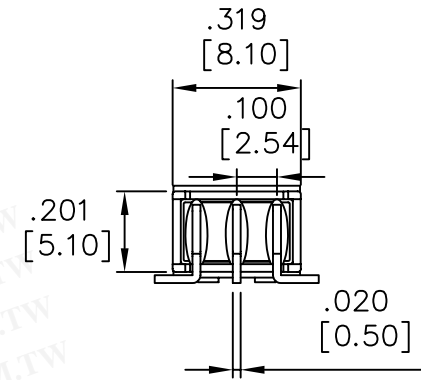
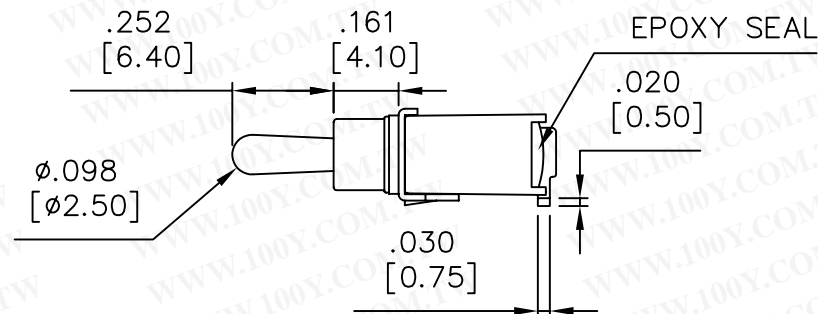
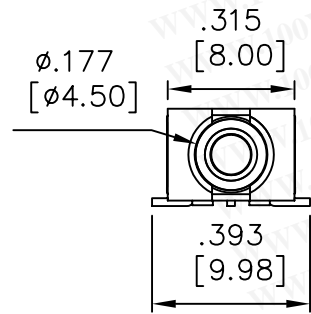
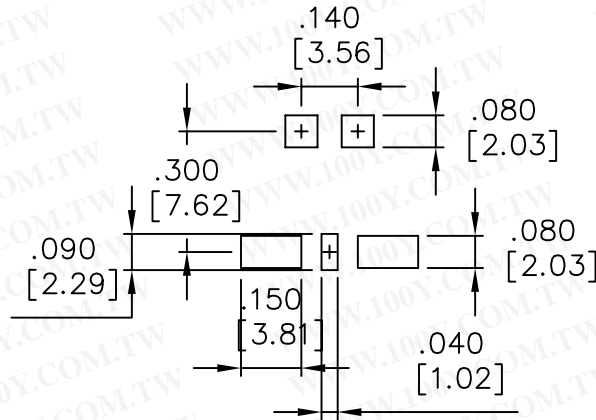


REV. 更改	DESCRIPTION 說明	ENG. 修改人	APPROVE 審核



P.C. MOUNTING



勝特力材料 886-3-5753170  
 胜特力电子(上海) 86-21-34970699  
 胜特力电子(深圳) 86-755-83298787  
[Http://www.100y.com.tw](http://www.100y.com.tw)

Model No.	Switching Position		
WMSP-1	ON	NONE	ON
WMSP-2	ON	NONE	(ON)
WMSP-3	ON	OFF	ON
WMSP-4	(ON)	OFF	(ON)
WMSP-5	ON	OFF	(ON)
Term. Comm.	2-3	OPEN	2-1

ITEM NO.	200B-WMSP-5-T2B4M6RE
料號	2BS5T2B4M6RE

SPECIFICATIONS:

- MOVABLE CONTACT: Copper alloy, gold plated over nickel plated
- TERMINALS: Copper alloy, gold plated over nickel plated
- RATING: 0.4VA max. @ 20V max. (AC or DC)
- CONTACT RESISTANCE: 20m-ohms max. initial
- INSULATION RESISTANCE: 1,000M-ohms min.
- DIELECTRIC STRENGTH: 1,500V RMS @ sea level
- ELECTRICAL LIFE: 30,000 make and break cycles at full load
- OPERATING TEMPERATURE: -30°C to +85°C

THESE DRAWINGS AND SPECIFICATIONS ARE THE PROPERTY OF TAIWAY ELECTRONICS LTD. AND SHALL NOT BE REPRODUCED COPIED OR USED IN ANY MANNER WITHOUT THE PRIOR WRITTEN CONSENT OF TAIWAY ELECTRONICS LTD.

UNLESS OTHERWISE SPECIFIED DIMENSIONS ARE IN MILLIMETERS ANGULAR TOLERANCE: ±1.0°

DIMENSIONS	TOLERANCE
0.00 TO 30.00mm	±0.20mm
30.01 TO 80.00mm	±0.25mm
80.01 TO 150.00mm	±0.30mm
150.01	±0.40mm

MATERIAL	
USED 用途	200B
FINISH 處理	
SCALE 比例	2 / 1
UNIT 單位	in(mm)
TITLE 名稱	Sealed Toggle Switches
DWG NO. 圖號	200B-WMSP5-T2B4M6RE
FILE NAME 檔案名稱	2BS5T26RE.DWG
SHEET 張	1 / 1
REV. 更改	1

APPD. 審核	Amy 2005/01/27
CHKD. 校對	Amy 2005/01/27
DR. 製圖	Amy 2005/01/27
SIZE 圖紙	A4
7支號	ER-013b