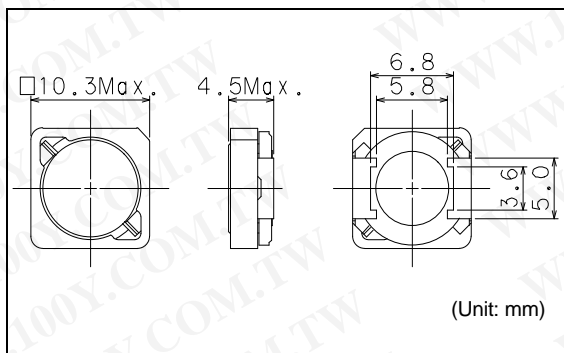


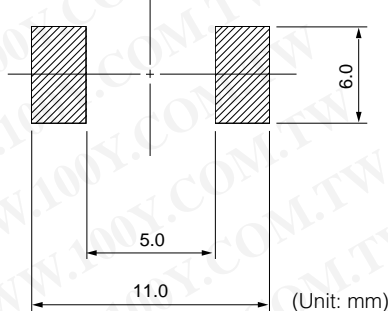
D104C

Inductance Range: 1.0~47μH



Recommended patterns

推荐焊盘尺寸



FEATURES 特点

- 10.3mm Max. square and 4.5mm Max. height.
- Magnetically shielded construction and low DC resistance.
- Suitable for large current.
- Ideal for DC-DC converter inductor applications in hand held personal computer etc.
- RoHS compliant.
- 最大10.3毫米的平面，最大高度4.5毫米
- 磁性屏蔽结构和低直流电阻
- 适合大电流
- 是适用于手提电脑以及其它设备的DC-DC转换器电感器的理想选择
- 符合RoHS指令

TOKO STANDARD PART NUMBERS 东光标准零件号码

TYPE D104C (Quantity/reel; 500 PCS)

东光零件号码	电感值 ⁽¹⁾	公差	最大直流电阻 ⁽²⁾	最大电感值减小电流 ⁽³⁾	最大温度上升电流 ⁽³⁾
TOKO Part Number	Inductance ⁽¹⁾ (μH)	Tolerance (%)	DC Resistance ⁽²⁾ (mΩ) Max.	Inductance Decrease Current ⁽³⁾ (A) Max. $\frac{\Delta L}{L} = 10\%$	Temperature Rise Current ⁽³⁾ ΔT=40°C (A) Max.
#919AS-1R0N	1.0	±30	5.9	13.6	9.7
#919AS-1R8N	1.8	±30	7.6	10.4	9.5
#919AS-2R8M	2.8	±20	10.7	8.3	6.1
#919AS-3R7M	3.7	±20	14.2	7.0	5.3
#919AS-4R7M	4.7	±20	16.2	6.1	5.2
#919AS-6R4M	6.4	±20	22.9	5.2	4.8
#919AS-100M	10.0	±20	26.5	4.3	4.5
#919AS-160M	16.0	±20	49.2	3.3	3.7
#919AS-220M	22.0	±20	77.6	3.0	2.5
#919AS-270M	27.0	±20	88.3	2.7	2.4
#919AS-330M	33.0	±20	102	2.4	2.1
#919AS-470M	47.0	±20	150	1.8	1.8

(1) Inductance is measured with a LCR meter 4284A (Agilent Technologies) or equivalent. Test frequency at 100kHz
 (2) DC resistance is measured with a Digital Multimeter TR6871 (Advantest) or equivalent.
 (3) Maximum allowable DC current is that which causes a 10% inductance reduction from the initial value, or coil temperature to rise by 40°C whichever is smaller. (Reference ambient temperature: 20°C)

(1) LCR仪表4284A (Agilent技术) 或者功能相同的仪器在100kHz下测试电感值。
 (2) 通过数码万用表TR6871 (Advantest) 或者相类似的工具测试直流电阻。
 (3) 允许最大直流电的范围是以下两者中比较小的一个: 引起电感值从最初值降低10%, 或者线圈温度升高40°C。(参考周围环境温度20°C)

勝特力材料 886-3-5753170
勝特力电子(上海) 86-21-34970699
勝特力电子(深圳) 86-755-83298787
[Http://www.100y.com.tw](http://www.100y.com.tw)