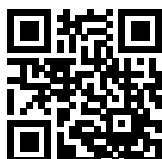


# General Purpose Power Entry Module with Switch



- Rated currents up to 10 A
- High quality 2-pole rocker switch
- Optional reduced leakage current versions (A/B type)
- Complies with IEC/EN 60601-1
- Snap-in versions (S type)
- Good attenuation performance



### Performance indicators

Attenuation performance



Rated current [A]



勝特力材料 886-3-5753170  
 勝特力电子(上海) 86-21-34970699  
 勝特力电子(深圳) 86-755-83298787  
[Http://www.100y.com.tw](http://www.100y.com.tw)

## Technical Specifications

<b>Maximum continuous operating voltage</b>	250 VAC, 50/60 Hz
<b>Operating frequency</b>	DC to 400 Hz
<b>Rated currents</b>	1 to 10 A @ 40°C max.
<b>High potential test voltage</b>	P → PE 2000 VAC for 2 sec (Standard) P → PE 2500 VAC for 2 sec (B-types) P → N 760 VAC for 2 sec
<b>Protection category</b>	IP 40 according to IEC 60529
<b>Protection category</b>	IP 40 according to IEC 60529
<b>Temperature range (operation and storage)</b>	-25°C to +85°C (25/85/21) -25°C to +85°C (25/85/21)
<b>Design corresponding to</b>	UL 60939-3, CSA Std C22.2 No. 8, IEC/EN 60939-3, GB/T15287, GB/T15288
<b>Flammability corresponding to</b>	UL 94 V-2 or better
<b>MTBF @ 40°C/230 V (Mil-HB-217F)</b>	≥ 616,000 hours
<b>Function</b>	2-pole, dark not illuminated Marking I – 0
<b>Electrical specifications</b>	Inrush current 100 A 50,000 on-off operations for 10 A according to EN 610581-1
<b>Switch ratings</b>	
<b>Europe (ENEC)</b>	10 A (4 A), 250 VAC* 5E4
<b>USA (UL)</b>	20 A, 125 VAC 1 HP; 250 VAC 2 HP;

\* Value in () relates to the inductive current charge:  $\cos\phi = 0.65$

### Approvals & Compliances



### Features and Benefits

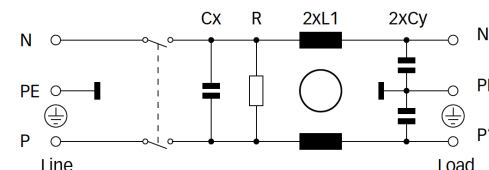
- Excellent conducted attenuation performance, based on chokes with high saturation resistance and good thermal behavior
- High quality 2-pole rocker switch for all-pole disconnection
- Faston terminals for easy assembly
- FN 9264 B versions comply with the requirements of IMOP acc. to IEC/EN 60601-1 for creepage and clearance, leakage current and high potential testing
- As flange mount and snap-in types available

### Typical Applications

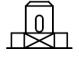
- Portable electrical and electronic equipment
- EDP and office equipment
- Single-phase power supplies
- Switch-mode power supplies
- Test and measurement equipment
- Medical electrical devices (MD) and In-Vitro Diagnostic (IVD) medical devices

### Typical electrical schematic

Standard types and B types



### Filter Selection Table

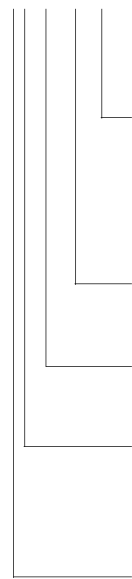
Filter	Rated current @ 40°C (25°C)  [A]	Leakage current* @ 250 VAC/50 Hz (@120 VAC/60Hz)  [mA]	Inductance** L  [mH]	Capacitance**		Resistance** R  [kΩ]	Output connections  	Weight  [g]
				Cx  [μF]	Cy  [nF]			
<b>FN 9264xx-1-06-y</b>	1 (1.2)	0.31 (0.18)	5.15	0.1	2.2	1000	-06	55
<b>FN 9264xx-2-06-y</b>	2 (2.3)	0.31 (0.18)	2.7	0.1	2.2	1000	-06	55
<b>FN 9264xx-3-06-y</b>	3 (3.6)	0.31 (0.18)	2		2.2	1000	-06	55
<b>FN 9264xx-4-06-y</b>	4 (4.6)	0.31 (0.18)	1	0.1	2.2	1000	-06	55
<b>FN 9264xx-6-06-y</b>	6 (6.9)	0.31 (0.18)	0.3	0.1	2.2	1000	-06	55
<b>FN 9264xx-10-06-y</b>	10 (11.5)	0.31 (0.18)	0.21	0.1	2.2	1000	-06	55

\* Leakage current under normal operating conditions (acc. to IEC60939-3). Note: if the neutral line is interrupted, worst case leakage could reach twice this level.

\*\* Tolerances apply: Inductance: -30/+50%, Capacitance: ±20%, Resistance: ±10%

### Product selector

FN 9264xx-yy-yy-y



Snap-in range for S version only

Blank: Snap-in panel thickness range 1.0 to 2.5 mm


30: Snap-in panel thickness range >2.5 to 3.5 mm


06: Faston 6.3 x 0.8mm (spade/soldering)

1 to 10: Rated current

Blank: Standard version

B: Medical version (without Y2-capacitor, leakage current max 2μA\*)

 Blank: Standard housing with mounting flanges

 S: Snap-in version, snapper on vertical side

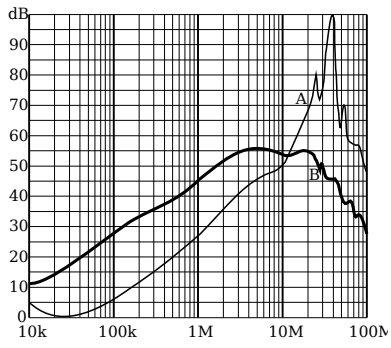
**勝特力材料 886-3-5753170**  
**勝特力电子(上海) 86-21-34970699**  
**勝特力电子(深圳) 86-755-83298787**  
[Http://www.100y.com.tw](http://www.100y.com.tw)

For example: FN 9264-1-06, FN 9264 B-6-06, FN 9264 SB-4-06-30

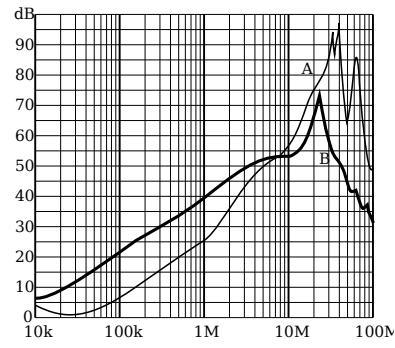
## Typical Filter Attenuation

Per CISPR 17; A=50 Ω/50 Ω sym; B=50 Ω/50 Ω asym

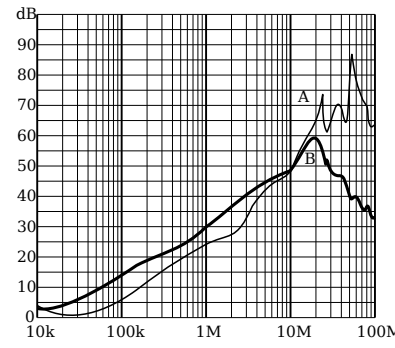
1 A Standard types



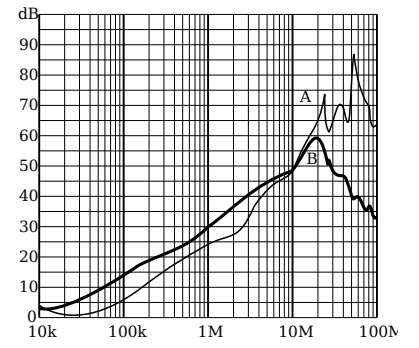
2 A Standard types



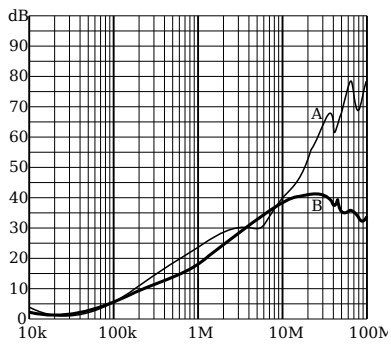
3 A Standard types



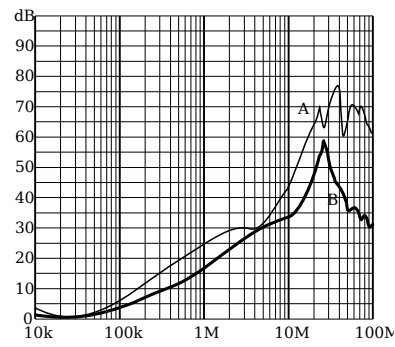
4 A types



6 A Standard types

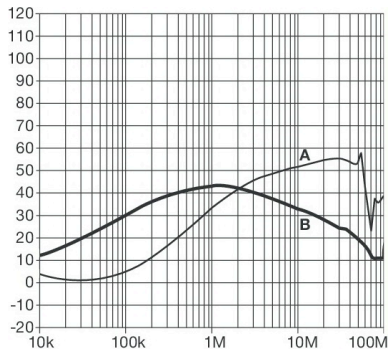


10 A Standard types

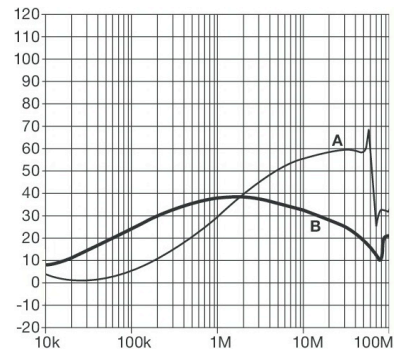


勝特力材料 886-3-5753170  
 勝特力电子(上海) 86-21-34970699  
 勝特力电子(深圳) 86-755-83298787  
[Http://www.100y.com.tw](http://www.100y.com.tw)

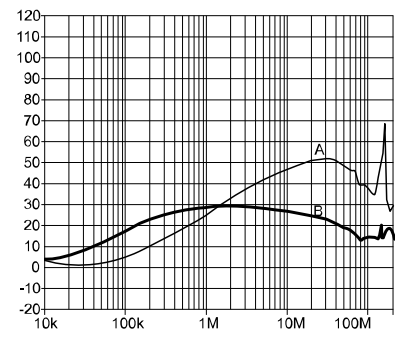
1 A B-types



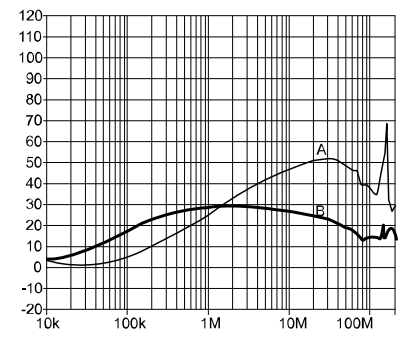
10 A Standard types



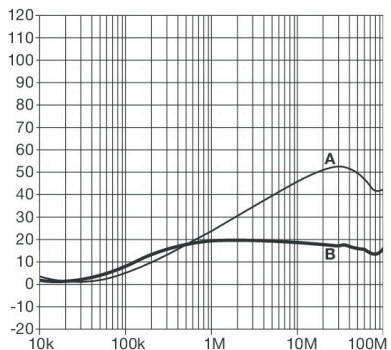
3 A B-types



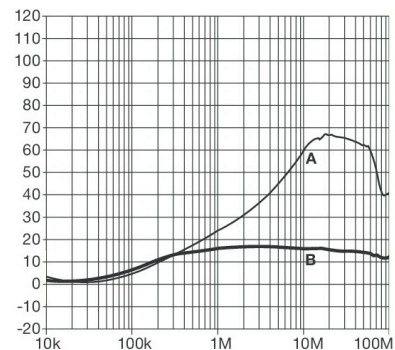
4 B types



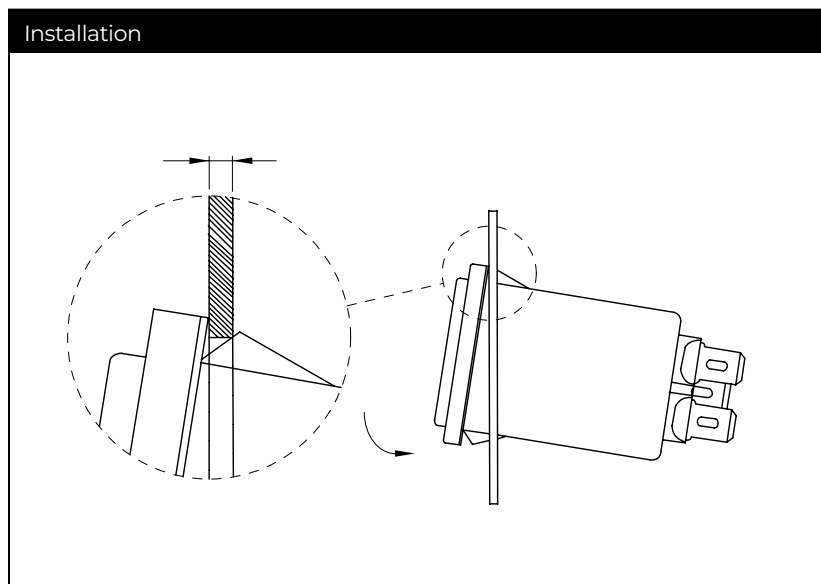
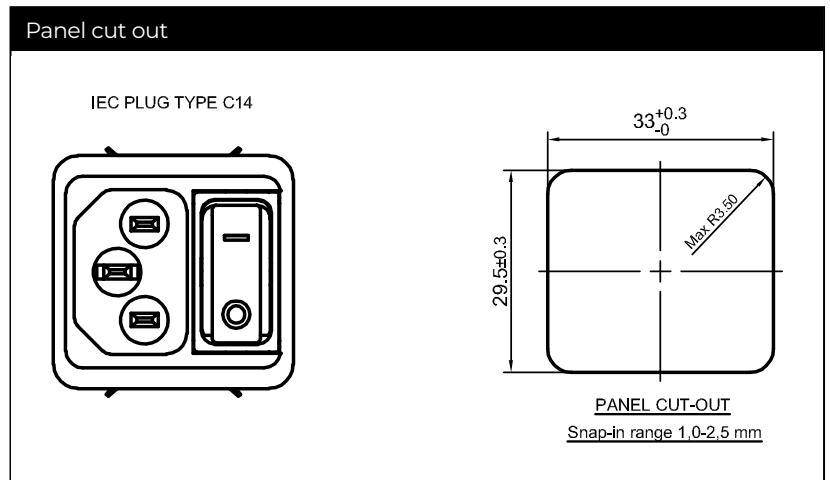
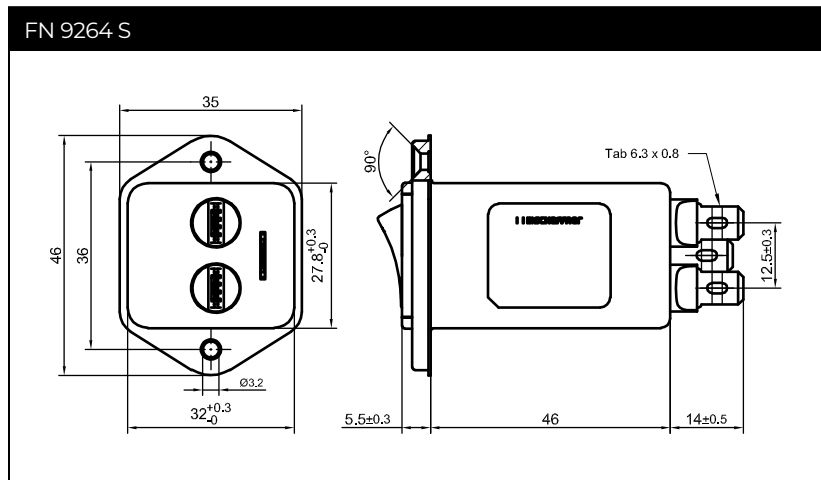
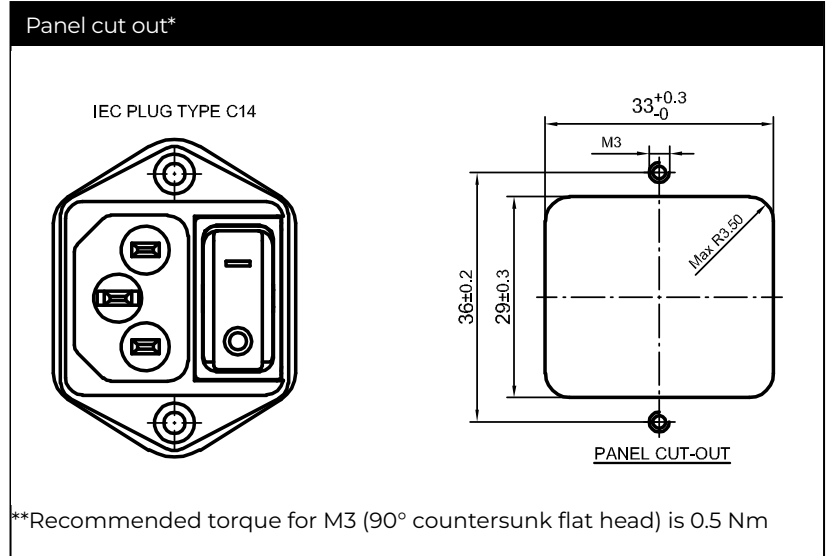
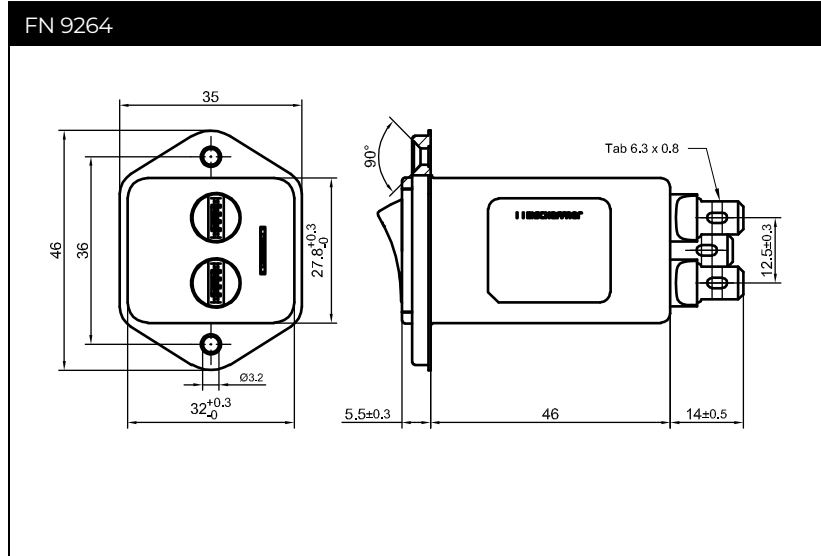
6 A B-types



10 A B-types



### Mechanical Data



勝特力材料 886-3-5753170  
 勝特力电子(上海) 86-21-34970699  
 勝特力电子(深圳) 86-755-83298787  
[Http://www.100y.com.tw](http://www.100y.com.tw)

## Accessories

### Power Cord with angled Locking System C13



- Protects appliances that are vulnerable to vibration
- Connector cannot be accidentally pulled or vibrated out of the inlet
- Space availability/constraints
- Different angles for ease of access
- Space saving
- Release locking mechanism
- Prevents accidental disconnection

[Technical Data Sheet >](#)

勝特力材料 886-3-5753170  
 勝特力电子(上海) 86-21-34970699  
 勝特力电子(深圳) 86-755-83298787  
[Http://www.100y.com.tw](http://www.100y.com.tw)

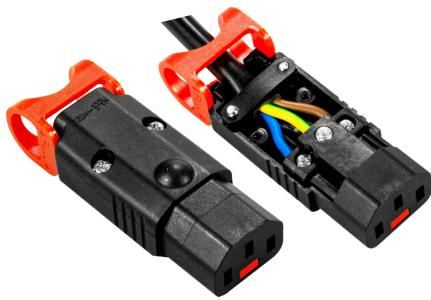
### IL 13P IEC C13 Rewireable Angled Connectors with Locking System



- Protects appliances that are vulnerable to vibration
- Connector cannot be accidentally pulled or vibrated out of the inlet
- Space availability/constraints
- Different angles for ease of access
- Space saving
- Release locking mechanism
- Prevents accidental disconnection

[Technical Data Sheet >](#)

### IL 13P IEC C13 Rewireable Connectors with Locking System



The locking system has a tensile force of typical 300N. It is recommended to use it with flange mount filters. For details refer to our Application Note "Using IEC Lock Power Cords with IEC Inlets and Filters".

Schaffner power connector with IEC lock guard against accidental disconnection of all electrical appliances with an IEC inlet. No exchange or modification of the IEC inlet or IEC inlet filter system is needed. Easy retrofit .for all electronic equipments and devices

[Technical Data Sheet >](#)