



1. Specifications & Dimension

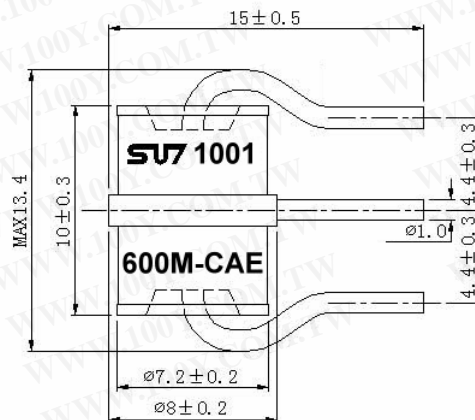
1.1. Parts No.:

ARR-MM600M-CAE

1.2. Specifications:

- DC Breakdown Voltage: $600V \pm 20\%$ (@rising voltage 100V/s)
- Surge Breakdown Voltage: $\leq 1200V$ (@rising voltage 1000V/ μ s)
- Life Tests:
 - AC Discharge Current: 10A (5 times, 1s per time with 3mins interval)
 - Surge Discharge Current:
 - 100A (10/1000 μ s, 300times with 3mins interval)
 - 10kA (8/20 μ s, 10times with 3mins interval)
- Insulation Resistance: $\geq 10000M\Omega$
- Electrode Capacitance: ≤ 1.5 pF (@1MHz)

1.3. Dimension: (unit:mm)



勝特力材料 886-3-5753170
勝特力电子(上海) 86-21-34970699
勝特力电子(深圳) 86-755-83298787
[Http://www.100y.com.tw](http://www.100y.com.tw)