

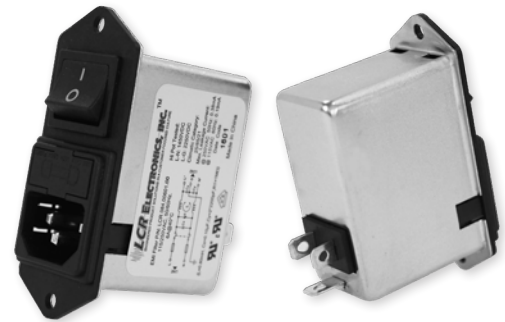
084(M)

勝特力電材超市-龍山店 886-3-5773766
 勝特力電材超市-光復店 886-3-5729570
 勝特力電子(上海) 86-21-34970699
 勝特力電子(深圳) 86-755-83298787
<http://www.100y.com.tw>

FILTERED POWER ENTRY MODULES WITH DOUBLE FUSE HOLDER AND SWITCH (GENERAL PURPOSE & MEDICAL)

FEATURES

- » Rated currents include **1A, 3A, 6A, and 10A**
- » Single Stage
- » Available with quick disconnect tabs and wire leads options
- » General Purpose & Low Leakage (M)edical options
- » Compact integrated power entry module with two safety fuses (on line and neutral) and on/off switch
- » Easy to use and install
- » Agency Approved to *UL and EN 60939, CSA C22.2*
- » Y-cap value can be adjusted



SPECIFICATIONS

OPERATING FREQUENCY	50/60Hz
IEC INLET	C14
MAX. OPERATING VOLTAGE	250VAC +10%
CLIMATIC CATEGORY	25/85/21
TERMINALS (-T)	0.25" TABS W: WIRE LEADS
TYP. WEIGHT, LBS (KG)	0.19 (0.08)

TYPICAL LEAKAGE CURRENT 080

@ 250 VAC 50 Hz	0 - 0.42 mA Max.
@ 115 VAC 60 Hz	0 - 0.23 mA Max.

TYPICAL LEAKAGE CURRENT 080M

@ 250 VAC 50 Hz	0 - 10uA Max.
@ 115 VAC 60 Hz	0 - 5uA Max.

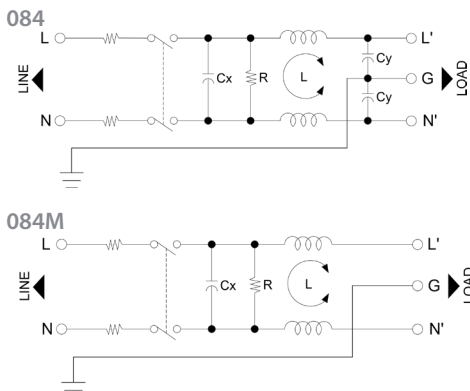
HIPOT RATINGS

LINE TO LINE	1450 VDC
LINE TO GROUND	2250 VDC

TYPICAL APPLICATIONS

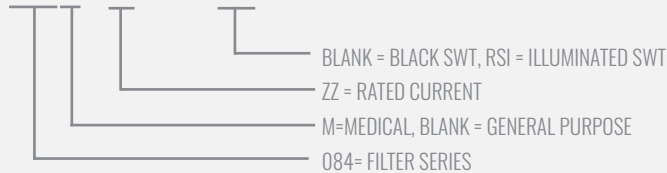
- ✓ Household appliances and equipment
- ✓ Small medical equipment
- ✓ Portable electrical and electronic equipment
- ✓ Test and measurement/lab equipment
- ✓ Rack mounted equipment

ELECTRICAL SCHEMATIC



HOW TO ORDER

084M.0ZZ01.00-RS1



NOTE: USE ANY COMBINATOR OF M, ZZ AND T

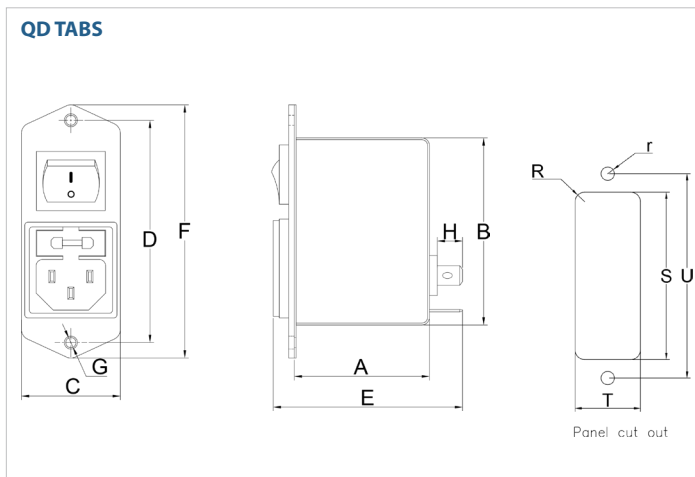
E.G. **084.00601.00-RS1** (6A GENERAL PURPOSE VERSION WITH ILLUMINATED SWITCH) | **084M.01001.00** (10A LOW LEAKAGE MEDICAL VERSION)

084(M)

FILTERED POWER ENTRY MODULES WITH DOUBLE FUSE HOLDER AND SWITCH (GENERAL PURPOSE & MEDICAL)

MODEL NO.	RATED CURRENT, A @ 40° C	TERMINAL OPTIONS	APPLICATION PURPOSE		MAX. DIMENSIONS" (MM)		
		(QD) OUTPUT	GENERAL	MEDICAL	WIDTH	(LENGTH)	HEIGHT
084.00101.00	1	✓	✓		2.39"(61)	1.72"(44)	1.26"(32)
084.00101.00-RSI	1	✓	✓		2.39"(61)	1.72"(44)	1.26"(32)
084.00301.00	3	✓	✓		2.39"(61)	1.72"(44)	1.26"(32)
084.00301.00-RSI	3	✓	✓		2.39"(61)	1.72"(44)	1.26"(32)
084.00601.00	6	✓	✓		2.39"(61)	1.72"(44)	1.26"(32)
084.00601.00-RSI	6	✓	✓		2.39"(61)	1.72"(44)	1.26"(32)
084.01001.00	10	✓	✓		2.39"(61)	1.72"(44)	1.26"(32)
084.01001.00-RSI	10	✓	✓		2.39"(61)	1.72"(44)	1.26"(32)
084M.00101.00	1	✓		✓	2.39"(61)	1.72"(44)	1.26"(32)
084M.00101.00-RSI	1	✓		✓	2.39"(61)	1.72"(44)	1.26"(32)
084M.00301.00	3	✓		✓	2.39"(61)	1.72"(44)	1.26"(32)
084M.00301.00-RSI	3	✓		✓	2.39"(61)	1.72"(44)	1.26"(32)
084M.00601.00	6	✓		✓	2.39"(61)	1.72"(44)	1.26"(32)
084M.00601.00-RSI	6	✓		✓	2.39"(61)	1.72"(44)	1.26"(32)
084M.01001.00	10	✓		✓	2.39"(61)	1.72"(44)	1.26"(32)
084M.01001.00-RSI	10	✓		✓	2.39"(61)	1.72"(44)	1.26"(32)

084(M) MECHANICAL OUTLINES (MM)



SERIES	(A)	B	C	D	E	F	G	H	U	S	T	R	r
QD TABS (A)	1.72" (44)	2.39" (61)	1.26" (32)	2.83" (72)	2.40" (61)	3.23" (82)	2*4.0	0.35" (9)	2.83" (72)	2.40" (61)	1.18" (30)	0.10" (3)	0.17" (4)

TYPICAL TOLERANCE: +/-0.02" (0.50MM)

084(M)

勝特力電材超市-龍山店 886-3-5773766
 勝特力電材超市-光復店 886-3-5729570
 勝特力電子(上海) 86-21-34970699
 勝特力電子(深圳) 86-755-83298787
<http://www.100y.com.tw>

FILTERED POWER ENTRY MODULES WITH DOUBLE FUSE HOLDER AND SWITCH (GENERAL PURPOSE & MEDICAL)

TYPICAL INSERTION LOSS, dB (50/50 Ohm)

084 INSERTION LOSS

Amps	Freq (MHz)	0.15	0.5	1	10	30
1	CM (dB)	41.0	53.0	56.0	55.0	50.0
	DM (dB)	18.0	28.0	32.0	50.0	50.0
3	CM (dB)	37.0	49.0	51.0	50.0	50.0
	DM (dB)	18.0	28.0	32.0	50.0	50.0
6	CM (dB)	25.0	35.0	38.0	48.0	45.0
	DM (dB)	18.0	28.0	32.0	50.0	50.0
10	CM (dB)	18.0	26.0	28.0	42.0	40.0
	DM (dB)	18.0	28.0	32.0	50.0	50.0

084M INSERTION LOSS

Amps	Freq (MHz)	0.15	0.5	1	10	30
1	CM (dB)	41.0	49.0	51.0	27.0	17.0
	DM (dB)	18.0	28.0	32.0	50.0	50.0
3	CM (dB)	37.0	45.0	43.0	23.0	15.0
	DM (dB)	18.0	28.0	32.0	50.0	50.0
6	CM (dB)	25.0	31.0	33.0	23.0	15.0
	DM (dB)	18.0	28.0	32.0	50.0	50.0
10	CM (dB)	18.0	24.0	26.0	10.0	8.0
	DM (dB)	18.0	28.0	32.0	50.0	50.0