

LEISTER Heater Labo 34 without electronic

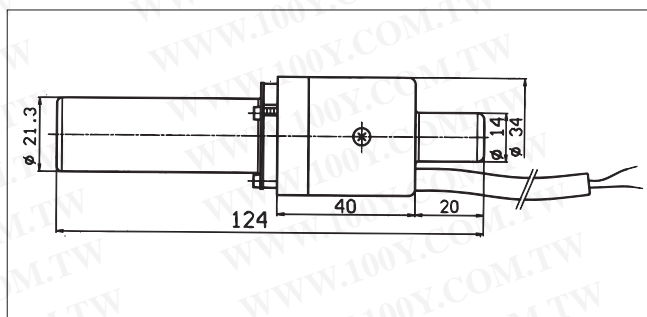


Technical data Heater Labo 34



Voltage	V~	230
Frequency	Hz	50/60
Power consumption	W	800
Max. temperature	°C	650
Min. Air flow	l/min.	100
Heater tube stainless steel	mm	ø 22
Air inlet	mm	ø 14
Air outlet	mm	ø 22
Weight	g	100
Size (ø × L)	mm	ø 34 × 124

Installation dimensions in mm



勝特力材料 886-3-5753170
 勝特力电子(上海) 86-21-54151736
 勝特力电子(深圳) 86-755-83298787
[Http://www.100y.com.tw](http://www.100y.com.tw)

LEISTER Heater 700 Temperature electronically controlled up to 600° C

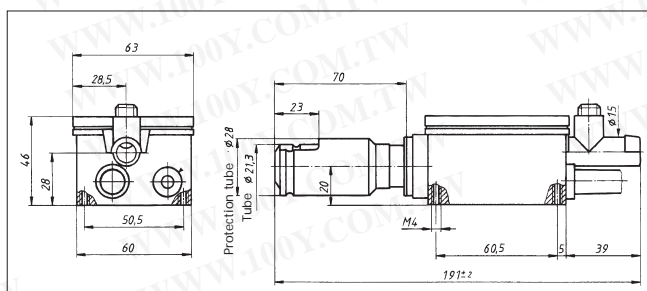


Technical data Heater 700



Voltage	V~	220-230	120
Frequency	Hz	50/60	50/60
Power consumption	W	800	550
Max. temperature	°C	600	600
Min. Air flow	l/min.	100	80
Heater tube stainless steel	mm	ø 21.3	
Protection tube stainless steel	mm	ø 28	
Air inlet	mm	ø 15	
Air outlet	mm	ø 13	
Weight	g	260	
Size (L × W × H)	mm	191 × 63 × 46	
Approval mark			

Installation dimensions in mm



Combination possibilities

LEISTER Heater Labo 34 with ROBUST blower at max. heating capacity			
Blower Type	Heater LABO 34	Hot air temperature 3 mm in front of the air outlet of the heater with 3 mm hose length and blower running at full capacity without nozzle	
	Number × Wattage	Air flow l/min. at 20°C	Temperature in °C
ROBUST	1 × 800	1 × 140	450
ROBUST	2 × 800	2 × 120	520

Air flow and temperature details are standard values which can be affected by external influences.

勝特力材料 886-3-5753170
勝特力电子(上海) 86-21-54151736
勝特力电子(深圳) 86-755-83298787
[Http://www.100y.com.tw](http://www.100y.com.tw)

Combination possibilities

LEISTER Heater 700 with ROBUST blower at max. heating capacity			
Blower Type	Hot Air Tool 700	Hot air temperature 3 mm in front of the air outlet of the hot air tool with 3 mm hose length and blower running at full capacity without nozzle	
	Number × Wattage	Air flow l/min. at 20°C	Temperature in °C controllable
ROBUST	1 × 800	1 × 140	450
ROBUST	2 × 800	2 × 120	520

Air flow and temperature details are standard values which can be affected by external influences.

Order Number	Illustration not to scale	Accessories	Heater
107.282		Flange connector, push-fit on protection tube	700 Labo 34
107.311		Sieve reflector 50 × 35 mm for shrinking of sleeves and formed parts in PVC and PTFE, push-fit	700 Labo 34
107.144		Round nozzle ø 5 mm, push-fit	700
107.145		Round nozzle ø 10 mm, push-fit	700
107.152		De-soldering nozzle ø 12 mm, for de-soldering IC's as well as shrinking of sleeves and moulded parts in PVC, PTFE, FEP ect., push-fit	700
On request		Special de-soldering nozzles for SMD components, push-fit	700
107.310		Sieve reflector 20 × 35 mm for shrinking of sleeves and moulded parts in PVC and PTFE, push-fit	700
107.324		Sieve reflector ø 10 mm for soldering shrink solder connections and shrinking of PVC, PTFE, FEP sleeves. Push-fit on ø 5 mm round nozzle	700
107.299		Air flow off/on switch The air supply is interrupted on command (pneumatic 5 bar) to the heaters. The electronic heater switches off the heat immediately the air flow is stopped. Push-fit on Robust blower Size 214 × 88 × 133	700

Special nozzles on request