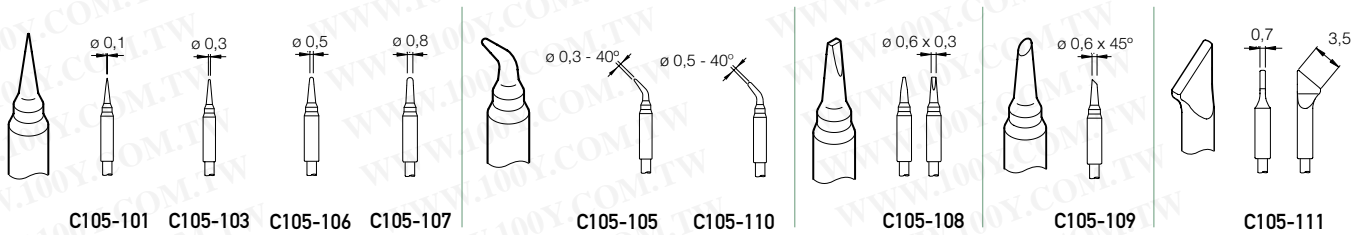


Cartridges

E 1:1

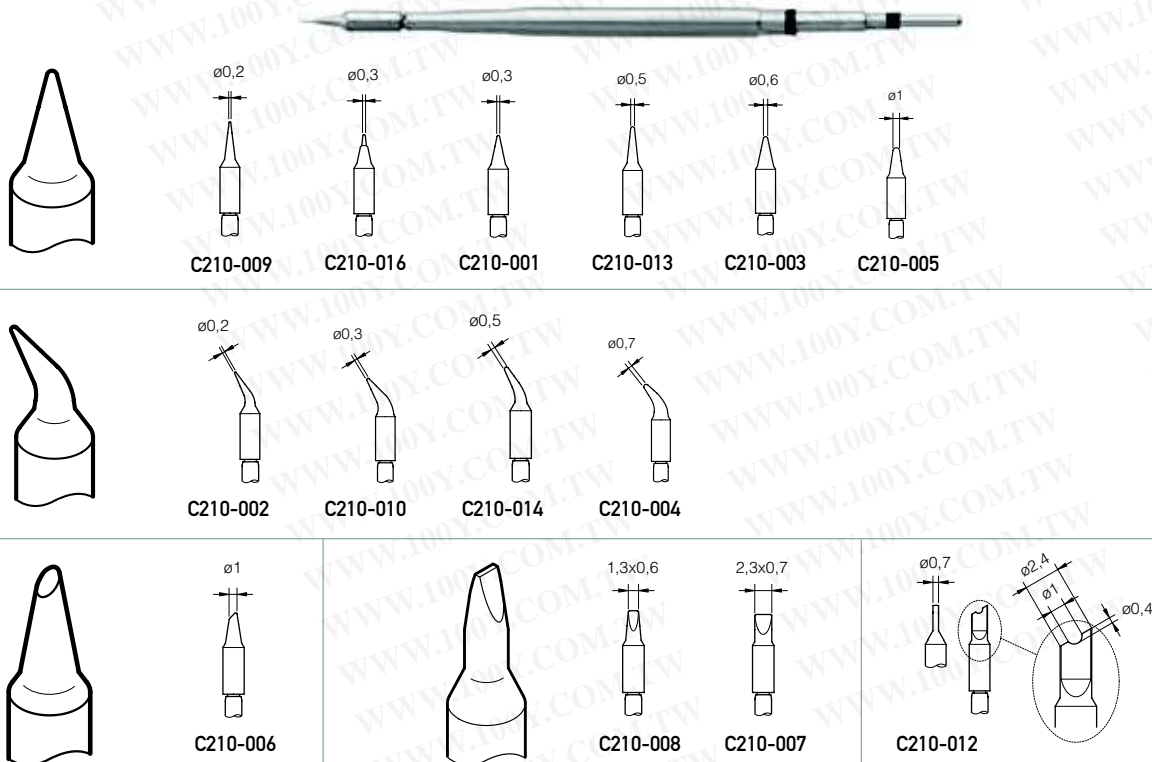
C105 Cartridges with Standard life tip for iron NA

Galvanic treatment of **Standard life** tips offers outstanding thermal performance and long duration.



C210 Cartridges with Standard Life tips for T210 handpiece

Galvanic treatment of **Standard life** tips offers outstanding thermal performance and long duration.



E 1:1

Cartridges

E 1:1

C120 Cartridges with **Standard Life** tips for microtweezers PA handpiece

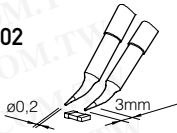
Galvanic treatment of **Standard life** tips offers outstanding thermal performance and long duration.



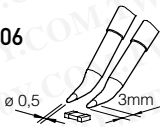
CHIPS COMPONENTS

DUAL IN LINE

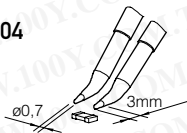
C120-002



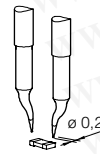
C120-006



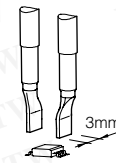
C120-004



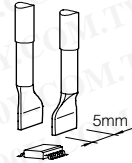
C120-001



C120-003



C120-005



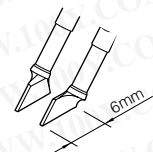
C120-007

C120-008



C120-009

C120-010

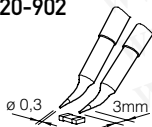


C120 Cartridges with **Extended Life** tips for microtweezers PA handpiece

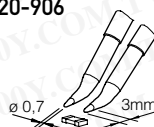
Reinforced galvanic treatment of these tips offer longer duration especially for lead-free soldering applications.

CHIPS COMPONENTS

C120-902



C120-906



Supplied individually

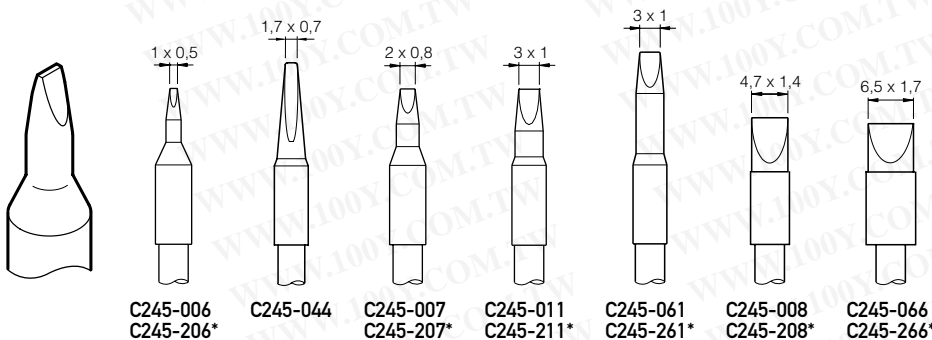
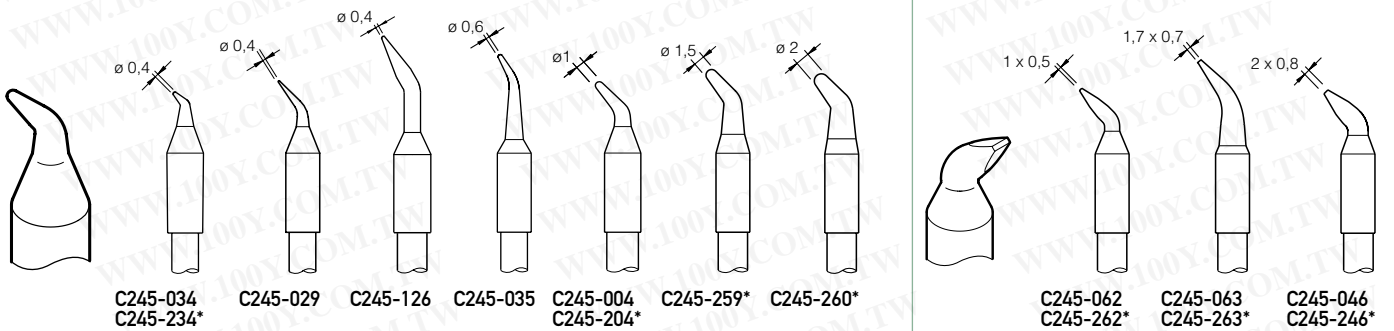
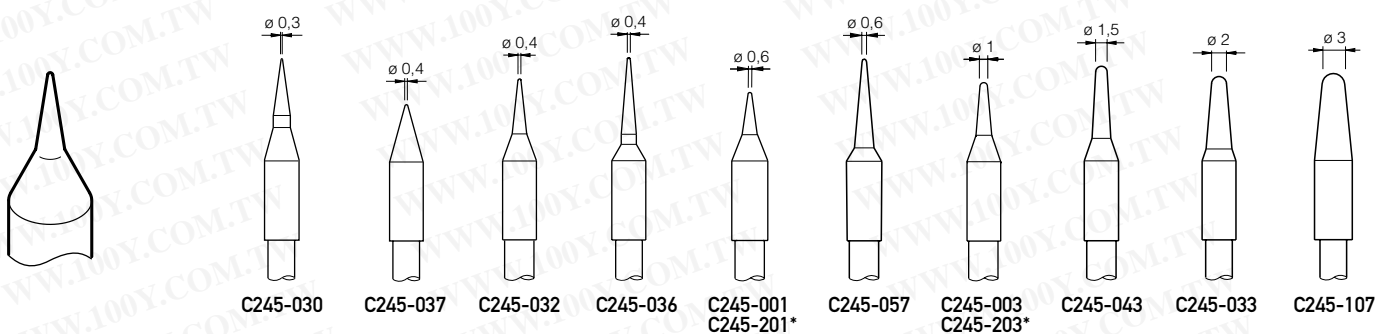
E 1:1

Cartridges

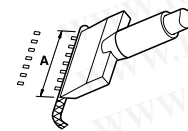
E 1:1

C245 Cartridges with Standard Life tips for T245 handpiece

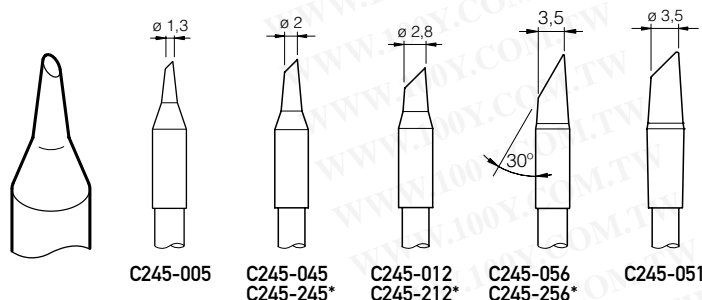
Galvanic treatment of Standard life tips offers outstanding thermal performance and long duration.



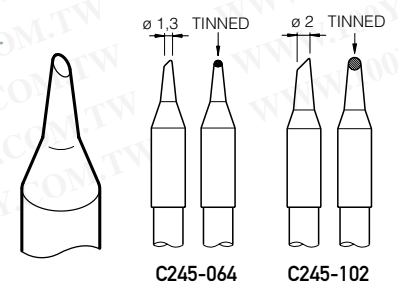
BLADE TYPE



C245-014 A=10
C245-013 A=21
C245-049 A=32



Hoof tip with reduced tinned surface, ideal for touch-up:



E 1:1

www.jbctools.com

*These cartridges are 20mm longer than normal cartridges for easy access to applications difficult to reach.

C245 Cartridges with Standard Life tips for T245 handpiece

E 1:1

Galvanic treatment of Standard life tips offers outstanding thermal performance and long duration.

MINI SPOON



C245-065 ØA=1.8
C245-038 ØA=3.7
C245-031 ØA=2.6



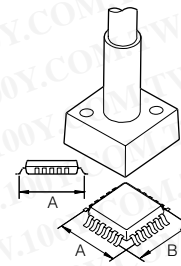
C245-067

CHIP COMPONENTS



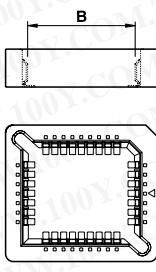
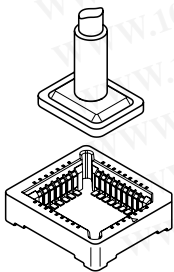
C245-016 A=1.9
C245-017 A=2.2
C245-018 A=3.4
C245-019 A=4.5

QFP Y PLCC



C245-223* A=8,5 B=8,5
C245-224* A=12,0 B=12,0
C245-228* A=12,4 B=15,0
C245-315* A=15 B=15,0
C245-227* A=17,5 B=17,5

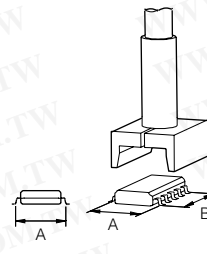
FOR PLCC SOCKETS



C245-248
N. of contact positions= 32
A=11,9 B=14,5

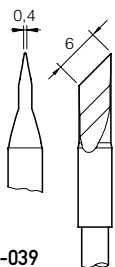
C245-247
N. of contact positions= 44
A=17,0 B=17,0

DUAL IN LINE

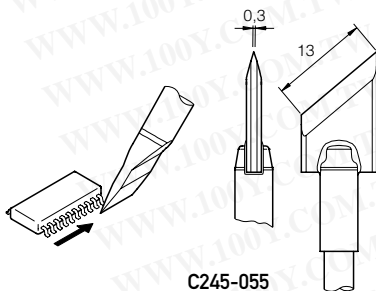


C245-303* A=6,5 B=6,0
C245-220* A=5,4 B=6,0
C245-250* A=5,4 B=8,0
C245-221* A=5,4 B=10,0
C245-222* A=7,5 B=13,5
C245-306* A=9,6 B=10,0
C245-305* A=9,6 B=12,0
C245-304* A=9,6 B=15,0
C245-215* A=9,6 B=18,0
C245-226* A=14,6 B=28,4

BEVEL EDGE TIPS

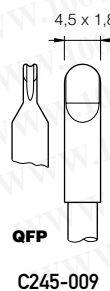


C245-039

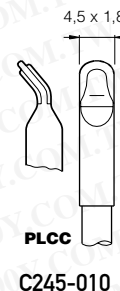


C245-055

CARTRIDGES TO SOLDER SMT IC



QFP
C245-009



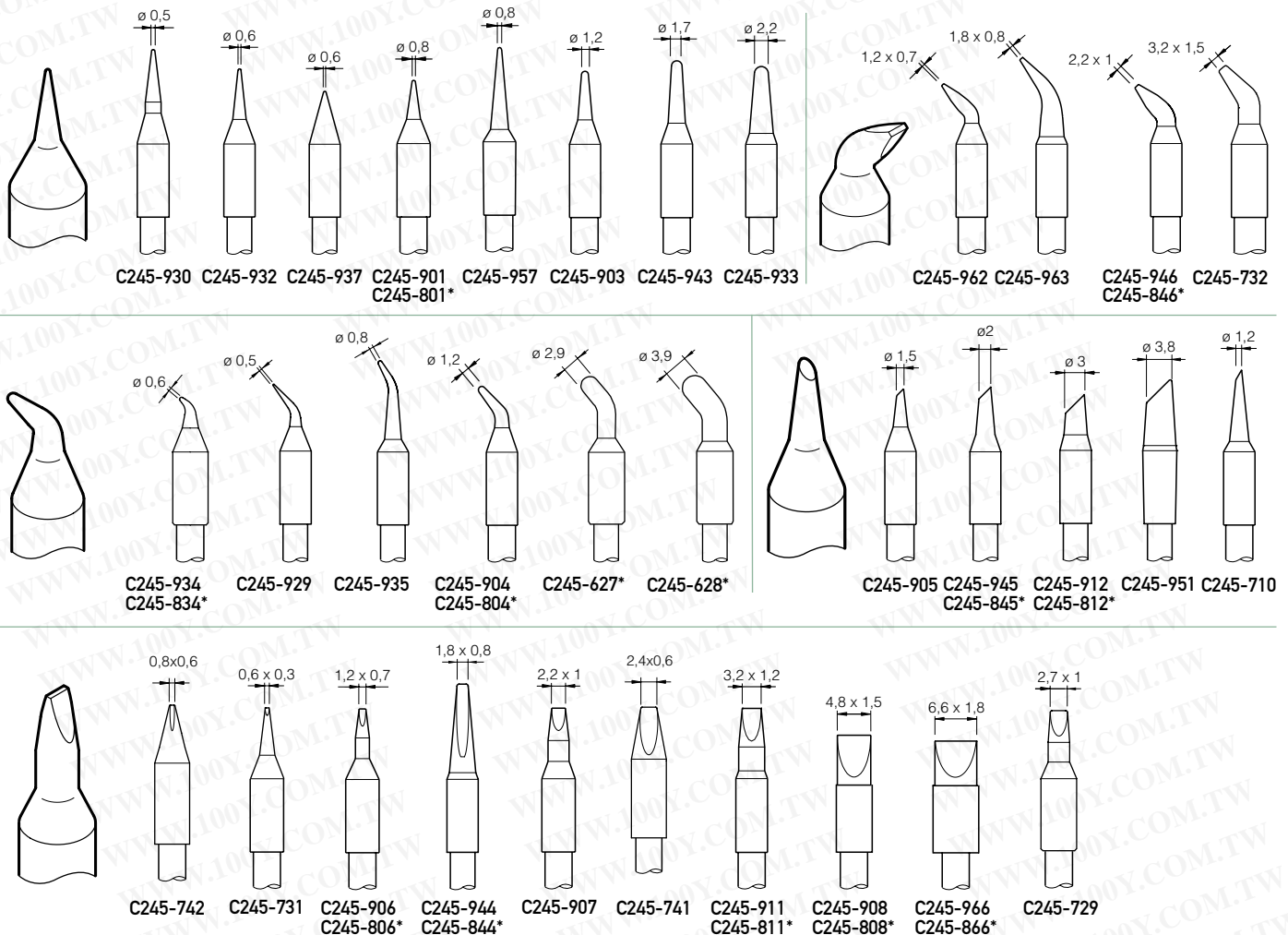
PLCC
C245-010

E 1:1

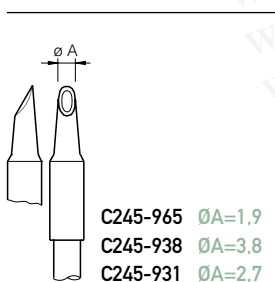
C245 Cartridges with Extended Life tips for T245 handpiece

E 1:1

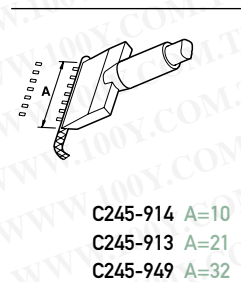
Reinforced galvanic treatment of these tips offer longer duration especially for lead-free soldering applications.



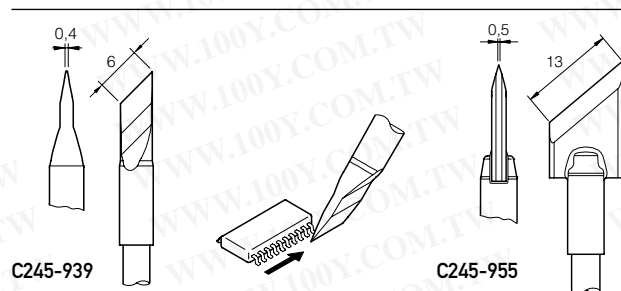
MINI SPOON



BLADE TYPE



BEVEL EDGE TIPS



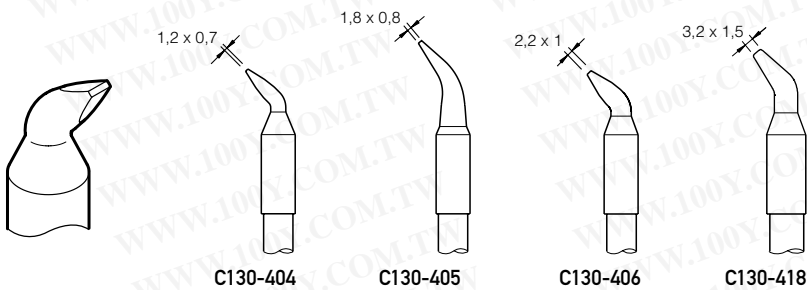
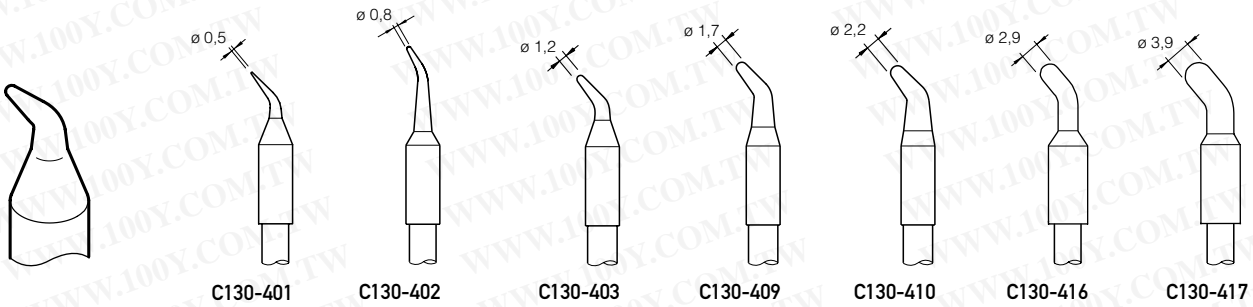
E 1:1

Cartridges

E 1:1

C130 Cartridges with **Extended life** tip for solder feed AP iron

Reinforced galvanic treatment of these tips offer longer duration especially for lead-free soldering applications.



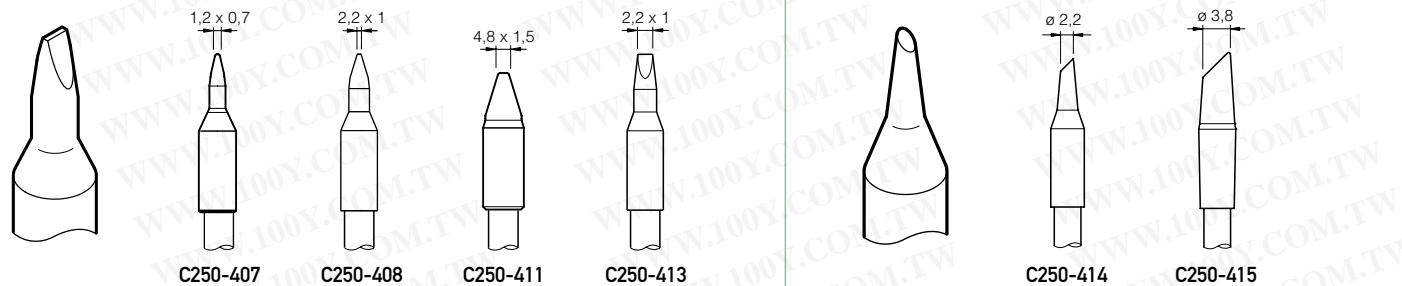
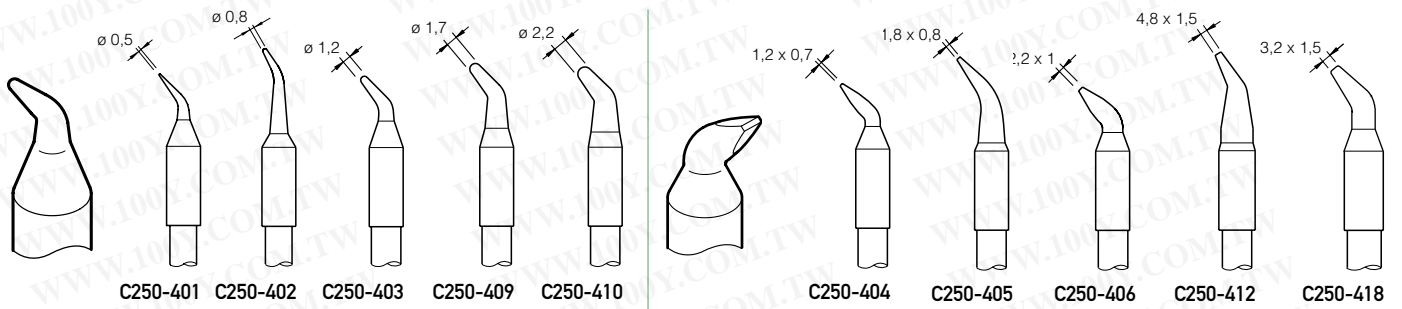
E 1:1

Cartridges

E 1:1

C250 Cartridges with Extended life tip for AL iron

Reinforced galvanic treatment of these tips offer longer duration especially for lead-free soldering applications.



E 1:1

Cartridges

E 1:1

C420 Cartridges with Standard Life tips for HT tweezers

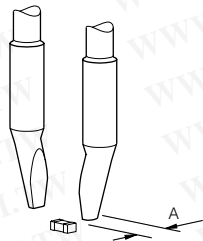
Galvanic treatment of Standard life tips offers outstanding thermal performance and long duration.



CHIPS COMPONENTS

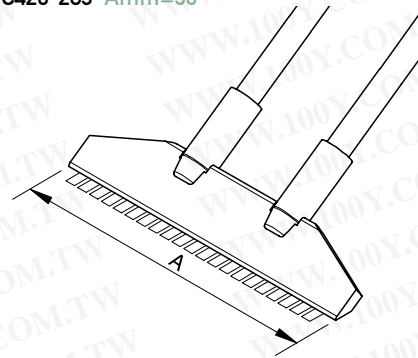
C420-271 Amm=1,5

C420-272 Amm=2,6



BLADE TYPE

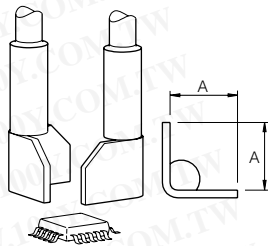
C420-283 Amm=50



QFP Y PLCC

C420-279 Amm=8,0

C420-280 Amm=11,0



DUAL IN LINE

C420-273 Amm=4,0

C420-274 Amm=6,0

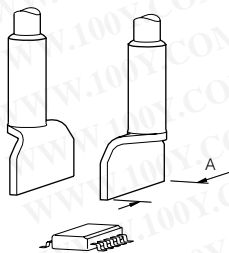
C420-275 Amm=8,0

C420-276 Amm=10,0

C420-277 Amm=15,0

C420-278 Amm=20,0

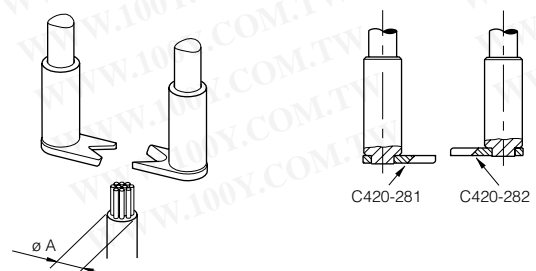
C420-285 Amm=22,0



CABLE STRIPPER

C420-281 Amm=3,5 max.

C420-282 Amm=3,5 max.

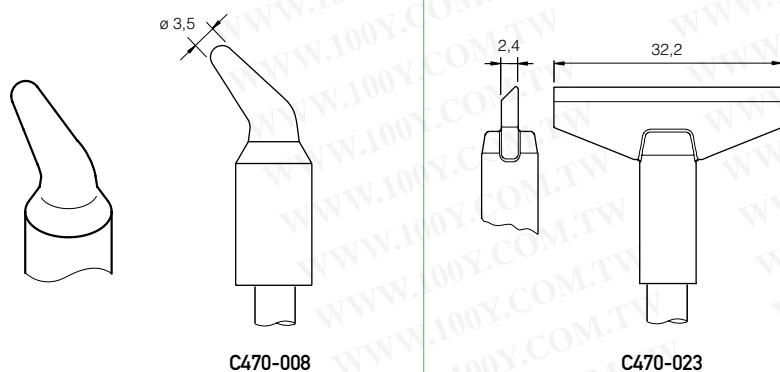
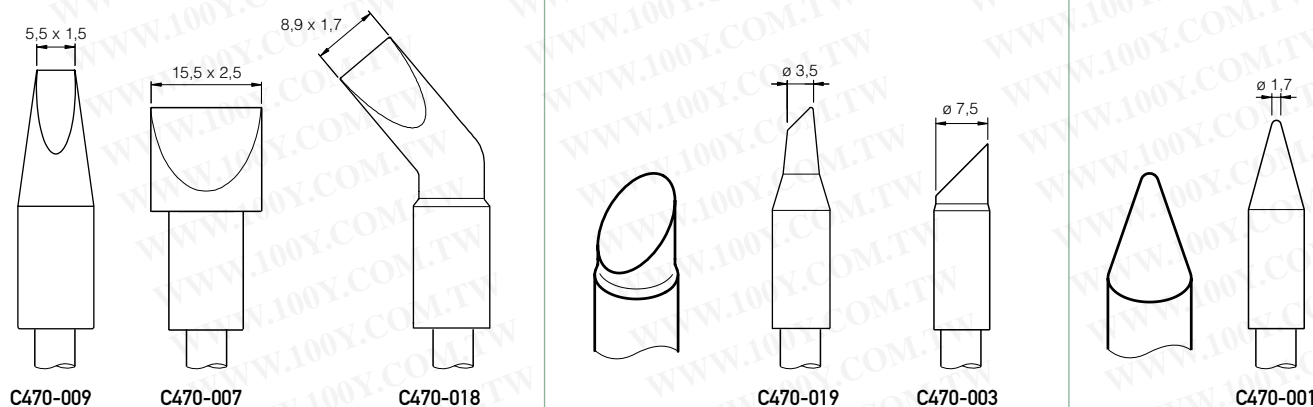
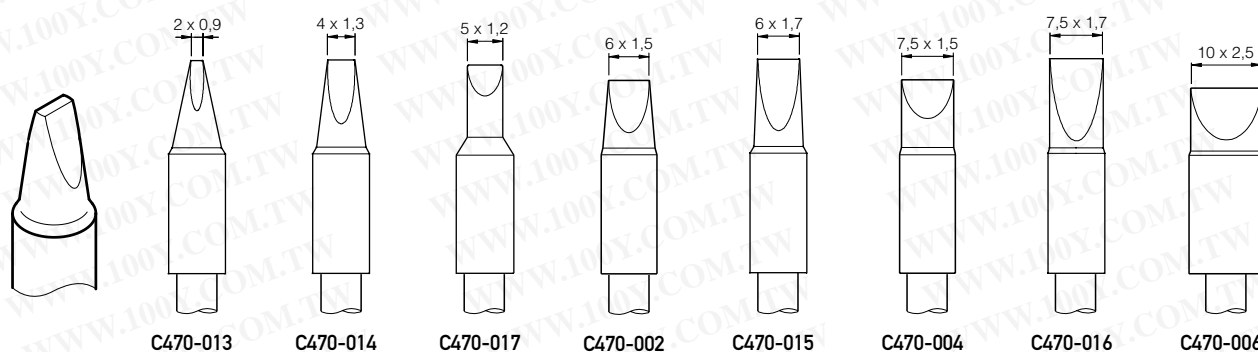


Supplied individually

E 1:1

C470 Cartridges **Extended life** for iron T245 with HD station

Galvanic treatment of these tips are reinforced with regards to the standard ones, providing a highest duration lasting, specially in lead free processes above all.

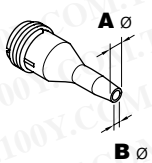


Desoldering tips

E 1:1

C360 Tips Standard Life for Microdesoldering DS iron

Galvanic treatment of **Standard life** tips offers outstanding thermal performance and long duration.



C360-001



$\varnothing A=1$
 $\varnothing B=0,6$
 $\varnothing \text{max. pin}=0,4$

C360-002



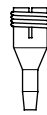
$\varnothing A=1,2$
 $\varnothing B=0,8$
 $\varnothing \text{max. pin}=0,6$

C360-003



$\varnothing A=1,4$
 $\varnothing B=1$
 $\varnothing \text{max. pin}=0,8$

C360-004

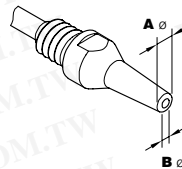


$\varnothing A=1,6$
 $\varnothing B=1,2$
 $\varnothing \text{max. pin}=1$

C560 Tips for Desoldering iron DR

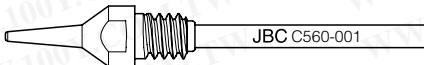
C560 Standard Life Tips

Galvanic treatment of **Standard life** tips offers outstanding thermal performance and long duration.



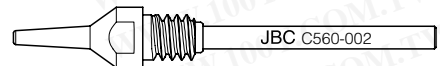
C560-001HT

$\varnothing A=1,4$ $\varnothing B=0,6$
 $\varnothing \text{max. pin}=0,4$



C560-002HT

$\varnothing A=1,8$ $\varnothing B=0,8$
 $\varnothing \text{max. pin}=0,6$

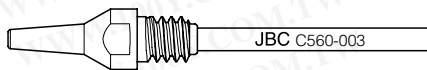


C560 Extended Life Tips

Galvanic treatment of these tips are reinforced with regards to the standard ones, providing a highest duration lasting, specially in lead free processes above all.

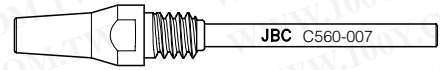
C560-003

$\varnothing A=2,7$ $\varnothing B=1$
 $\varnothing \text{max. pin}=0,8$



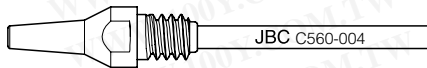
C560-007

$\varnothing A=4,8$ $\varnothing B=2,4$
 $\varnothing \text{max. pin}=2,2$



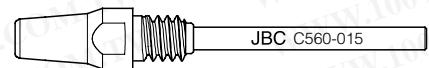
C560-004

$\varnothing A=3,2$ $\varnothing B=1,3$
 $\varnothing \text{max. pin}=1,1$



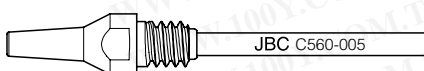
C560-015

$\varnothing A=5,2$ $\varnothing B=3$
 $\varnothing \text{max. pin}=2,8$



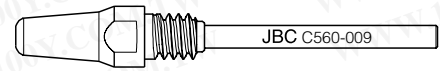
C560-005

$\varnothing A=3,4$ $\varnothing B=1,5$
 $\varnothing \text{max. pin}=1,3$



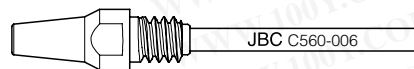
C560-009

$\varnothing A=5$ $\varnothing B=1,3$
 $\varnothing \text{max. pin}=1,1$



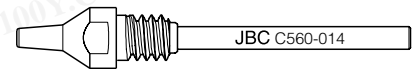
C560-006

$\varnothing A=4,2$ $\varnothing B=1,9$
 $\varnothing \text{max. pin}=1,7$



C560-014

$\varnothing A=2,5$ $\varnothing B=0,8$
 $\varnothing \text{max. pin}=0,6$



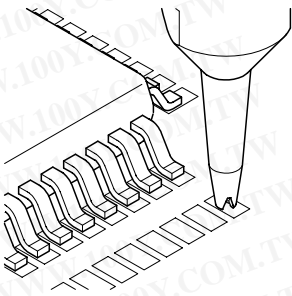
E 1:1

Desoldering tips

E 1:1

PAD CLEANING Standard pad cleaning tip for DR iron

The pad cleaning tips feature a distinctive contact surface slit which offers circulation of suction air for easy pad cleaning.

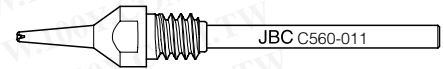


STANDARD PAD CLEANING TIP FOR DR

C560 Standard Life Tips

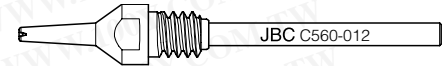
C560-011HT

$\varnothing A=1,4$ $\varnothing B=0,6$



C560-012HT

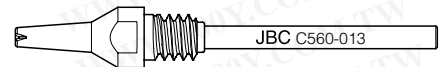
$\varnothing A=1,8$ $\varnothing B=0,8$



C560 Extended Life Tips

C560-013

$\varnothing A=2,7$ $\varnothing B=1$



E 1:1