

TEMPERATURE CONTROLLED SOLDERING STATIONS

Temperature Controlled Soldering Stations **RX-701/711 Series**

PID Temperature Controlled Soldering Station **RX-931AS**

Mini-Soldering Stations **PX-501 Series**

Soldering Controllers **PX-601 Series**

勝特力材料 886-3-5753170
 勝特力电子(上海) 86-21-34970699
 勝特力电子(深圳) 86-755-83298787
[Http://www.100y.com.tw](http://www.100y.com.tw)

TEMPERATURE CONTROLLED SOLDERING STATIONS

RX-701/711 Series

ANTI STATIC AS SERIES CERAMIC HEATER TEMPERATURE CONTROL



RX-711AS

ST-77 Soldering Iron Stand Included

High Power, High Efficiency Soldering Station to suit a wide variety of needs.

RX-701 RX-711

RX-701AS RX-711AS

RX-701, RX-701AS : **M Type model**
 RX-701L, RX-701LAS : **L Type model**
 RX-711, RX-711AS : **M Type model** (digital display)
 RX-711L, 711LAS : **L Type model** (digital display)

AS Series are the anti-static models

QUICK RECOVERY TIME

With the new sensor integrated into the heater (Patent Pending) a 60W large heat capacity allows faster temperature recovery during heavy soldering, reducing the reaction time even at lower temperature settings. Stability even during heavy soldering enables low temperature soldering and reduces the risk of thermal shock to low capacity electrical parts.



EASY TO USE

When using 2 sets of **RX-701/711** Series, they can be stacked on top of each other to save space. The soldering iron is balanced to assure comfortable operation and maintenance is easy with the connector type replacement tips.

High insulation, highly reliable 24V output

The heater is completely separate from the input power by the insulated transformer. This ensures that the operator is safe from electrical shock and leakage current from the power source to the tip. The insulation resistance between the tip and the power cord plug is over 100MΩ (450°C/500V DC)

Leak voltage is greatly reduced by proper grounding

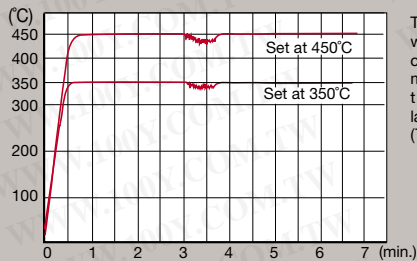
When plugged into a properly grounded outlet, both the grounded tip and the ground plug ensure precision components are safe from damage caused by leak voltage.

Protective Cover (Patent Pending)

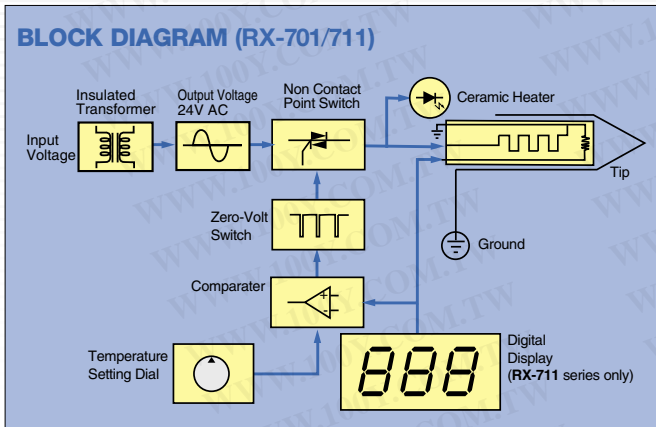
The cover prevents tampering with temperature calibration and setting.



TIP TEMPERATURE STABILITY



The characteristic curve was derived with thermocouple fit at the tip and melting solder consecutively on 5 × 5mm PCB land size. (TIP / PX-60RT-B)



Model	RX-701	RX-701L	RX-711	RX-711L
	RX-701AS	RX-701LAS	RX-711AS	RX-711LAS
Soldering Unit Specification	M Type	L Type	M Type	L Type
Voltage	110, 120, 130, 220, 230, 240V AC 50/60Hz			
Power Consumption	65W			
Output Voltage	24V AC 60W			
Temp/ Setting Range	200—450°C		200—480°C	
Insulation Resistance(500V DC)	Over 100MΩ			
Dimensions	Soldering Unit	195mm (w/o cord bushing)		
	Control Unit	146(L) × 115(W) × 98(H)mm		
Weight	Soldering Unit	Approx. 41g (w/o cord)		
	Control Unit	Approx. 1.5kg (w/o cord)		
Leak Voltage	Less than 0.5mV			
Ground Resistance	Less than 0.3Ω			
Control Unit to Soldering Unit Cord Length	1.3m		1.2m	
Plug Type/Power Cord Length	1.3m (3 core cable) ground plug			
Accessory	Soldering Iron Stand ST-77			

Equivalent to PC/EIA J-STD-001C

勝特力材料 886-3-5753170
 勝特力电子(上海) 86-21-34970699
 勝特力电子(深圳) 86-755-83298787
[Http://www.100y.com.tw](http://www.100y.com.tw)

Replacement Parts / Options

The **RX-701/711** Series soldering unit is interchangeable. The **M type** soldering unit tips are interchangeable with **PX-501/601** series.

M Type soldering unit (Normal)

For soldering precision components



RX-70G



RX-70GAS

Exclusively for **AS Series**

L Type soldering unit (Large)

For soldering large components or when the set temperature is low.



RX-70LG



RX-70LGAS

Exclusively for **AS Series**

☑ RX-701/711 Heater
RX-70H

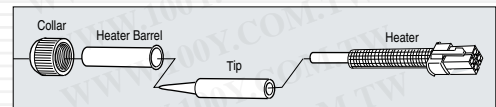
☑ RX-70H/711 Collar
TQ-77NUT

☑ RX-70H/711 Heater Barrel
PX-60HP

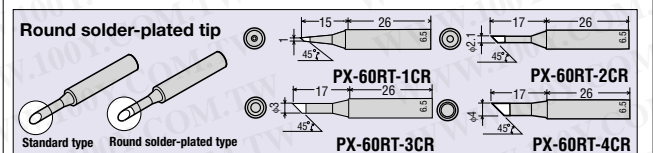
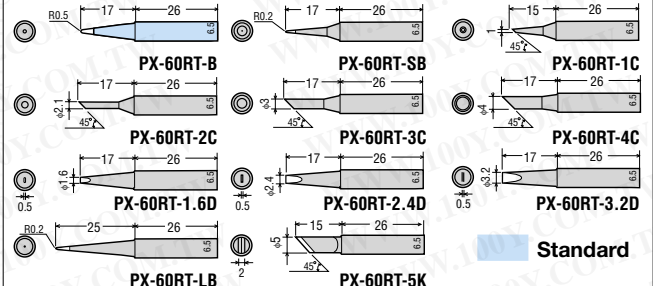
☑ RX-701L / 711L Heater
RX-70H

☑ RX-701L/711L Collar
RX-70LNUT

☑ RX-701L/711L Heater Barrel
RX-70LHP



Replacement Tips for M type Soldering Unit



Replacement Tips for L type Soldering Unit

