

EDSYN^{INC}®

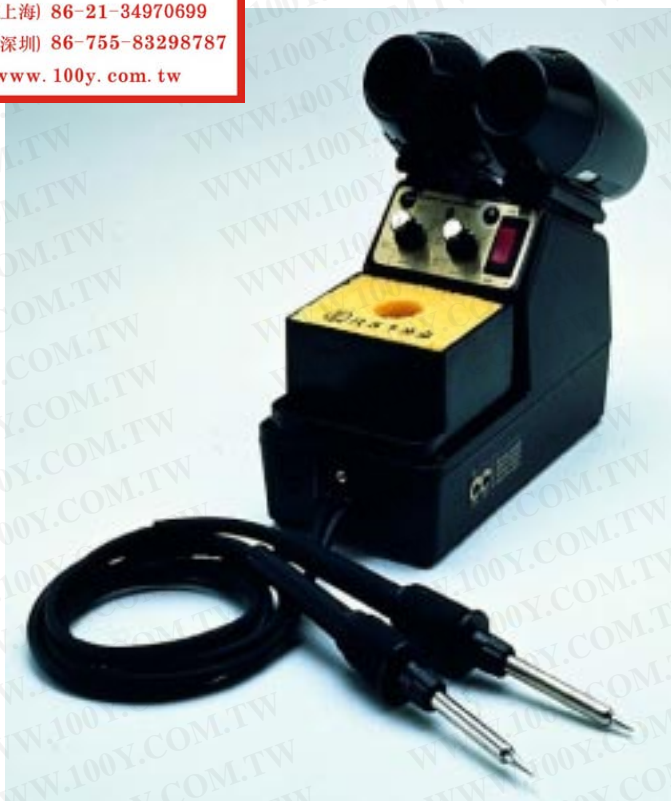
952SX-230

LONER[®]

Temperature Controlled Soldering Station

ï COMPLIES WITH MIL-S-45743E, MIL-STD-2000, DOD-STD-2000-1B,
WS6536E AND ESD SPEC, DOD-STD-1686, DOD-HDBK-263

勝特力材料 886-3-5753170
勝特力电子(上海) 86-21-34970699
勝特力电子(深圳) 86-755-83298787
[Http://www.100y.com.tw](http://www.100y.com.tw)



instruction manual

Specifications for Model 952SX-230

Power Requirements	230V, 50/60 Hz
Power Rating	15W - 220W
Heater Rating	230V, 95W
Temperature Range	400°F-800°F/205°C-427°C
Temperature Regulation	±6°F/±3°C
Tip-to-Ground Voltage Leakage/Resistance	< 2mV/< 2 ohms
Overall Dimension	4.1"W x 8.2"H x 10"D 104 mm x 208 mm x 254 mm

勝特力材料 886-3-5753170
勝特力电子(上海) 86-21-34970699
勝特力电子(深圳) 86-755-83298787
[Http://www.100y.com.tw](http://www.100y.com.tw)

Weight 3.1 lbs/1.4 kg

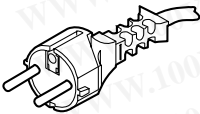
Contents

952SX includes	1 - LT375 Soldering Tip 1 - LT337BC Soldering Tip
PD528	Tool Pod
SH230	Sponge Holder (Includes RS199 Cleaning Sponge, RS243 Leveling Pad, LN230 Liner)
WP556	WIGAPRY Low Static Computer Aid

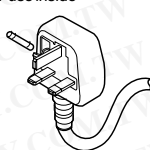
DISTINGUISHING FEATURES

Power Cord

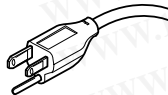
For 952SX-230



For 952SX-230B
3A Fuse inside



For 952SX-230I

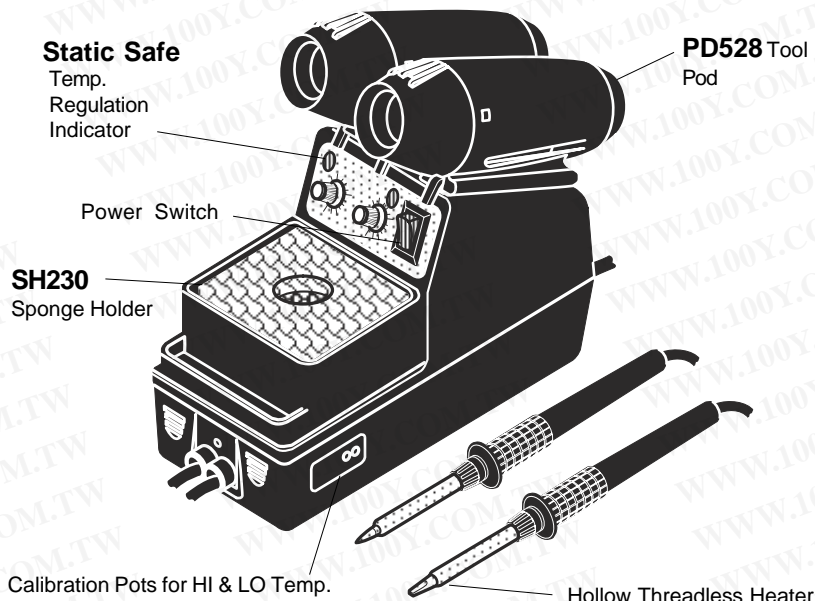


For 952SX-230P

POWER CORD WIRING

BROWN to LINE
BLUE to NEUTRAL
GRN/YEL to GROUND





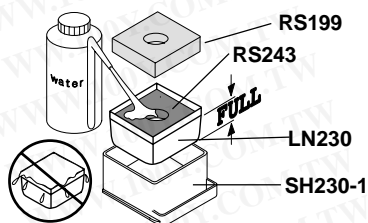
WARNING:

勝特力材料 886-3-5753170
 勝特力电子(上海) 86-21-34970699
 勝特力电子(深圳) 86-755-83298787
[Http://www.100y.com.tw](http://www.100y.com.tw)

MAINTENANCE

ï Replace RS199 Cleaning Sponge

1. Fill water only up to the top of the RS243 Leveling Pad.

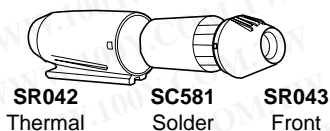


CAUTION:

Over-filling can cause thermal shock to the tip or heating element during tip

ï Replace SC581 Solder Collector

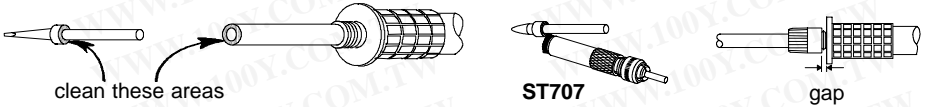
1. Hold the Housing firm and turn Cap counter-clockwise and pull it away from the Housing.
2. Remove used SC581 and replace with a new one.
3. Reassemble Pod with TOP of the Cap in



TIP CLEANING

To maintain proper Tip to Ground resistance.

1. Remove Tip from Heater Assembly.
2. Using a **ST707 Soldering Tool Maintenance Brush**, clean Tip and Heater Barrel at surfaces shown.
3. Install the tip and tighten RS372 Retaining Sleeve. Take note of the gap to ensure proper fitting.
 (If there is no gap, try replacing the RS372 Retaining Sleeve).



TIP CARE

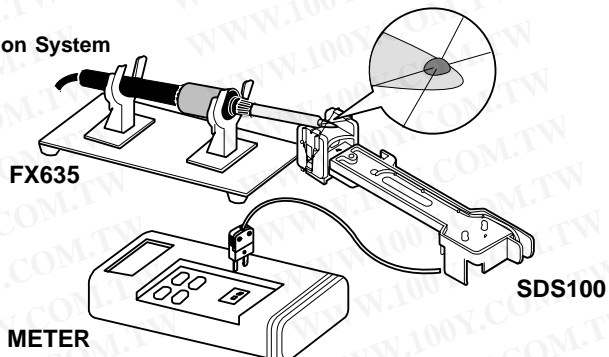
1. Set desired temperature. Blinking Neon Lamp means Tool is ready.
2. TIN the Tip. (apply solder)
3. Do not rub, bend or reshape the Tip.
4. Always clean the Tip by wiping it against the saturated sponge and always RE-TIN.

TEMPERATURE CALIBRATION

1. Turn on power and set Temperature Control Knob to 400°F (205°C).
2. Using a clean and well tinned Tip, apply a small amount of solder on the Tip, just enough to form a bead on top of the Tip.
3. Place the center of the thermocouple wire of the **SDS100** on top of the bead.
4. Again, apply a small amount of solder on the center of the thermo-couple wire, just enough to embed the center.
5. Adjust LO-Temp. Calibration Pot so the Meter will read 400°F (205°C).
6. Set Temperature Control Knob to 800°F (427°C).
7. Adjust Hi-Temp. Calibration Pot so the Meter will read 800°F (427°C).

MS412

Temperature Calibration System

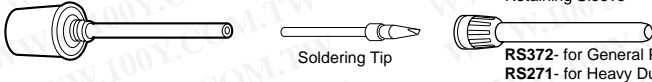


CHANGING TIP

DO NOT USE the soldering tool if soldering tip is loose. This will cause the heater element to break.

1. MAKE SURE YOUR TOOL IS COOL!
2. Turn Retaining Sleeve counter-clockwise to remove.
3. Remove old Soldering Tip.
4. Insert new Tip.
5. Install Retaining Sleeve. (should be "finger" tight only.)

勝特力材料 886-3-5753170
 胜特力电子(上海) 86-21-34970699
 胜特力电子(深圳) 86-755-83298787
[Http://www.100y.com.tw](http://www.100y.com.tw)



Retaining Sleeve

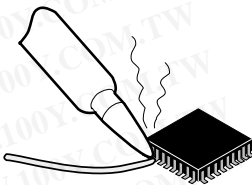
Soldering Tip

RS372- for General Purpose Tip
RS271- for Heavy Duty Tip

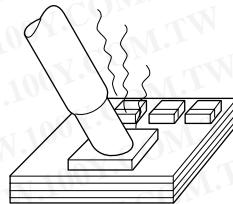
SOLDERING TIPS			
Iron Plated for long life/Nickel and Chrome Plated for optimum heat transfer			
CONTACT EDSYN FOR MORE SELECTIONS			
	LT374 Standard Probe	.03 (0.8 mm)	.48 (12.2 mm)
	LT375 Standard Spade	.06 (1.5 mm)	.48 (12.2 mm)
	LT392 Extra-Long Needle Point	.02 (0.5 mm)	1.13 (28.8 mm)
	LT394 Extra-Long Spade	.07 (2.0 mm)	.93 (23.6 mm)
	LT446 SMD Probe	.03 (0.8 mm)	.48 (12.2 mm)
	LT337BC Heavy Duty Terminal Spade	.10 (2.5 mm)	.74 (18.8 mm)
	LT223BC Heavy Duty Fine Spade	.06 (1.5 mm)	1.21 (30.7 mm)
	LT222BC Extra long Needle Point	.04 (1.0 mm)	1.21 (30.7 mm)
	LT153BH Jumbo Spade	.20 (4.9 mm)	.93 (23.6 mm)
	LT155BH Jumbo Angle Spade	.32 (8.3 mm)	.97 (21.1 mm)

SET-UP & REQUIRED ACCESSORIES FOR HEAVY DUTY AND JUMBO TIPS	
<p>Apply AN112 or AN122* Anti-Seize Compound to Heater and area of Tip contact.</p>	

*AN122 Anti-Seize Compound comes in syringe dispenser.

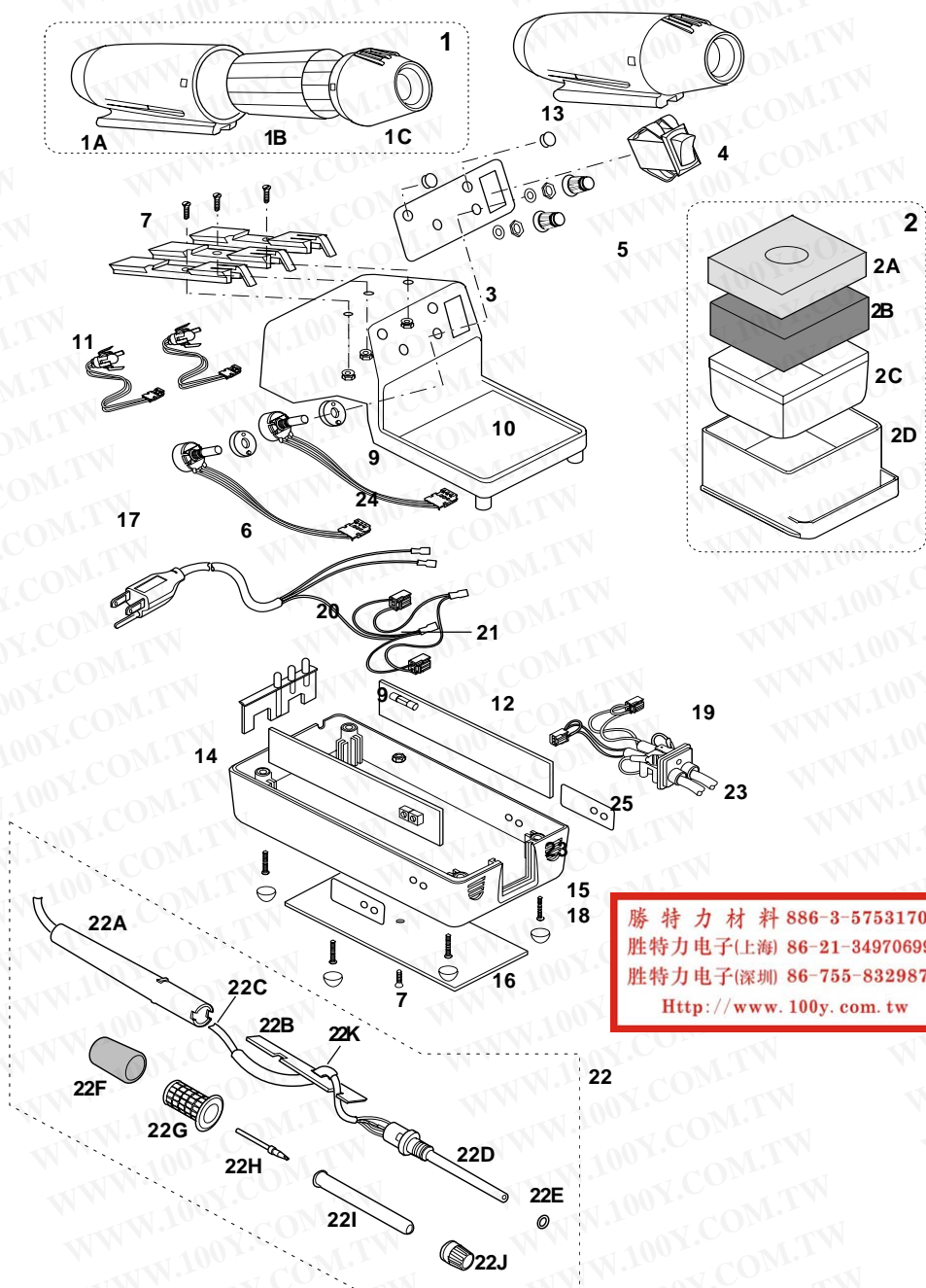


Fine point tip for SMD soldering.



Large and heavy tip for heavy duty soldering.

952SX-230 LONER[®] SOLDERING STATION SPARE PARTS LIST



勝特力材料 886-3-5753170
 勝特力电子(上海) 86-21-34970699
 勝特力电子(深圳) 86-755-83298787
[Http://www.100y.com.tw](http://www.100y.com.tw)

ITEM NO.	PART NO.	DESCRIPTION	QTY REQ'D
1	PD528	ToolPod	2
1A	SR042	Thermal Housing for Tool Pod	2
1B	SC581	Solder Collector for Tool Pod	2
1C	SR043	Front Housing for Tool Pod	2
2	SH230	General Purpose Sponge Holder	1
2A	RS199	Cleaning Sponge	1
2B	RS243	Leveling Pad for SH230	1
2C	LN230	Liner for SH230	1
2D	SH230-1	Sponge Holder Tray	1
3	SR303	Control Panel Label	1
4	SR452	Power Switch, Illuminated	1
5	SR068	Knob, Temperature Control	2
6	SR243	5K Potentiometer, Temperature Control	2
7	SR015	Flat Head Screw- Slotted #6 - 32 x 1/2	4
9	SR467	Hex Nut- #6 - 32	4
10	SR781	Top Case	1
11	SR019	Dove Tail Mount	1
12	15222W95	Circuit Board	2
13	SR573	LED Assy.	2
14	SR052	Bottom Base	1
15	SR011	Pan Head Screw- Phillip #6 - 18 x 5/8	5
16	SR054	Bottom Weight	1
17		Power Cord Assy.	1
18	SR251	Rubber Foot	4
19			
20	SR241	Strain Relief for Power Cord	1
21	SR249	Fuse, 250V, 1 A (5mm x 20 mm)	2
22	SR860	Soldering Tool, Complete Assembly	2
22A	SR057	Handle for Tool	2
22B	SR058	Cord Strain Relief	1
22C	SR280	Tool Cord Assy., Burn Proof	2
22D	SR337	Heater Element Assembly Kit (O-Ring (22E) & Collar (22G) Included	2
22E	SR062	O-Ring	2
22F	SR063	Vinyl Sleeve	2
22G	SR064	Collar	2
22H	LT375	LONER _® Standard Spade Tip	1
22I	RS382	Retaining Sleeve	1
22J	RB386	Retaining Bushing	1
22K	SR525	Silicone Hose, Low Static (sold per foot)	5-1/4"
23	SR053	Strain Relief for Tool Cord	1
24	SR255	Spacer for Potentiometer	2
25	SR310	Label, Calibration Pot, Right Front or Left Rear	1
26	SR311	Label, Calibration Pot, Left Front or Right Rear	1
27	LT337BC	Heavy Duty Soldering Tip	1
28	RS271	Retaining Sleeve, Heavy Duty	1