
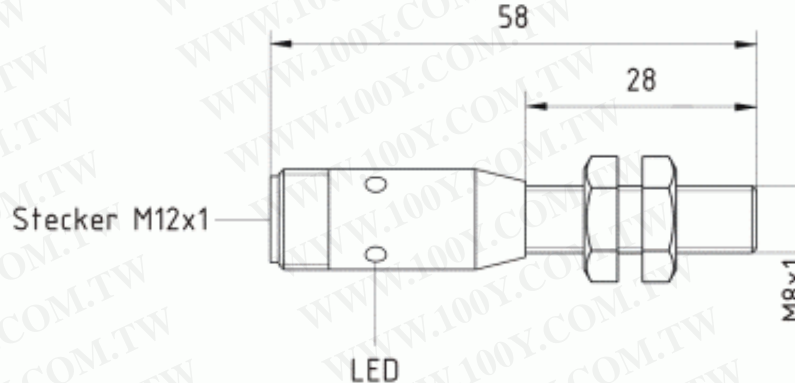



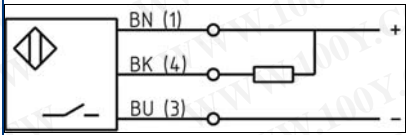


# KJ2-M8MB58-DNS-V2

勝特力材料 886-3-5753170  
 勝特力电子(上海) 86-21-34970699  
 勝特力电子(深圳) 86-755-83298787  
[Http://www.100y.com.tw](http://www.100y.com.tw)

|   |   |
|---|---|
| 08317811150<br>(KJ2-M8MB58-DNS-V2)  |   |
|  |             |
| <b>product description:</b>   | <b>Active principle: Inductive</b>  |
| <b>typ:</b>   | KJ2-M8MB58-DNS-V2   |
| <b>Order number:</b>  | 08317811150   |
| <b>Matchcode:</b>   | 9981-1150   |
| <b>Switching distance:</b>  | 2 mm  |
| <b>Mounting:</b>  |  Shielded  |
| <b>Switch type:</b>   |  N.O.      |
| <b>Signal type:</b>   | DC NPN  |
| <b>Connection:</b>  |  Connector |
| <b>Connection diagramm:</b>   |           |
| <b>Dimension:</b>   | M8x1x58 mm  |
| <b>Technical data:</b>  |   |
| <b>Operating voltage:</b>   | 10 - 30 VDC   |
| <b>Max. ripple:</b>   | ≤ 10 %  |
| <b>Voltage drop:</b>  | ≤ 2,4 V   |
| <b>Max. load current:</b>   | 200 mA  |
| <b>No load current:</b>   | ≤ 10 mA   |

|                                    |                       |  |
|------------------------------------|-----------------------|--|
| <b>Leakage current:</b>            | ≤ 10 μA               | <div style="border: 2px solid red; padding: 5px;"> <p>勝特力材料 886-3-5753170<br/>           勝特力电子(上海) 86-21-34970699<br/>           勝特力电子(深圳) 86-755-83298787<br/> <a href="http://www.100y.com.tw">Http://www.100y.com.tw</a></p> </div> |
| <b>Switching frequency:</b>        | 3000 Hz               |  |
| <b>Switching hysteresis:</b>       | ≤ 10%                 |  |
| <b>Operating temperature:</b>      | from -25° C to +70°C  |  |
| <b>Temperature drift:</b>          | ≤ 10%                 |  |
| <b>Repeat accuracy:</b>            | ≤ 10 %                |  |
| <b>Operating state:</b>            | No                    |  |
| <b>Switching state:</b>            | Yes                   |  |
| <b>Interface:</b>                  |                       |  |
| <b>Digital output:</b>             | Yes                   |  |
| <b>short-circuit proof:</b>        | Yes                   |  |
| <b>overload protection:</b>        | Yes                   |  |
| <b>reverse voltage protection:</b> | Yes                   |  |
| <b>protection category:</b>        | IP67                  |  |
| <b>EMV - level:</b>                | DIN EN 60947-5-2:2008 |  |
| <b>housing material:</b>           | Brass, nickel plated  |  |
| <b>material active face:</b>       | PCB                   |  |
| <b>termination:</b>                | Connector M12 4pol    |  |