
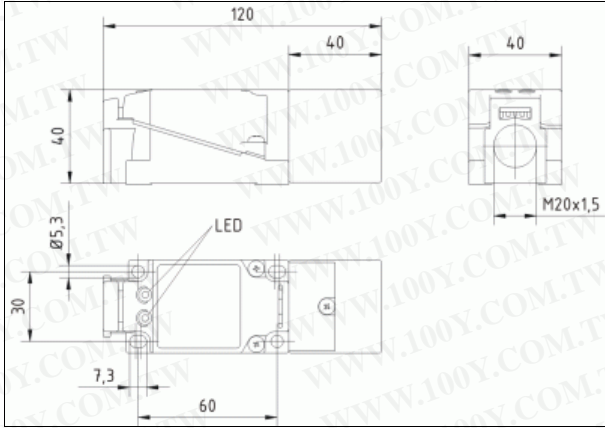





KJ40-Q40KN-AZU

勝特力材料 886-3-5753170
 勝特力电子(上海) 86-21-34970699
 勝特力电子(深圳) 86-755-83298787
[Http://www.100y.com.tw](http://www.100y.com.tw)

product description: inductive sensor AC	
08317533200 (KJ40-Q40KN-AZU)	
	
typ:	KJ40-Q40KN-AZU
Order number:	08317533200
Matchcode:	9853-3200
Switching distance:	40 mm
Mounting:	 Non shielded
Switch type:	 Switchable
Signal type:	AC
Connection:	 Terminal
Dimension:	120 mm x 40 mm x 40 mm

Technical data:	
Operating voltage:	20 - 250 V AC
Voltage drop:	≤ 5 V
Max. load current:	500 mA
Leakage current:	≤ 2 mA
Switching frequency:	15 Hz
Switching hysteresis:	≤ 15%
Operating temperature:	from -25° C to +70°C
Temperature drift:	≤ 10%
Repeat accuracy:	≤ 5 %
Operating state:	Yes
Switching state:	Yes
Interface:	
Digital output:	Yes
short-circuit proof:	Yes
overload protection:	Yes
reverse voltage protection:	Yes
protection category:	IP67
EMV - level:	DIN EN 60947-5-2:2008
housing material:	Plastic
termination:	Terminal 1,5mm ²

勝特力材料 886-3-5753170
 勝特力电子(上海) 86-21-34970699
 勝特力电子(深圳) 86-755-83298787
[Http://www.100y.com.tw](http://www.100y.com.tw)