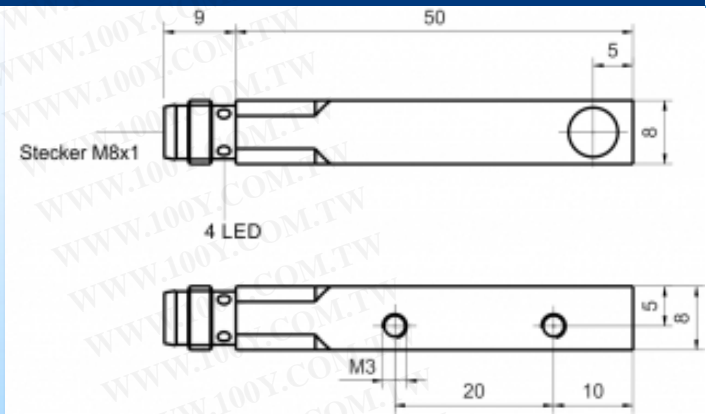


[Article Page](#)

Product Description

inductive sensor DC



| | |
|---------------------|-------------------|
| Name | KJ3-Q8MB60-DNS-V1 |
| Order number | 08317612164 |
| Matchcode | 9861-2164 |
| Switching distance | 3 mm |
| Mounting | shielded |
| Switch type | - N.O. |
| Signal Type | DC NPN |
| Connection | connector M8 |
| Connection diagramm | |

| | |
|-------------------|--------------|
| Dimension (in mm) | Q 8 x 8 x 60 |
|-------------------|--------------|

Technical Specification

| | |
|-----------------------|-------------------|
| Operating voltage | 10 - 30 VDC |
| Max. ripple | ≤ 10 % |
| Voltage drop | 2,4 V |
| Max. load current | 200 mA |
| No load current | ≤ 13 mA |
| Leakage current | ≤ 10 μA |
| Switching frequency | 800 |
| Switching hysteresis | ≤ 15 % |
| Operating temperature | -25 ° C to 70 ° C |

勝特力材料 886-3-5753170
 勝特力电子(上海) 86-21-34970699
 勝特力电子(深圳) 86-755-83298787
[Http://www.100y.com.tw](http://www.100y.com.tw)

| | |
|----------------------------|------------------------|
| Temperature drift | < 10 % |
| Repeat accuracy | ≤ 5 % |
| Swiching state | LED |
| Short-circuit proof | yes |
| Overload protection | yes |
| Reverse voltage protection | yes |
| Protection category | IP67 |
| EMC-level | DIN EN 60947-5-2: 2008 |
| Housing material | Brass, nickel plated |
| Material active face | Ultramid |
| Degree of pollution | DC 13 |
| Termination | Connector M8 3pin |

Errors and omissions exceptet

勝特力材料 886-3-5753170
勝特力电子(上海) 86-21-34970699
勝特力电子(深圳) 86-755-83298787
[Http://www.100y.com.tw](http://www.100y.com.tw)