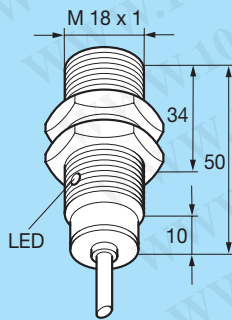


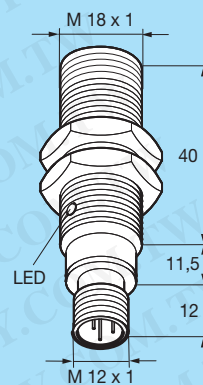
DC Program Cylindrical housing M18

- with extremely high sensing distance

勝特力材料 886-3-5753170
 勝特力电子(上海) 86-21-34970699
 勝特力电子(深圳) 86-755-83298787
[Http://www.100y.com.tw](http://www.100y.com.tw)



M 18x1



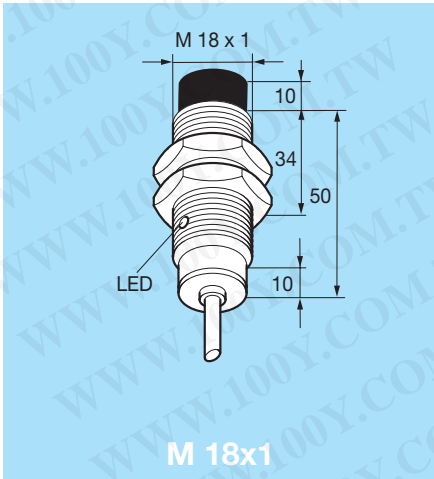
M 18x1

Nominal sensing distance	
Mounting	
Output function	
Order no.	
Usable supply voltage	
Ripple voltage	
No-load supply current	
Rated operating current	
Voltage drop	
Off-state current	
Short-circuit protection	
Reverse battery protection	
Wire break resistance	
Operating frequency	
Hysteresis	
Temperature drift	
Repeat accuracy	
Housing material	
Front cap	
Termination	
PVC 2 m	
Degree of protection (EN 60 529)	
EMC standard	
Ambient temperature	
LED	
Standards	
Wiring diagrams	

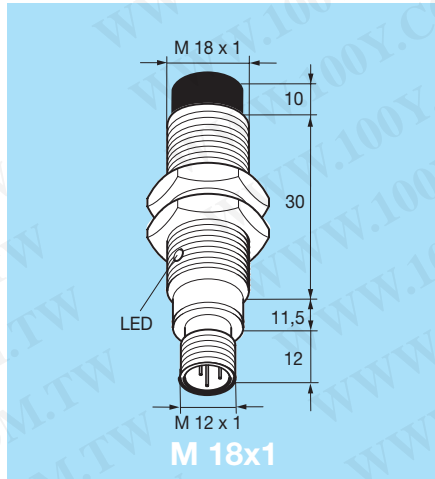
12,0 mm	
embeddable*	
Output function	
Order no.	9984-5000 PNP 9984-5100 NPN
10 V ... 30 V DC	
Ripple voltage	≤ 20 %
No-load supply current	≤ 20 mA
200 mA	
Voltage drop	≤ 2,4 V
Off-state current	≤ 100 µA
Short-circuit protection	•
Reverse battery protection	•
Wire break resistance	•
500 Hz	
Hysteresis	typ. 10 %
Temperature drift	≤ 10 %
Repeat accuracy	≤ 5 %
Housing material	Nickel-plated brass
Front cap	PCP
Cable 3x0,34	
PVC 2 m	xxxx-xx00
Degree of protection (EN 60 529)	IP 67
EMC standard	EN 60 947-5-2
- 25°C - + 70 °C	
LED	•
Standards	CE
Wiring diagrams	

12,0 mm	
embeddable*	
Output function	
Order no.	9984-5065 PNP
10 V ... 30 V DC	
Ripple voltage	≤ 20 %
No-load supply current	≤ 20 mA
200 mA	
Voltage drop	≤ 2,4 V
Off-state current	≤ 100 µA
Short-circuit protection	•
Reverse battery protection	•
Wire break resistance	•
500 Hz	
Hysteresis	typ. 10 %
Temperature drift	≤ 10 %
Repeat accuracy	≤ 5 %
Housing material	Nickel-plated brass
Front cap	PCP
M12-connector	
PVC 2 m	
Degree of protection (EN 60 529)	IP 67
EMC standard	EN 60 947-5-2
- 25°C - + 70 °C	
LED	•
Standards	CE
Wiring diagrams	


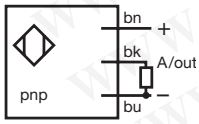
*See installation instructions on page 14


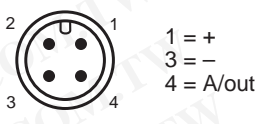


M 18x1



M 18x1

20,0 mm
non-embeddable*

9984-5200 PNP
9984-5300 NPN
10 V ... 30 V DC
≤ 20 %
≤ 20 mA
200 mA
≤ 2,4 V
≤ 100 µA
•
•
•
200 Hz
typ. 10 %
≤ 10 %
≤ 5 %
Nickel-plated brass
PCP
Cable 3x0,34
xxxx-xx00
IP 67
EN 60 947-5-2
- 25°C - + 70 °C
•
CE


20,0 mm
non-embeddable*

9984-5265 PNP
10 V ... 30 V DC
≤ 20 %
≤ 20 mA
200 mA
≤ 2,4 V
≤ 100 µA
•
•
•
200 Hz
typ. 10 %
≤ 10 %
≤ 5 %
Nickel-plated brass
PCP
M12-connector
IP 67
EN 60 947-5-2
- 25°C - + 70 °C
•
CE


勝特力材料 886-3-5753170
 勝特力电子(上海) 86-21-34970699
 勝特力电子(深圳) 86-755-83298787
[Http://www.100y.com.tw](http://www.100y.com.tw)