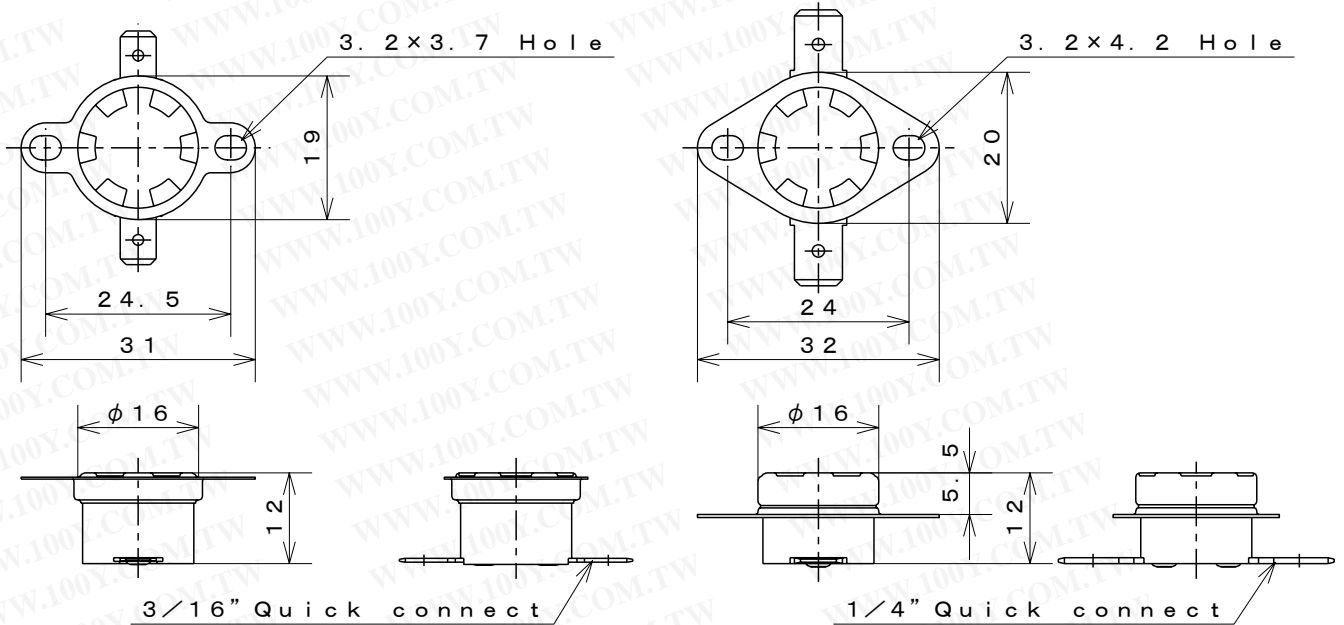




1/2" Disc Type Thermostat Automatic Reset

Type 54N

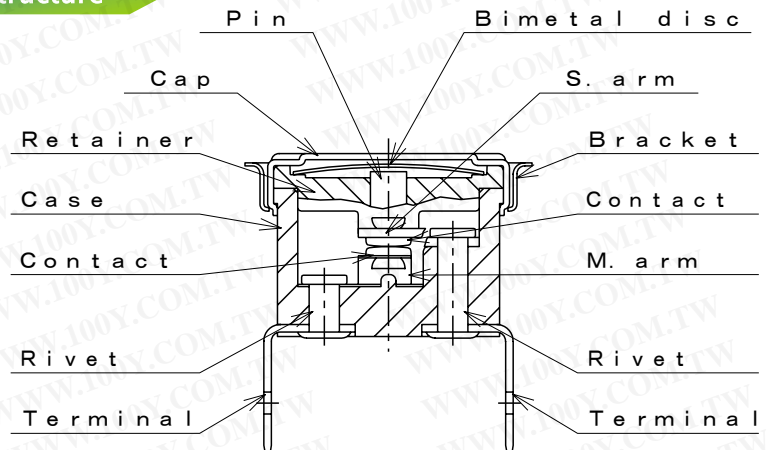
Dimensions



Materials of parts

Part	Material
Cap	Aluminum Copper Stainless steel
Case	Phenolic resin
M.arm	Beryllium Copper alloy
Terminals	Brass
Bracket	Stainless steel
Contacts	Silver-Nickel alloy

Structure



Specification

Item	Specification
1. Basic features	SPST Automatic reset
2. Operation	A : Contacts open on temperature rise B : Contacts close on temperature rise
3. Electrical rating	AC125V/15A AC250V/10A
4. Calibration method	Hot & cold air circulation system
5. Temperature rating	Operating temperature Max. 150°C
6. Insulation resistance	Not less than 1,000MΩ/DC500V
7. Dielectric strength	Not less than AC1,500V/1min. or AC1,800V/1sec.

Standard

UL 873
CSA C22.2 No. 24

UL File No. E43273
CSA Report No. LR67165, LR67166

勝特力材料 886-3-5753170
勝特力电子(上海) 86-21-34970699
勝特力电子(深圳) 86-755-83298787
[Http://www.100y.com.tw](http://www.100y.com.tw)