

# Proximity Sensors Capacitive Thermoplastic Polyester Housing Type CA, M18, DC

**TRIPLESHIELD™**

**CARLO GAVAZZI**



- Featuring **TRIPLESHIELD™** sensor protection
- Adjustable sensing distance 3-8 mm or 3-12 mm
- Rated operational voltage: 10-40 VDC
- Output: DC 200 mA, NPN or PNP
- Make and break switching function
- LED indication
- High noise immunity
- Flush and non-flush types
- Plug and cable versions

## Product Description

Capacitive proximity switches with either sensing distance 8 mm flush mounted in metal or sensing distance 12 mm non-flush mounted. 4-wire DC output with both make (NO) and

break (NC) switching. Grey M18 polyester housing with 2 m PVC cable or M12 plug. Ideal for use in level and plastic machinery applications.

## Ordering Key

**CA18CLN12NAM1**

Type	CA
Housing style	18
Housing size	CL
Housing material	N
Housing length	12
Detection principle	CL
Sensing distance	N
Output type	A
Output configuration	M
Connection type	1

## Type Selection

Housing diameter	Rated operating dist. (S <sub>n</sub> ) <sup>1)</sup>	Mounting	Ordering no. Transistor NPN/cable Make & break switching	Ordering no. Transistor NPN/plug Make & break switching	Ordering no. Transistor PNP/cable Make & break switching	Ordering no. Transistor PNP/plug Make & break switching
M18	8 mm	Flush (built-in)	CA18CLF08NA	CA18CLF08NAM1	CA18CLF08PA	CA18CLF08PAM1
M18	12 mm	Non-flush	CA18CLN12NA	CA18CLN12NAM1	CA18CLN12PA	CA18CLN12PAM1

<sup>1)</sup> Object: Grounded steel plate

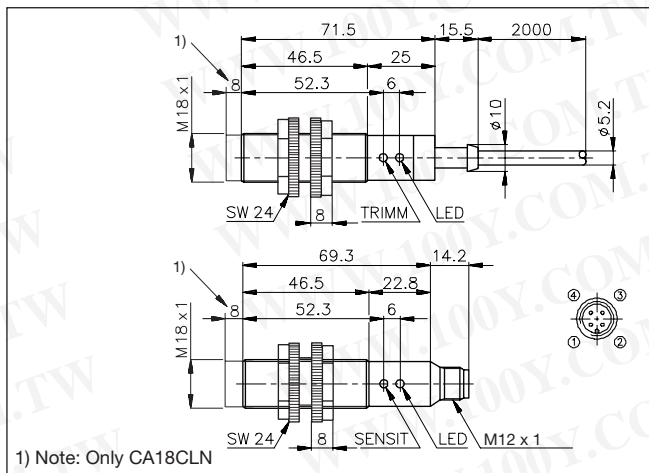
## Specifications

<b>Rated operating dist. (S<sub>n</sub>)</b> CA18CLF08	3 to 8 mm factory set at 8 mm	<b>Indication for output ON</b>	LED, yellow
CA18CLN12	3 to 12 mm factory set at 12 mm	<b>Environment</b>	
<b>Sensitivity</b>	Adj. 270° turn pot. meter	Degree of protection	IP 67 (Nema 1, 3, 4, 6, 13)
<b>Effectiv operation dist. (S<sub>r</sub>)</b>	0.9 x S <sub>n</sub> ≤ S <sub>r</sub> ≤ 1.1 x S <sub>n</sub>	<b>Temperature</b>	
<b>Usable operation dist. (S<sub>u</sub>)</b>	0.8 x S <sub>r</sub> ≤ S <sub>u</sub> ≤ 1.2 x S <sub>r</sub>	Operating temperature	-25° to +80°C (-13° to +176°F)
<b>Repeat accuracy (R)</b>	≤ 5%	Storage temperature	-40° to +85°C (-40° to +185°F)
<b>Hysteresis (H)</b>	4 to 20% of sensing distance	<b>Housing material</b>	
<b>Rated operational volt. (U<sub>B</sub>)</b>	10 to 40 VDC (ripple included)	Body	Grey, thermoplastic polyester
<b>Ripple</b>	≤ 10%	Front	Grey, polyester
<b>Rated operational current (I<sub>o</sub>)</b> Continuous	≤ 200 mA	Cable end	Polyester
<b>No-load supply current (I<sub>o</sub>)</b>	≤ 10 mA	Nuts	Black, reinforced nylon
<b>Voltage drop (U<sub>d</sub>)</b>	≤ 2.5 VDC at max. load	<b>Connection</b>	
<b>Protection</b>	Reverse polarity, short-circuit, transients	Cable	Grey, 2 m, 4 x 0.34 mm <sup>2</sup> Oil proof PVC
<b>Frequency of operating cycles (f)</b>	30 Hz	Plug (M1)	M12 x 1
		Cable for plug (M1)	CON.1A-series
		<b>Weight</b>	
		Cable version	110 g
		Plug version	30 g
		<b>Approvals</b>	UL, CSA
		<b>CE-marking</b>	Yes

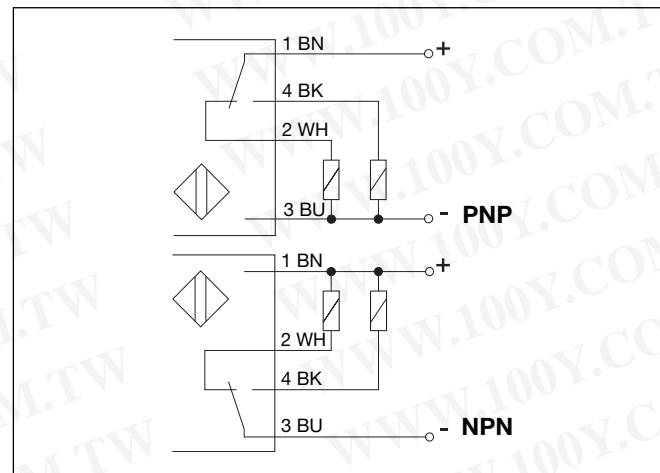
Specifications are subject to change without notice (25.06.99)

勝特力材料 886-3-5753170  
勝特力电子(上海) 86-21-34970699  
勝特力电子(深圳) 86-755-83298787  
[Http://www.100y.com.tw](http://www.100y.com.tw)

## Dimensions



## Wiring Diagrams

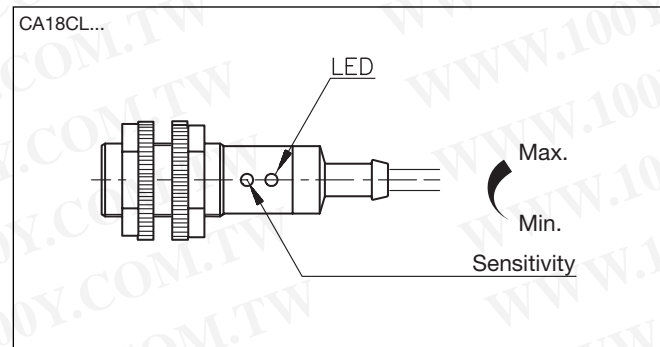


## Adjustment Guide

The environments in which capacitive sensors are installed can often be unstable regarding temperature, humidity, object distance and industrial (noise) interference. Because of this, Carlo Gavazzi offers as standard features in all TRIP-LESHIELD™ capacitive sensors a user-friendly sensitivity adjustment instead of having a fixed sensing range, extended sensing range to accom-

modate mechanically demanding areas, temperature stability to ensure minimum need for adjusting sensitivity if temperature varies and high immunity to electromagnetic interference (EMI).

**Note:**  
Sensors are factory set (default) to maximum rated sensing range.



## Installation Hints

Capacitive sensors have the unique ability to detect almost all materials, either in liquid or solid form. Capacitive sensors can detect metallic as well as non-metallic objects, however, their traditional use is for non-metallic materials such as:

- **Plastic Industry**  
Resins, regrinds or moulded products.

- **Chemical Industry**  
Cleansers, fertilisers, liquid soaps, corrosives and petrochemicals.

- **Wood Industry**  
Saw dust, paper products, door and window frames.

- **Ceramic & Glass Industry**  
Raw material, clay or finished products, bottles.

- **Packaging Industry**  
Package inspection for level or contents, dry goods, fruits and vegetables, dairy products.

Materials are detected due to their dielectric constant. The bigger the size of an object, the higher the density of material, the better or easier it is to detect the object. Nominal sensing distance for a capaci-

tive sensor is referenced to a grounded metal plate (ST37). For additional information regarding dielectric ratings of materials please refer to Technical Information.

## Delivery Contents

- Capacitive switch: CA18CL...
- Screw driver
- 2 nuts
- **Packaging:** Cardboard box
- Installation & Adjustment Guide

## Accessories

- Plugs CON.1A-...series.

For further information refer to "Accessories".

勝特力材料 886-3-5753170  
 勝特力电子(上海) 86-21-34970699  
 勝特力电子(深圳) 86-755-83298787  
[Http://www.100y.com.tw](http://www.100y.com.tw)