

IC51 Series (Clamshell)

Small Outline Package (SOP)

Specifications

Insulation Resistance: 1,000MΩ min. at 500V DC
 Dielectric Withstanding Voltage: 700V AC for 1 minute
 Contact Resistance: 30mΩ max. at 10mA/20mV max.
 Operating Temperature Range: -40°C to +150°C (type PSF)
 -55°C to +170°C (type PES & PEI)
 Mating Cycles: 10,000 insertions min.

Materials and Finish

Housing: Polysulphone (PSF), glass-filled
 Polyethersulphone (PES), glass-filled
 Polyetherimide (PEI), glass-filled
 Contacts: Beryllium Copper (BeCu)
 Plating: Gold over Nickel

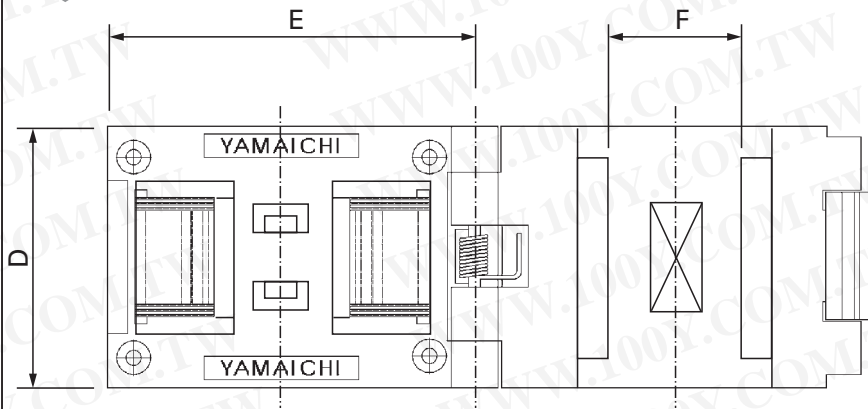
Part Number (Details)

IC51 - 008 2 - 1024 - MF

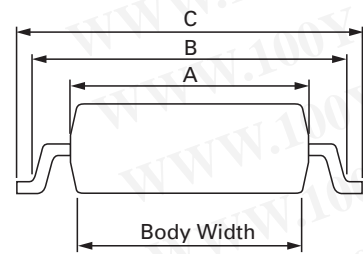
Series No. []
 No. of Contact Pins []
 No. of Sides with Contacts []
 Design Number []
 MF= Flanged
 Unmarked = Not Flanged

Applicable Dimensions (Reference Only)

Example of a SOP Socket



Outline IC Dimensions



A = Body width (max.)
 B = Also the lid size for IC
 C = Tip-to-Tip
 F = Lid size from Socket

SOP Clamshell

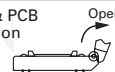
Part Number	Pin Count	Pitch (mm)	Matching IC Dim.				Note	Socket Dimensions		
			Body Width	A (max)	B (max)	C (nom.)		D	E	F
IC51-0082-1024	8	1.27	5.2	5.25	7.2	7.9	FB	18.5	32.5	7.2
IC51-1035.KS-10460	8	1.27	4.0	4.0	5.4	6.0	S	22.0	27.2	5.4
IC51-0122-1836	12	0.80	4.4	4.4	5.9	6.4	S	14.0	32.4	5.9
IC51-0142-951	14	1.25	4.4	4.5	5.2	5.9	S	24.0	27.5	5.2
IC51-0142-084	14	1.27	4.4	4.5	5.7	6.5	S	22.0	25.0	5.7
IC51-0142-1013	14	1.27	5.2	5.25	7.2	7.9	FB	18.5	32.5	7.2
IC51-1035.KS-15187	14	1.27	4.0	4.0	5.4	6.0	S	22.0	27.2	5.4
IC51-0162-1035	16	1.27	4.0	4.0	5.4	6.0	S	22.0	27.2	5.4
IC51-0162-1042	16	1.27	4.0	4.2	5.4	6.2	S	22.0	27.2	5.4
IC51-0162-658	16	1.27	4.4	4.5	6.2	7.0	S	26.0	31.5	5.7
IC51-0162-271-3	16	1.27	4.4	5.0	5.2	6.0	S	13.0	26.5	5.22
IC51-0162-271-2	16	1.27	5.0	5.0	5.2	6.0	S	13.0	26.5	5.22
IC51-0162-271-1	16	1.27	5.5	5.0	5.2	6.0	S	13.0	26.5	5.22
IC51-0162-272-1	16	1.27	5.5	5.5	5.7	6.5	S	13.0	26.5	5.72
IC51-0162-273-1	16	1.27	5.5	5.5	6.22	7.0	S	13.0	26.5	6.22
IC51-0162-1025	16	1.27	5.2	5.25	7.2	7.9	FB	18.5	32.5	7.2
IC51-0162-902-2	16	1.27	5.3	5.35	7.2	8.2	S	12.0	28.5	7.2
IC51-347.KS-7704	16	1.27	7.7	7.7	9.5	10.3	S	16.0	31.5	9.53
IC51-347.KS-6768	18	1.27	7.7	7.7	9.5	10.3	S	16.0	31.5	9.53
IC51--334.KS-13574	20	1.27	7.5	7.6	9.4	10.3	S	18.0	32.0	9.3

Note: Sockets with (S) "Separator" can accept and properly align lower pin count devices.
 Sockets with (FB) "Floating Base" will only accept devices with the same pin count as the socket.

IC51 - Clamshell

Small Outline Package (SOP)

Socket & PCB Orientation



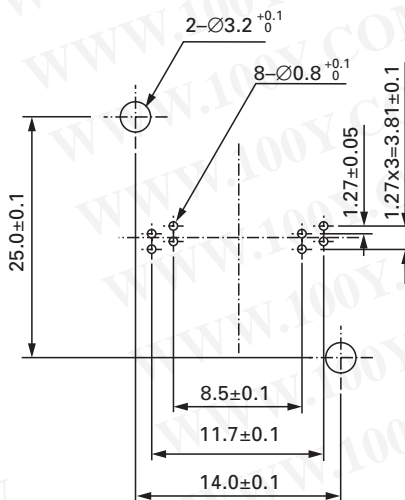
Top View from Socket



Recommended PCB Layouts (8 - 14 pins)

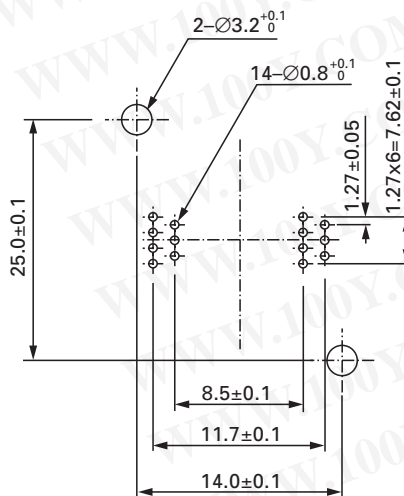
8 pins (SOP)

IC51-0082-1024



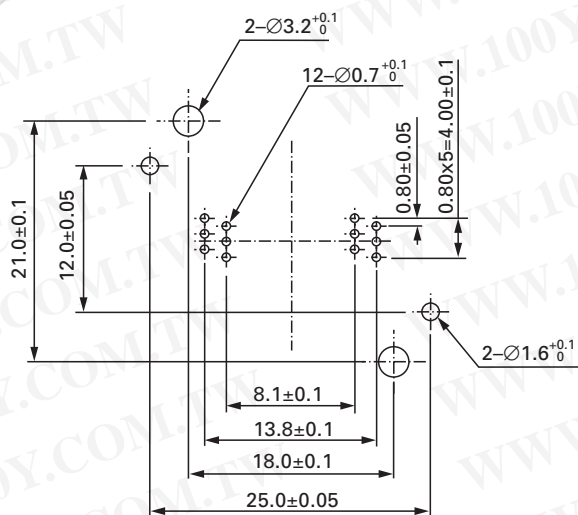
14 pins (SOP)

IC51-0142-1013



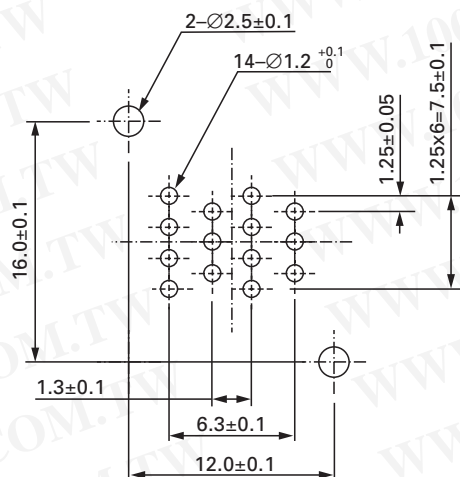
12 pins (SOP)

IC51-0122-1836



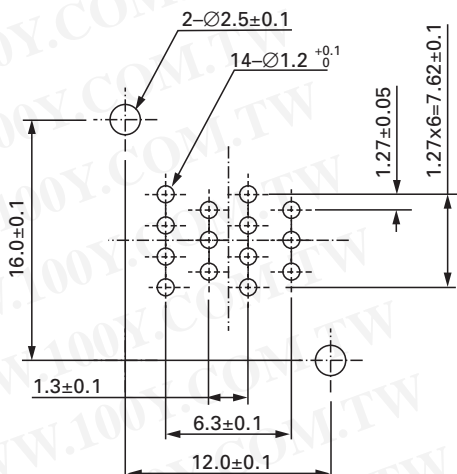
14 pins (SOP)

IC51-0142-951



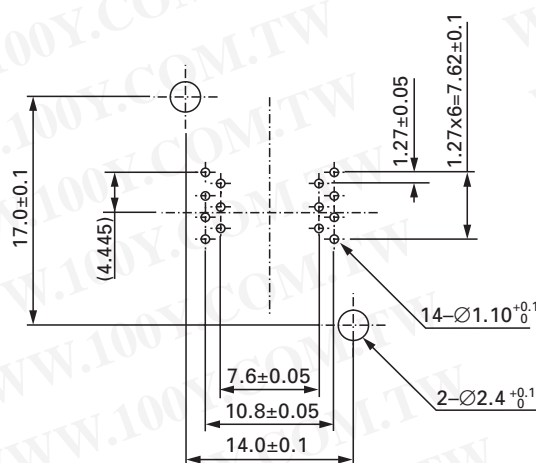
14 pins (SOP)

IC51-0142-084



14 pins (SOP)

IC51-1035.KS-15187



IC51 - Clamshell

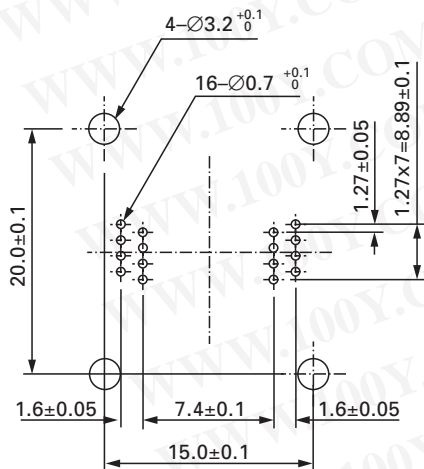
Small Outline Package (SOP)



Recommended PCB Layouts (8-16 pins)

16 pins (SOP)

IC51-0162-658

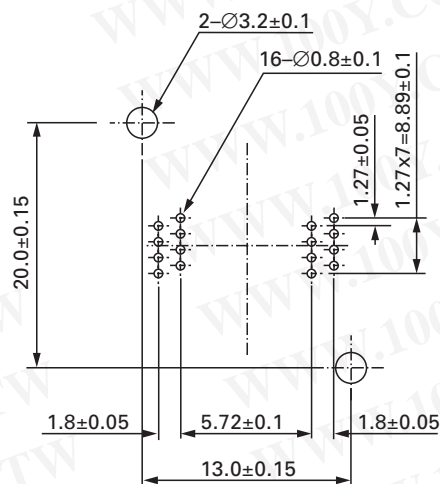


16 pins (SOP)

IC51-0162-271-1

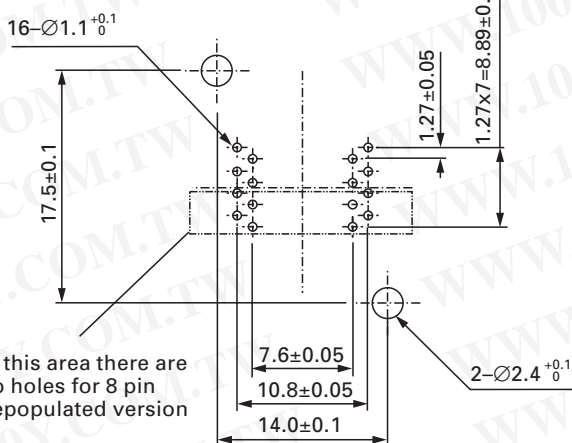
IC51-0162-271-2

IC51-0162-271-3



16 pins (SOP)
8 pins (SOP)

IC51-0162-1035
IC51-1035.KS-10460

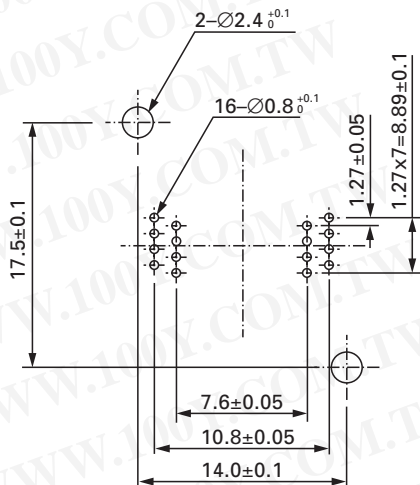


In this area there are no holes for 8 pin depopulated version

勝特力材料 886-3-5753170
勝特力电子(上海) 86-21-34970699
勝特力电子(深圳) 86-755-83298787
[Http://www.100y.com.tw](http://www.100y.com.tw)

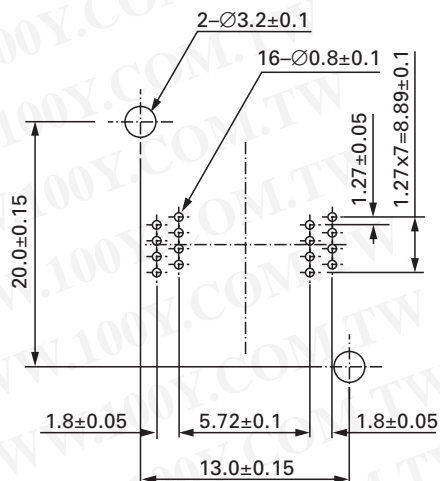
16 pins (SOP)

IC51-0162-1042



16 pins (SOP)

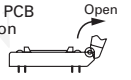
IC51-0162-272-1



IC51 - Clamshell

Small Outline Package (SOP)

Socket & PCB Orientation

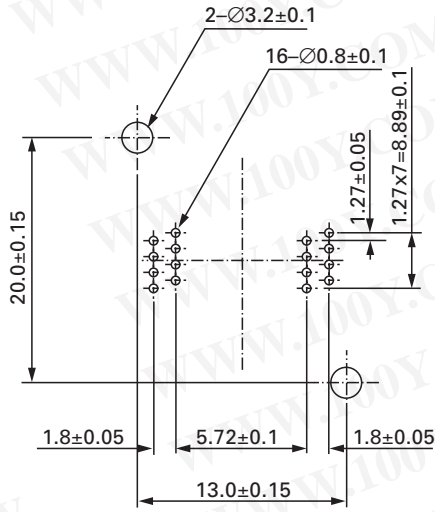


Top View from Socket

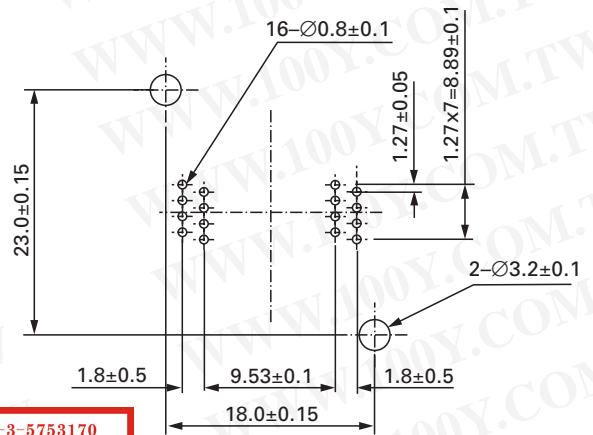


Recommended PCB Layouts (16-20 pins)

16 pins (SOP) IC51-0162-273-1

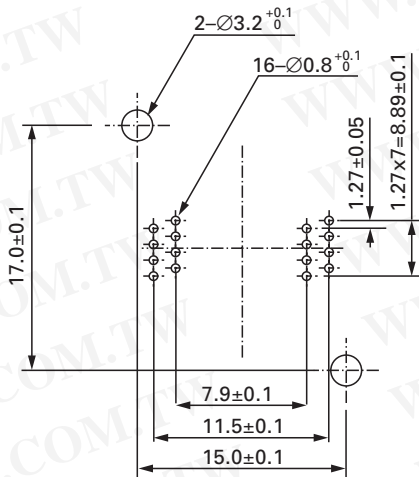


16 pins (SOP) IC51-347.KS-7704

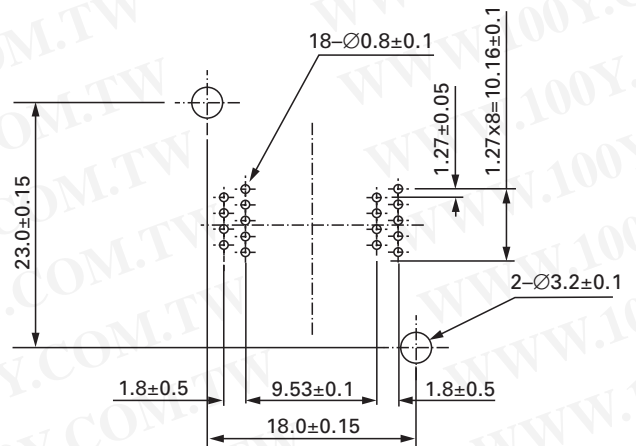


勝特力材料 886-3-5753170
 勝特力电子(上海) 86-21-34970699
 勝特力电子(深圳) 86-755-83298787
[Http://www.100y.com.tw](http://www.100y.com.tw)

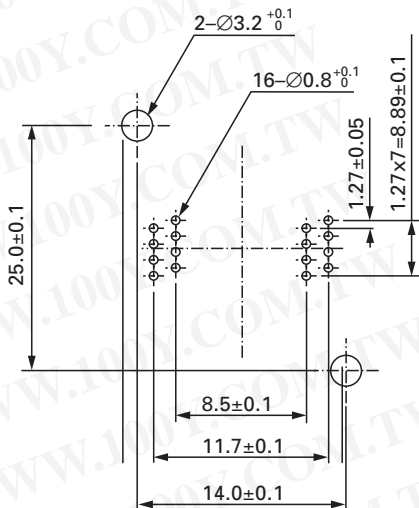
16 pins (SOP) IC51-0162-902-2



18 pins (SOP) IC51-0347.KS-6768



16 pins (SOP) IC51-0162-1025



20 pins (SOP) IC51-334.KS-13574

