

Specifications

Insulation Resistance: 1,000MΩ min. at 500V DC
 Dielectric Withstanding Voltage: 700V AC for 1 minute
 Contact Resistance: 30mΩ max. at 10mA/20mV max.
 Operating Temperature Range: -40°C to +150°C (type PSF)
 -55°C to +170°C (type PES & PEI)
 Mating Cycles: 10,000 insertions min.

Materials and Finish

Housing: Polysulphone (PSF), glass-filled
 Polyethersulphone (PES), glass- filled
 Polyetherimide (PEI), glass-filled
 Contacts: Beryllium Copper (BeCu)
 Plating: Gold over Nickel

Part Number (Details)

IC51 - 016 2 - 911 - MF

Series No.

No. of Contact Pins

No. of Sides with Contacts

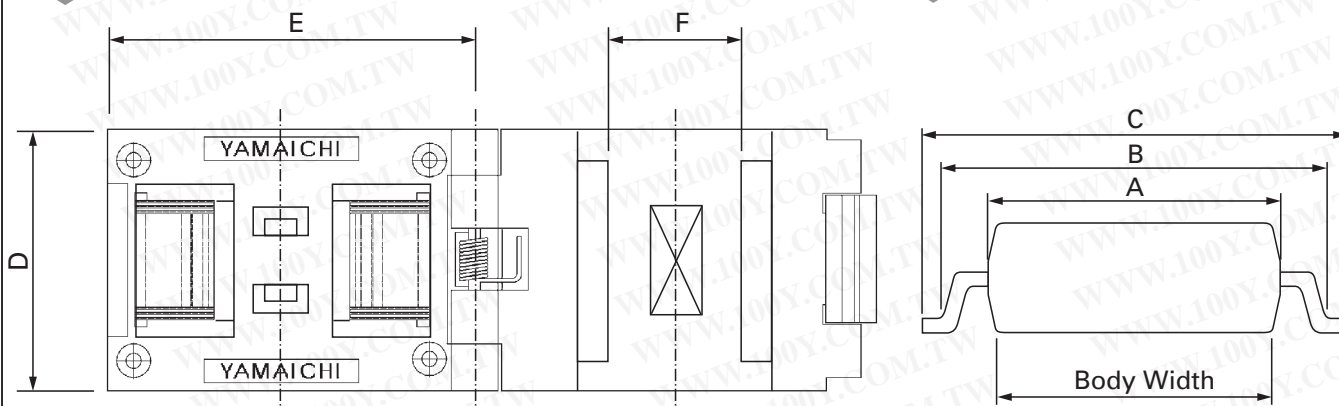
Design Number

MF= Flanged
 Unmarked = Not Flanged

Applicable Dimensions (Reference Only)

Example of a SSOP Socket

Outline IC Dimensions



SSOP Clamshell

Part Number	Pin Count	Pitch (mm)	Matching IC Dim.				Note	Socket Dimensions		
			Body Width	A (max)	B (max)	C (nom.)		D	E	F
IC51-778.AS-8409	14	0.65	4.4	4.6	5.6	6.4	S	16.0	32.0	5.6
IC51-0162-911	16	0.65	4.4	4.5	5.6	6.4	FB	16.0	32.0	5.6
IC51-0162-778	16	0.65	4.4	4.6	5.6	6.4	S	16.0	32.0	5.6
IC51-755.KS-7514	16	0.65	5.6	5.8	6.7	7.6	S	16.0	32.0	6.7
IC51-0202-779	20	0.65	4.4	4.6	5.6	6.4	S	16.0	32.0	5.6
IC51-0202-912	20	0.65	4.4	5.0	5.6	6.4	FB	16.0	32.0	5.6
IC51-755.KS-7631	20	0.65	5.6	5.8	6.7	7.6	S	16.0	32.0	6.7
IC51-0242-913	24	0.65	5.6	5.7	6.7	7.6	FB	16.0	32.0	6.7
IC51-0242-761	24	0.65	5.6	5.8	6.7	7.6	S	16.0	32.0	6.7
IC51-0282-673-1	28	0.55	11.8	11.8	12.6	13.4	FB	15.0	37.0	12.6
IC51-755.KS-13330	28	0.65	5.6	5.8	6.7	7.6	S	16.0	32.0	6.7
IC51-0302-914	30	0.65	5.6	5.7	6.7	7.6	FB	16.0	32.0	6.7
IC51-0302-755	30	0.65	5.6	5.8	6.7	7.6	S	16.0	32.0	6.7
IC51-0322-910	32	0.60	14.0	14.0	14.6	15.2	FB	17.5	39.0	14.6
IC51-1387.KS-15186	48	0.635	7.6	7.8	9.4	10.3	S	21.0	35.0	9.4
IC51-0562-1387	56	0.635	7.6	7.8	9.4	10.3	S	21.0	35.0	9.4
IC51-0722-1955-1	72	0.65		11.0	12.3	13.03	S	39.0	42.0	112.3

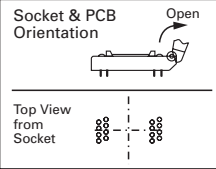
勝特力材料 886-3-5753170
 勝特力电子(上海) 86-21-34970699
 勝特力电子(深圳) 86-755-83298787
[Http://www.100y.com.tw](http://www.100y.com.tw)

Note: Sockets with (S) "Separator" can accept and properly align lower pin count devices.

Sockets with (FB) "Floating Base" will only accept devices with the same pin count as the socket.

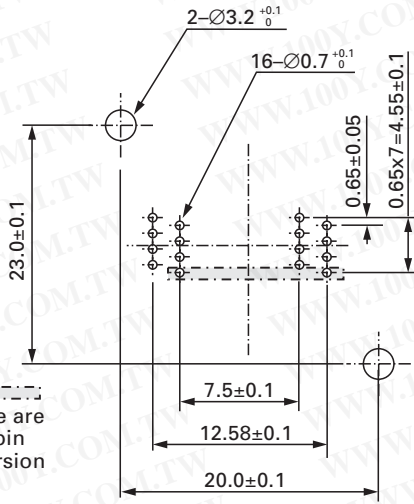
IC51 - Clamshell

Shrink Small Outline Package (SSOP)



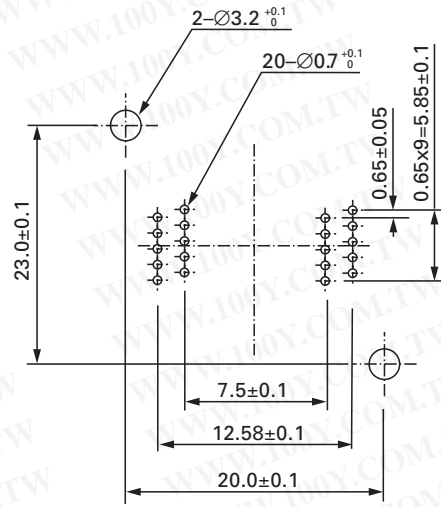
Recommended PCB Layouts (16 to 24 pins)

14 pins (SSOP) IC51-778.AC-08545
16 pins (SSOP) IC51-0162-778

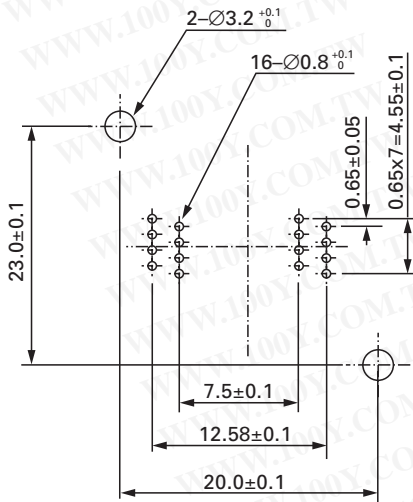


In this area there are no holes for 14 pin depopulated version

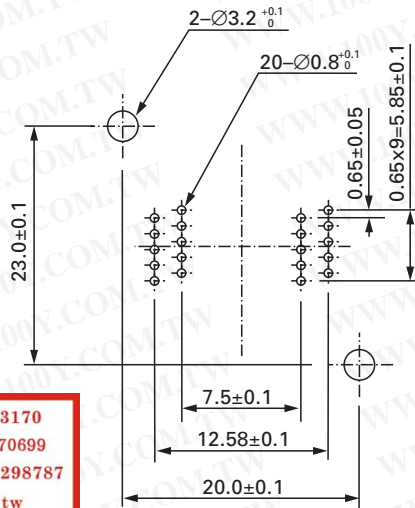
20 pins (SSOP) IC51-0202-779



16 pins (SSOP) IC51-0162-911

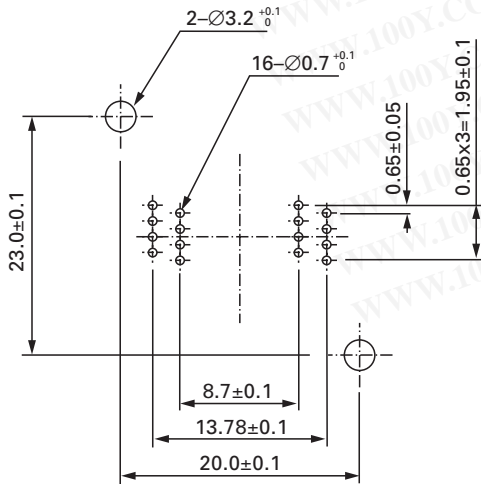


20 pins (SSOP) IC51-0202-912

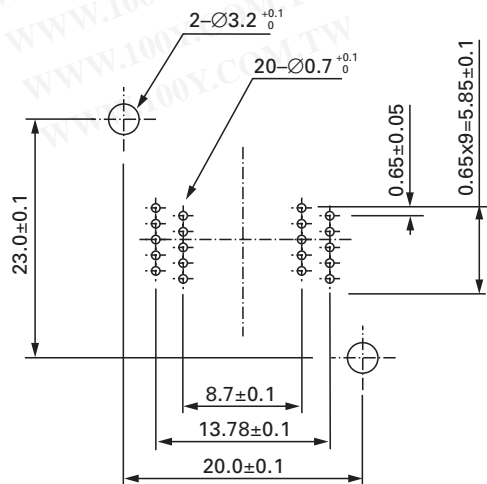


勝特力材料 886-3-5753170
勝特力电子(上海) 86-21-34970699
勝特力电子(深圳) 86-755-83298787
[Http://www.100y.com.tw](http://www.100y.com.tw)

16 pins (SSOP) IC51-755.KS-7514

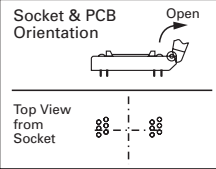


20 pins (SSOP) IC51-755.KS-7631



IC51 - Clamshell

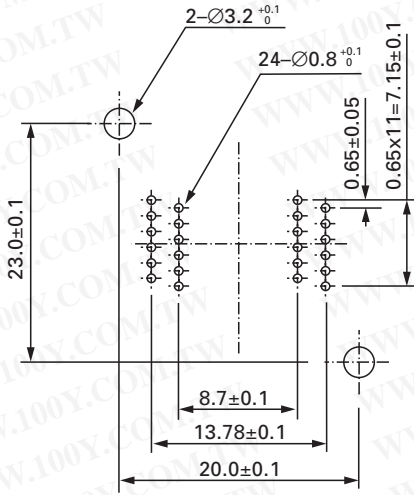
Shrink Small Outline Package (SSOP)



Recommended PCB Layouts (24 to 30 pins)

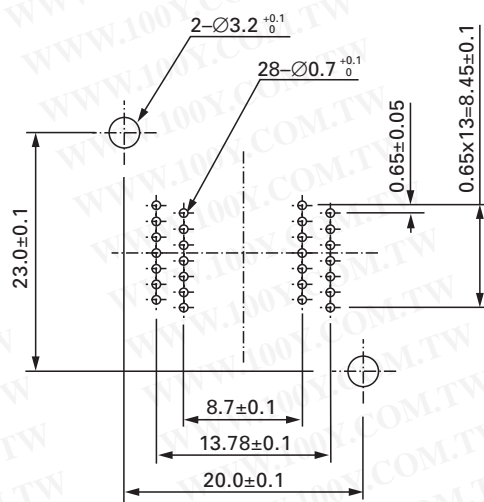
24 pins (SSOP)

IC51-0242-913



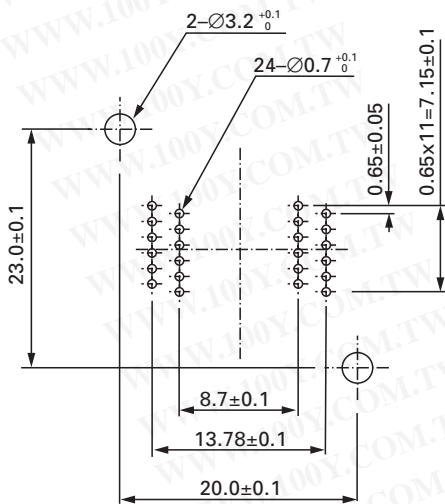
28 pins (SSOP)

IC51-755.KS-13330



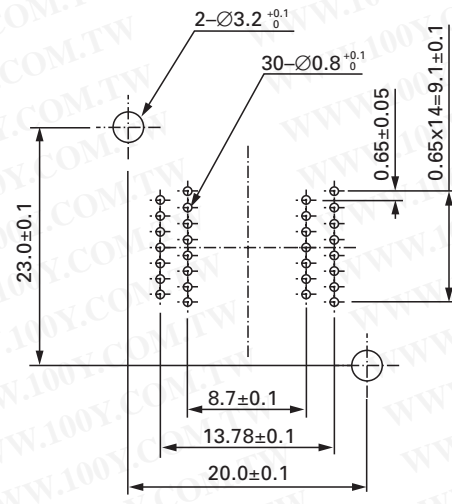
24 pins (SSOP)

IC51-0242-761



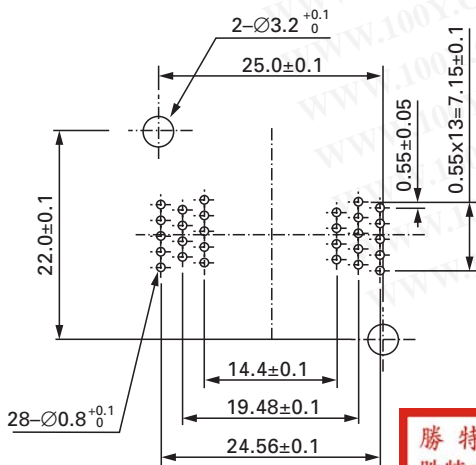
30 pins (SSOP)

IC51-0302-914



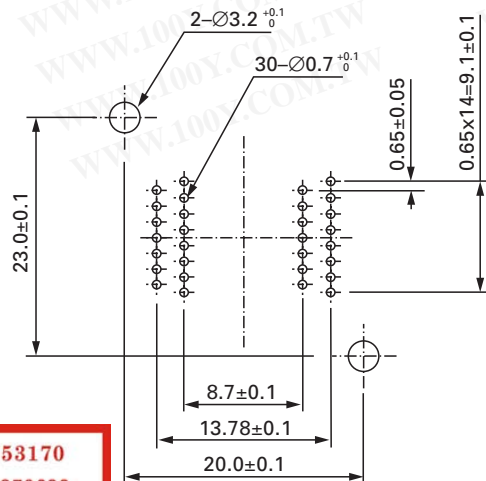
28 pins (SSOP)

IC51-0282-673-1



30 pins (SSOP)

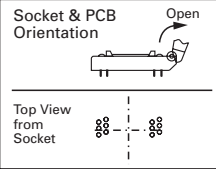
IC51-0302-755



勝特力材料 86-3-5753170
 勝特力电子(上海) 86-21-34970699
 勝特力电子(深圳) 86-755-83298787
[Http://www.100y.com.tw](http://www.100y.com.tw)

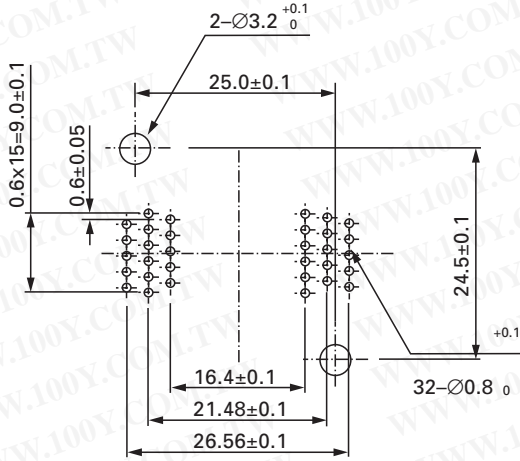
IC51 - Clamshell

Shrink Small Outline Package (SSOP)

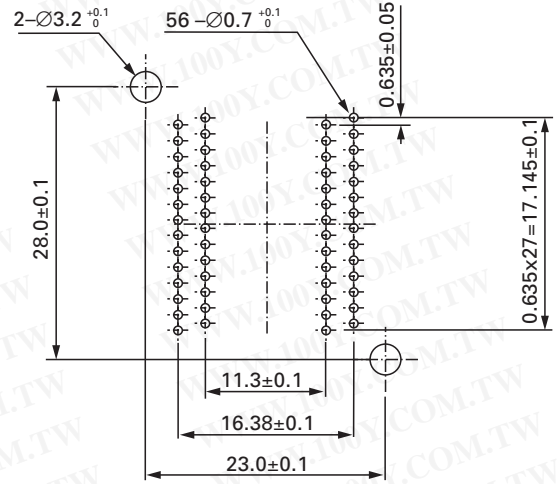


Recommended PCB Layouts (32 to 72 pins)

32 pins (SSOP) IC51-0322-910

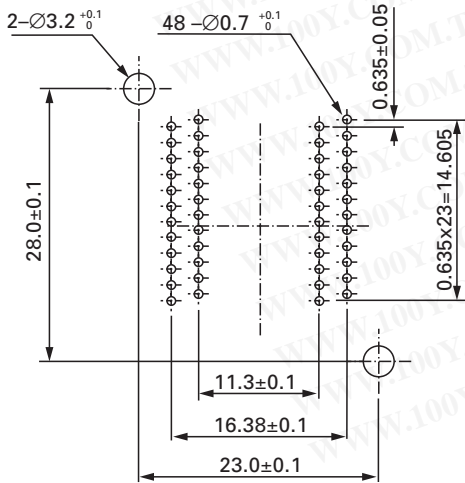


56 pins (SSOP) IC51-0562-1387



勝特力材料 886-3-5753170
勝特力电子(上海) 86-21-34970699
勝特力电子(深圳) 86-755-83298787
[Http://www.100y.com.tw](http://www.100y.com.tw)

48 pins (SSOP) IC51-1387.KS-15186



72 pins (SSOP) IC51-0722-1955-1

