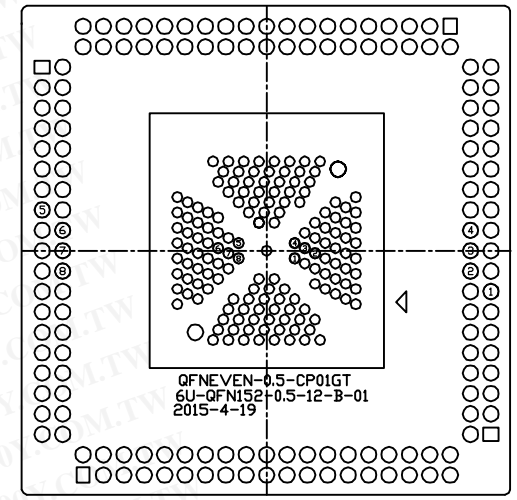
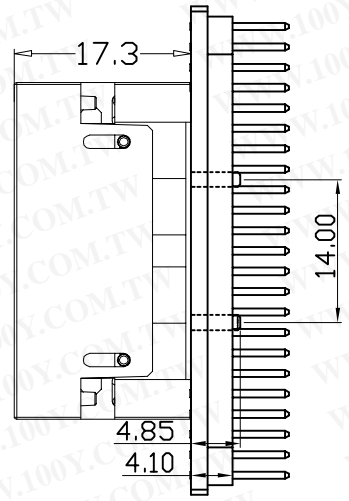
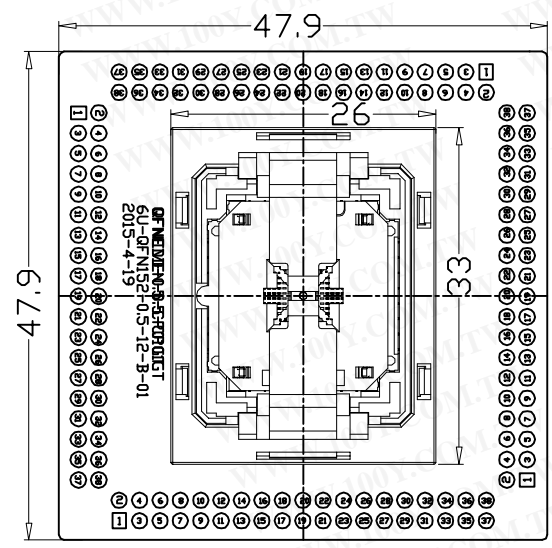
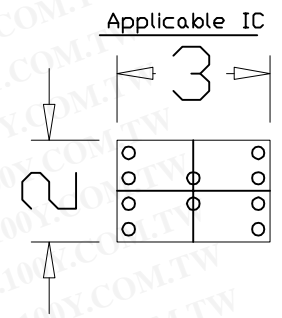
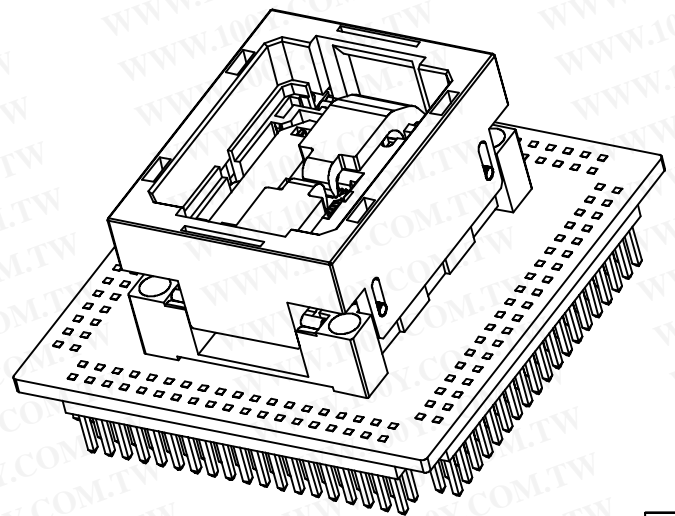
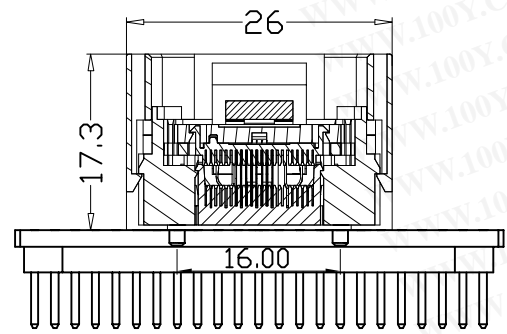


REVISION	DESCRIPTION	CHECK	APP	DATE	REV. NOTICE. NO
△1					
△2					
△3					

# QFN 偶数万能转接板连线图



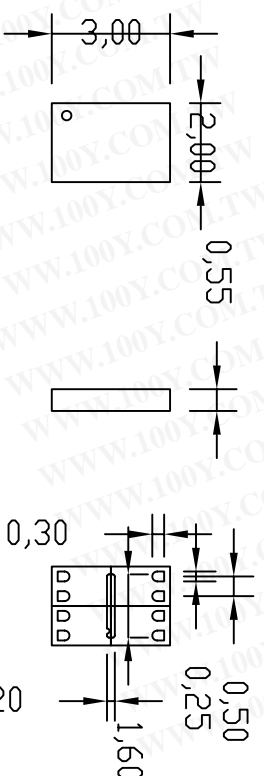
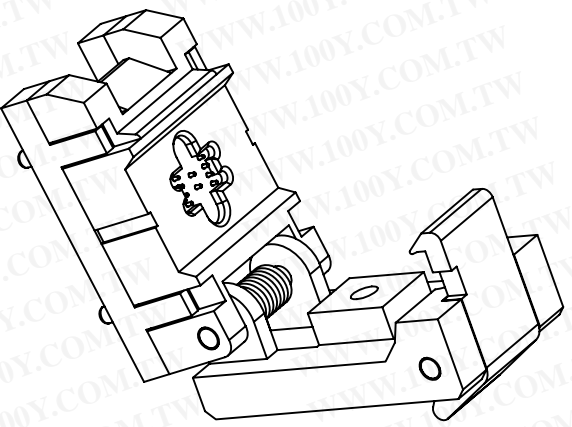
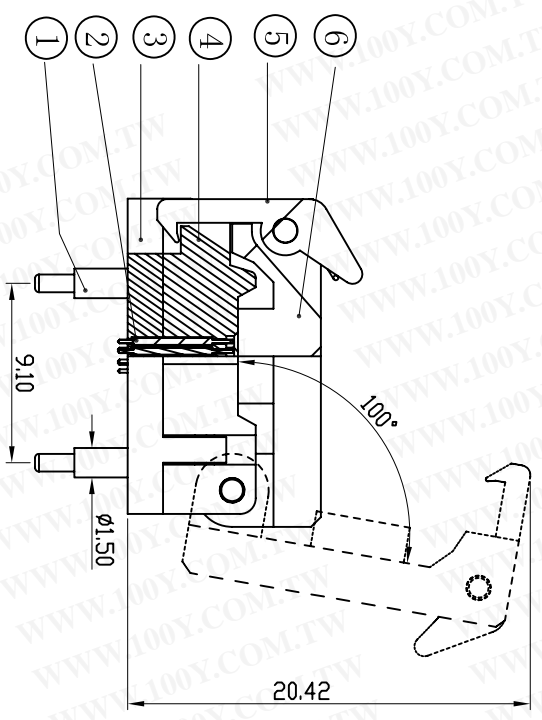
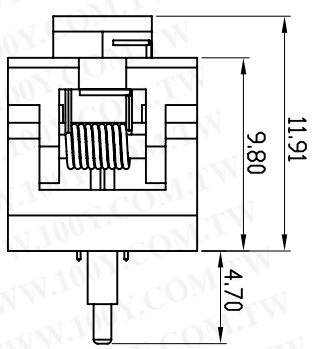
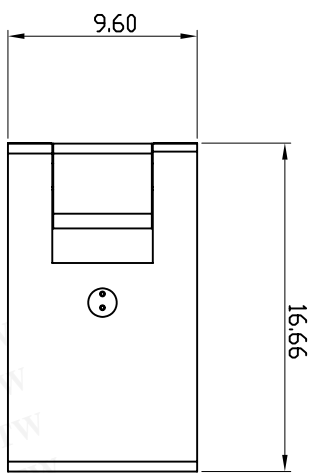
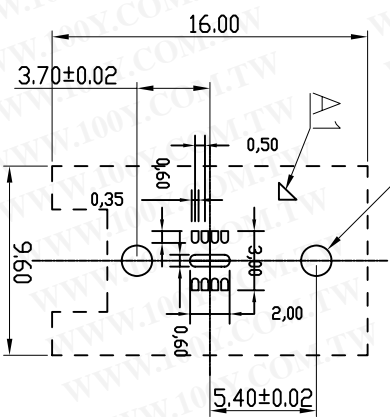
勝特力材料 886-3-5753170  
 勝特力电子(上海) 86-21-34970699  
 勝特力电子(深圳) 86-755-83298787  
[Http://www.100y.com.tw](http://www.100y.com.tw)



PROJECTION		GENERAL TOLERANCES	±0.10	TITLE	DFN8-0.5 SOCKET
		REV	A	CLASS	7L-24016B-201
DIMENSION:	mm	SCALE:	1:1	DRW. NO	7L-PWQFN-0.5-8-B-01
APP:		DATE:			
CHECK:		DATE:			
DECK:		DATE:	20120822		

REVISION	DESCRIPTION	CHECK APP	DATE	REVISION	NO
Δ1					
Δ2					
Δ3					

PCB Pattern(TOP View)



Applicable IC 2:1

TOP VIEW SIDE VIEW BOTTOM VIEW

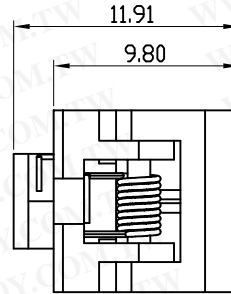
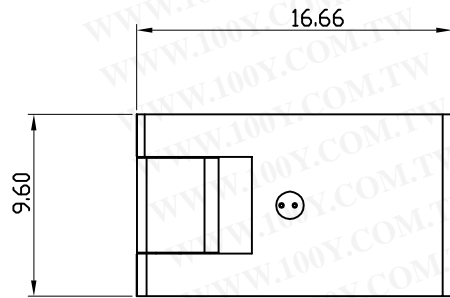
PERFORMANCE

1. Insulation Resistance: 1000M $\Omega$  Min At DC 500V
2. Dielectric Withstanding Voltage For 1 Minute At AC 700V
3. Contact Resistance 30m $\Omega$  MAX. at 10mA and 20mV MAX.(Initial)
4. Current Rating: 1A max.
5. Operation Temperature -40°C ~+155°C
6. Life Span 15,000 Times (Mechanical)

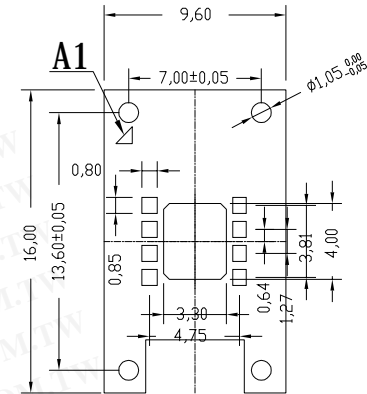
No	Part Number	Name	Material	Q/t/y	Note
1	JZ01-TP	LOCATION COLUMN	BeCu	2	AU PLATING
2	JZ01-TZ	POGOD PIN	BeCu	10	AU PLATING
3	JZ01-01	CURE	PEI	1	BLACK
4	JZ01-02	BASE	PEI	1	BLACK
5	JZ01-03	LATCH	PEI	1	BLACK
	JZ01-04	COVER	PEI	1	BLACK

PROJECTION	GENERAL TOLERANCES	SCALE	DATE	APP:	CHECK:	DECK:	ENG03
	F010	1:1	DATE:	DATE:	DATE:	DATE:	DATE: 20150515
TITLE	CLASS	DRAW. NO					
CXPQFN8-0.5 SOCKET	CXPQFN8-0.5-CP01INT	QFN8-0.5-2X3					

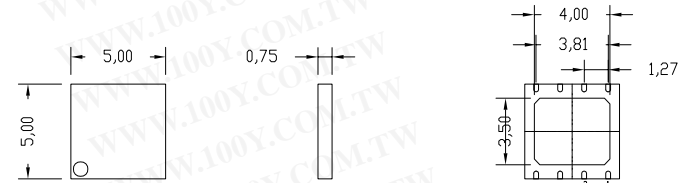
REVISION	DESCRIPTION	CHECK	APP	DATE	REV. NOTICE. NO
1					
2					
3					



PCB Pattern(TOP View)



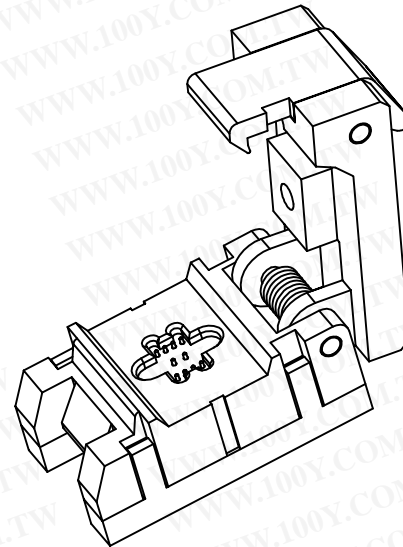
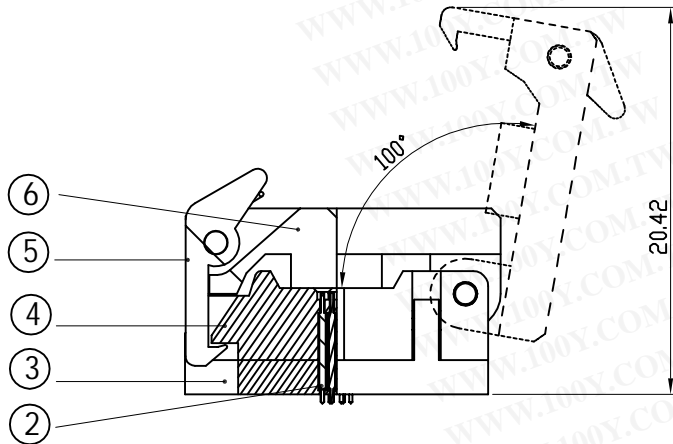
Applicable IC



TOP VIEW

SIDE VIEW

BOTTOM VIEW



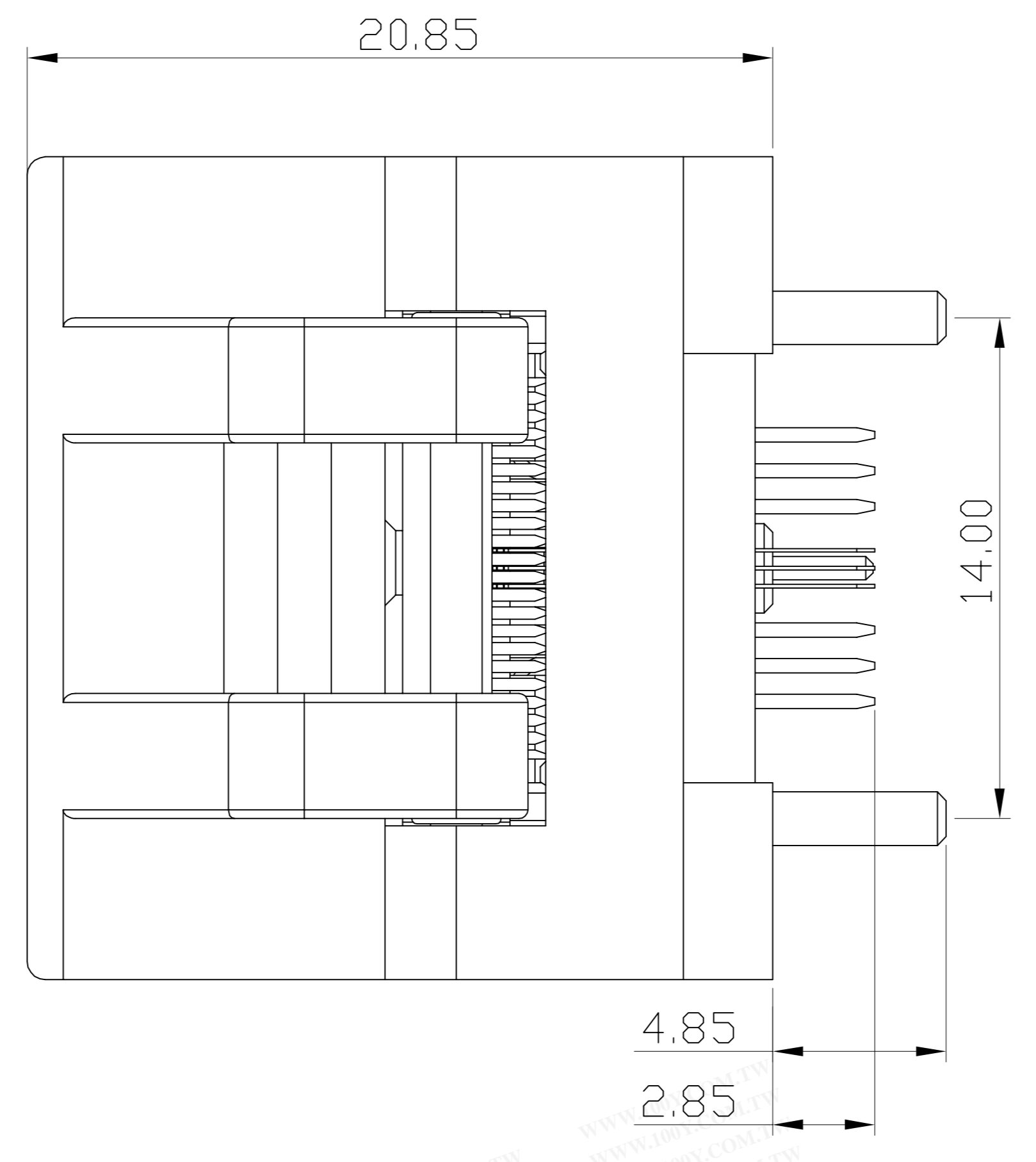
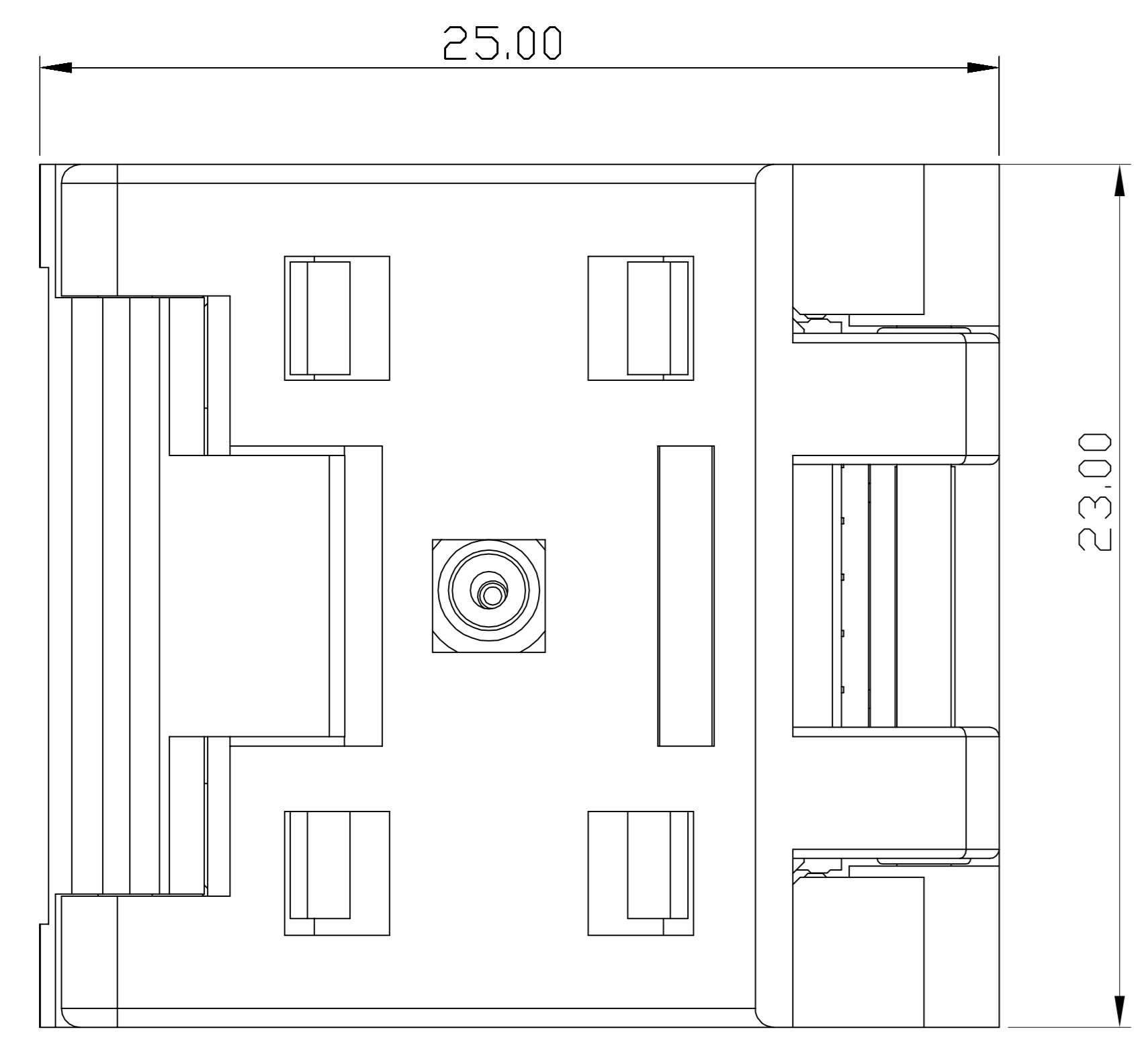
PERFORMANCE

1. Insulation Resistance: 1000MΩ Min.At DC 500V
2. Dielectric Withstanding Voltage For 1 Minute At AC 700V
3. Contact Resistance 80mΩ MAX. at 10mA and 20mV MAX.(Initial)
4. Current Rating: 1A max.
5. Operation Temperature -20°C ~+80°C
6. Life Span 100,000 Times (Mechanical)

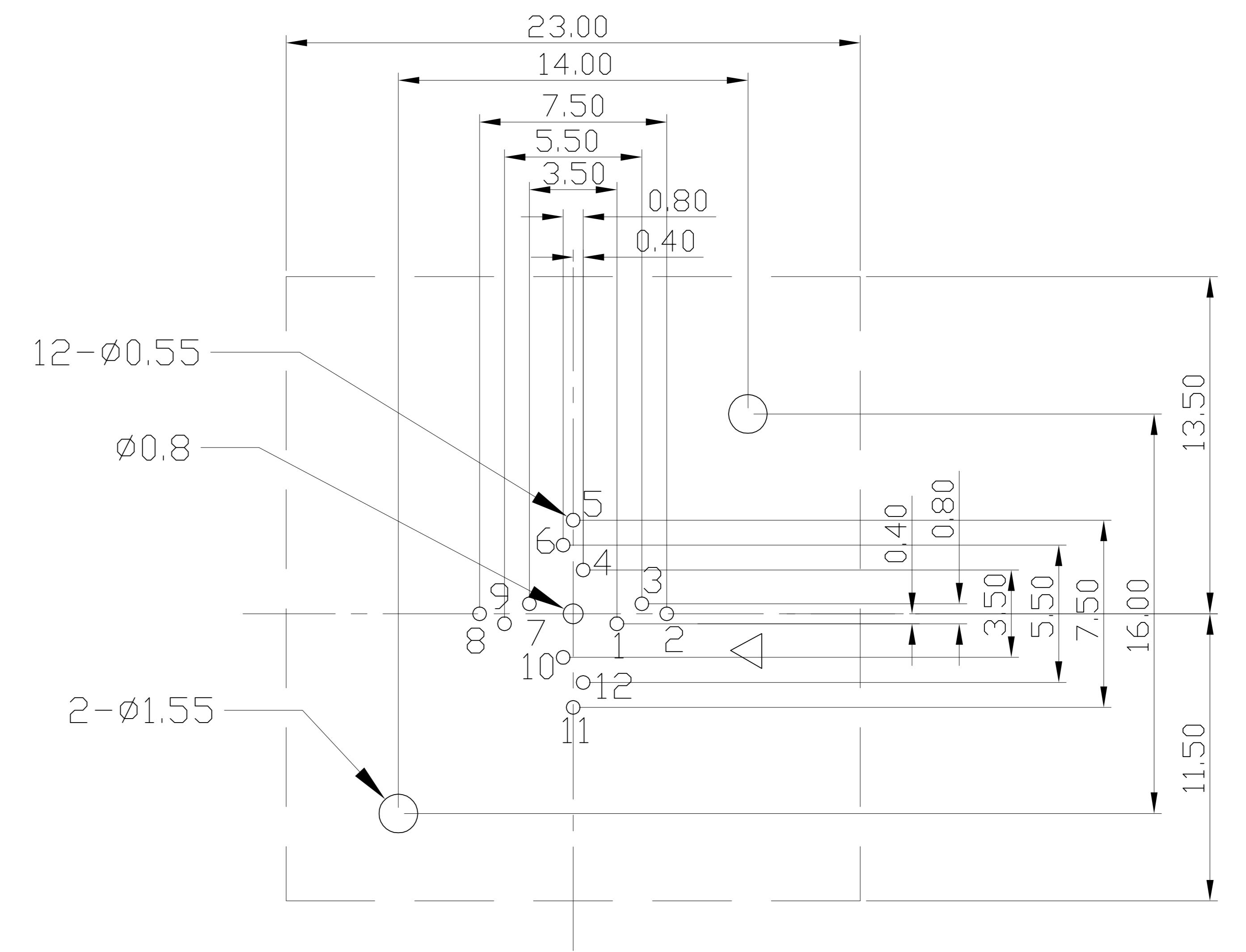
6	JZ01-04	COVER	PEI	1	BLACK
5	JZ01-03	LATCH	PEI	1	BLACK
4	JZ01-02	BASE	PEI	1	BLACK
3	JZ01-01	CORE	PEI	1	BLACK
2	JZ01-TZ	PGGD PIN	BeCu	8	Au PLATING
No	Part Number	Name	Material	Q/ty	Note

PROJECTION		GENERAL TOLERANCES	±0.10	TITLE	CXPQFN8-1.27 SOCKET
		REV	A	CLASS	CXPQFN8-1.27-CP01NT
DIMENSION:	mm	SCALE:	1:1	DRW. NO	QFN8-1.27-5X5
APP:		DATE:			
CHECK:		0801845			
DECK:	ENG03-ZX	DATE:	20170727		

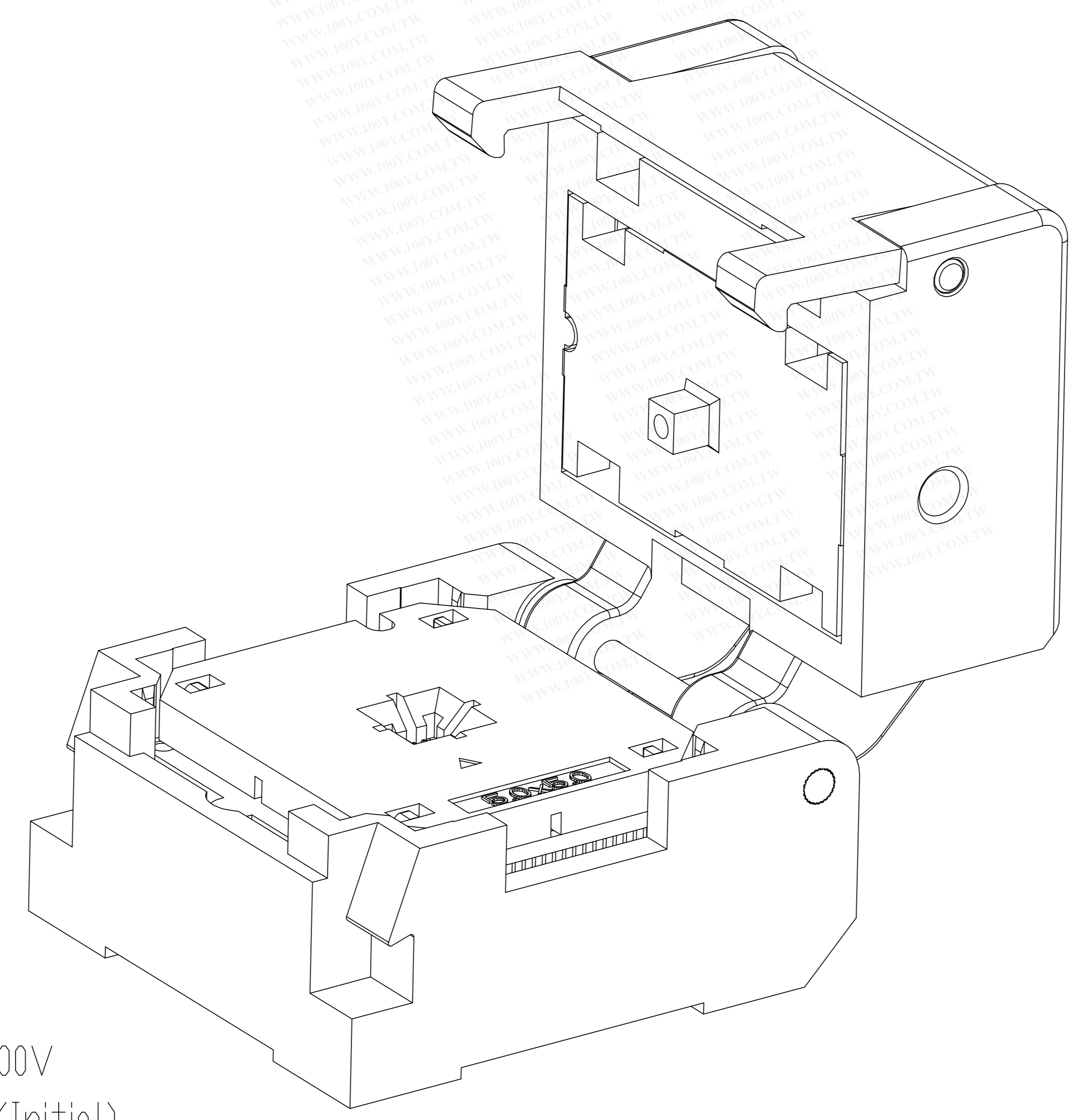
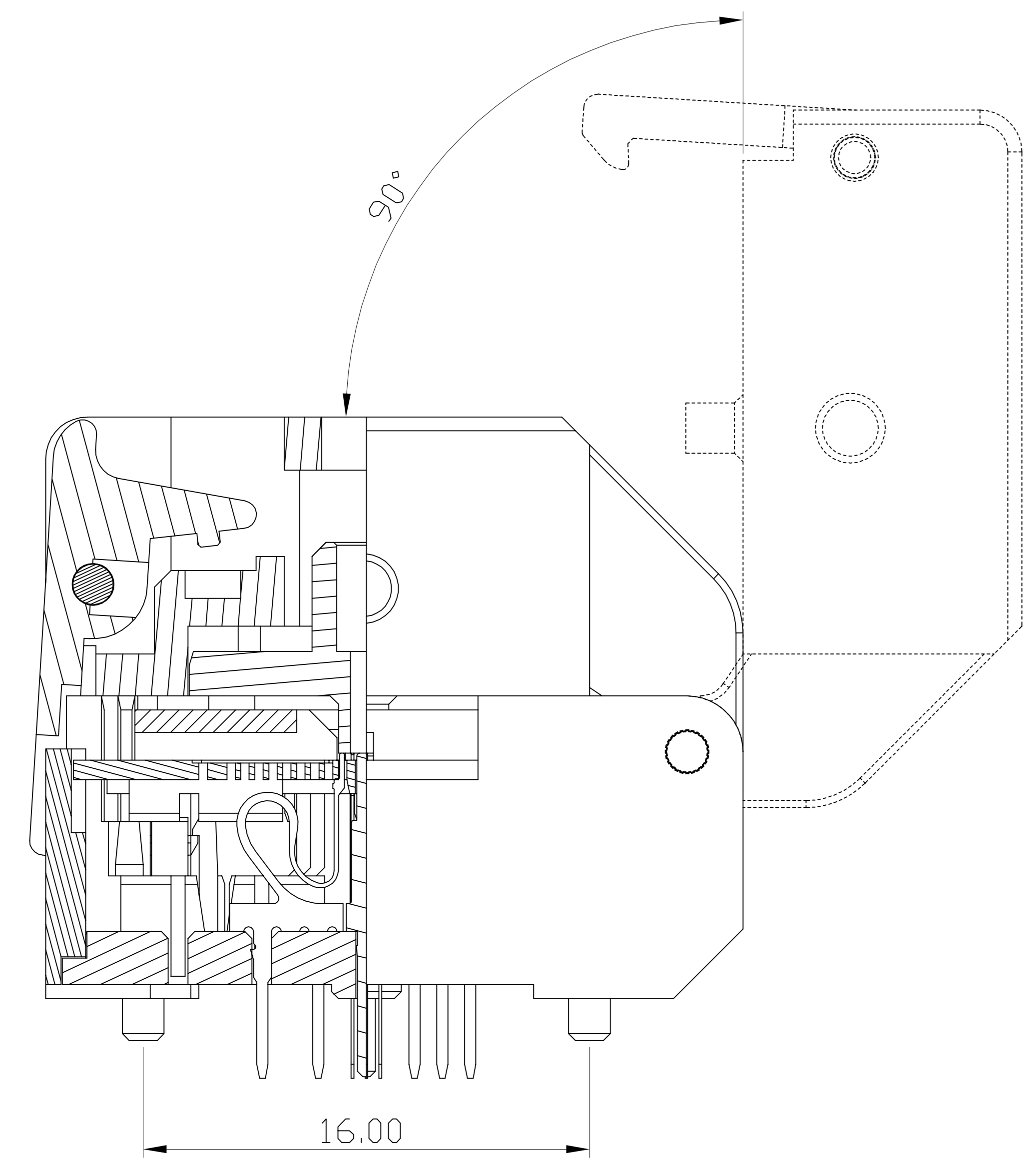
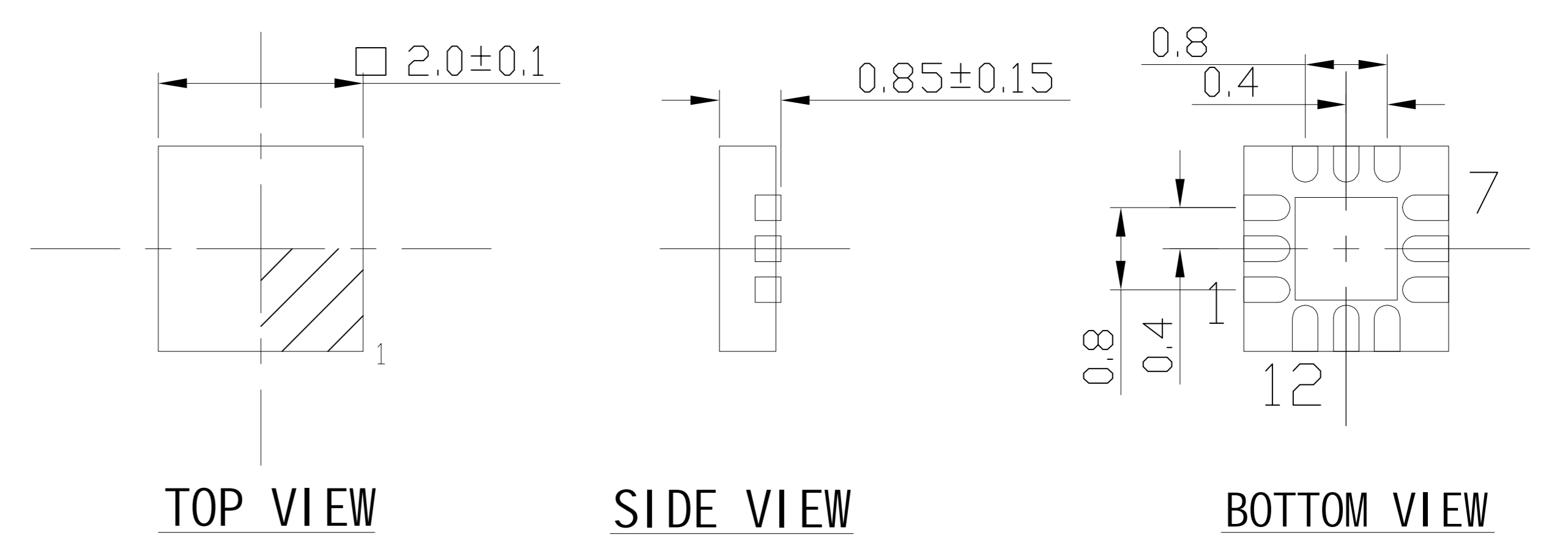
REVISION	DESCRIPTION	CHECK	APP	DATE	REV. NOTICE. NO
△ 1					
△ 2					
△ 3					



PCB Pattern(TOP View)



Applicable IC



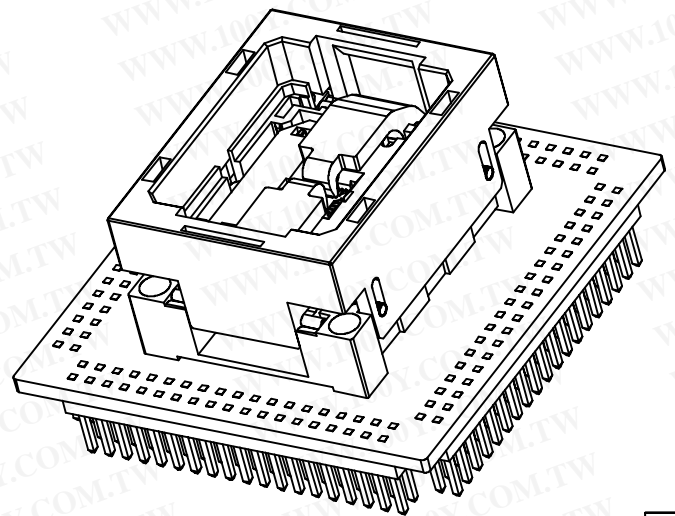
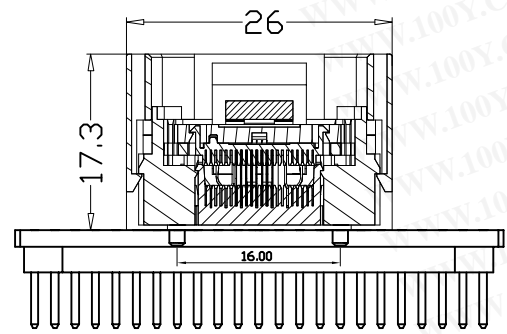
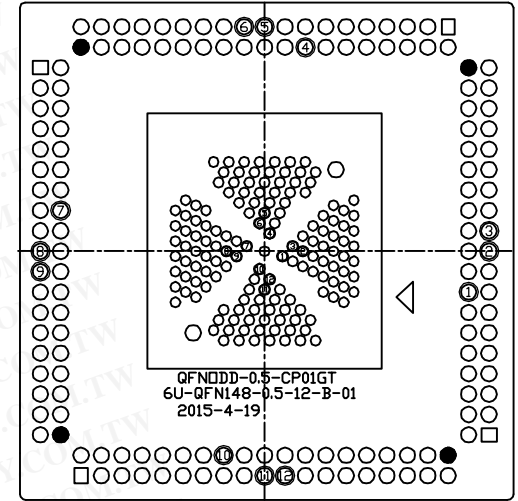
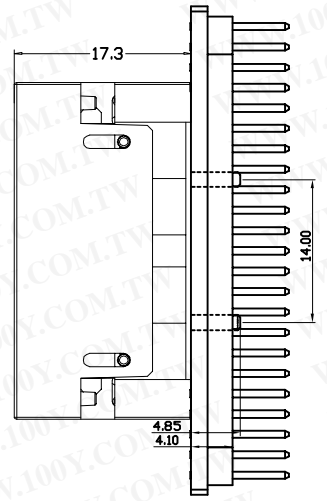
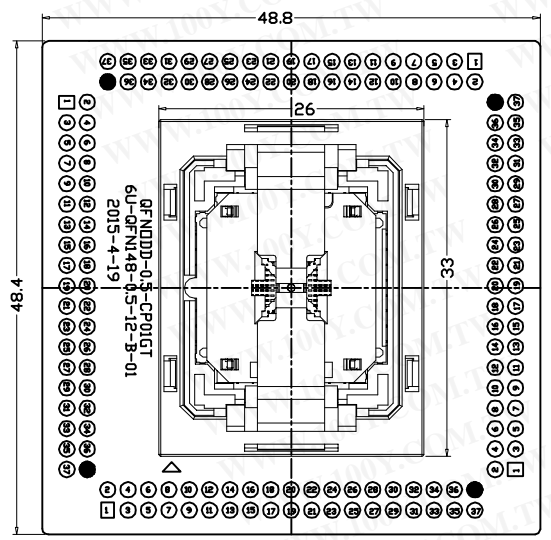
PERFORMANCE

1. Insulation Resistance: 1000MΩ Min.At DC 500V
2. Dielectric Withstanding Voltage For 1 Minute At AC 700V
3. Contact Resistance 30mΩ MAX. at 10mA and 20mV MAX.(Initial)
4. Current Rating: 1A max.
5. Operation Temperature -55°C ~+175°C
6. Life Span 15,000 Times (Mechanical)
7. Operation Force 2.0 Kg MAX

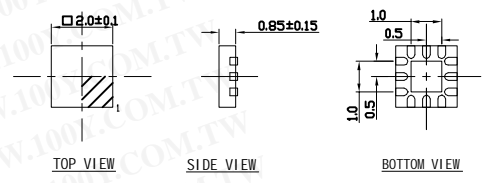
TOLERANCE	PROJECTION	GENERAL TOLERANCES	±0.10	TITLE	QFN12-0.4 SOCKET
X.	± 0.50	DIMENSION: mm	SCALE: 1:1	CLASS	QFN12-0.4-CP01GT
X.X	± 0.25	APP:	DATE:		6U-PWQFN-0.4-12-2X2-01
X.XX	± 0.10	CHECK:	DATE:		
X.XXX	± 0.05	DEGK: ENG03	DATE: 20150606		

REVISION	DESCRIPTION	CHECK	APP	DATE	REV. NOTICE. NO
1					
2					
3					

# QFN 奇数万能转接板连线图

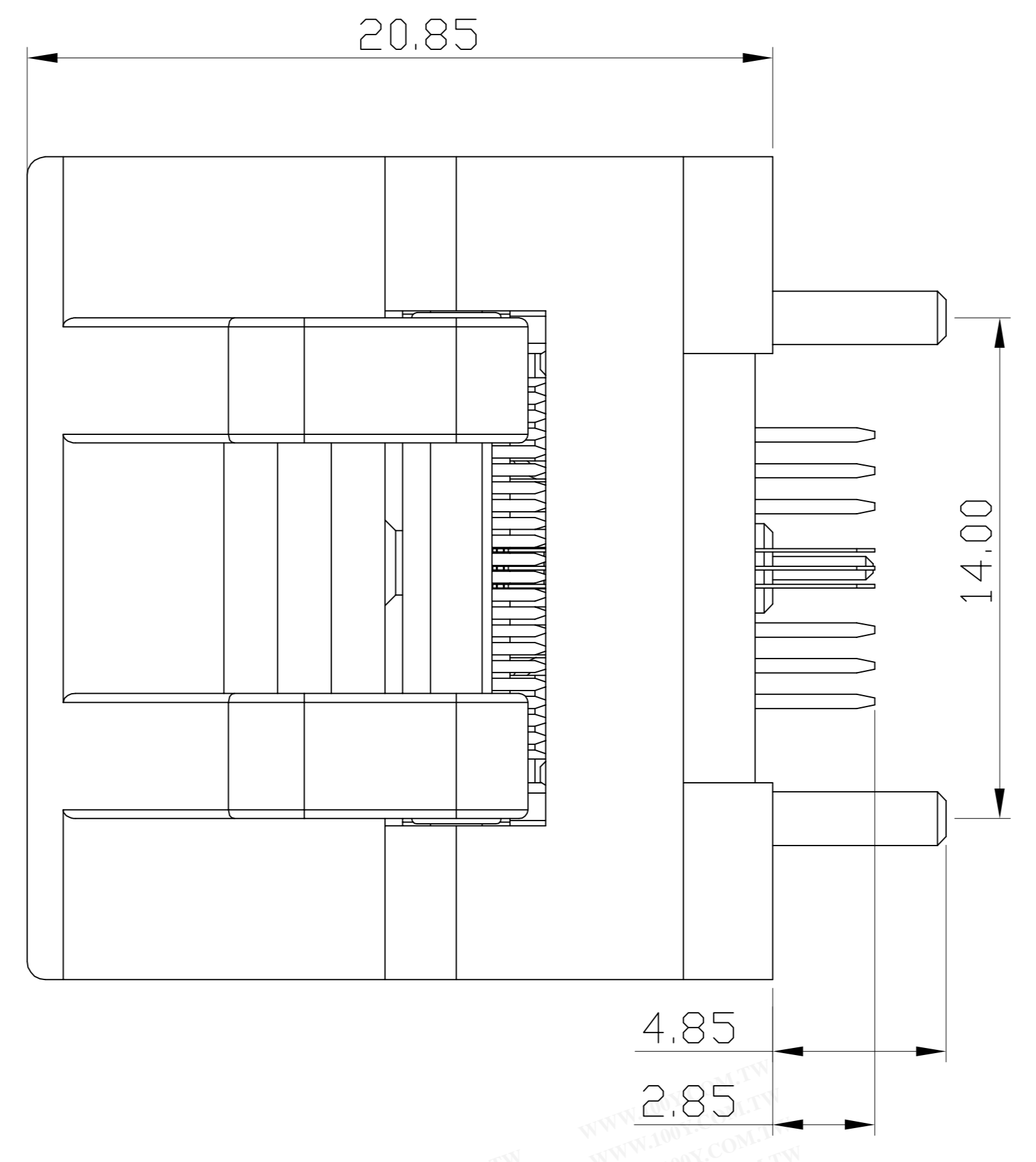
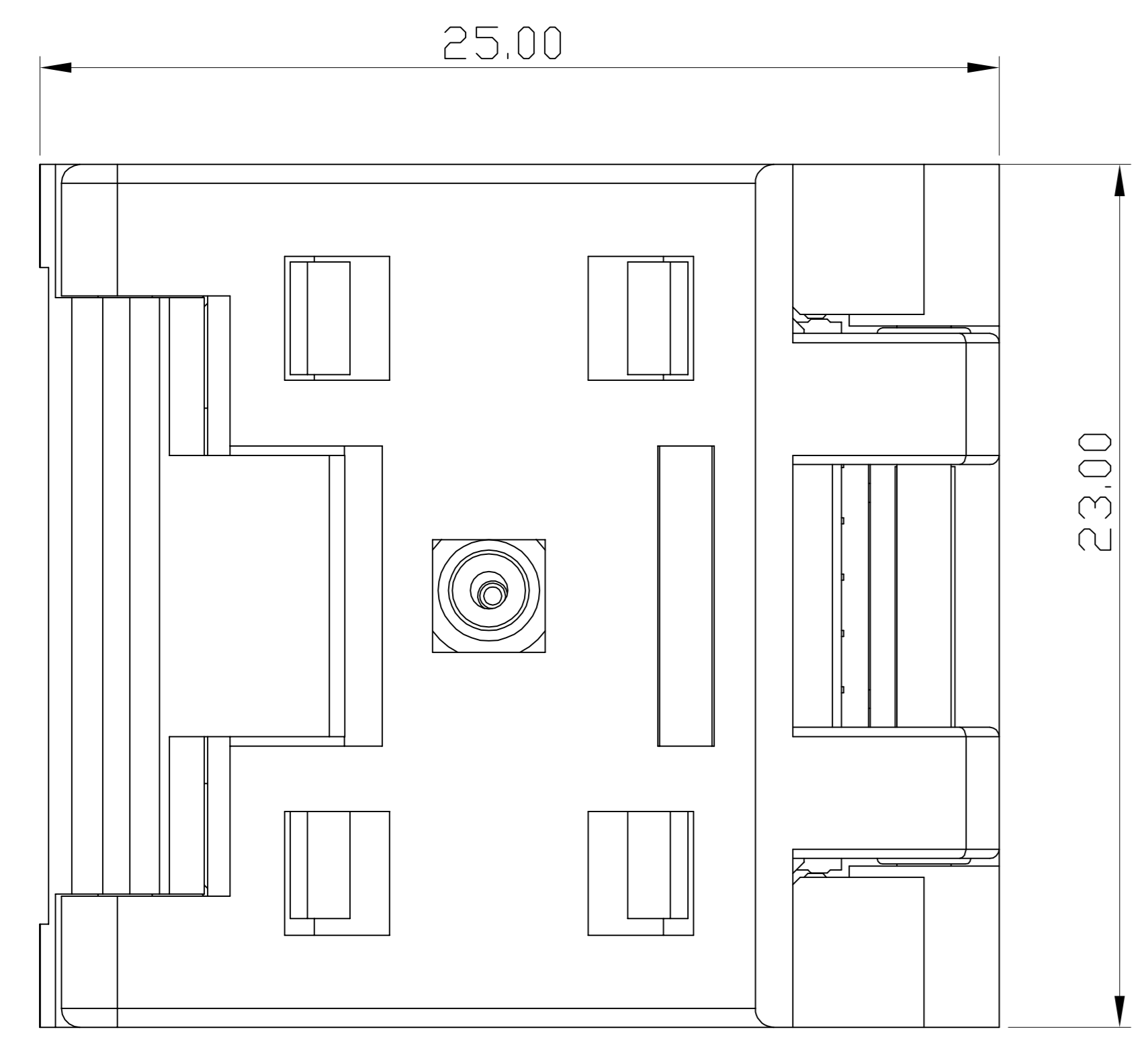


Applicable IC

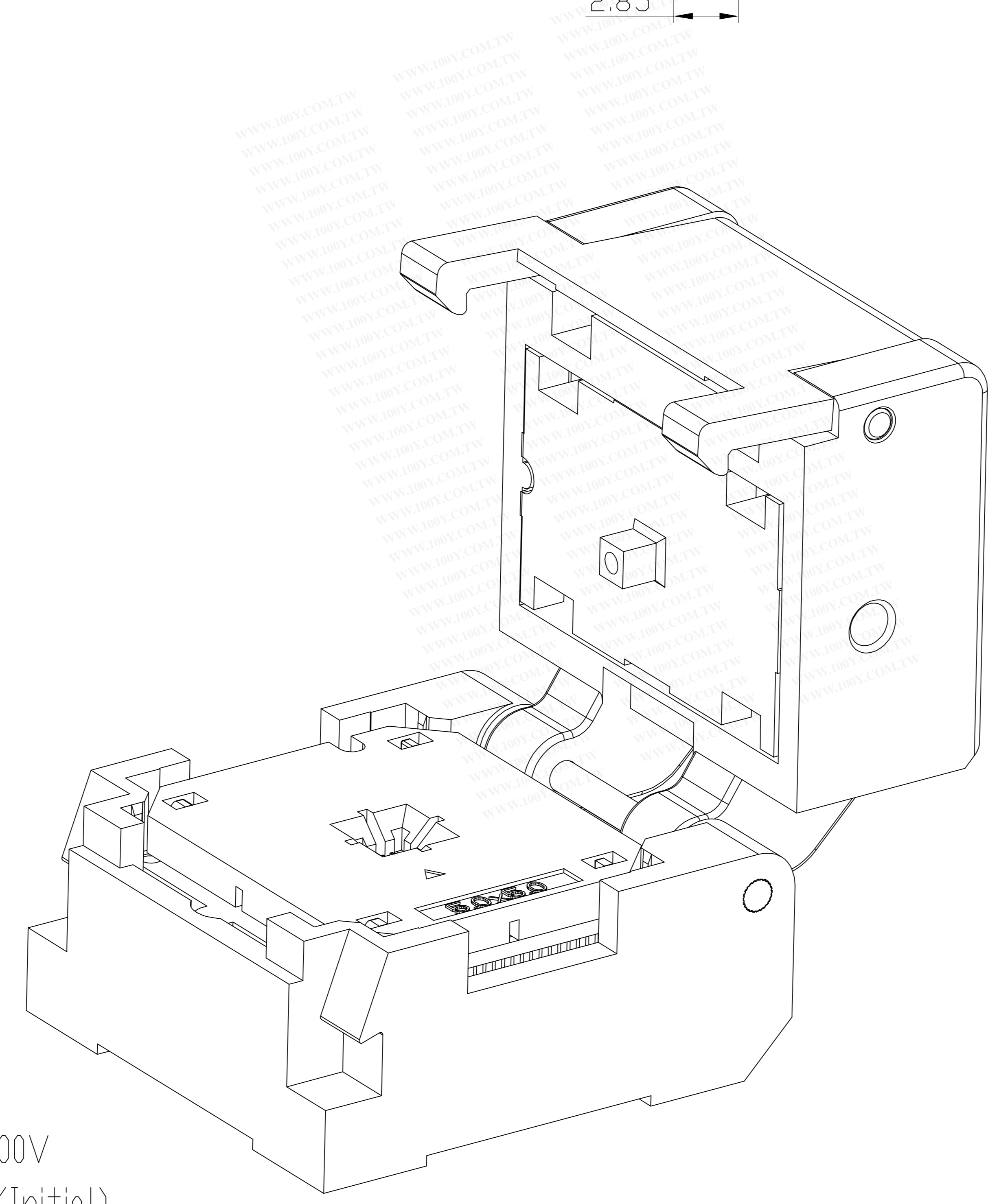
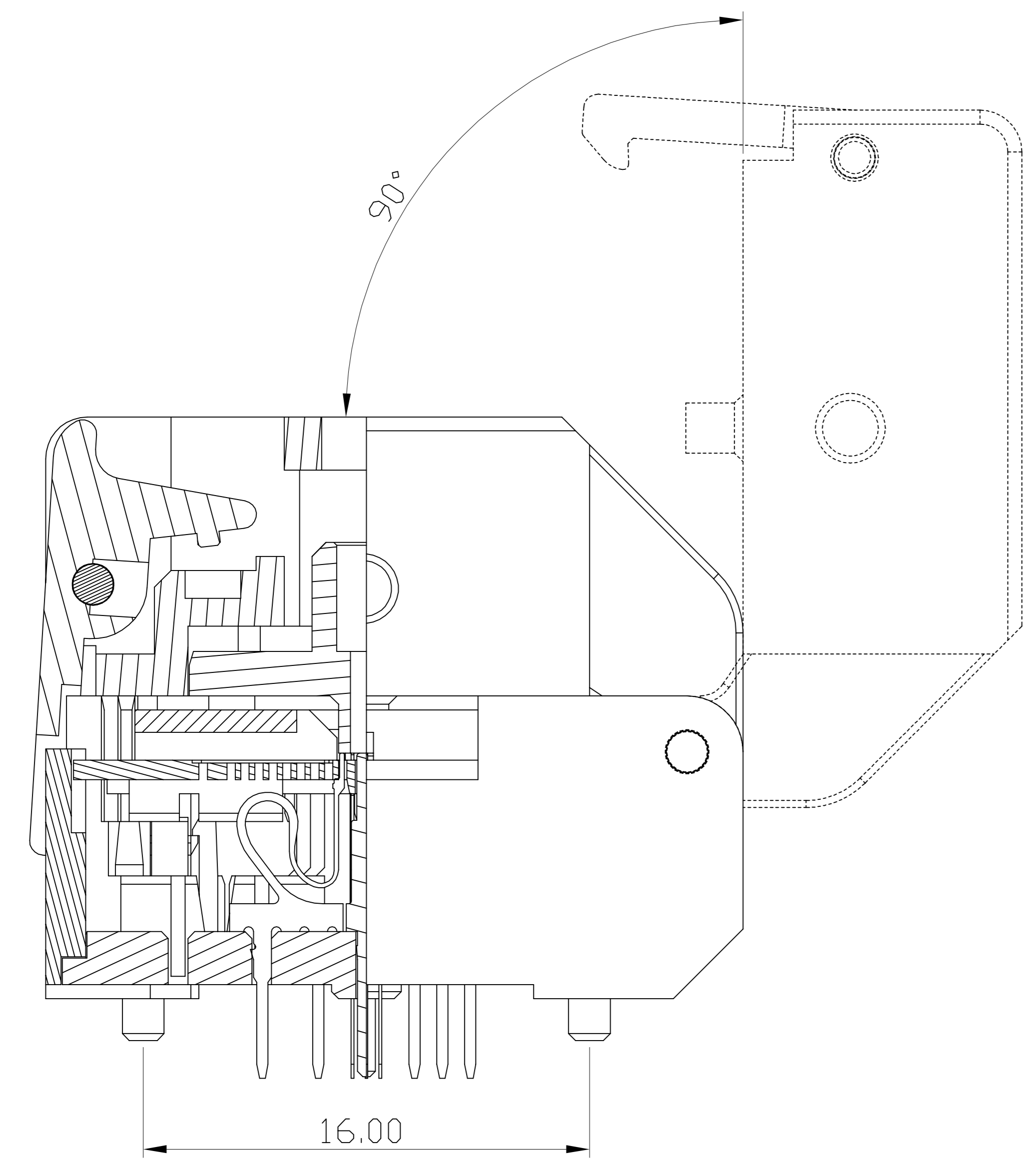
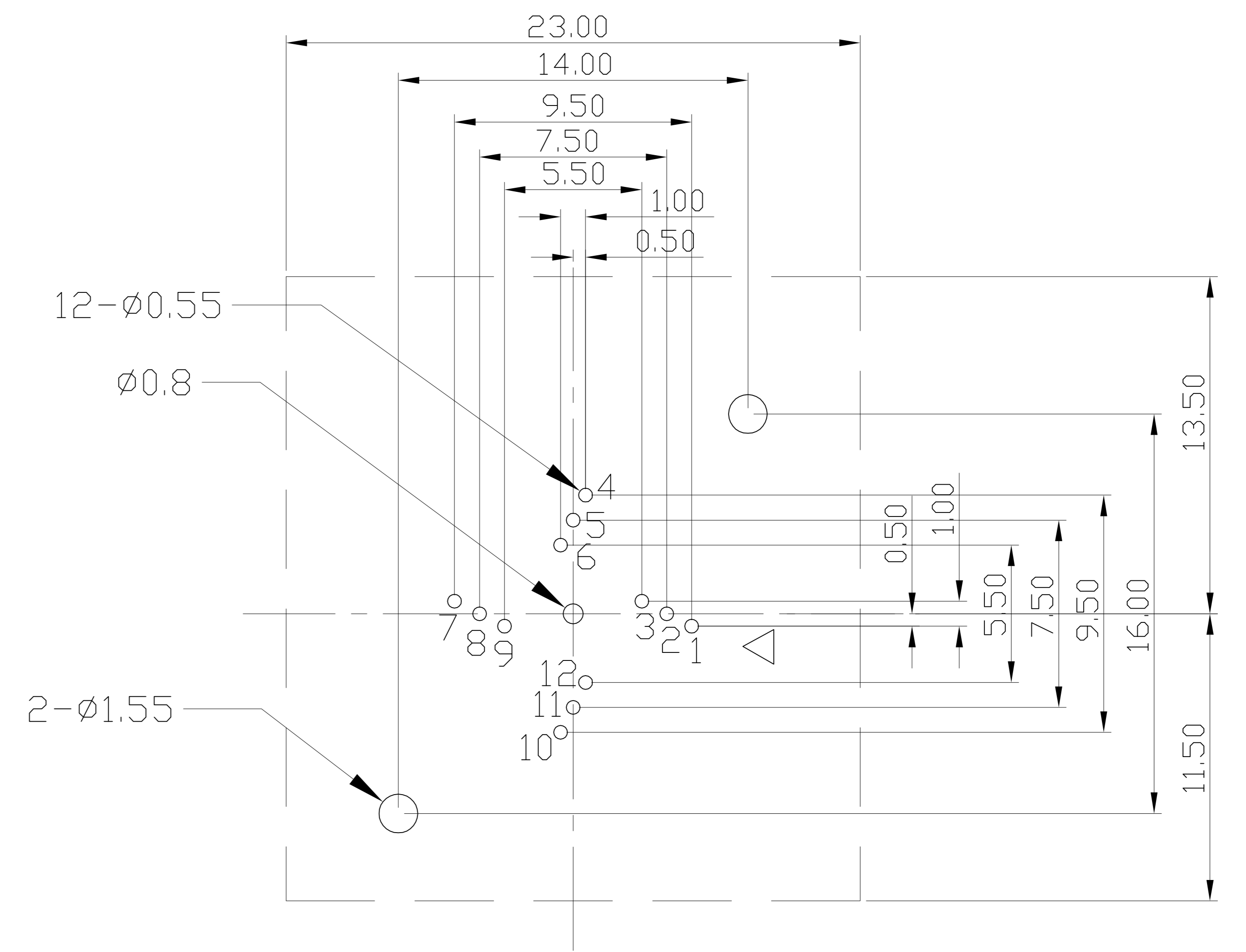


PROJECTION		GENERAL TOLERANCES	±0.10	TITLE	QFN12-0.5 SOCKET
		REV	A	CLASS	7L-24012B-101
DIMENSION:	mm	SCALE:	1:1	DRW. NO	7L-PWQFN-0.5-12-B-01
APP:		DATE:			
CHECK:		DATE:			
DECK:		DATE:	20120822		

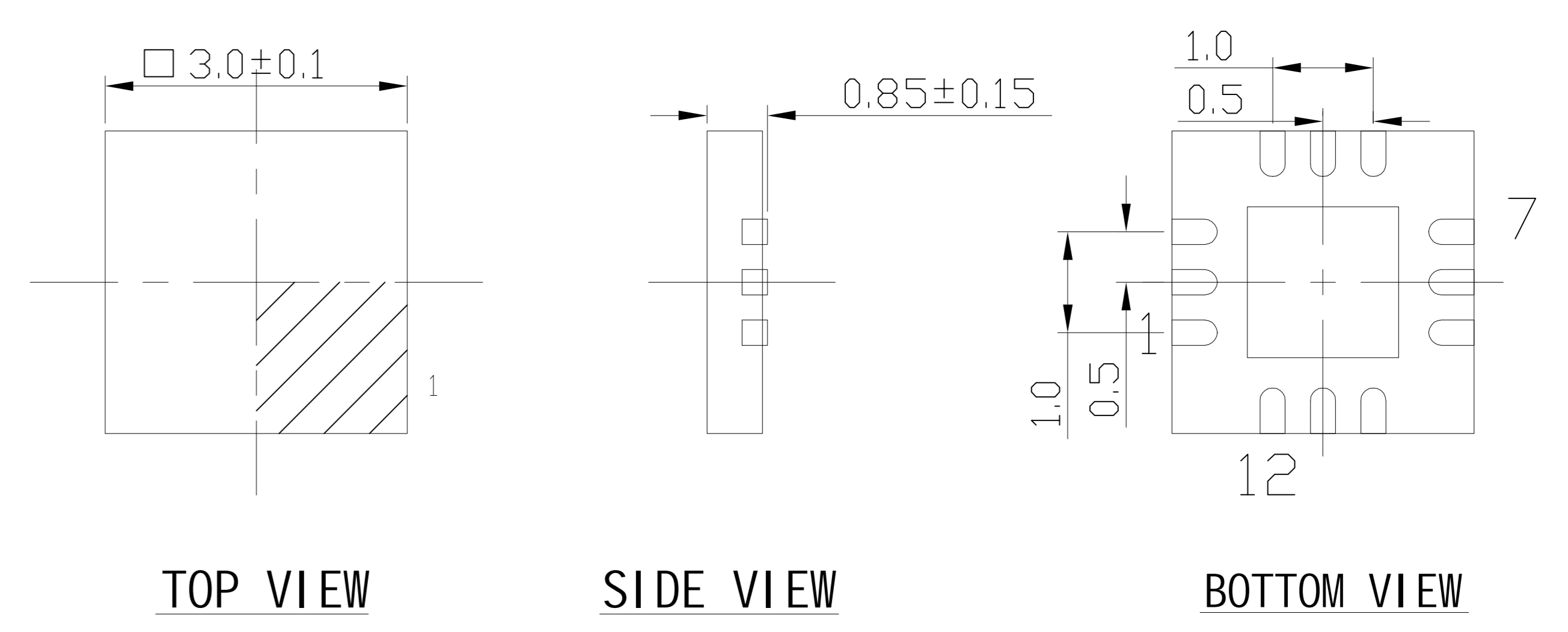
REVISION	DESCRIPTION	CHECK	APP	DATE	REV. NOTICE. NO
△ 1					
△ 2					
△ 3					



PCB Pattern(TOP View)



Applicable IC

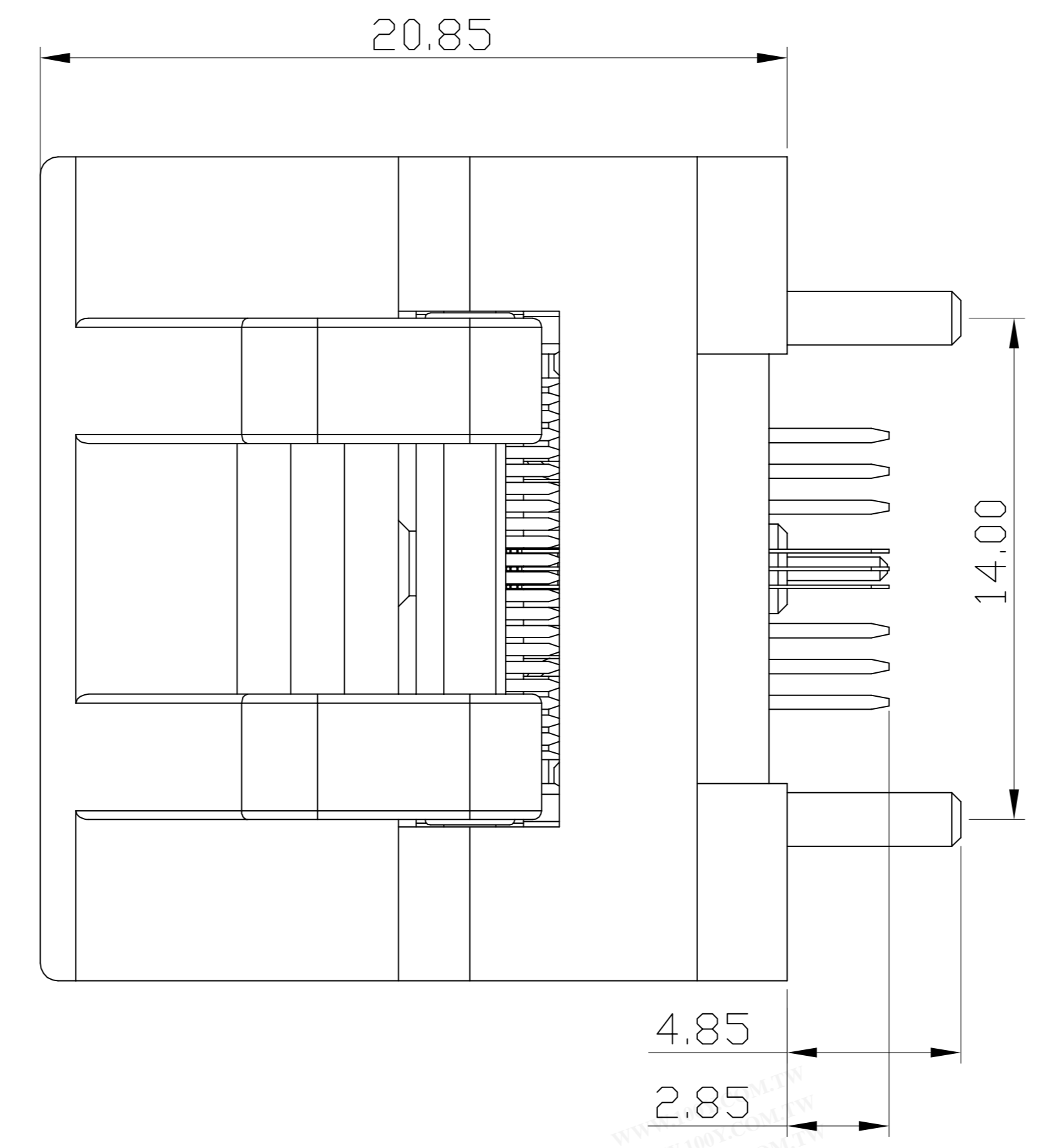
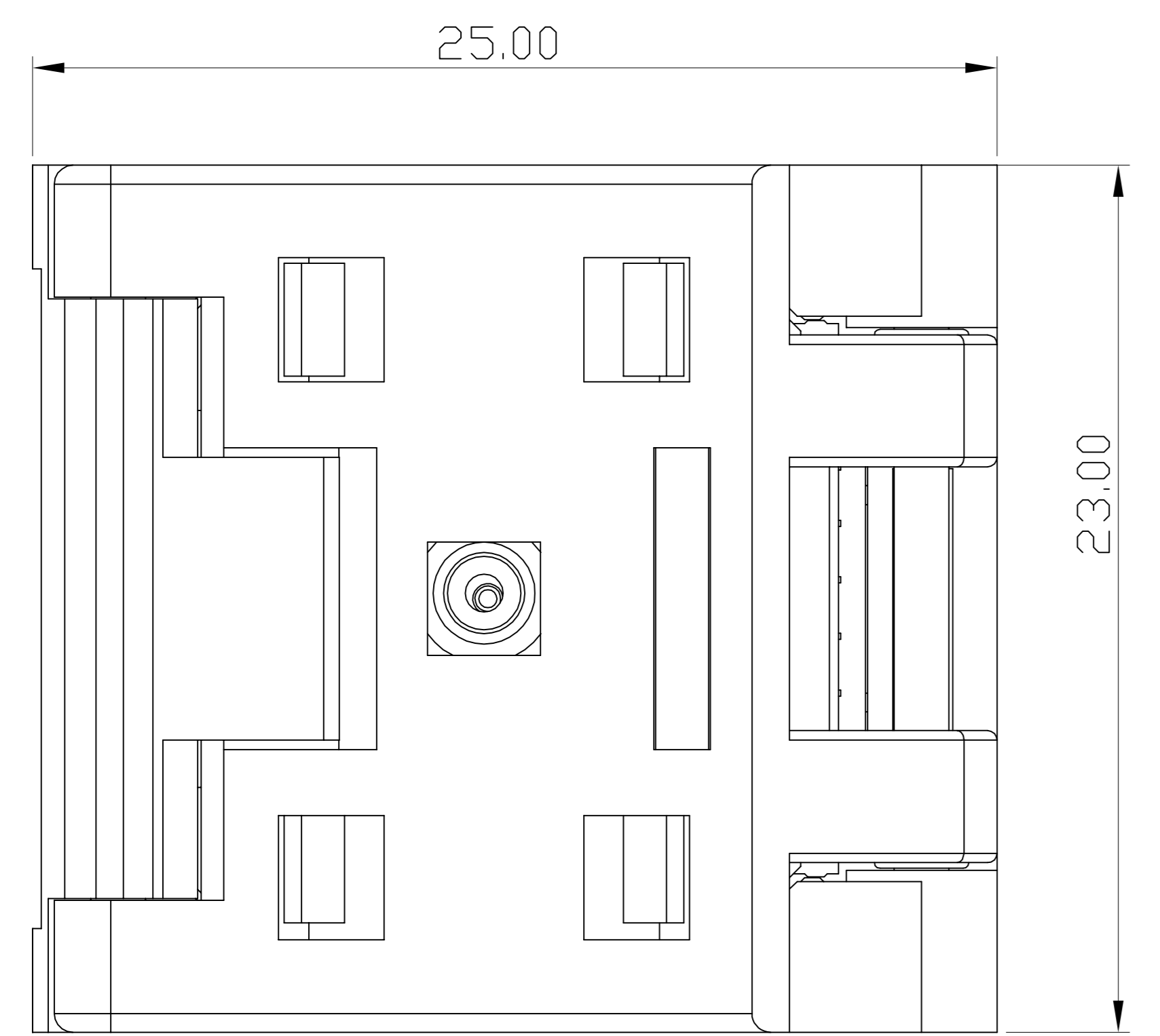


PERFORMANCE

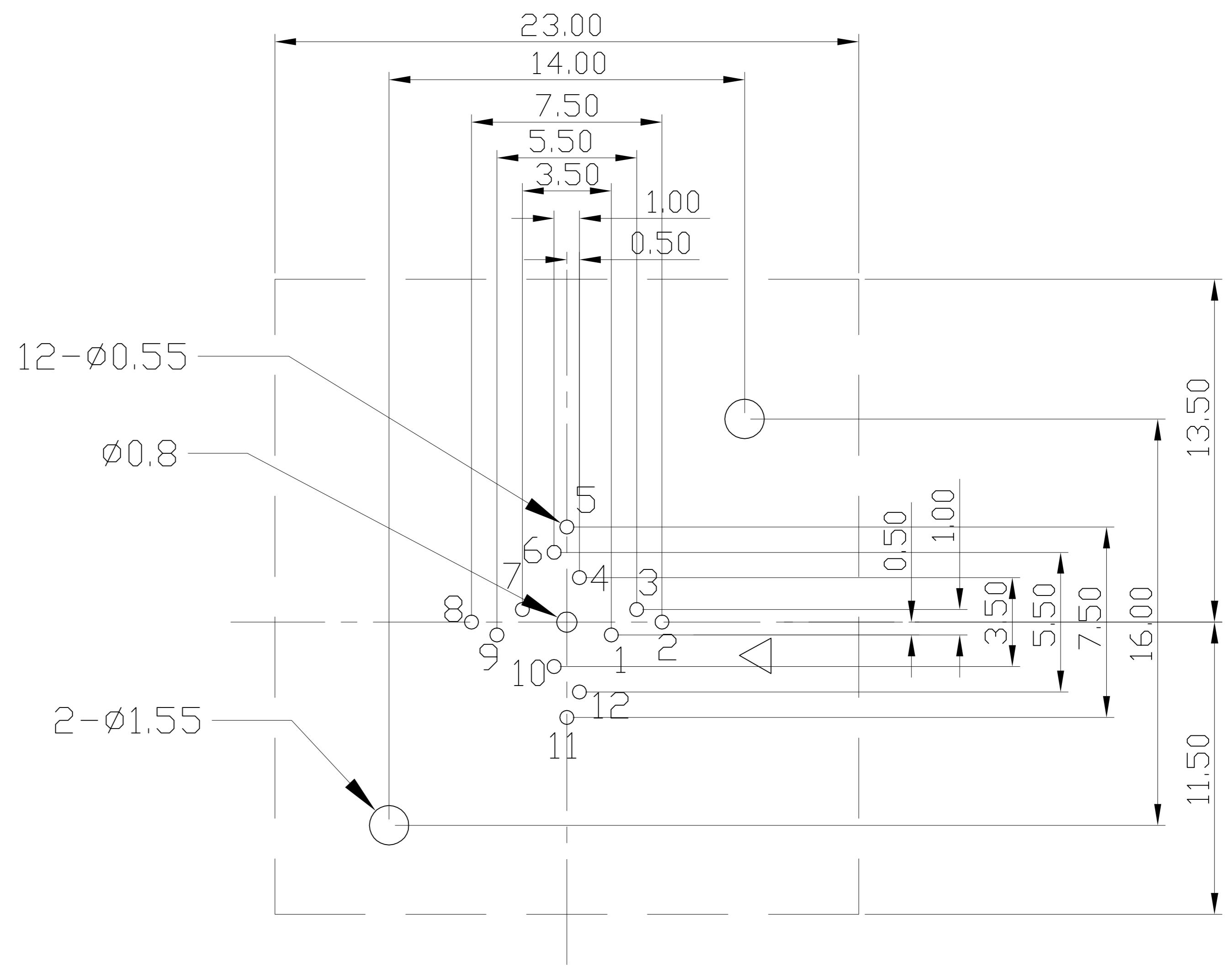
1. Insulation Resistance: 1000M $\Omega$  Min.At DC 500V
2. Dielectric Withstanding Voltage For 1 Minute At AC 700V
3. Contact Resistance 30m $\Omega$  MAX. at 10mA and 20mV MAX.(Initial)
4. Current Rating: 1A max.
5. Operation Temperature -40°C ~+155°C
6. Life Span 15,000 Times (Mechanical)
7. Operation Force 2.0 Kg MAX

TOLERANCE	PROJECTION	GENERAL TOLERANCES	±0.10	TITLE	QFN12-0.5 SOCKET
X.	± 0.50	DIMENSION: mm	SCALE: 1:1	CLASS	QFN12-0.5-CP02GT
X.X	± 0.25	APP:	DATE:		6U-PWQFN-0.5-12-3X3-01
X.XX	± 0.10	CHECK:	DATE:		
X.XXX	± 0.05	DEGK: ENG03	DATE: 20150606		

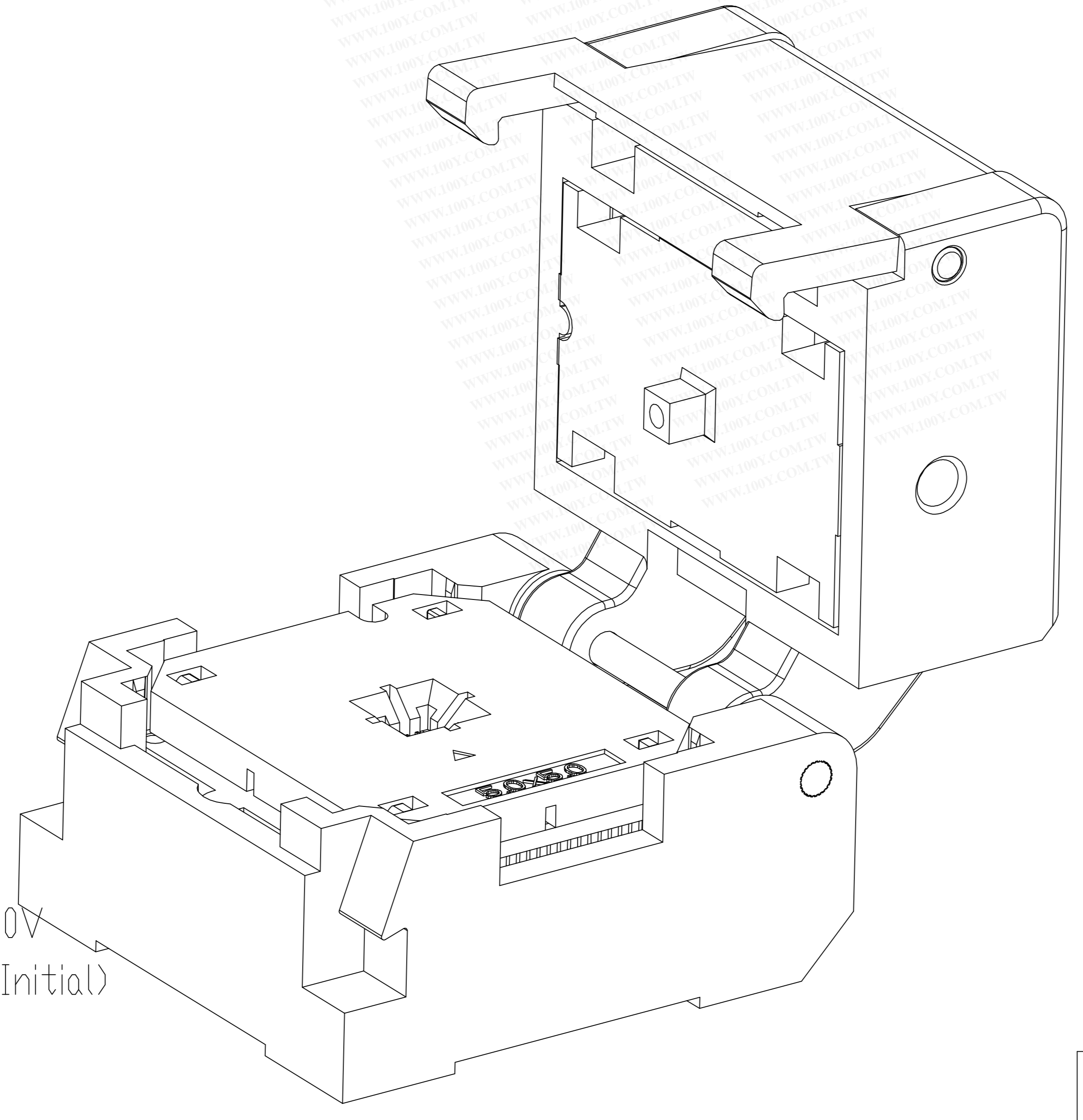
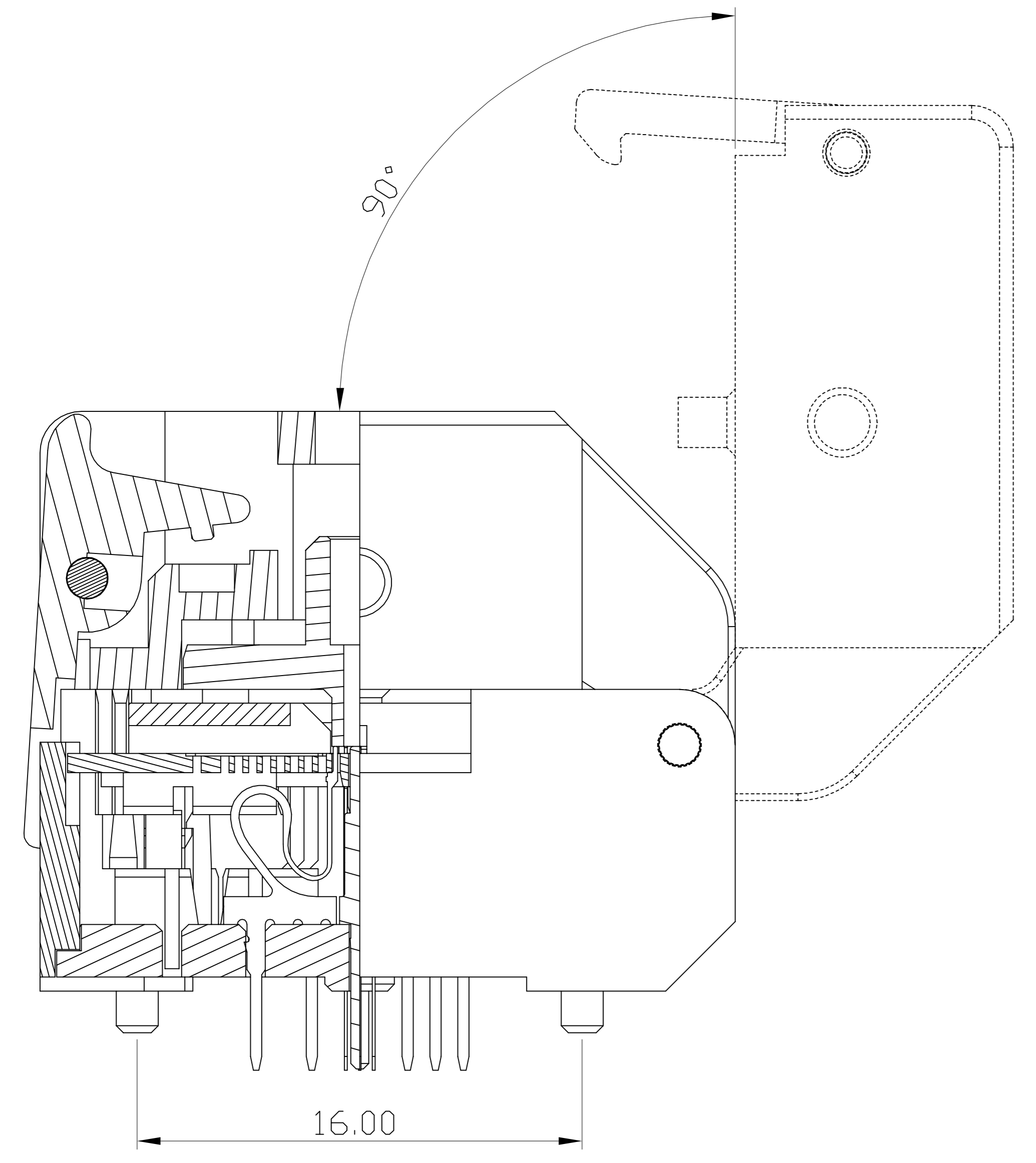
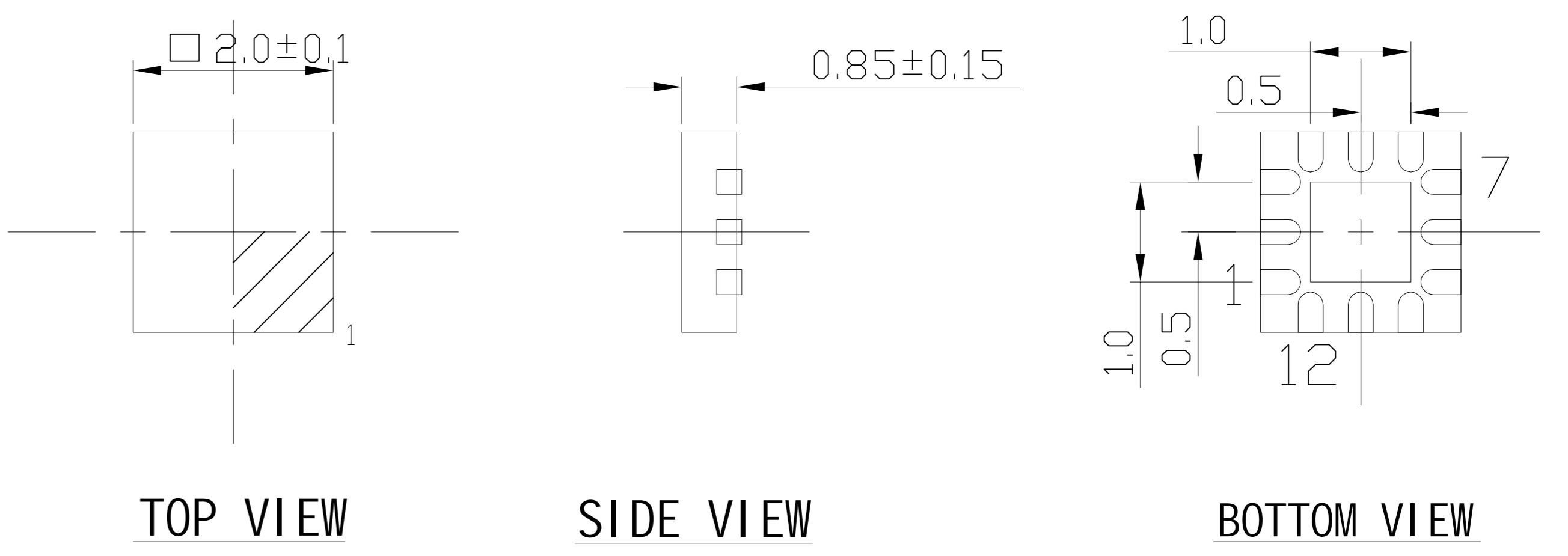
REVISION	DESCRIPTION	CHECK	APP	DATE	REV. NOTICE. NO
△ 1					
△ 2					
△ 3					



PCB Pattern(TOP View)



Applicable IC

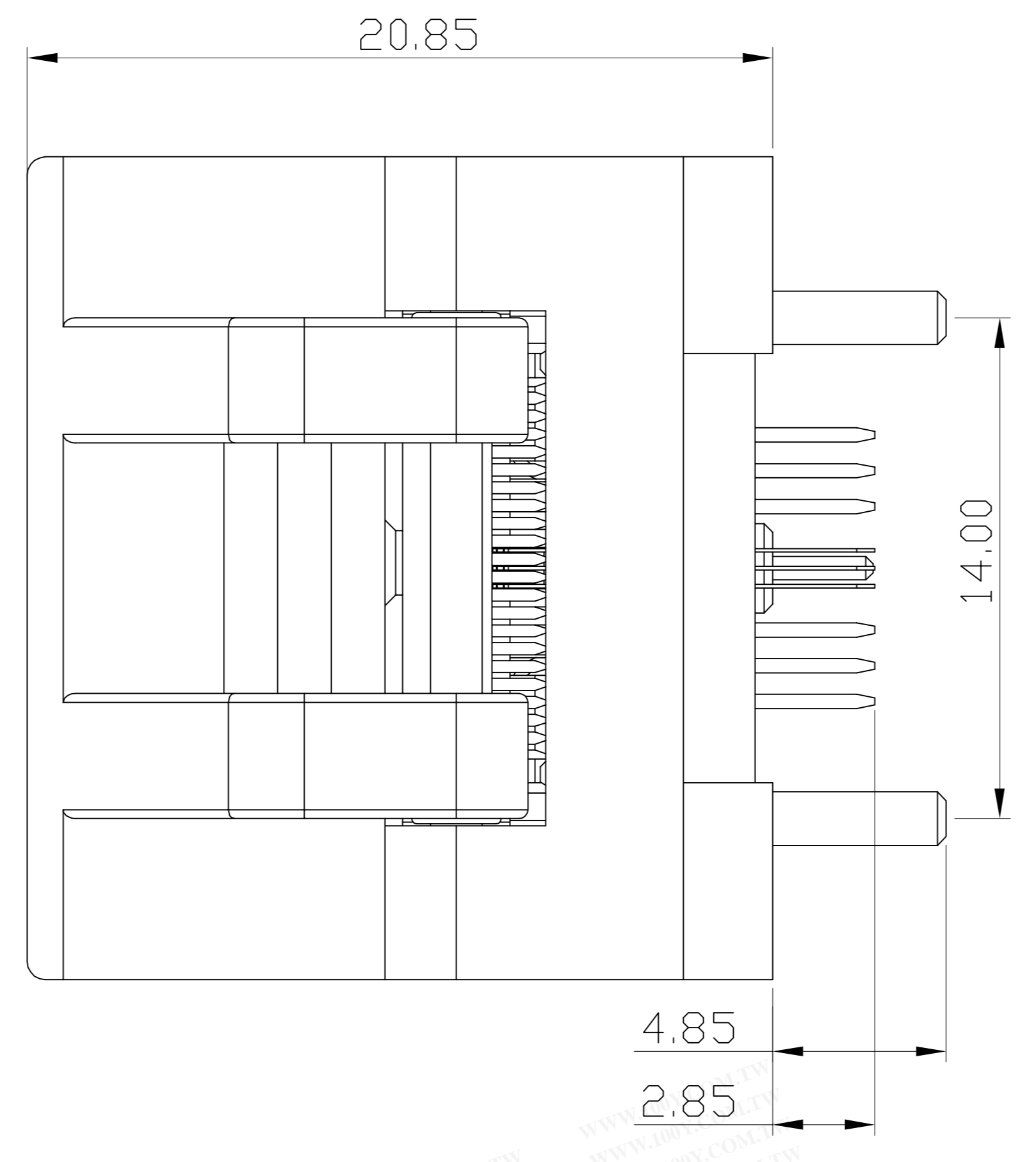
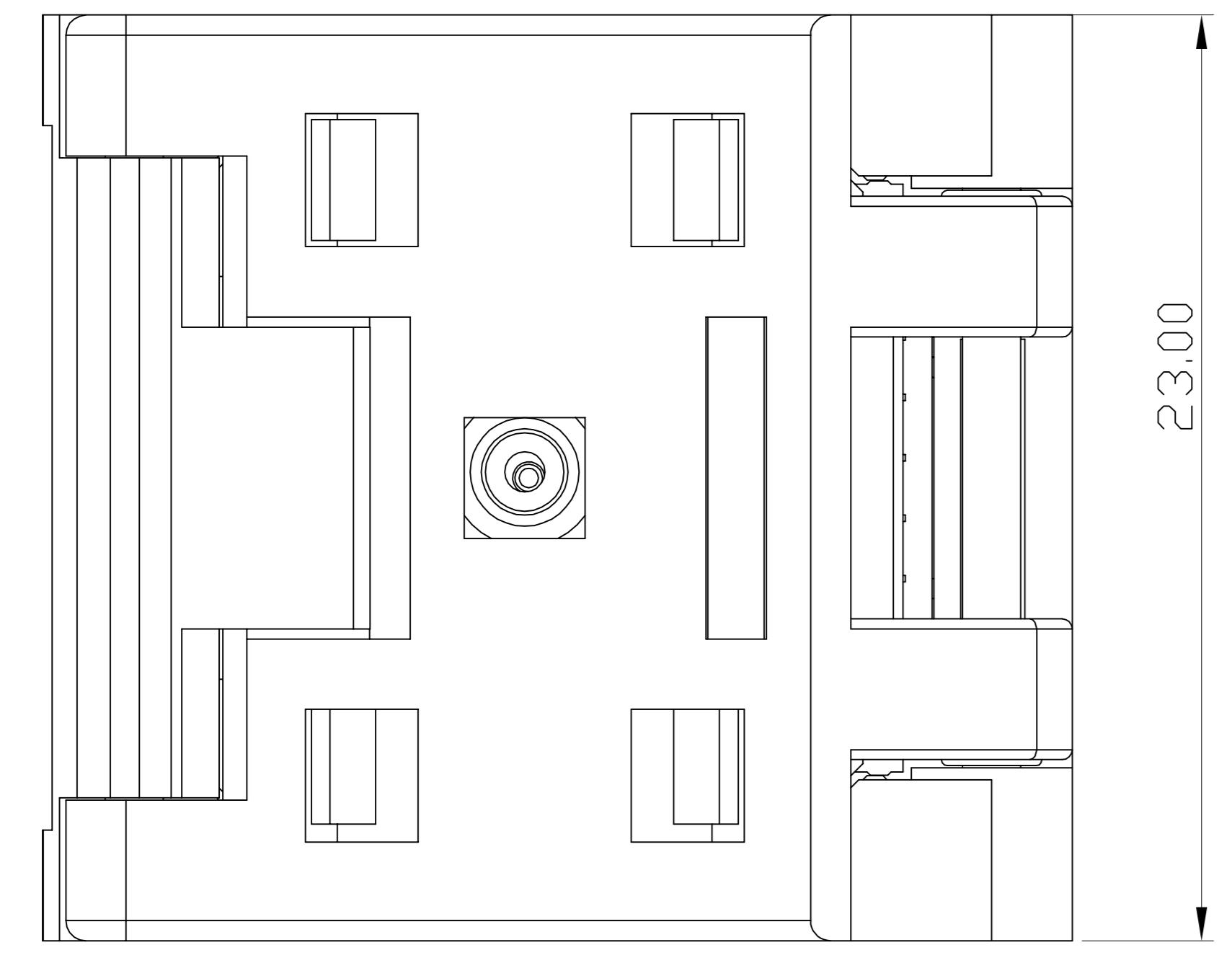


PERFORMANCE

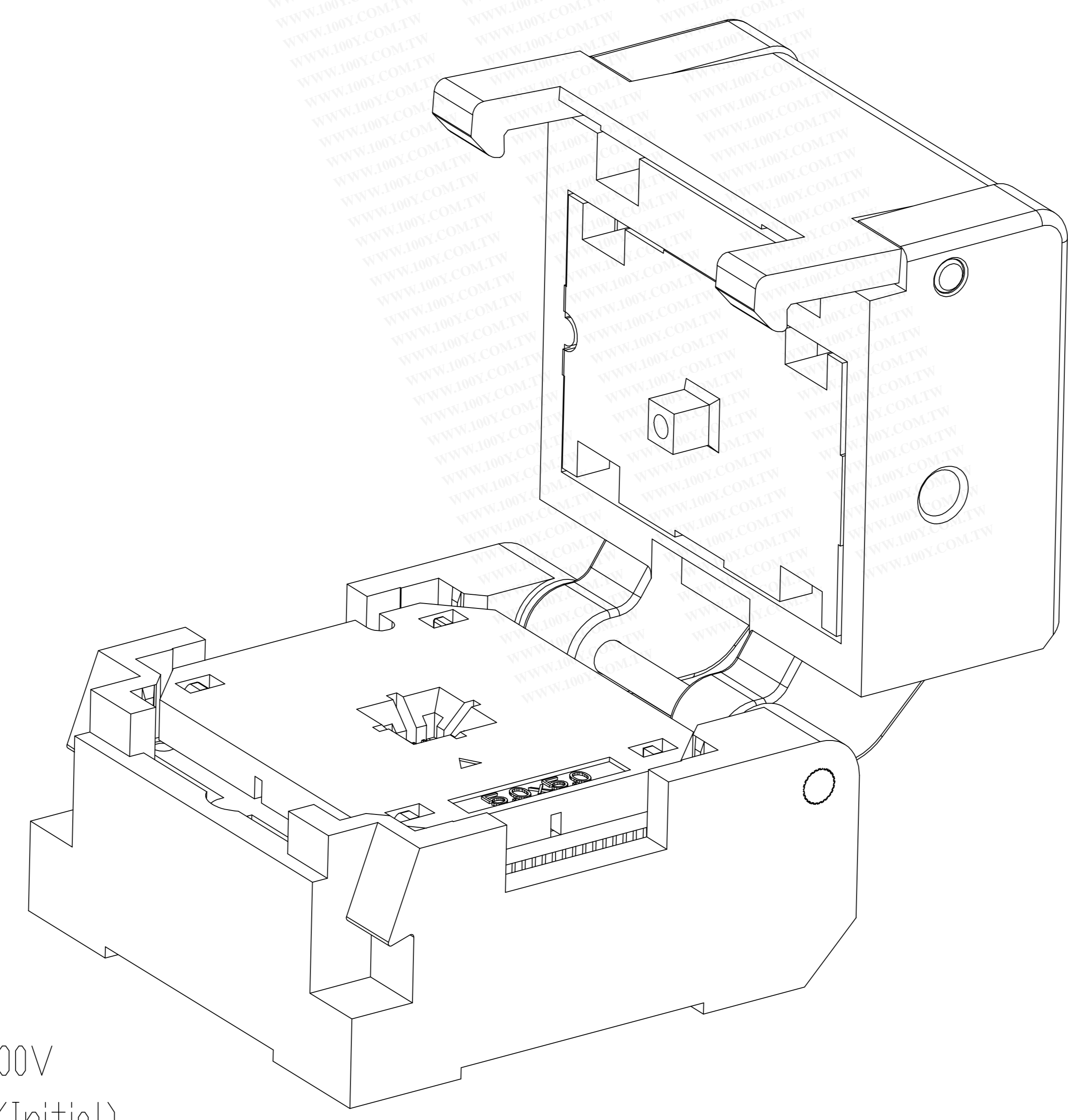
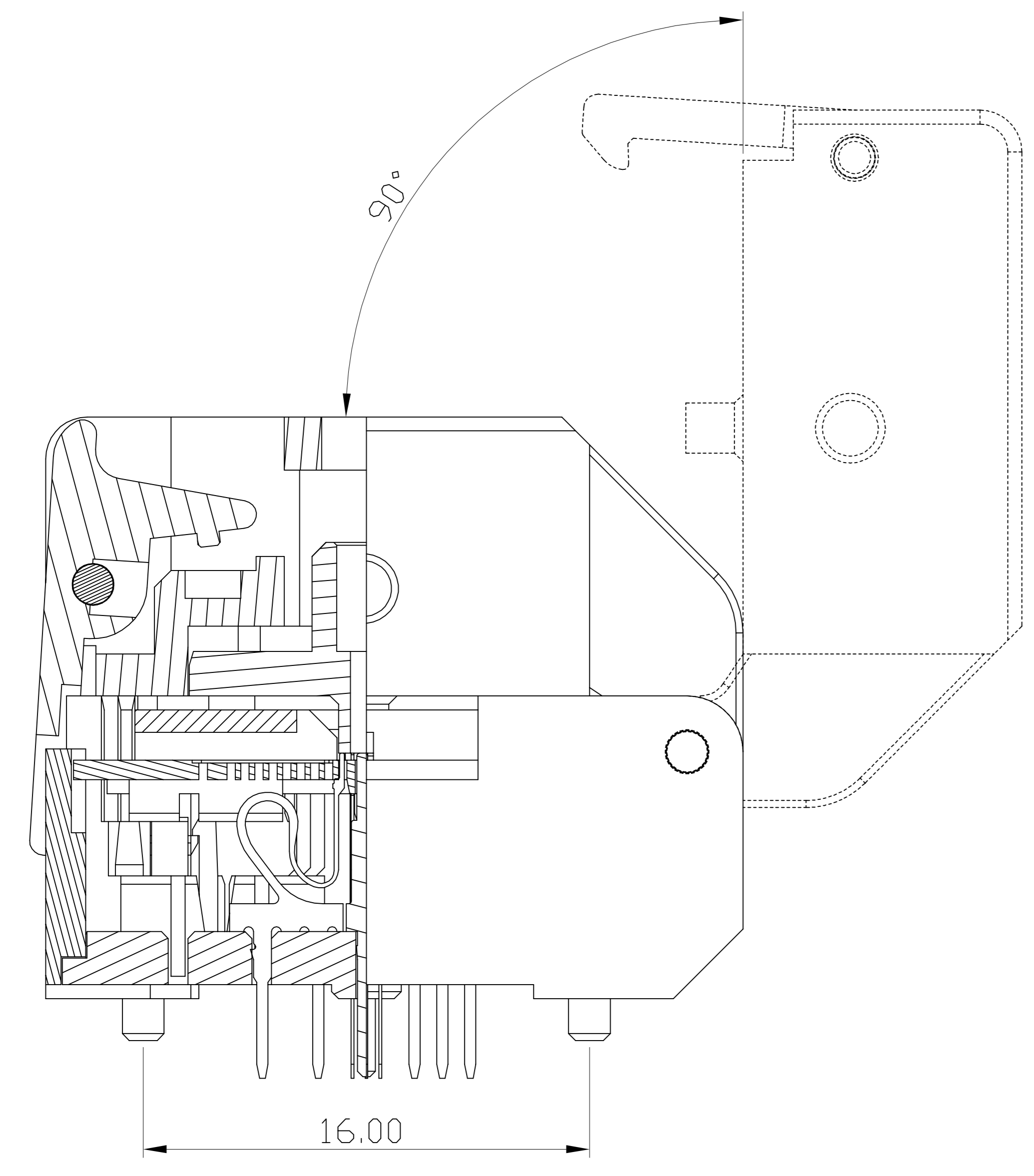
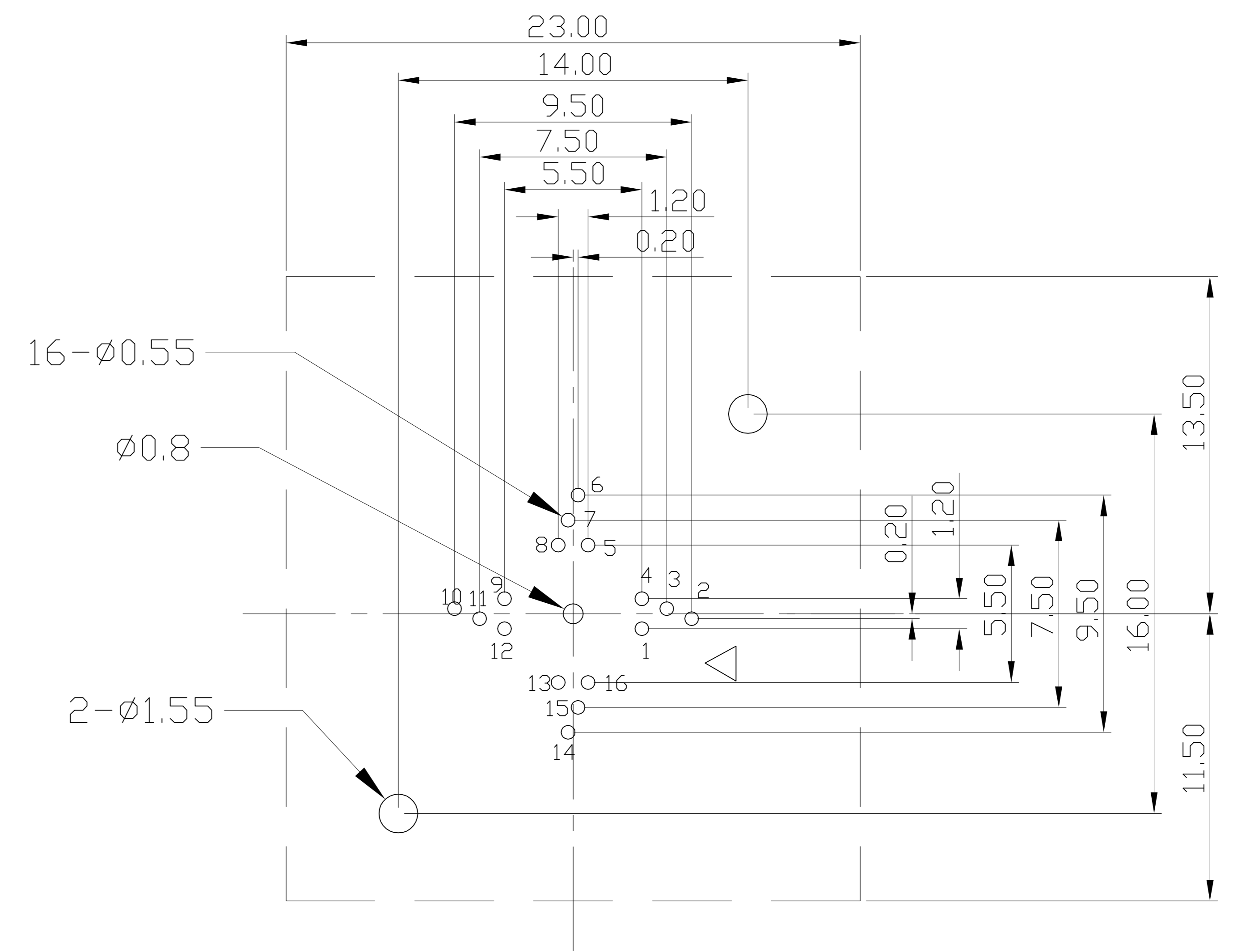
1. Insulation Resistance: 1000MΩ Min.At DC 500V
2. Dielectric Withstanding Voltage For 1 Minute At AC 700V
3. Contact Resistance 30mΩ MAX. at 10mA and 20mV MAX.(Initial)
4. Current Rating: 1A max.
5. Operation Temperature -40°C ~+155°C
6. Life Span 15,000 Times (Mechanical)
7. Operation Force 2.0 Kg MAX

TOLERANCE	PROJECTION	GENERAL TOLERANCES	±0.10	TITLE	QFN12-0.5 SOCKET
X. ± 0.50	DIMENSION: mm	R E V	A	CLASS	<b>QFN12-0.5-CPO1GT</b>
X. X ± 0.25	APP:	SCALE: 1:1	DATE:	DRW. NO	6U-PWQFN-0.5-12-2X2-01
X. XX ± 0.10	CHECK:	DATE:			
X. XXX ± 0.05	DEGK: ENG03	DATE: 20150606			

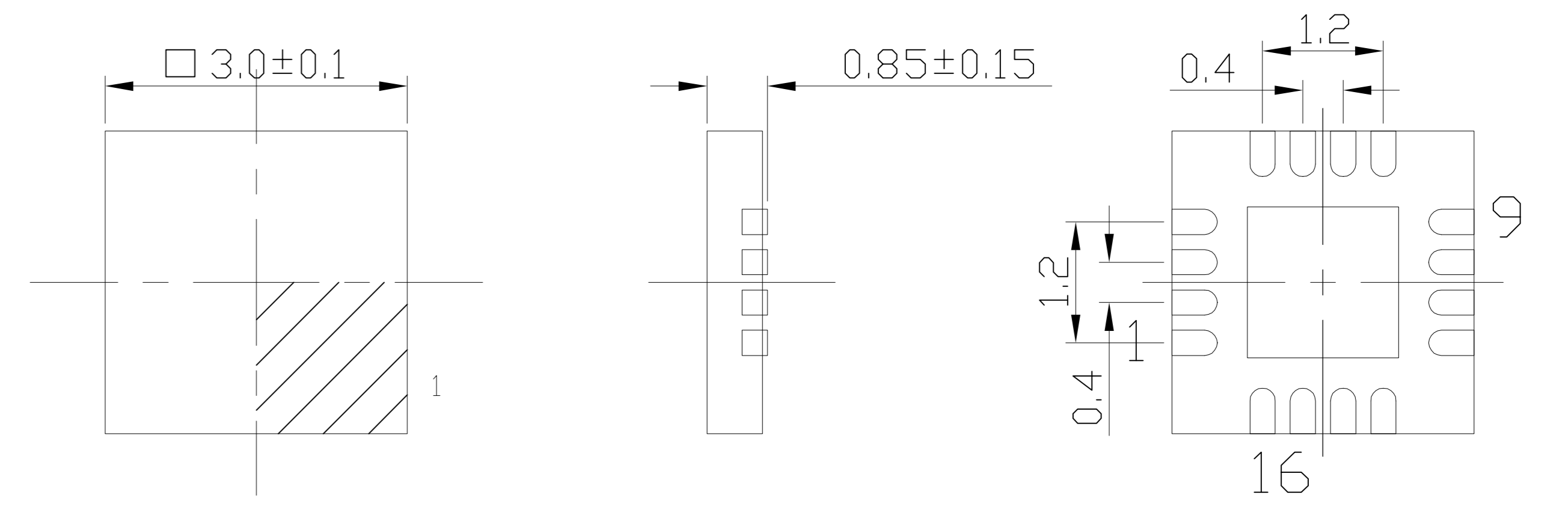
REVISION	DESCRIPTION	CHECK	APP	DATE	REV. NOTICE. NO
△ 1					
△ 2					
△ 3					



PCB Pattern(TOP View)



Applicable IC



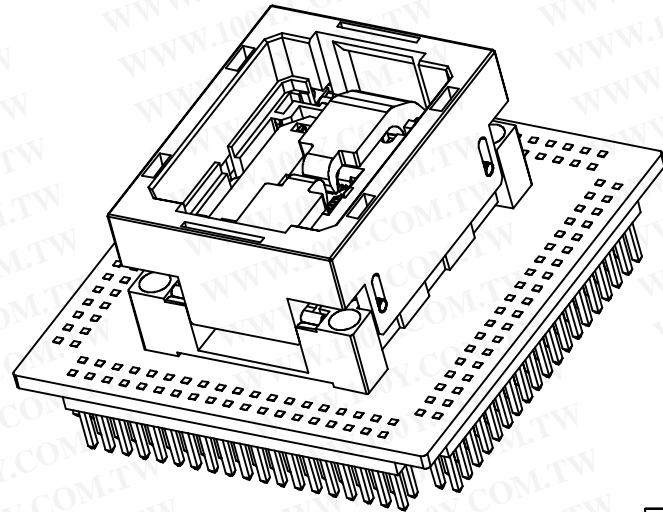
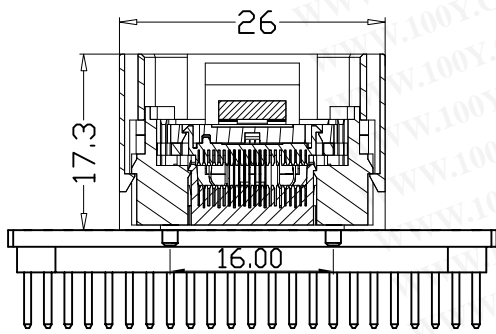
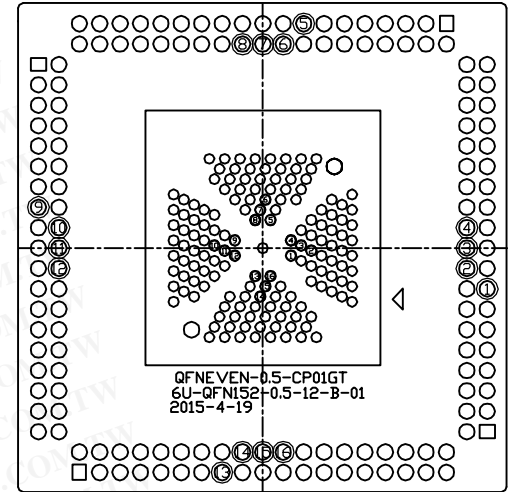
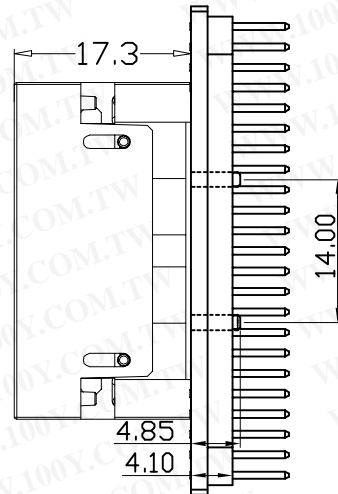
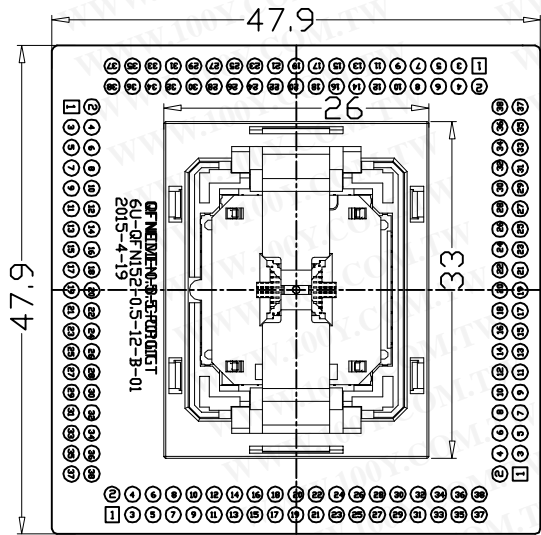
PERFORMANCE

1. Insulation Resistance: 1000MΩ Min.At DC 500V
2. Dielectric Withstanding Voltage For 1 Minute At AC 700V
3. Contact Resistance 30mΩ MAX. at 10mA and 20mV MAX.(Initial)
4. Current Rating: 1A max.
5. Operation Temperature -55°C ~+175°C
6. Life Span 15,000 Times (Mechanical)
7. Operation Force 2.0 Kg MAX

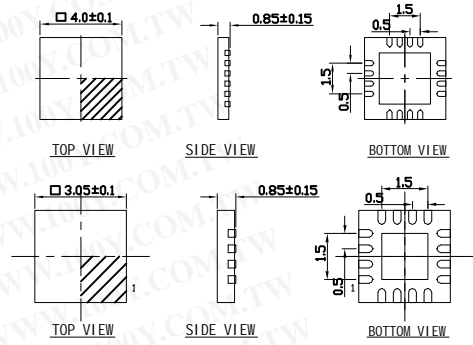
TOLERANCE	PROJECTION	GENERAL TOLERANCES	±0.10	TITLE	QFN16-0.4 SOCKET
X.	± 0.50	DIMENSION: mm	SCALE: 1:1	CLASS	QFN16-0.4-CP01GT
X.X	± 0.25	APP:	DATE:	DRW. NO	6U-PWQFN-0.4-16-3X3-01
X.XX	± 0.10	CHECK:	DATE:		
X.XXX	± 0.05	DEGK: ENG03	DATE: 20150606		

REVISION	DESCRIPTION	CHECK	APP	DATE	REV. NOTICE. NO
1					
2					
3					

# QFN 偶数万能转接板连线图



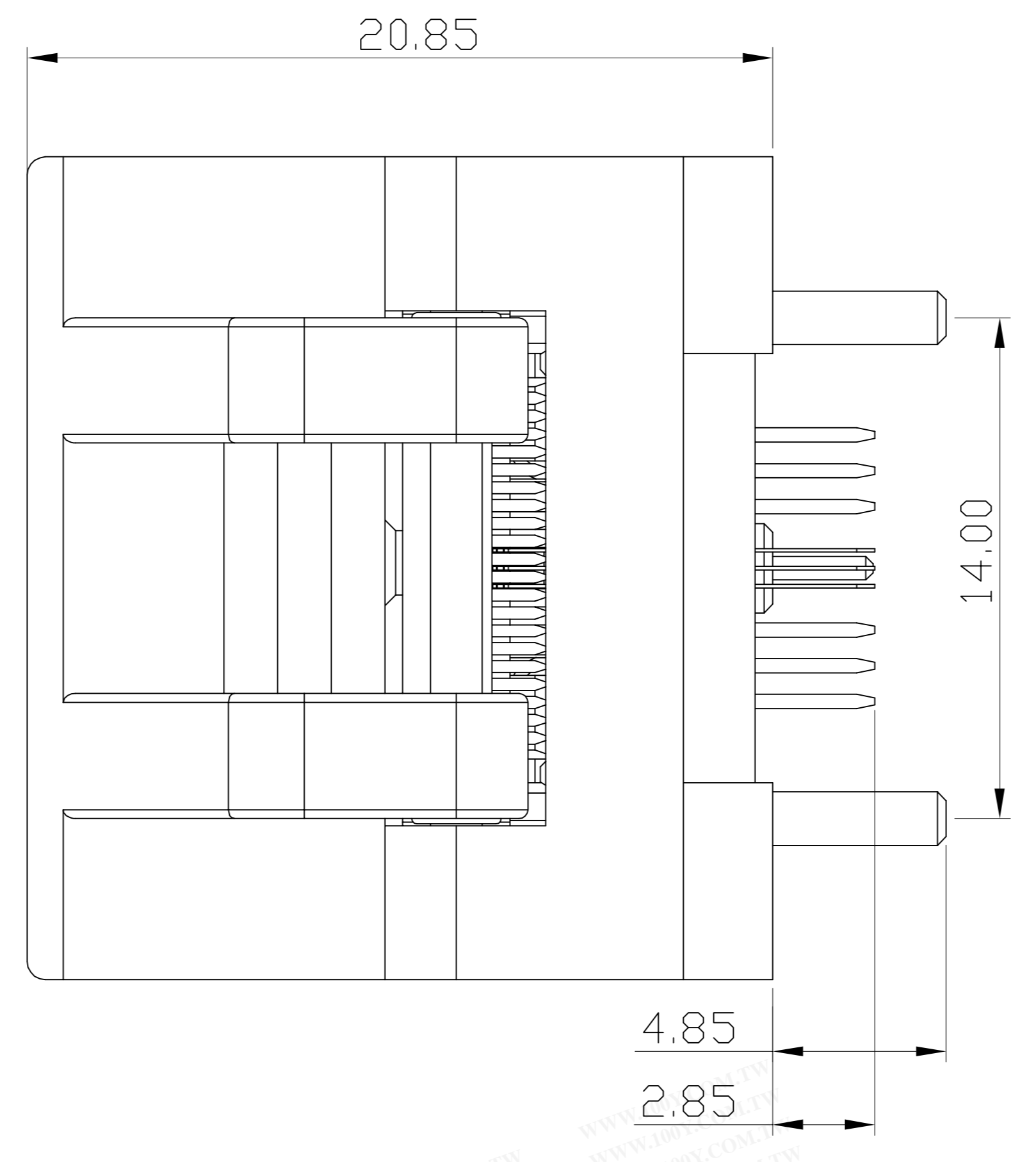
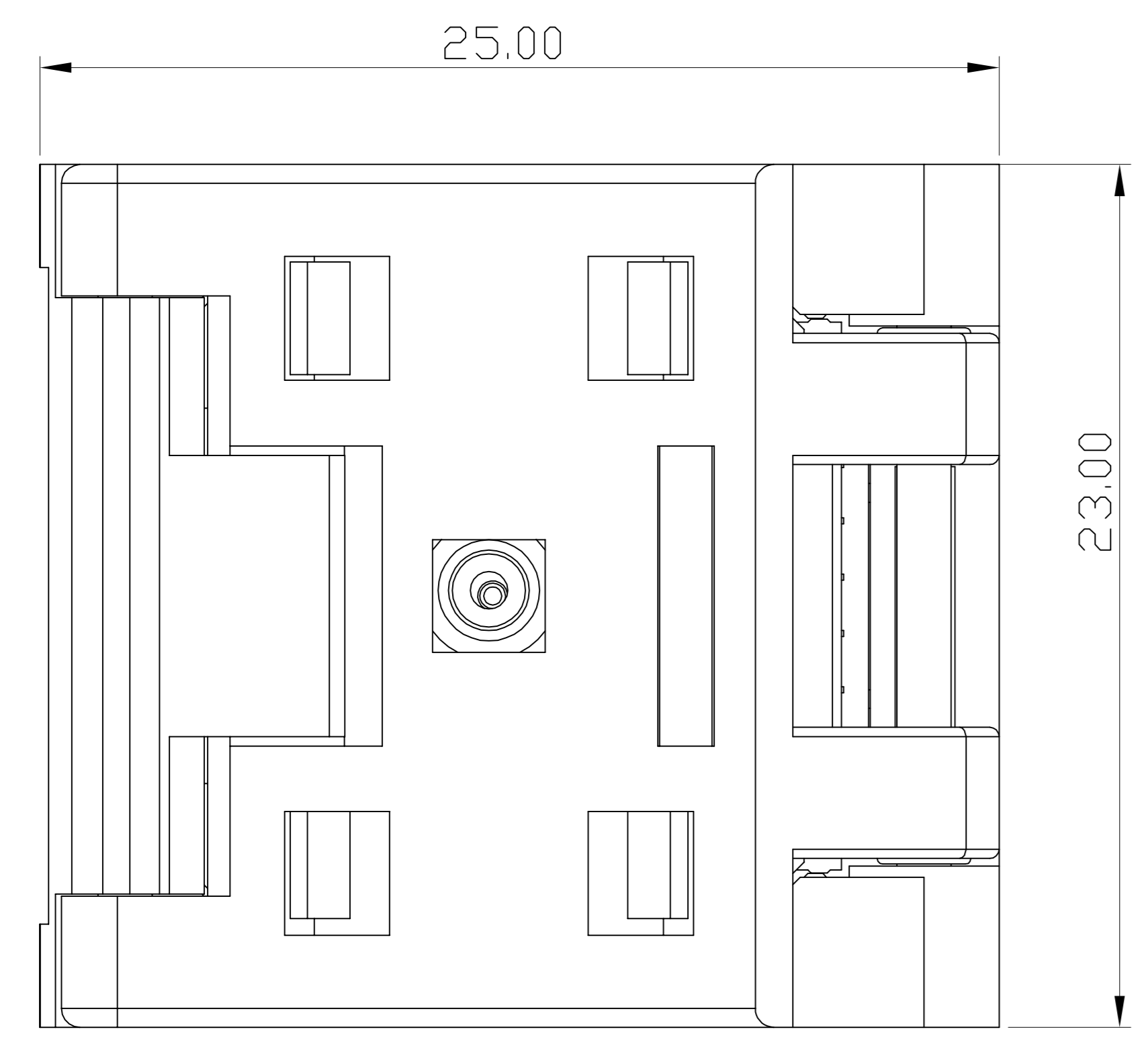
## Applicable IC



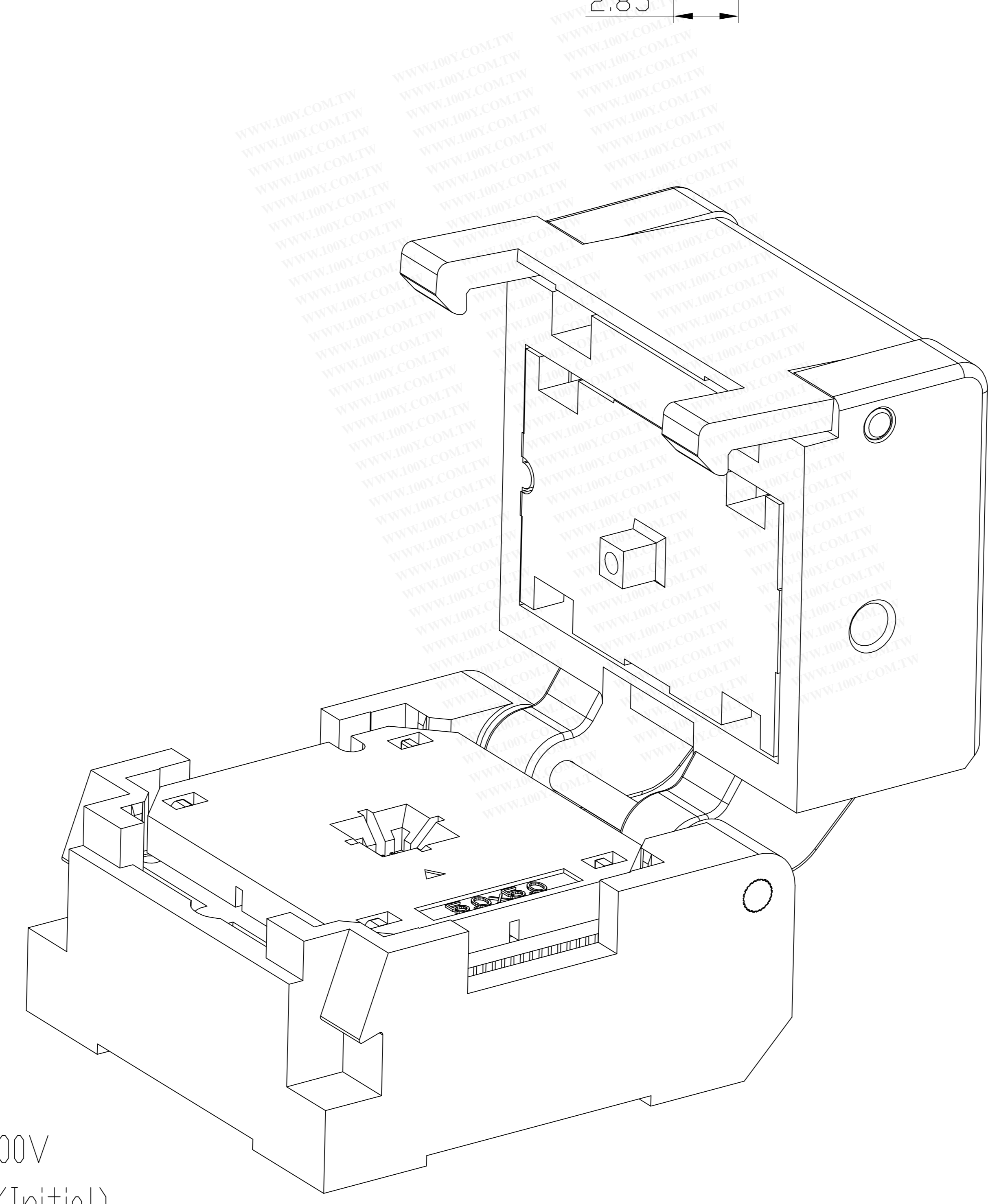
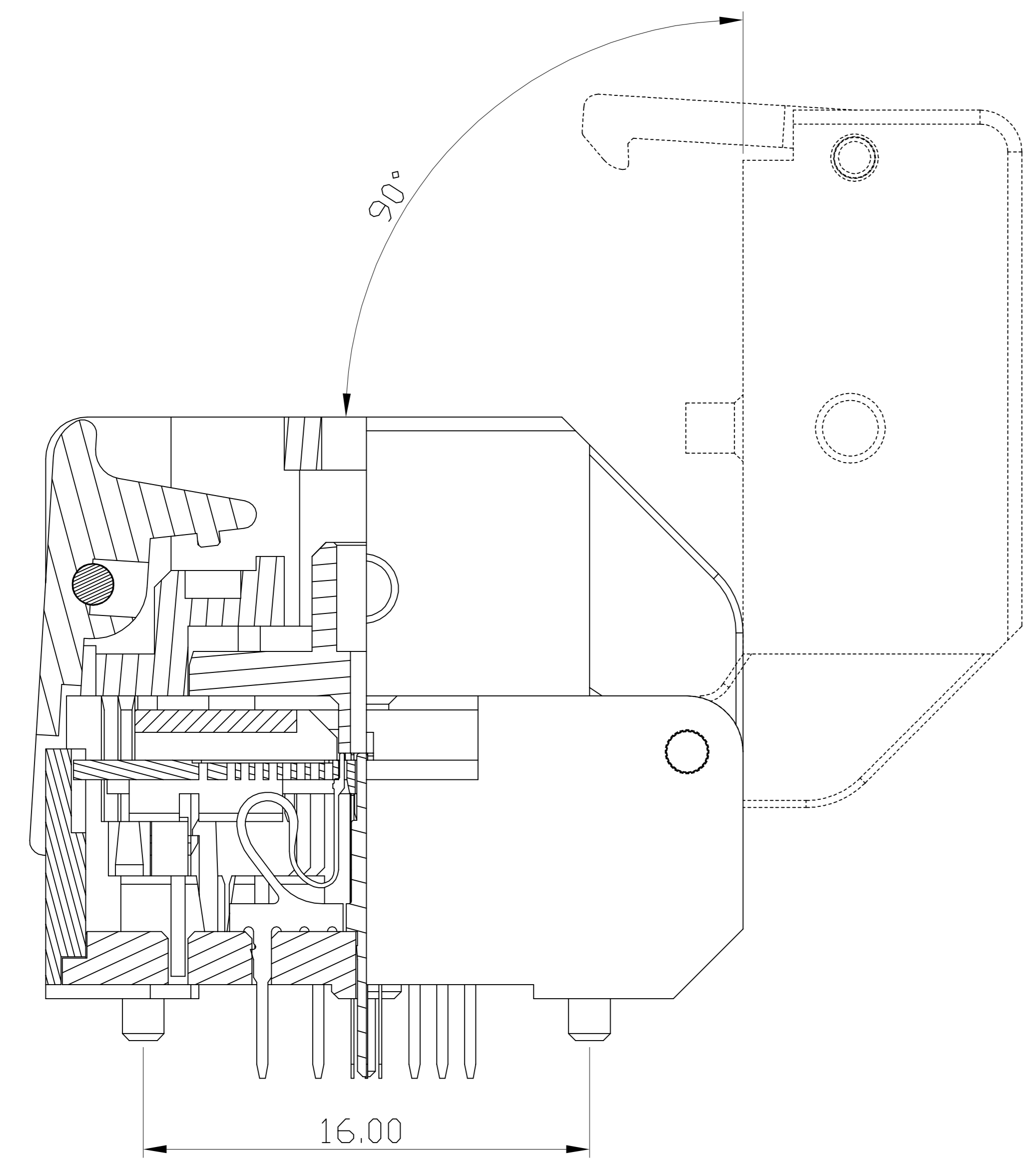
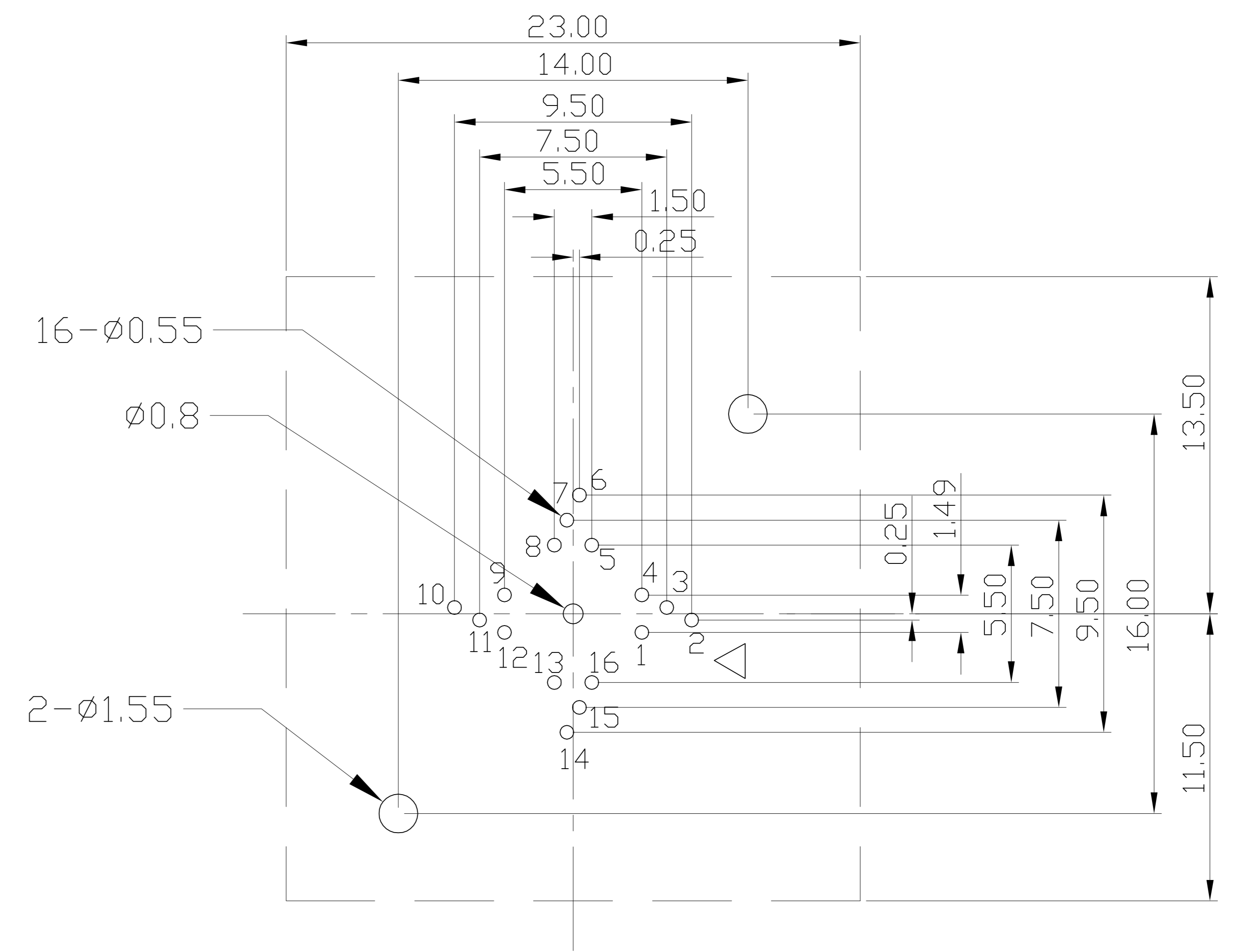
PROJECTION		GENERAL TOLERANCES	±0.10	TITLE	QFN16-0.5 SOCKET
DIMENSION:	mm	R E V	A	CLASS	7L-24016B-201
APP:		SCALE:	1:1	DRW. NO	7L-PWQFN-0.5-16-B-01
CHECK:		DATE:			
DECK:		DATE:	20120822		



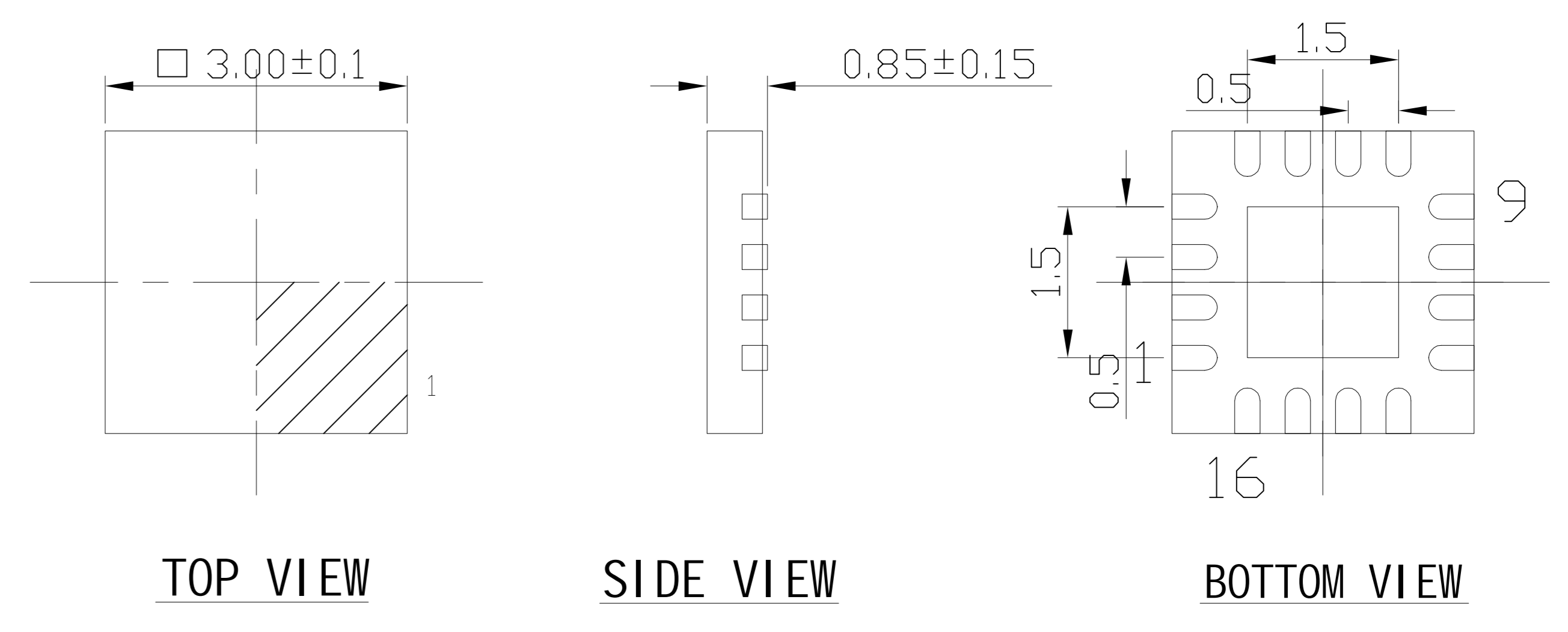
REVISION	DESCRIPTION	CHECK	APP	DATE	REV. NOTICE. NO
△ 1					
△ 2					
△ 3					



PCB Pattern(TOP View)



Applicable IC

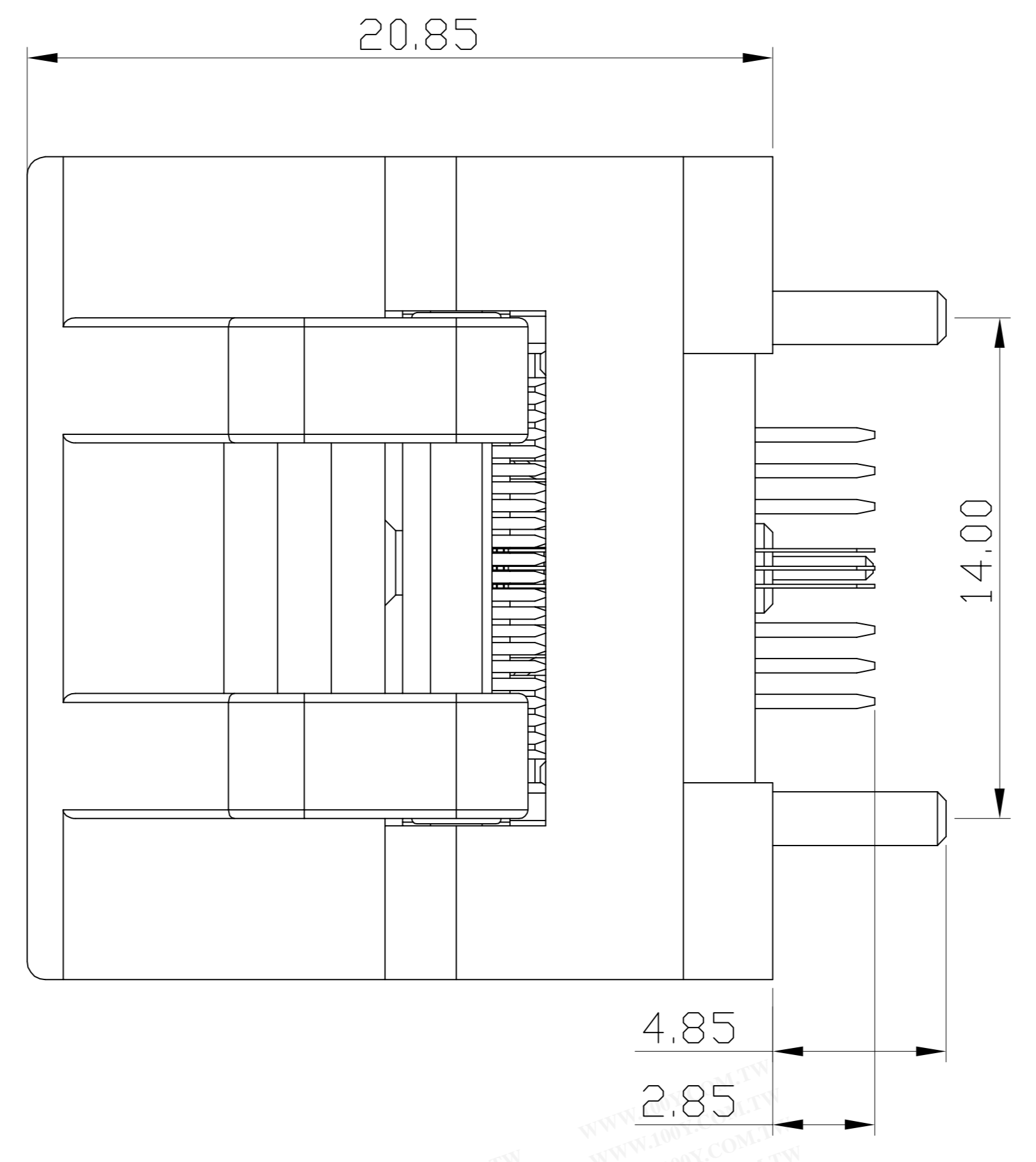
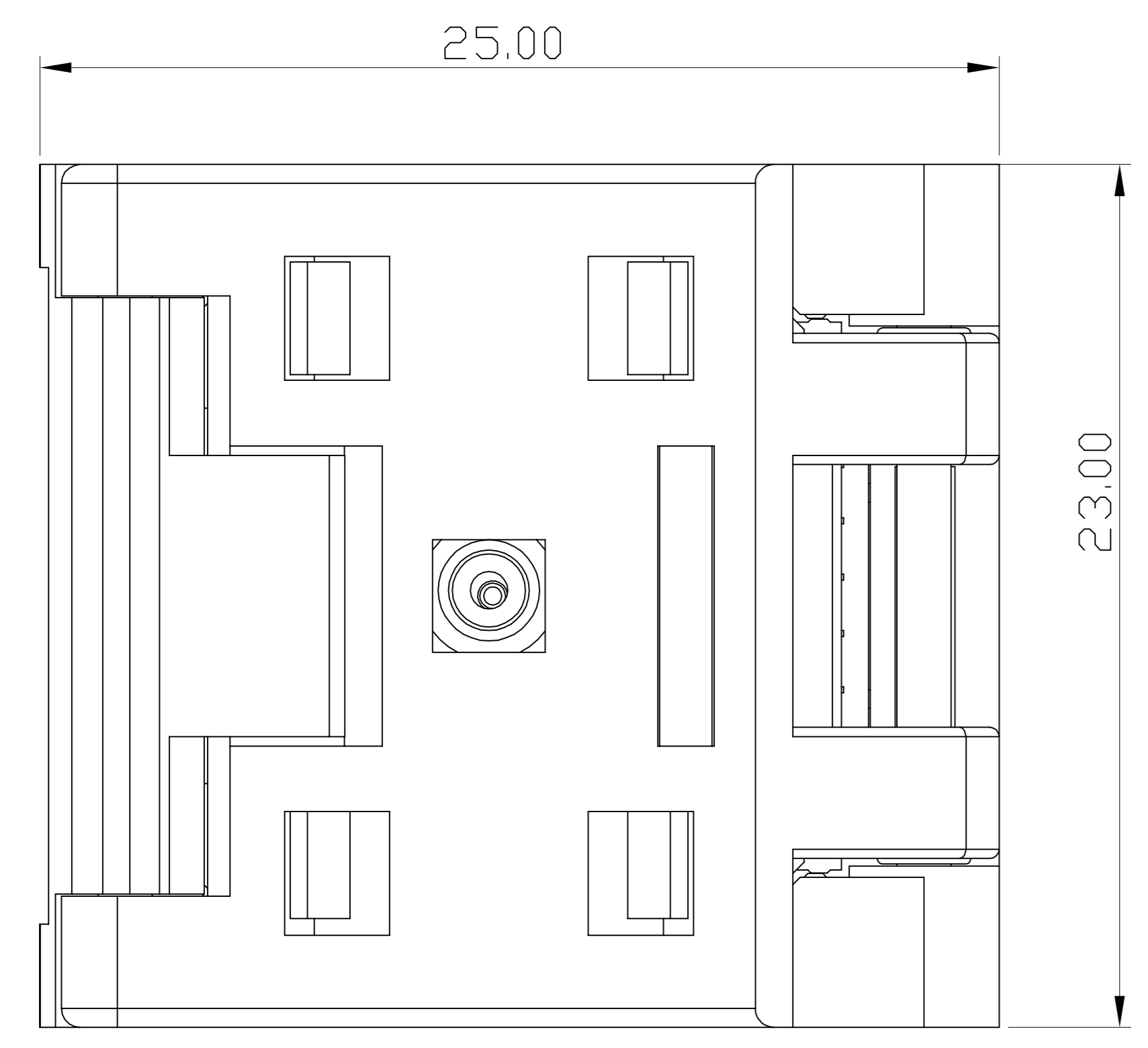


PERFORMANCE

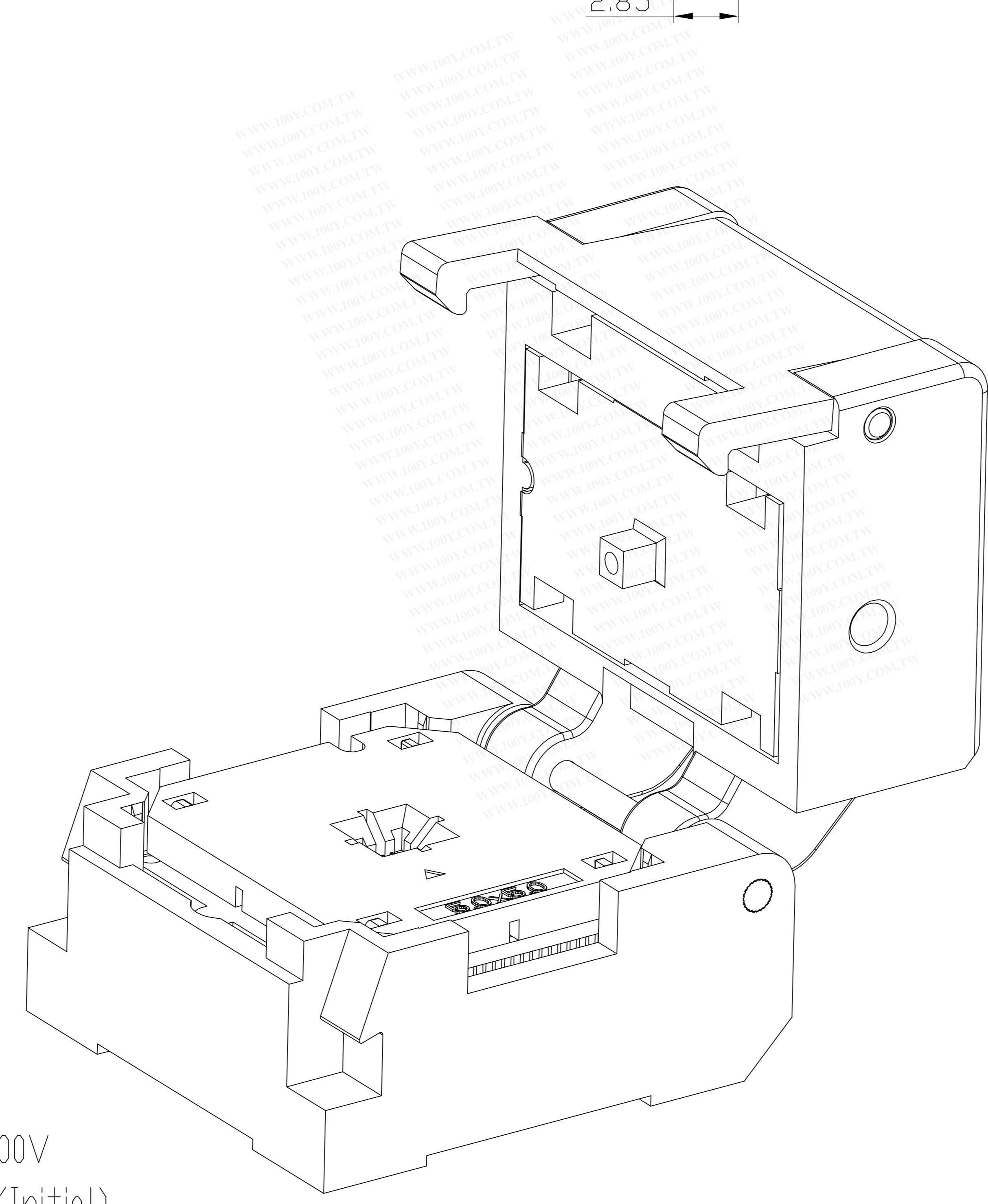
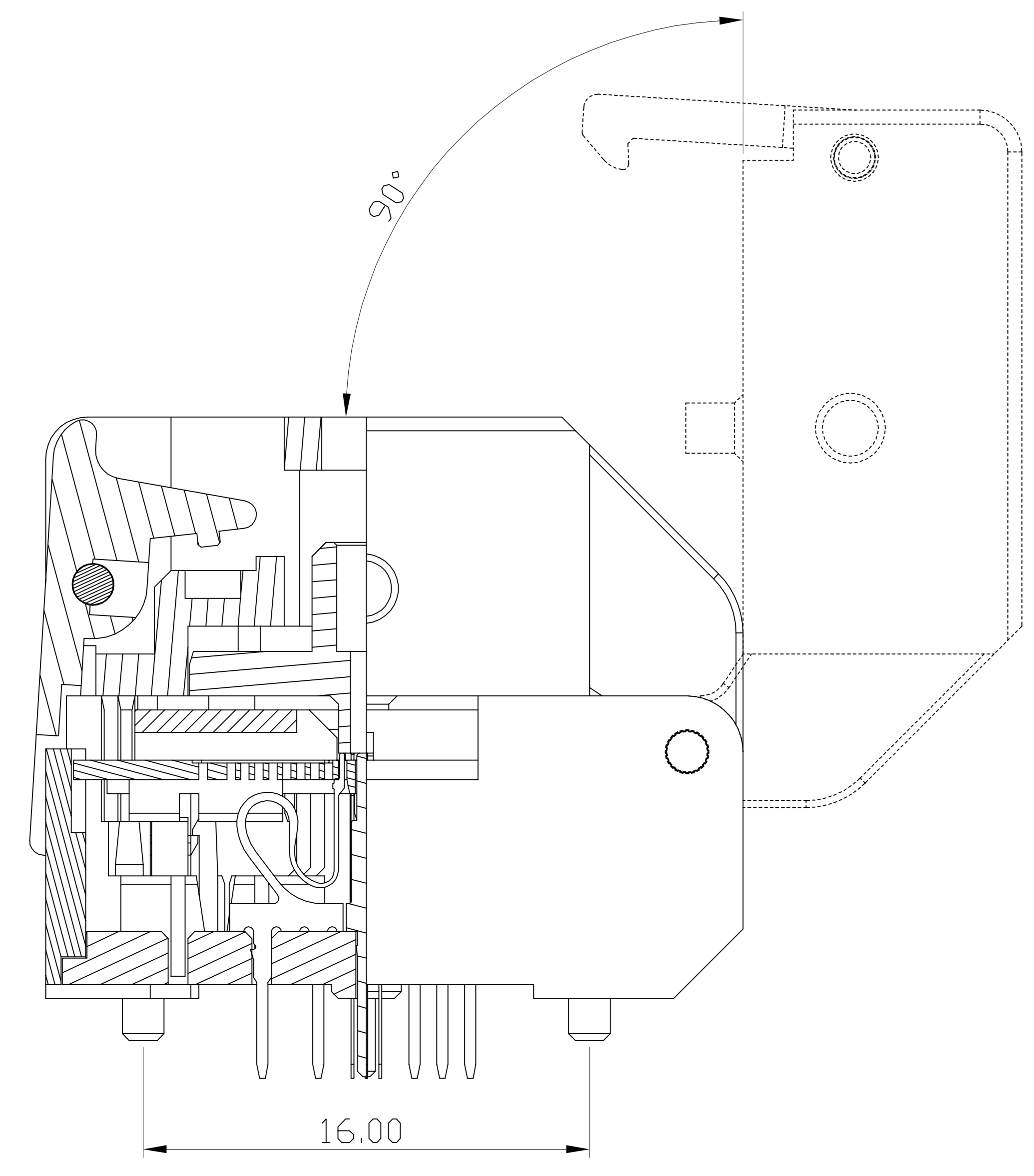
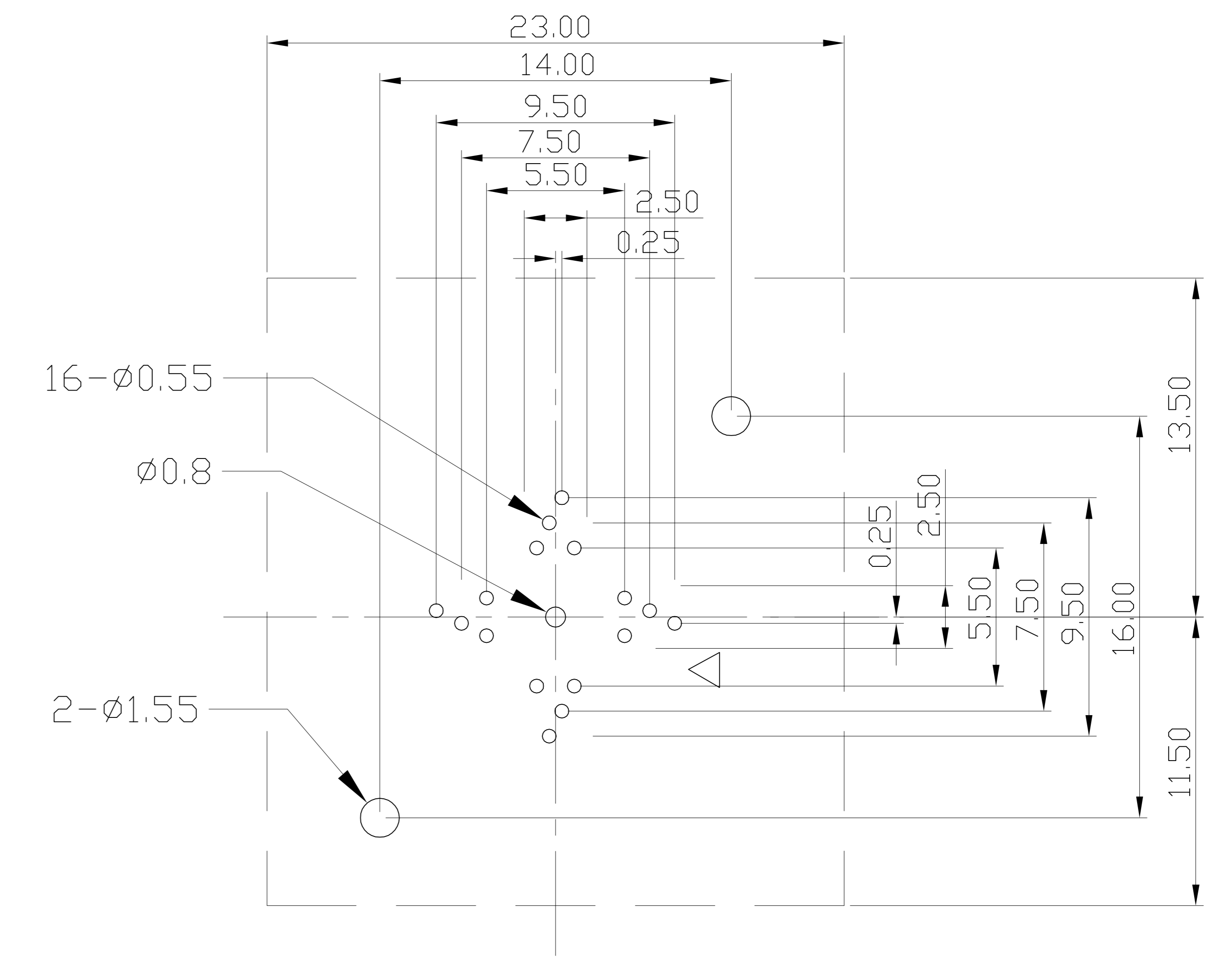
1. Insulation Resistance: 1000MΩ Min.At DC 500V
2. Dielectric Withstanding Voltage For 1 Minute At AC 700V
3. Contact Resistance 30mΩ MAX. at 10mA and 20mV MAX.(Initial)
4. Current Rating: 1A max.
5. Operation Temperature -40°C ~+155°C
6. Life Span 15,000 Times (Mechanical)
7. Operation Force 2.0 Kg MAX

TOLERANCE	PROJECTION	GENERAL TOLERANCES	±0.10	TITLE	QFN16-0.5 SOCKET
X.	± 0.50	DIMENSION: mm	SCALE: 1:1	CLASS	QFN16-0.5-CP01GT
X.X	± 0.25	APP:	DATE:	DRW. NO	6U-PWQFN-0.5-16-3X3-01
X.XX	± 0.10	CHECK:	DATE:		
X.XXX	± 0.05	DEGK: ENG03	DATE: 20150606		

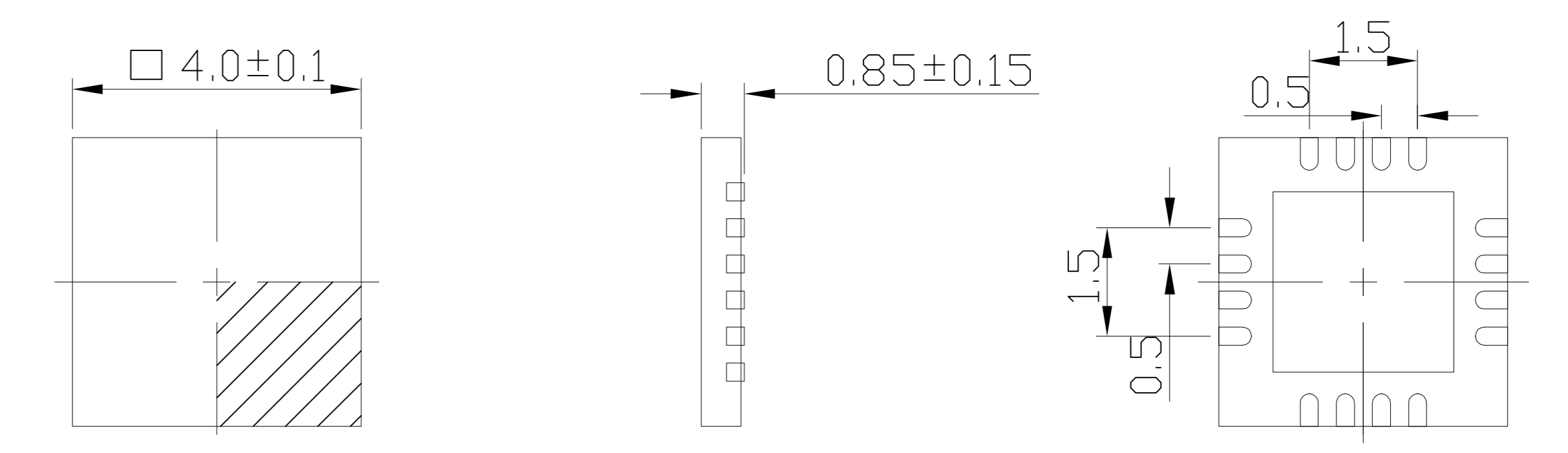
REVISION	DESCRIPTION	CHECK	APP	DATE	REV. NOTICE. NO
△ 1					
△ 2					
△ 3					



PCB Pattern(TOP View)



Applicable IC



TOP VIEW

SIDE VIEW

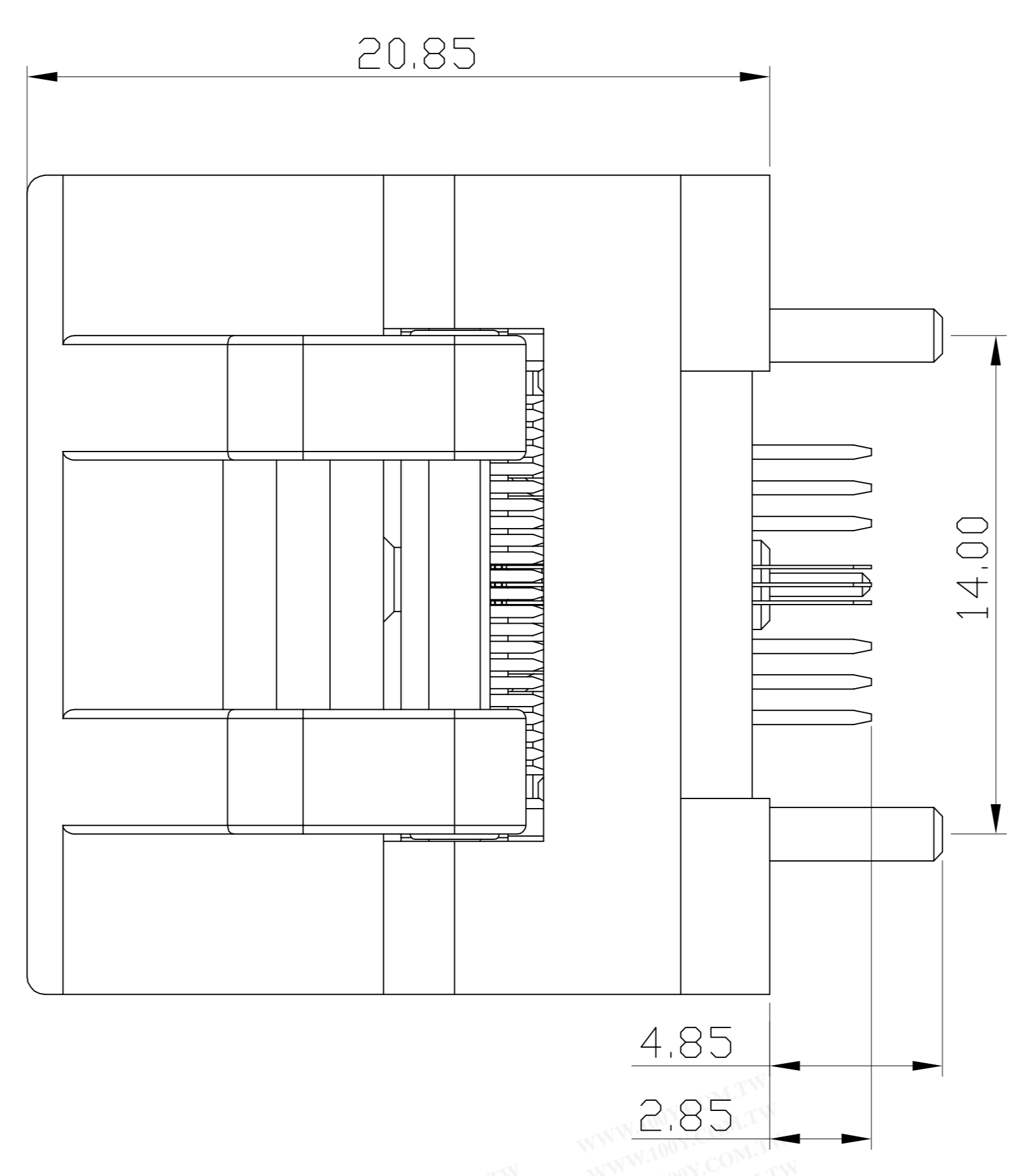
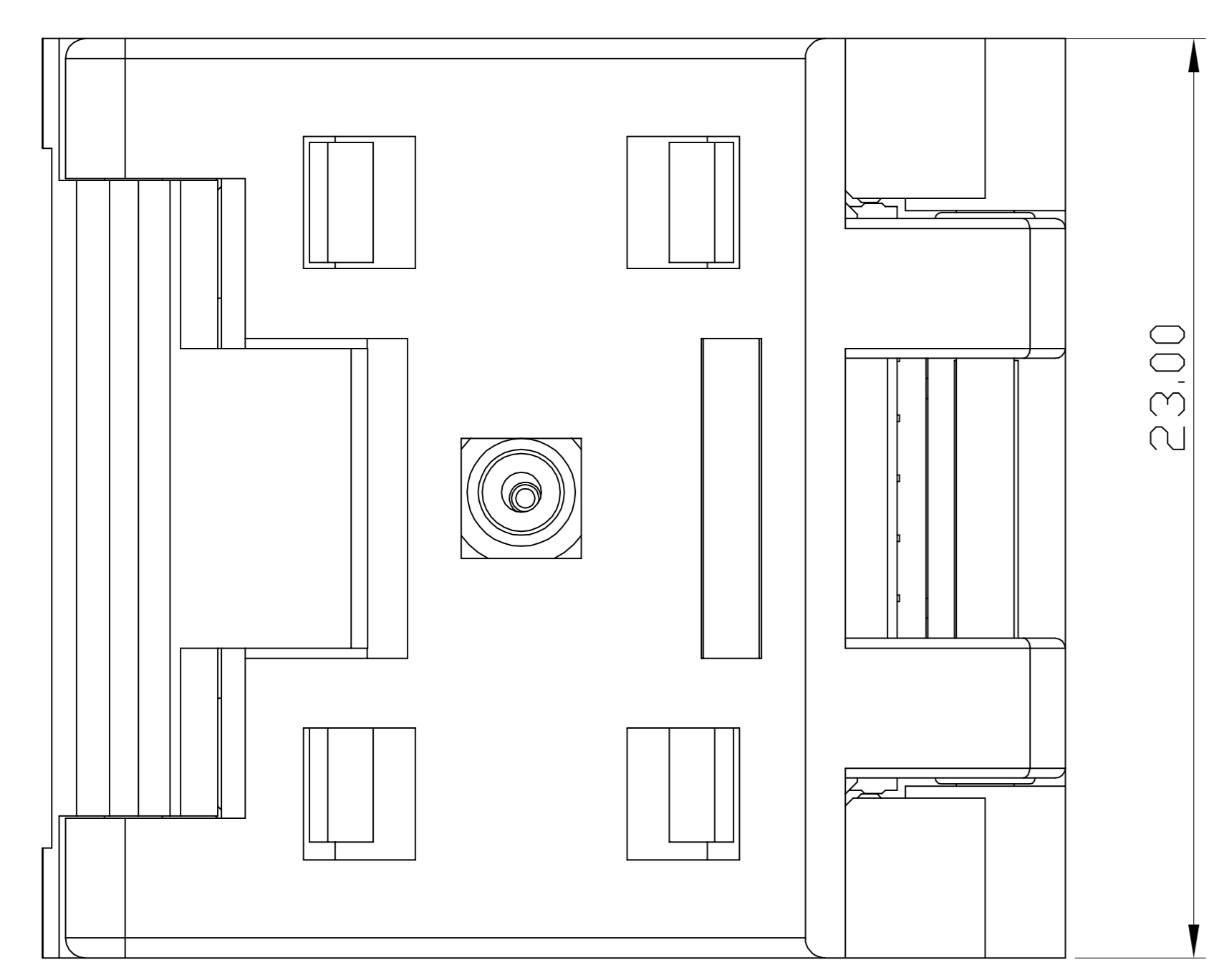
BOTTOM VIEW

PERFORMANCE

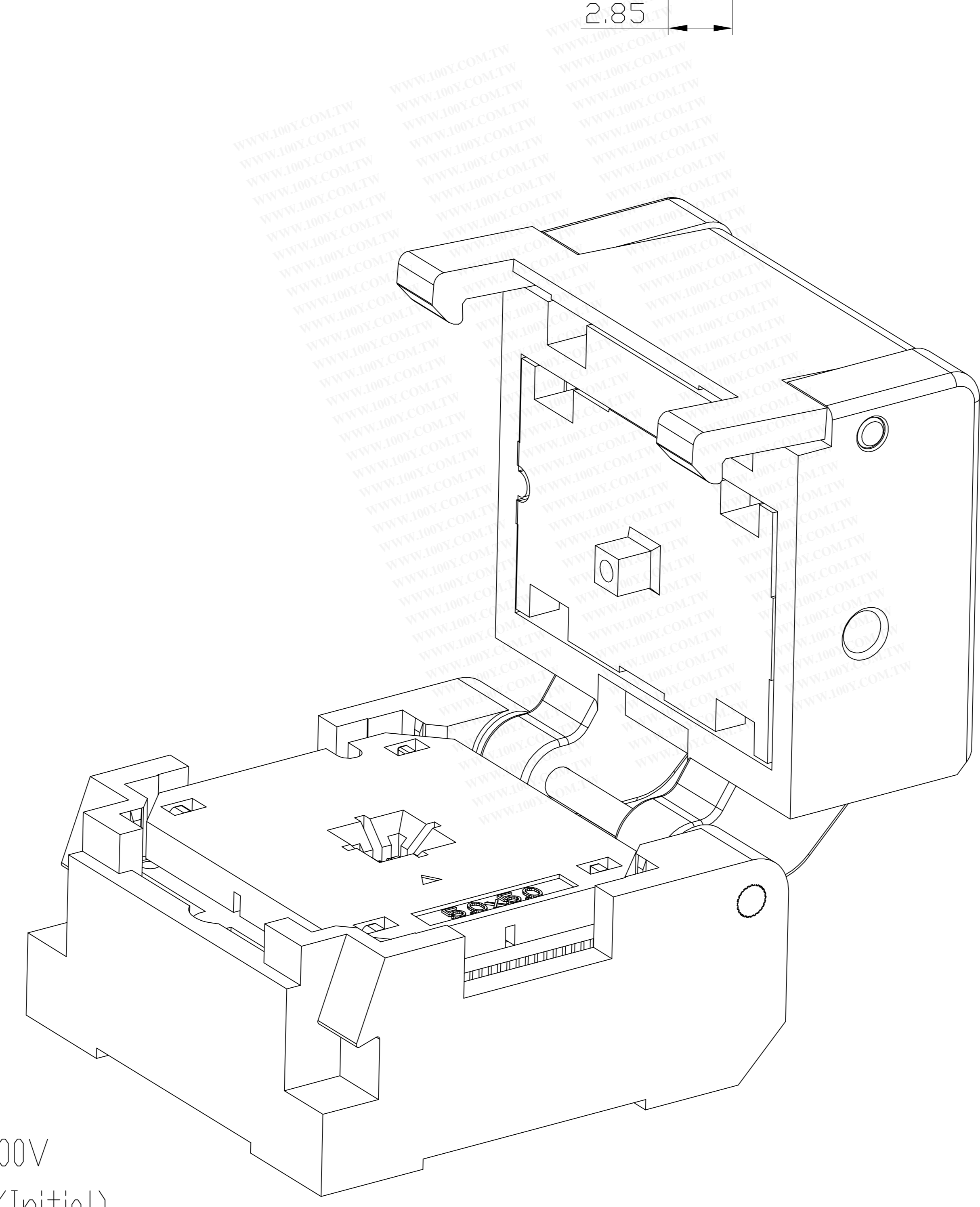
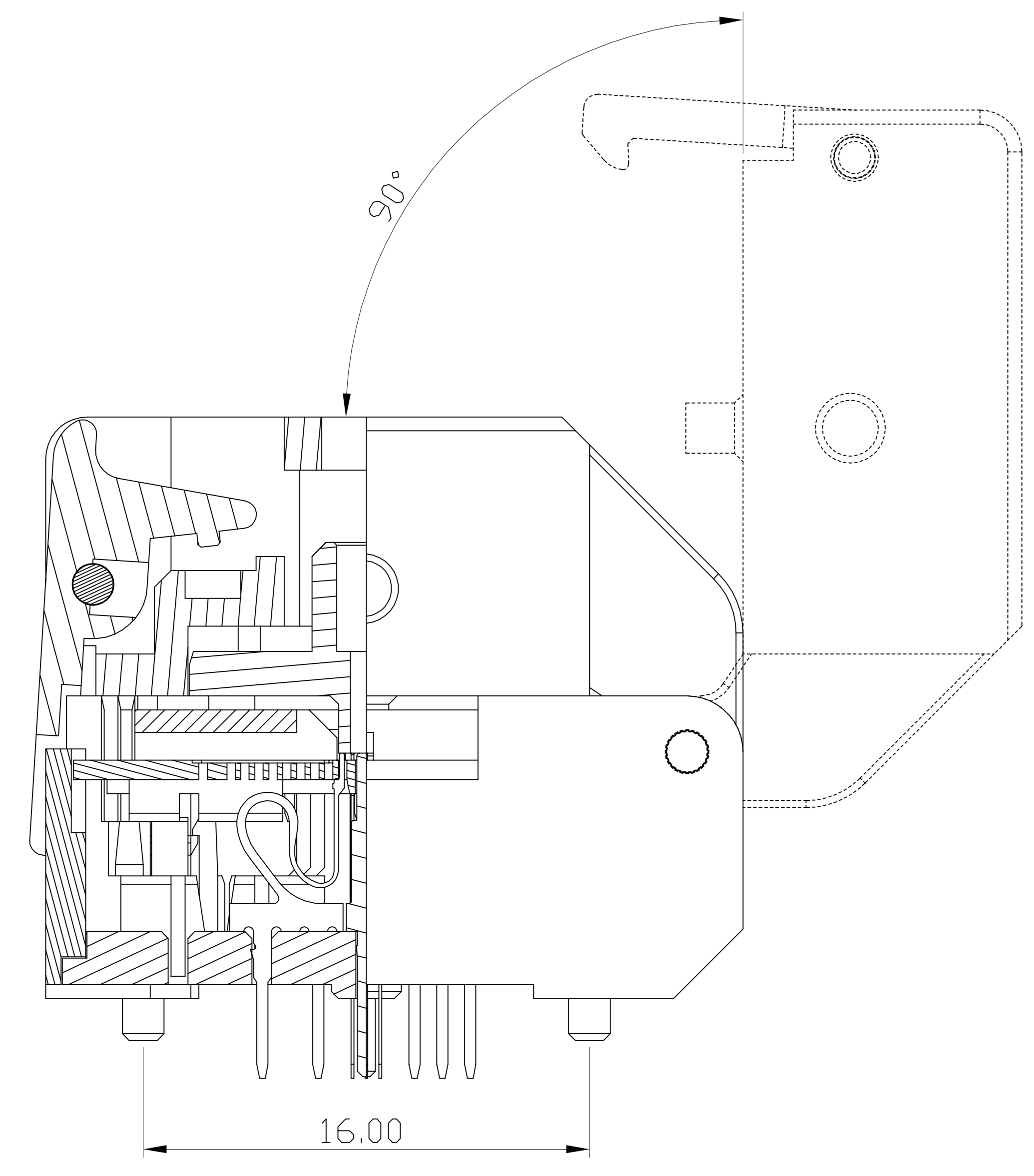
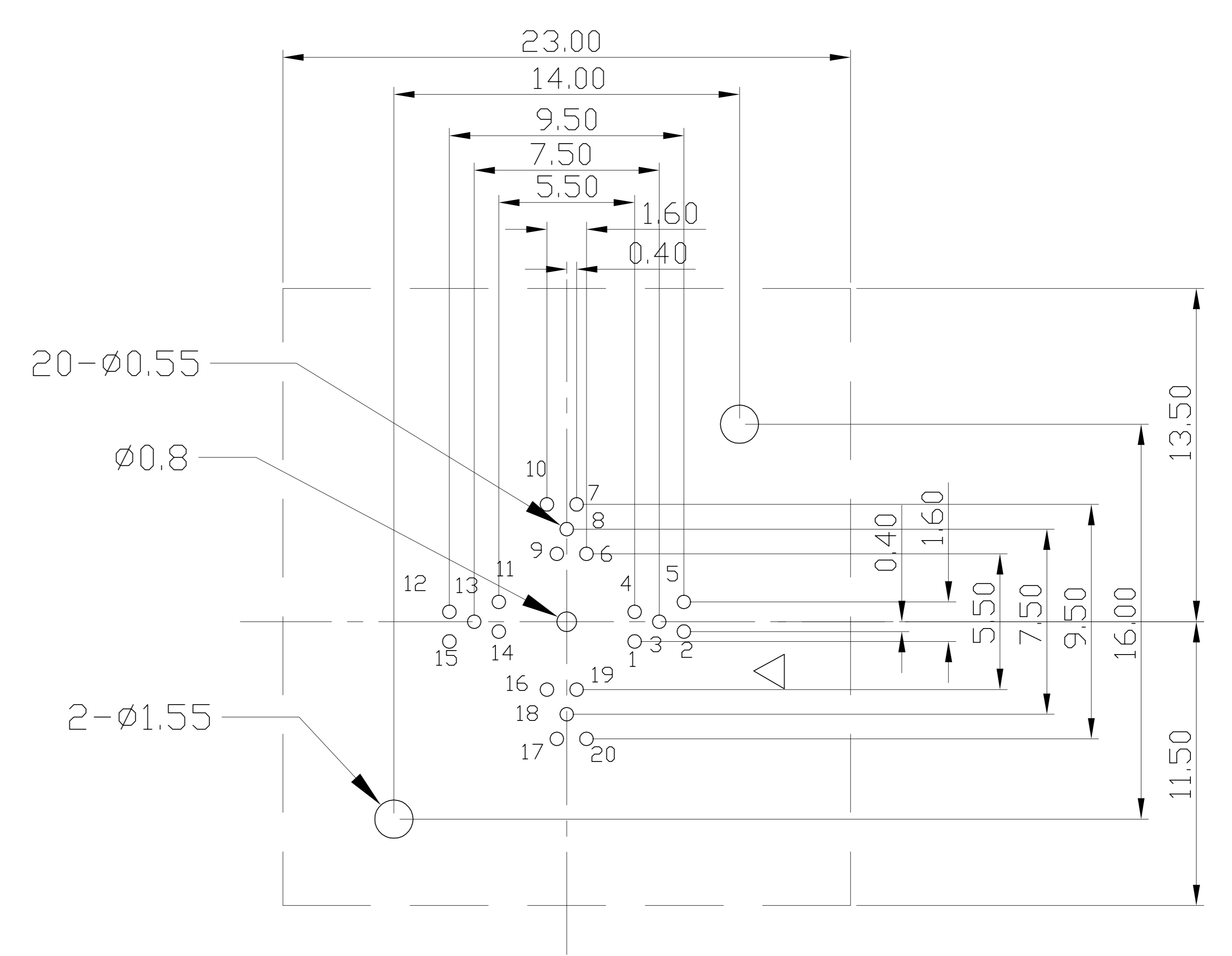
- 1、Insulation Resistance: 1000M $\Omega$  Min.At DC 500V
- 2、Dielectric Withstanding Voltage For 1 Minute At AC 700V
- 3、Contact Resistance 30m $\Omega$  MAX. at 10mA and 20mV MAX.(Initial)
- 4、Current Rating: 1A max.
- 5、Operation Temperature -40°C ~+155°C
- 6、Life Span 15,000 Times (Mechanical)
- 7、Operation Force 2.0 Kg MAX

TOLERANCE	PROJECTION	GENERAL TOLERANCES	±0.10	TITLE	QFN16-0.5 SOCKET
X.	± 0.50	DIMENSION: mm	SCALE: 1:1	CLASS	<b>QFN16-0.5-TP02GT</b>
X.X	± 0.25	APP:	DATE:	DRW. NO	6U-PWQFN-0.5-16-4X4-01
X.XX	± 0.10	CHECK:	DATE:		
X.XXX	± 0.05	DEGK:	DATE: 20130702		

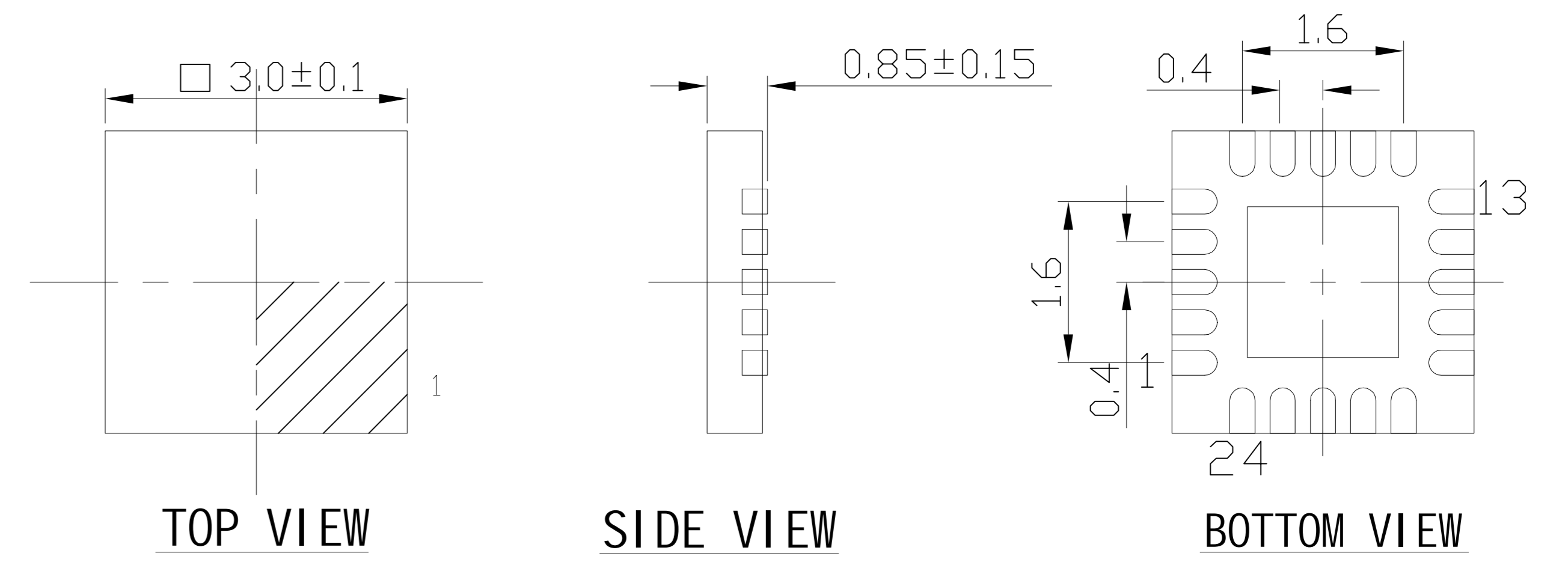
REVISION	DESCRIPTION	CHECK	APP	DATE	REV. NOTICE. NO
△ 1					
△ 2					
△ 3					



PCB Pattern(TOP View)



Applicable IC



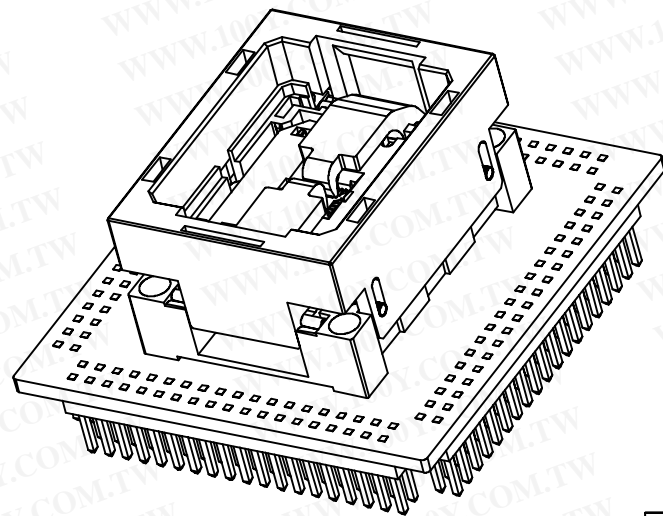
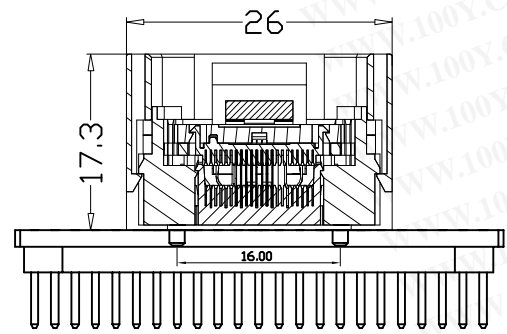
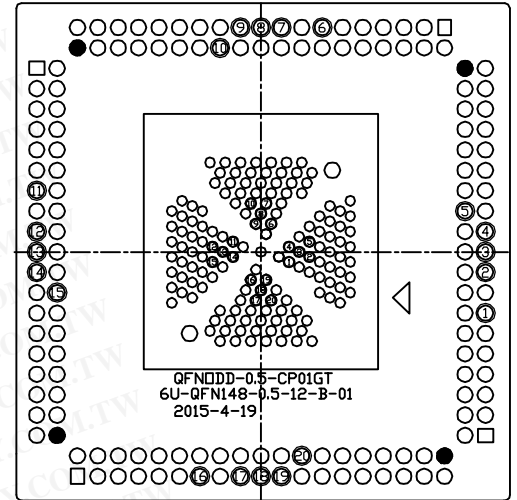
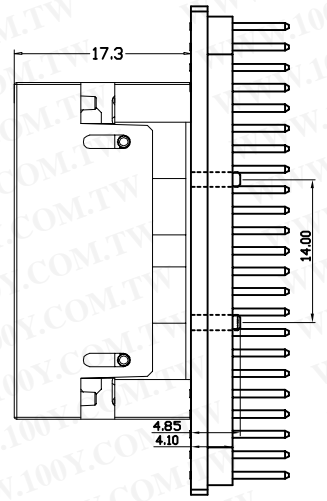
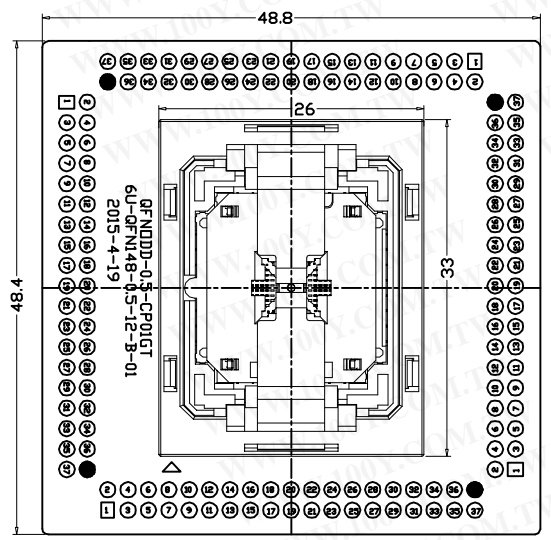
PERFORMANCE

- 1、Insulation Resistance: 1000MΩ Min.At DC 500V
- 2、Dielectric Withstanding Voltage For 1 Minute At AC 700V
- 3、Contact Resistance 30mΩ MAX. at 10mA and 20mV MAX.(Initial)
- 4、Current Rating: 1A max.
- 5、Operation Temperature -55°C ~+175°C
- 6、Life Span 15,000 Times (Mechanical)
- 7、Operation Force 2.0 Kg MAX

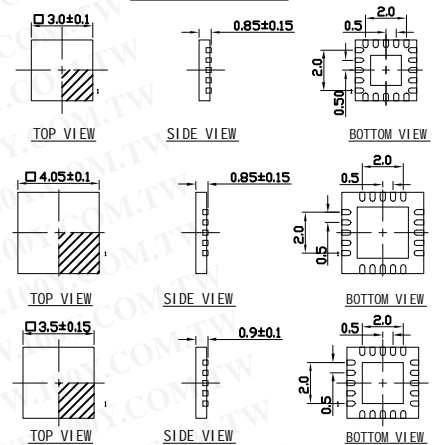
TOLERANCE	PROJECTION	GENERAL TOLERANCES	±0.10	TITLE	QFN20-0.4 SOCKET
X.	± 0.50	DIMENSION: mm	SCALE: 1:1	CLASS	QFN20-0.4-CP01GT
X.X	± 0.25	APP:	DATE:	DRW. NO	6U-PWQFN-0.4-20-3X3-01
X.XX	± 0.10	CHECK:	DATE:		
X.XXX	± 0.05	DEGK: ENG03	DATE: 20150606		

REVISION	DESCRIPTION	CHECK	APP	DATE	REV. NOTICE. NO
1					
2					
3					

# QFN 奇数万能转接板连线图



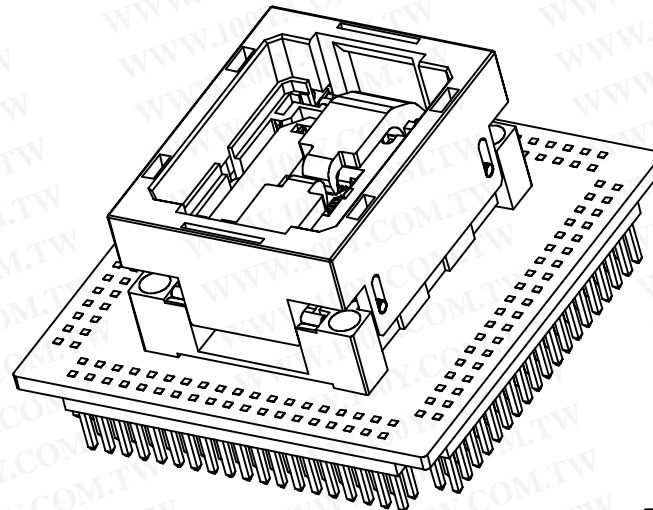
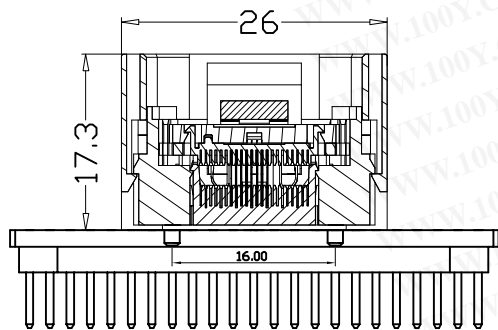
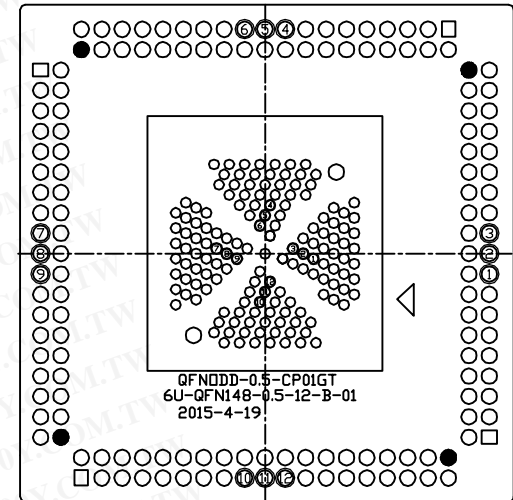
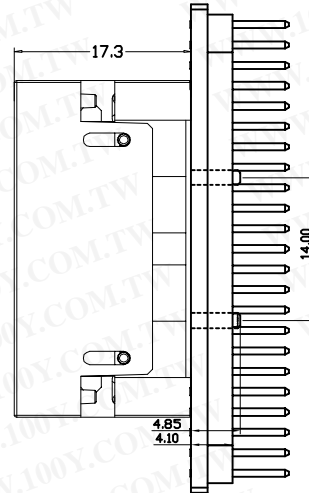
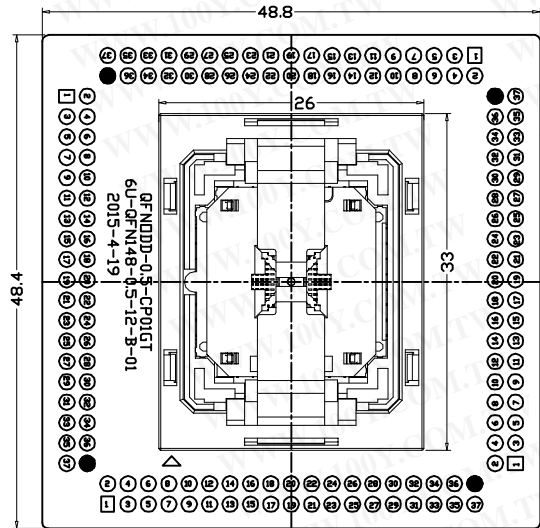
## Applicable IC



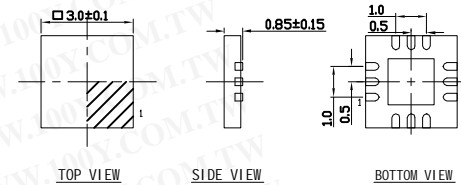
PROJECTION		GENERAL TOLERANCES	±0.10	TITLE	QFN20-0.5 SOCKET
		R E V	A	CLASS	7L-24020B-101
DIMENSION:	mm	SCALE:	1:1	DRW. NO	7L-PWQFN-0.5-20-B-01
APP:		DATE:			
CHECK:		DATE:			
DECK:		DATE:	20120822		

REVISION	DESCRIPTION	CHECK	APP	DATE	REV. NOTICE. NO
△1					
△2					
△3					

# QFN 奇数万能转接板连线图

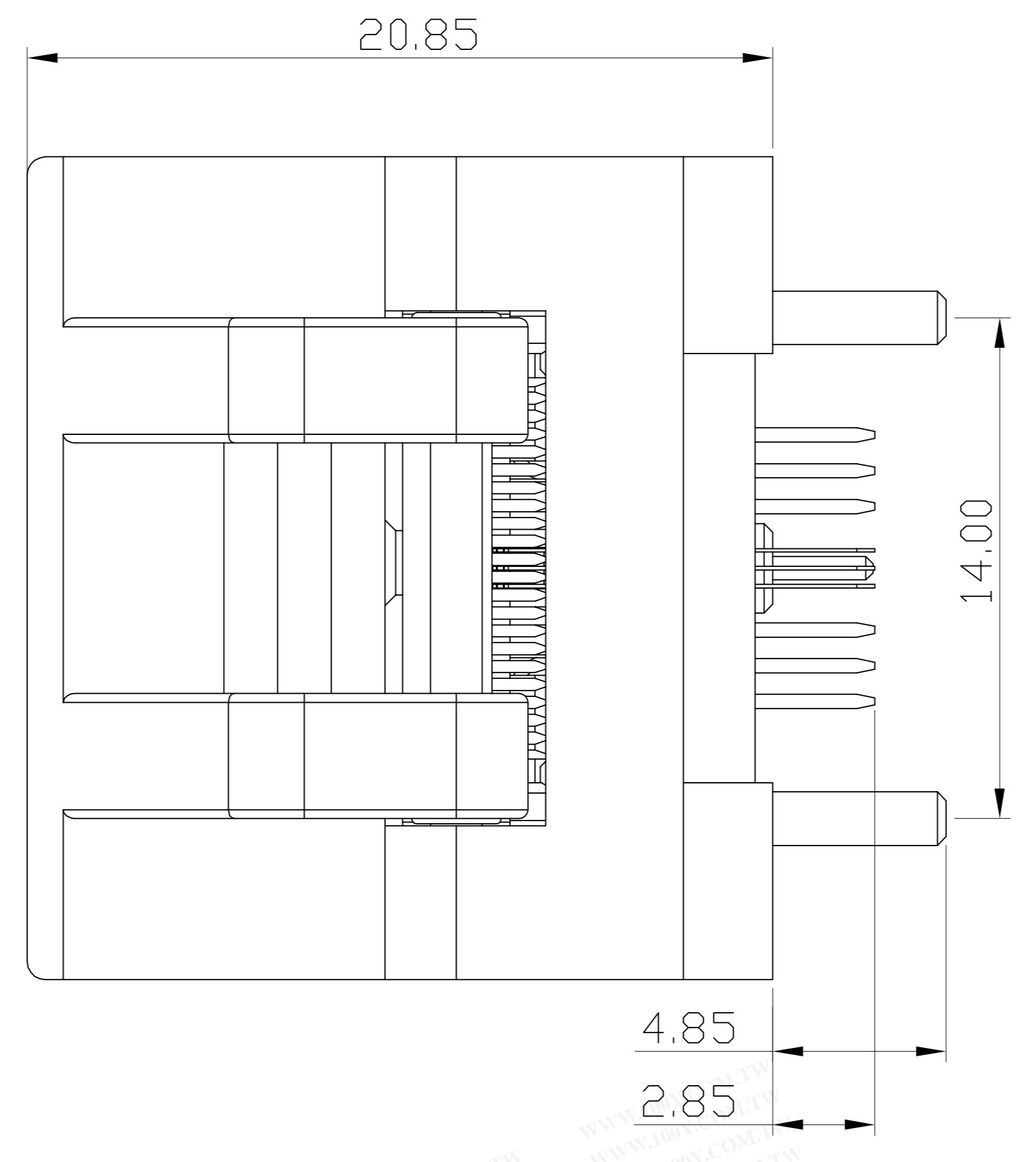
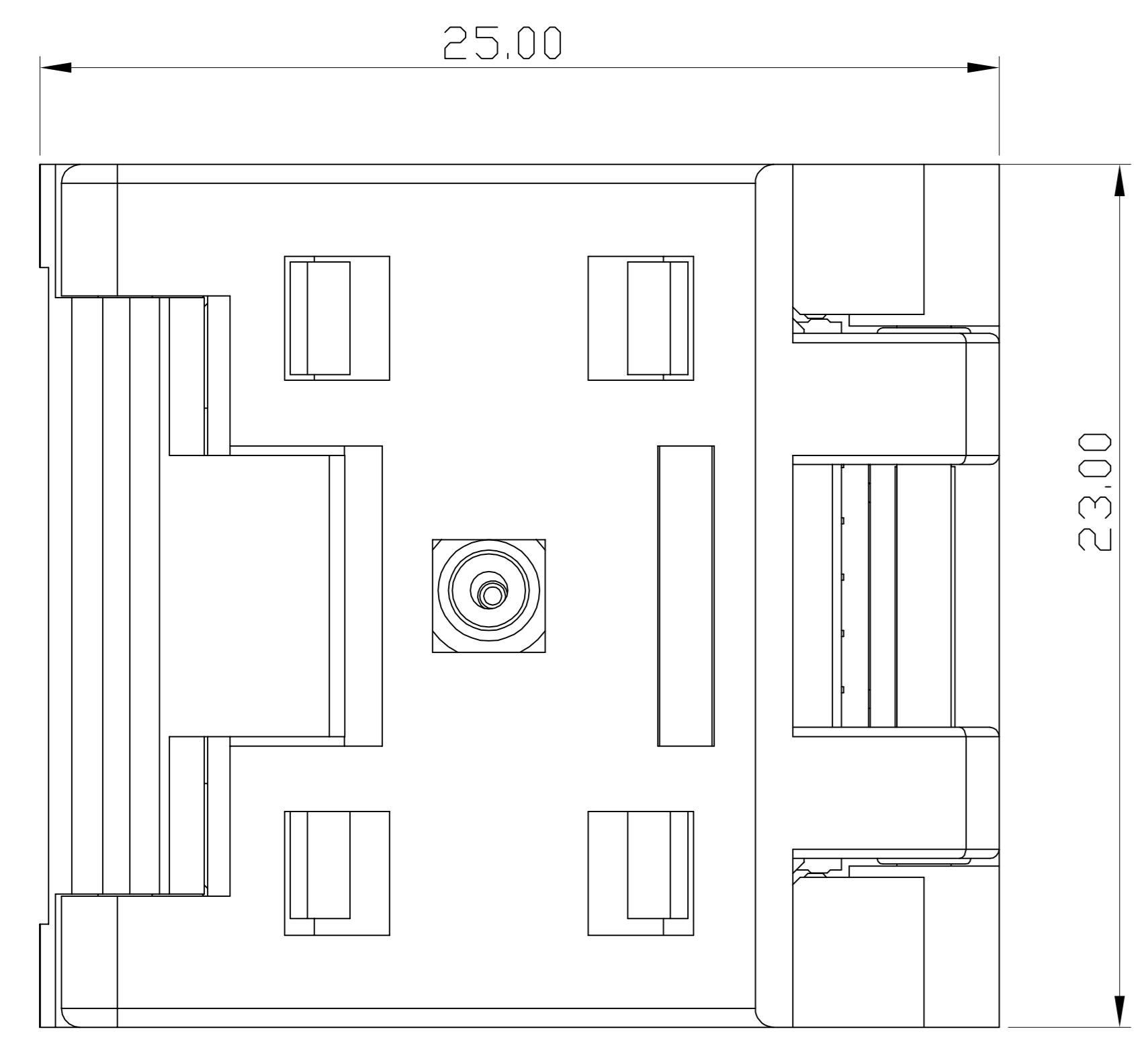


Applicable IC

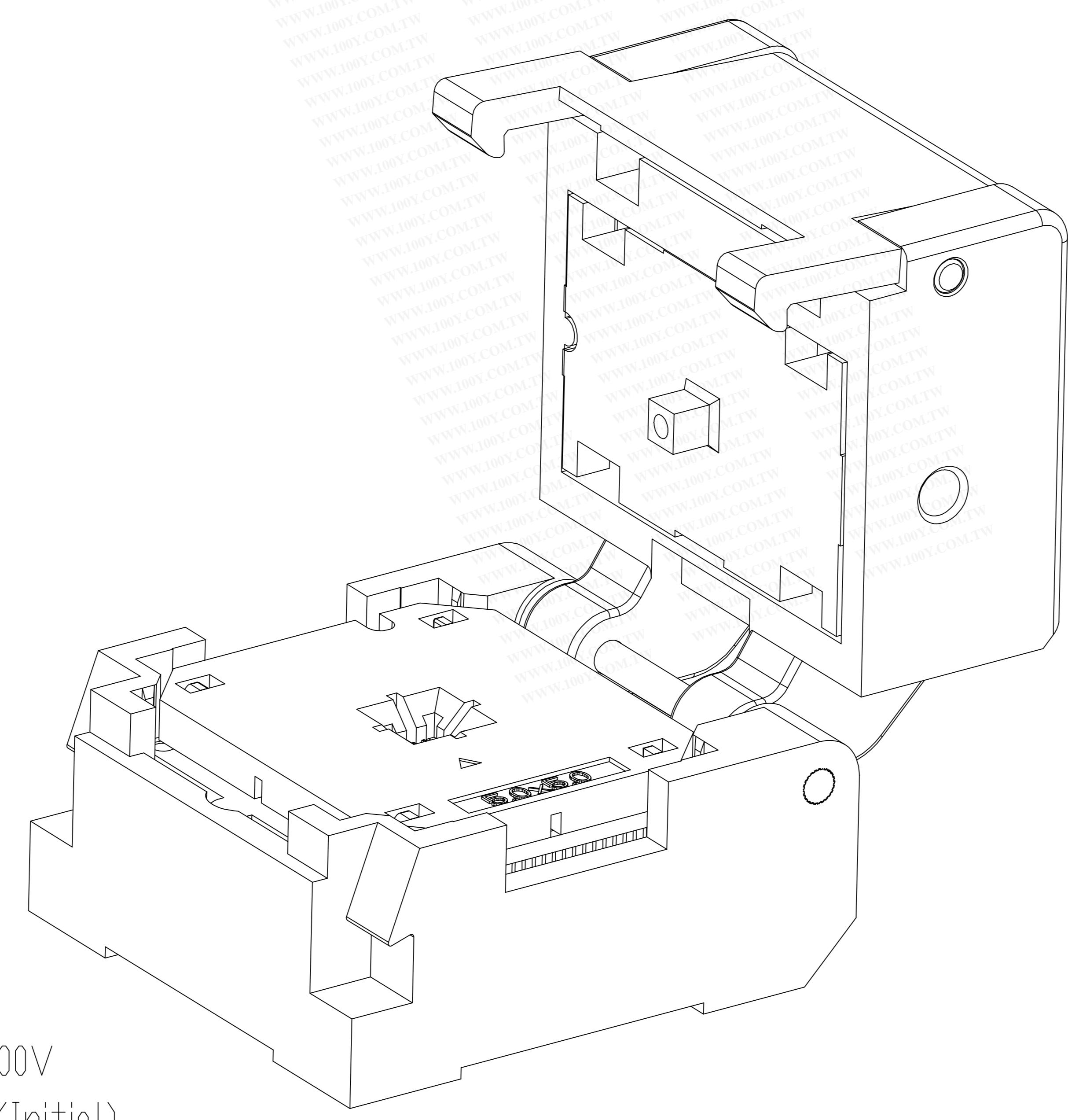
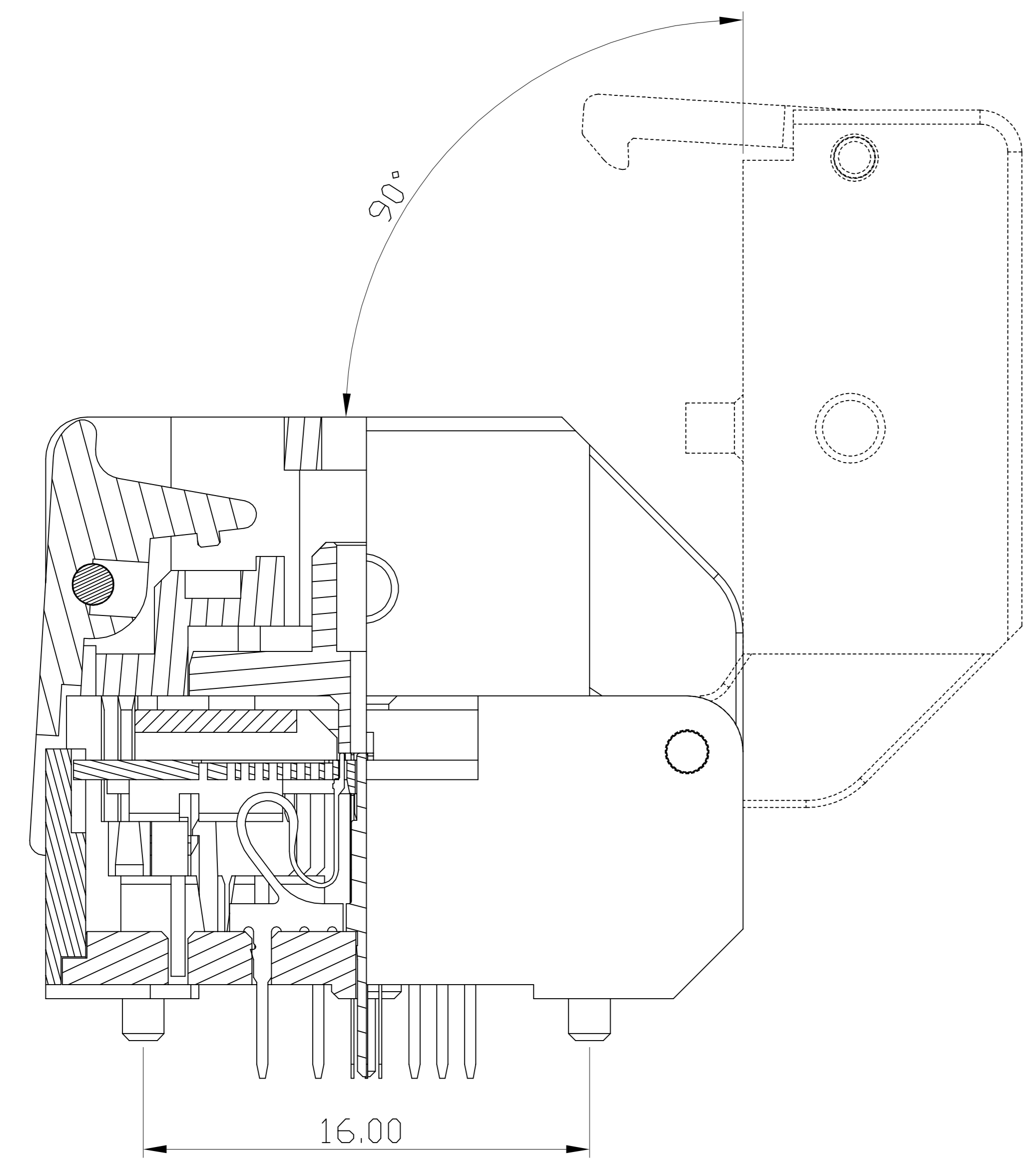
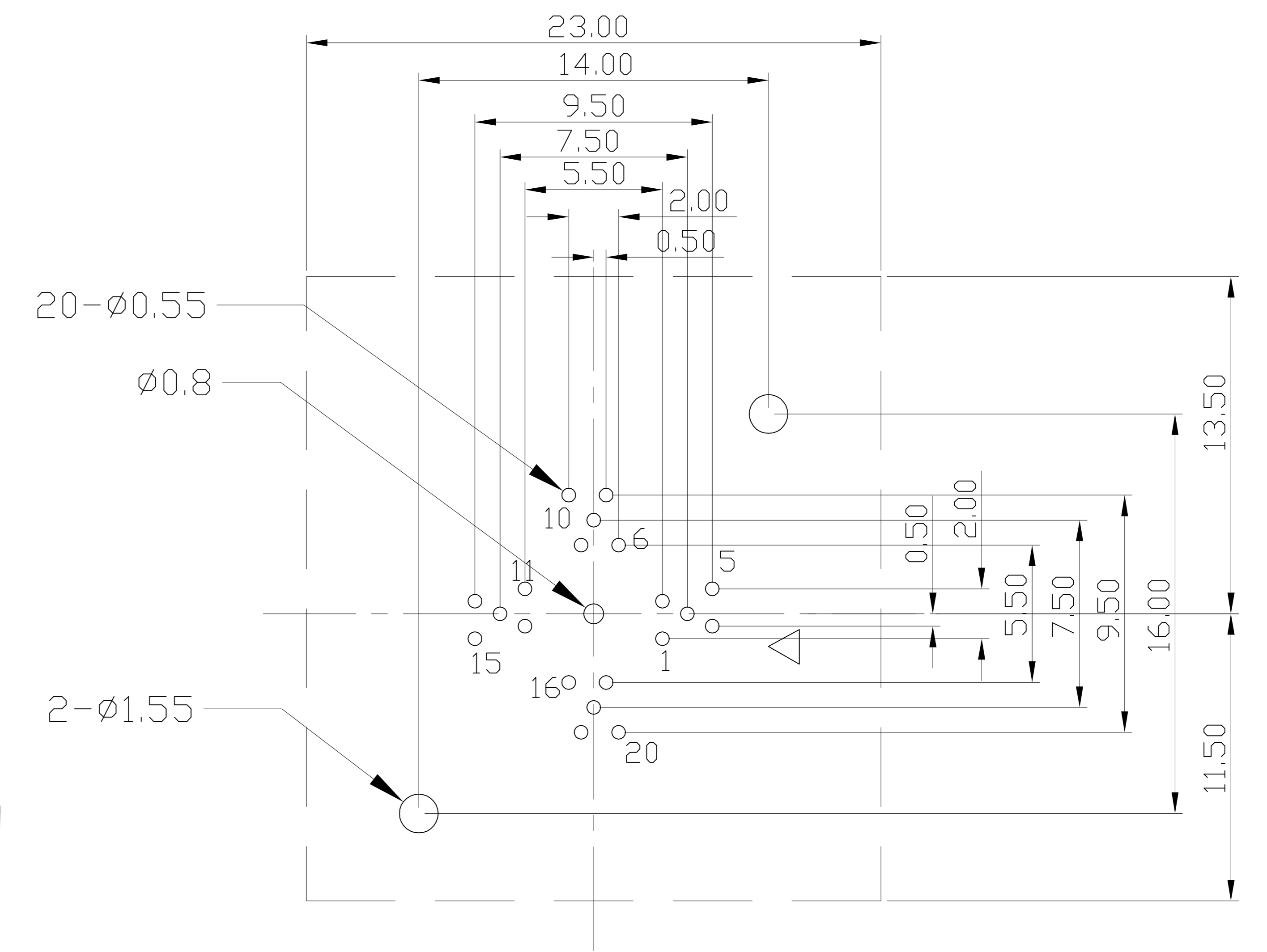


PROJECTION		GENERAL TOLERANCES	±0.10	TITLE	QFN12-0.5 SOCKET
		R E V	A	CLASS	7L-24012B-102
DIMENSION:	mm	SCALE:	1:1	DRW. NO	7L-PWQFN-0.5-12-B-01
APP:		DATE:			
CHECK:		DATE:			
DECK:		DATE:	20120822		

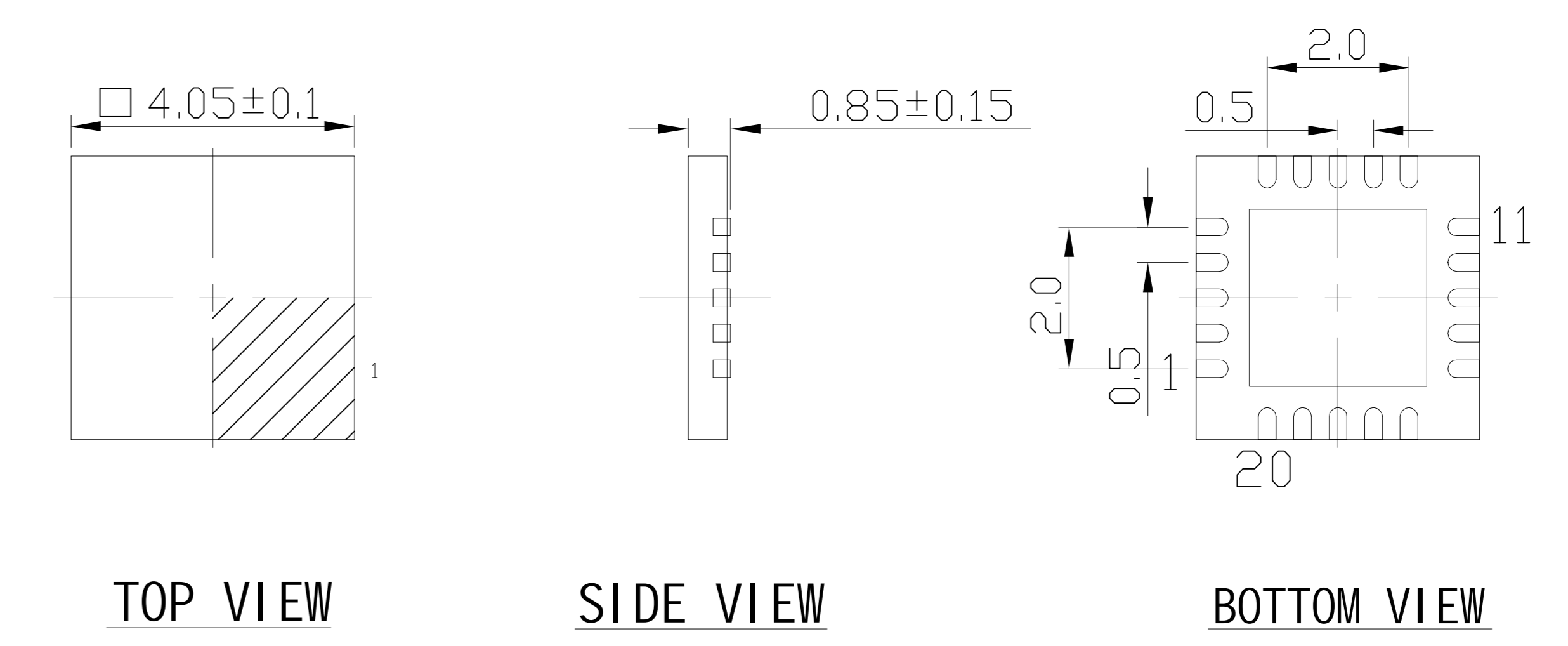
REVISION	DESCRIPTION	CHECK	APP	DATE	REV. NOTICE. NO
△ 1					
△ 2					
△ 3					



PCB Pattern(TOP View)



Applicable IC

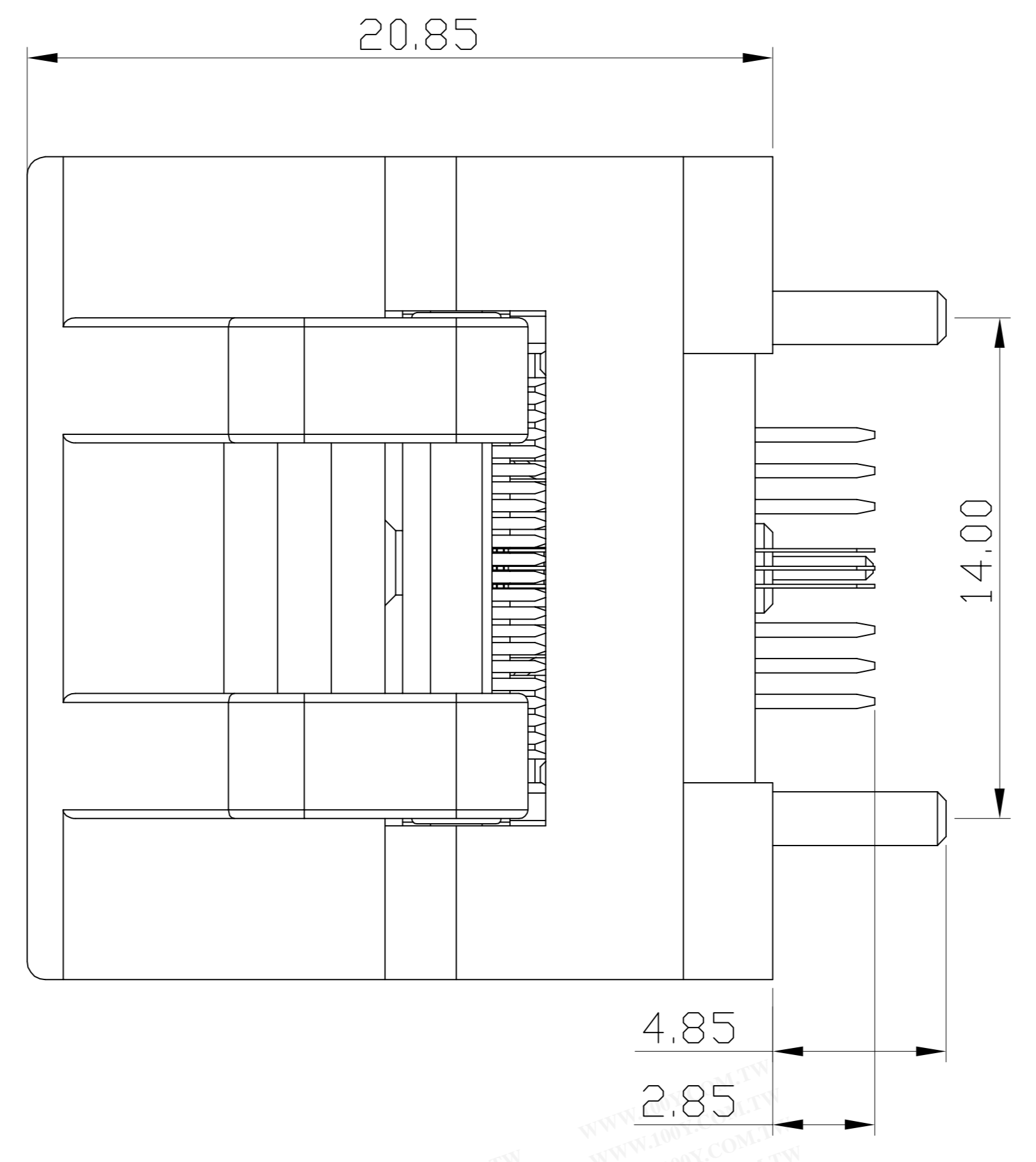
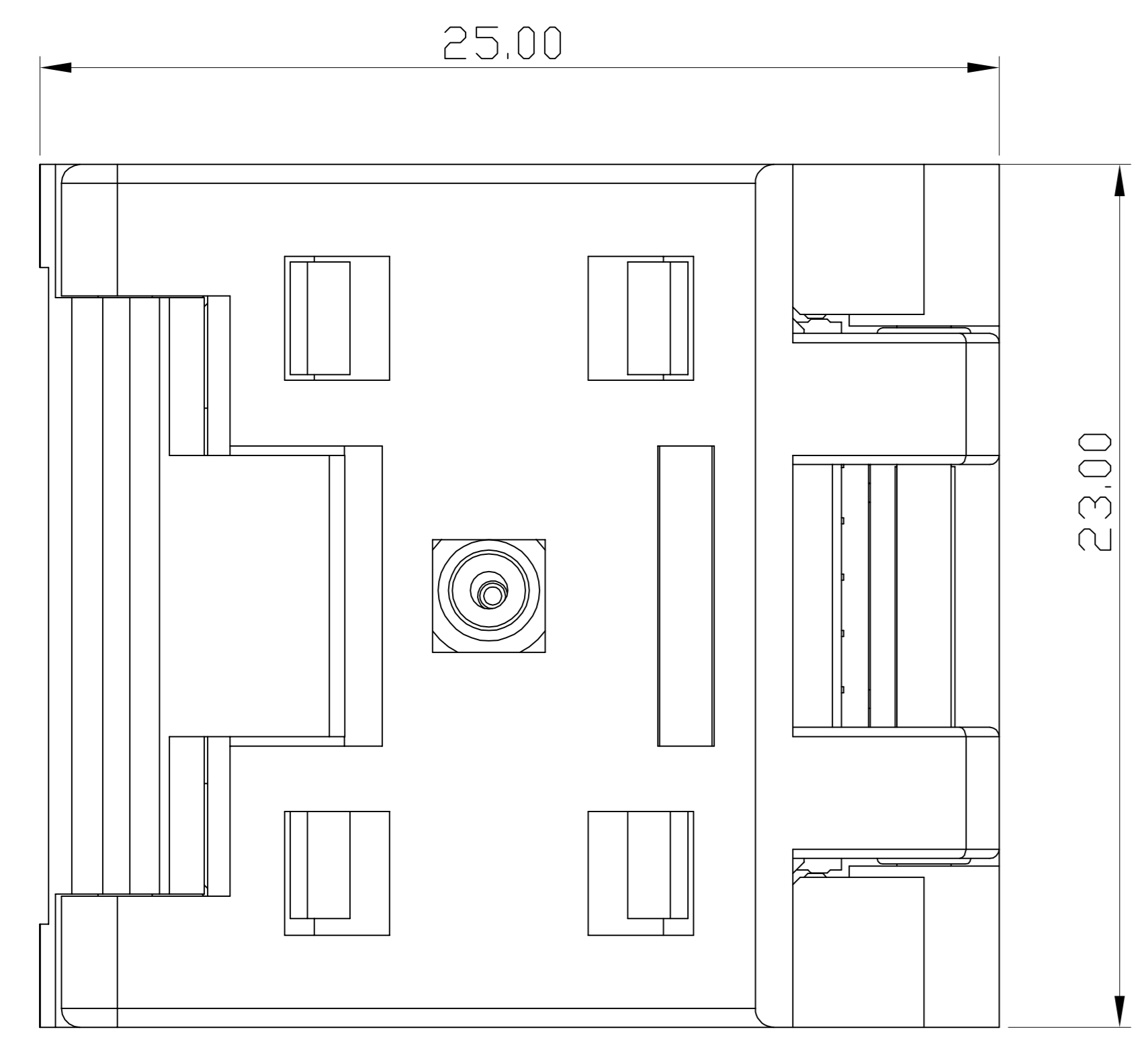


PERFORMANCE

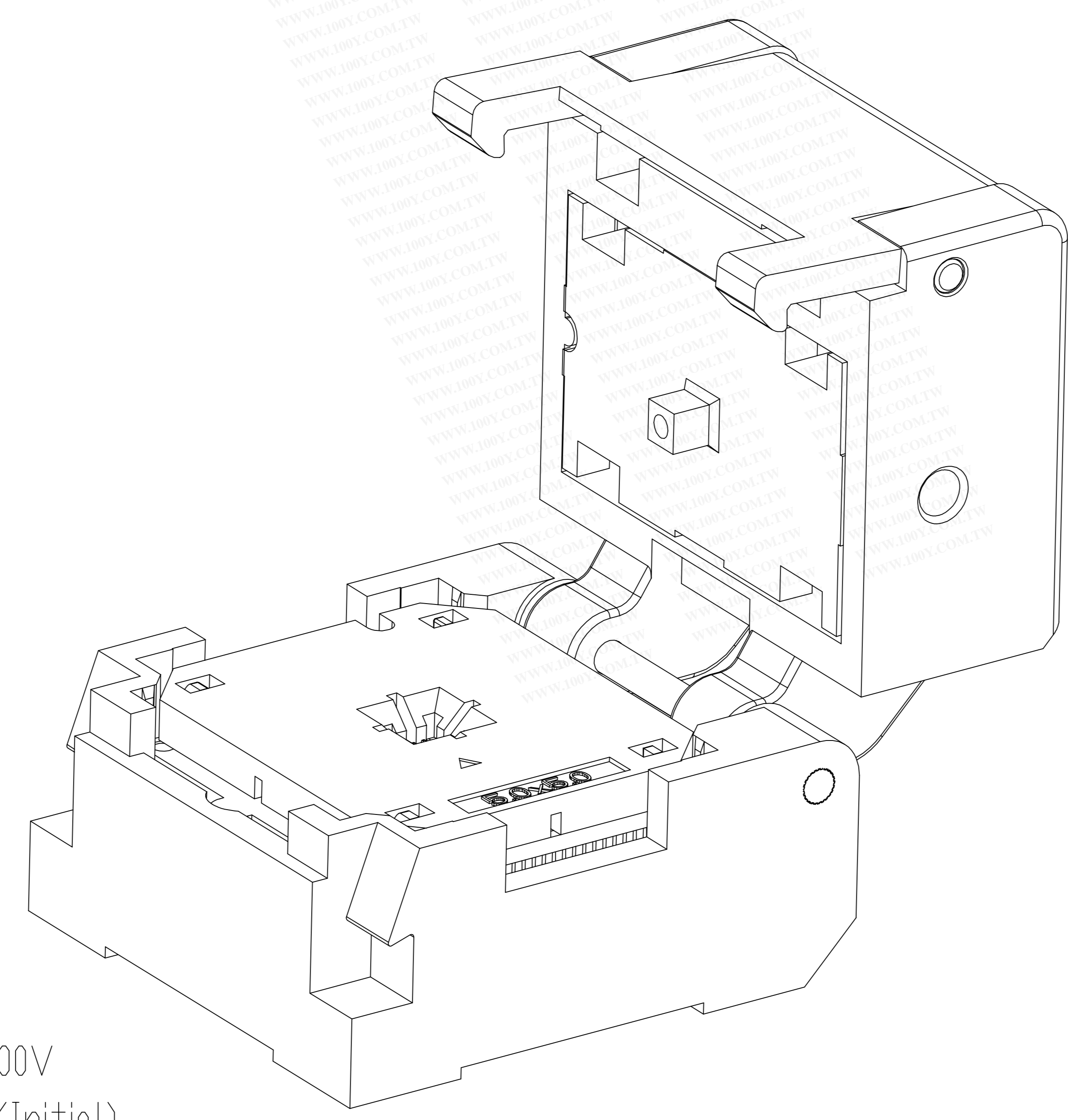
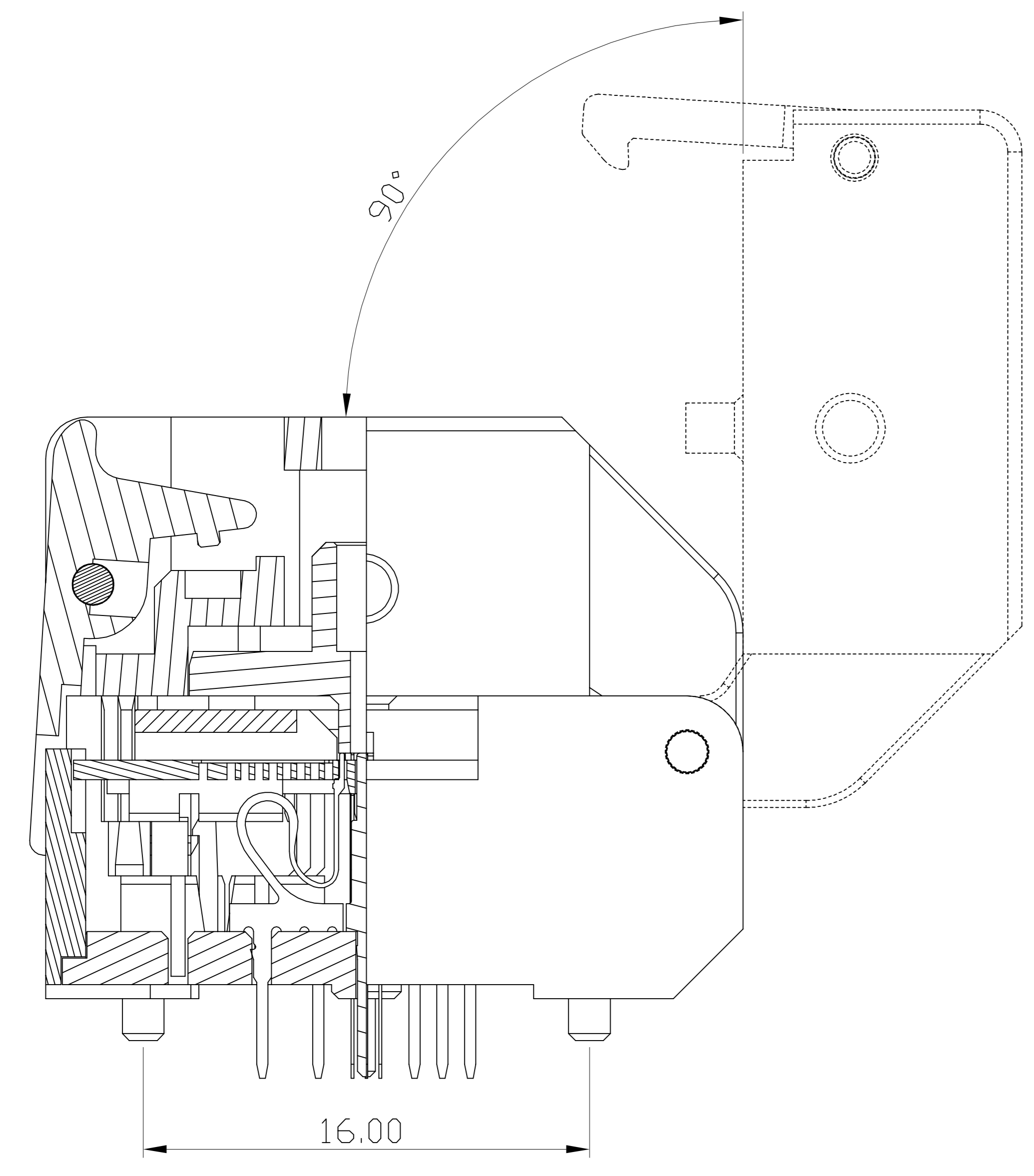
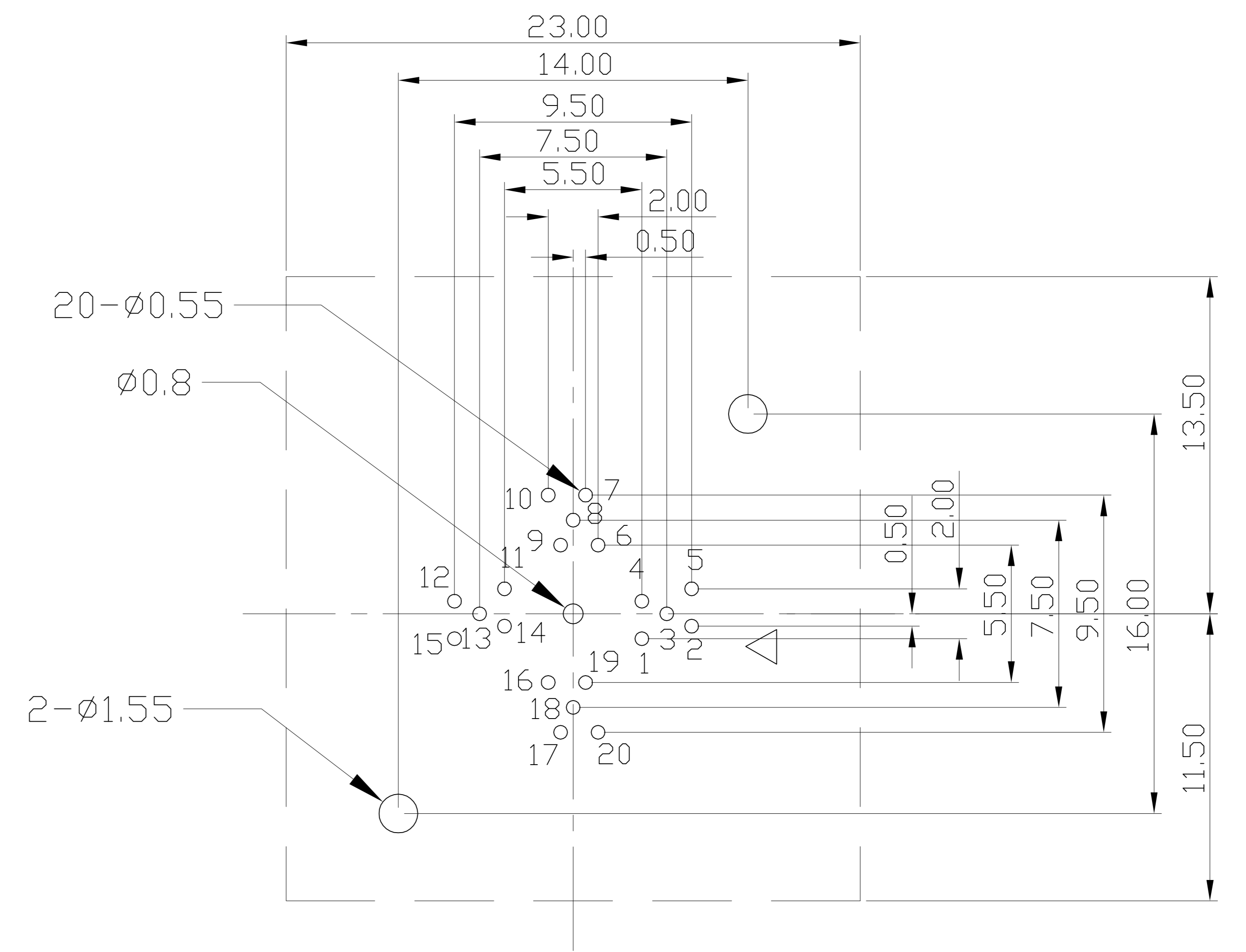
1. Insulation Resistance: 1000M $\Omega$  Min.At DC 500V
2. Dielectric Withstanding Voltage For 1 Minute At AC 700V
3. Contact Resistance 30m $\Omega$  MAX. at 10mA and 20mV MAX.(Initial)
4. Current Rating: 1A max.
5. Operation Temperature -40°C ~+155°C
6. Life Span 15,000 Times (Mechanical)
7. Operation Force 2.0 Kg MAX

TOLERANCE	PROJECTION	GENERAL TOLERANCES	±0.10	TITLE	QFN20-0.5 SOCKET
X.	± 0.50	DIMENSION: mm	SCALE: 1:1	CLASS	QFN20-0.5-CP02GT
X.X	± 0.25	APP:	DATE:	DRW. NO	6U-PWQFN-0.5-20-4X4-01
X.XX	± 0.10	CHECK:	DATE:		
X.XXX	± 0.05	DEGK: ENG03	DATE: 20150606		

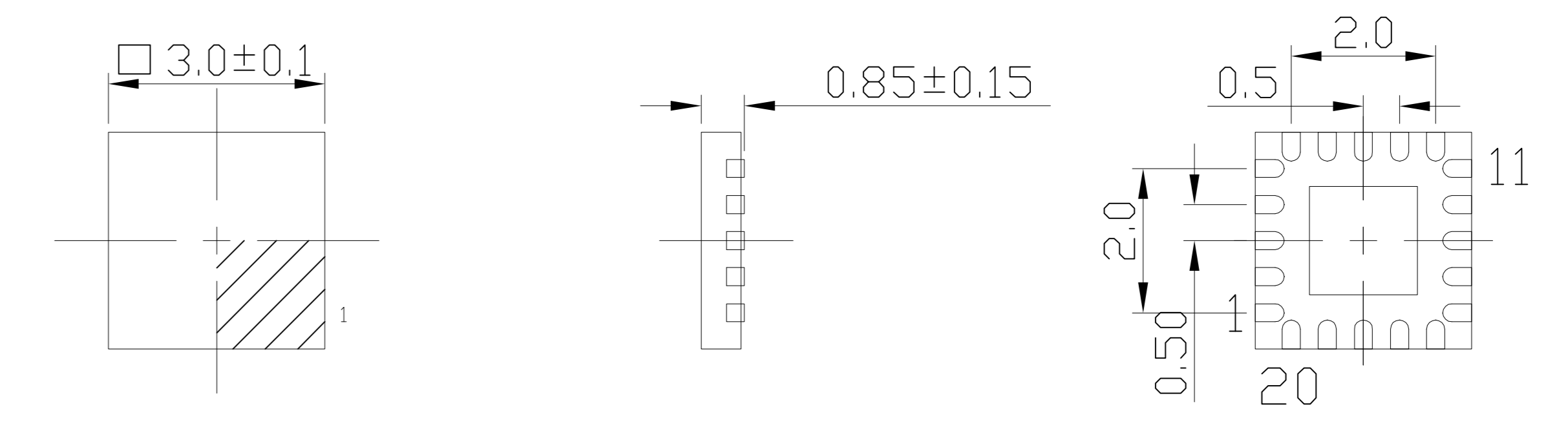
REVISION	DESCRIPTION	CHECK	APP	DATE	REV. NOTICE. NO
△ 1					
△ 2					
△ 3					



PCB Pattern(TOP View)



Applicable IC



TOP VIEW

SIDE VIEW

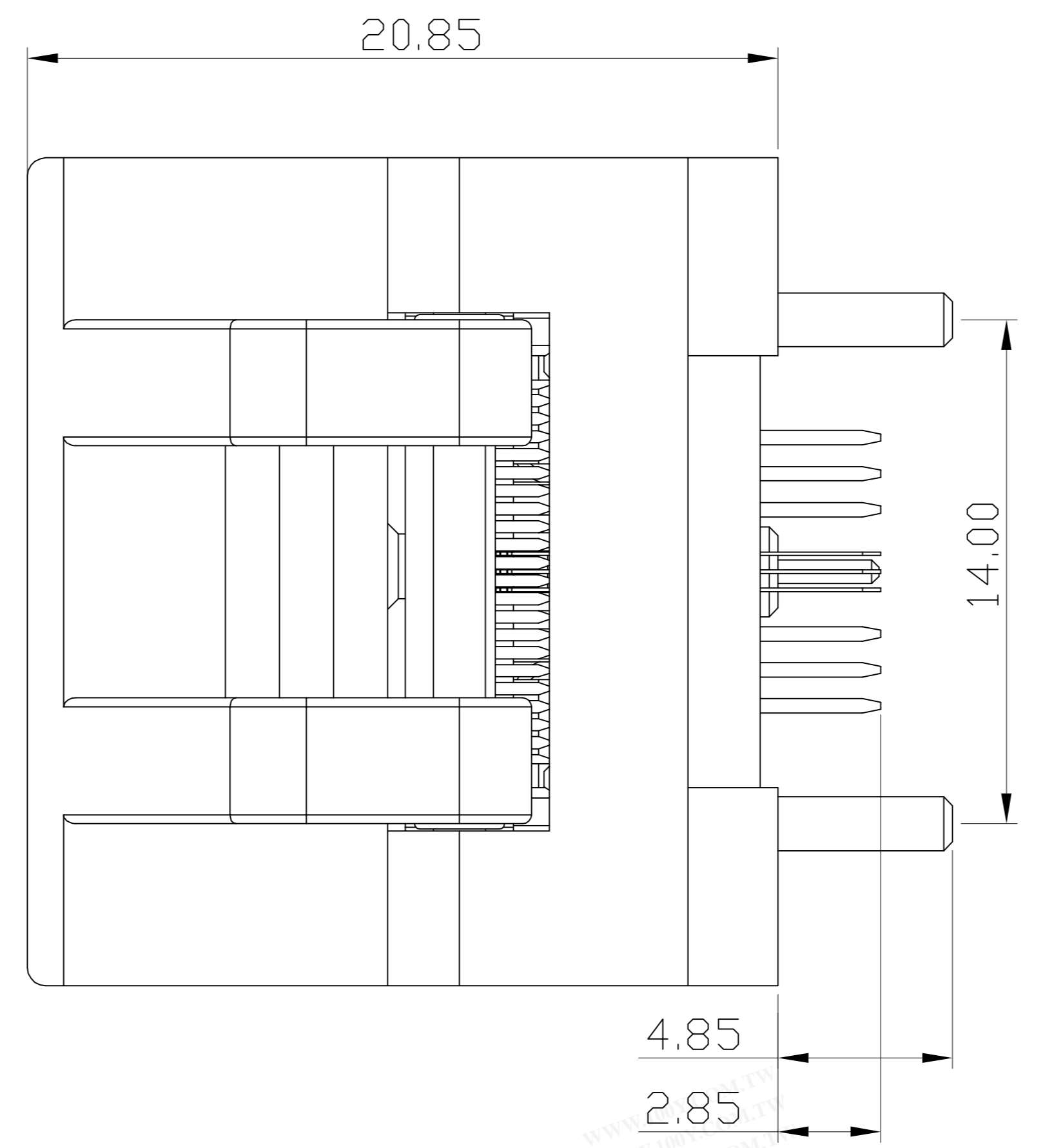
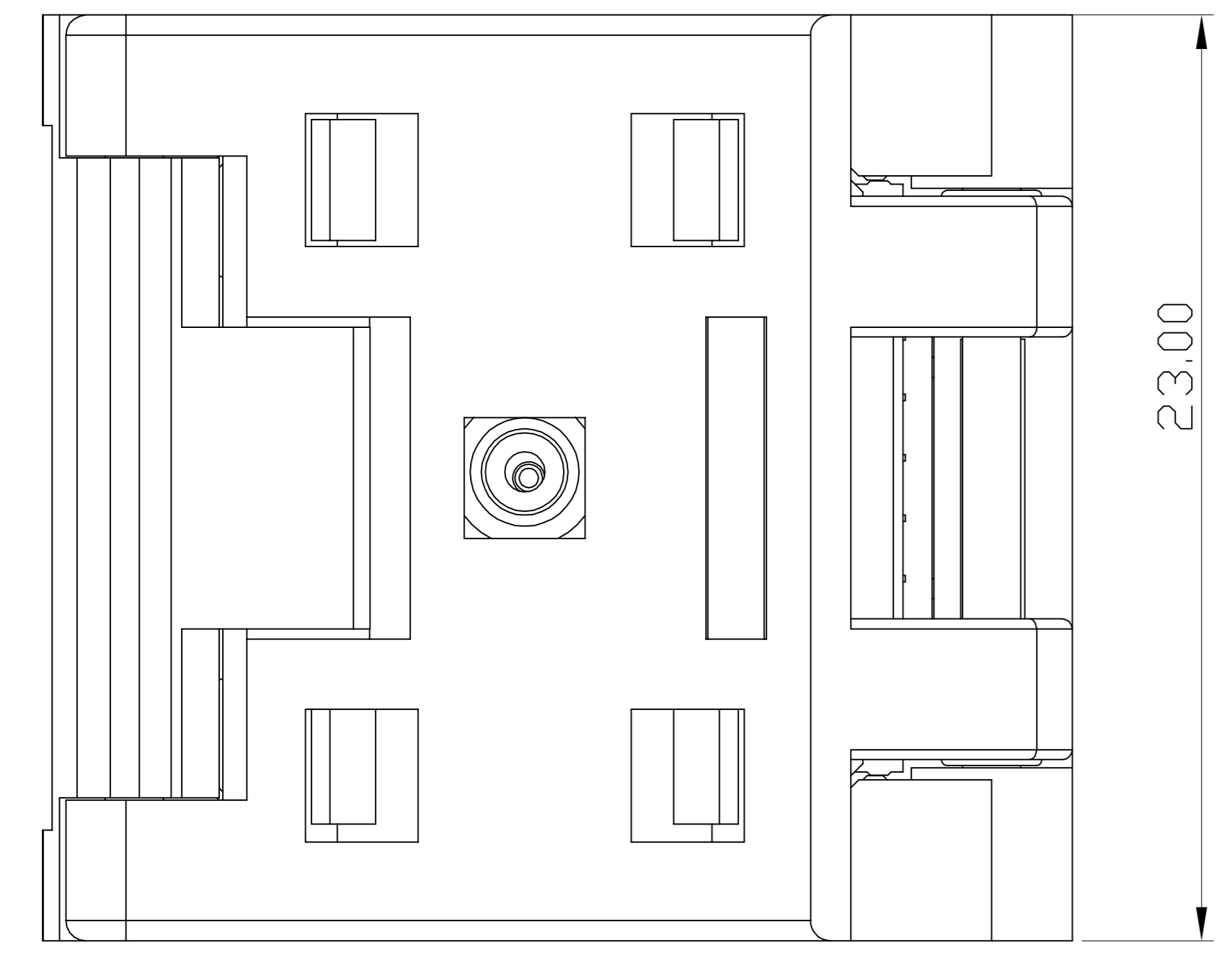
BOTTOM VIEW

PERFORMANCE

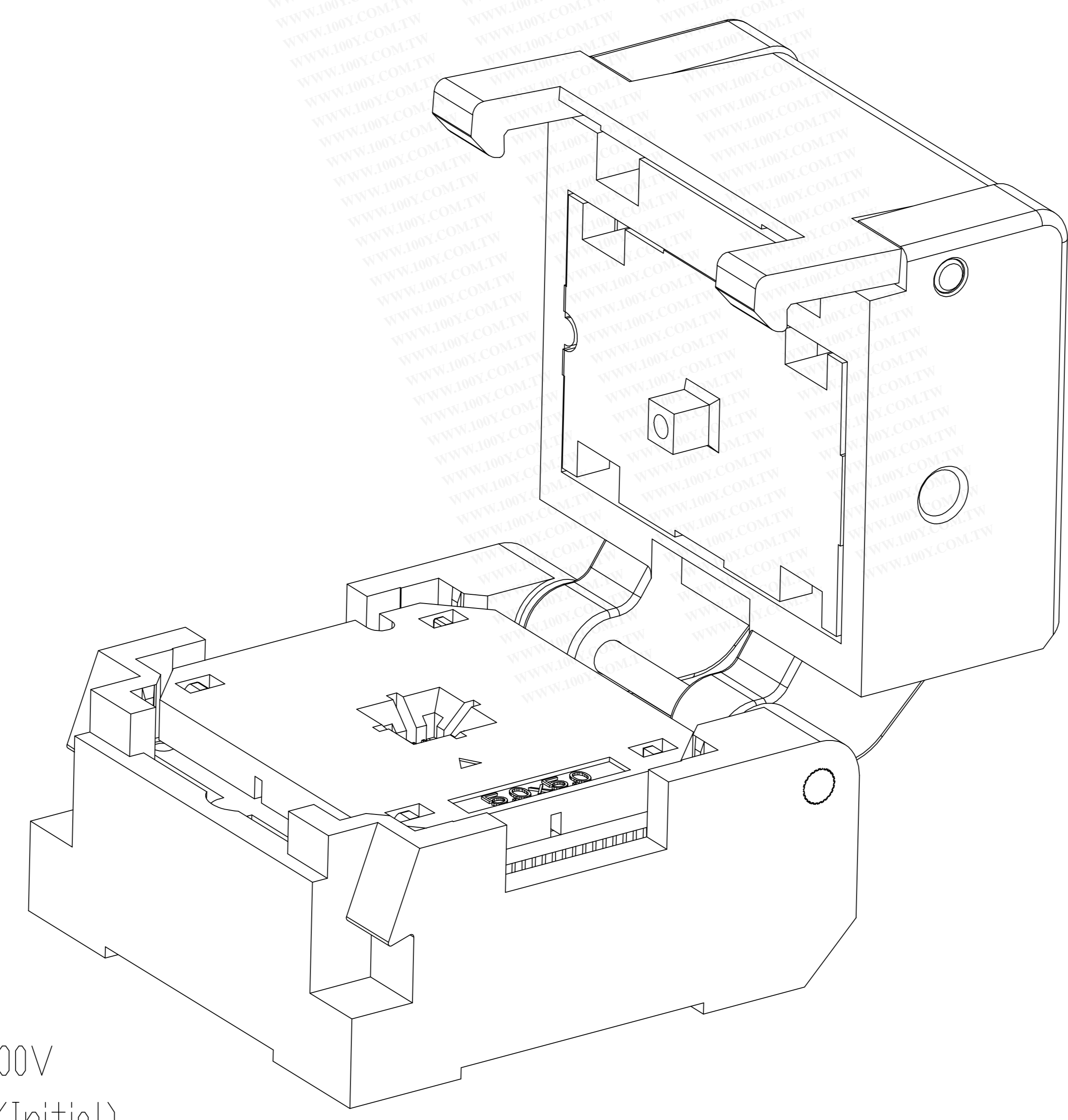
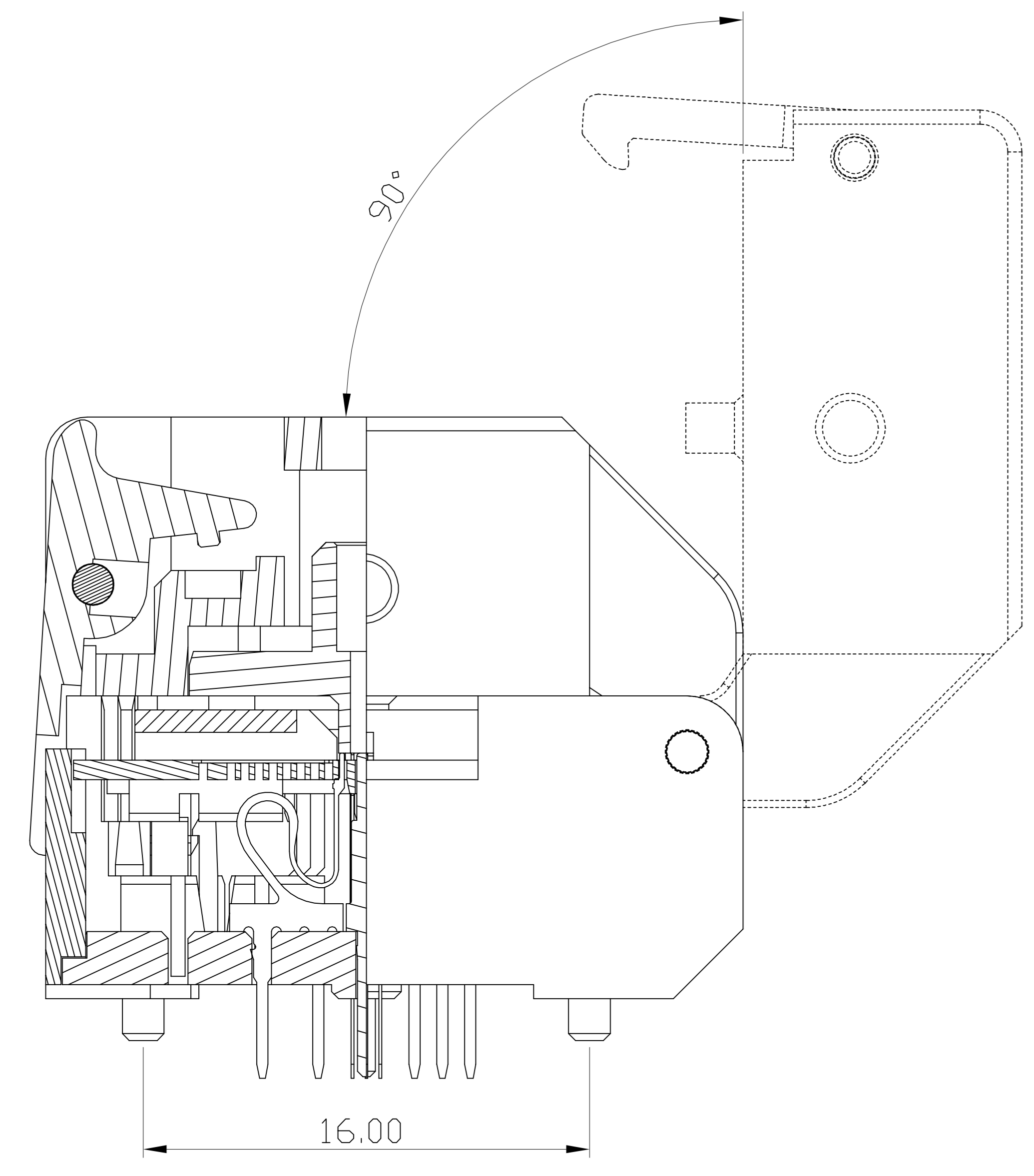
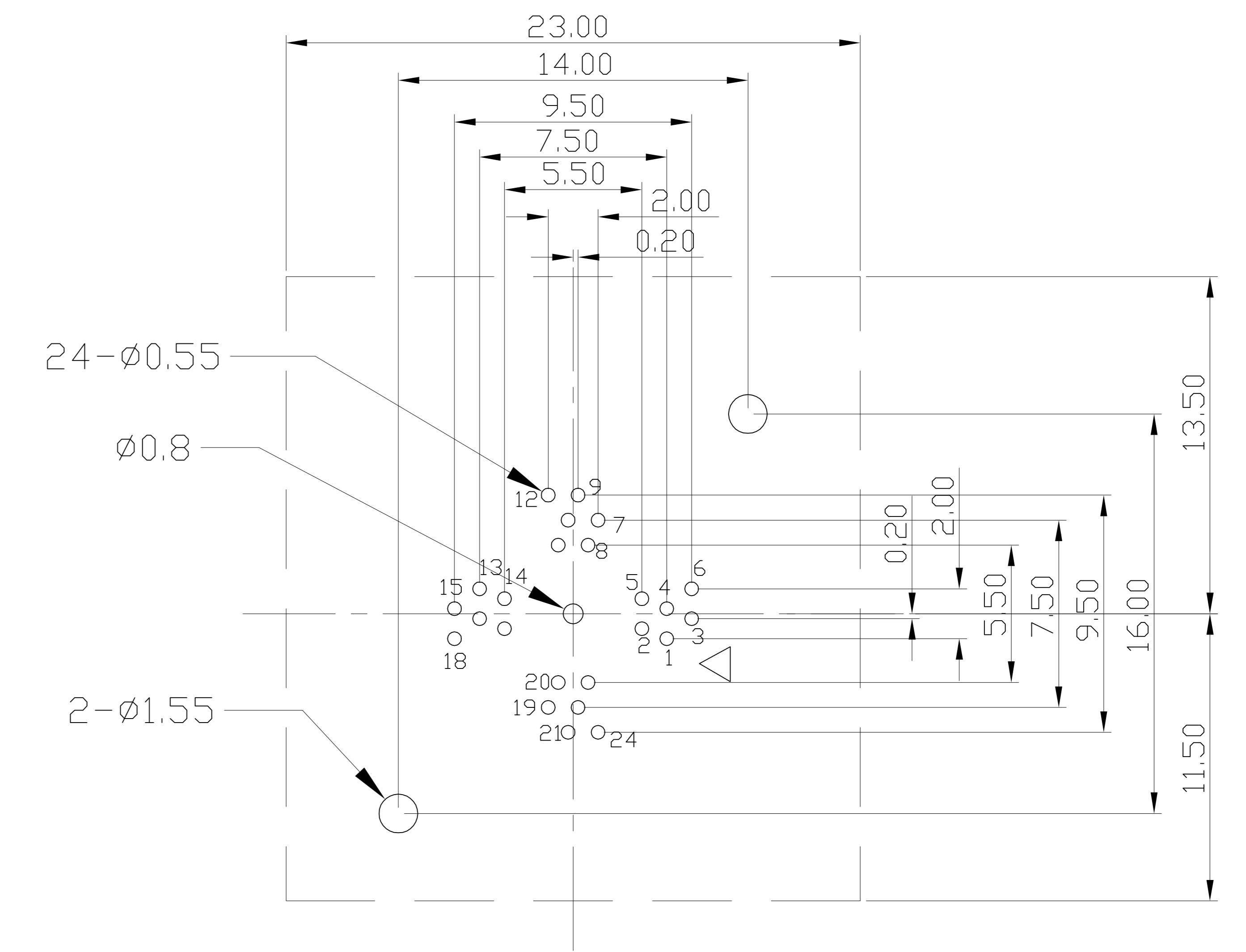
1. Insulation Resistance: 1000M $\Omega$  Min.At DC 500V
2. Dielectric Withstanding Voltage For 1 Minute At AC 700V
3. Contact Resistance 30m $\Omega$  MAX. at 10mA and 20mV MAX.(Initial)
4. Current Rating: 1A max.
5. Operation Temperature -40°C ~+155°C
6. Life Span 15,000 Times (Mechanical)
7. Operation Force 2.0 Kg MAX

TOLERANCE	PROJECTION	GENERAL TOLERANCES	±0.10	TITLE	QFN20-0.5 SOCKET
X.	± 0.50	DIMENSION: mm	SCALE: 1:1	CLASS	QFN20-0.5-CP01GT
X.X	± 0.25	APP:	DATE:	DRW. NO	6U-PWQFN-0.5-20-3X3-02
X.XX	± 0.10	CHECK:	DATE:		
X.XXX	± 0.05	DEGK: ENG03	DATE: 20150606		

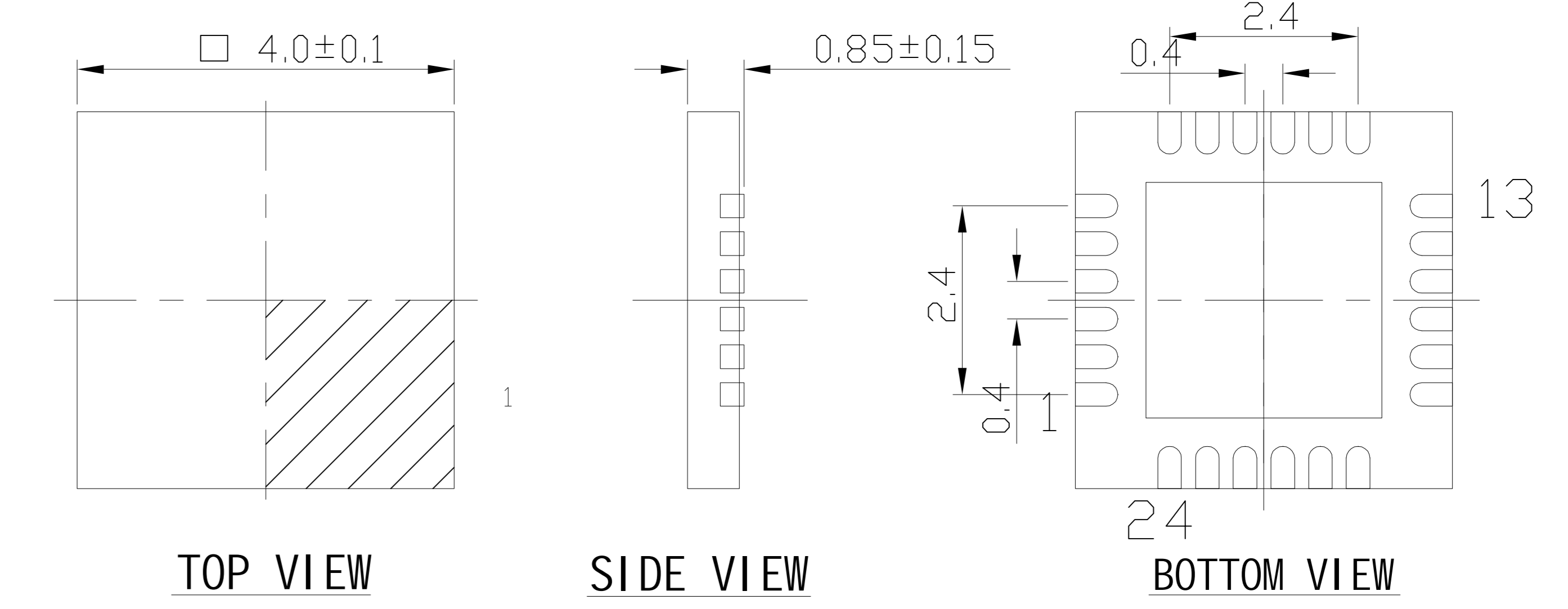
REVISION	DESCRIPTION	CHECK	APP	DATE	REV. NOTICE. NO
△ 1					
△ 2					
△ 3					



PCB Pattern(TOP View)



Applicable IC



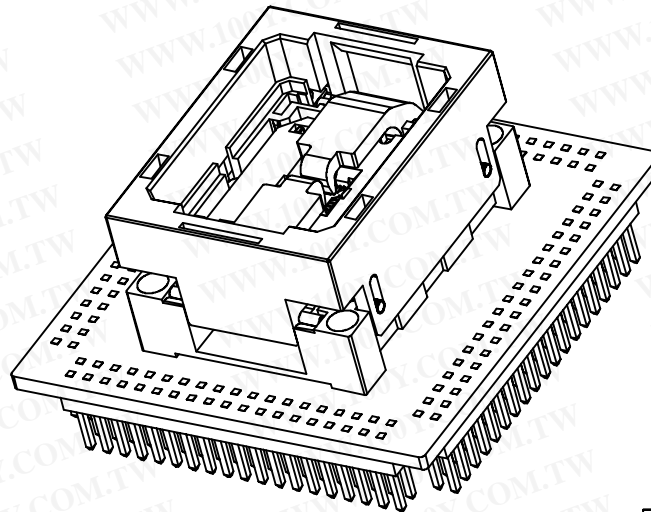
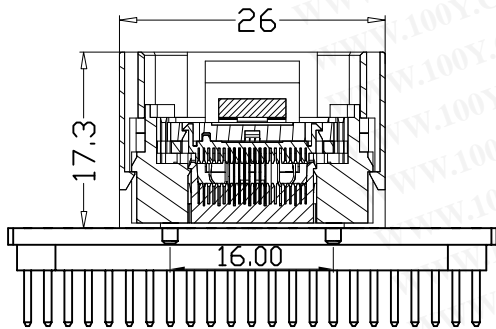
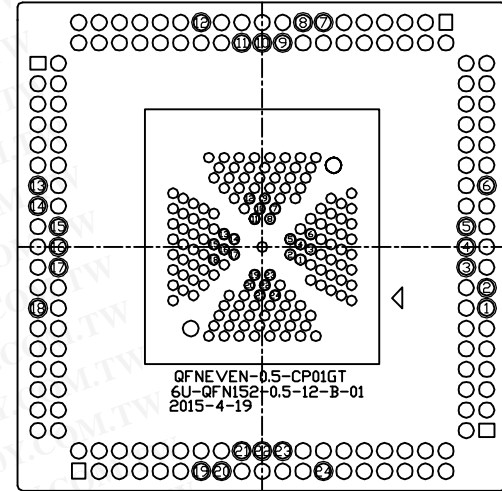
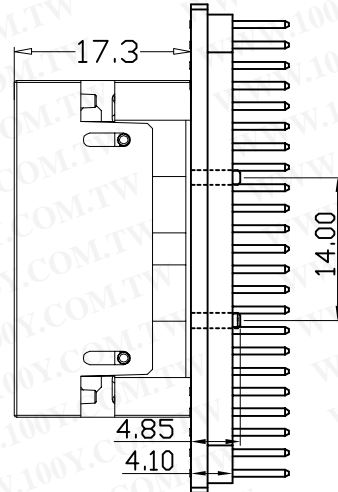
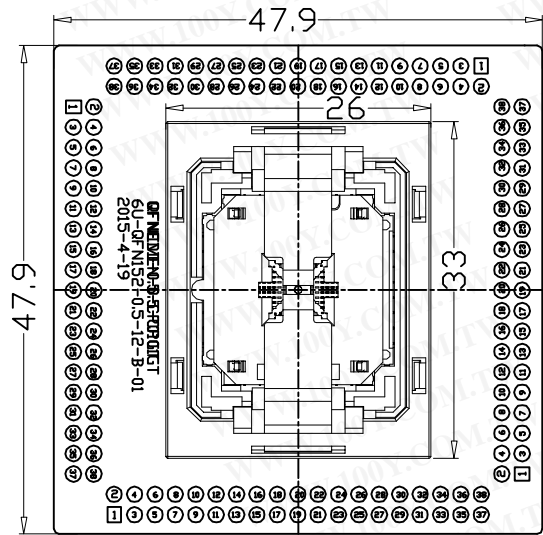
PERFORMANCE

1. Insulation Resistance: 1000MΩ Min.At DC 500V
2. Dielectric Withstanding Voltage For 1 Minute At AC 700V
3. Contact Resistance 30mΩ MAX. at 10mA and 20mV MAX.(Initial)
4. Current Rating: 1A max.
5. Operation Temperature -55°C ~+175°C
6. Life Span 15,000 Times (Mechanical)
7. Operation Force 2.0 Kg MAX

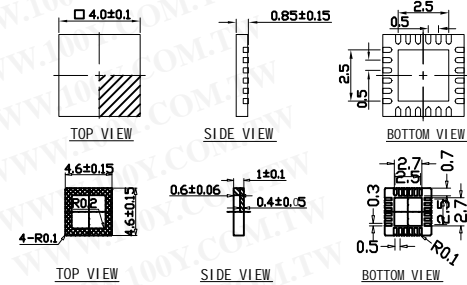
TOLERANCE	PROJECTION	GENERAL TOLERANCES	±0.10	TITLE	QFN24-0.4 SOCKET
X.	± 0.50	DIMENSION: mm	SCALE: 1:1	CLASS	QFN24-0.4-CP01GT
X.X	± 0.25	APP:	DATE:		6U-PWQFN-0.4-24-4X4-01
X.XX	± 0.10	CHECK:	DATE:		
X.XXX	± 0.05	DEGK: ENG03	DATE: 20150606		

REVISION	DESCRIPTION	CHECK	APP	DATE	REV. NOTICE. NO
△1					
△2					
△3					

# QFN 偶数万能转接板连线图

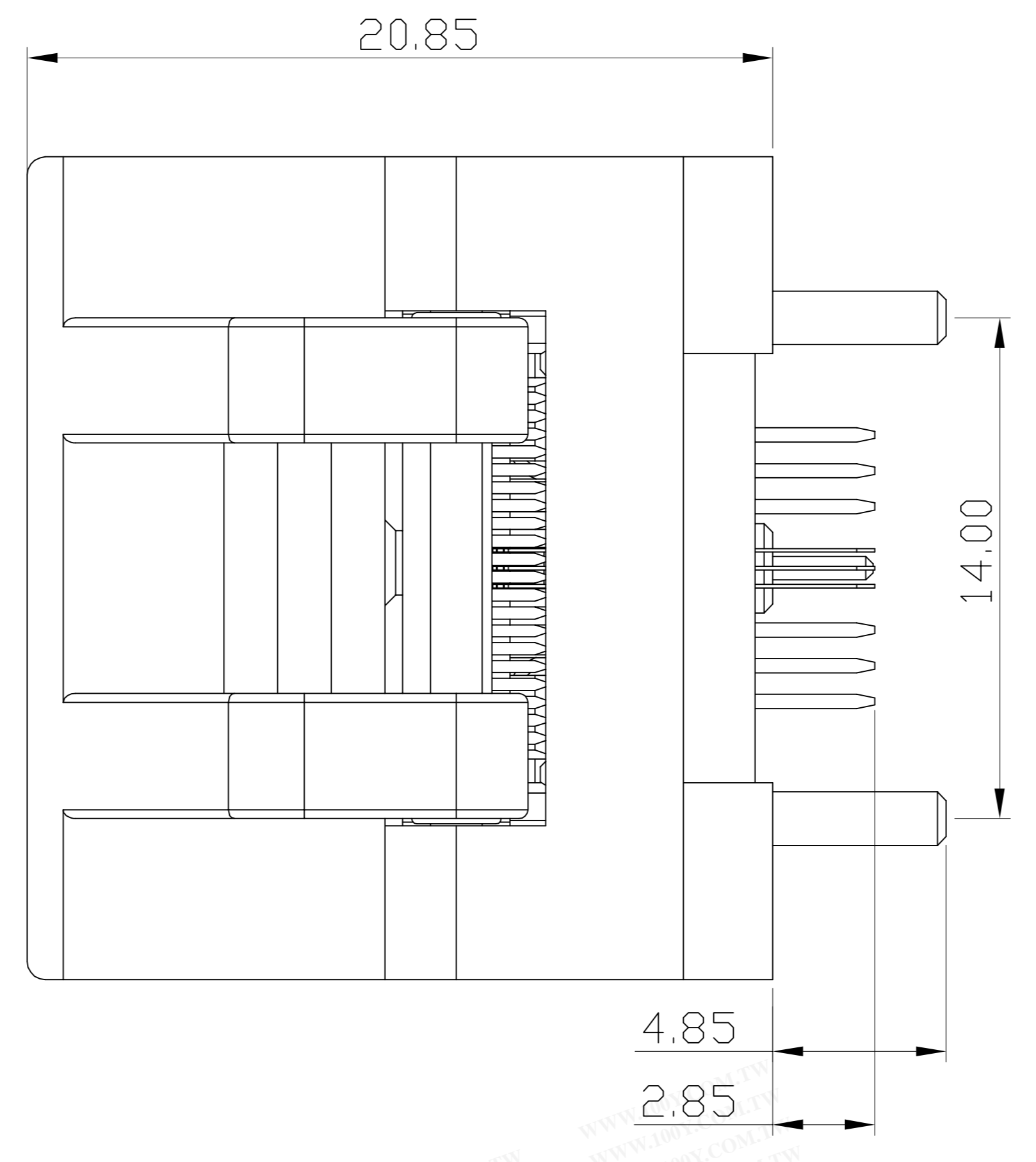
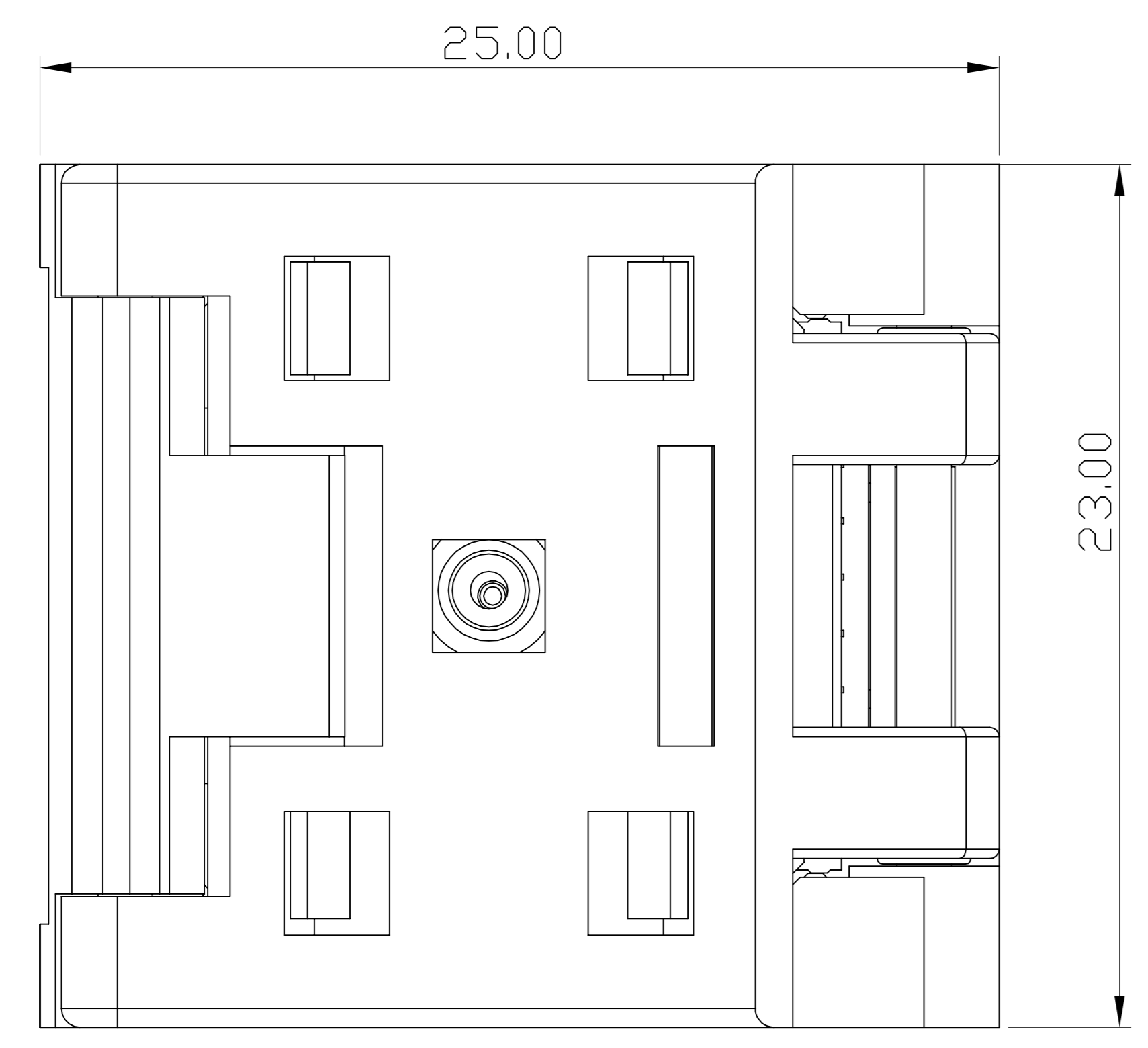


## Applicable IC

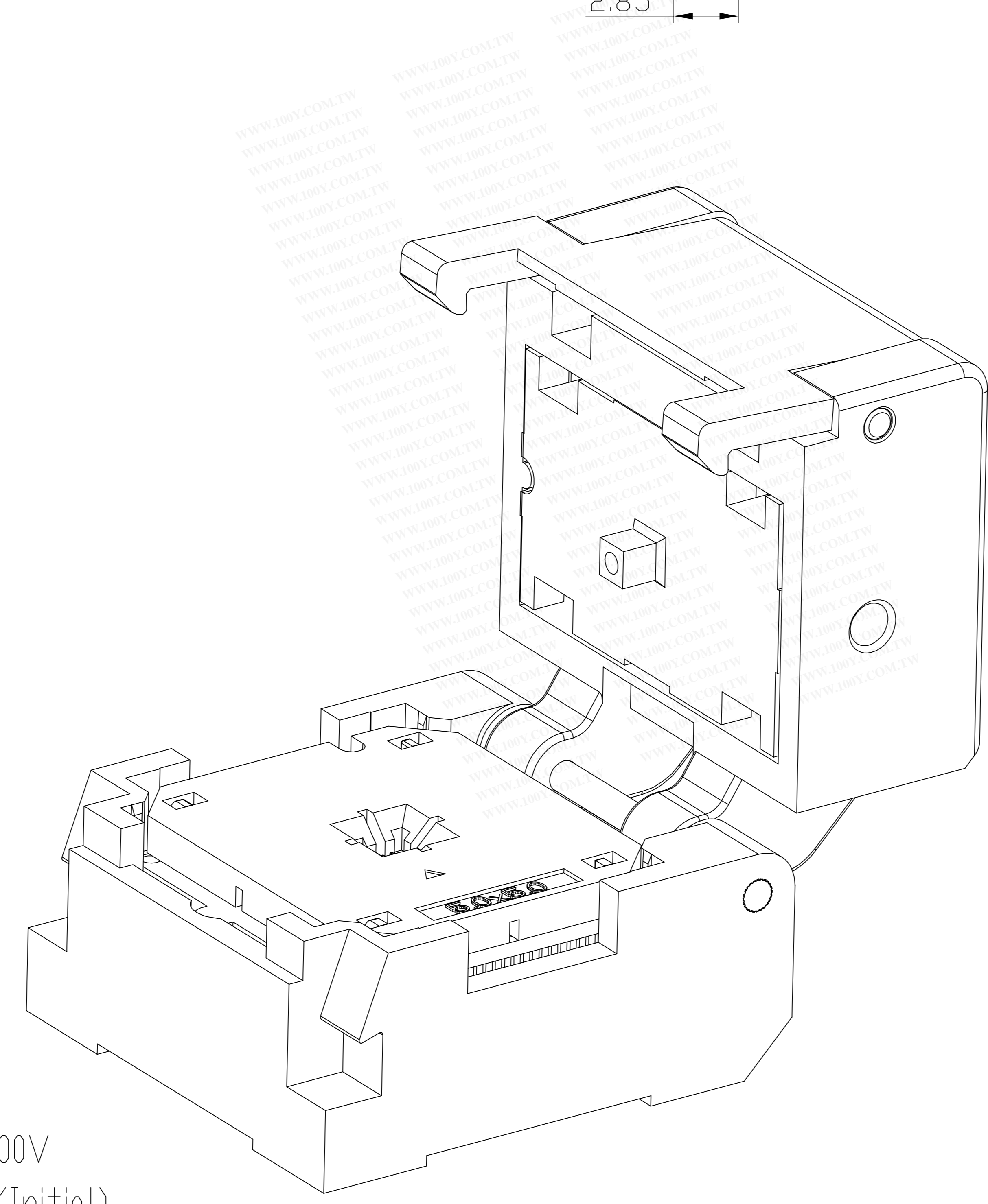
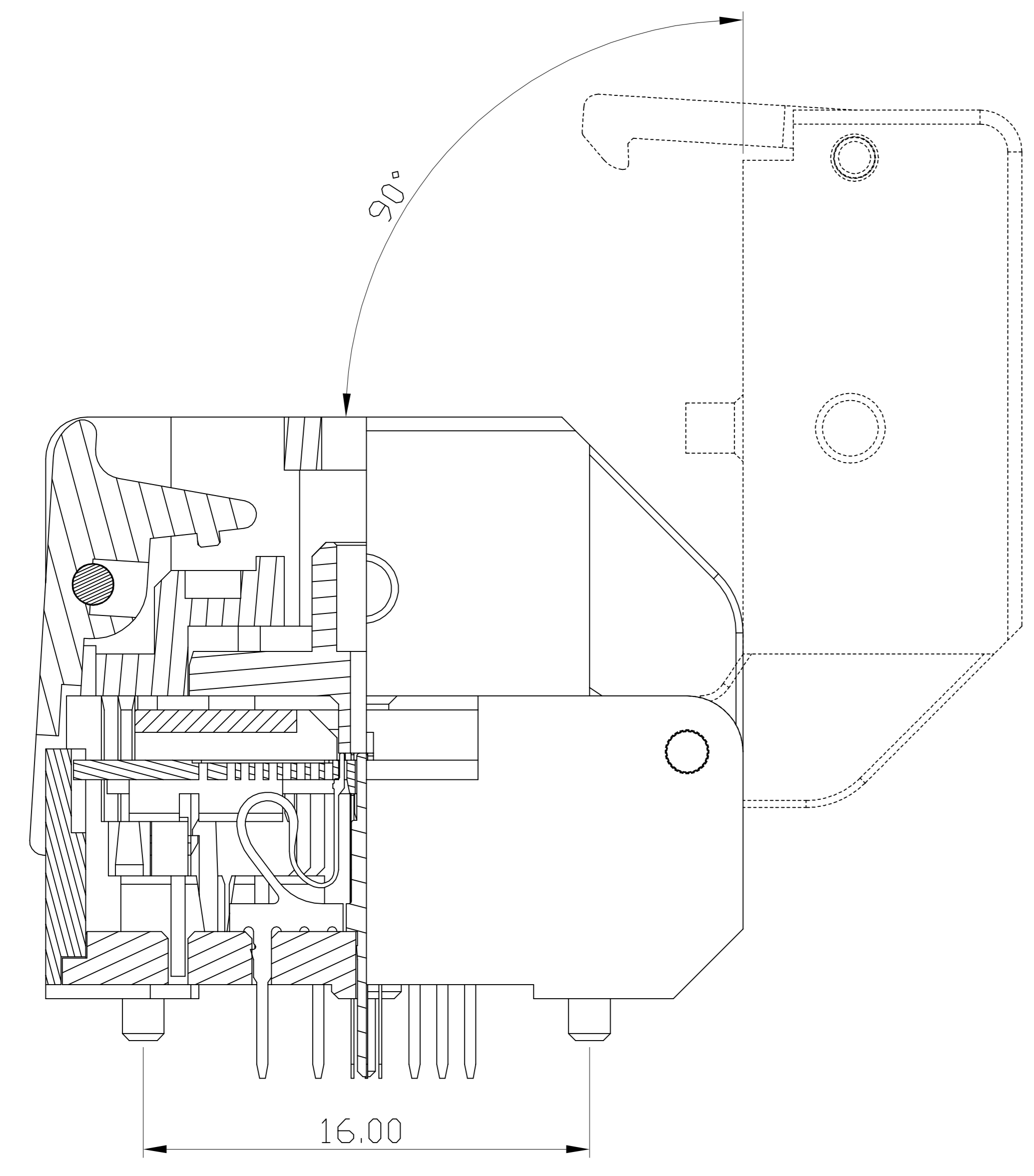
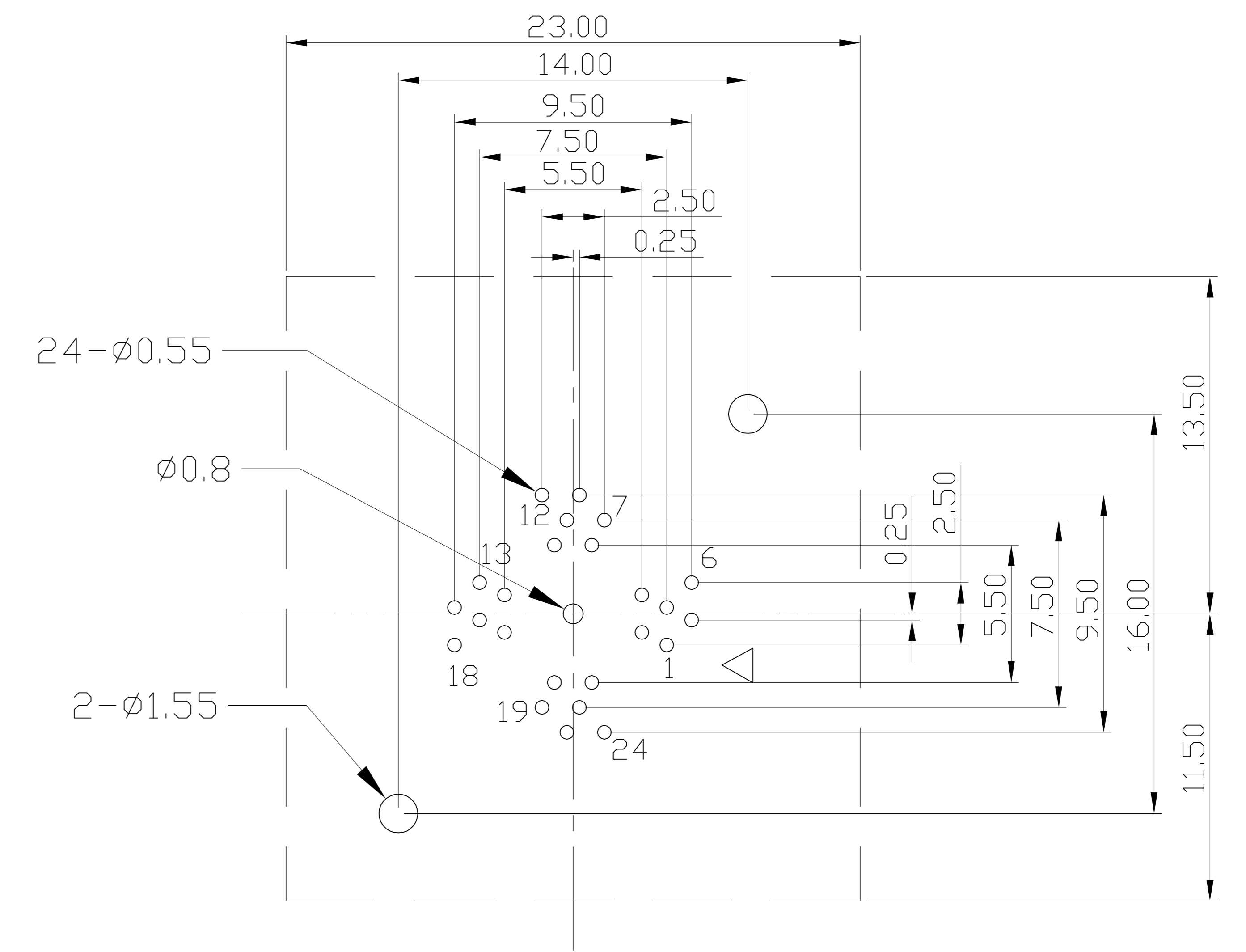


PROJECTION		GENERAL TOLERANCES	±0.10	TITLE	QFN24-0.5 SOCKET
		R E V	A	CLASS	7L-24024B-201
DIMENSION:	mm	SCALE:	1:1	DRW. NO	7L-PWQFN-0.5-24-B-01
APP:		DATE:			
CHECK:		DATE:			
DECK:		DATE:	20120822		

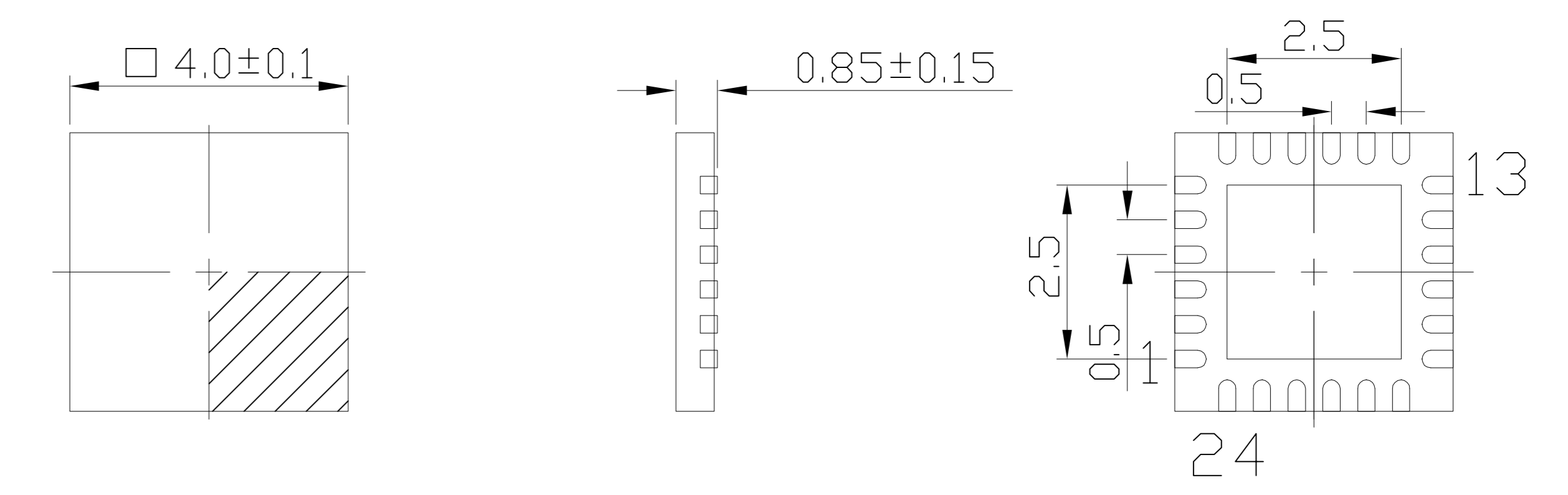
REVISION	DESCRIPTION	CHECK	APP	DATE	REV. NOTICE. NO
△ 1					
△ 2					
△ 3					



PCB Pattern(TOP View)



Applicable IC

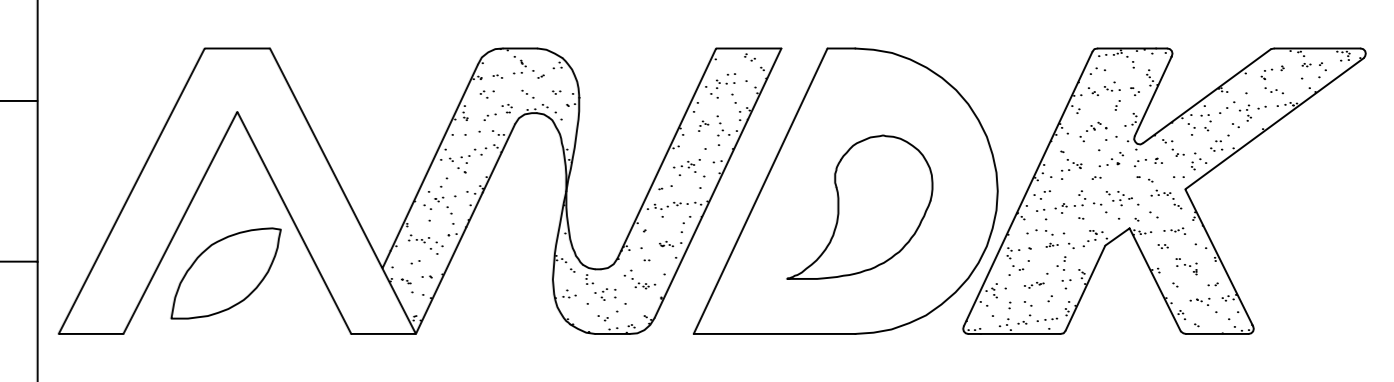


TOP VIEW SIDE VIEW BOTTOM VIEW

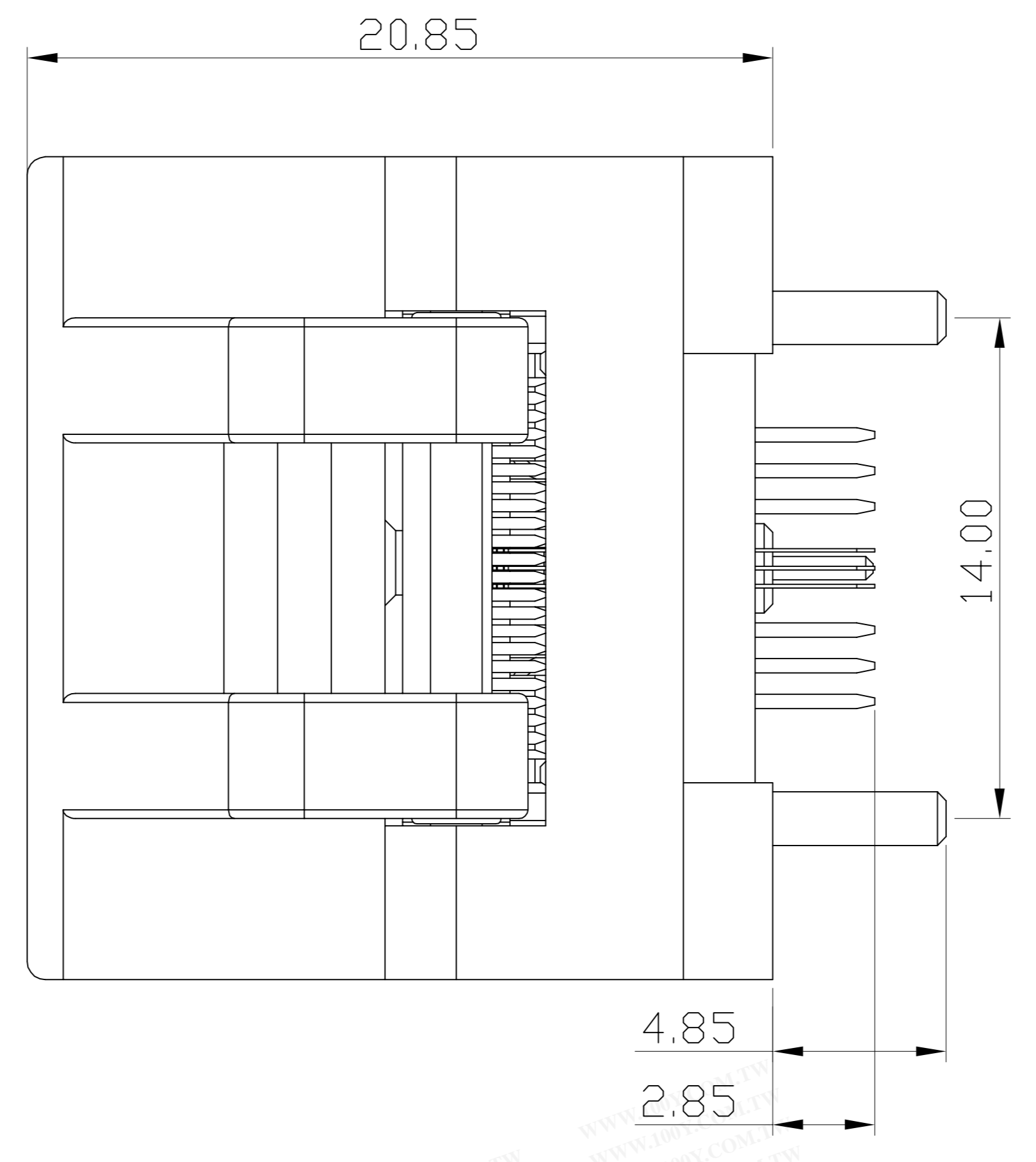
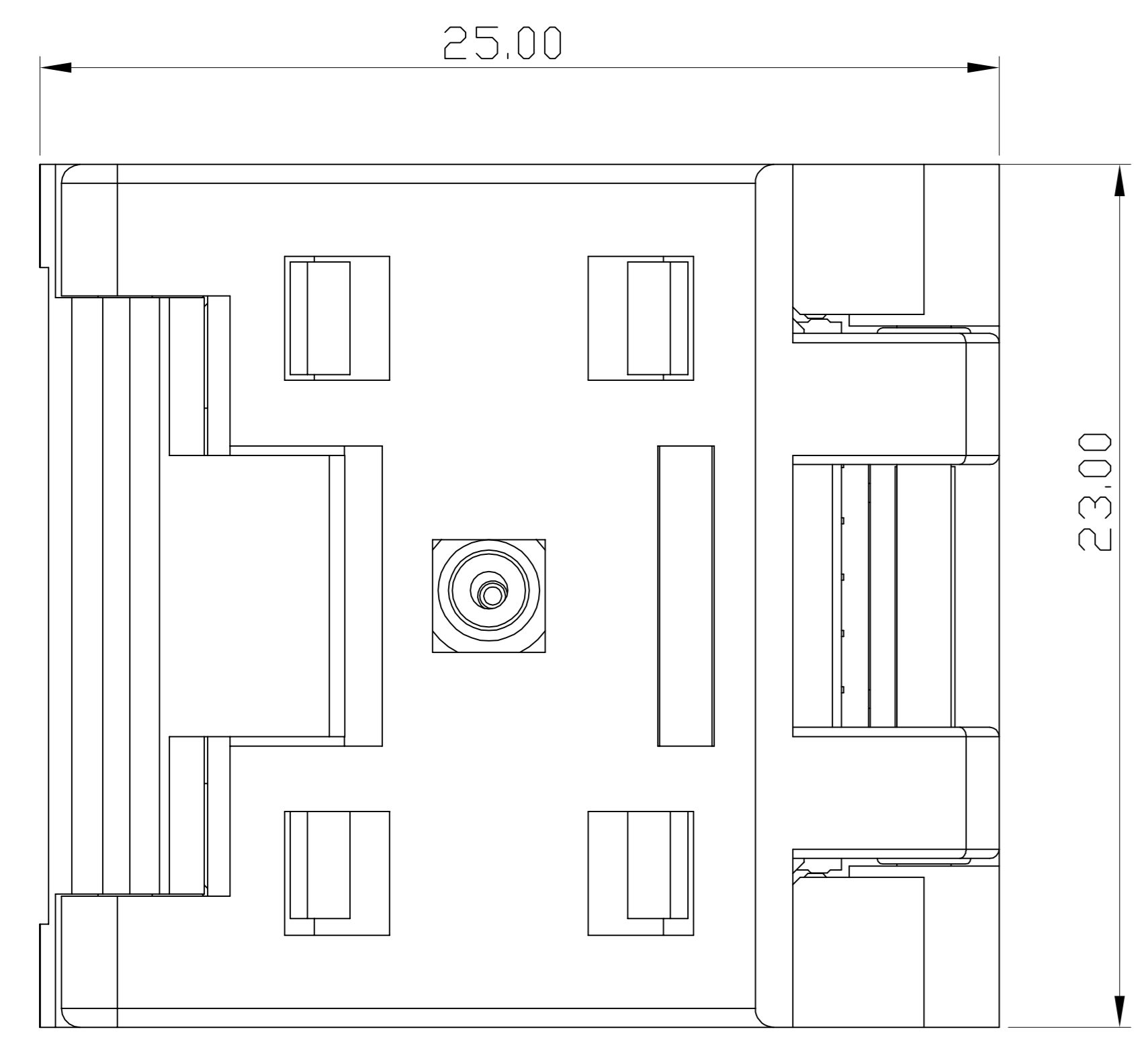
PERFORMANCE

1. Insulation Resistance: 1000M $\Omega$  Min.At DC 500V
2. Dielectric Withstanding Voltage For 1 Minute At AC 700V
3. Contact Resistance 30m $\Omega$  MAX. at 10mA and 20mV MAX.(Initial)
4. Current Rating: 1A max.
5. Operation Temperature -40°C ~+155°C
6. Life Span 15,000 Times (Mechanical)
7. Operation Force 2.0 Kg MAX

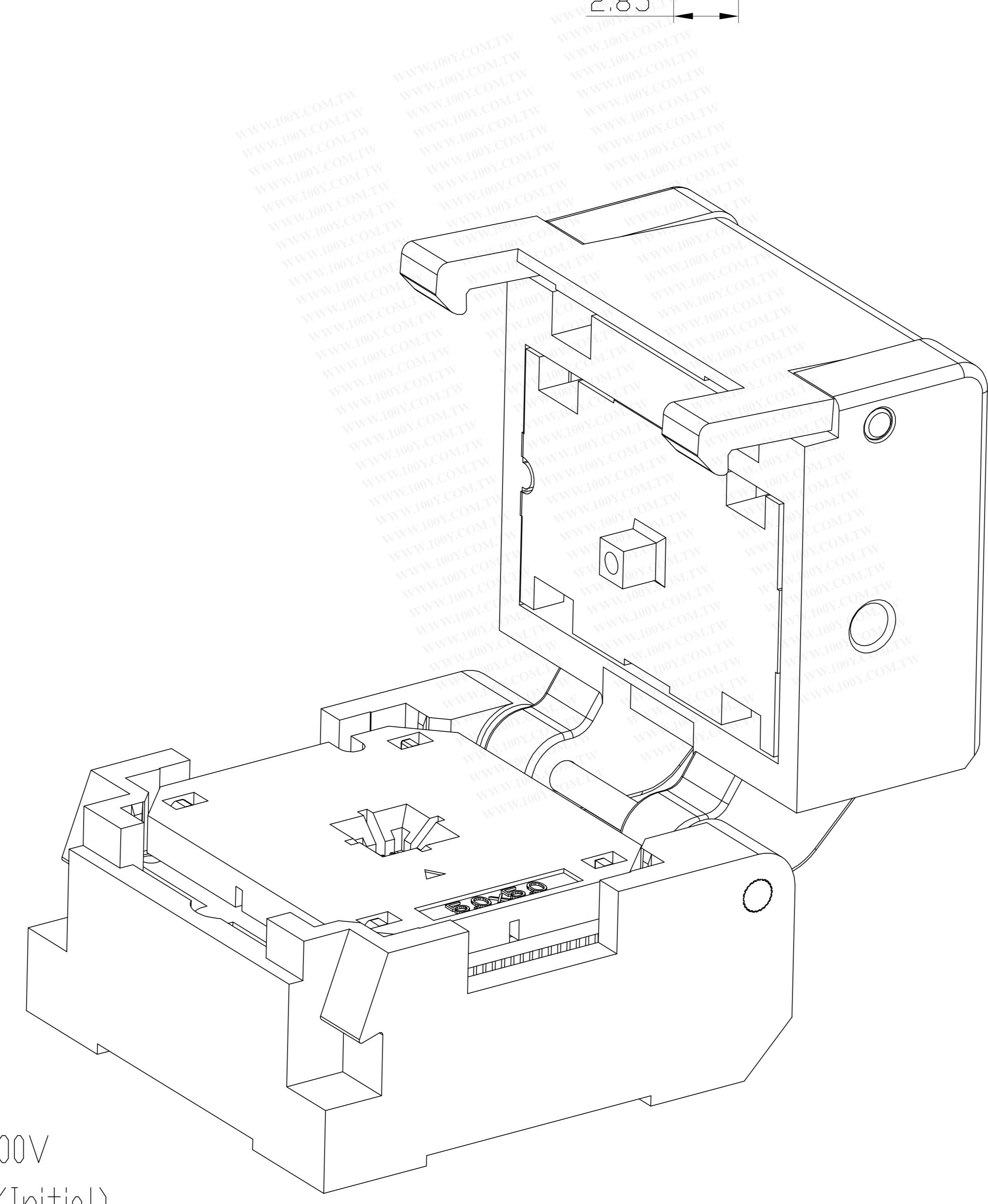
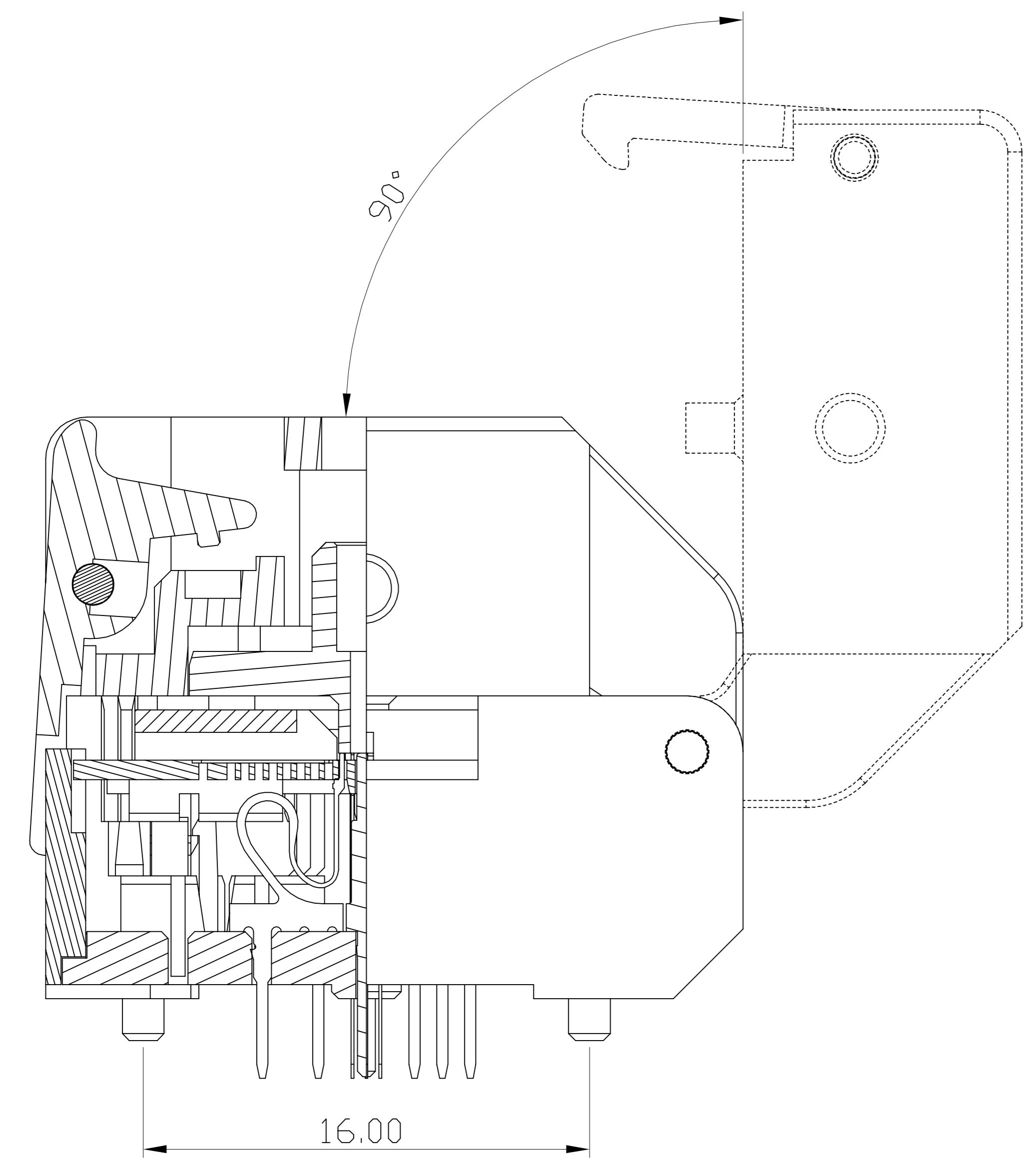
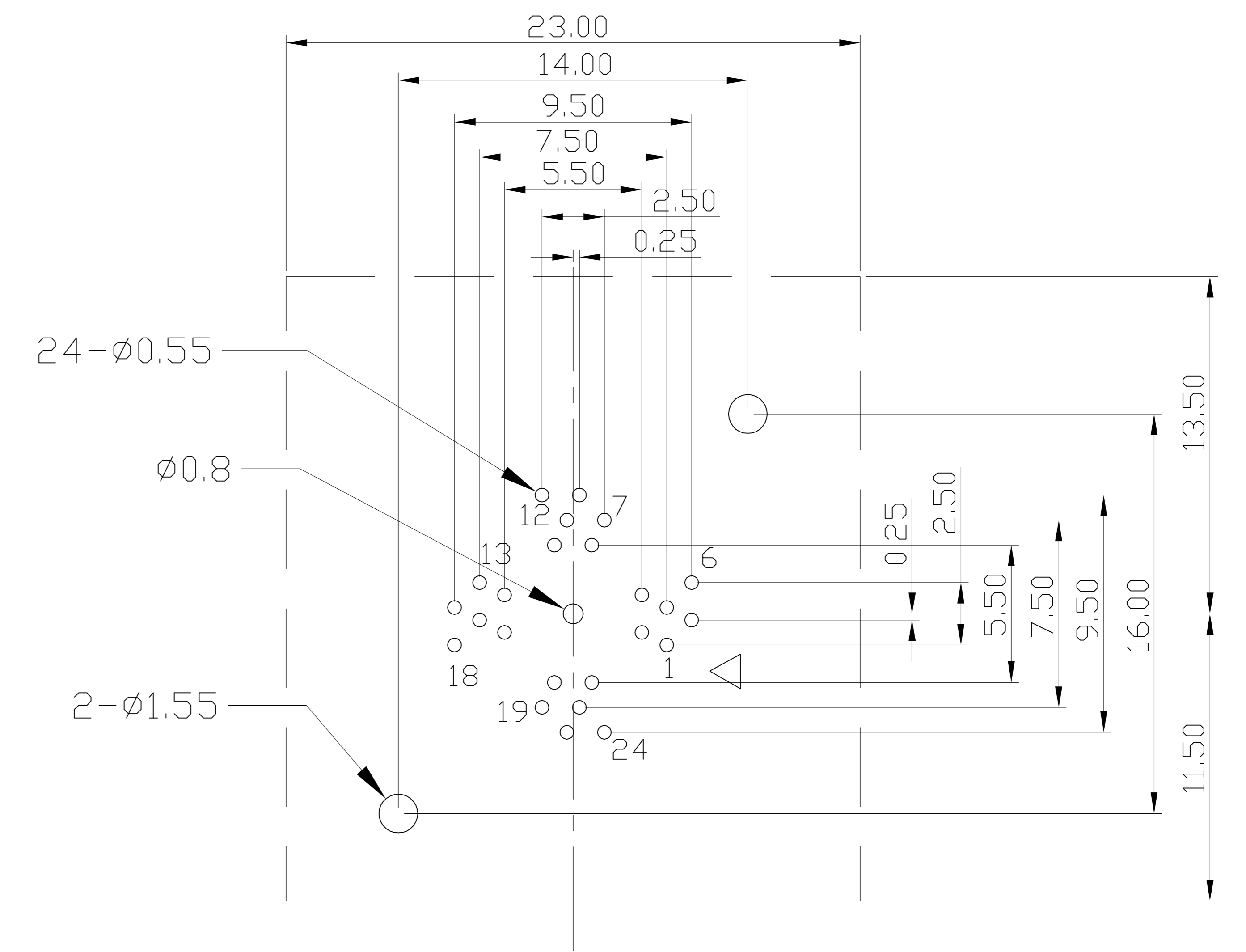
TOLERANCE	PROJECTION	GENERAL TOLERANCES	±0.10	TITLE	QFN24-0.5 SOCKET
X.	± 0.50	DIMENSION: mm	SCALE: 1:1	CLASS	QFN24-0.5-CP01GT
X.X	± 0.25	APP:	DATE:		
X.XX	± 0.10	CHECK:	DATE:		
X.XXX	± 0.05	DEGK: ENG03	DATE: 20150606		



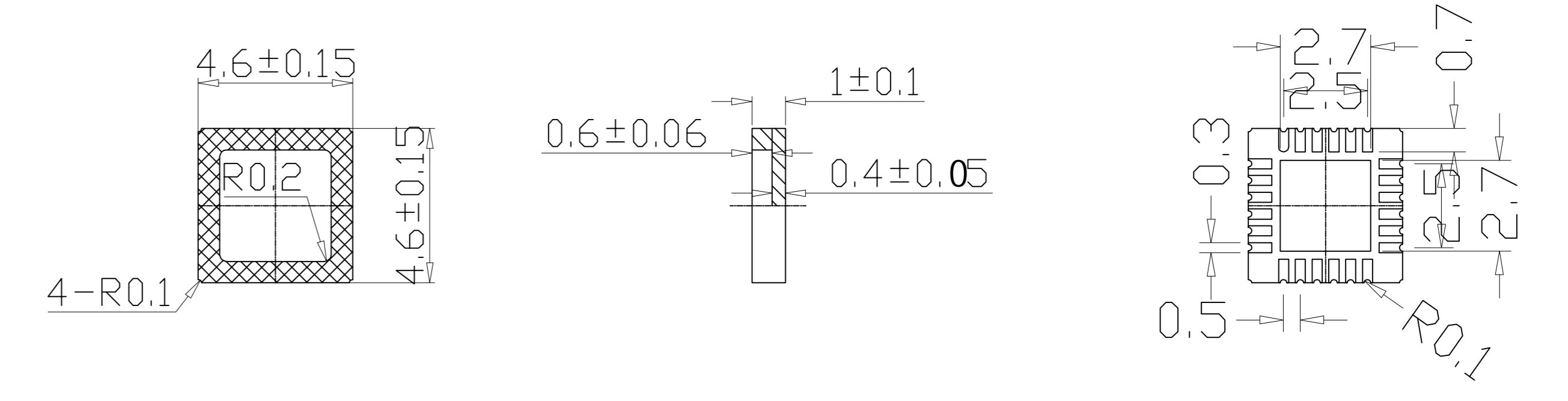
REVISION	DESCRIPTION	CHECK	APP	DATE	REV. NOTICE. NO
△ 1					
△ 2					
△ 3					



PCB Pattern(TOP View)



Applicable IC



TOP VIEW

SIDE VIEW

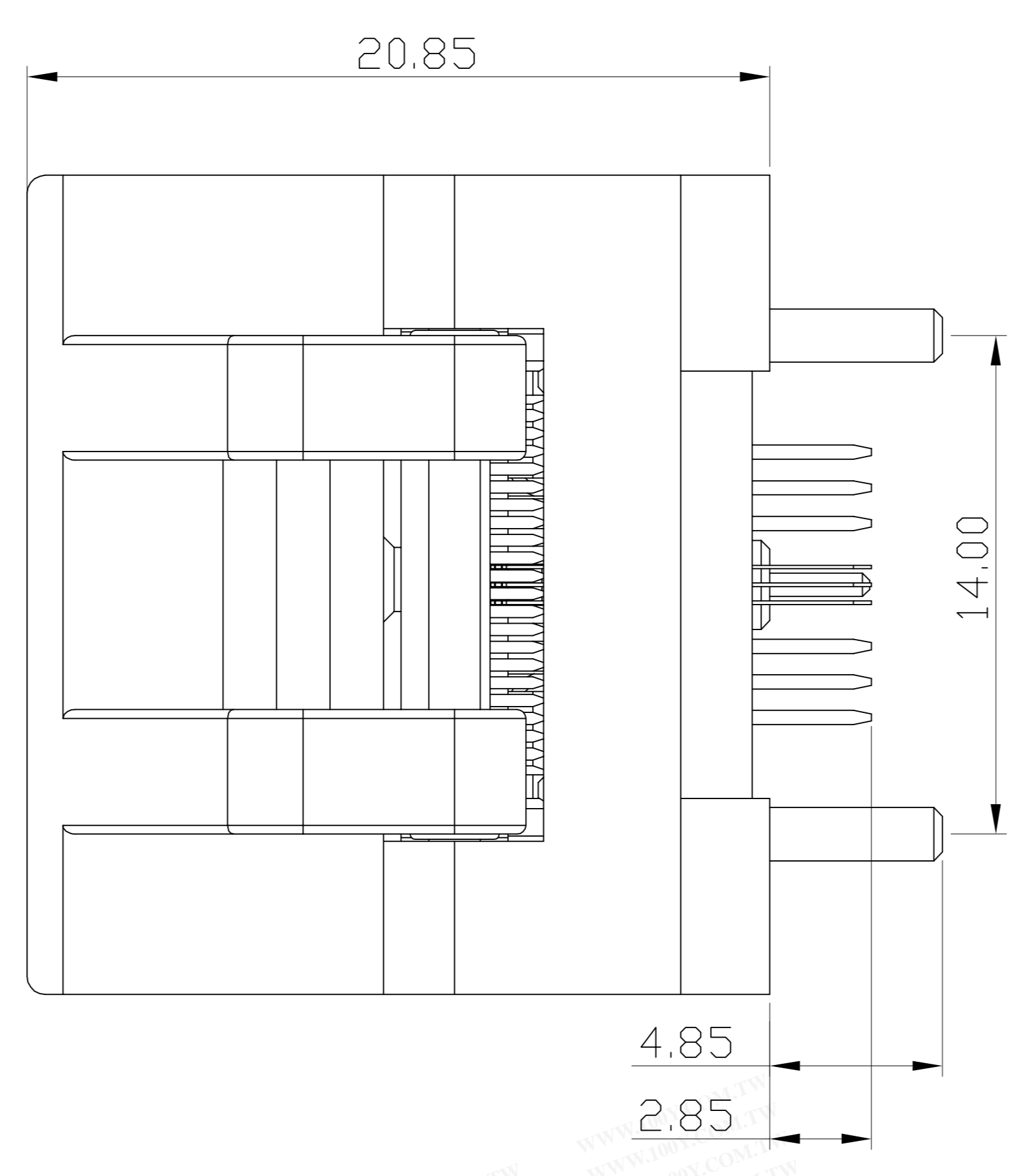
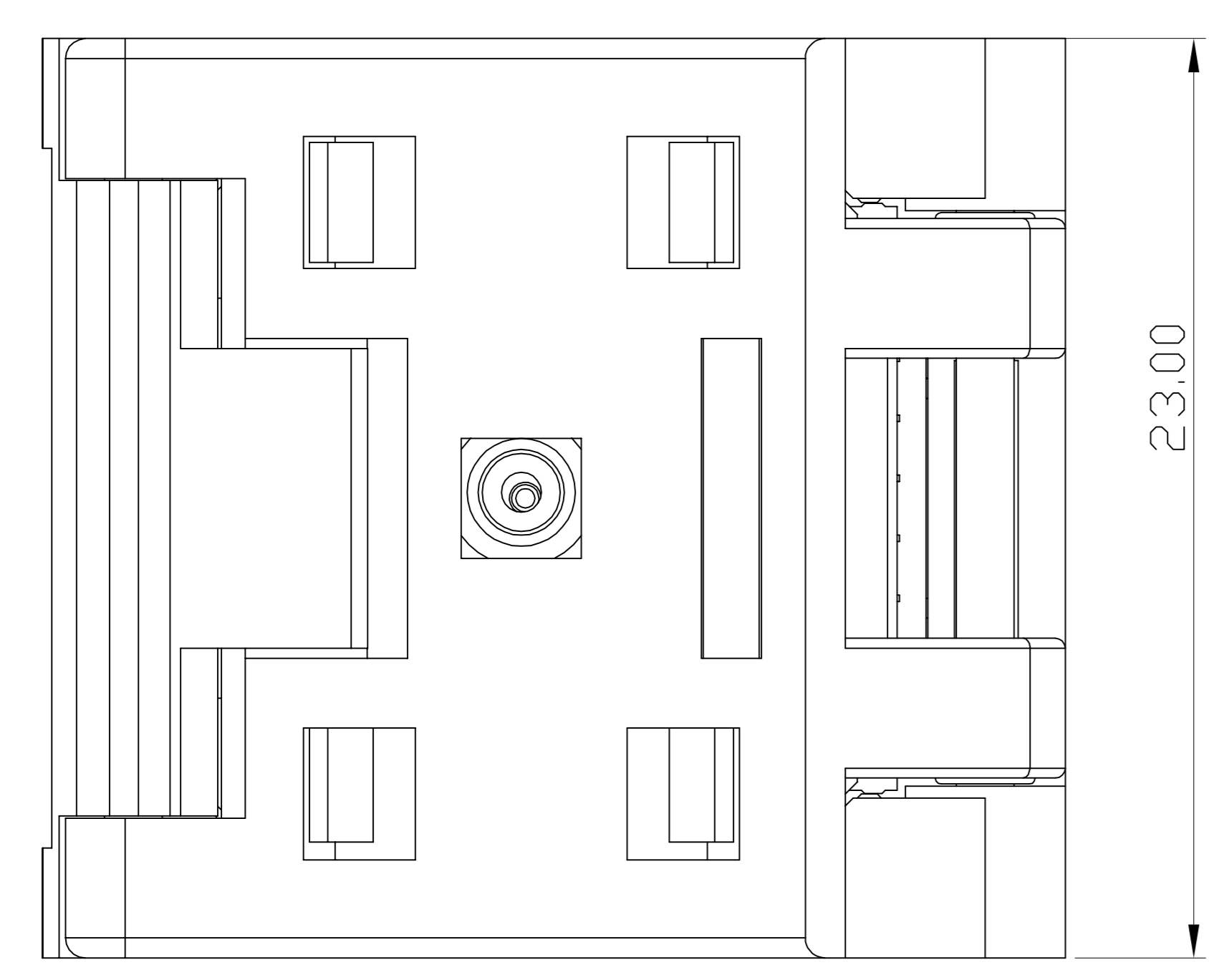
BOTTOM VIEW

PERFORMANCE

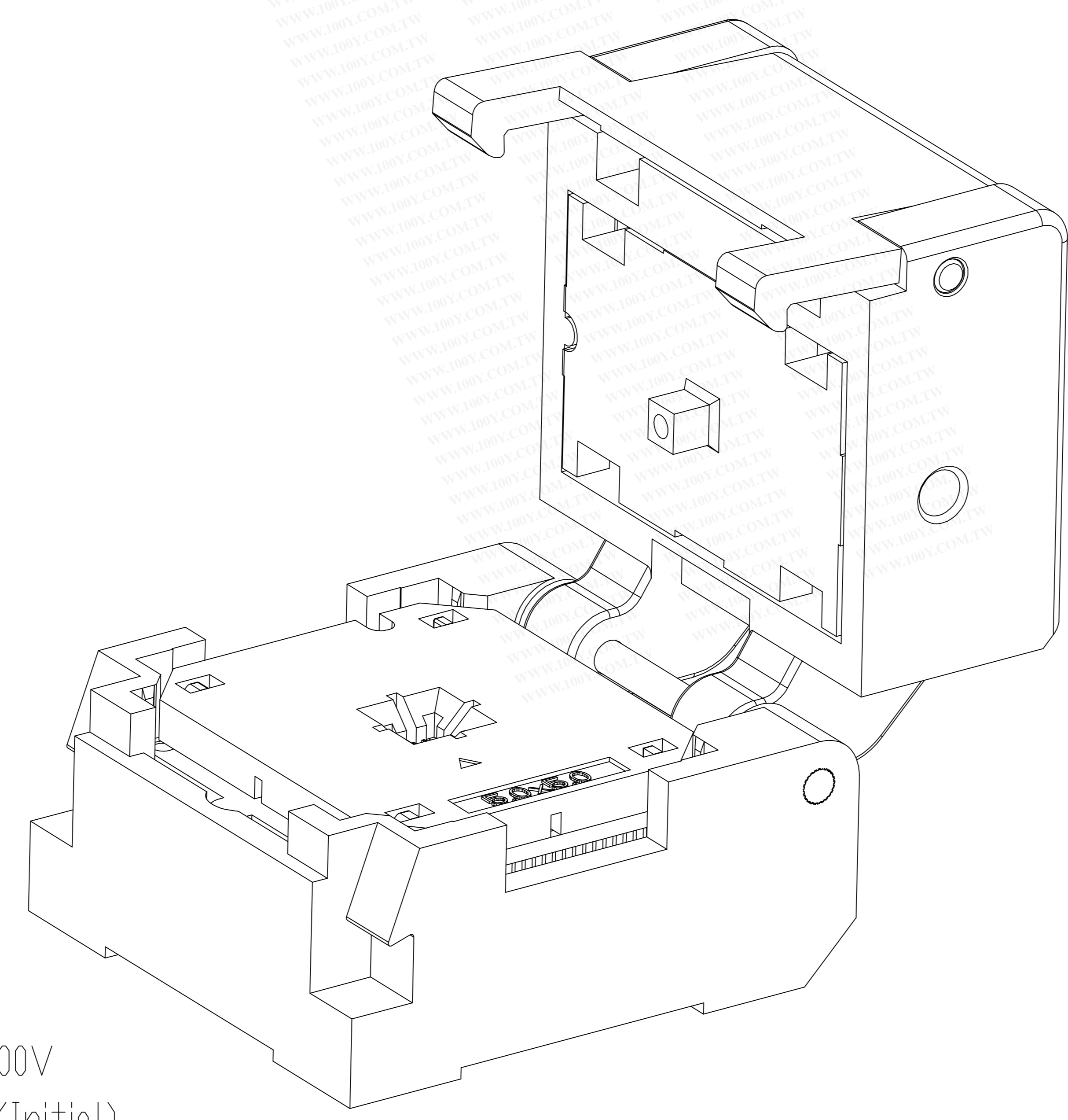
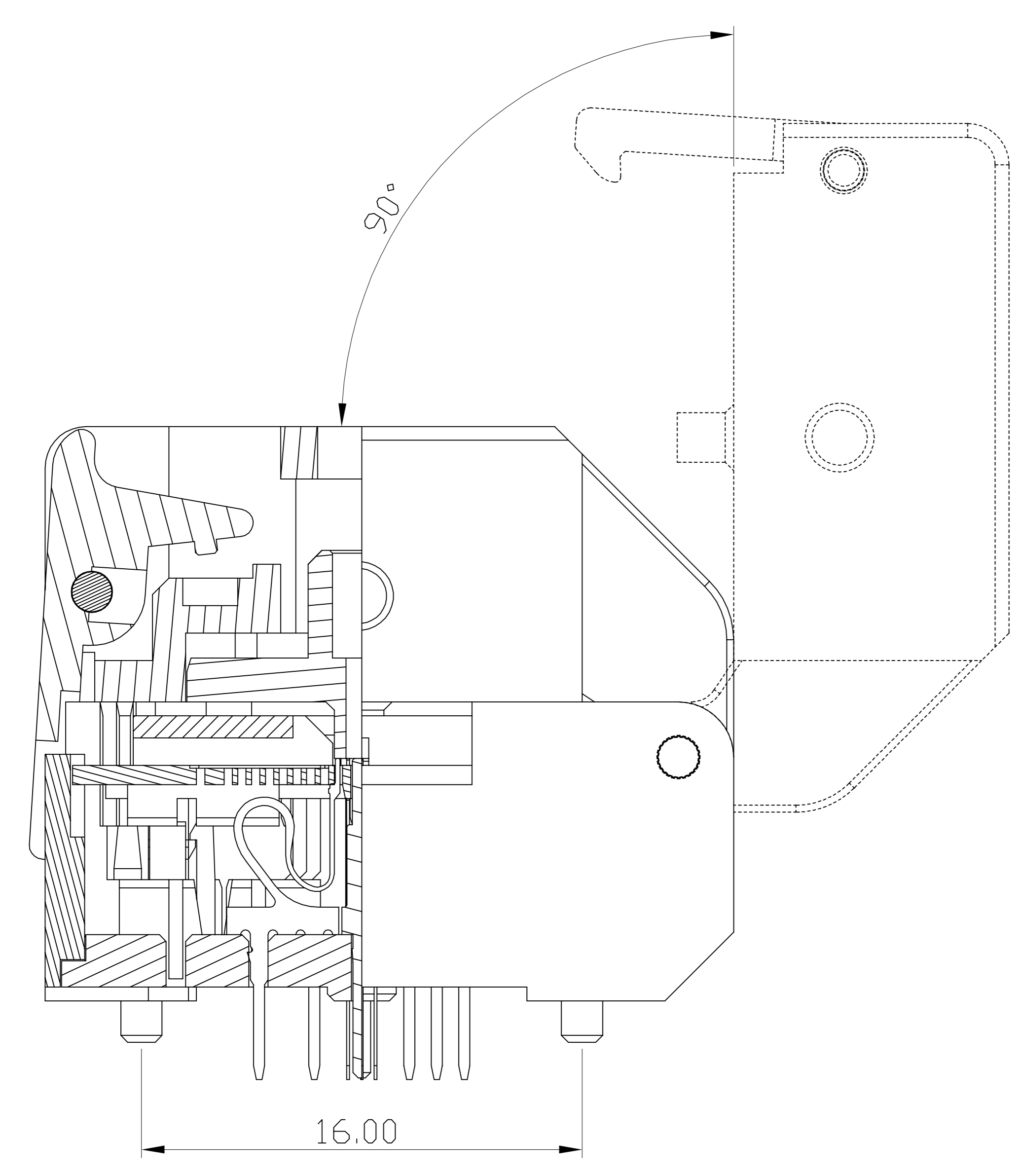
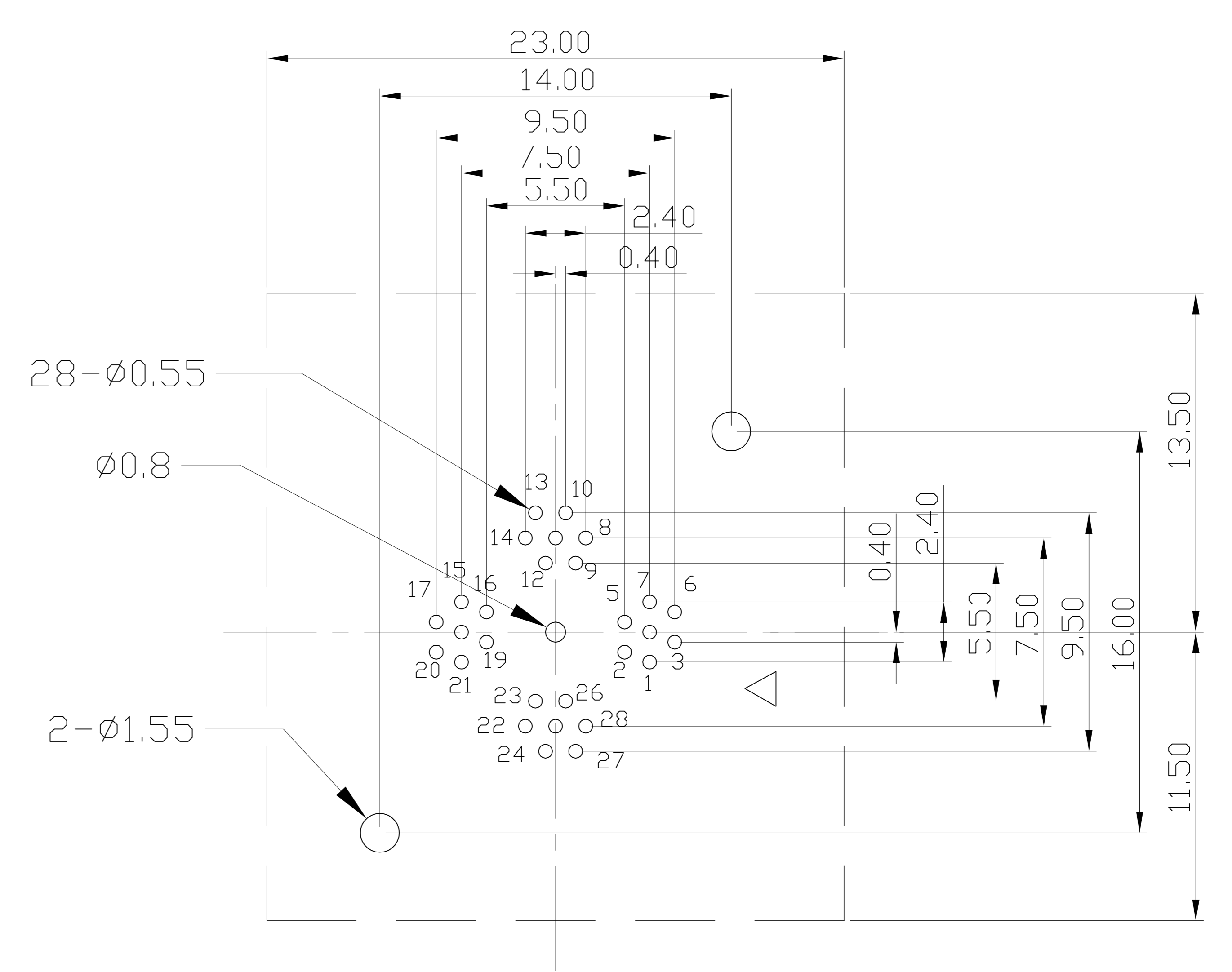
1. Insulation Resistance: 1000M $\Omega$  Min.At DC 500V
2. Dielectric Withstanding Voltage For 1 Minute At AC 700V
3. Contact Resistance 30m $\Omega$  MAX. at 10mA and 20mV MAX.(Initial)
4. Current Rating: 1A max.
5. Operation Temperature -40°C ~+155°C
6. Life Span 15,000 Times (Mechanical)
7. Operation Force 2.0 Kg MAX

TOLERANCE	PROJECTION	GENERAL TOLERANCES	±0.10	TITLE	QFN24-0.5 SOCKET
X.	± 0.50	DIMENSION: mm	SCALE: 1:1	CLASS	QFN24-0.5-CP02GT
X.X	± 0.25	APP:	DATE:		6U-PWQFN-0.5-24-4.6X4.6-02
X.XX	± 0.10	CHECK:	DATE:		
X.XXX	± 0.05	DEGK:	DATE: 20150606		

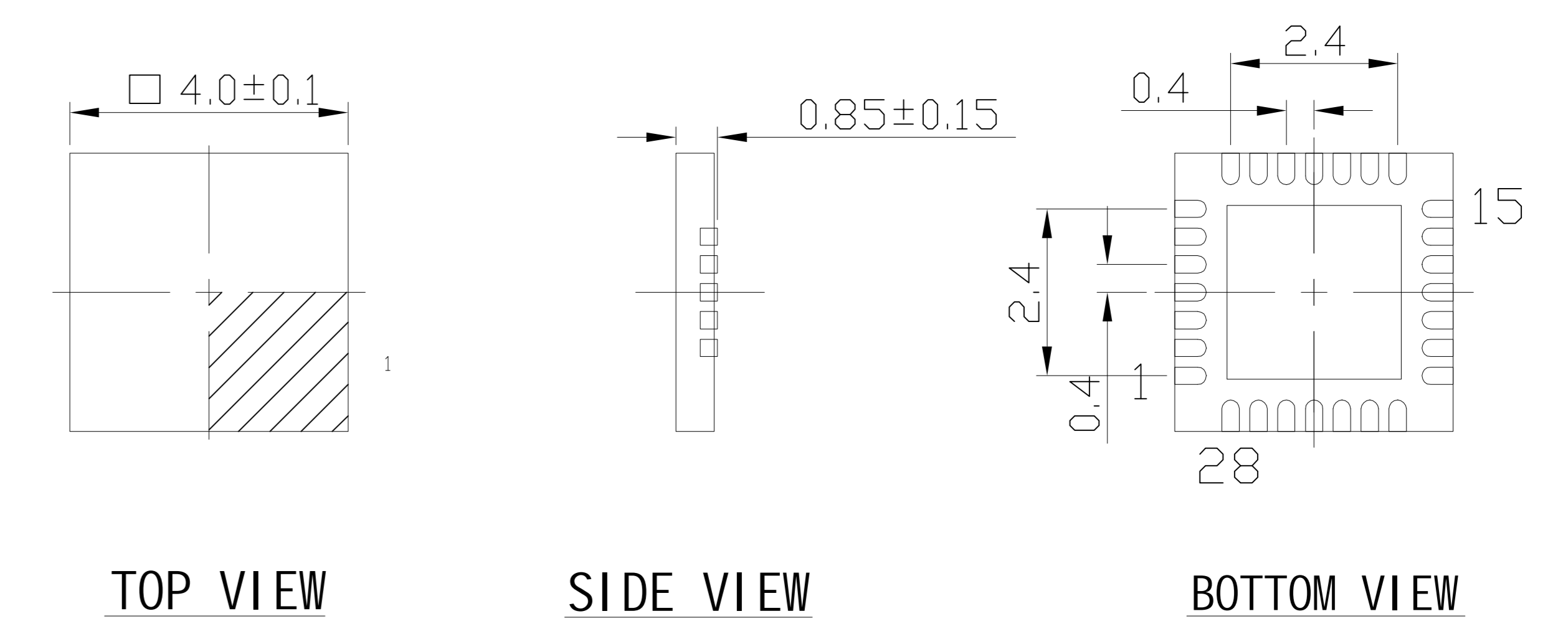
REVISION	DESCRIPTION	CHECK	APP	DATE	REV. NOTICE. NO
△ 1					
△ 2					
△ 3					



PCB Pattern(TOP View)



Applicable IC



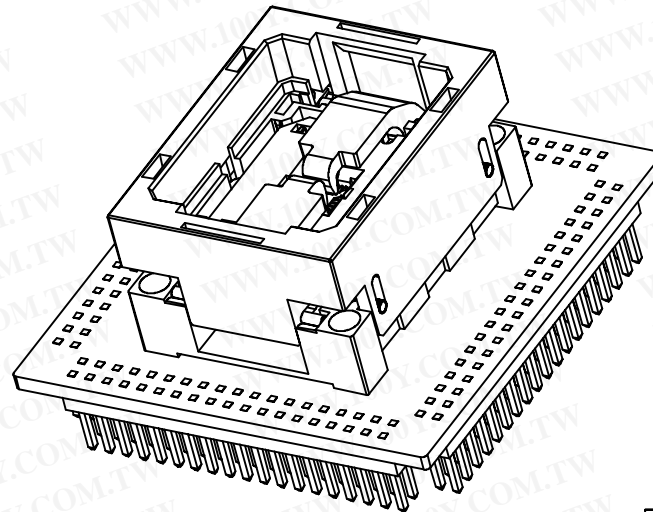
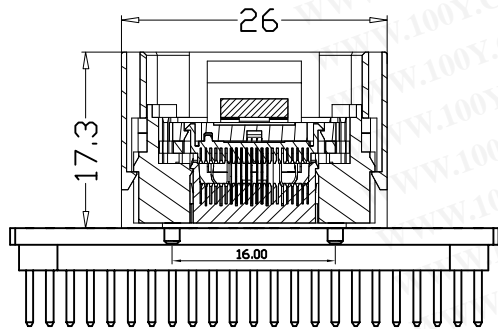
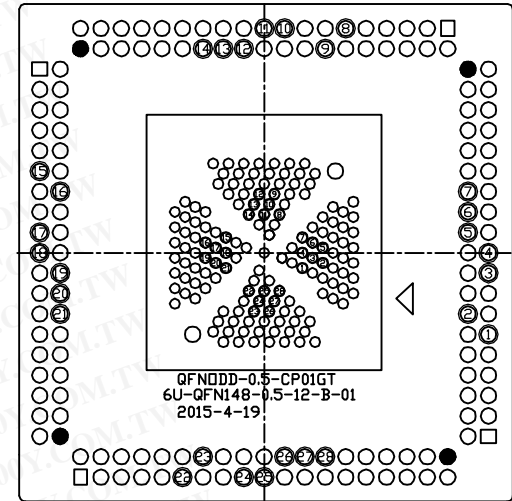
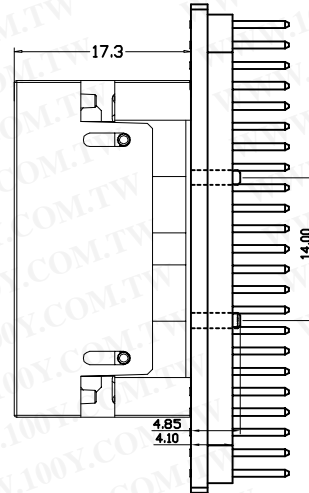
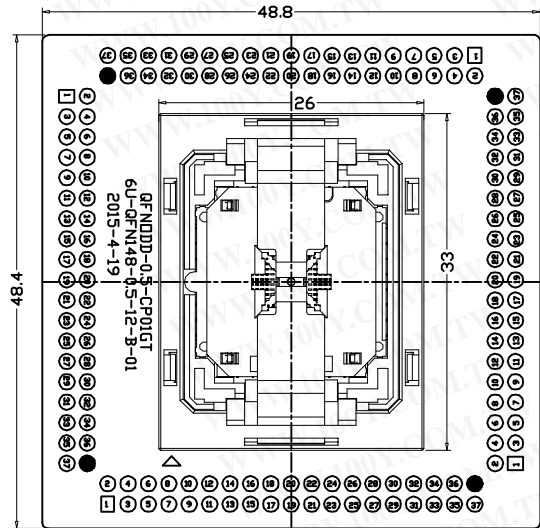
PERFORMANCE

1. Insulation Resistance: 1000M $\Omega$  Min.At DC 500V
2. Dielectric Withstanding Voltage For 1 Minute At AC 700V
3. Contact Resistance 30m $\Omega$  MAX. at 10mA and 20mV MAX.(Initial)
4. Current Rating: 1A max.
5. Operation Temperature -55°C ~+175°C
6. Life Span 15,000 Times (Mechanical)
7. Operation Force 2.0 Kg MAX

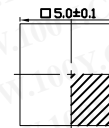
TOLERANCE	PROJECTION	GENERAL TOLERANCES	±0.10	TITLE	QFN28-0.4 SOCKET
X.	± 0.50	DIMENSION: mm	SCALE: 1:1	CLASS	QFN28-0.4-CP01GT
X.X	± 0.25	APP:	DATE:	DRW. NO	6U-PWQFN-0.4-28-4X4-01
X.XX	± 0.10	CHECK:	DATE:		
X.XXX	± 0.05	DEGK: ENG03	DATE: 20150606		

REVISION	DESCRIPTION	CHECK	APP	DATE	REV. NOTICE. NO
1					
2					
3					

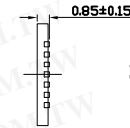
# QFN 奇数万能转接板连线图



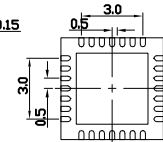
## Applicable IC



TOP VIEW



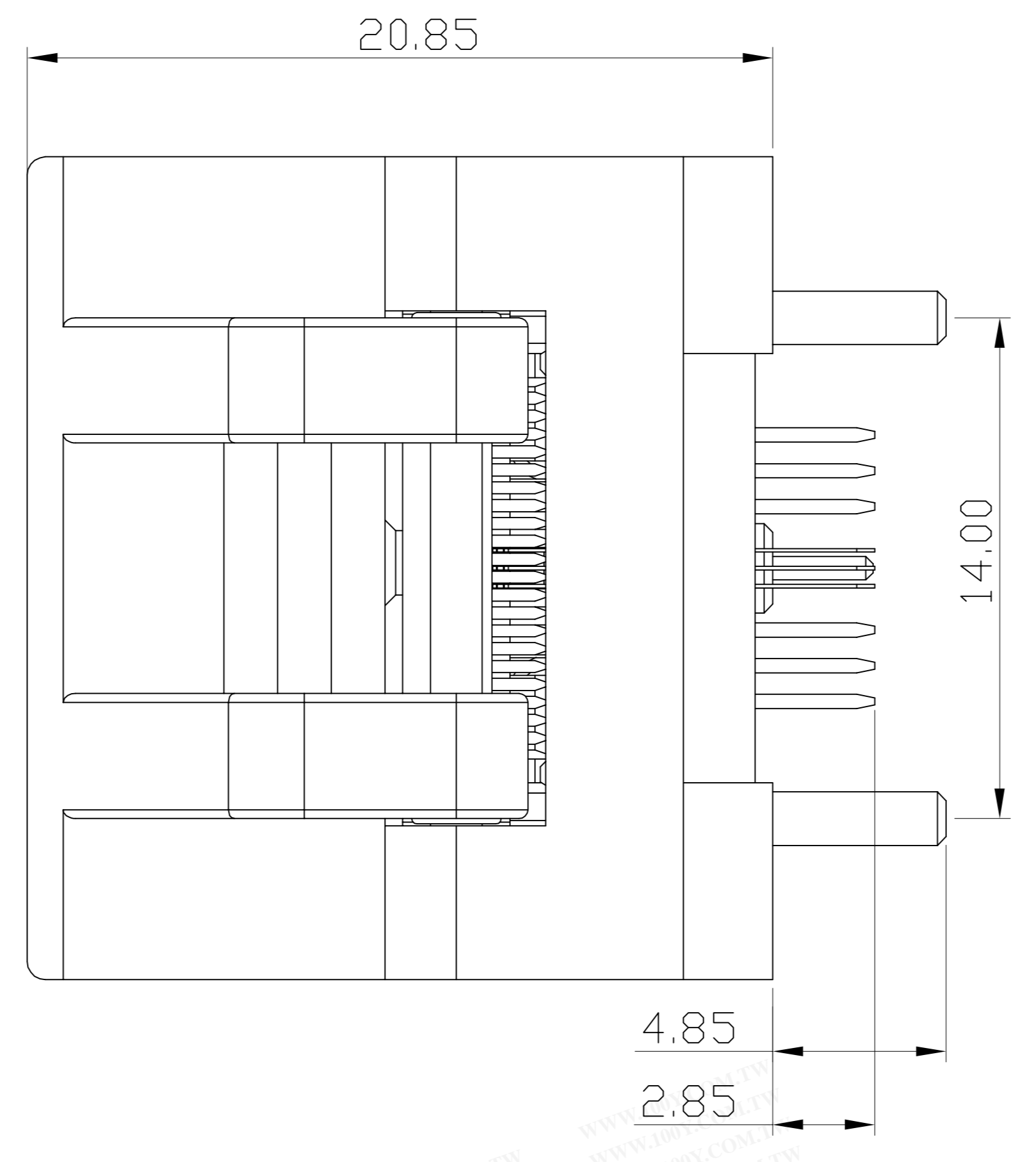
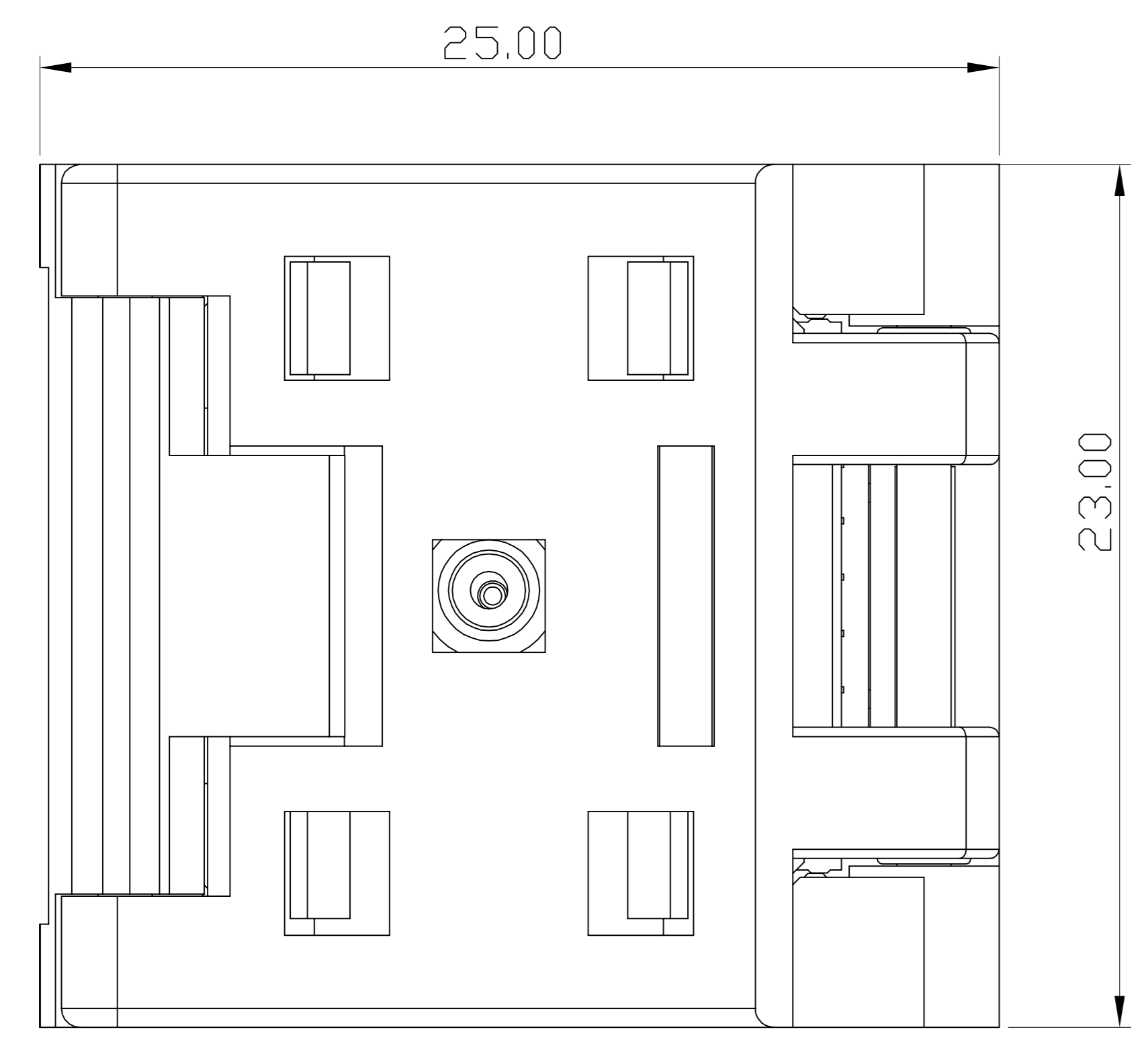
SIDE VIEW



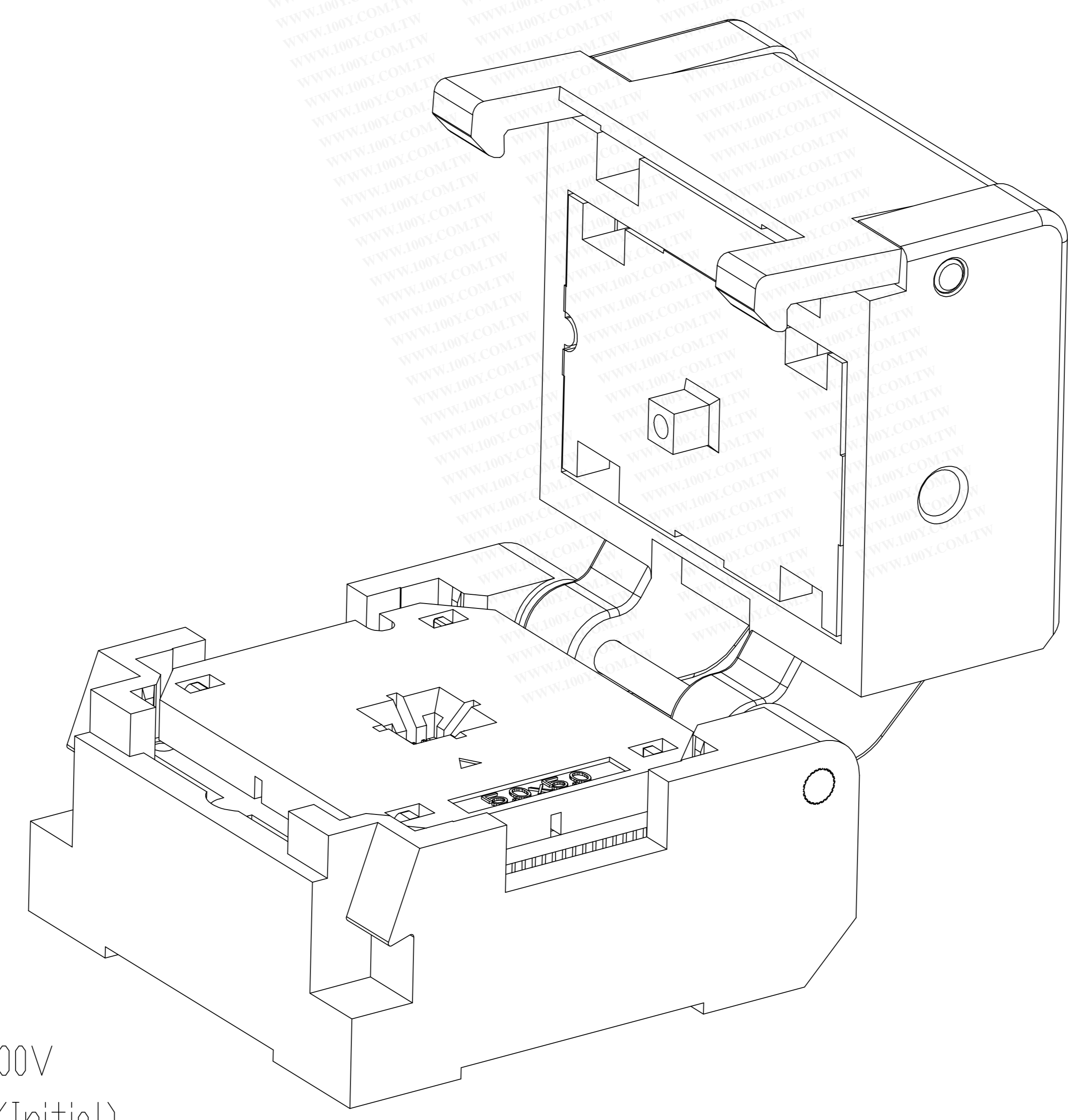
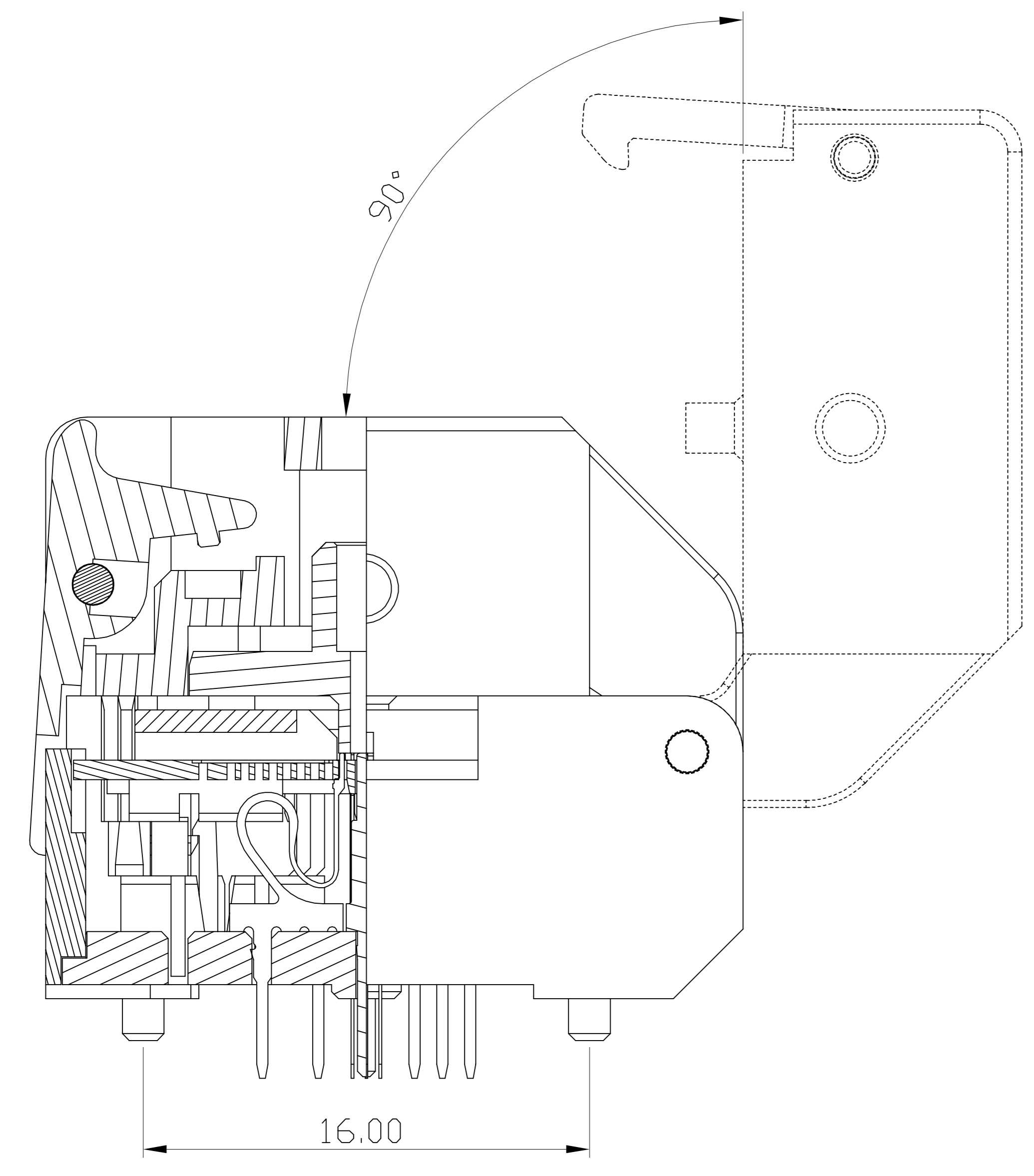
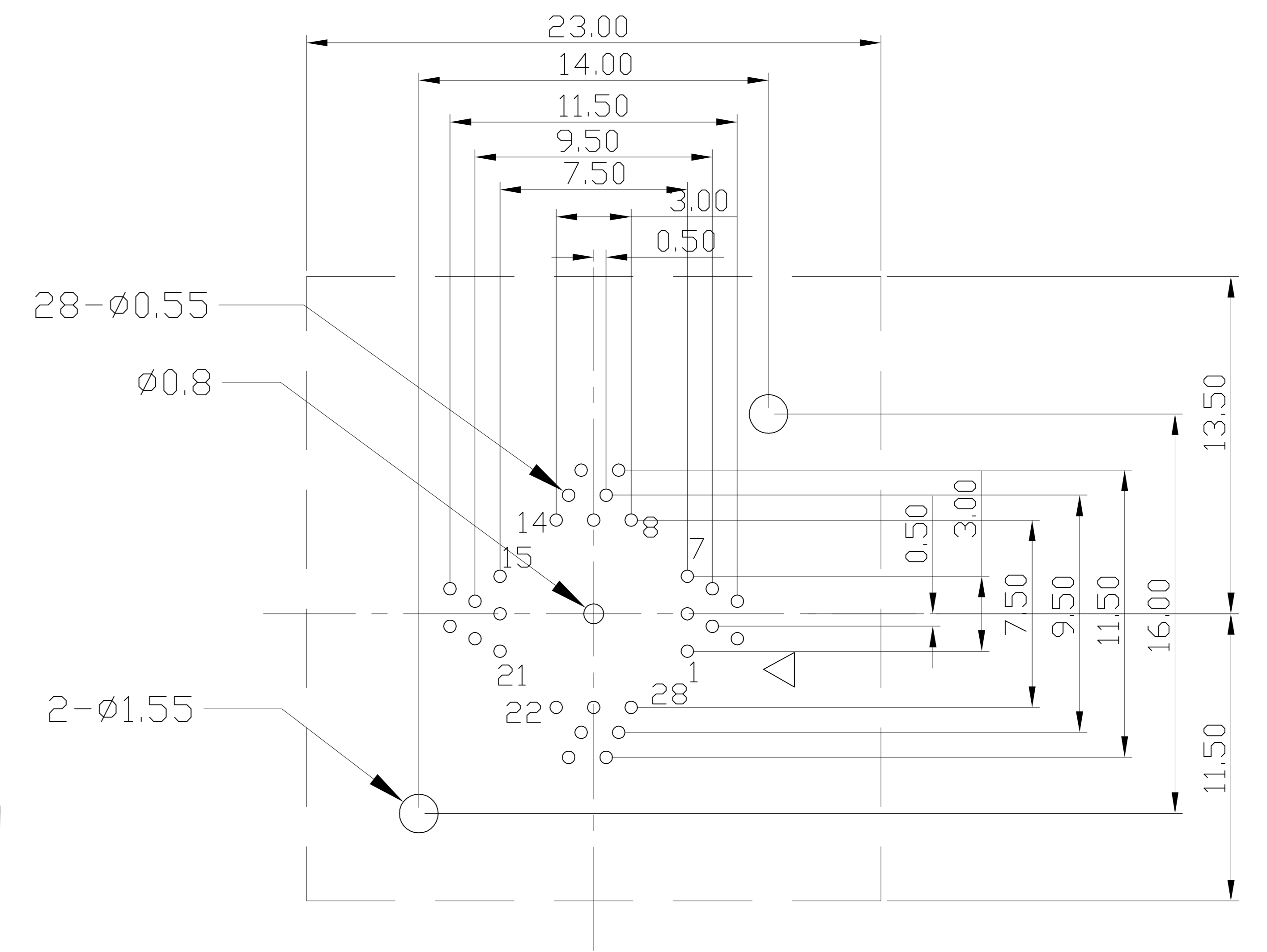
BOTTOM VIEW

PROJECTION		GENERAL TOLERANCES	±0.10	TITLE	QFN28-0.5 SOCKET
		R E V	A	CLASS	7L-24028B-101
DIMENSION:	mm	SCALE:	1:1	DRW. NO	7L-PWQFN-0.5-28-B-01
APP:		DATE:			
CHECK:		DATE:			
DECK:		DATE:	20120822		

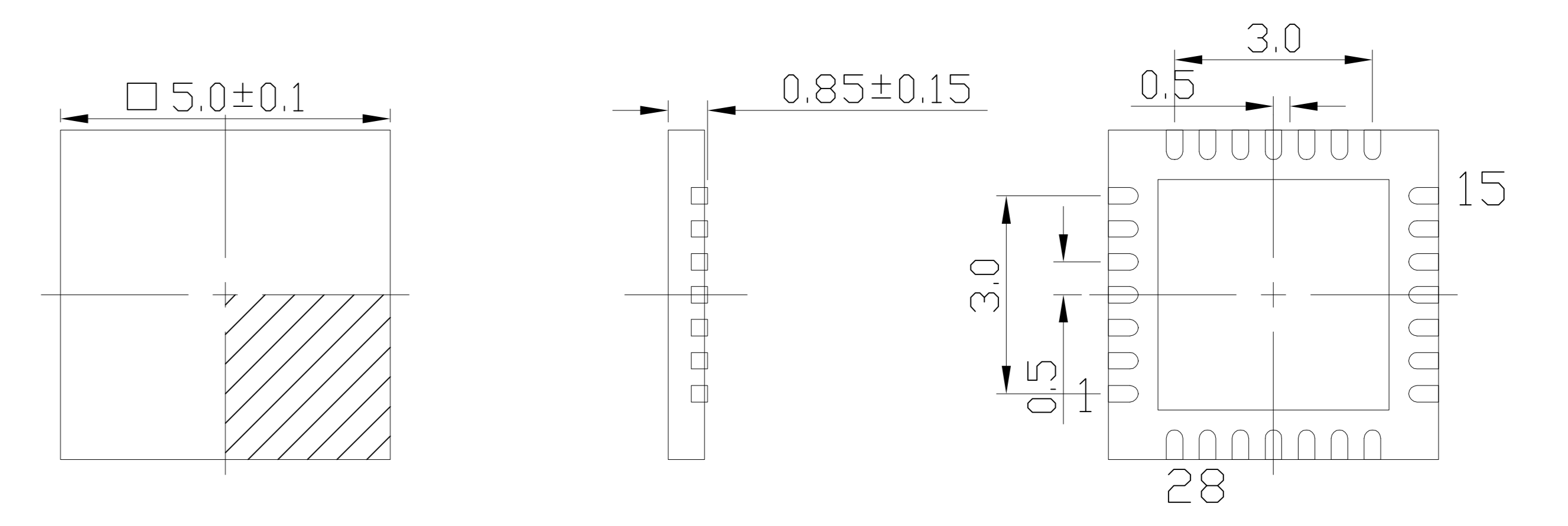
REVISION	DESCRIPTION	CHECK	APP	DATE	REV. NOTICE. NO
△ 1					
△ 2					
△ 3					



PCB Pattern(TOP View)



Applicable IC



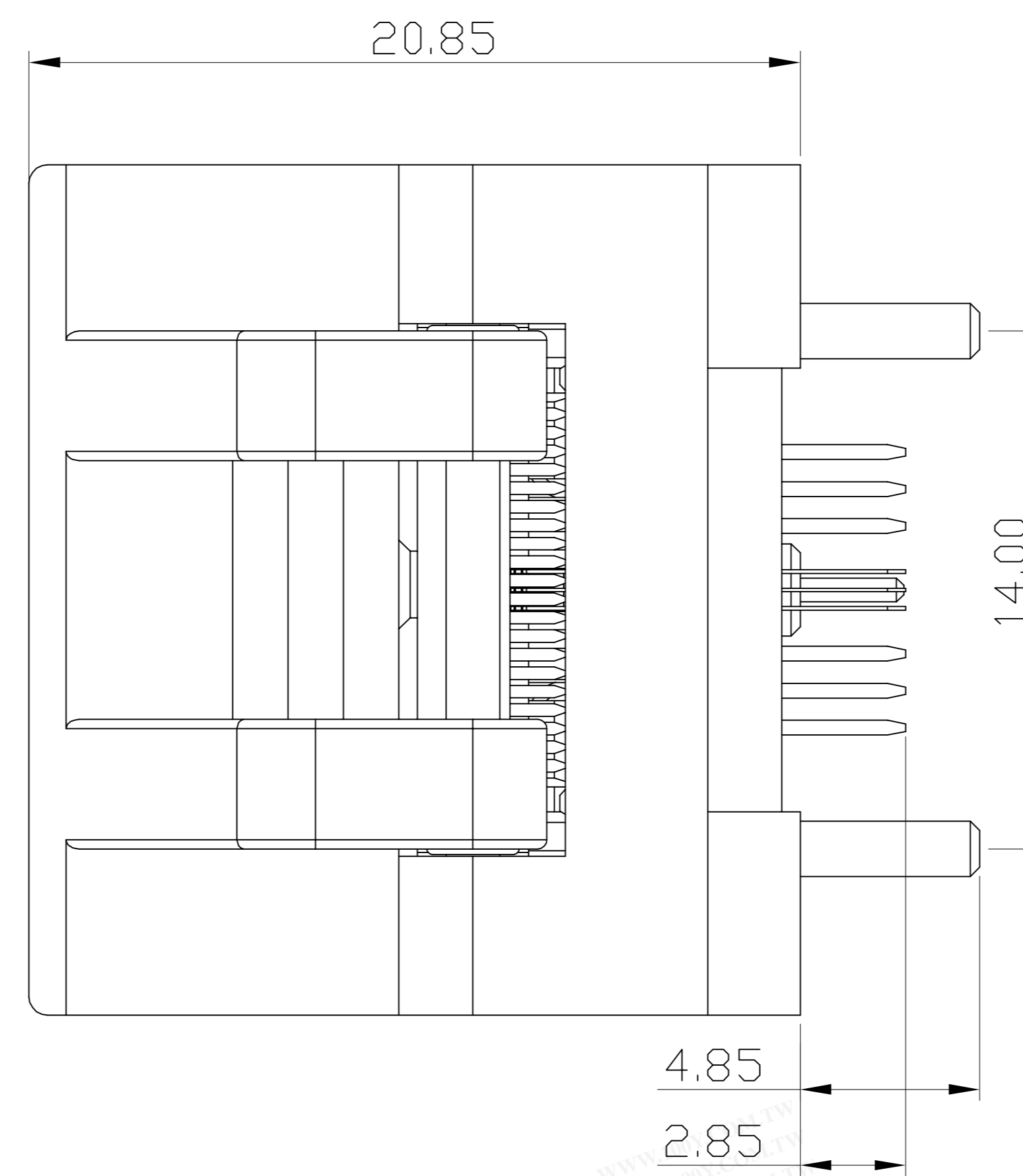
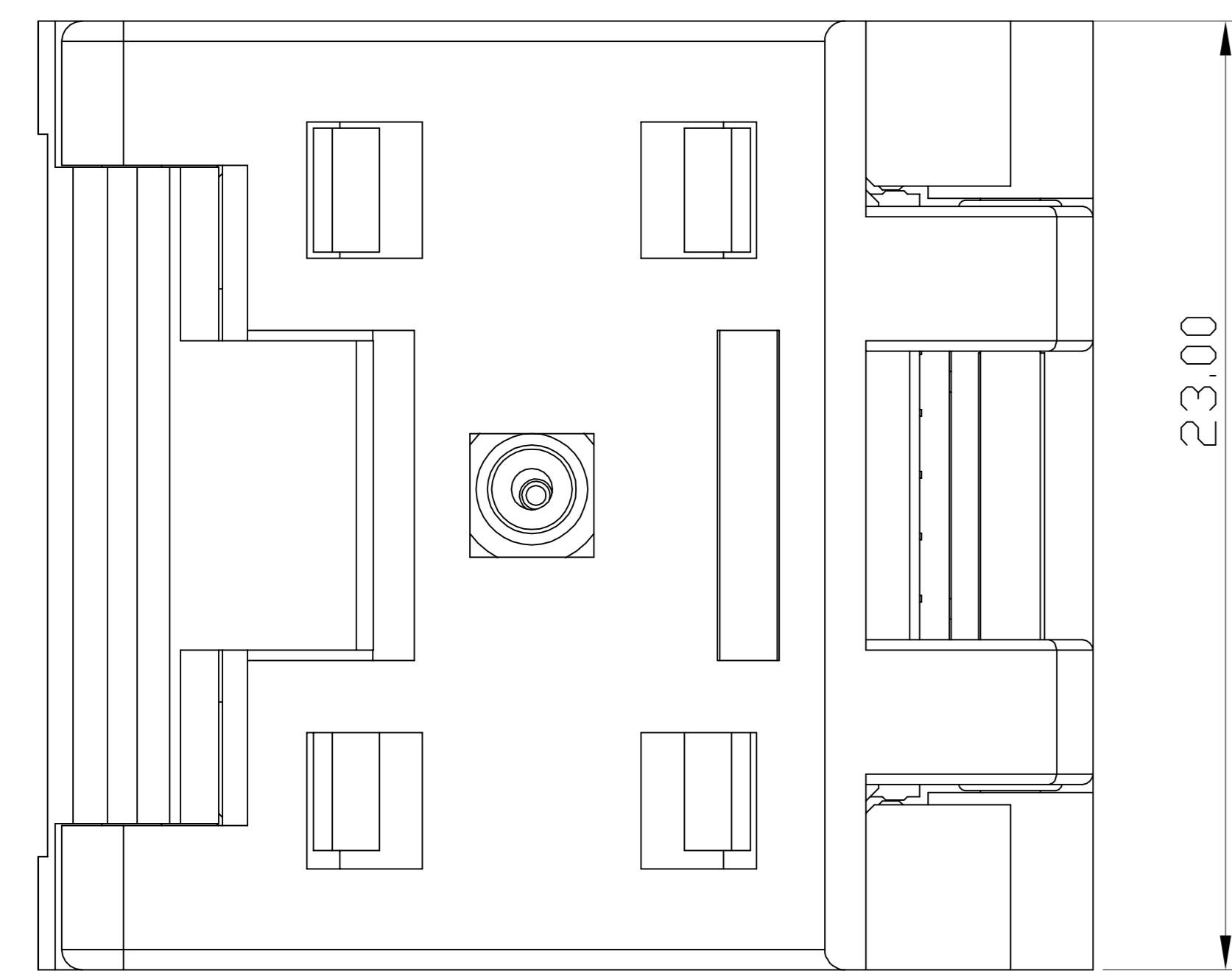
TOP VIEW SIDE VIEW BOTTOM VIEW

PERFORMANCE

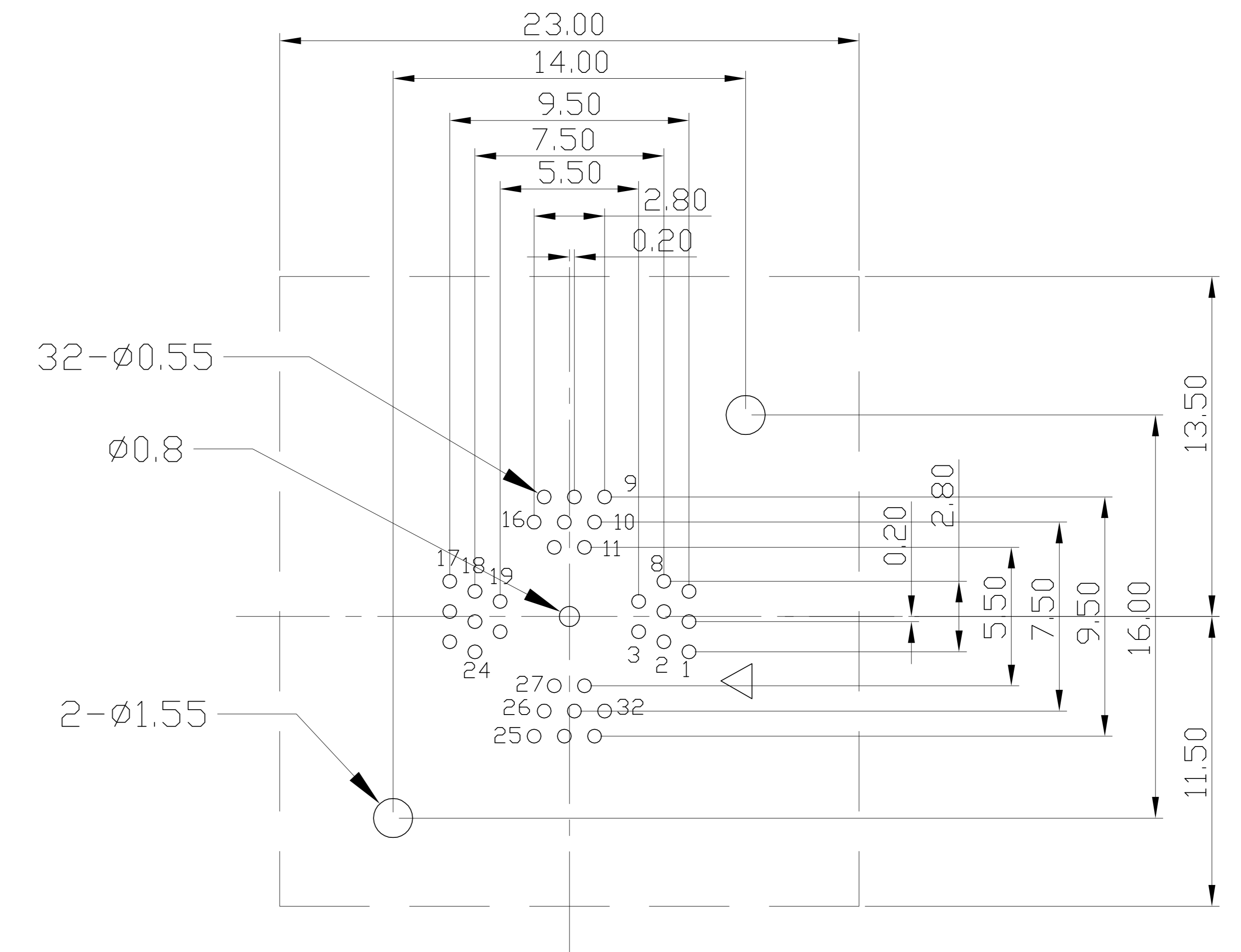
1. Insulation Resistance: 1000MΩ Min.At DC 500V
2. Dielectric Withstanding Voltage For 1 Minute At AC 700V
3. Contact Resistance 30mΩ MAX. at 10mA and 20mV MAX.(Initial)
4. Current Rating: 1A max.
5. Operation Temperature -40°C ~+155°C
6. Life Span 15,000 Times (Mechanical)
7. Operation Force 2.0 Kg MAX

TOLERANCE	PROJECTION	GENERAL TOLERANCES	±0.10	TITLE	QFN28-0.5 SOCKET
X.	± 0.50	DIMENSION: mm	SCALE: 1:1	CLASS	QFN28-0.5-CP01GT
X.X	± 0.25	APP:	DATE:		
X.XX	± 0.10	CHECK:	DATE:		
X.XXX	± 0.05	DEGK: ENG03	DATE: 20150606		

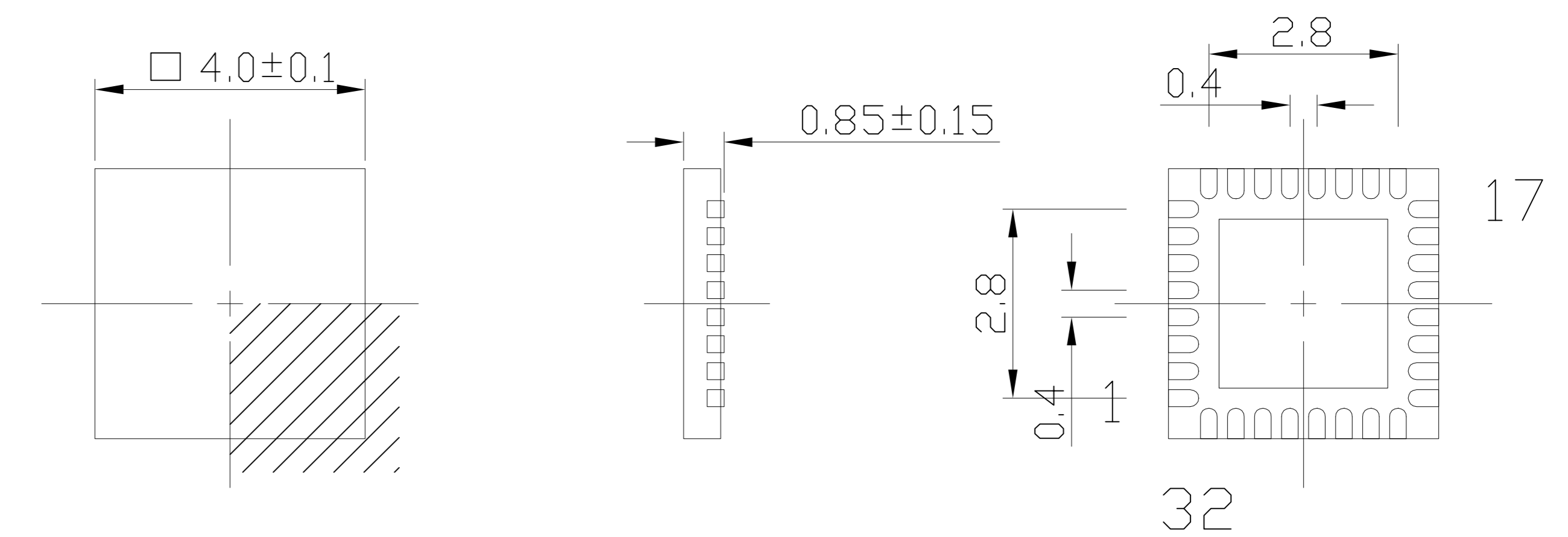
REVISION	DESCRIPTION	CHECK	APP	DATE	REV. NOTICE. NO
△ 1					
△ 2					
△ 3					



PCB Pattern(TOP View)



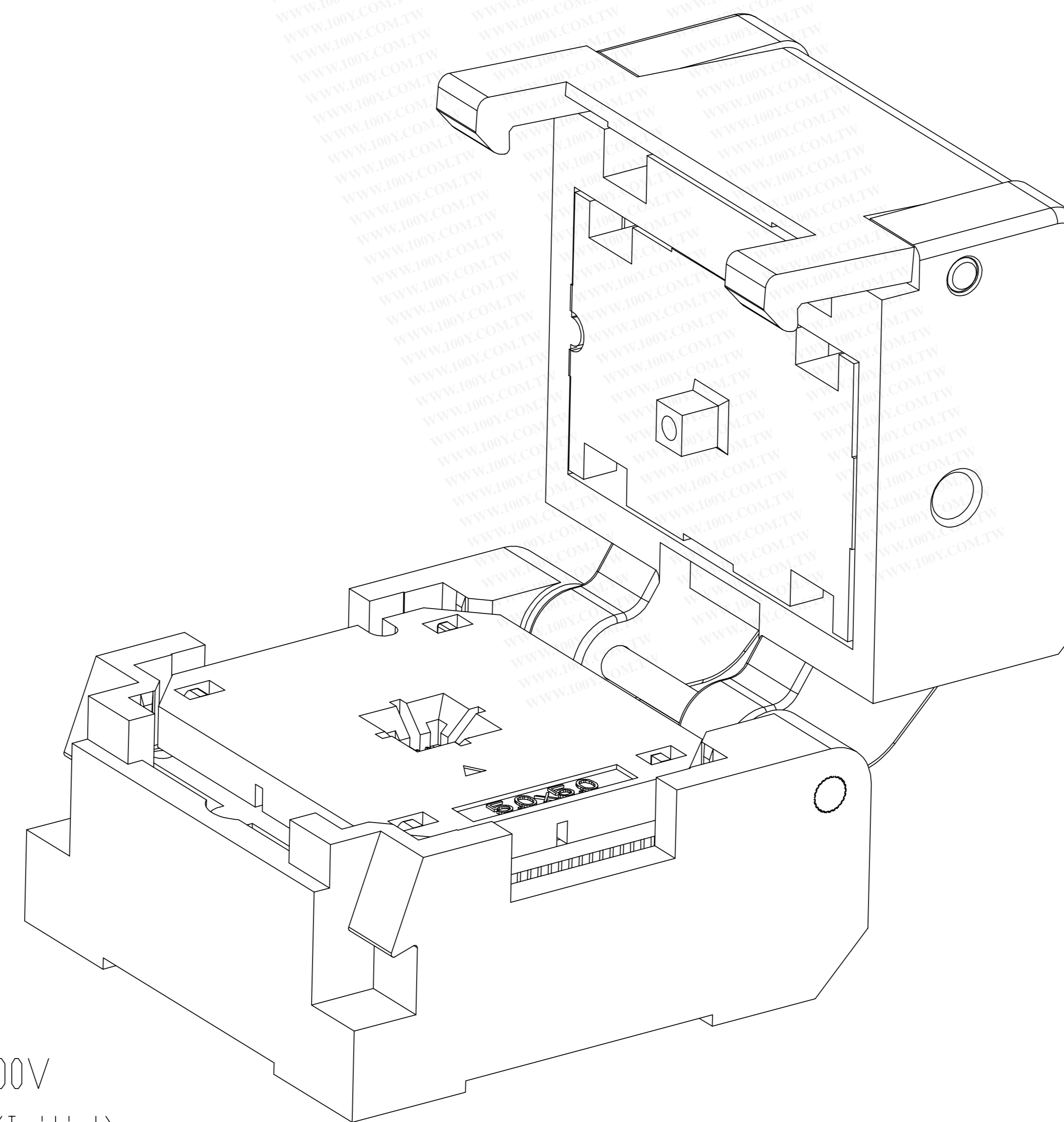
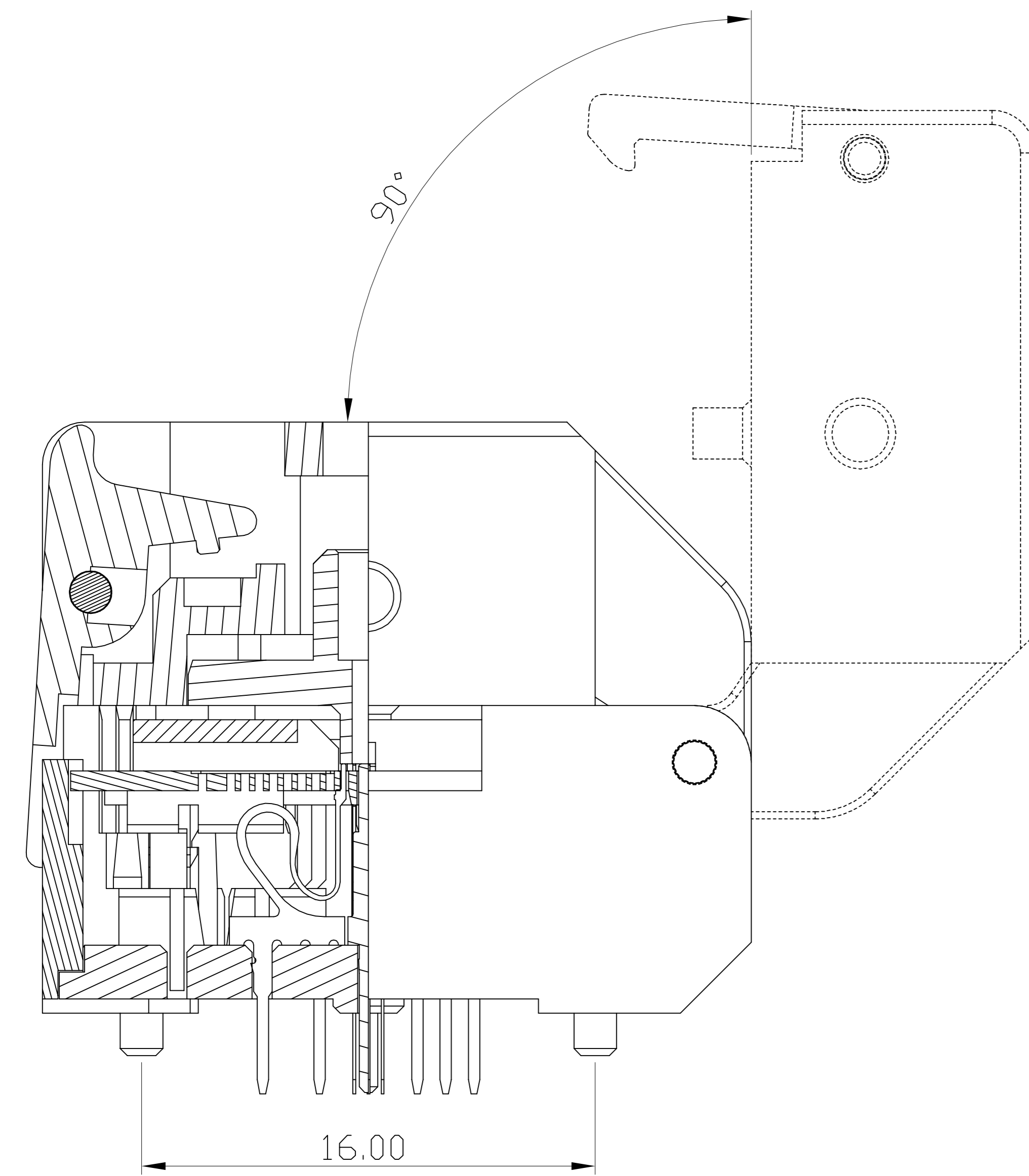
Applicable IC



TOP VIEW

SIDE VIEW

BOTTOM VIEW

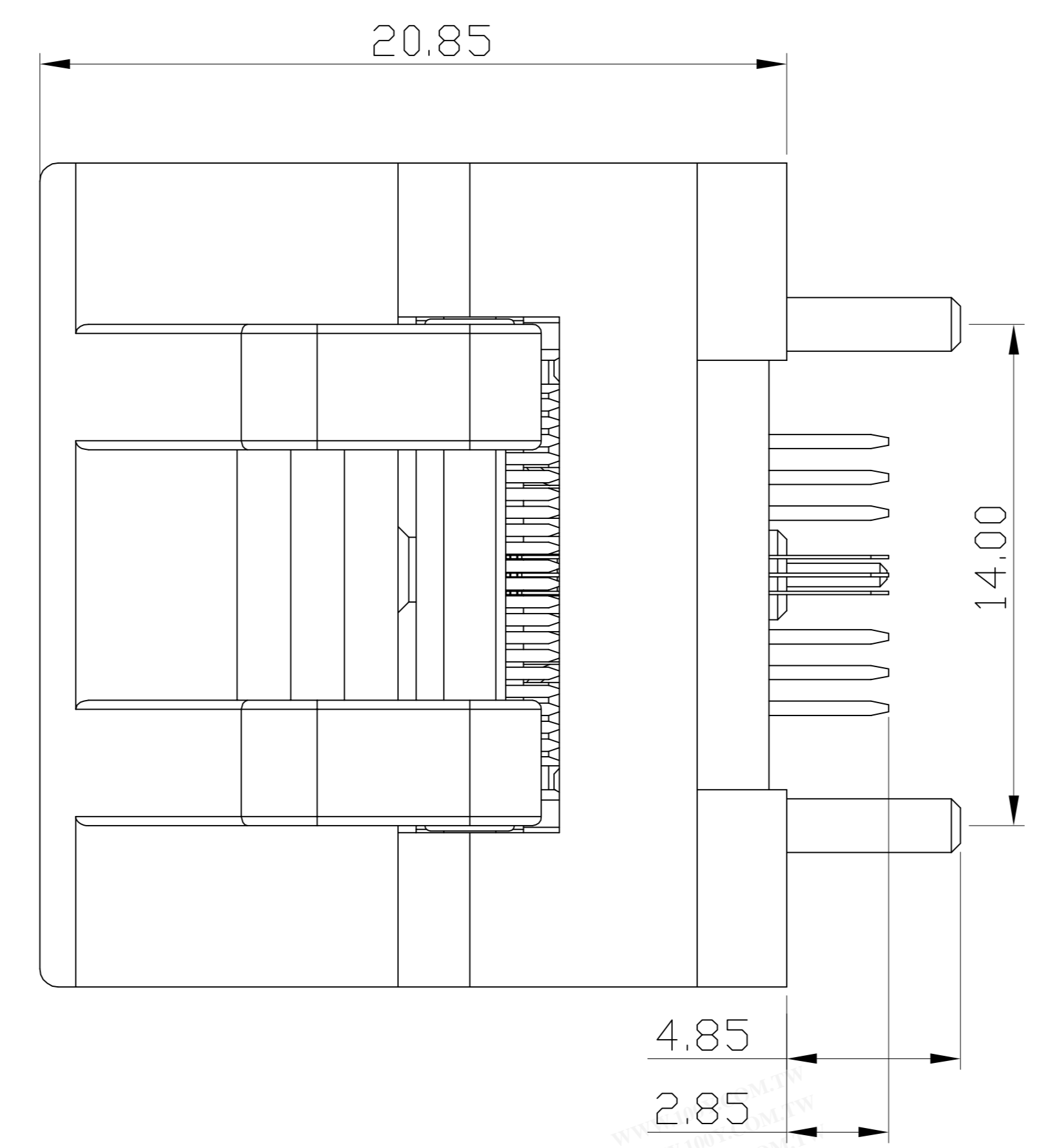
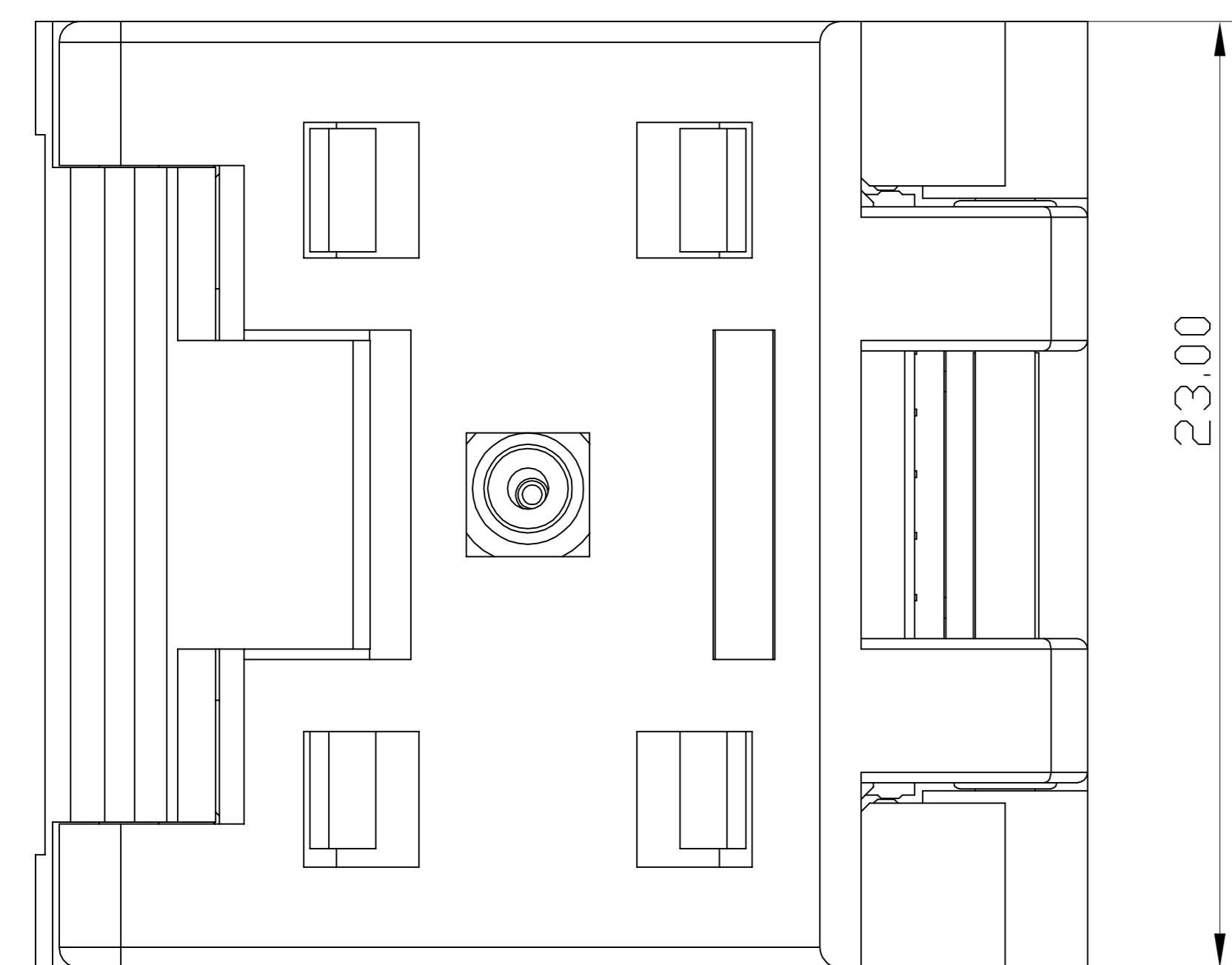


PERFORMANCE

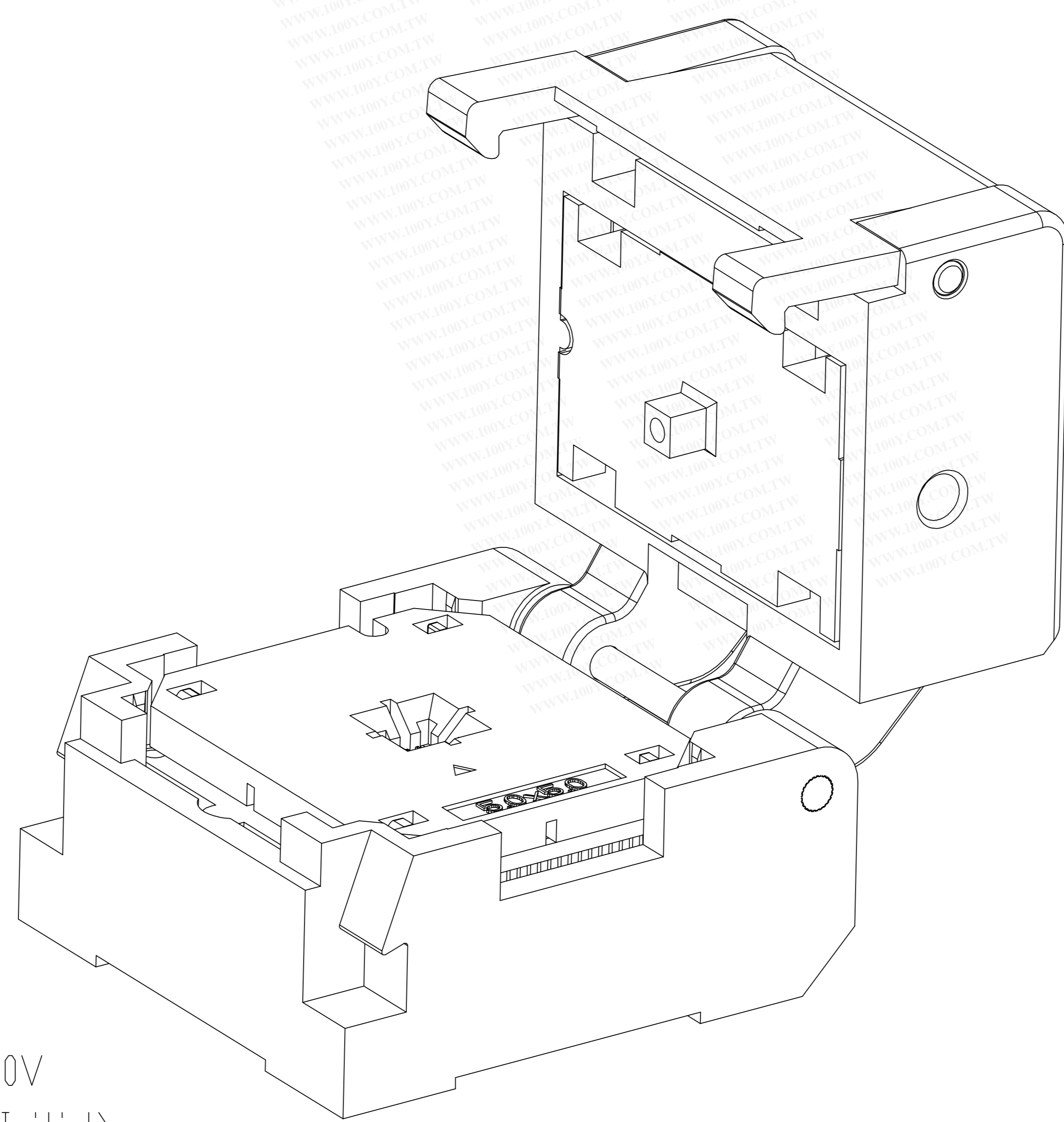
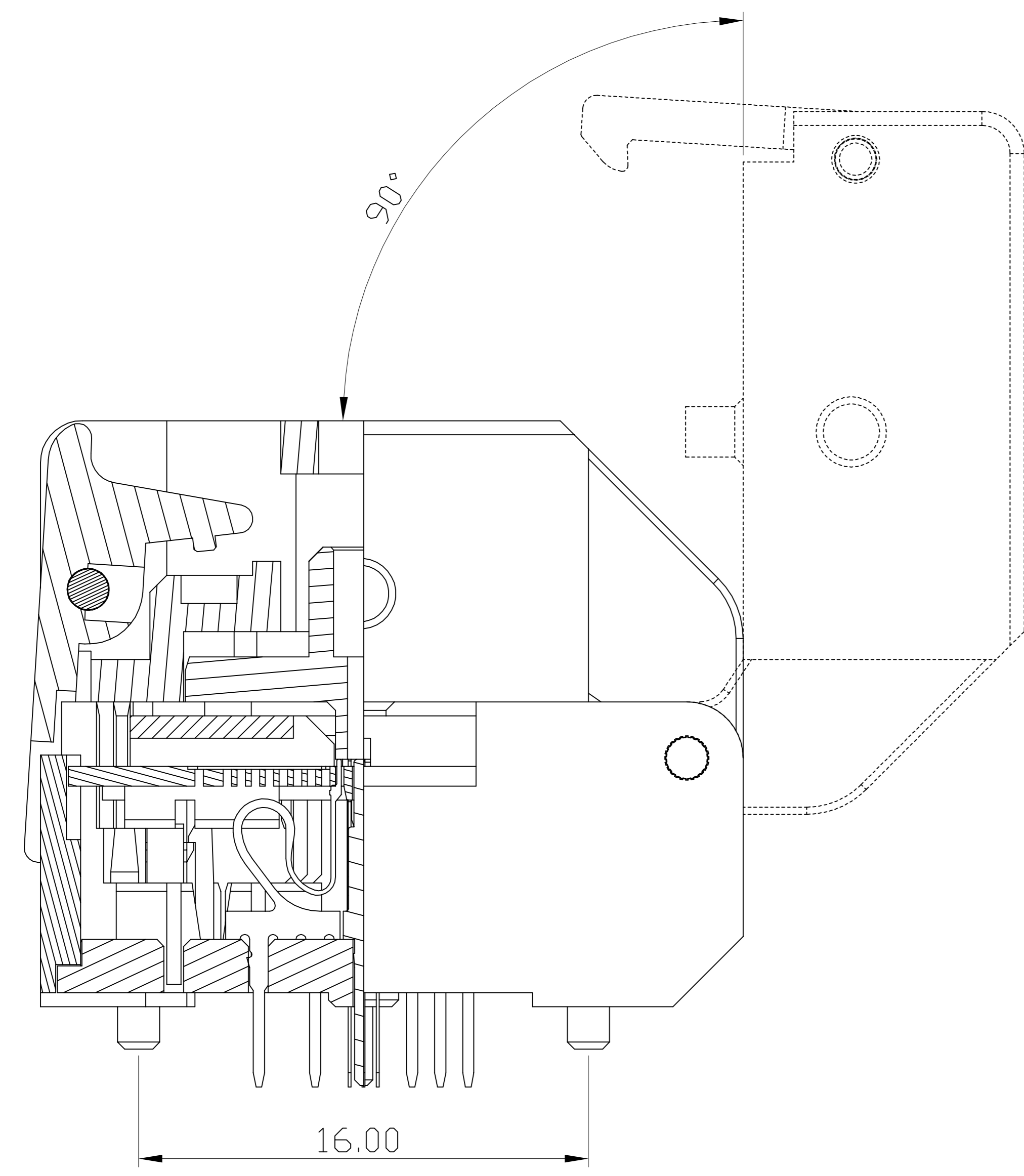
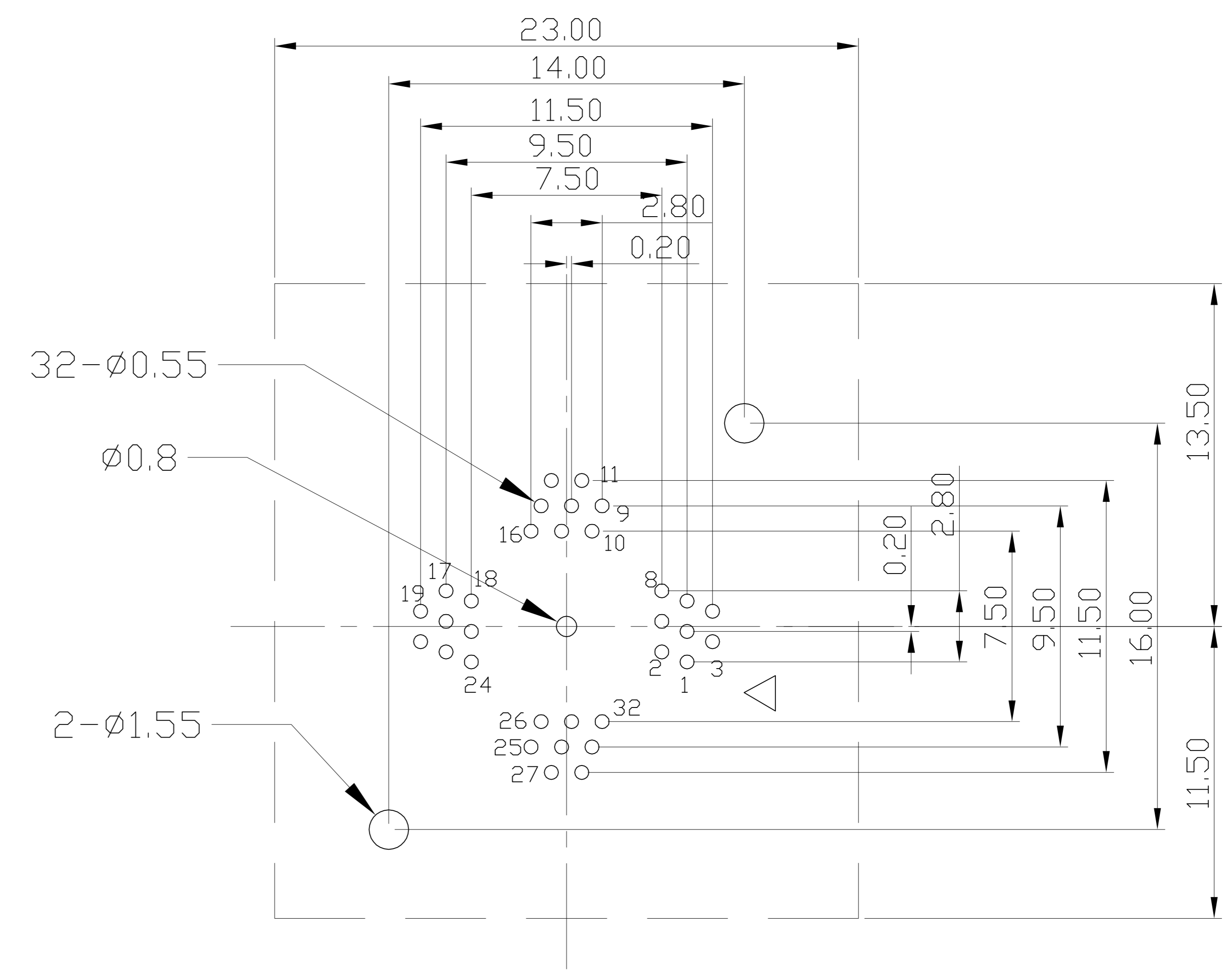
1. Insulation Resistance: 1000MΩ Min.At DC 500V
2. Dielectric Withstanding Voltage For 1 Minute At AC 700V
3. Contact Resistance 30mΩ MAX. at 10mA and 20mV MAX.(Initial)
4. Current Rating: 1A max.
5. Operation Temperature -55°C ~+175°C
6. Life Span 15,000 Times (Mechanical)
7. Operation Force 2.0 Kg MAX

TOLERANCE	PROJECTION	GENERAL TOLERANCES	±0.10	TITLE	QFN32-0.4 SOCKET
X.	± 0.50	DIMENSION: mm	SCALE: 1:1	CLASS	QFN32-0.4-CP02GT
X.X	± 0.25	APP:	DATE:	DRW. NO	6U-PWQFN-0.4-32-4X4-02
X.XX	± 0.10	CHECK:	DATE:		
X.XXX	± 0.05	DEGK: ENG03	DATE: 20130618		

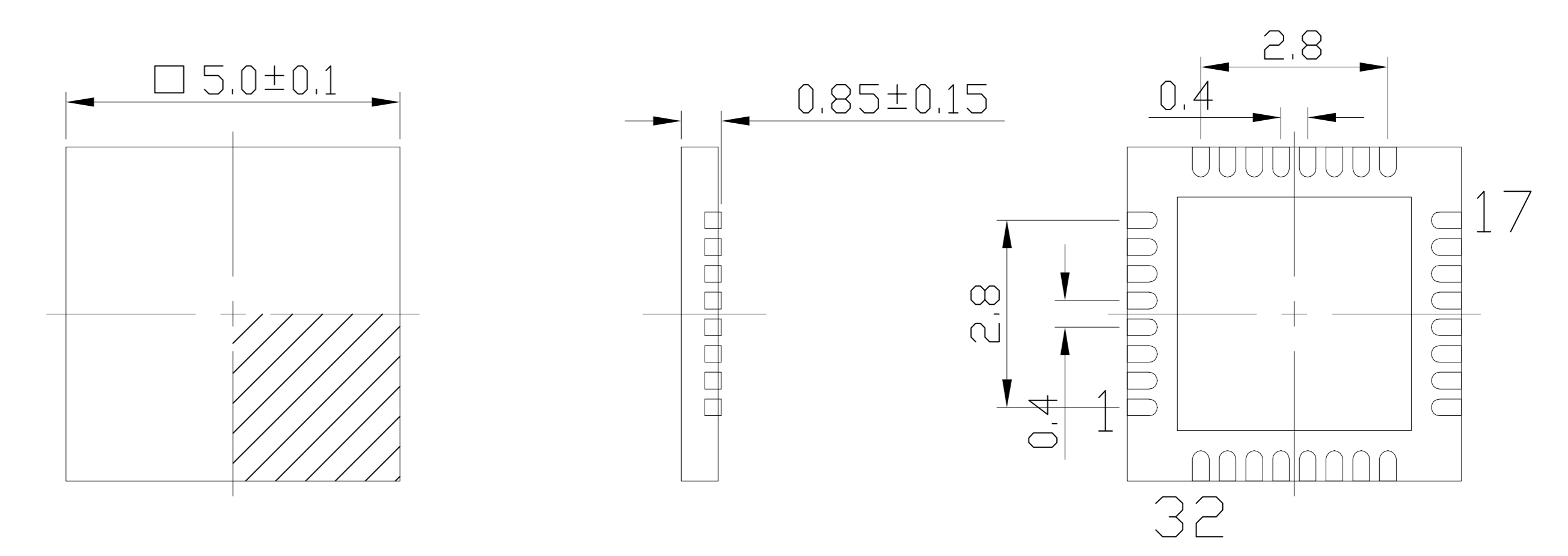
REVISION	DESCRIPTION	CHECK	APP	DATE	REV. NOTICE. NO
△ 1					
△ 2					
△ 3					



PCB Pattern(TOP View)



Applicable IC



TOP VIEW SIDE VIEW BOTTOM VIEW

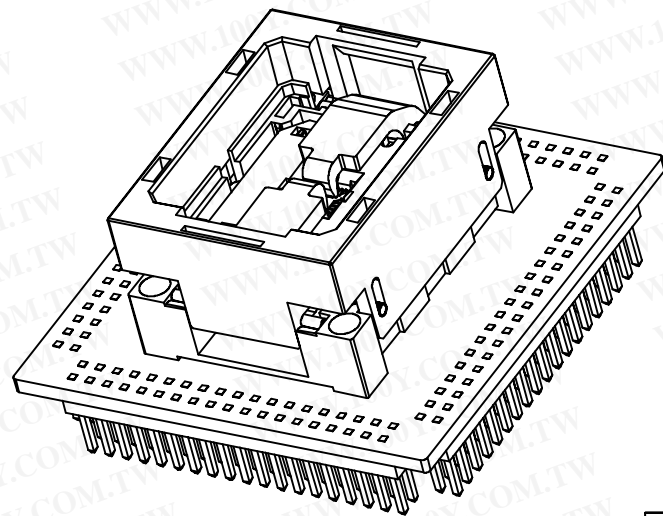
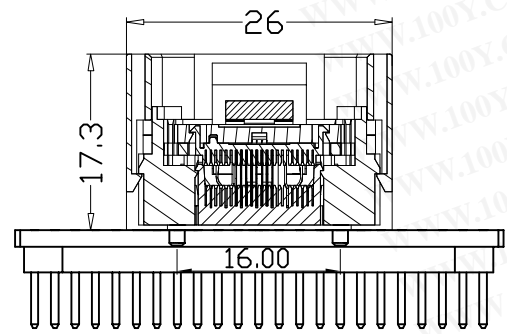
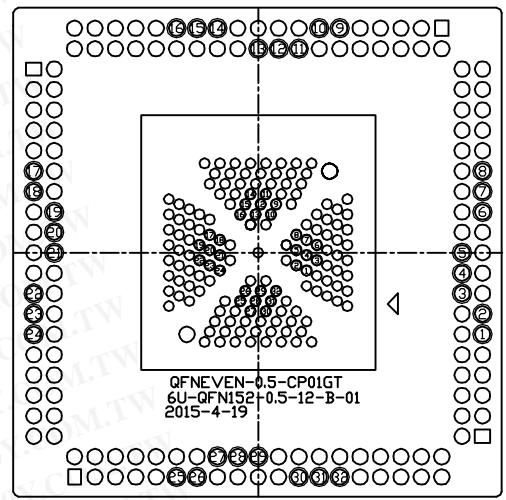
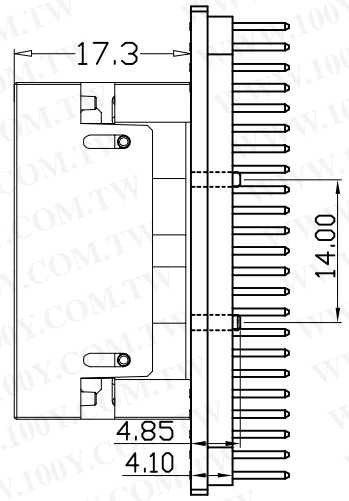
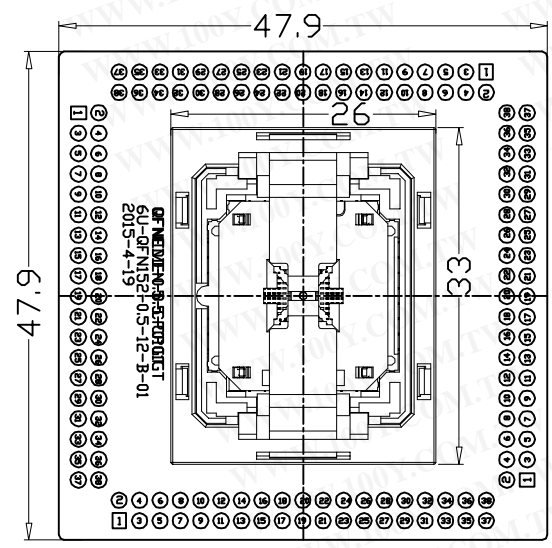
PERFORMANCE

1. Insulation Resistance: 1000MΩ Min.At DC 500V
2. Dielectric Withstanding Voltage For 1 Minute At AC 700V
3. Contact Resistance 30mΩ MAX. at 10mA and 20mV MAX.(Initial)
4. Current Rating: 1A max.
5. Operation Temperature -55°C ~+175°C
6. Life Span 15,000 Times (Mechanical)
7. Operation Force 2.0 Kg MAX

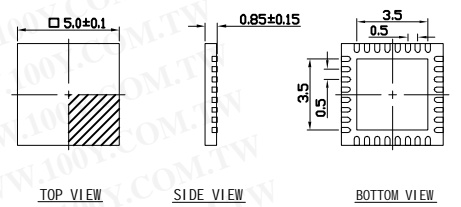
TOLERANCE	PROJECTION	GENERAL TOLERANCES	±0.10	TITLE	QFN32-0.4 SOCKET
X. ± 0.50	DIMENSION: mm	R E V	A	CLASS	QFN32-0.4-CP01GT
X. X ± 0.25	APP:	SCALE: 1:1	DATE:	DRW. NO	6U-PWQFN-0.4-32-5X5-01
X. XX ± 0.10	CHECK:	DATE:			
X. XXX ± 0.05	DEGK: ENG03	DATE: 20150606			

REVISION	DESCRIPTION	CHECK	APP	DATE	REV. NOTICE. NO
1					
2					
3					

# QFN 偶数万能转接板连线图

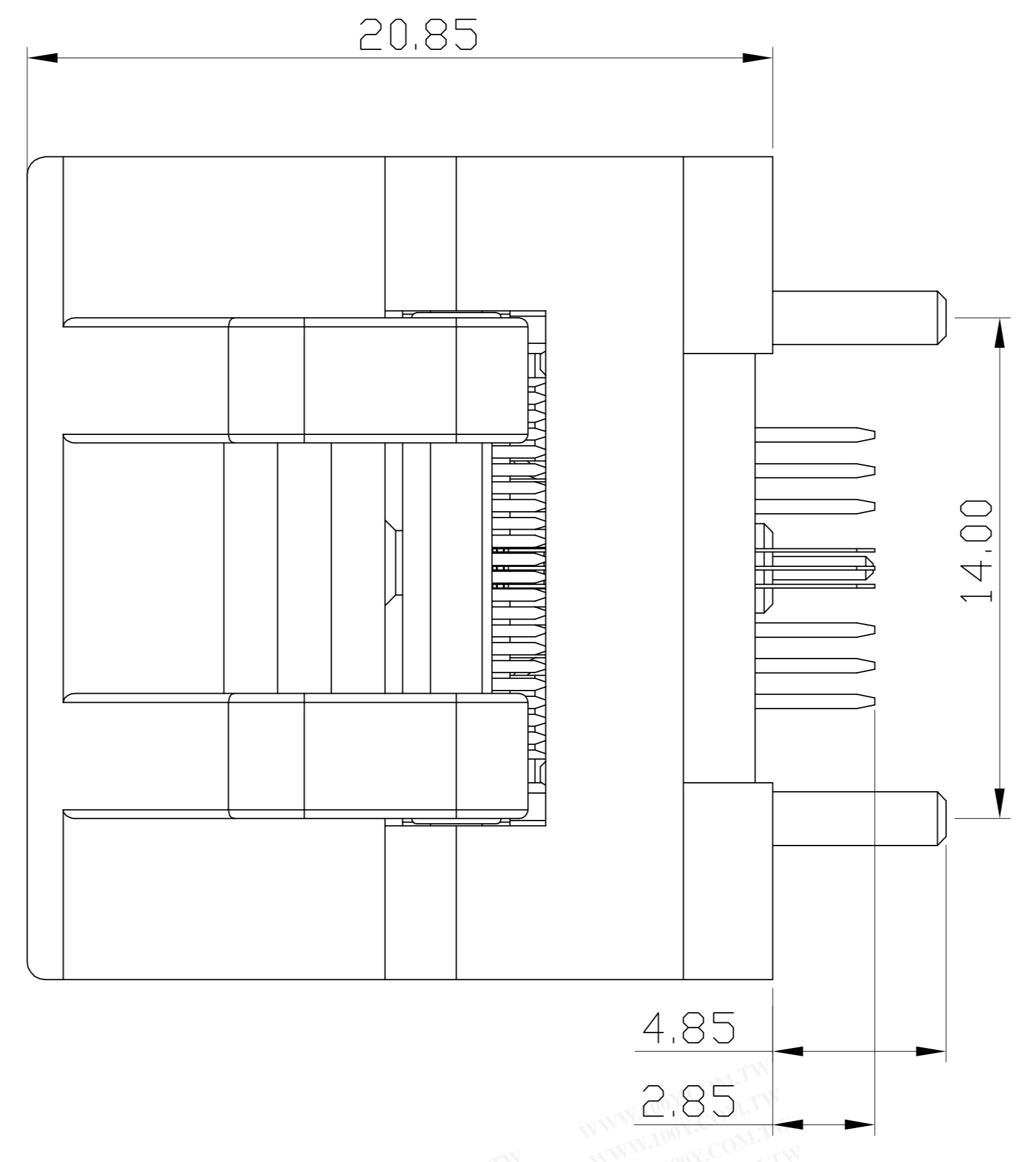
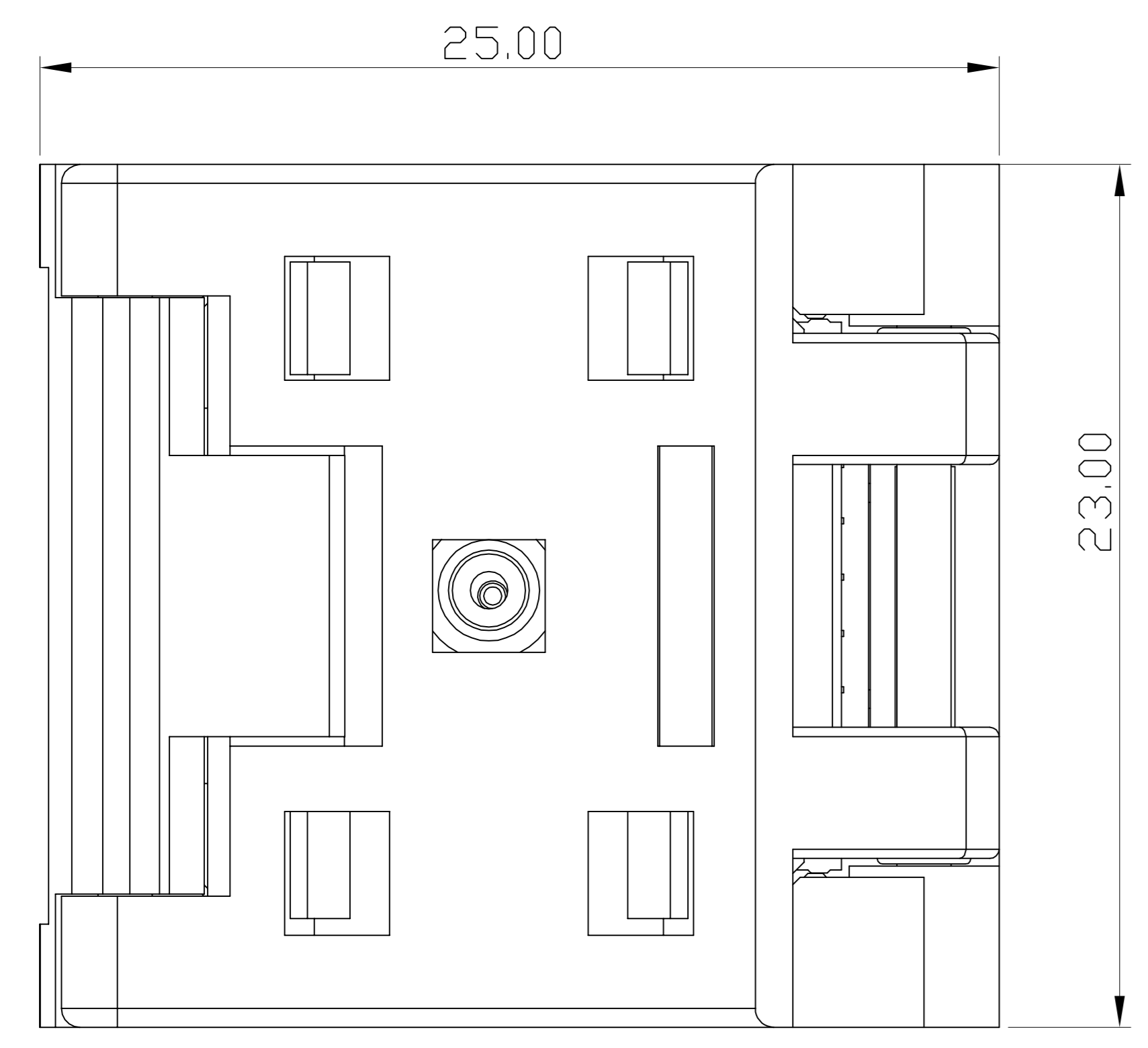


## Applicable IC

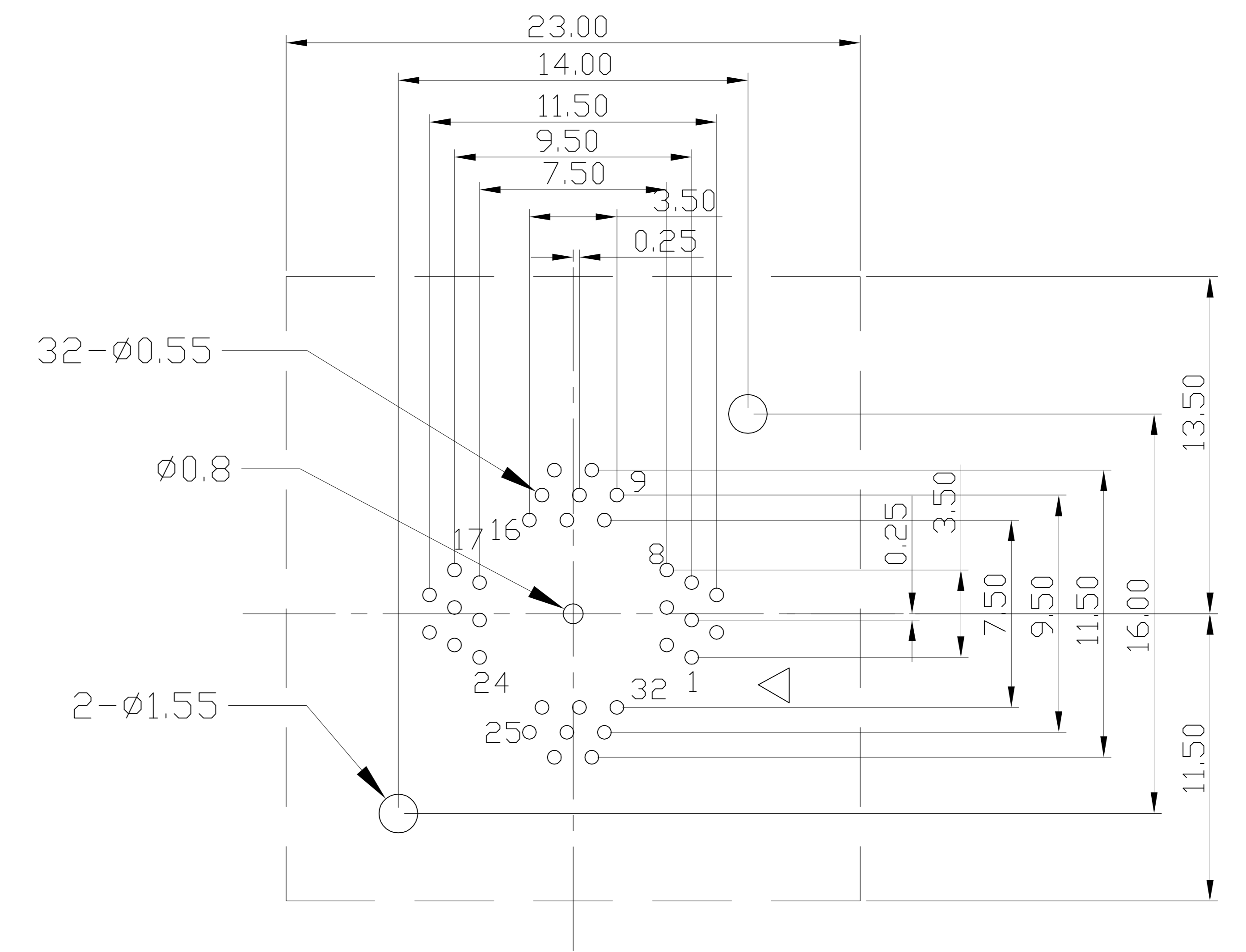


PROJECTION		GENERAL TOLERANCES	±0.10	TITLE	QFN32-0.5 SOCKET
		R E V	A	CLASS	7L-24032B-201
DIMENSION:	mm	SCALE:	1:1	DRW. NO	7L-PWQFN-0.5-32-B-01
APP:		DATE:			
CHECK:		DATE:			
DECK:		DATE:	20120822		

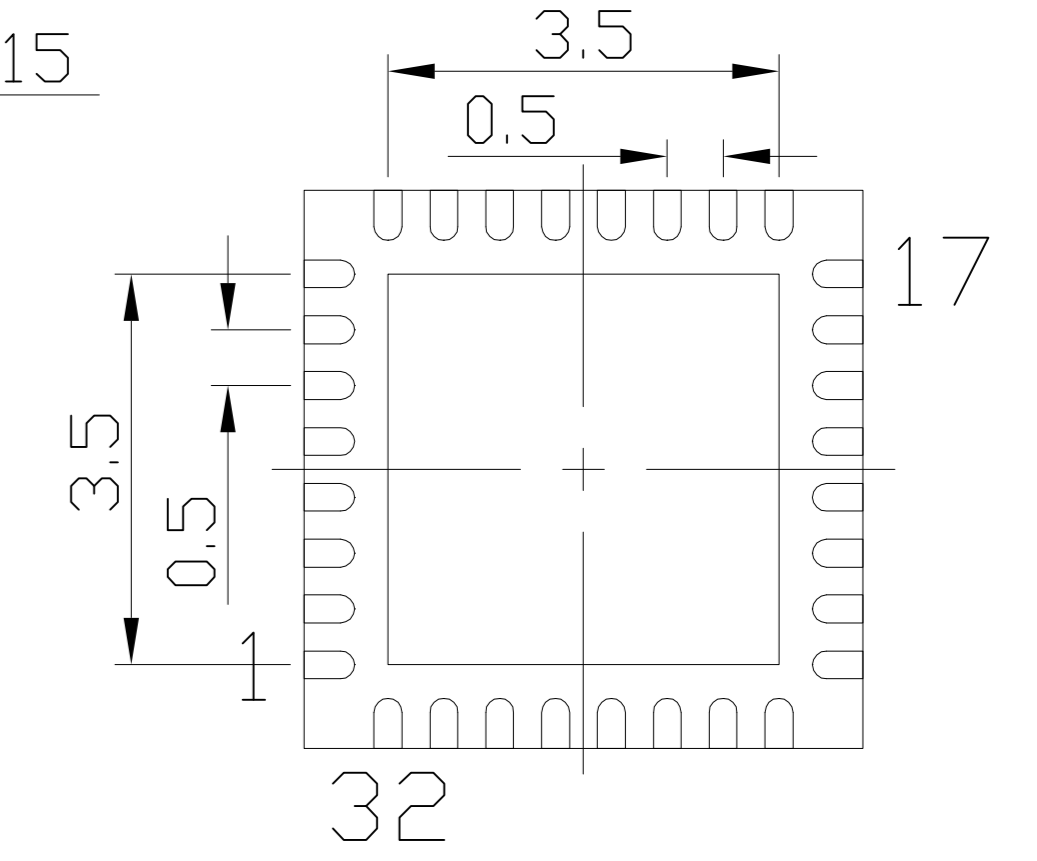
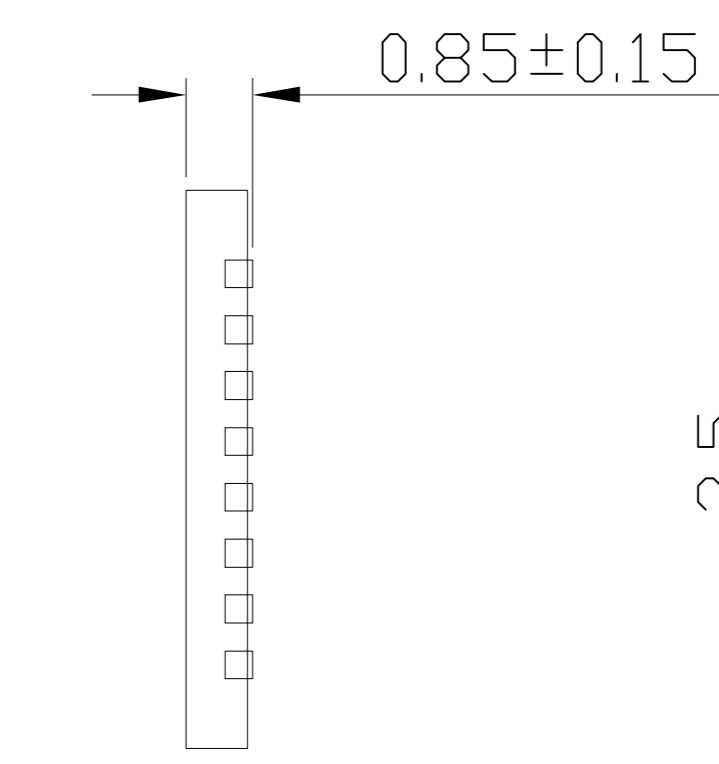
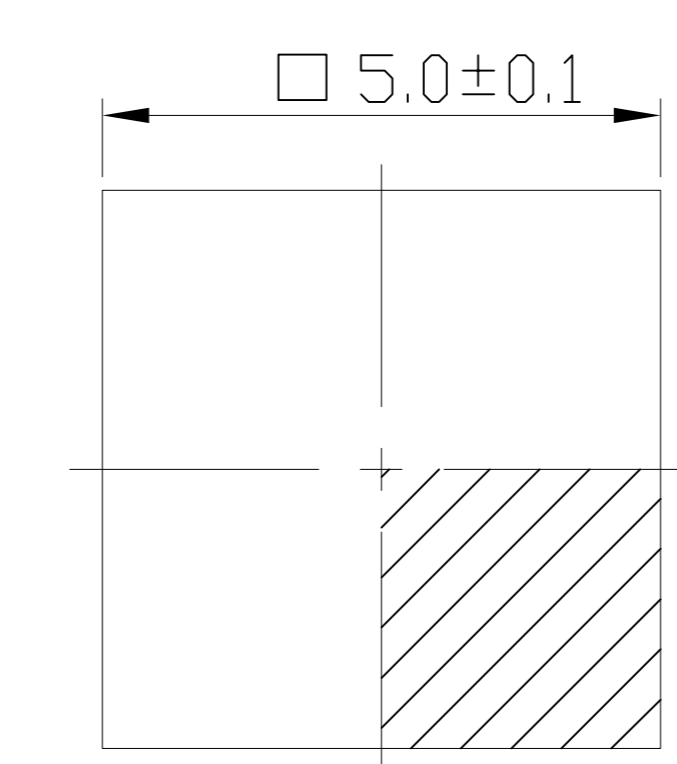
REVISION	DESCRIPTION	CHECK	APP	DATE	REV. NOTICE. NO
△ 1					
△ 2					
△ 3					



PCB Pattern(TOP View)



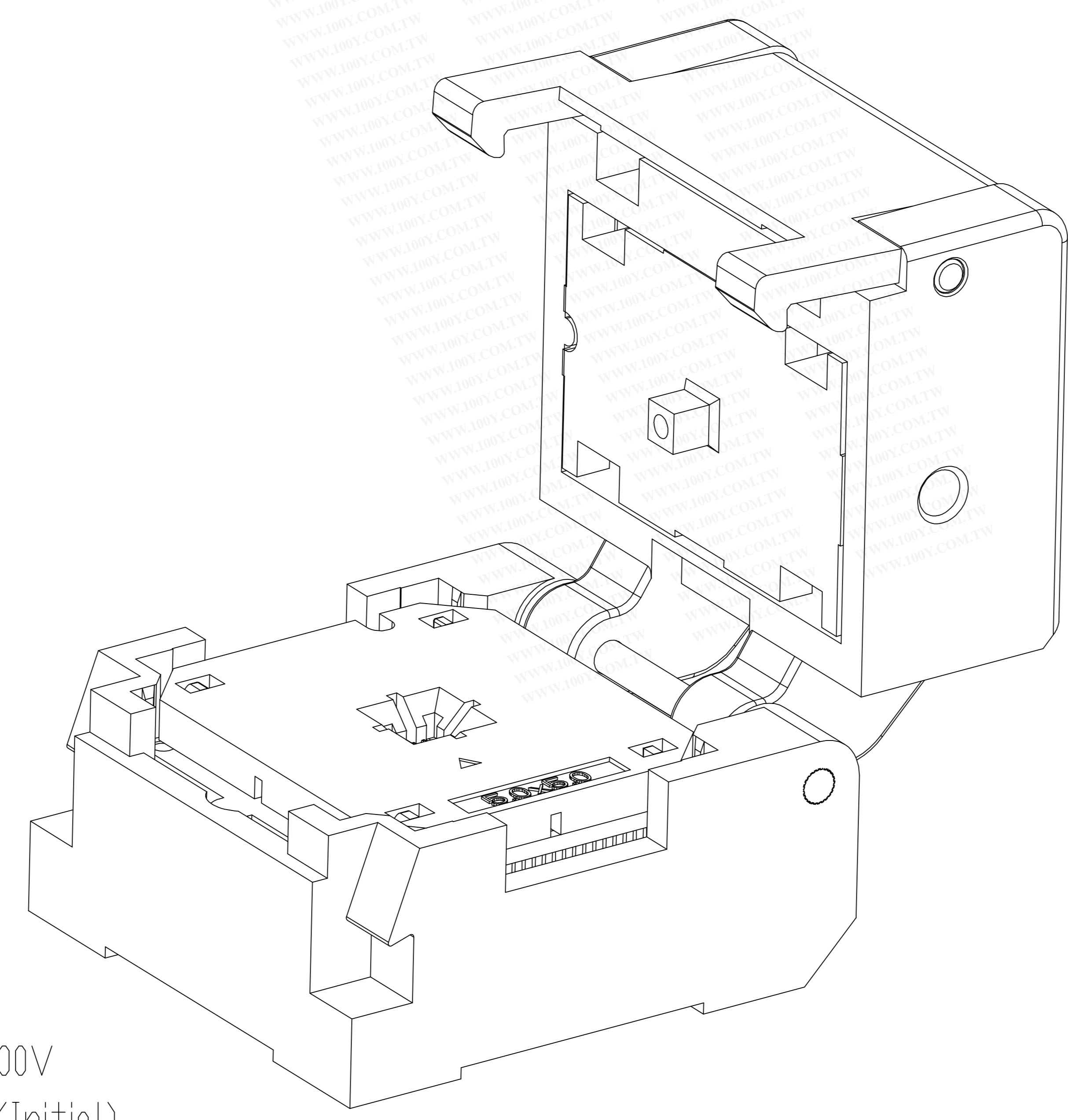
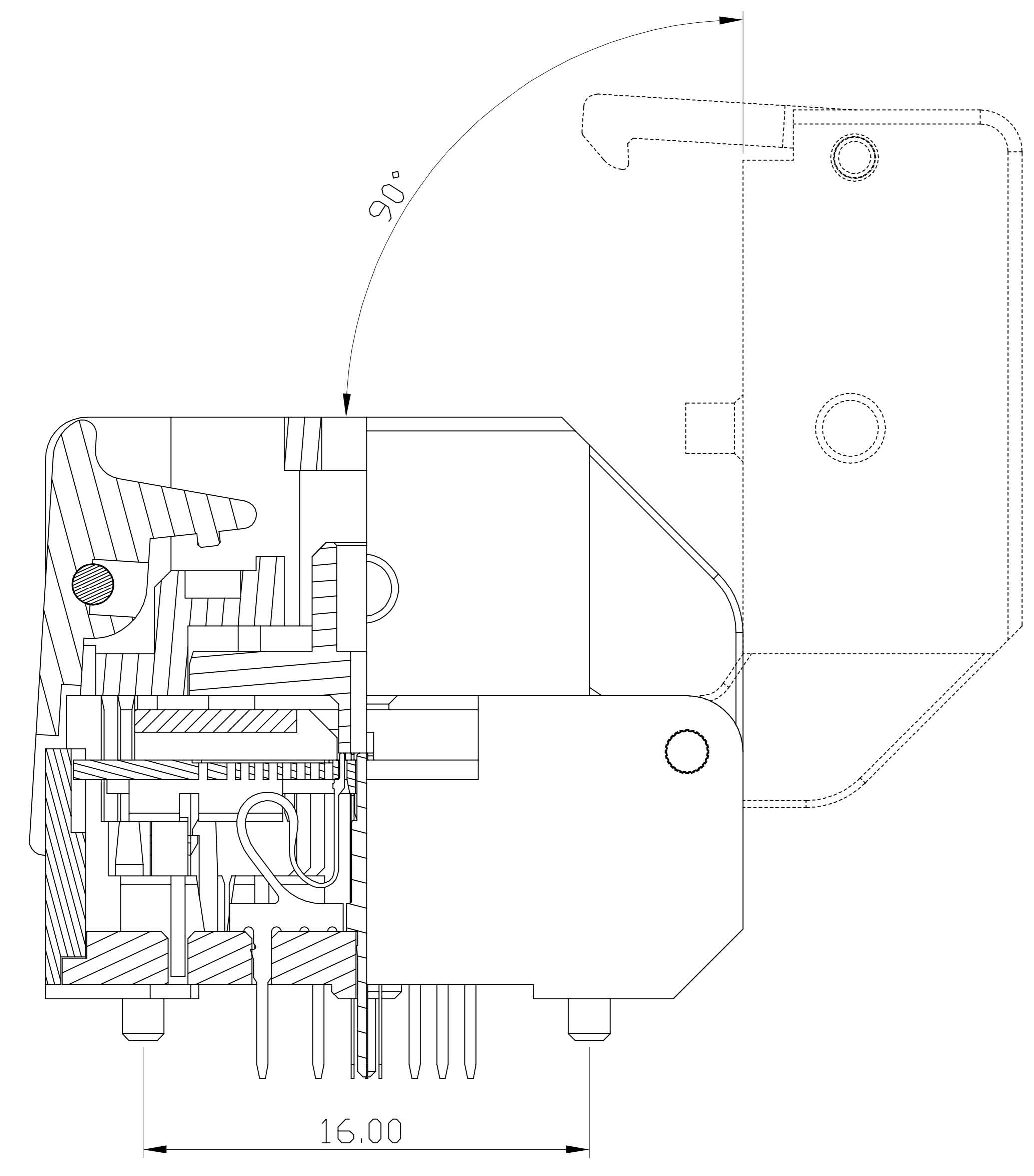
Applicable IC



TOP VIEW

SIDE VIEW

BOTTOM VIEW

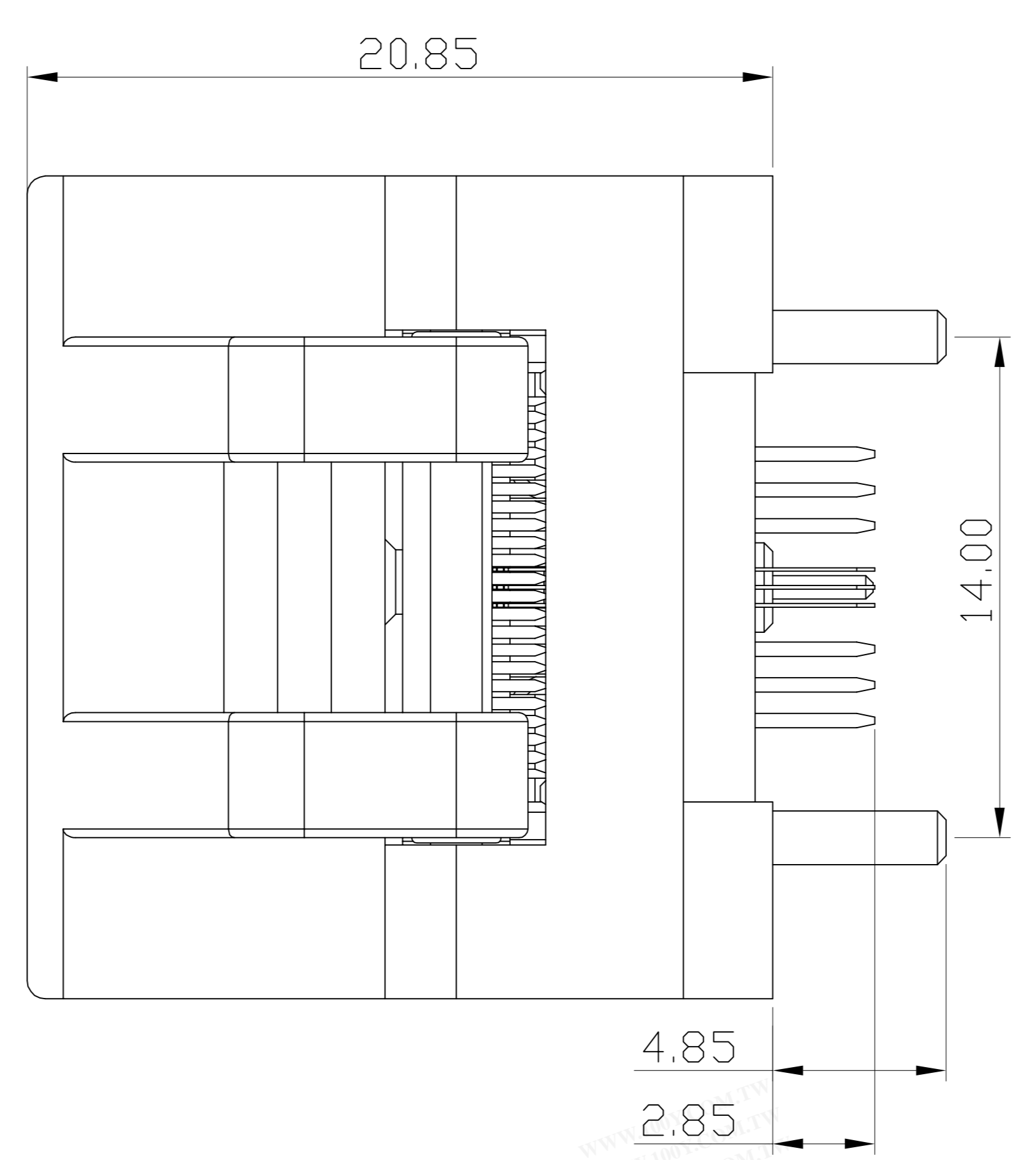
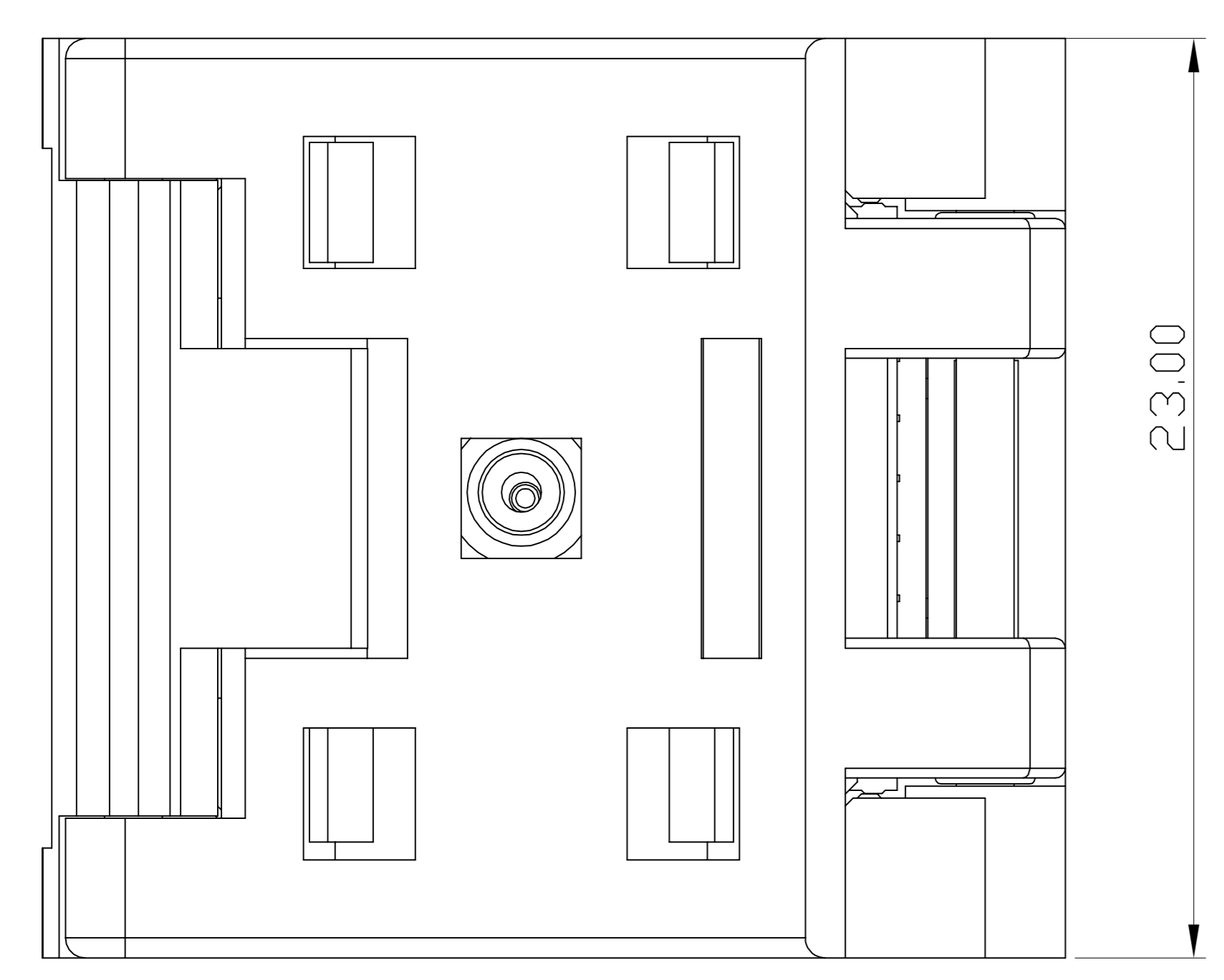


PERFORMANCE

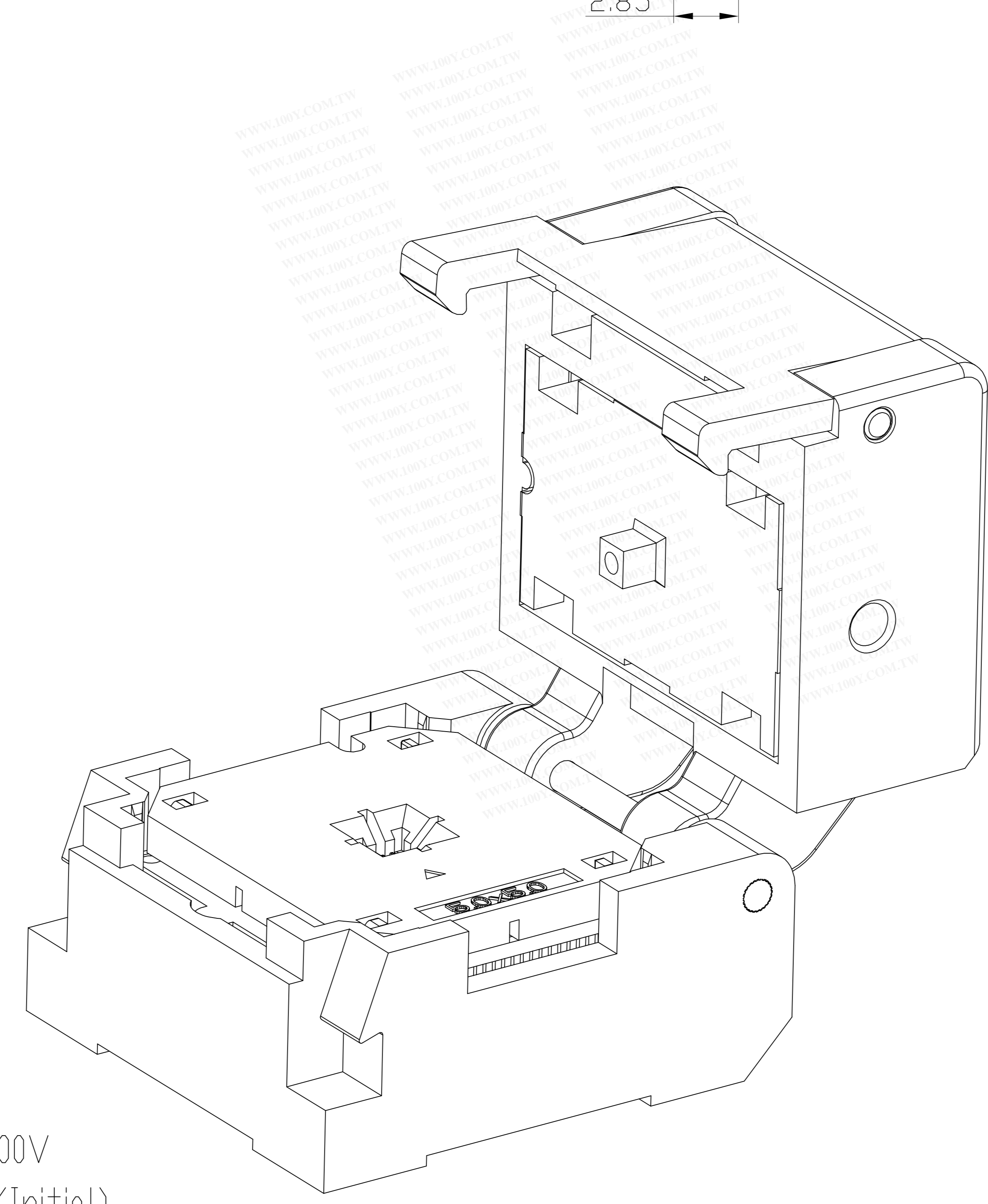
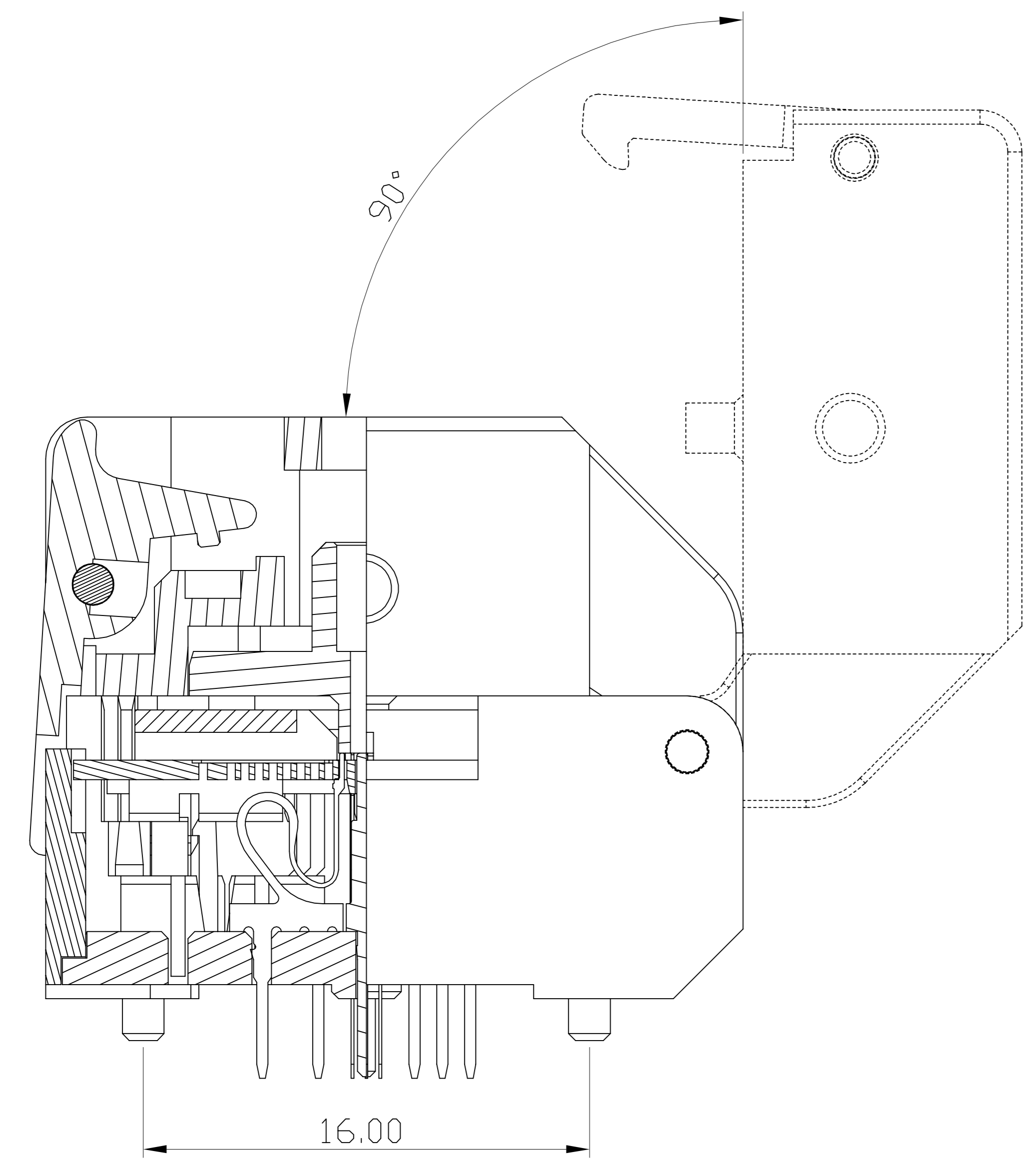
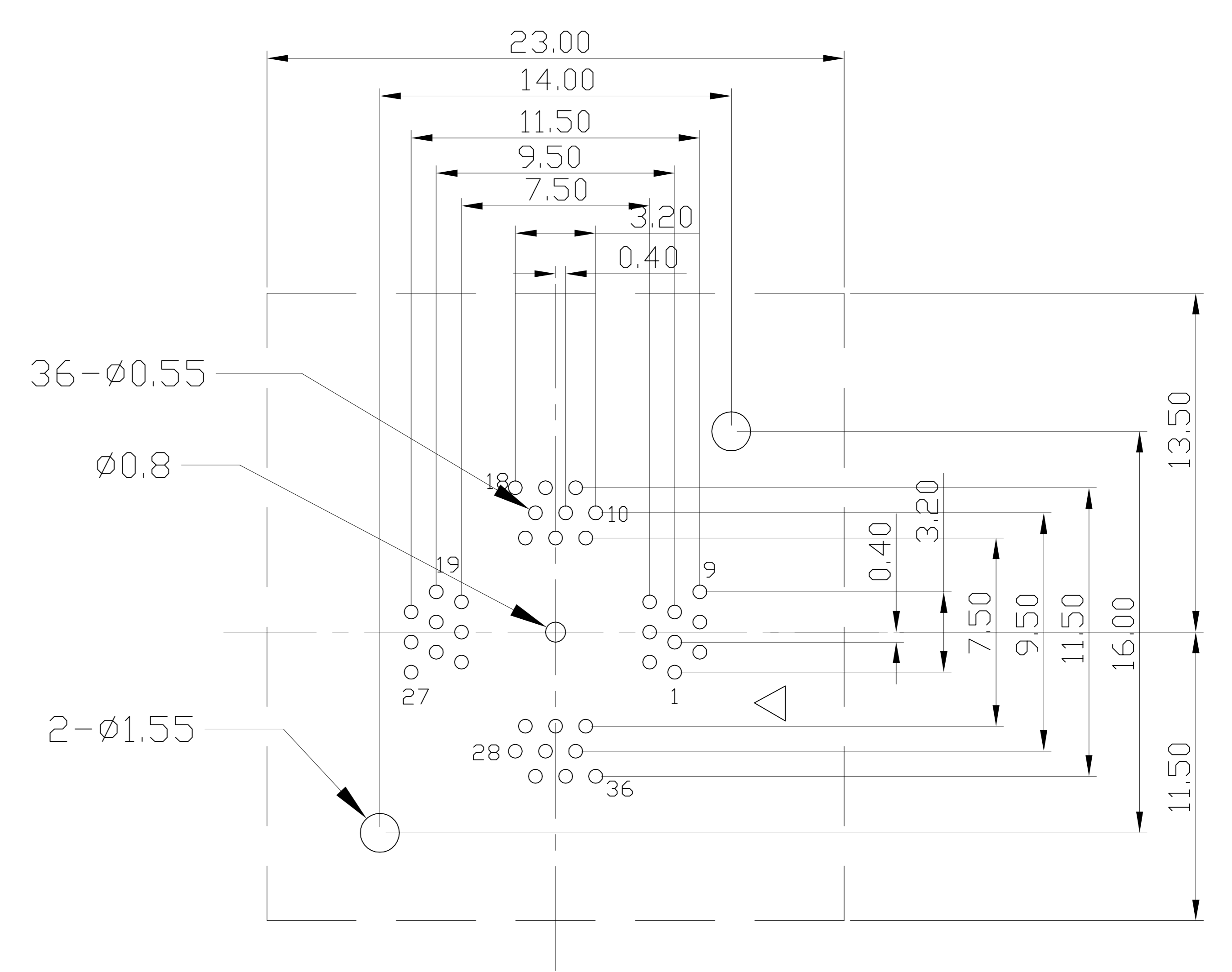
- 1、Insulation Resistance: 1000M $\Omega$  Min.At DC 500V
- 2、Dielectric Withstanding Voltage For 1 Minute At AC 700V
- 3、Contact Resistance 30m $\Omega$  MAX. at 10mA and 20mV MAX.(Initial)
- 4、Current Rating: 1A max.
- 5、Operation Temperature -40°C ~+155°C
- 6、Life Span 15,000 Times (Mechanical)
- 7、Operation Force 2.0 Kg MAX

TOLERANCE	PROJECTION	GENERAL TOLERANCES	±0.10	TITLE	QFN32-0.5 SOCKET
X.	± 0.50	DIMENSION: mm	SCALE: 1:1	CLASS	QFN32-0.5-CP01GT
X.X	± 0.25	APP:	DATE:	DRW. NO	6U-PWQFN-0.5-32-5X5-01
X.XX	± 0.10	CHECK:	DATE:		
X.XXX	± 0.05	DEGK: ENG03	DATE: 20150606		

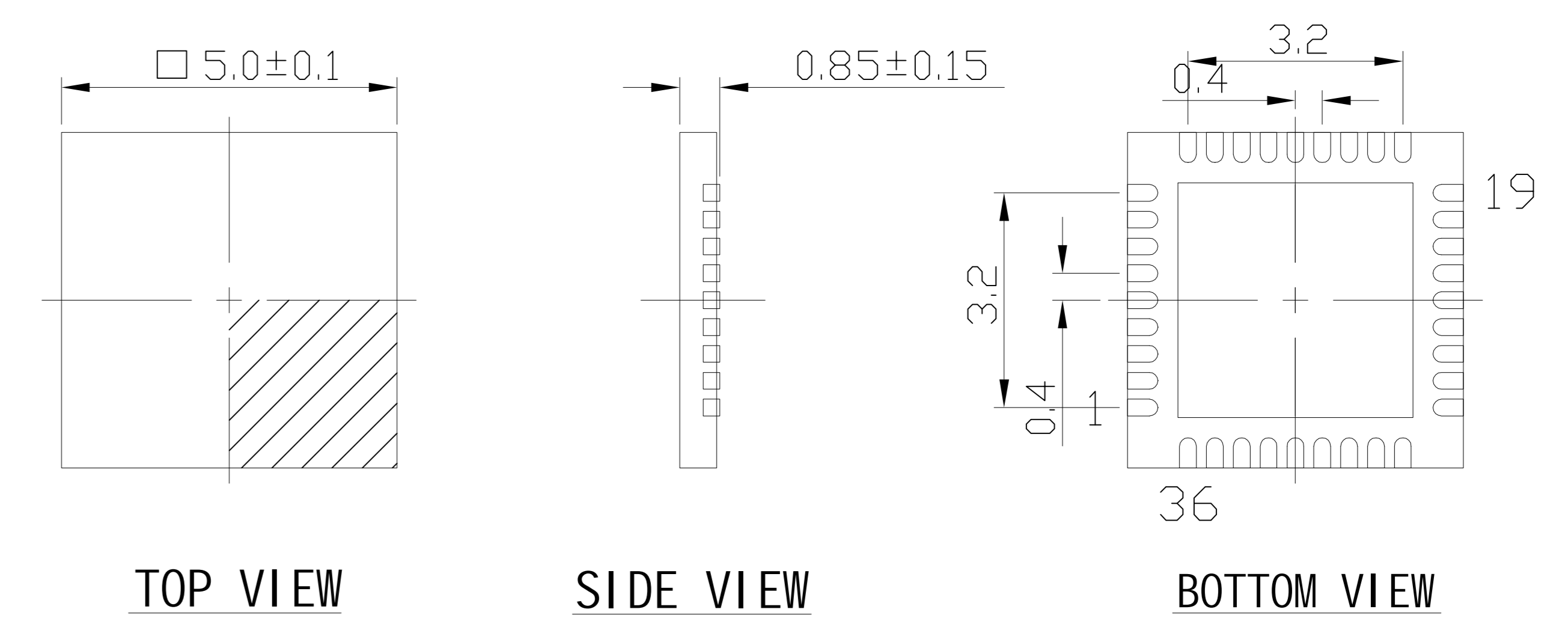
REVISION	DESCRIPTION	CHECK	APP	DATE	REV. NOTICE. NO
△ 1					
△ 2					
△ 3					



PCB Pattern(TOP View)



Applicable IC



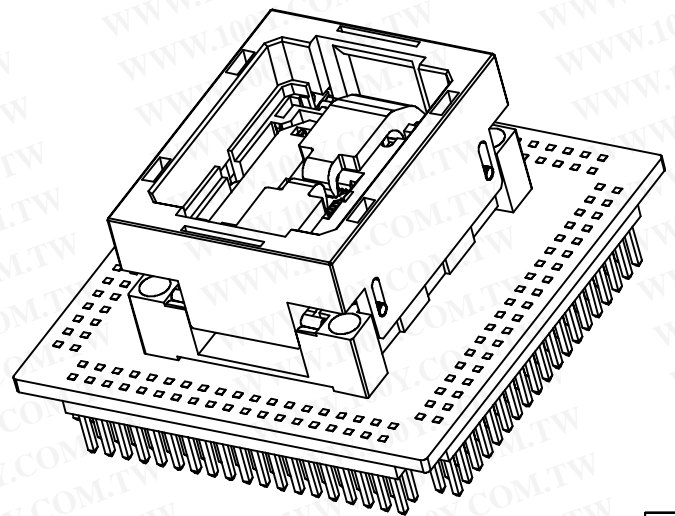
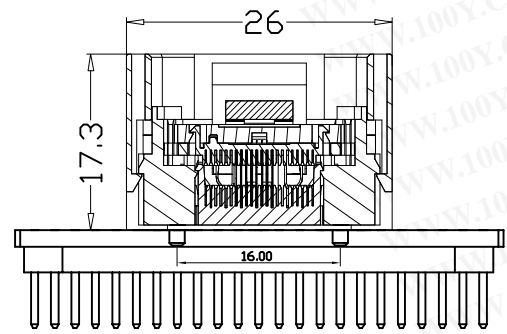
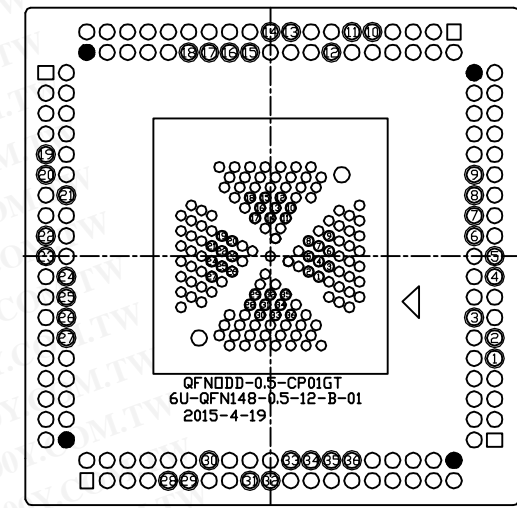
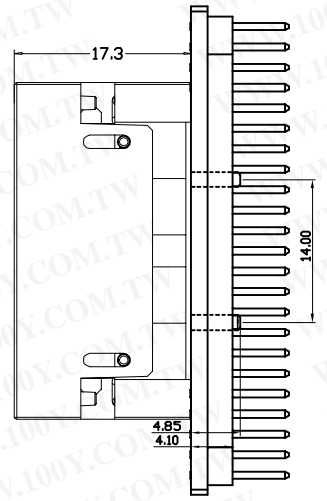
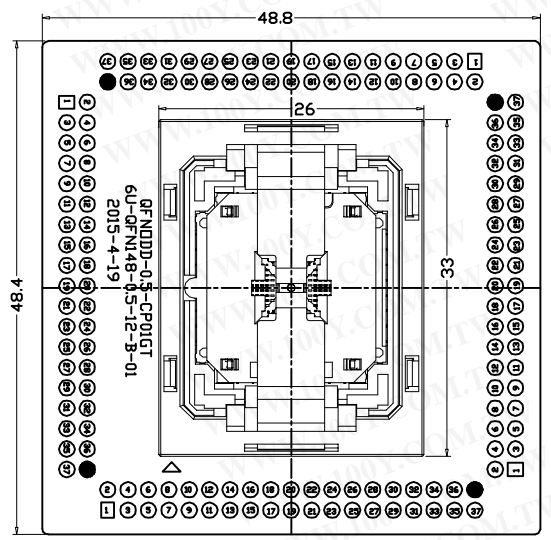
PERFORMANCE

- 1、Insulation Resistance: 1000M $\Omega$  Min.At DC 500V
- 2、Dielectric Withstanding Voltage For 1 Minute At AC 700V
- 3、Contact Resistance 30m $\Omega$  MAX. at 10mA and 20mV MAX.(Initial)
- 4、Current Rating: 1A max.
- 5、Operation Temperature -55°C ~+175°C
- 6、Life Span 15,000 Times (Mechanical)
- 7、Operation Force 2.0 Kg MAX

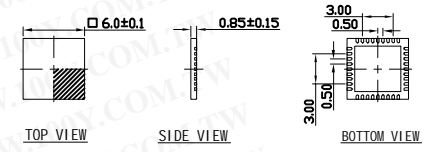
TOLERANCE	PROJECTION	GENERAL TOLERANCES	±0.10	TITLE	QFN36-0.4 SOCKET
X.	± 0.50	DIMENSION: mm	SCALE: 1:1	CLASS	QFN36-0.4-CP01GT
X.X	± 0.25	APP:	DATE:		6U-PWQFN-0.4-36-5X5-01
X.XX	± 0.10	CHECK:	DATE:		
X.XXX	± 0.05	DEGK: ENG03	DATE: 20150606		

REVISION	DESCRIPTION	CHECK	APP	DATE	REV. NOTICE. NO
1					
2					
3					

# QFN 奇数万能转接板连线图

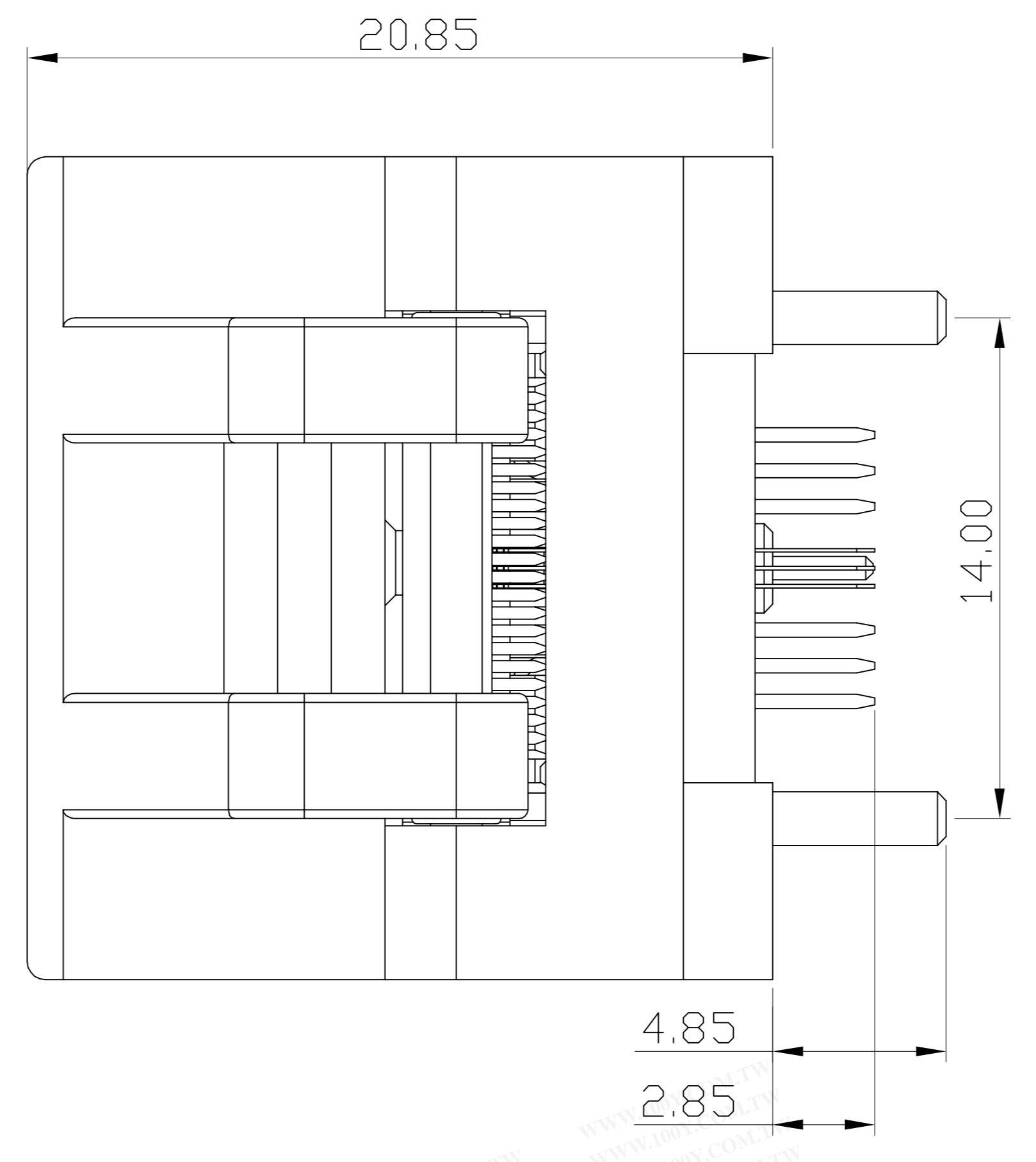
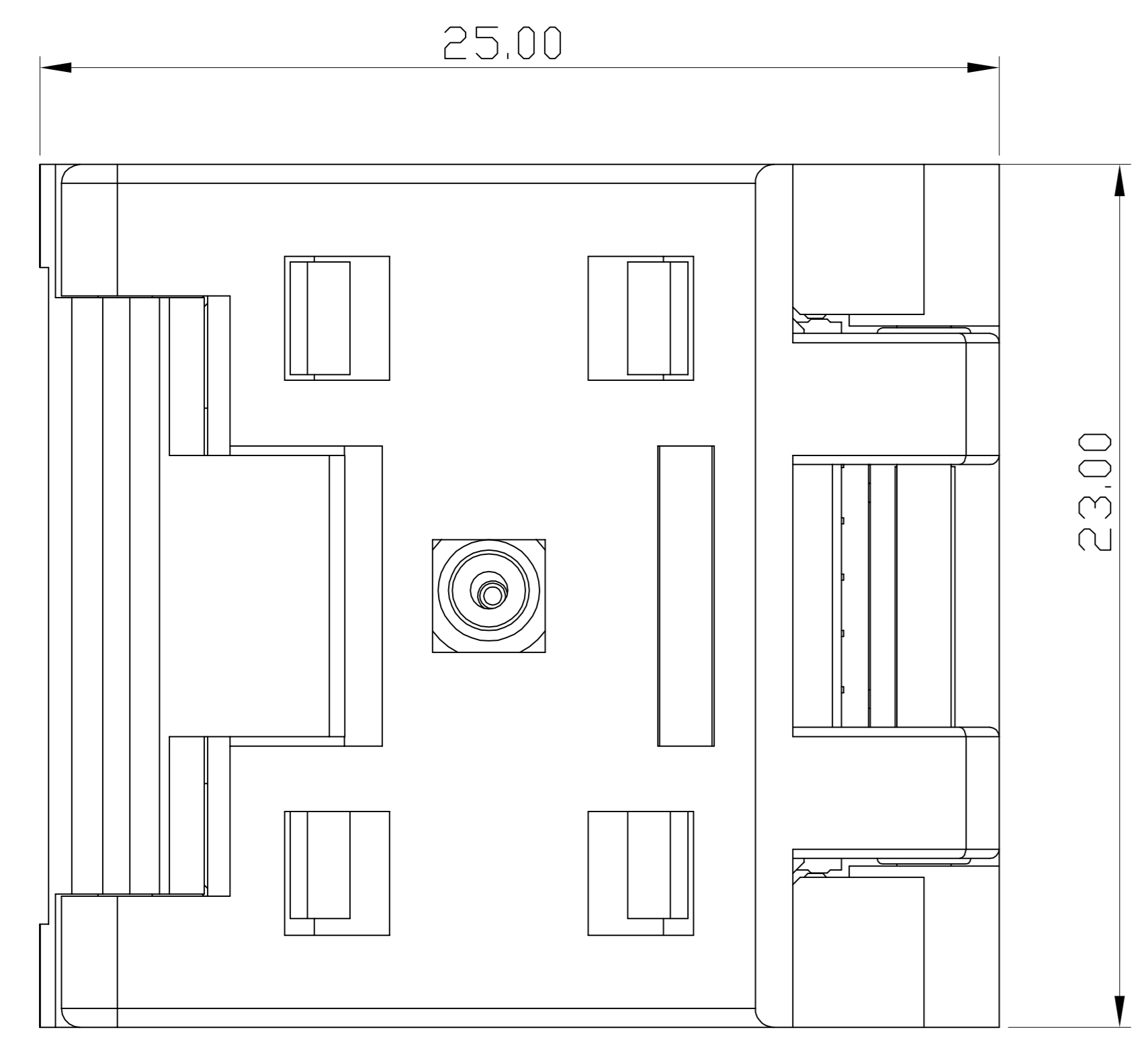


## Applicable IC

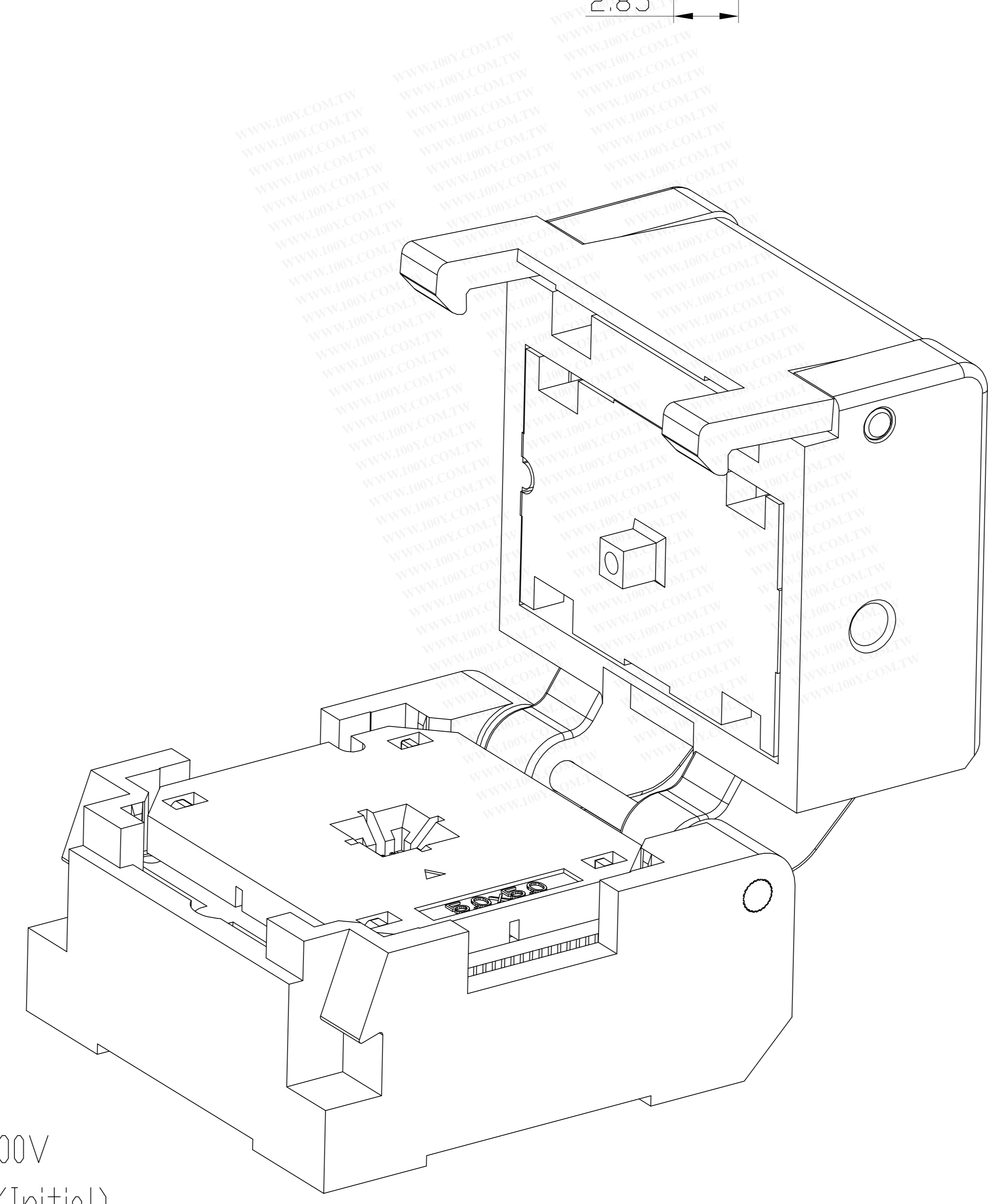
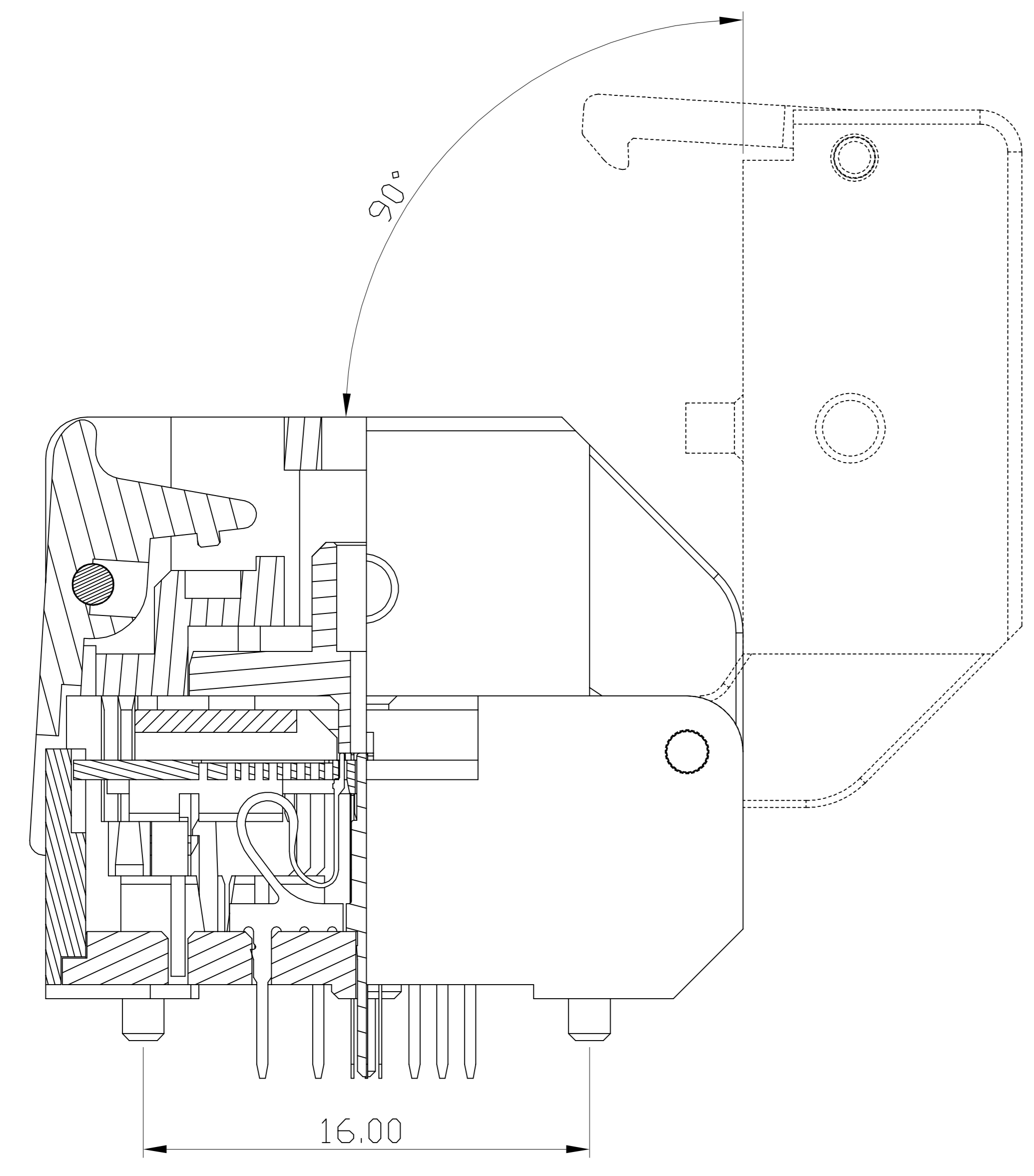
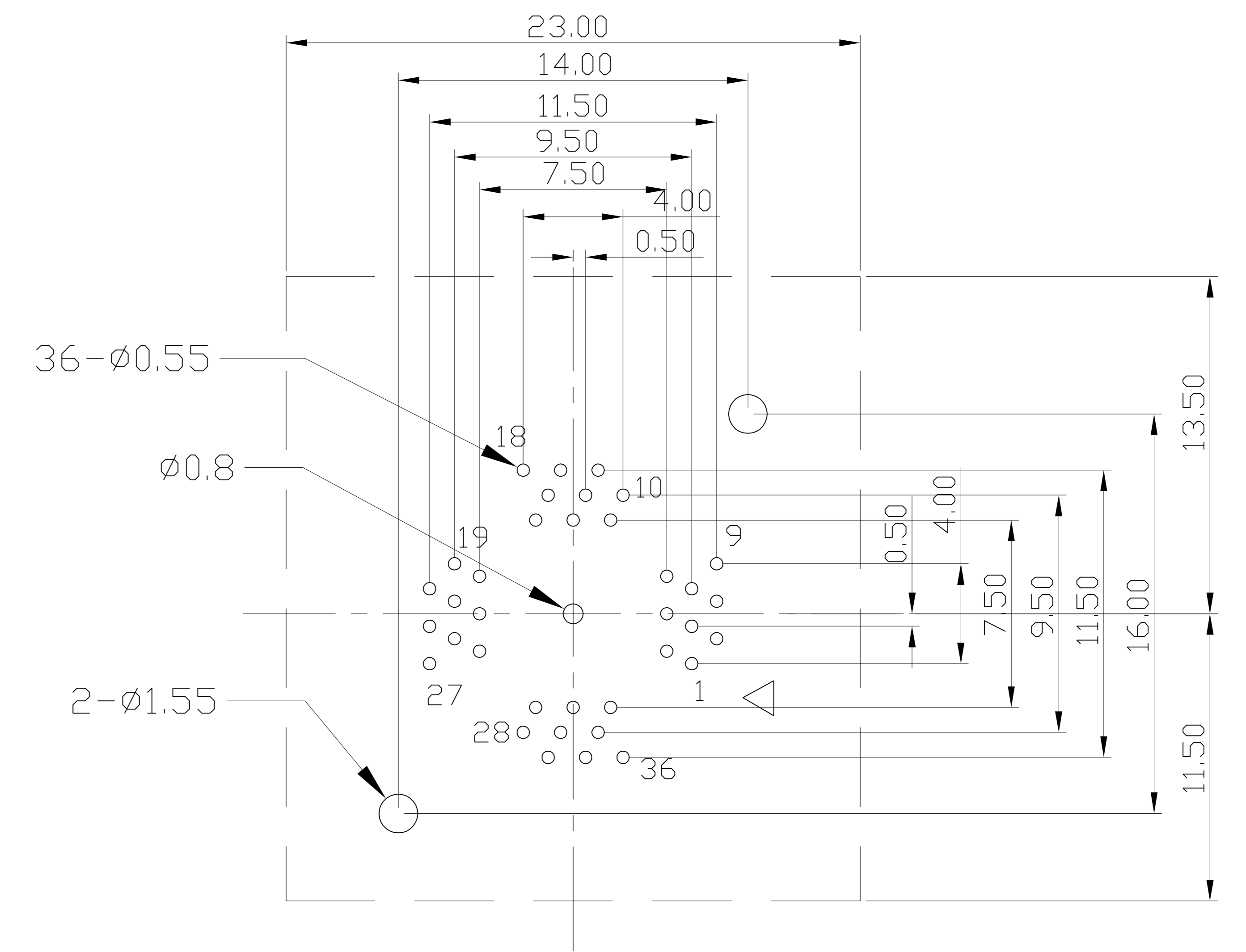


PROJECTION		GENERAL TOLERANCES	±0.10	TITLE	QFN36-0.5 SOCKET
DIMENSION:	mm	R E V	A	CLASS	7L-24036B-101
APP:		SCALE:	1:1	DRW. NO	7L-PWQFN-0.5-36-B-01
CHECK:		DATE:			
DECK:		DATE:	20120822		

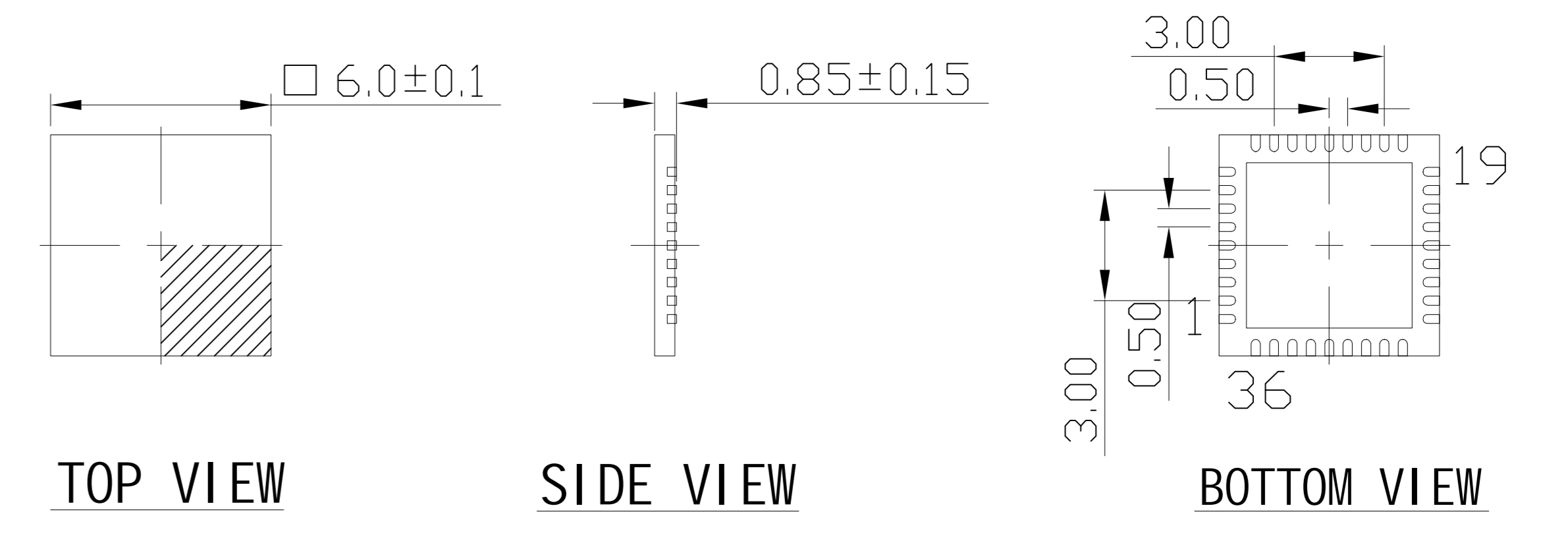
REVISION	DESCRIPTION	CHECK	APP	DATE	REV. NOTICE. NO
△ 1					
△ 2					
△ 3					



PCB Pattern(TOP View)



Applicable IC

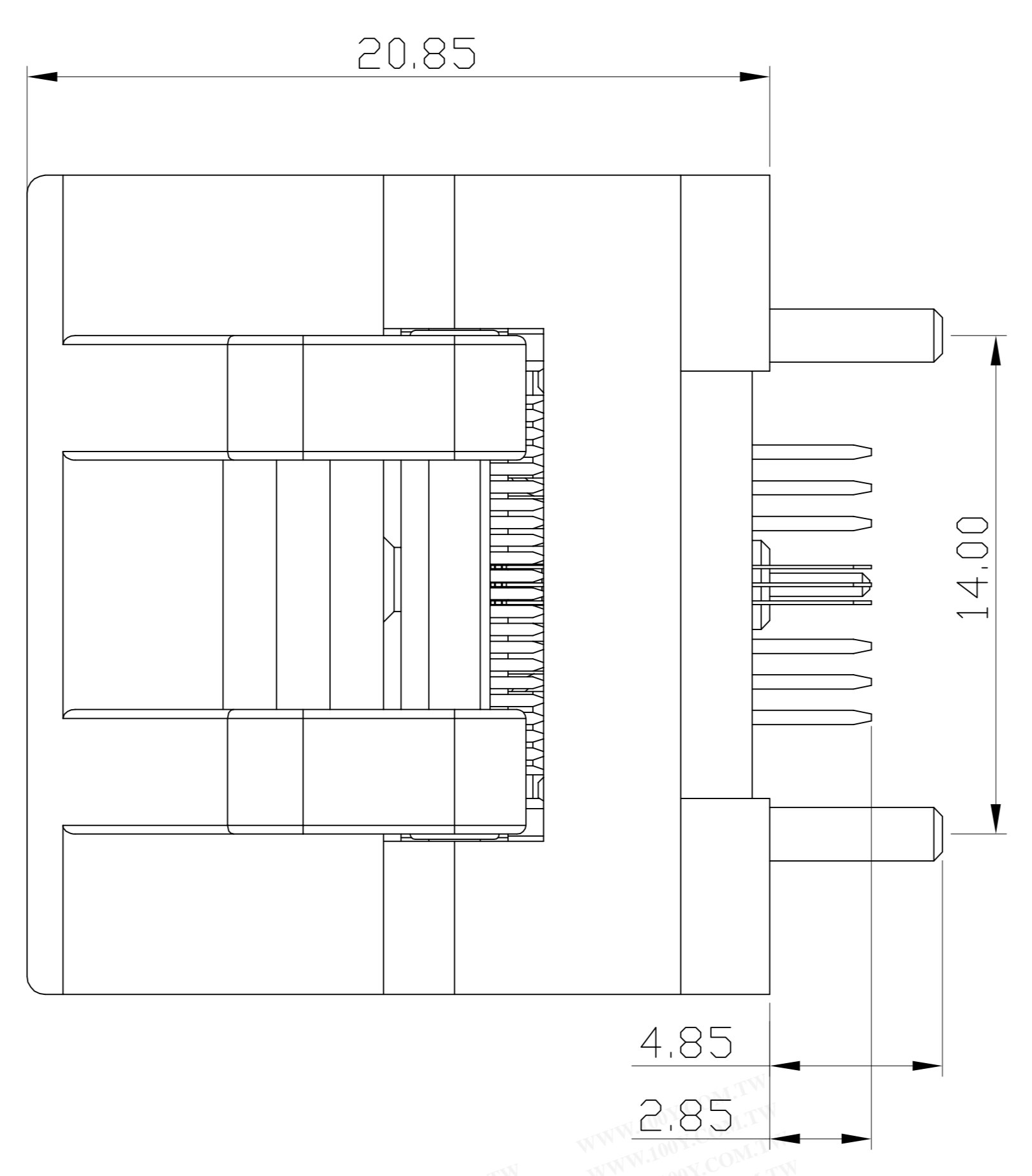
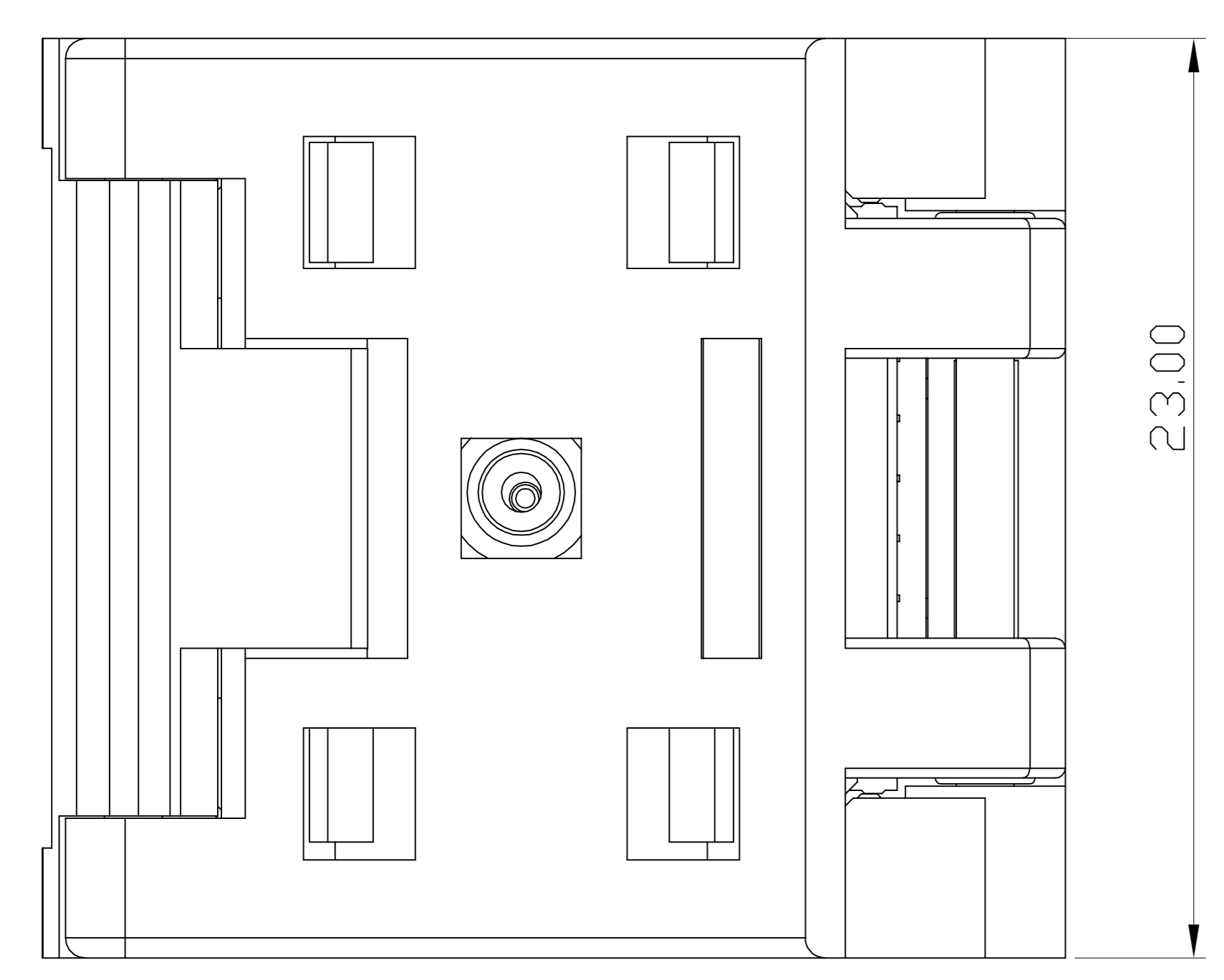


PERFORMANCE

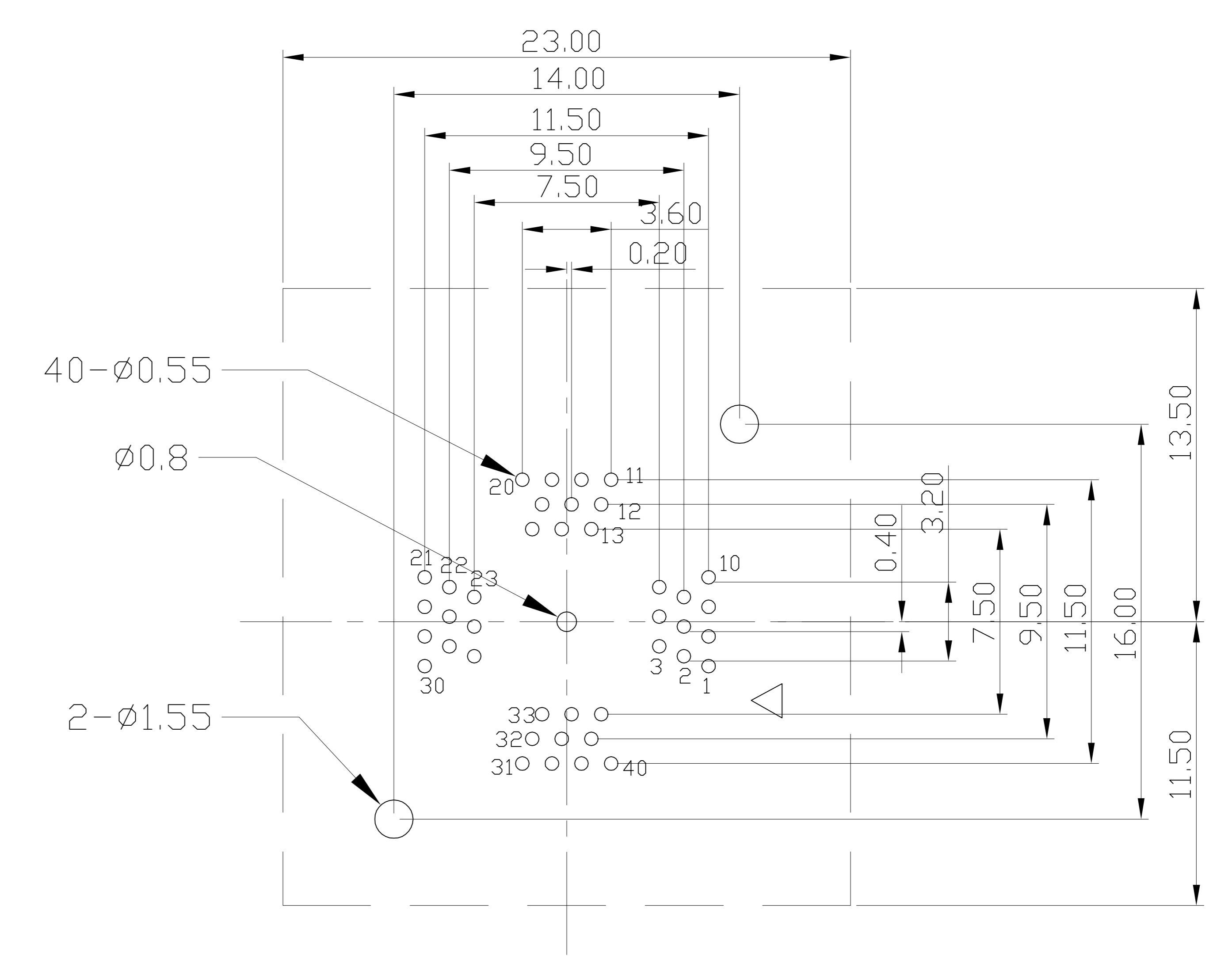
- 1、Insulation Resistance: 1000M $\Omega$  Min.At DC 500V
- 2、Dielectric Withstanding Voltage For 1 Minute At AC 700V
- 3、Contact Resistance 30m $\Omega$  MAX. at 10mA and 20mV MAX.(Initial)
- 4、Current Rating: 1A max.
- 5、Operation Temperature -40°C ~+155°C
- 6、Life Span 15,000 Times (Mechanical)
- 7、Operation Force 2.0 Kg MAX

TOLERANCE	PROJECTION	GENERAL TOLERANCES	±0.10	TITLE	QFN36-0.5 SOCKET
X.	± 0.50	DIMENSION: mm	SCALE: 1:1	CLASS	QFN36-0.5-CP01GT
X.X	± 0.25	APP:	DATE:		6U-PWQFN-0.5-36-6X6-01
X.XX	± 0.10	CHECK:	DATE:		
X.XXX	± 0.05	DEGK: ENG03	DATE: 20150606		

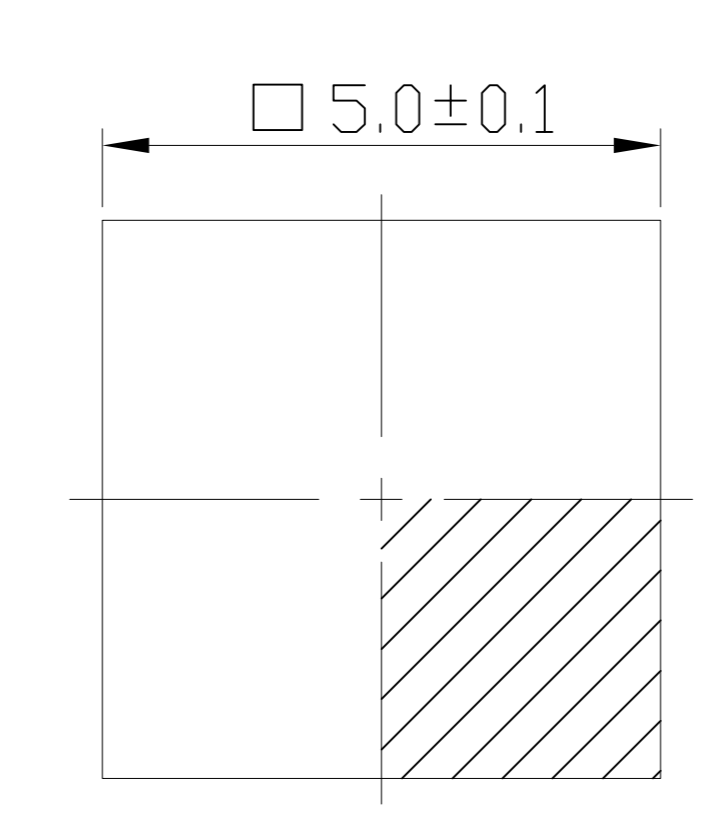
REVISION	DESCRIPTION	CHECK	APP	DATE	REV. NOTICE. NO
△ 1					
△ 2					
△ 3					



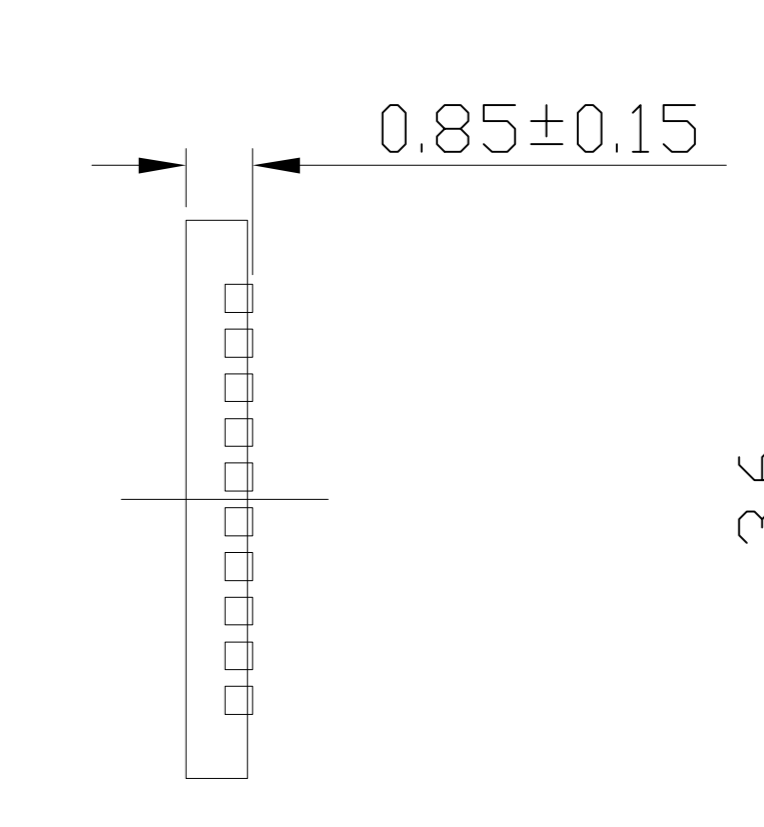
PCB Pattern(TOP View)



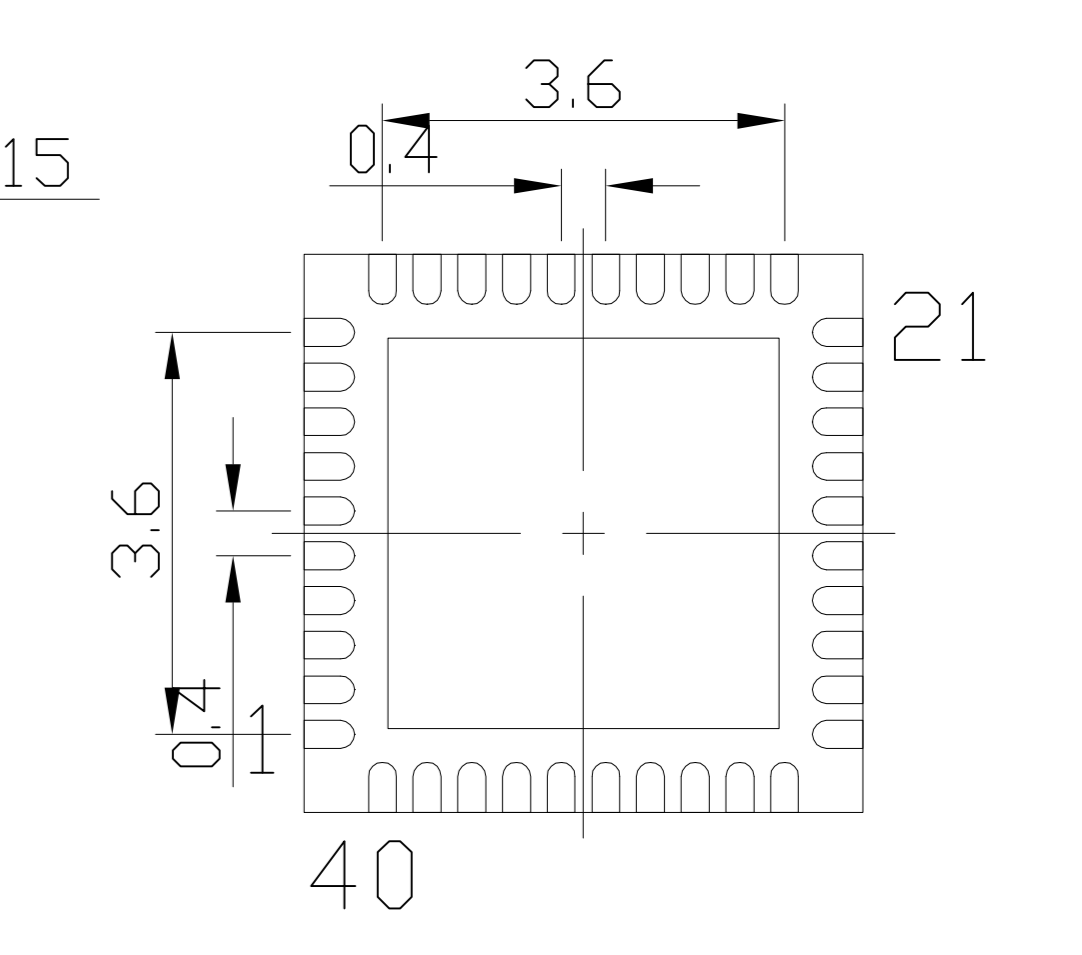
Applicable IC



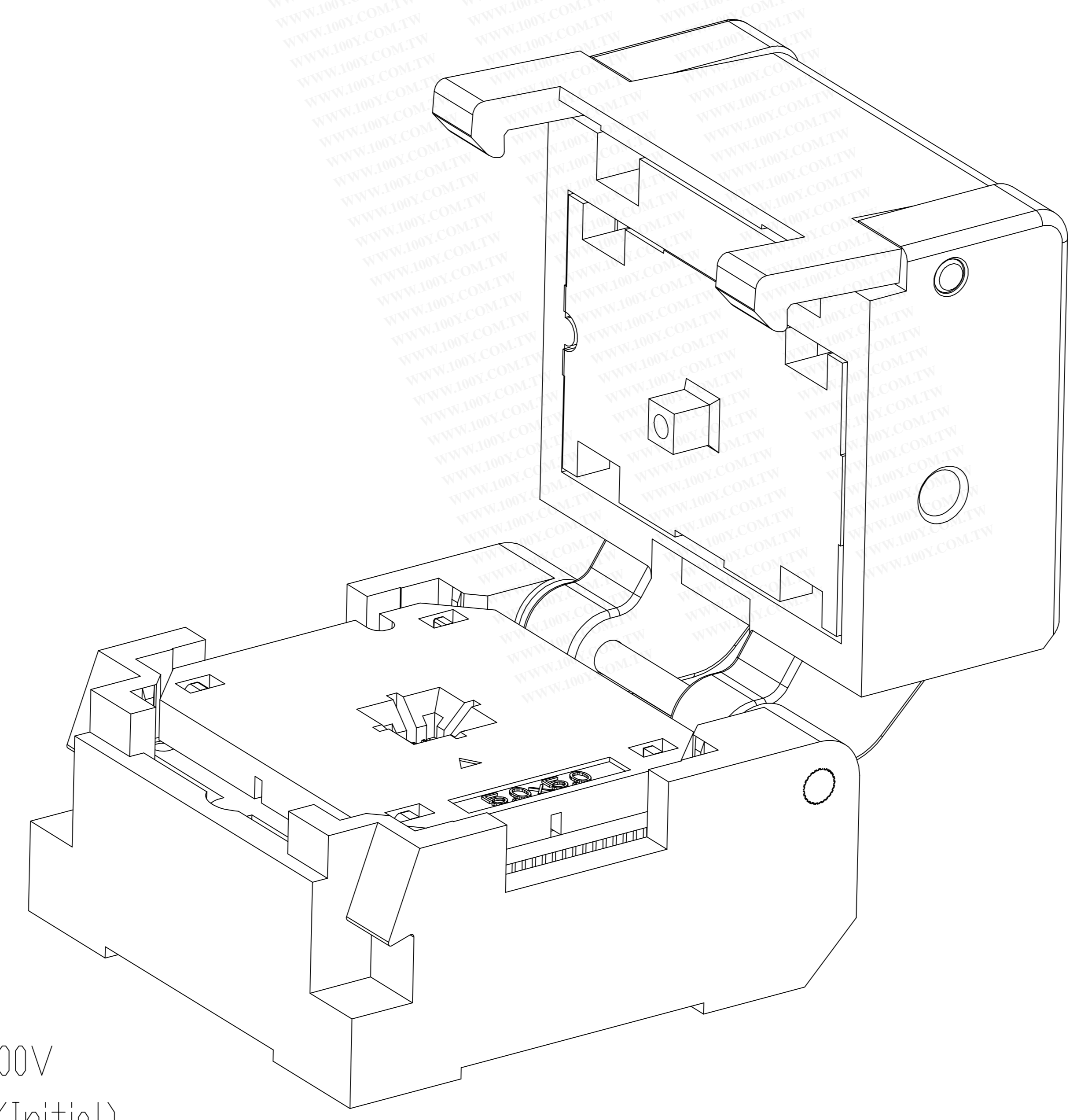
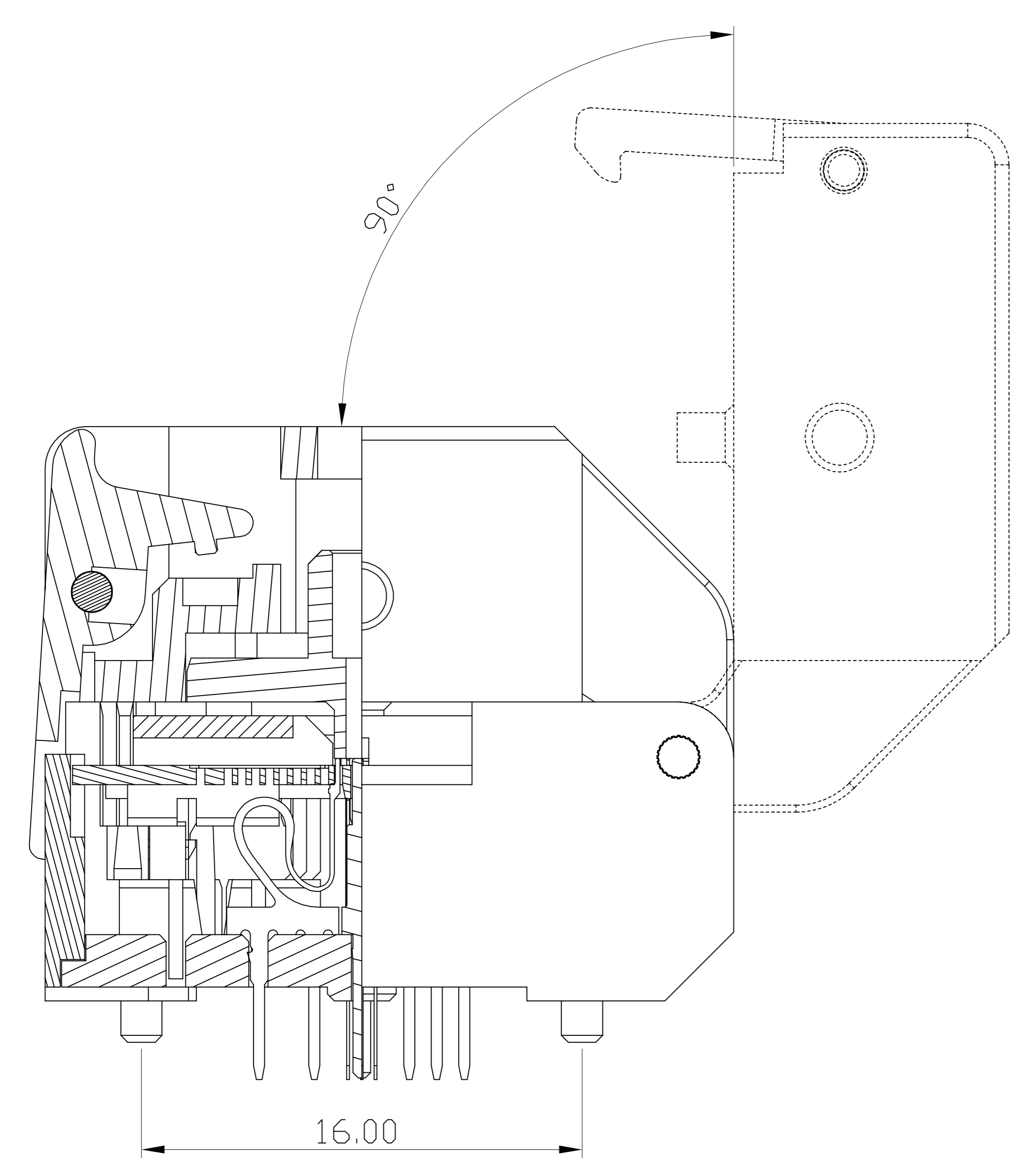
TOP VIEW



SIDE VIEW



BOTTOM VIEW



PERFORMANCE

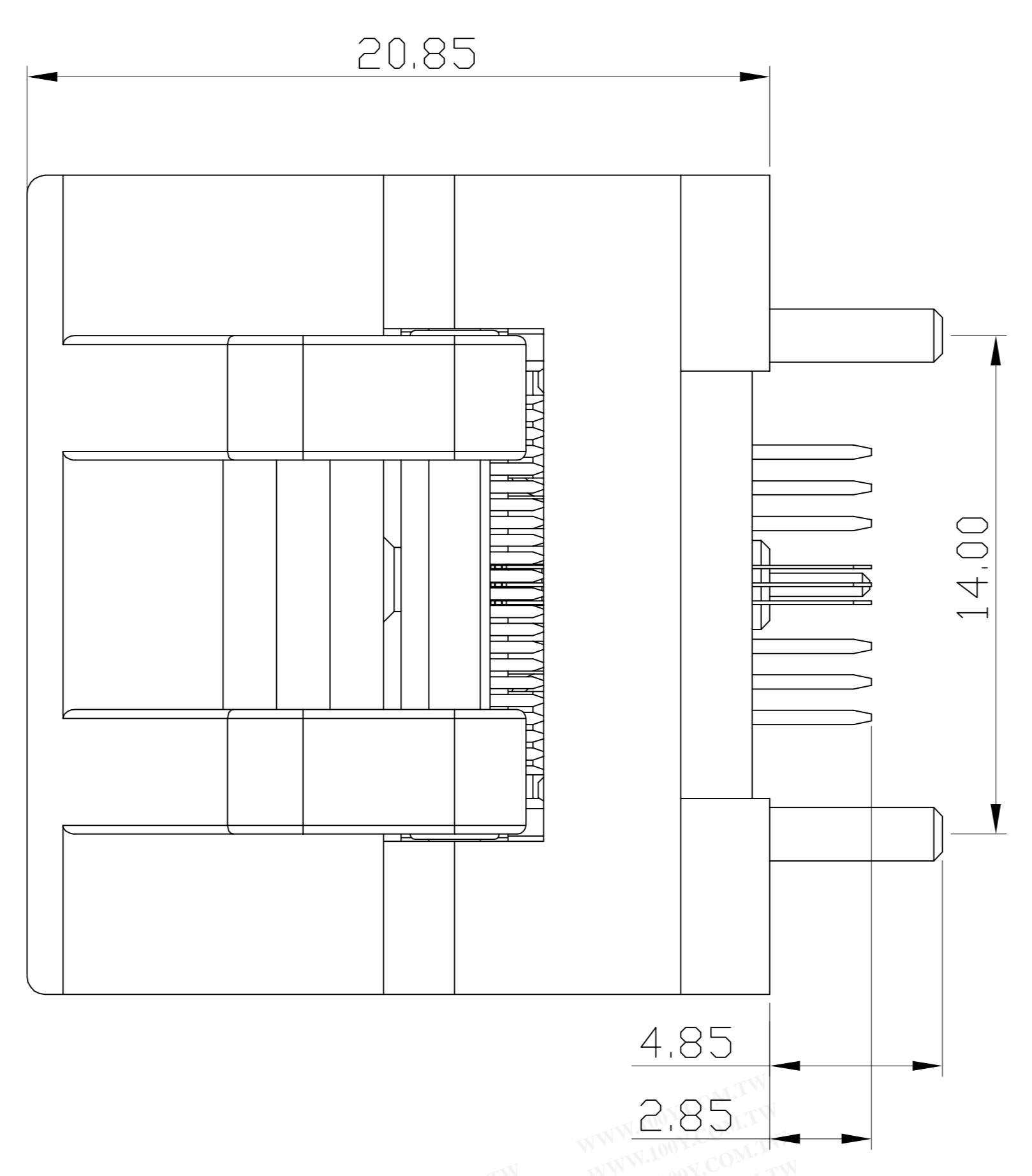
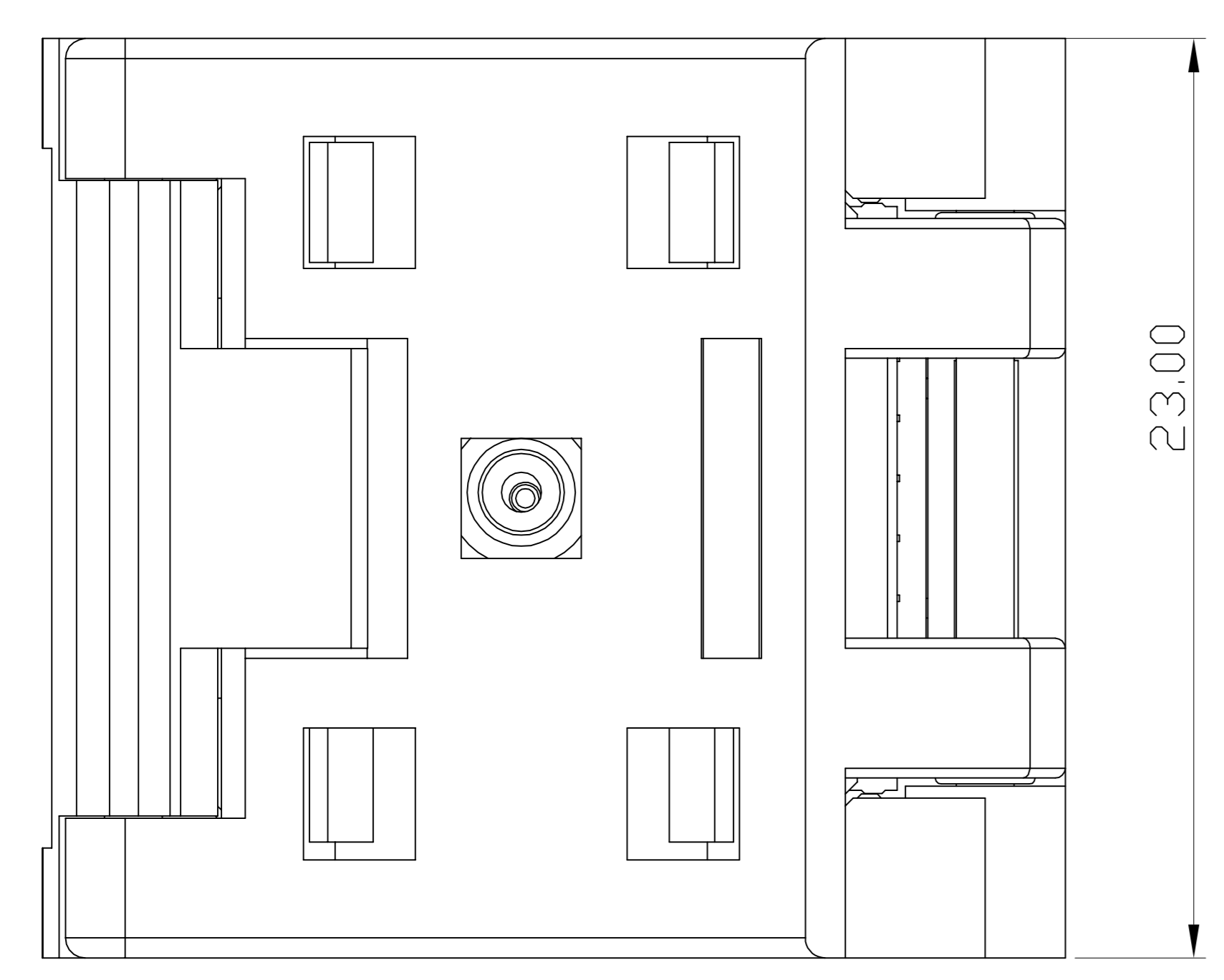
- 1、Insulation Resistance: 1000MΩ Min.At DC 500V
- 2、Dielectric Withstanding Voltage For 1 Minute At AC 700V
- 3、Contact Resistance 30mΩ MAX. at 10mA and 20mV MAX.(Initial)
- 4、Current Rating: 1A max.
- 5、Operation Temperature -55°C ~+175°C
- 6、Life Span 15,000 Times (Mechanical)
- 7、Operation Force 2.0 Kg MAX

TOLERANCE	PROJECTION	GENERAL TOLERANCES	±0.10	TITLE	QFN40-0.4 SOCKET
X.	± 0.50	DIMENSION: mm	SCALE: 1:1	CLASS	<b>QFN40-0.4-CPO1GT</b>
X.X	± 0.25	APP:	DATE:	DRW. NO	6U-PWQFN-0.4-40-5X5-01
X.XX	± 0.10	CHECK:	DATE:		
X.XXX	± 0.05	DEGK: ENG03	DATE: 20150606		

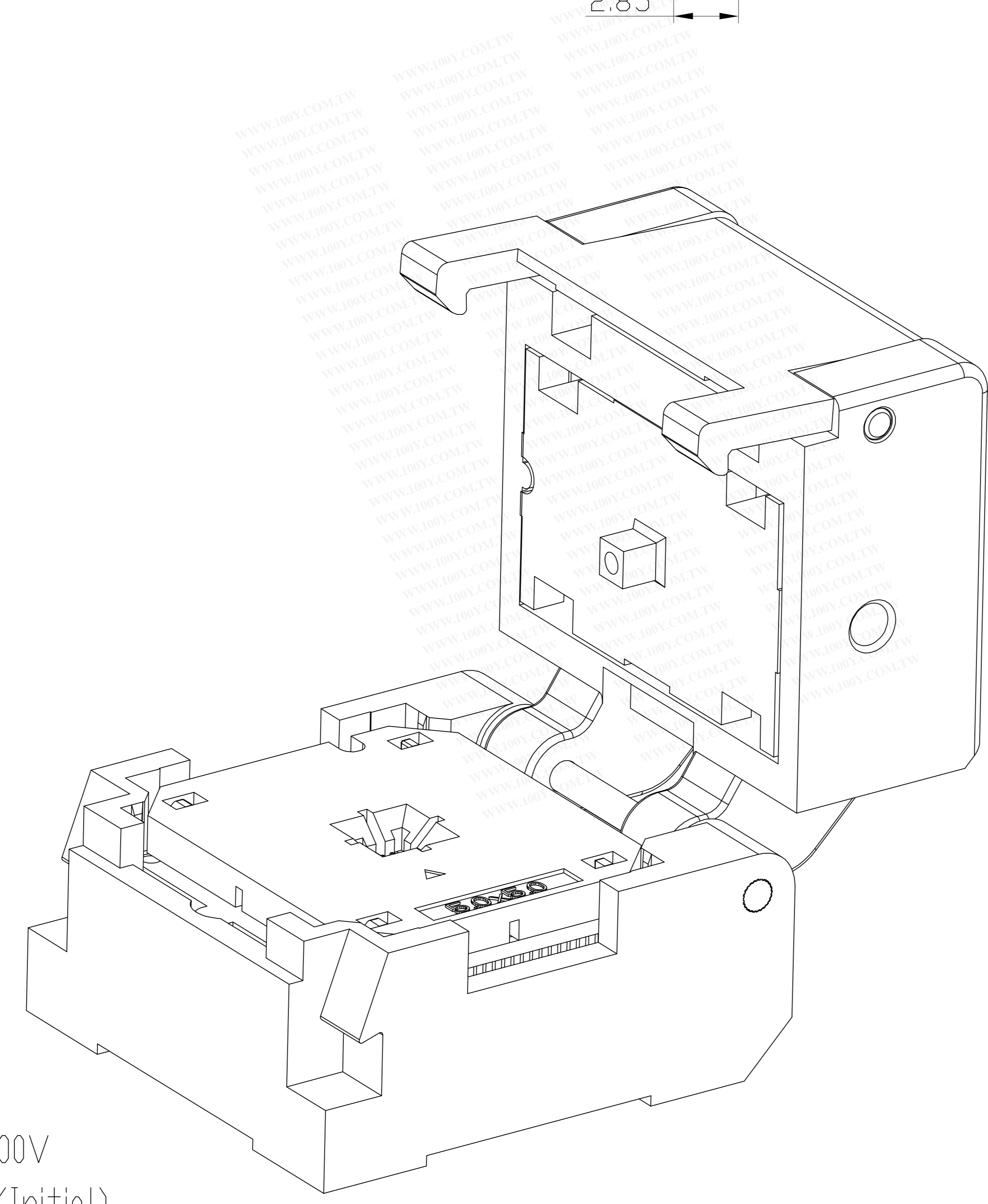
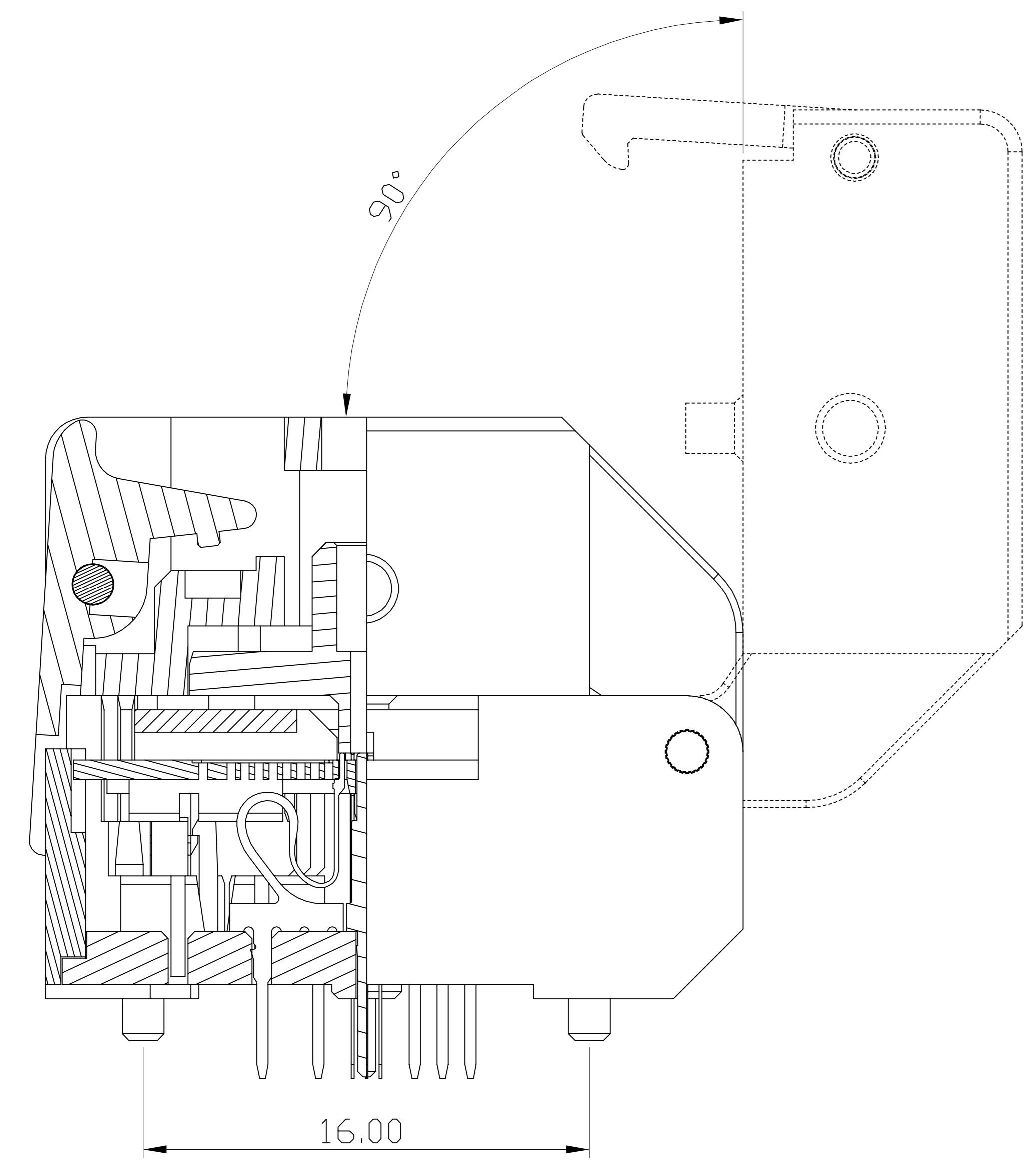
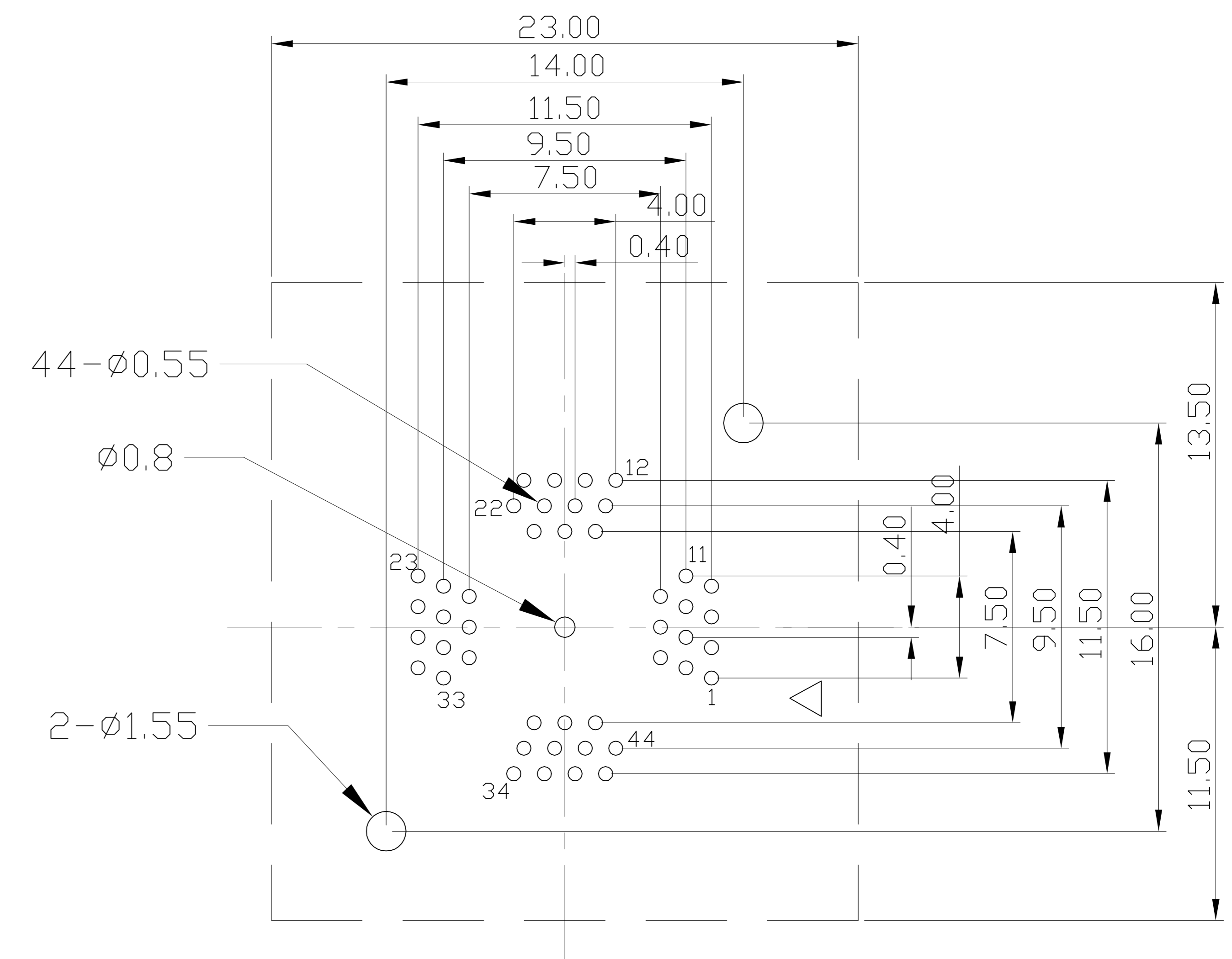




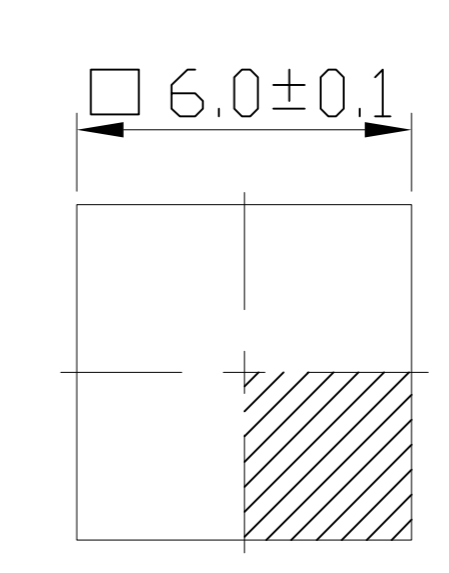
REVISION	DESCRIPTION	CHECK	APP	DATE	REV. NOTICE. NO
△ 1					
△ 2					
△ 3					



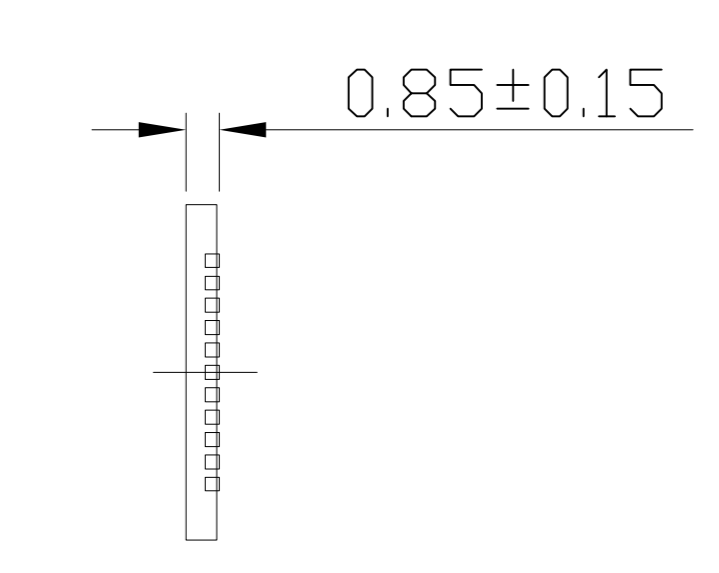
PCB Pattern(TOP View)



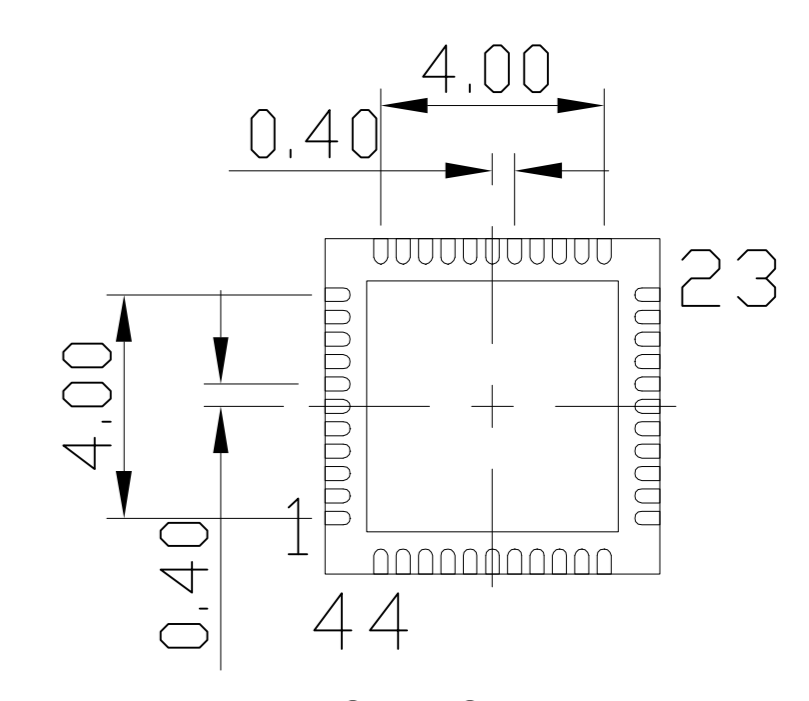
Applicable IC



TOP VIEW



SIDE VIEW



BOTTOM VIEW

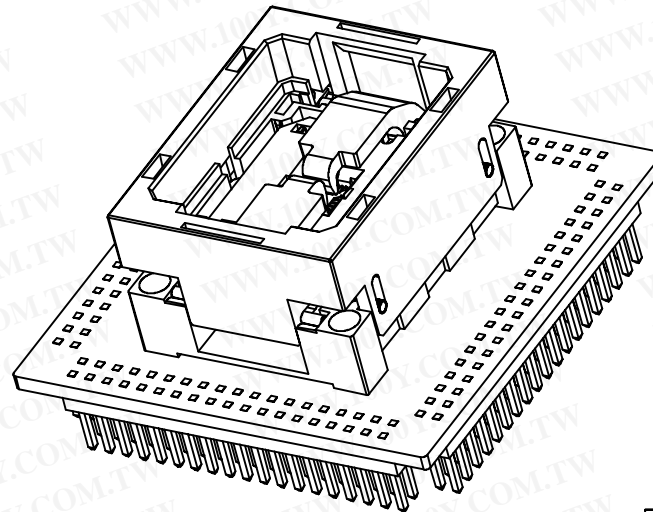
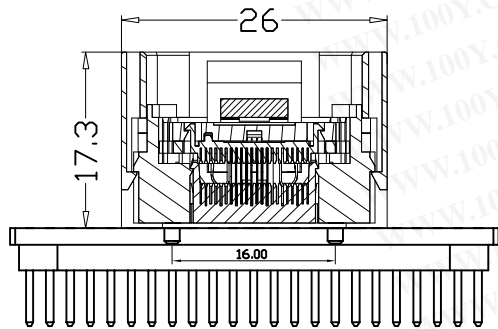
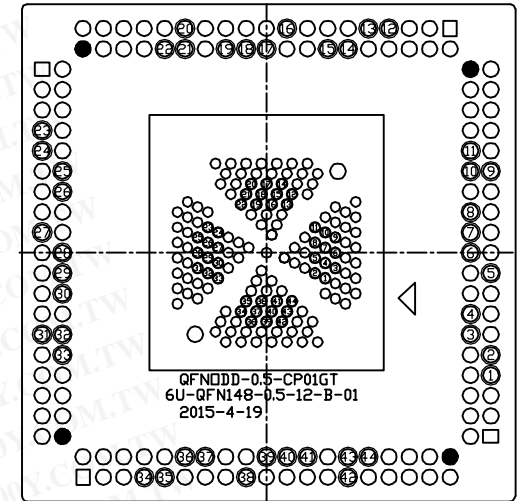
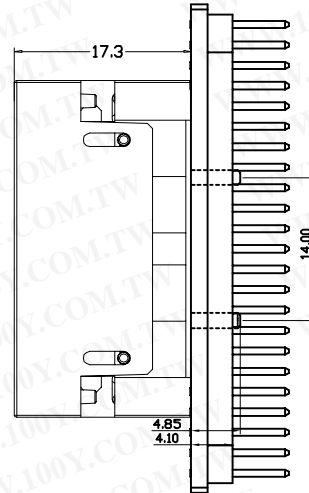
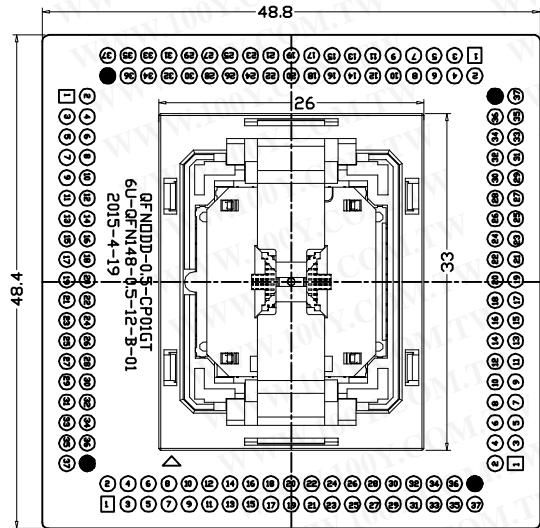
PERFORMANCE

1. Insulation Resistance: 1000MΩ Min.At DC 500V
2. Dielectric Withstanding Voltage For 1 Minute At AC 700V
3. Contact Resistance 30mΩ MAX. at 10mA and 20mV MAX.(Initial)
4. Current Rating: 1A max.
5. Operation Temperature -55°C ~+175°C
6. Life Span 15,000 Times (Mechanical)
7. Operation Force 2.0 Kg MAX

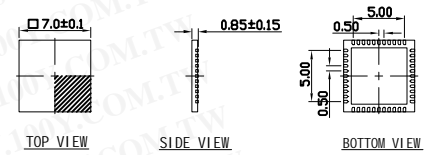
TOLERANCE	PROJECTION	GENERAL TOLERANCES	±0.10	TITLE	QFN44-0.4 SOCKET
X.	± 0.50	DIMENSION: mm	SCALE: 1:1	CLASS	QFN44 -0.4-CP01GT
X.X	± 0.25	APP:	DATE:	DRW. NO	6U-PWQFN-0.4-44-6X6-01
X.XX	± 0.10	CHECK:	DATE:		
X.XXX	± 0.05	DEGK: ENG03	DATE: 20150606		

REVISION	DESCRIPTION	CHECK	APP	DATE	REV. NOTICE. NO
△1					
△2					
△3					

# QFN 奇数万能转接板连线图

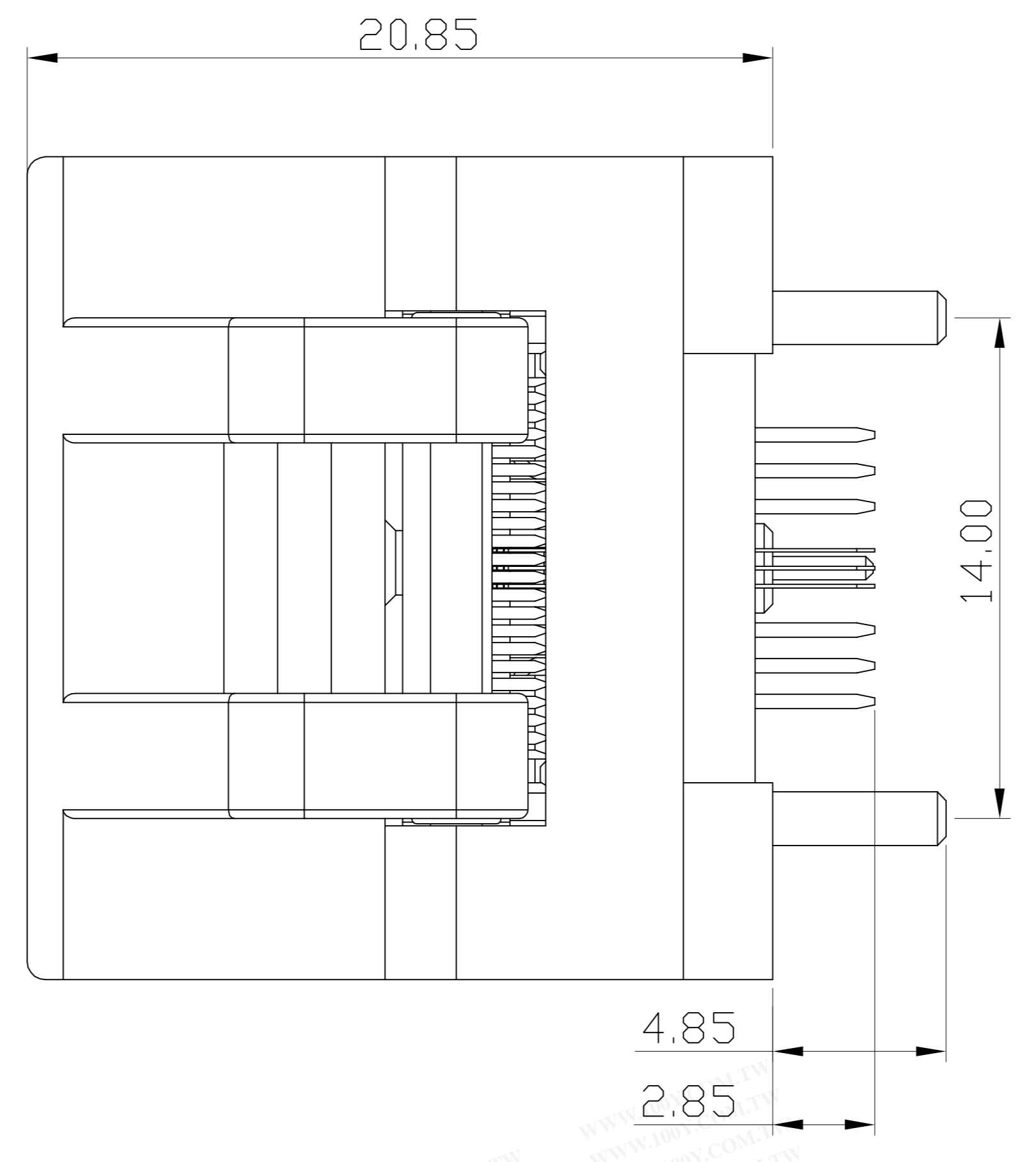
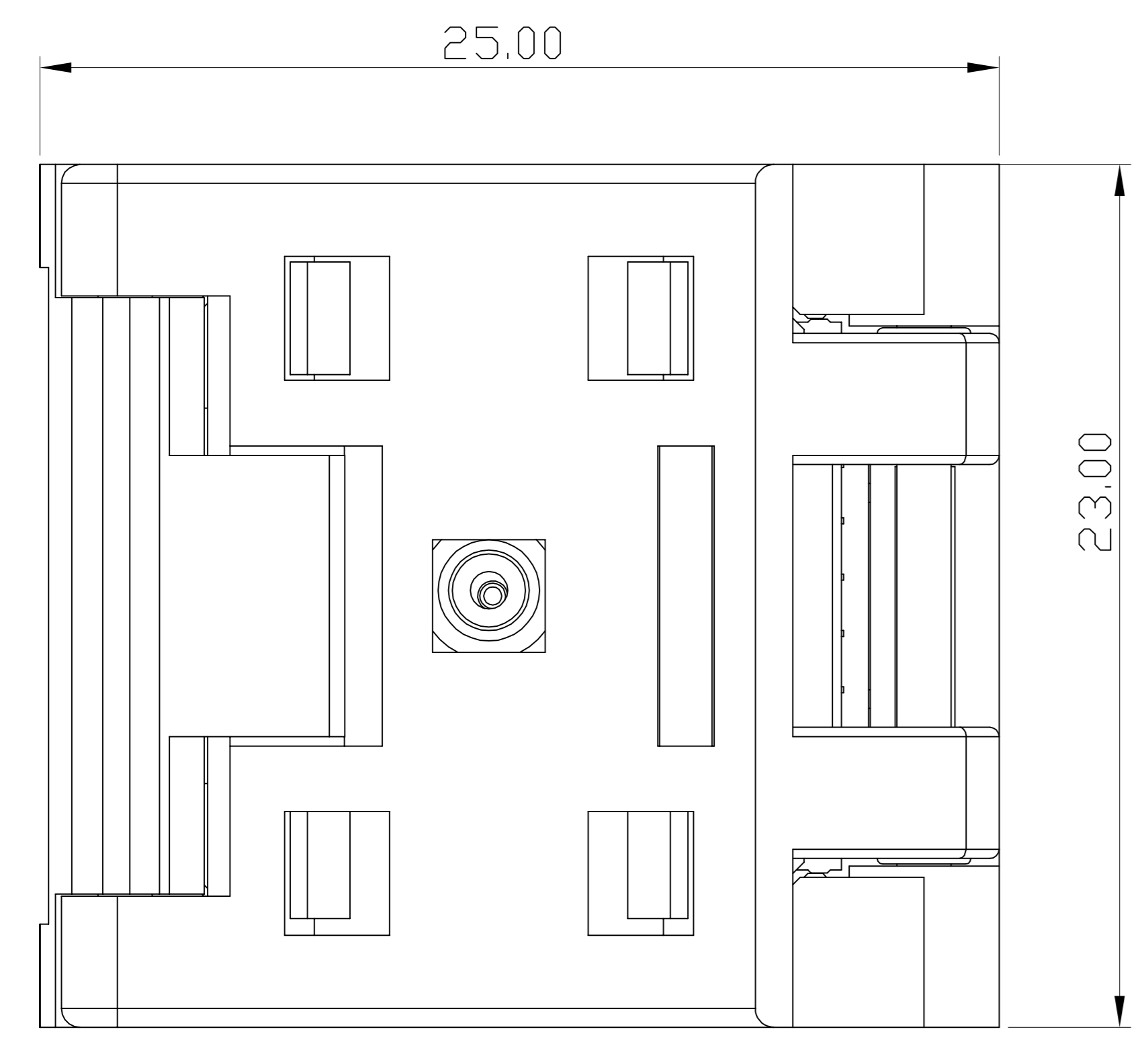


## Applicable IC

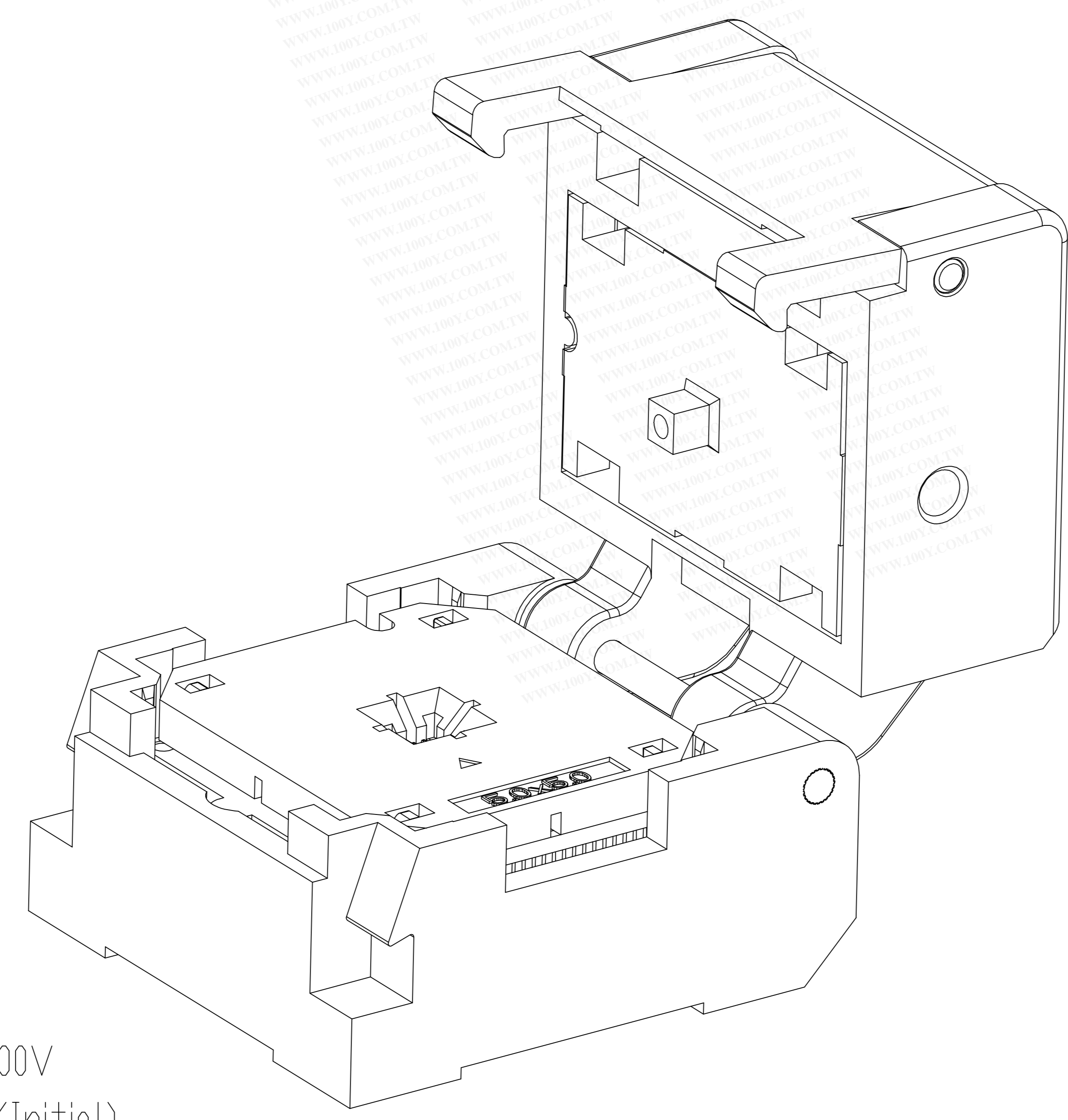
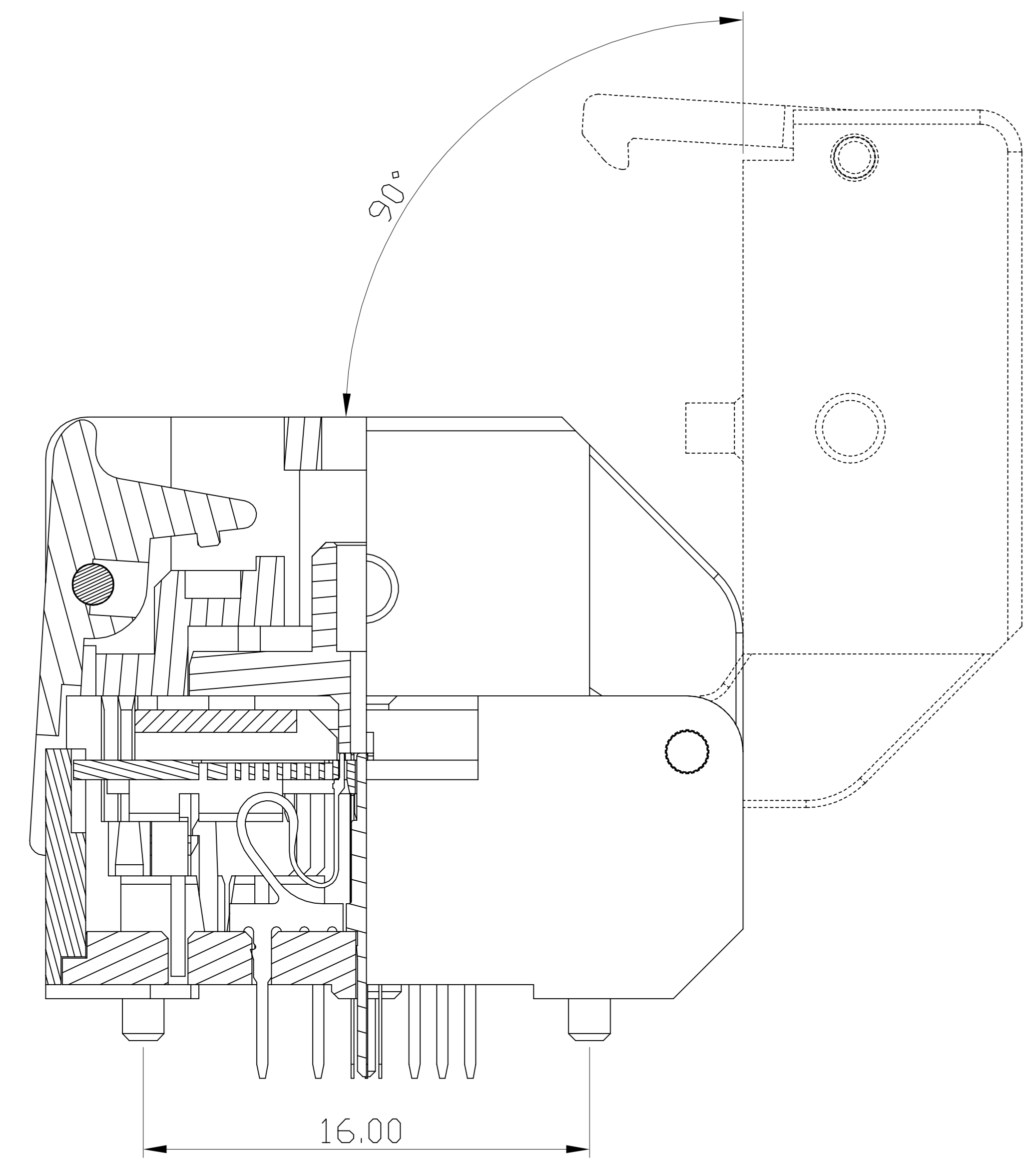
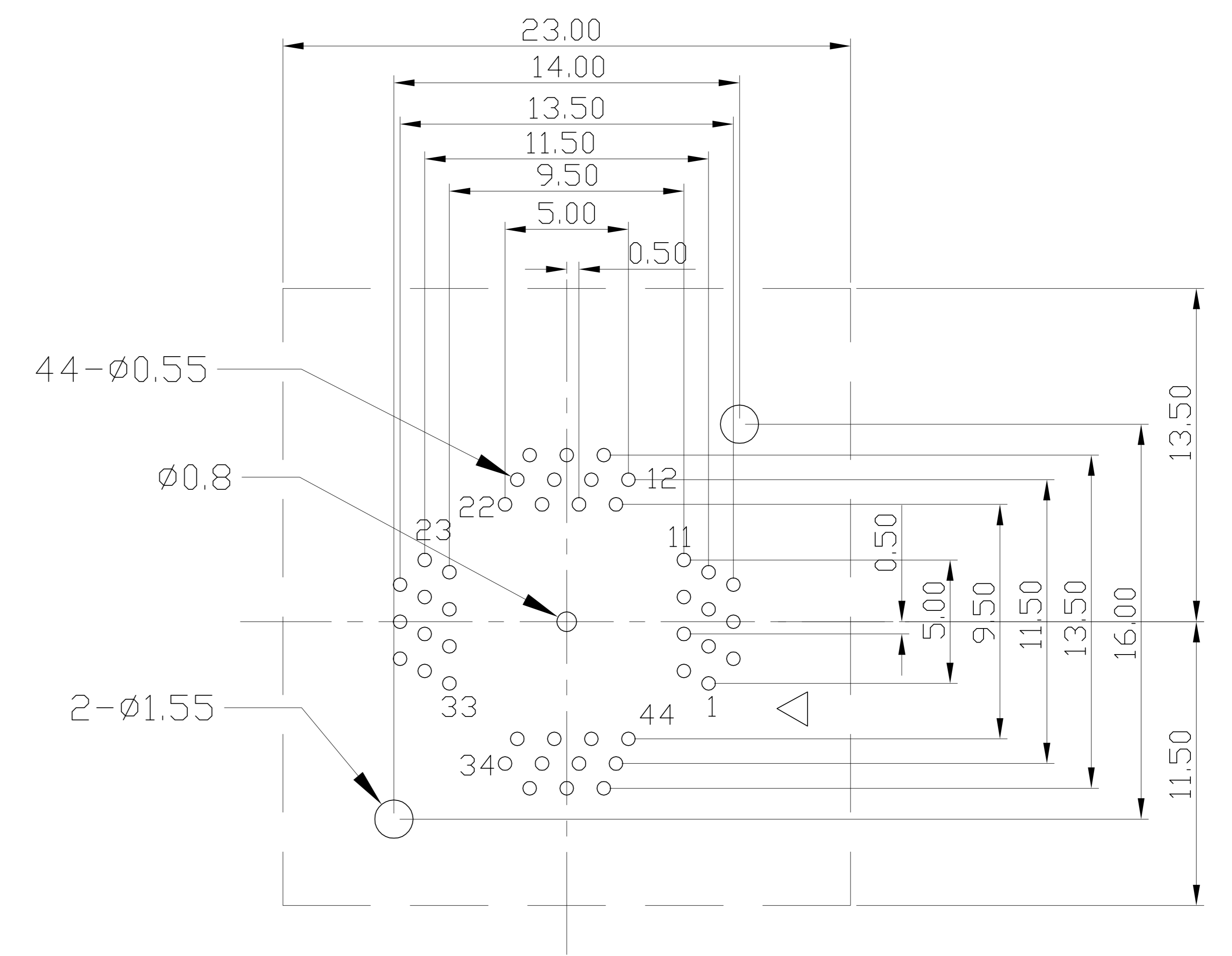


PROJECTION		GENERAL TOLERANCES	±0.10	TITLE	QFN44-0.5 SOCKET
		R E V	A	CLASS	7L-24044B-101
DIMENSION:	mm	SCALE:	1:1	DRW. NO	7L-PWQFN-0.5-44-B-01
APP:		DATE:			
CHECK:		DATE:			
DECK:		DATE:	20120822		

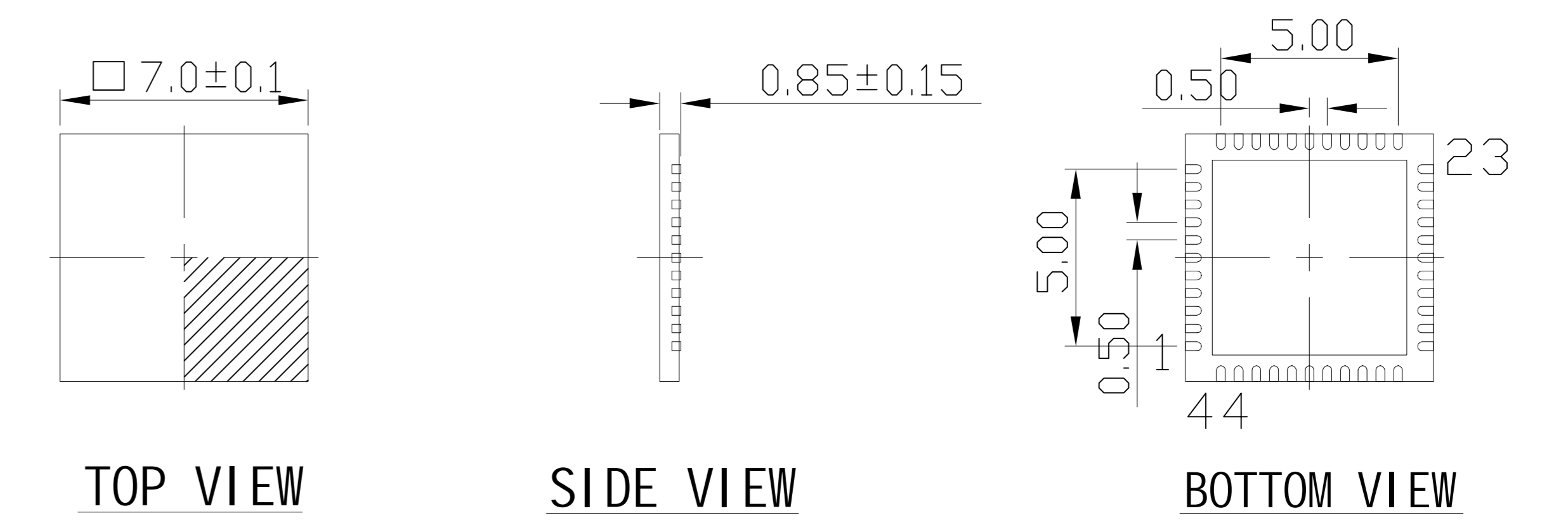
REVISION	DESCRIPTION	CHECK	APP	DATE	REV. NOTICE. NO
△ 1					
△ 2					
△ 3					



PCB Pattern(TOP View)



Applicable IC

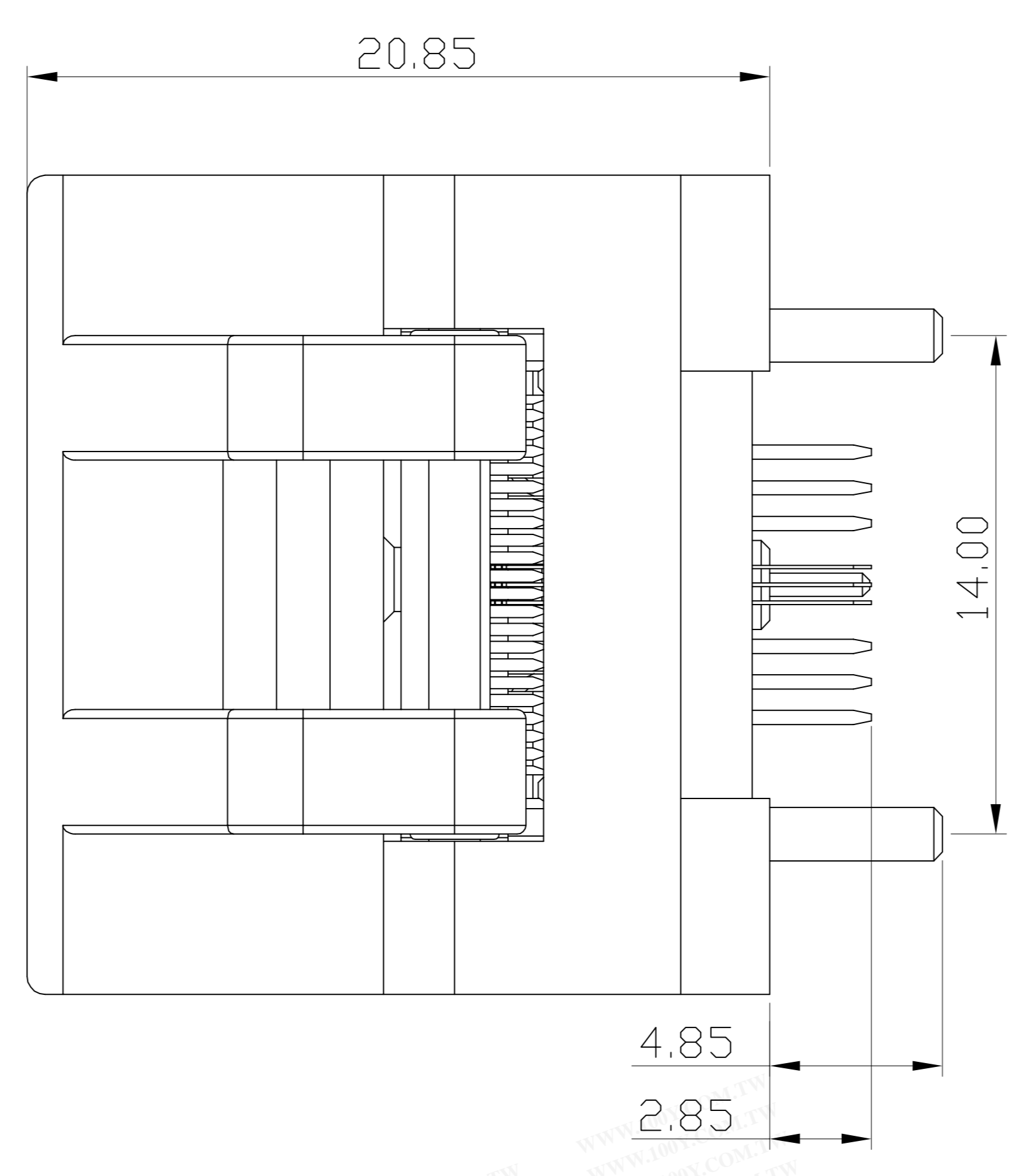
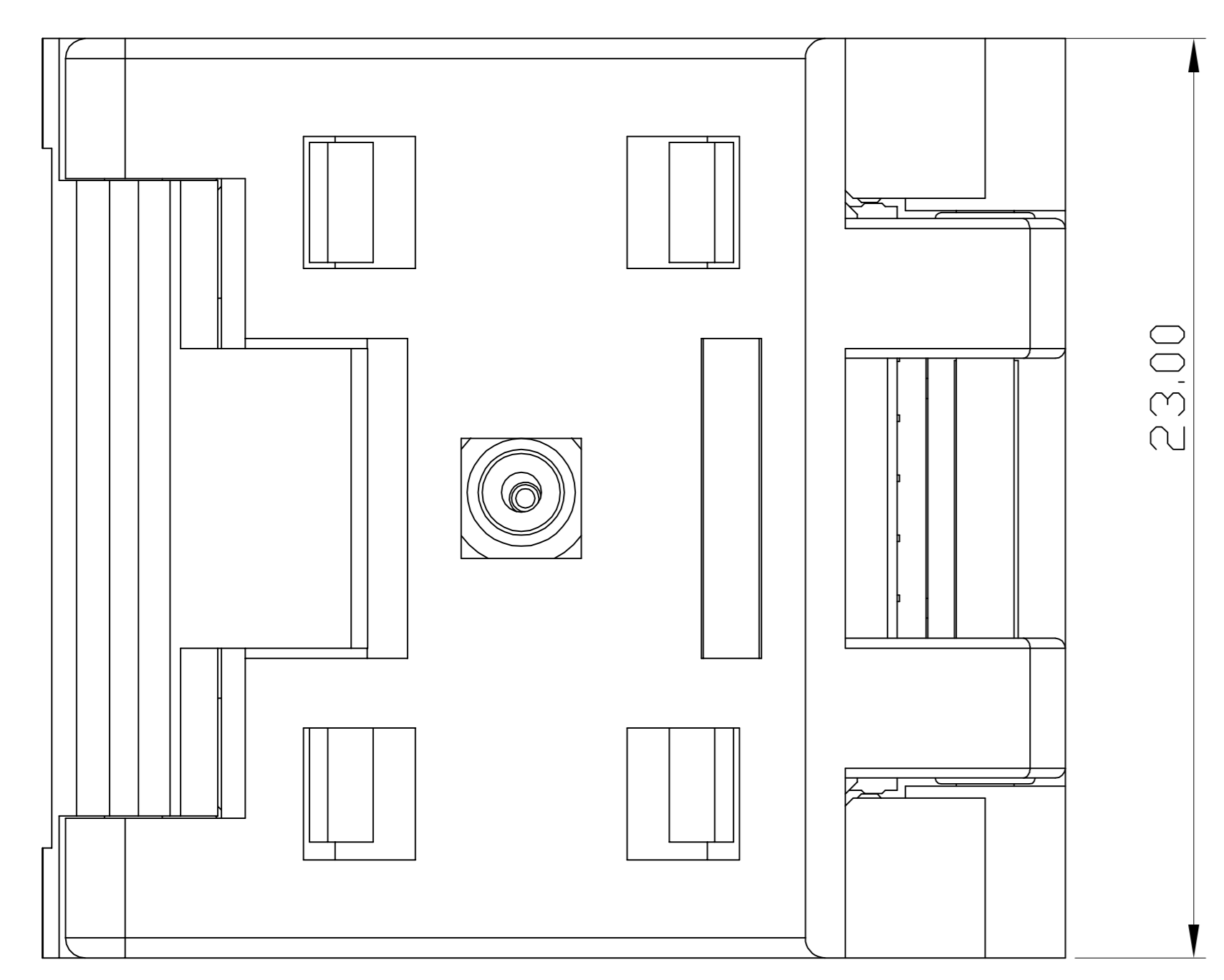


PERFORMANCE

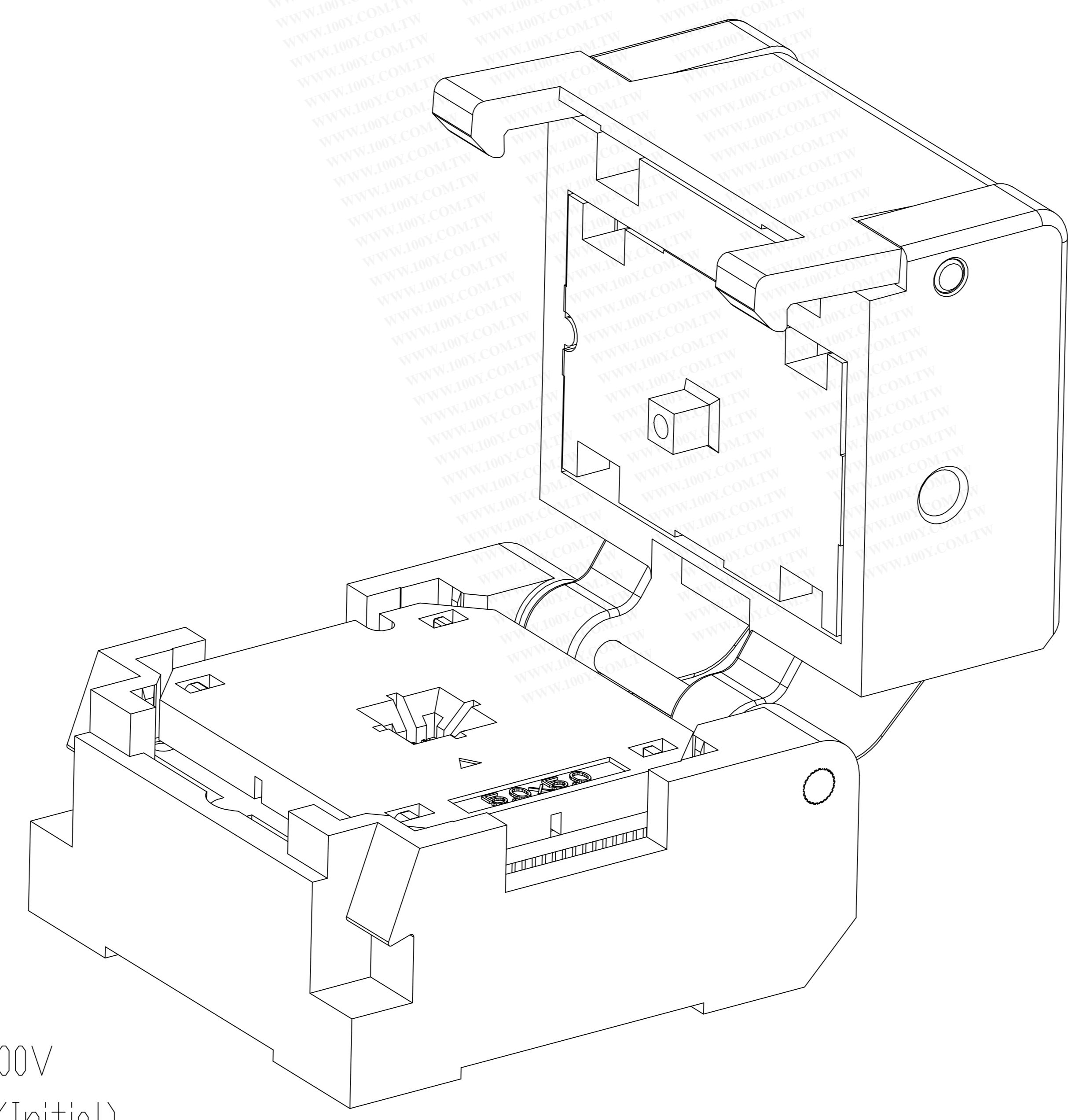
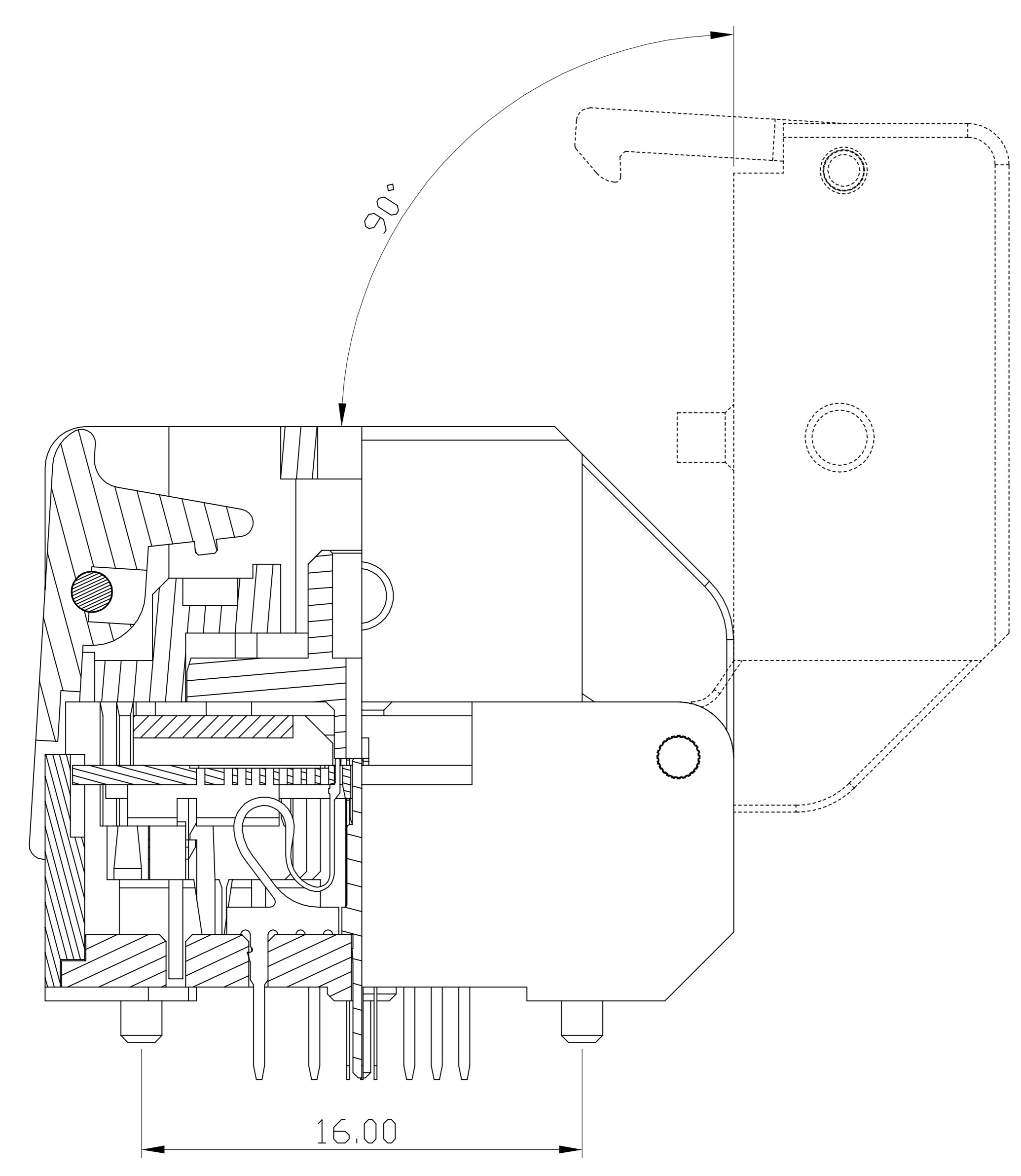
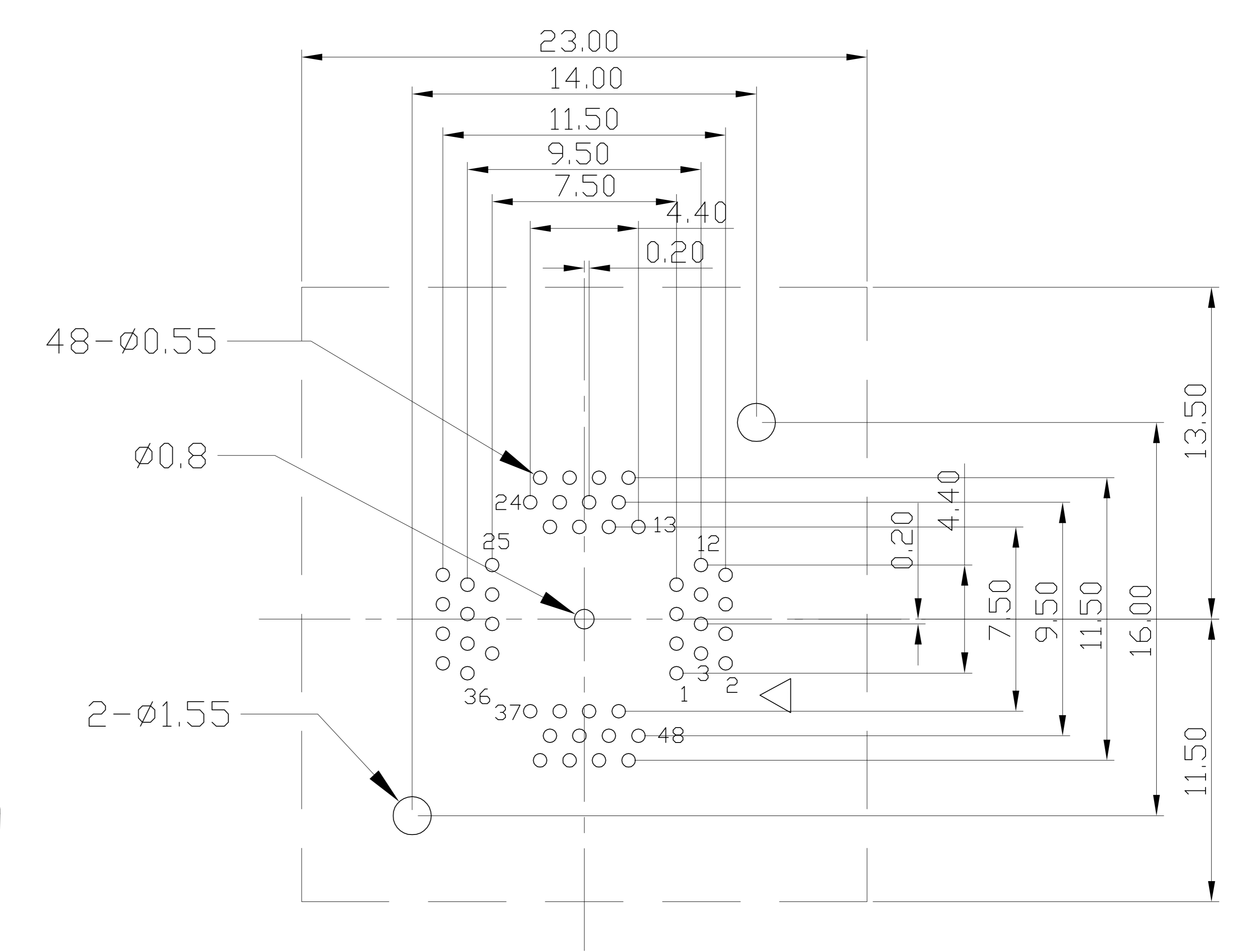
1. Insulation Resistance: 1000M $\Omega$  Min.At DC 500V
2. Dielectric Withstanding Voltage For 1 Minute At AC 700V
3. Contact Resistance 30m $\Omega$  MAX. at 10mA and 20mV MAX.(Initial)
4. Current Rating: 1A max.
5. Operation Temperature -40°C ~+155°C
6. Life Span 15,000 Times (Mechanical)
7. Operation Force 2.0 Kg MAX

TOLERANCE	PROJECTION	GENERAL TOLERANCES	±0.10	TITLE	QFN44-0.5 SOCKET
X.	± 0.50	DIMENSION: mm	SCALE: 1:1	CLASS	QFN44-0.5-CP01GT
X.X	± 0.25	APP:	DATE:	DRW. NO	6U-PWQFN-0.5-44-7X7-01
X.XX	± 0.10	CHECK:	DATE:		
X.XXX	± 0.05	DEGK: ENG03	DATE: 20150606		

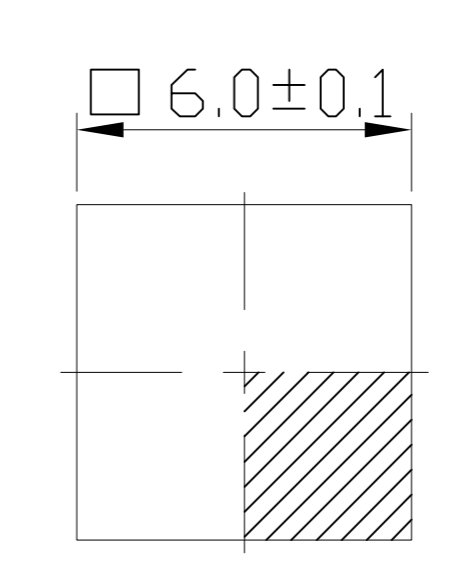
REVISION	DESCRIPTION	CHECK	APP	DATE	REV. NOTICE. NO
△ 1					
△ 2					
△ 3					



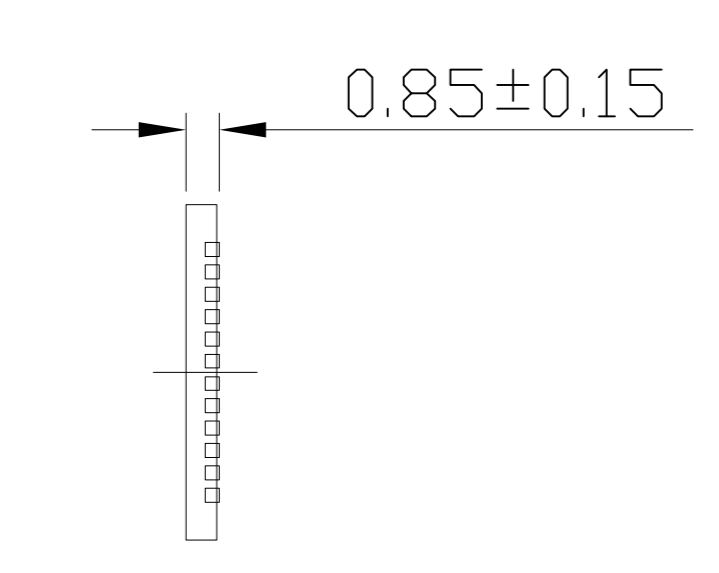
PCB Pattern(TOP View)



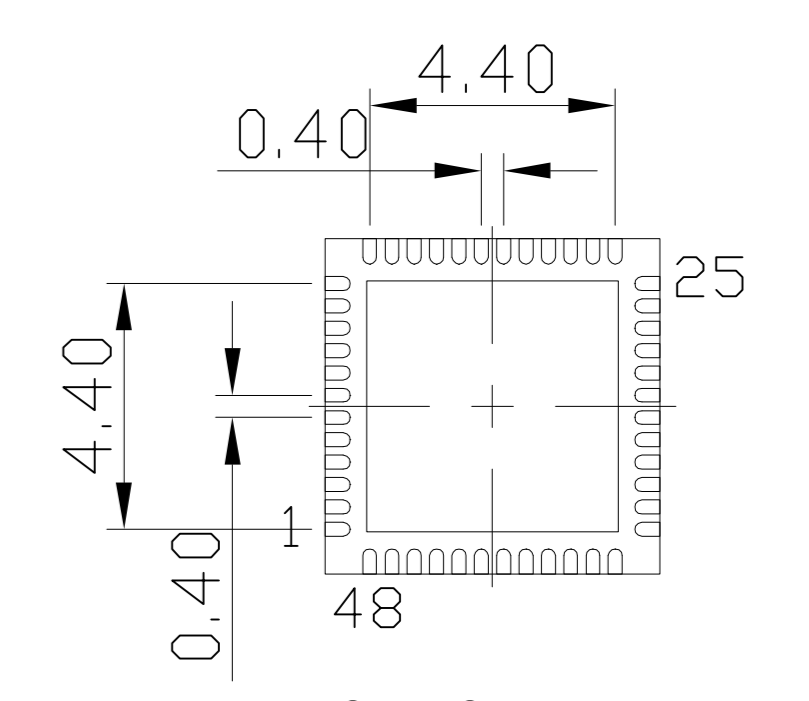
Applicable IC



TOP VIEW



SIDE VIEW



BOTTOM VIEW

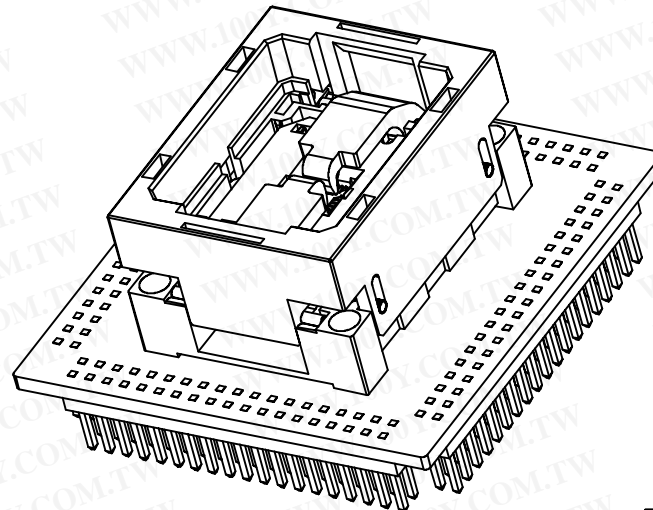
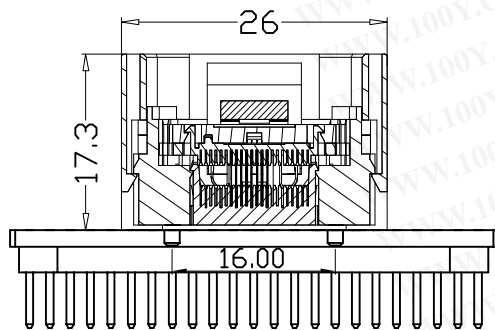
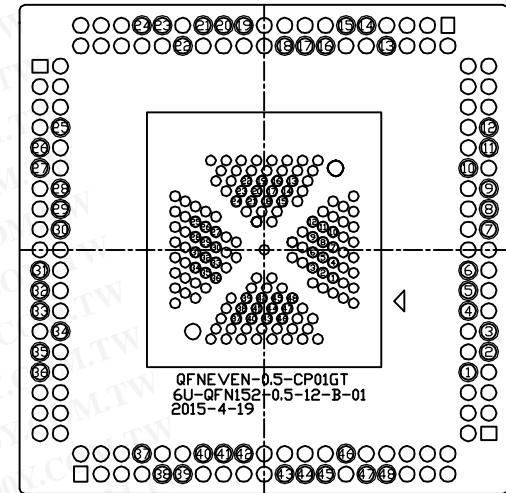
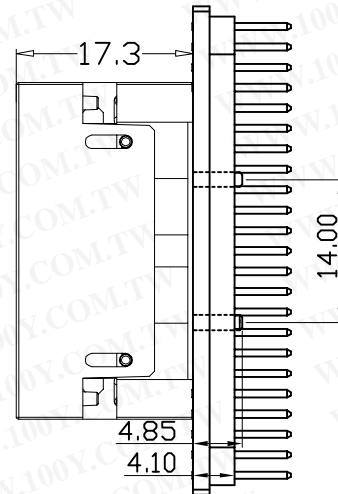
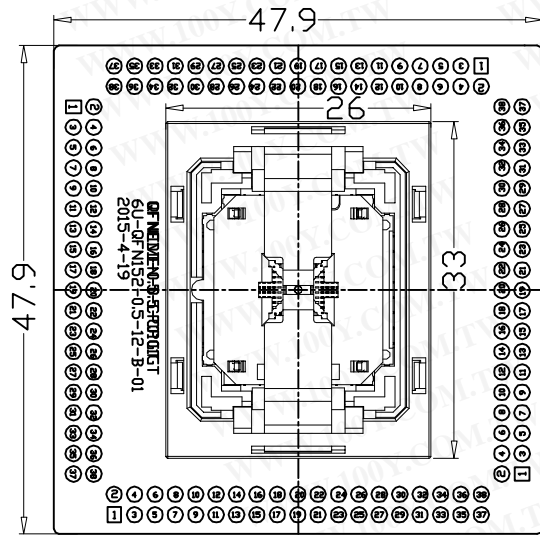
PERFORMANCE

1. Insulation Resistance: 1000M $\Omega$  Min.At DC 500V
2. Dielectric Withstanding Voltage For 1 Minute At AC 700V
3. Contact Resistance 30m $\Omega$  MAX. at 10mA and 20mV MAX.(Initial)
4. Current Rating: 1A max.
5. Operation Temperature -55°C ~+175°C
6. Life Span 15,000 Times (Mechanical)
7. Operation Force 2.0 Kg MAX

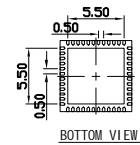
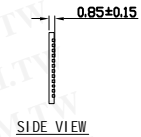
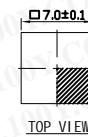
TOLERANCE	PROJECTION	GENERAL TOLERANCES	±0.10	TITLE	QFN48-0.4 SOCKET
X.	± 0.50	DIMENSION: mm	SCALE: 1:1	CLASS	QFN48-0.4-CP01GT
X.X	± 0.25	APP:	DATE:	DRW. NO	6U-PWQFN-0.4-48-6X6-01
X.XX	± 0.10	CHECK:	DATE:		
X.XXX	± 0.05	DEGK: ENG03	DATE: 20150606		

REVISION	DESCRIPTION	CHECK	APP	DATE	REV. NOTICE. NO
1					
2					
3					

# QFN 偶数万能转接板连线图

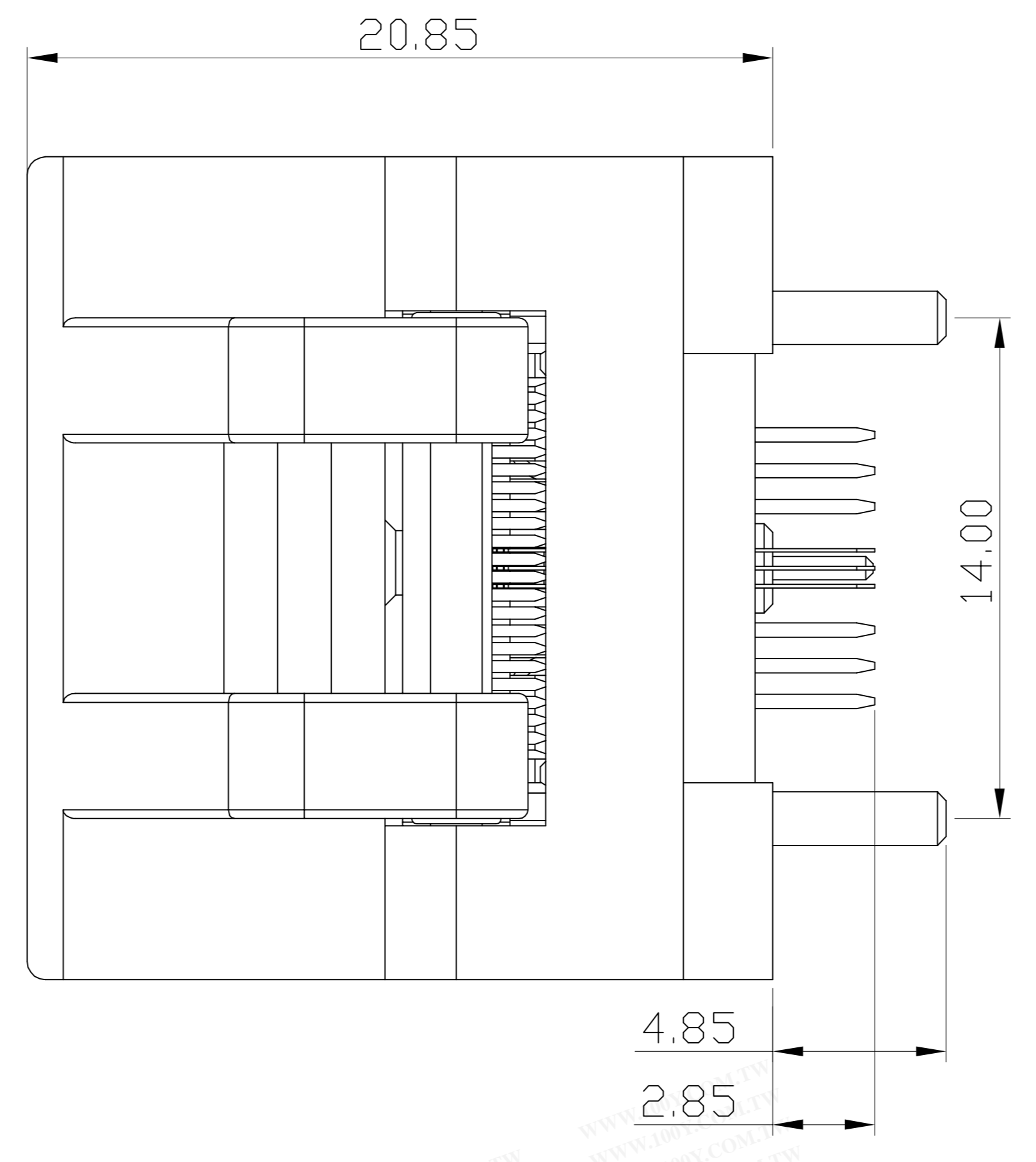
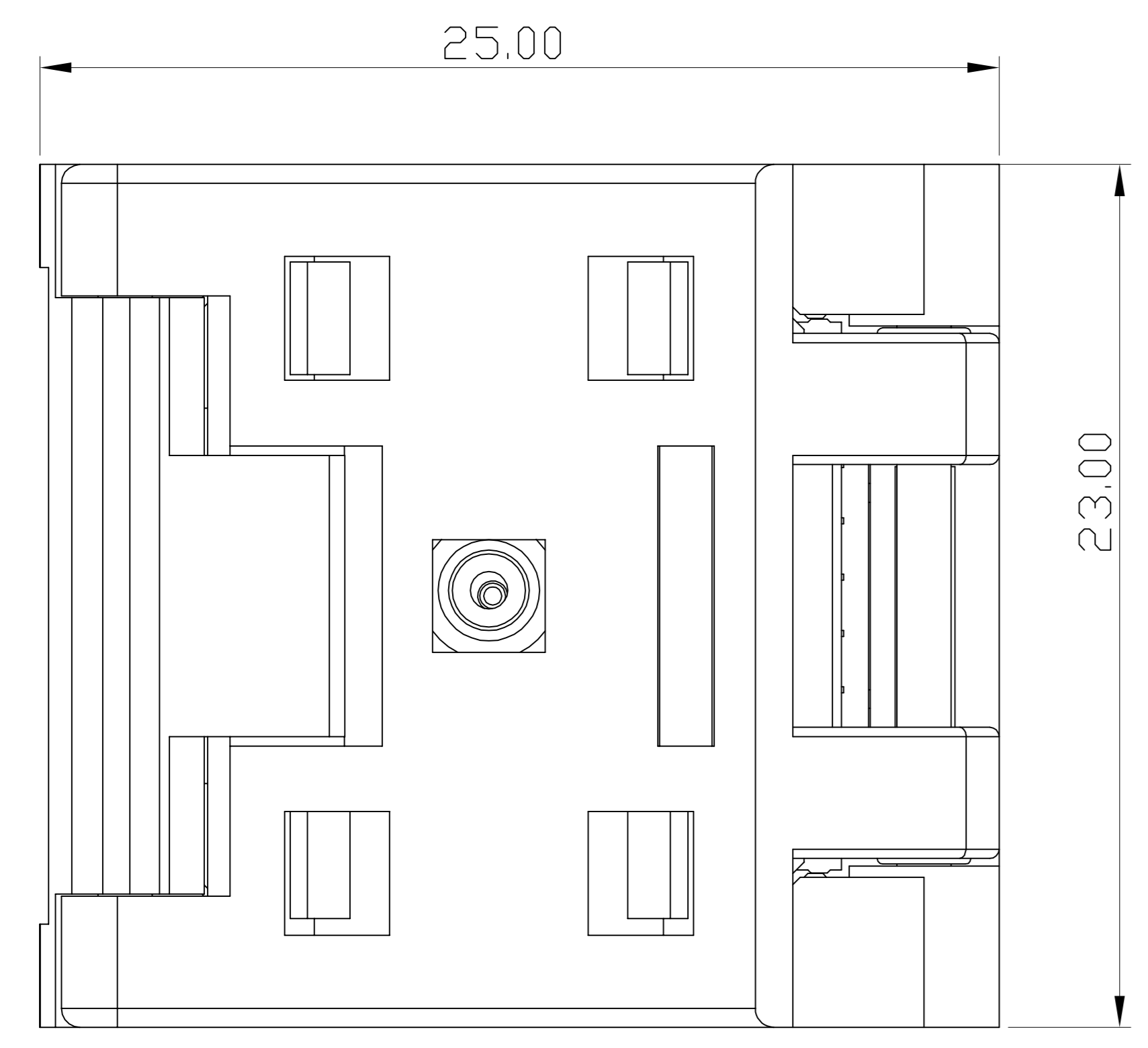


## Applicable IC

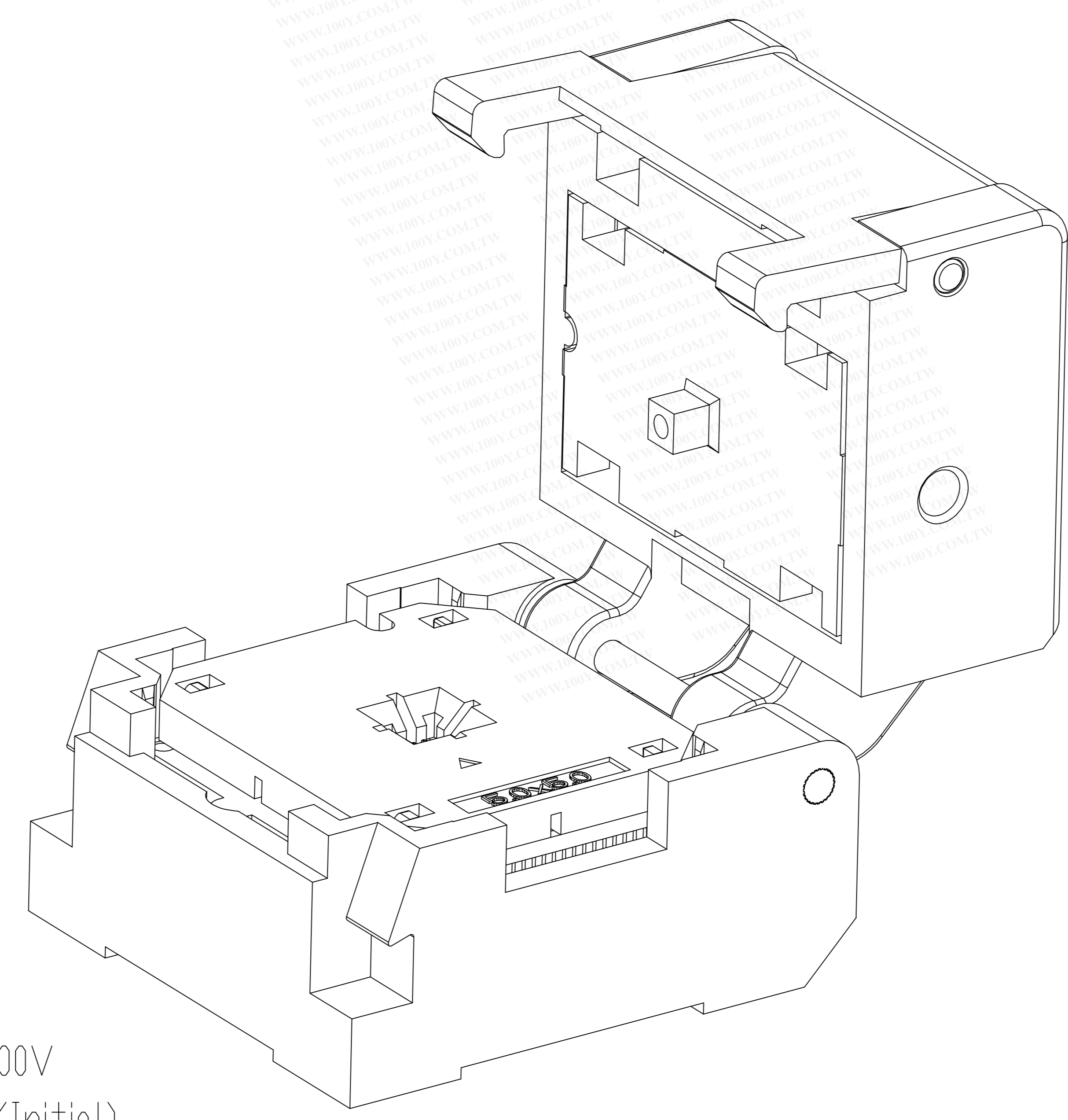
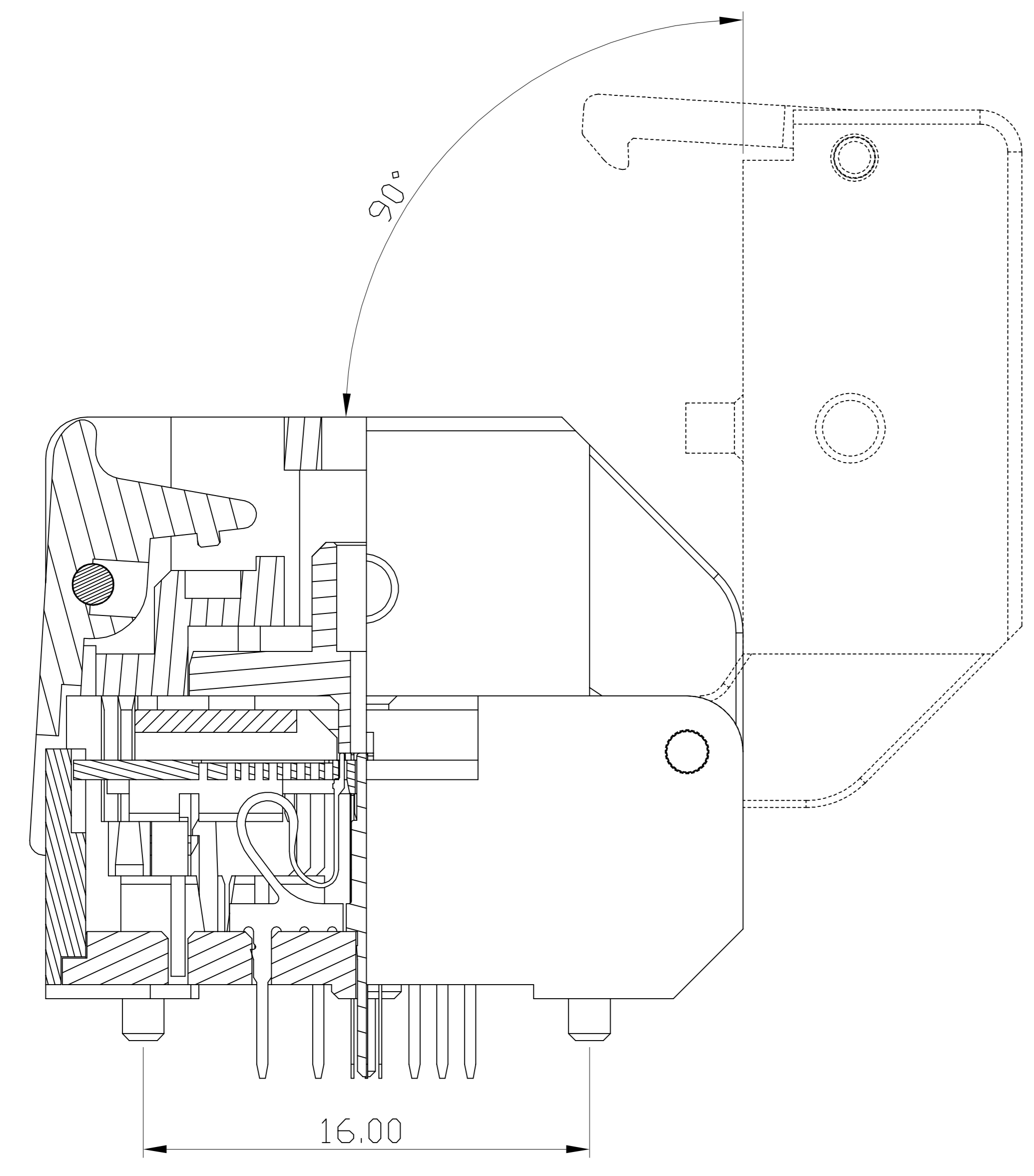
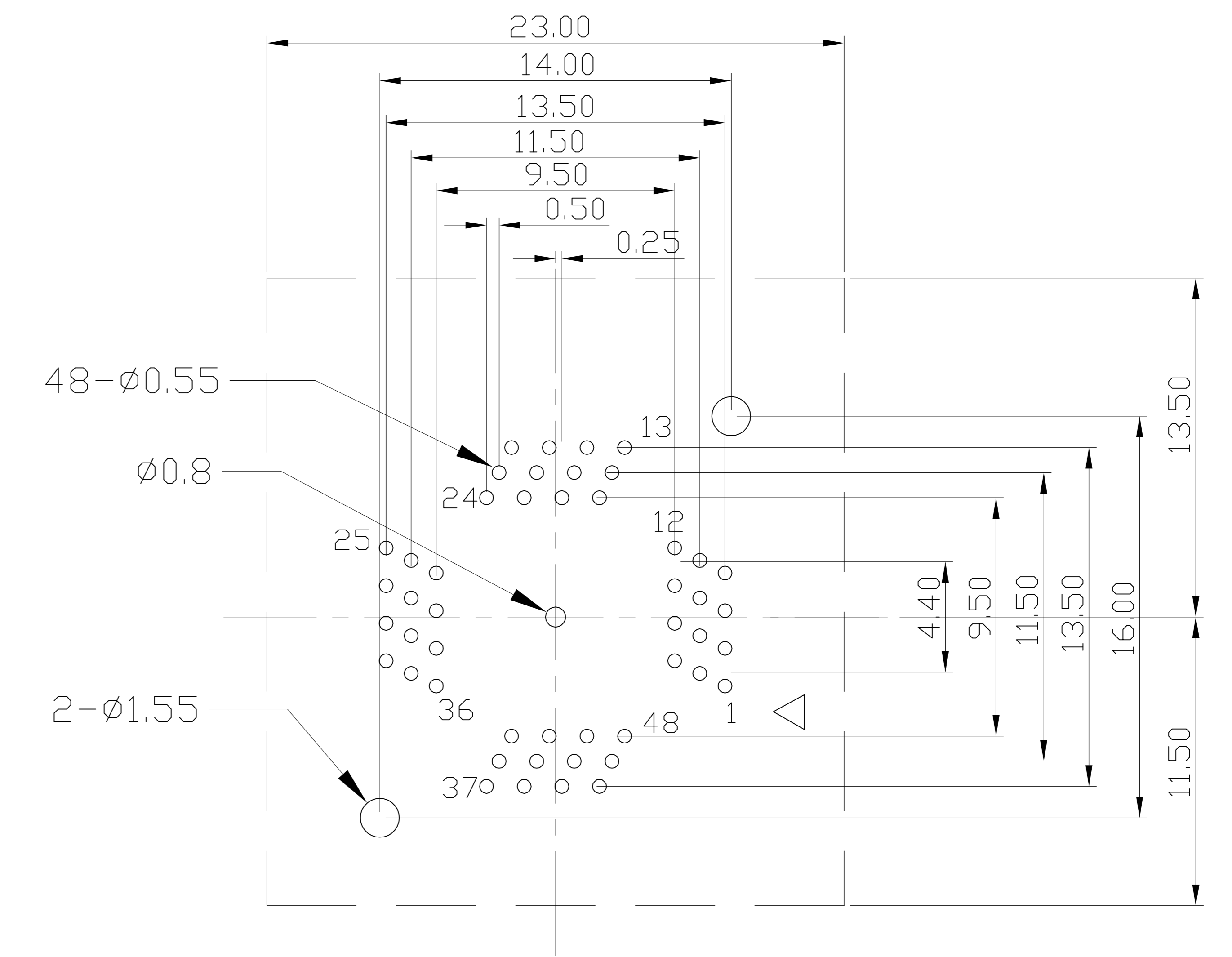


PROJECTION		GENERAL TOLERANCES	±0.10	TITLE	QFN48-0.5 SOCKET
		R E V	A	CLASS	7L-24048B-201
DIMENSION:	mm	SCALE:	1:1	DRW. NO	7L-PWQFN-0.5-48-B-01
APP:		DATE:			
CHECK:		DATE:			
DECK:		DATE:	20120822		

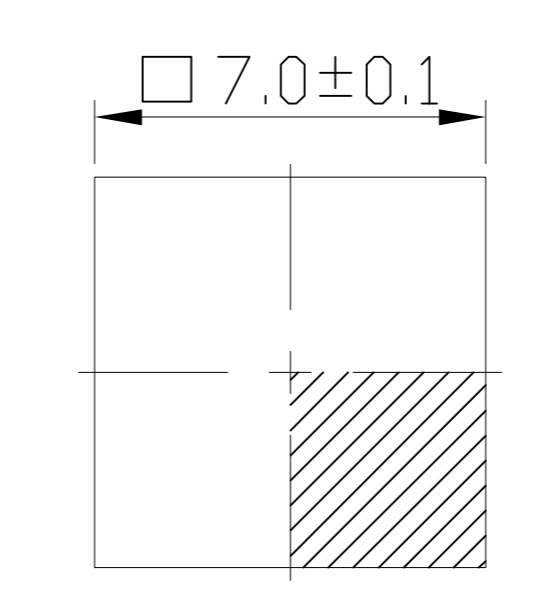
REVISION	DESCRIPTION	CHECK	APP	DATE	REV. NOTICE. NO
△ 1					
△ 2					
△ 3					



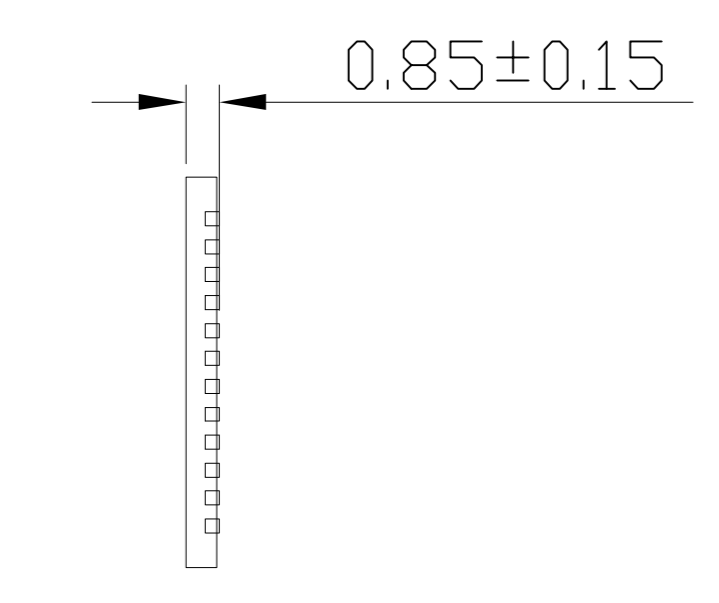
PCB Pattern(TOP View)



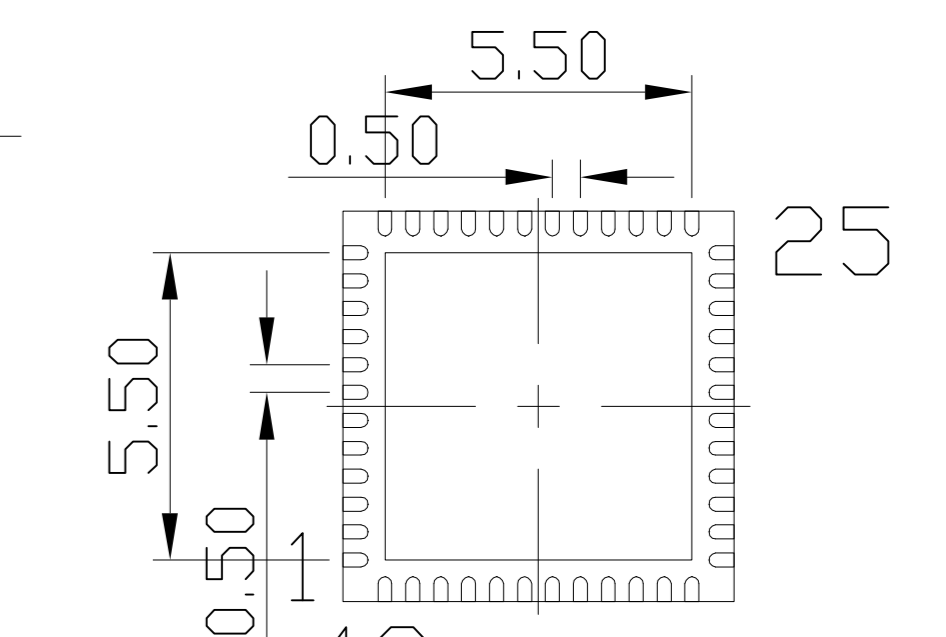
Applicable IC



TOP VIEW



SIDE VIEW



BOTTOM VIEW

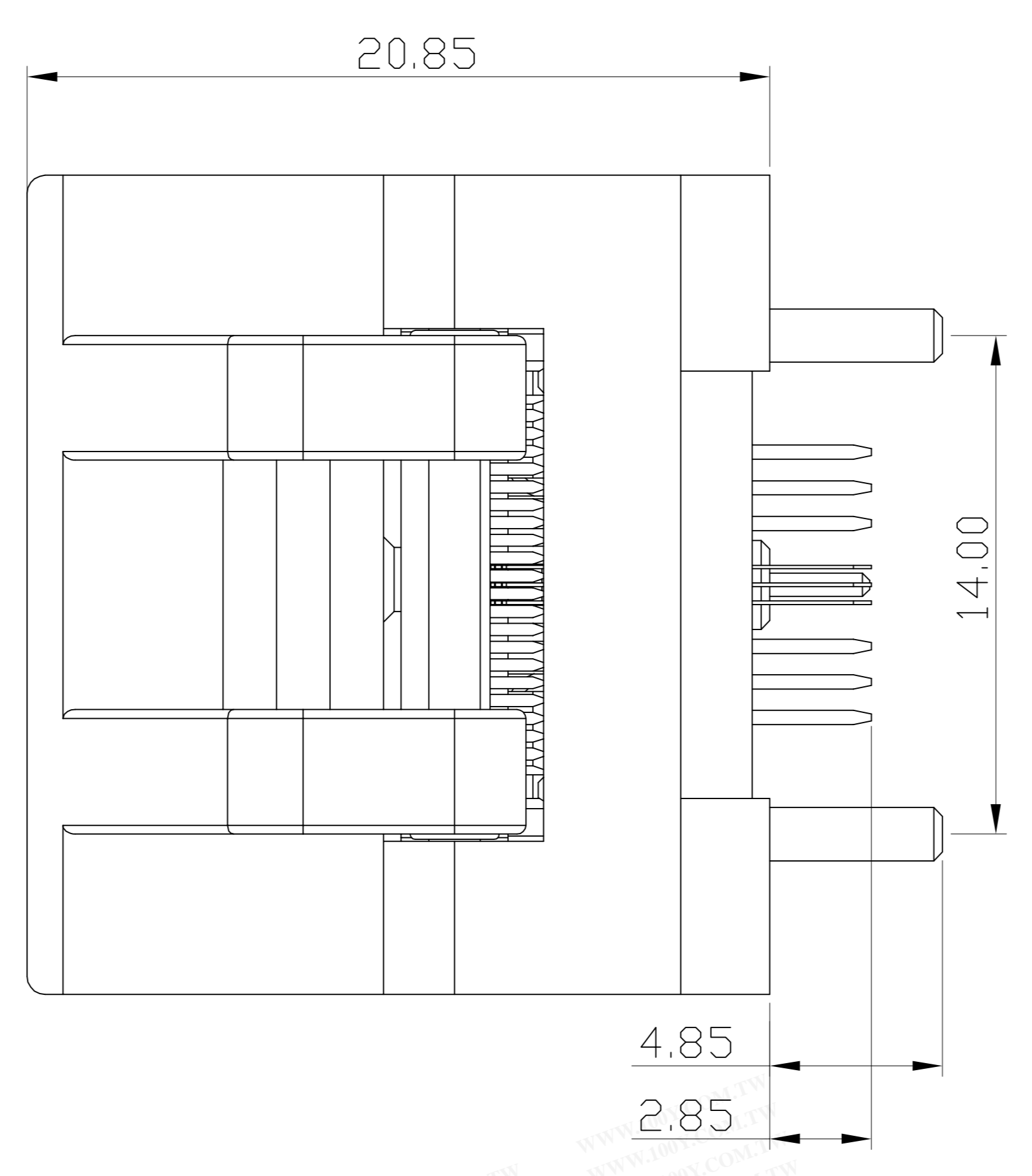
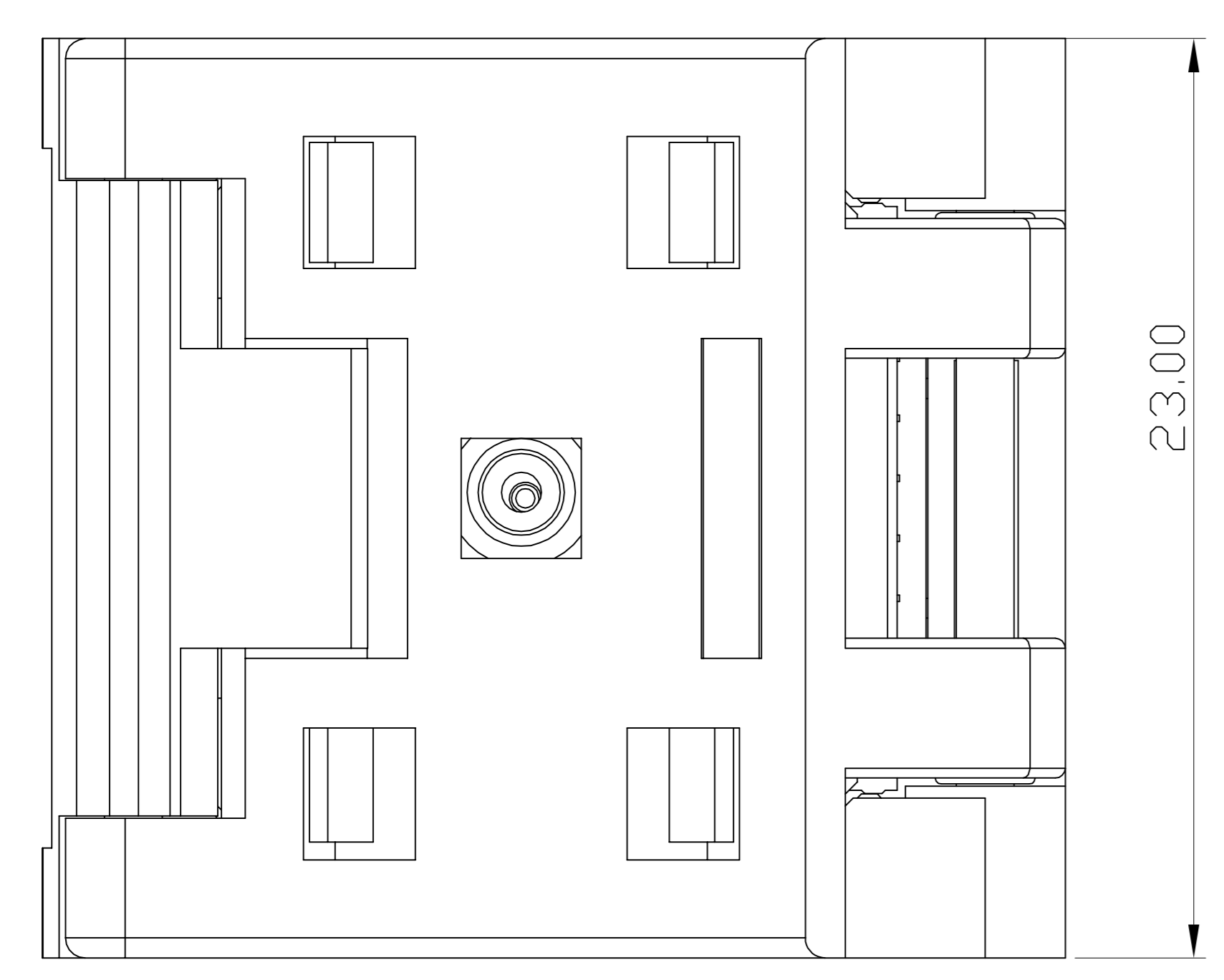
PERFORMANCE

- 1、Insulation Resistance: 1000M $\Omega$  Min.At DC 500V
- 2、Dielectric Withstanding Voltage For 1 Minute At AC 700V
- 3、Contact Resistance 30m $\Omega$  MAX. at 10mA and 20mV MAX.(Initial)
- 4、Current Rating: 1A max.
- 5、Operation Temperature -40°C ~+155°C
- 6、Life Span 15,000 Times (Mechanical)
- 7、Operation Force 2.0 Kg MAX

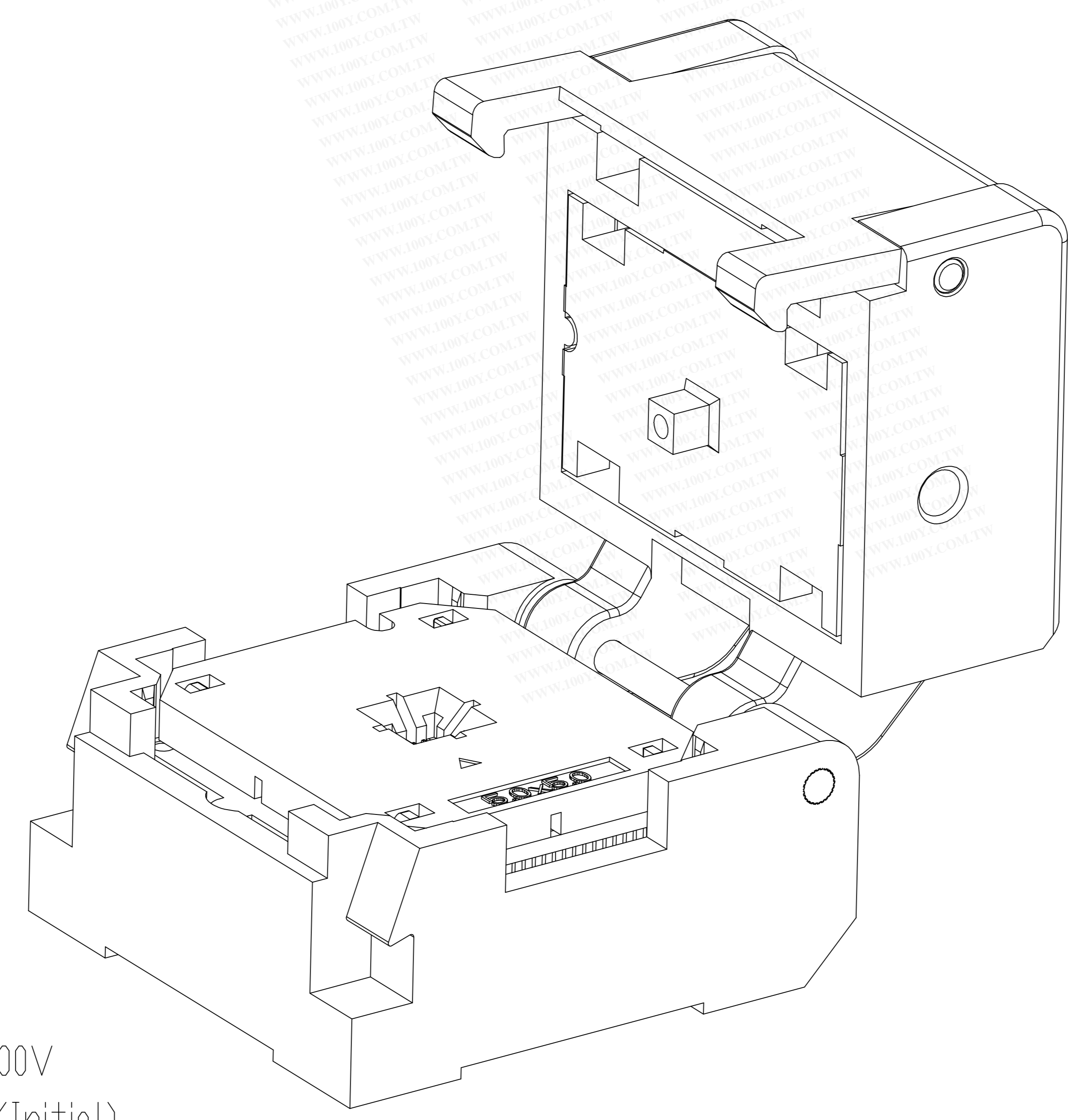
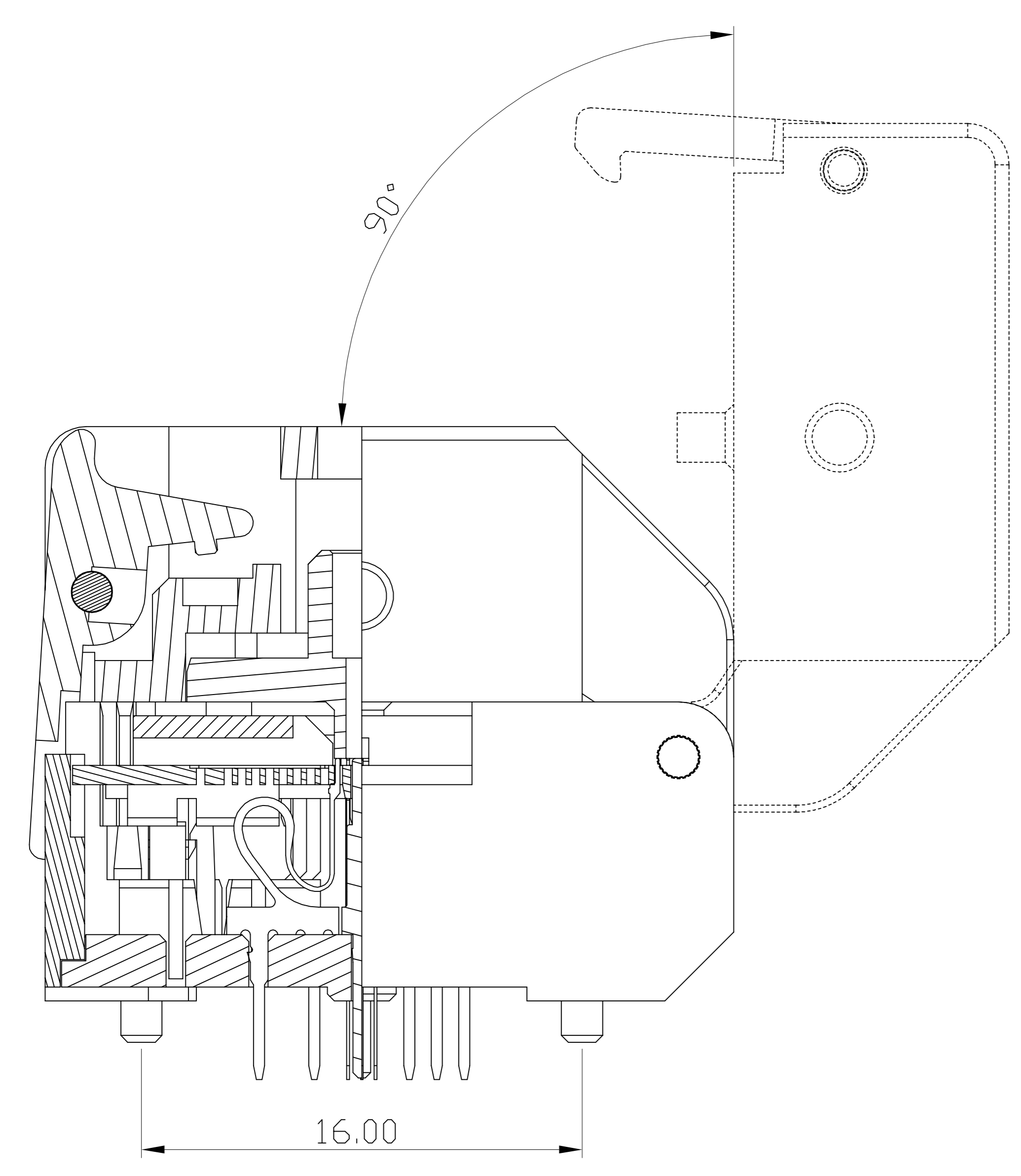
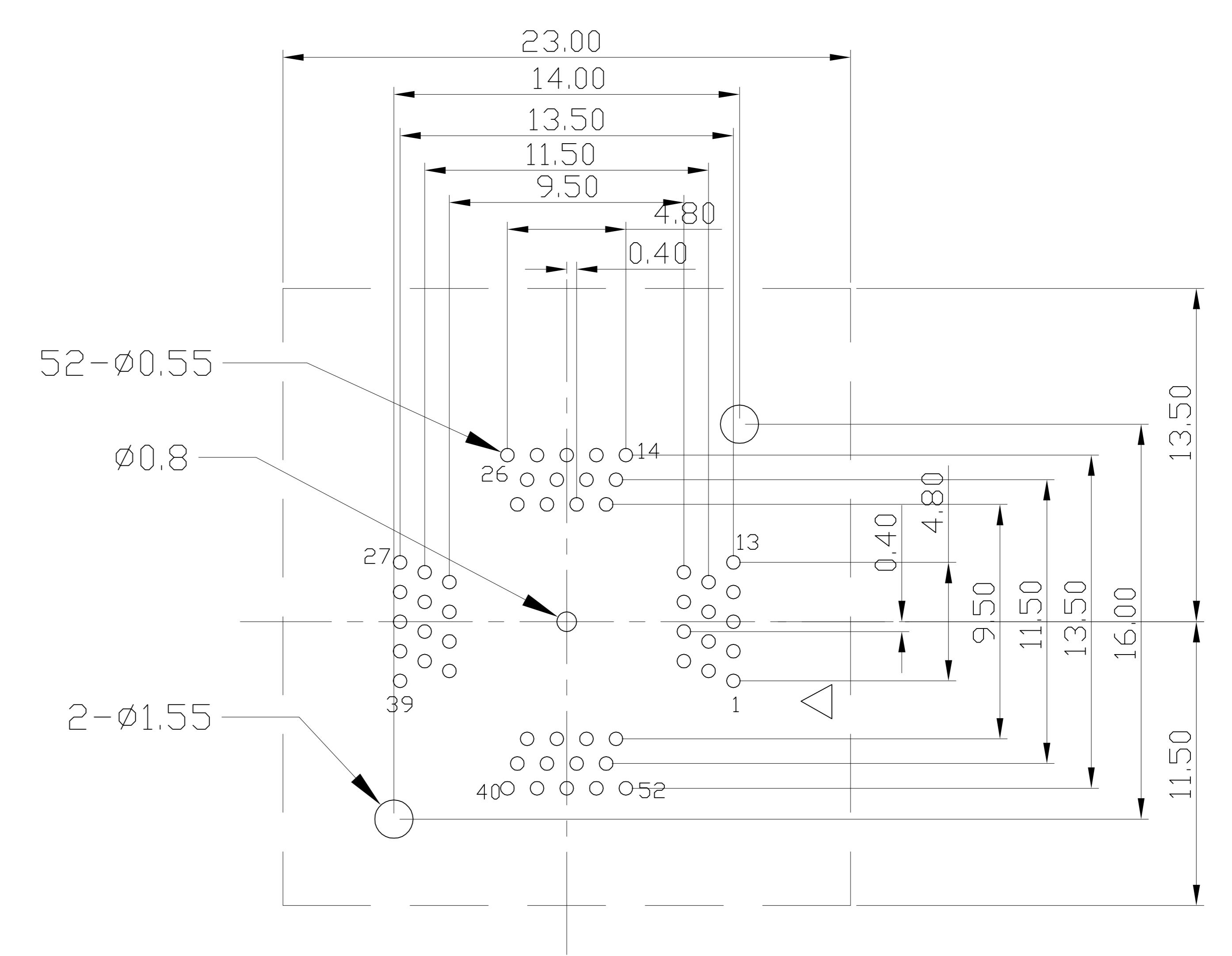
TOLERANCE	PROJECTION	GENERAL TOLERANCES	±0.10	TITLE	QFN48-0.5 SOCKET
X.	± 0.50	DIMENSION: mm	SCALE: 1:1	CLASS	<b>QFN48-0.5-CPO1GT</b>
X.X	± 0.25	APP:	DATE:	DRW. NO	6U-PWQFN-0.5-48-7X7-01
X.XX	± 0.10	CHECK:	DATE:		
X.XXX	± 0.05	DEGK: ENG03	DATE: 20150606		



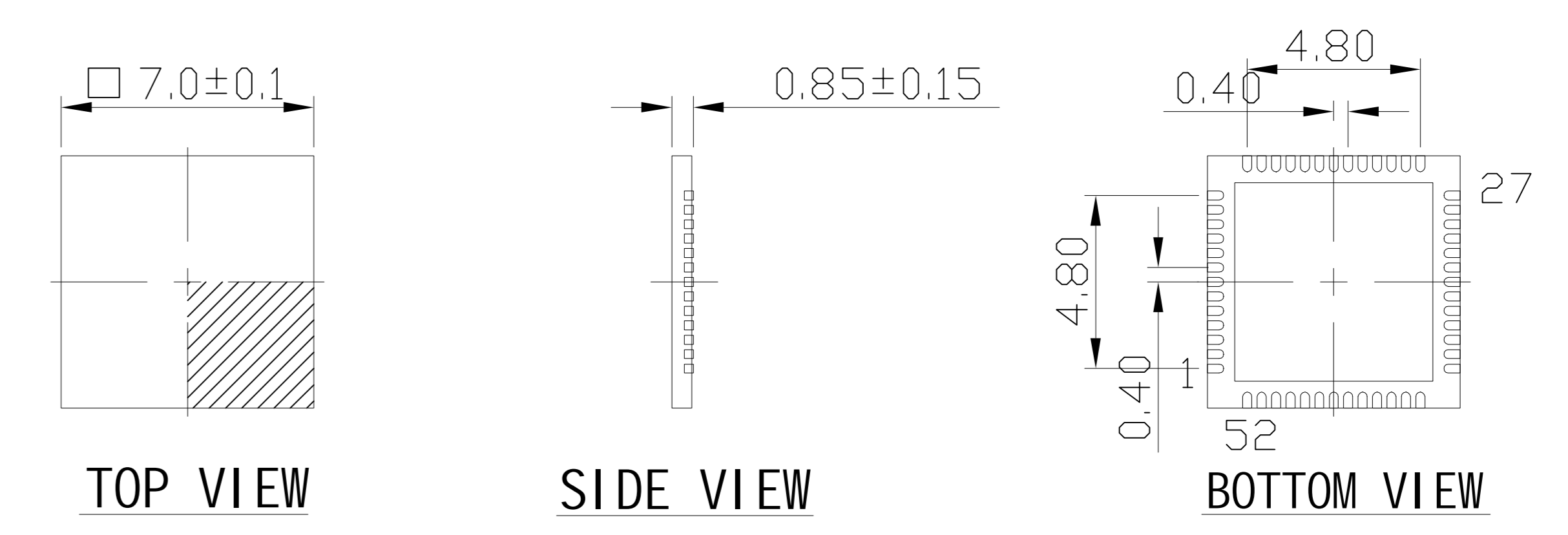
REVISION	DESCRIPTION	CHECK	APP	DATE	REV. NOTICE. NO
△ 1					
△ 2					
△ 3					



PCB Pattern(TOP View)



Applicable IC



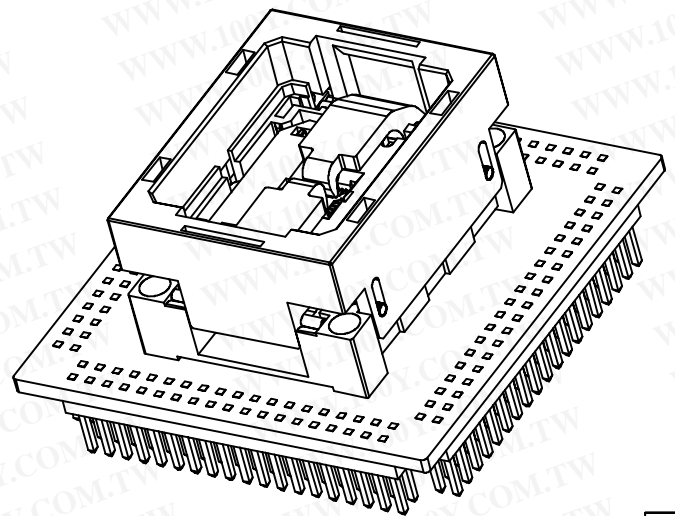
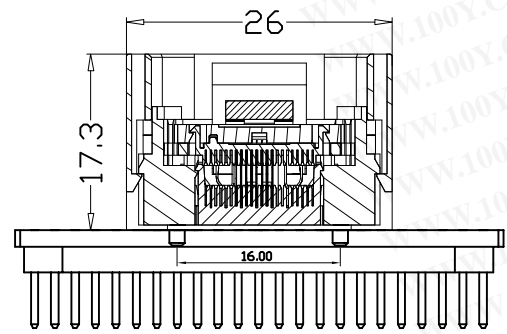
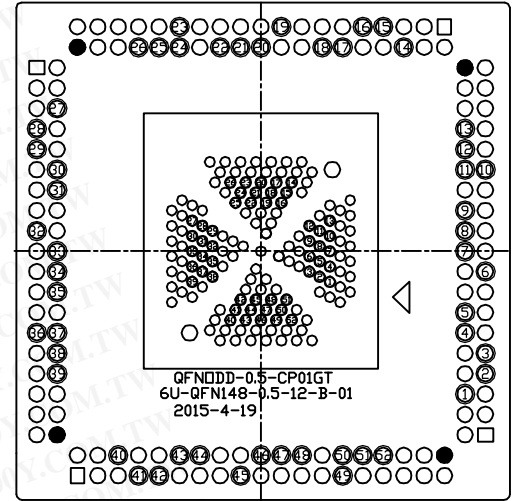
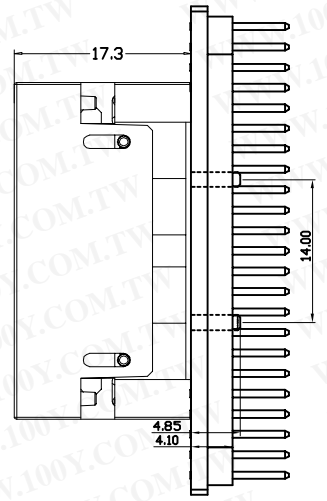
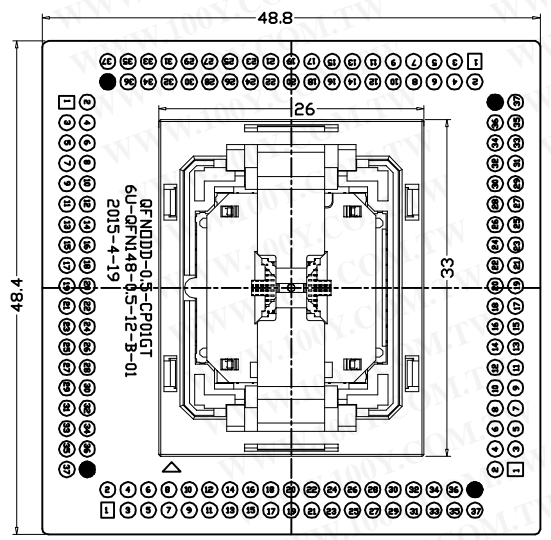
PERFORMANCE

- 1、Insulation Resistance: 1000MΩ Min.At DC 500V
- 2、Dielectric Withstanding Voltage For 1 Minute At AC 700V
- 3、Contact Resistance 30mΩ MAX. at 10mA and 20mV MAX.(Initial)
- 4、Current Rating: 1A max.
- 5、Operation Temperature -55°C ~+175°C
- 6、Life Span 15,000 Times (Mechanical)
- 7、Operation Force 2.0 Kg MAX

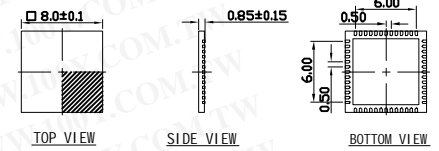
TOLERANCE	PROJECTION	GENERAL TOLERANCES	±0.10	TITLE	QFN52-0.4 SOCKET
X.	± 0.50	DIMENSION: mm	SCALE: 1:1	CLASS	QFN52-0.4-CP01GT
X.X	± 0.25	APP:	DATE:		<b>6U-PWQFN-0.4-52-7X7-01</b>
X.XX	± 0.10	CHECK:	DATE:		
X.XXX	± 0.05	DEGK: ENG03	DATE: 20150606		

REVISION	DESCRIPTION	CHECK	APP	DATE	REV. NOTICE. NO
1					
2					
3					

# QFN 奇数万能转接板连线图

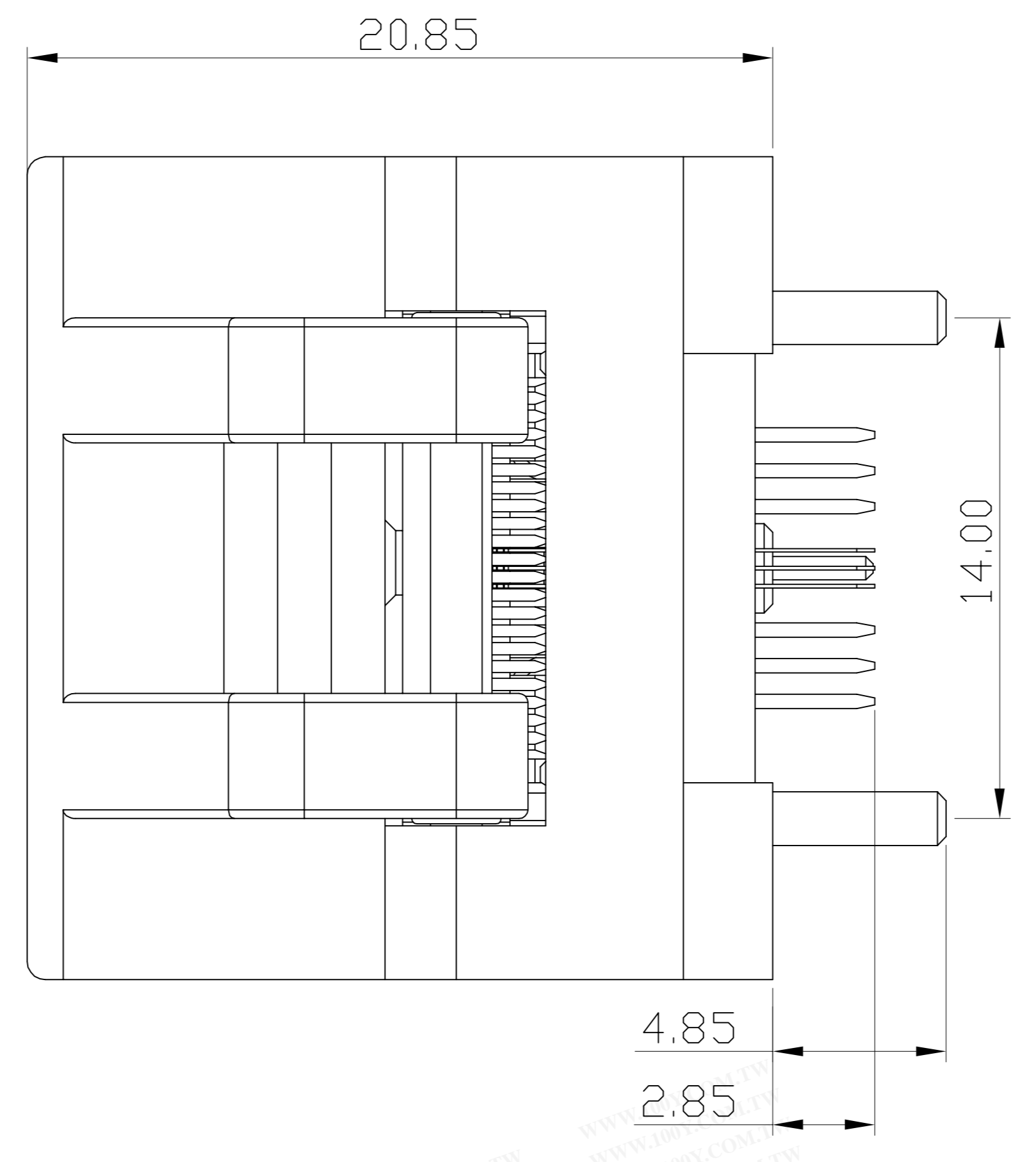
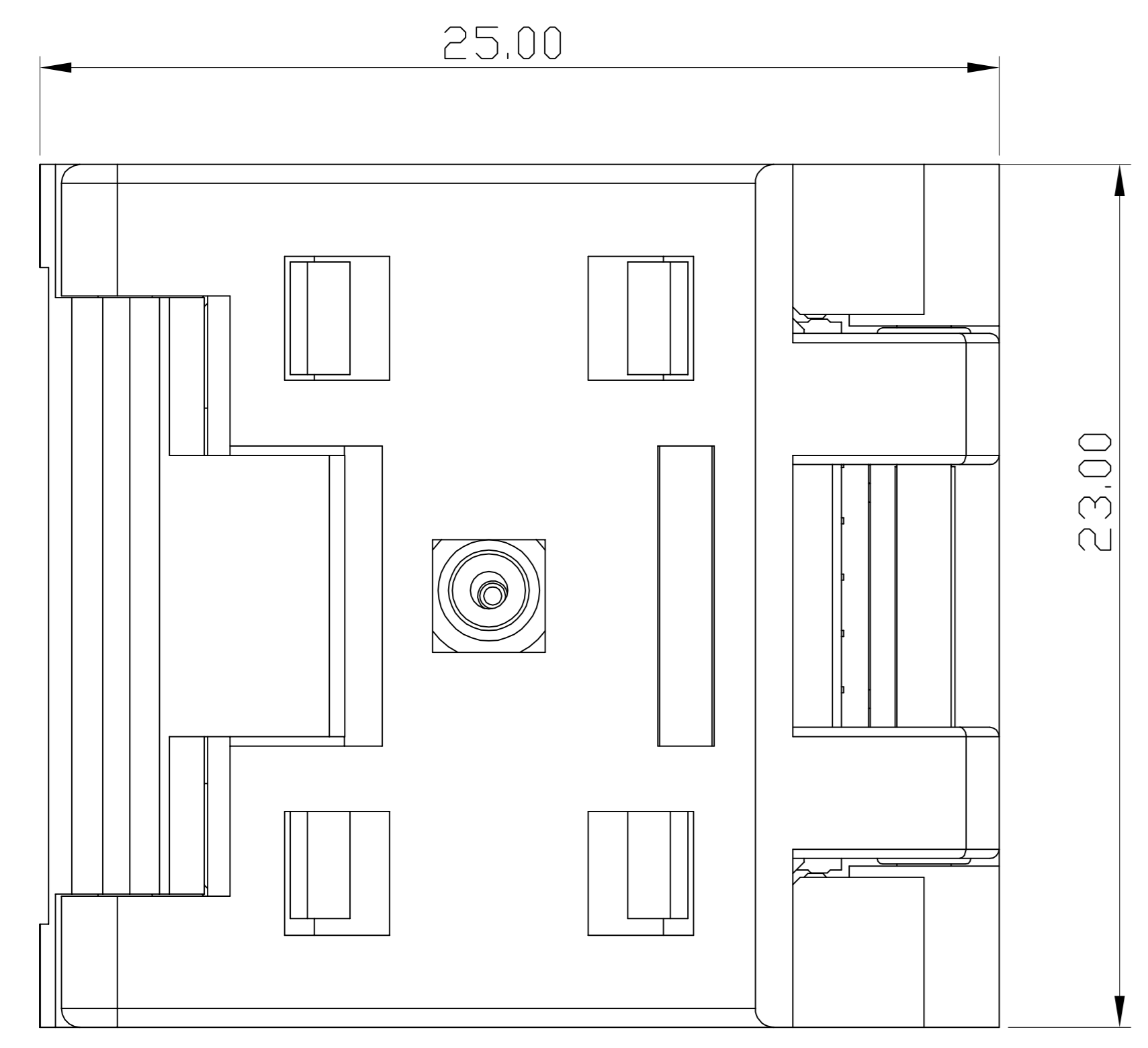


## Applicable IC

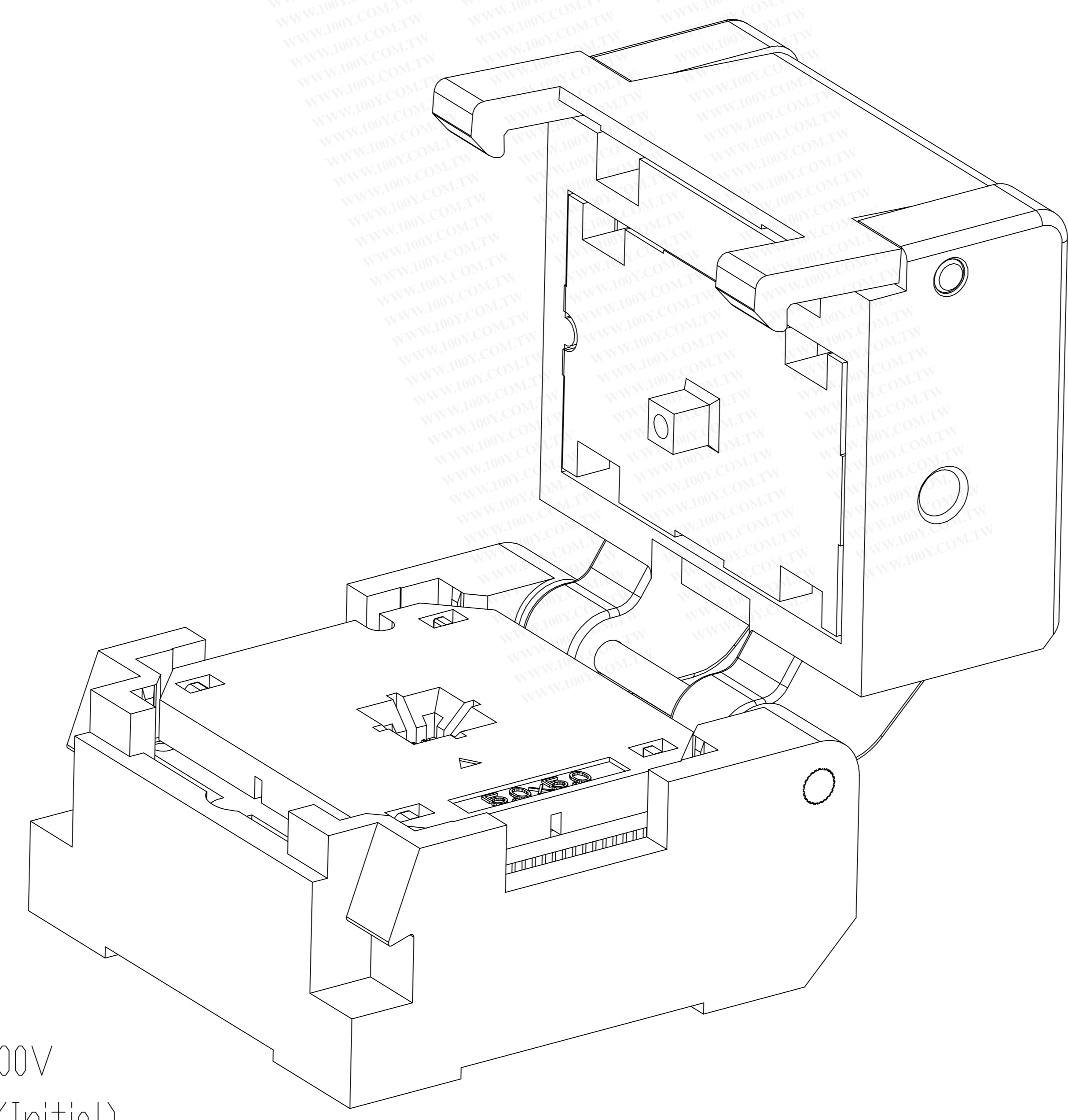
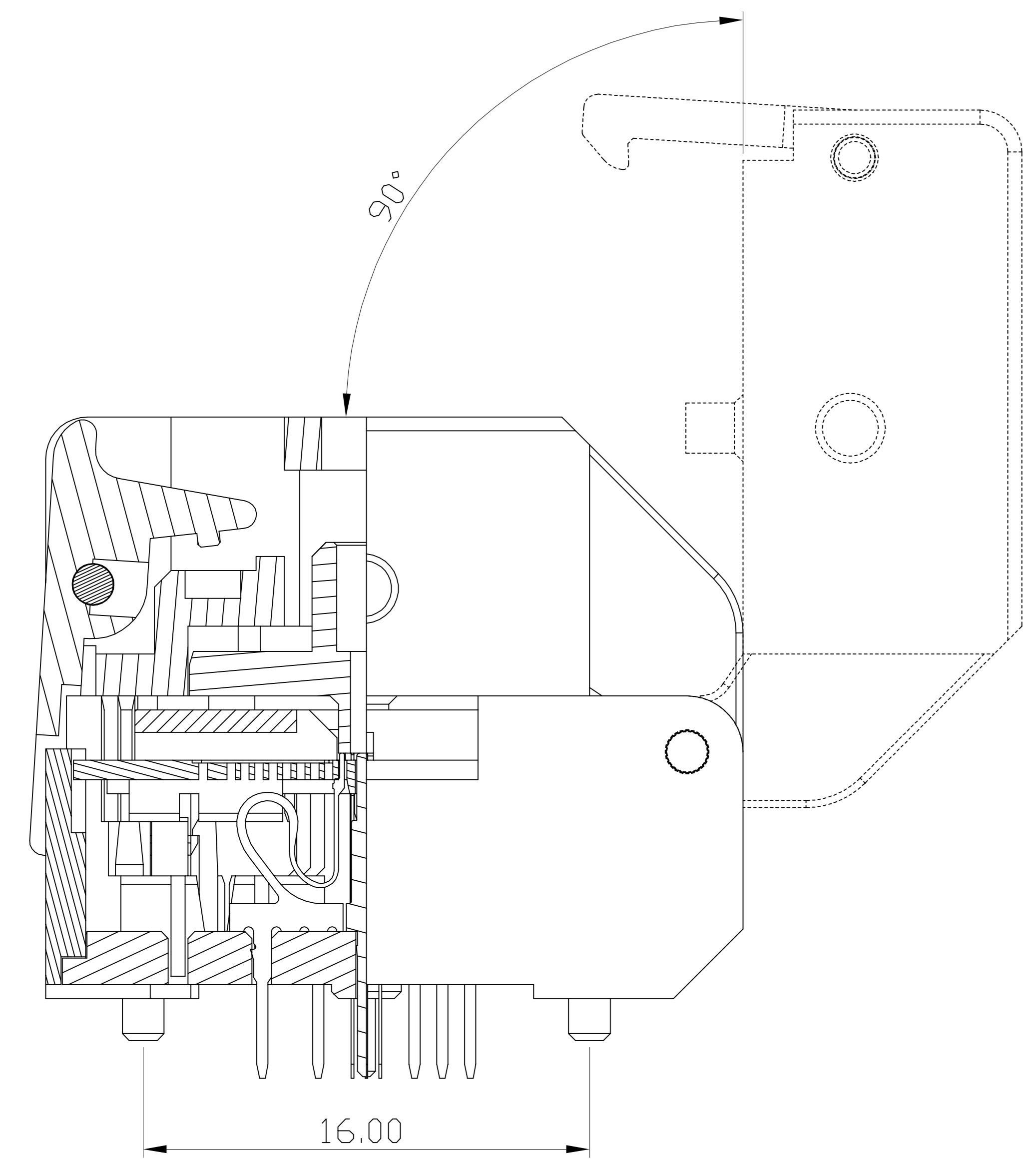
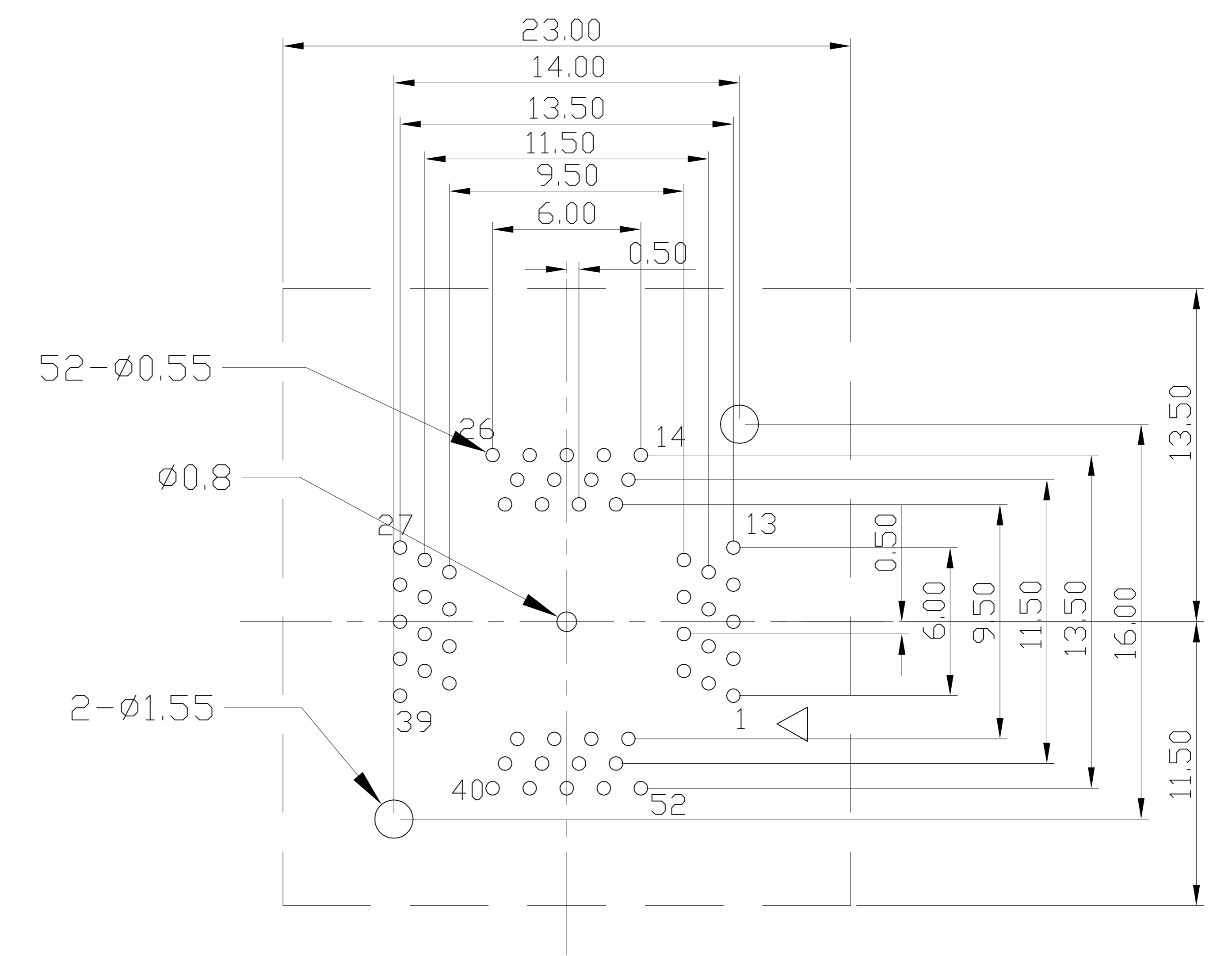


PROJECTION		GENERAL TOLERANCES	±0.10	TITLE	QFN52-0.5 SOCKET
		R E V	A	CLASS	7L-24052B-101
DIMENSION:	mm	SCALE:	1:1	DRW. NO	7L-PWQFN-0.5-52-B-01
APP:		DATE:			
CHECK:		DATE:			
DECK:		DATE:	20120822		

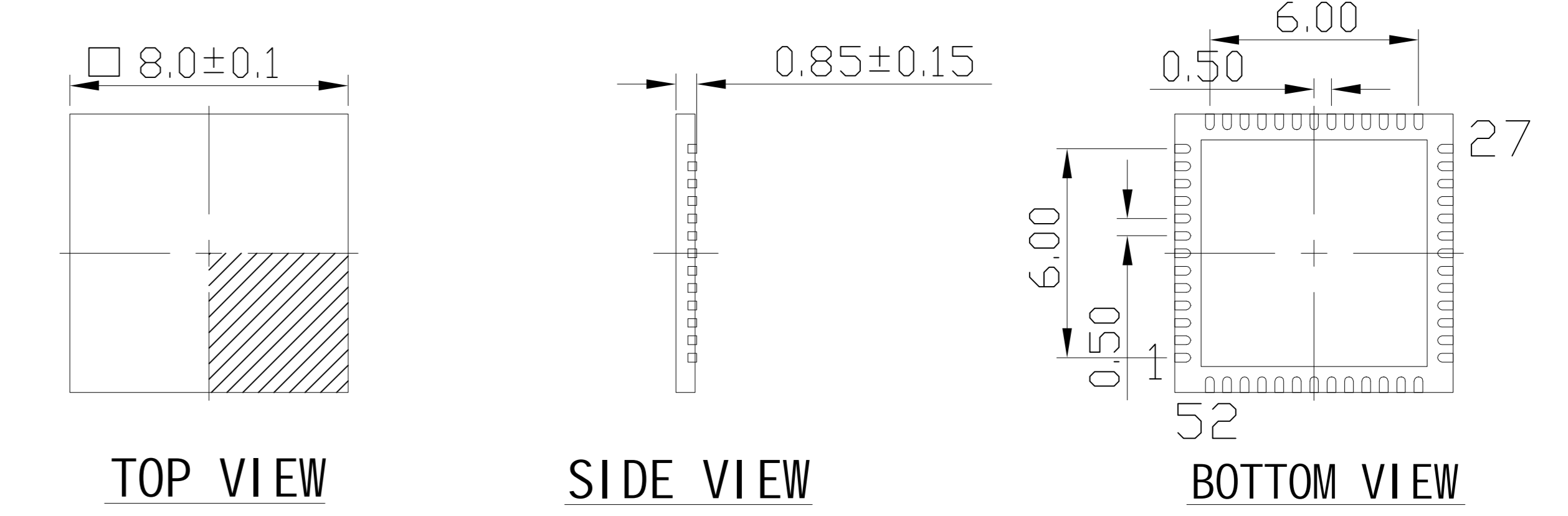
REVISION	DESCRIPTION	CHECK	APP	DATE	REV. NOTICE. NO
△ 1					
△ 2					
△ 3					



PCB Pattern(TOP View)



Applicable IC

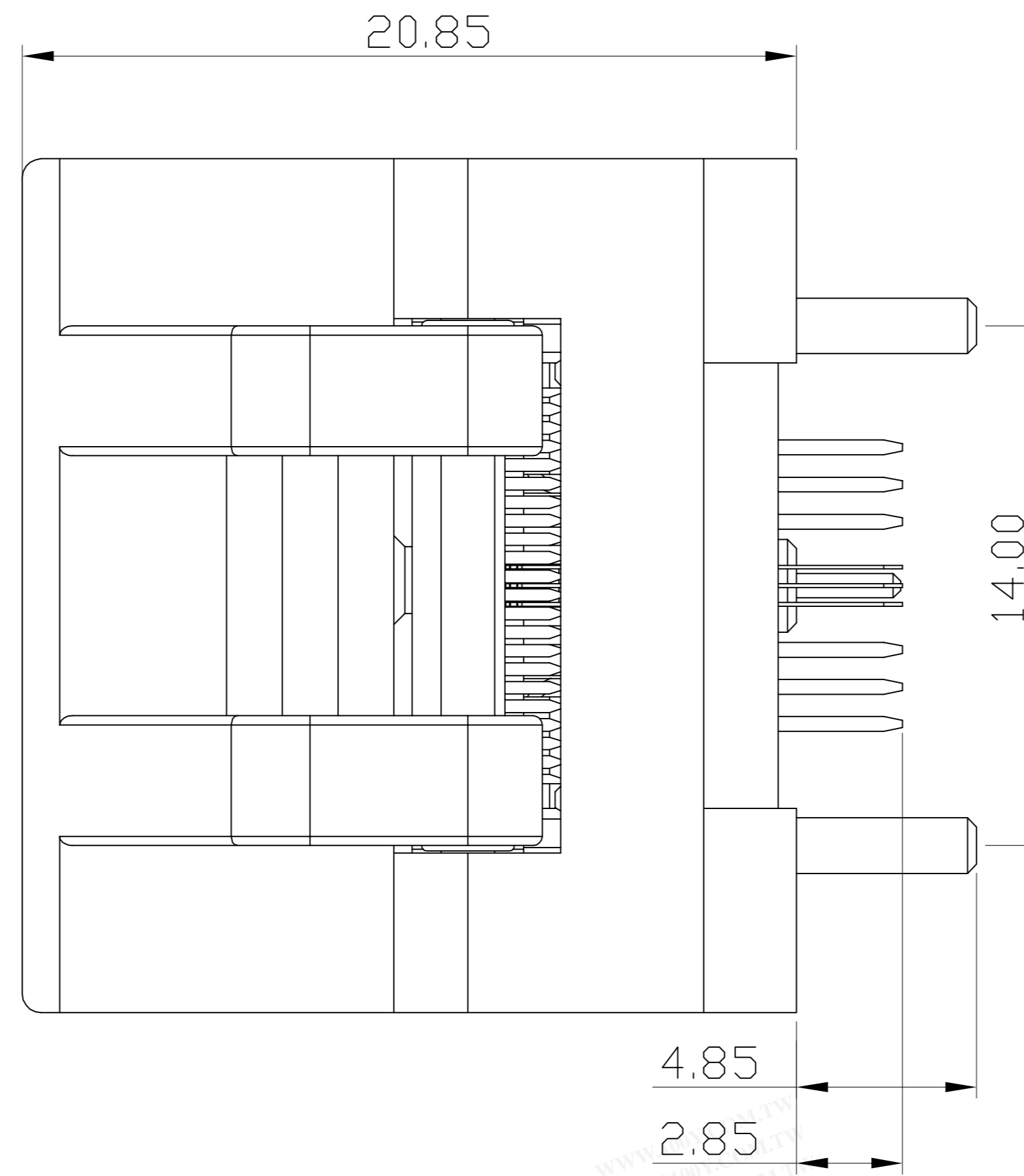
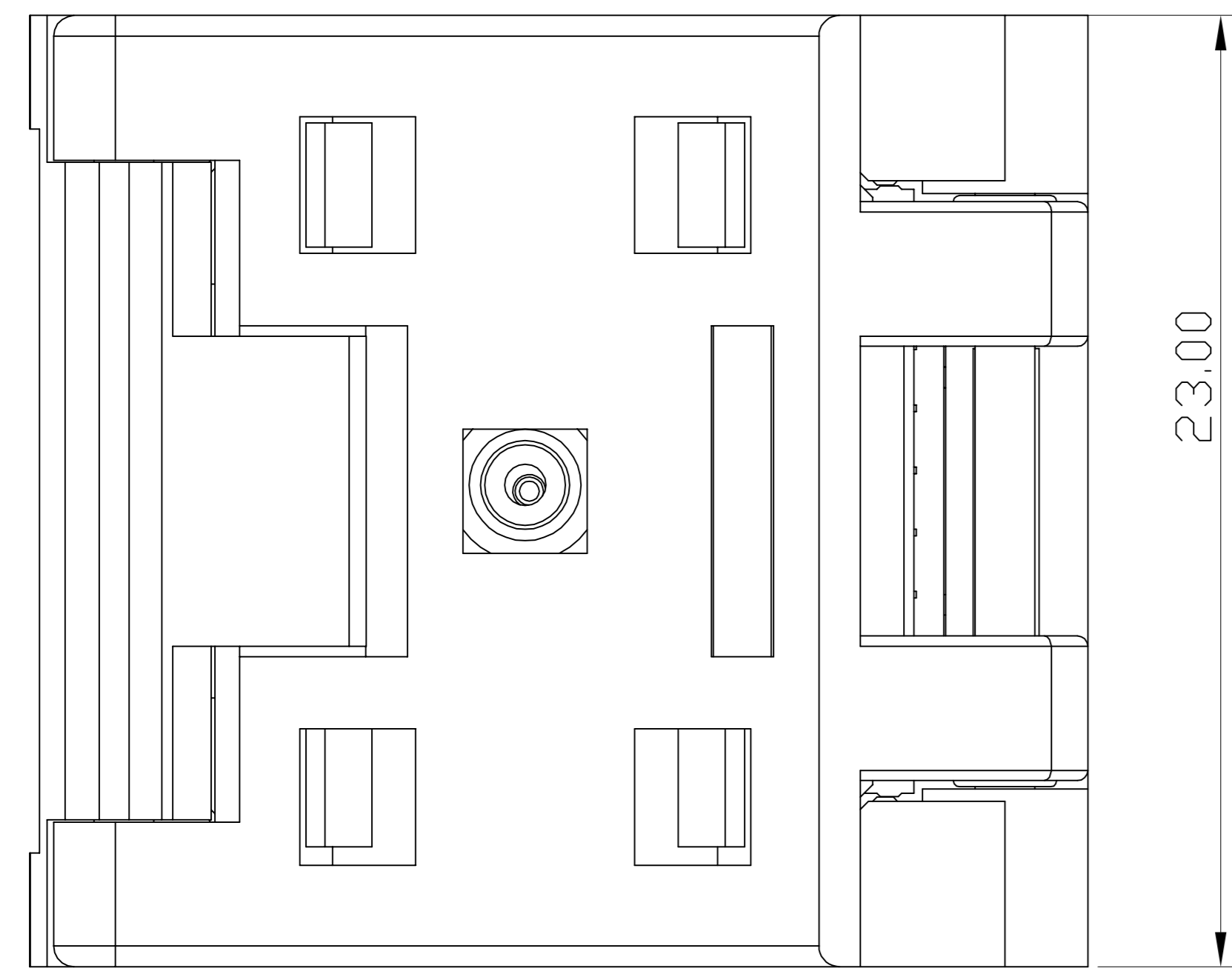


PERFORMANCE

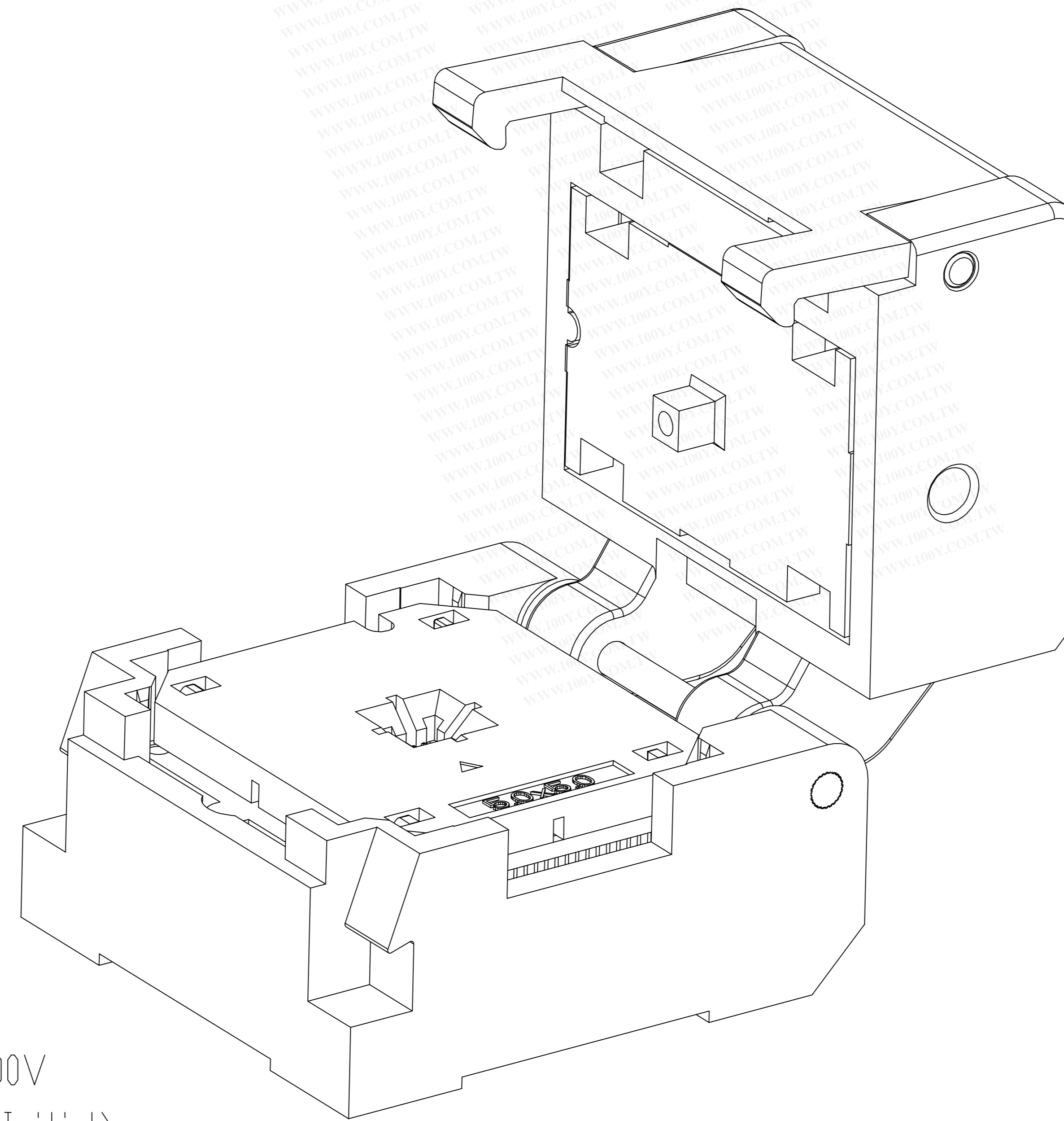
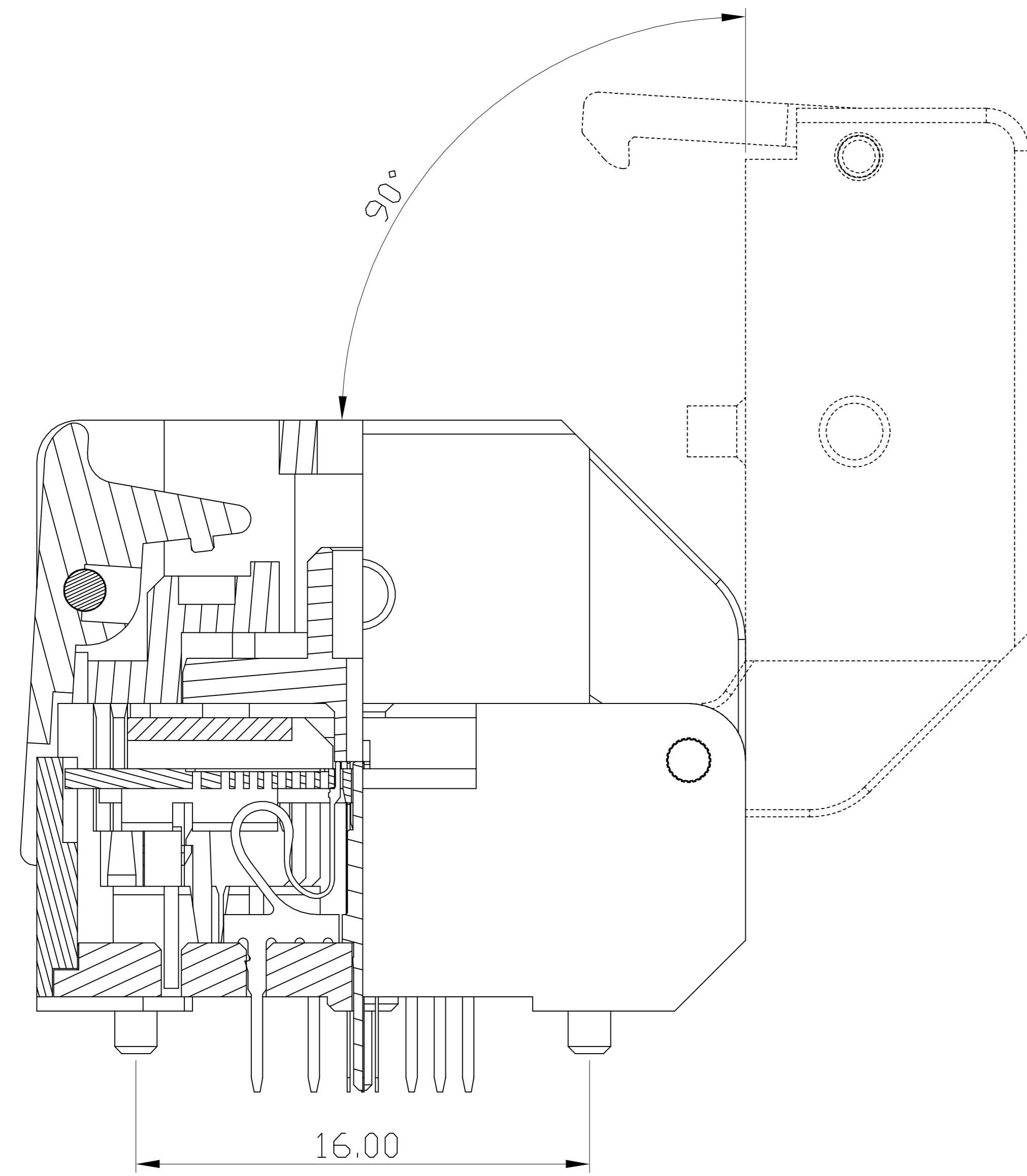
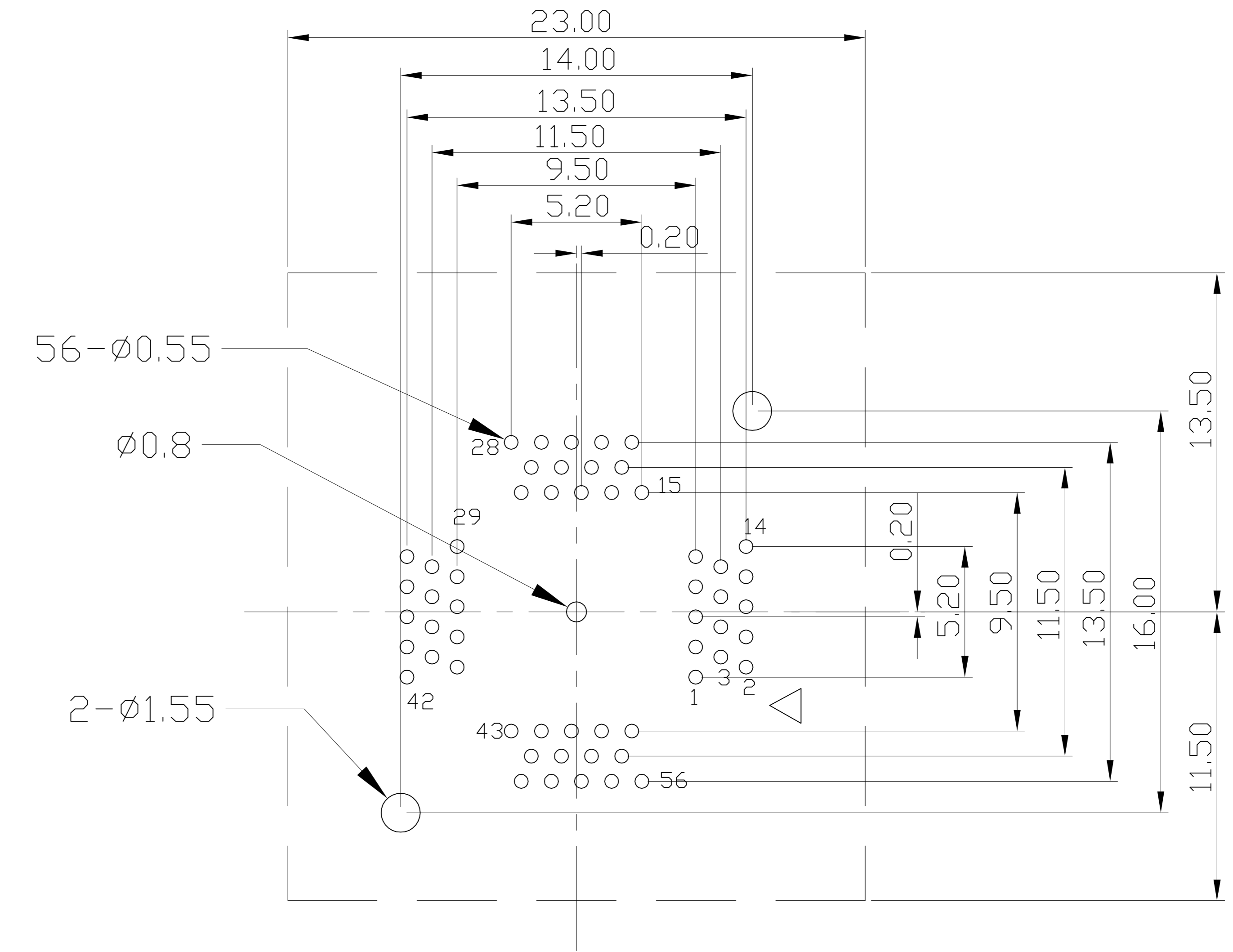
1. Insulation Resistance: 1000MΩ Min.At DC 500V
2. Dielectric Withstanding Voltage For 1 Minute At AC 700V
3. Contact Resistance 30mΩ MAX. at 10mA and 20mV MAX.(Initial)
4. Current Rating: 1A max.
5. Operation Temperature -40°C ~+155°C
6. Life Span 15,000 Times (Mechanical)
7. Operation Force 2.0 Kg MAX

TOLERANCE	PROJECTION	GENERAL TOLERANCES	±0.10	TITLE	QFN52-0.5 SOCKET
X.	± 0.50	DIMENSION: mm	SCALE: 1:1	CLASS	QFN52-0.5-CP01GT
X.X	± 0.25	APP:	DATE:		6U-PWQFN-0.5-52-8X8-01
X.XX	± 0.10	CHECK:	DATE:		
X.XXX	± 0.05	DEGK: ENG03	DATE: 20150606		

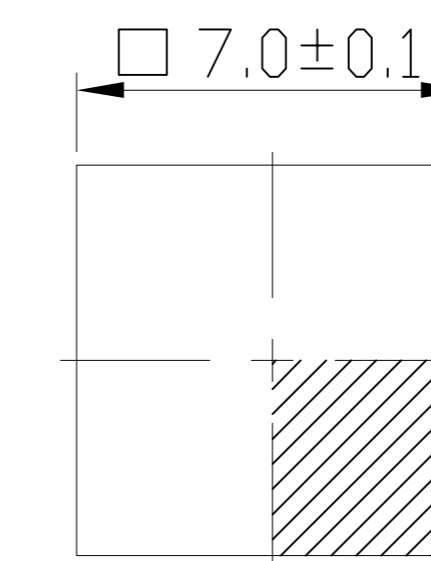
REVISION	DESCRIPTION	CHECK	APP	DATE	REV. NOTICE. NO
△ 1					
△ 2					
△ 3					



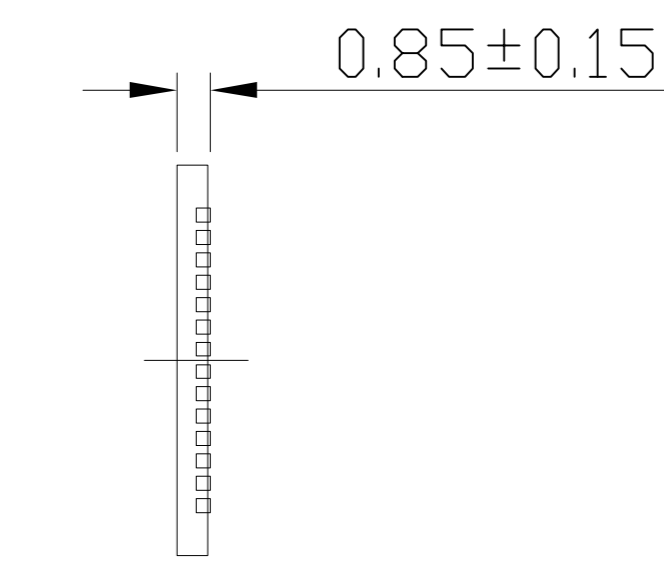
PCB Pattern(TOP View)



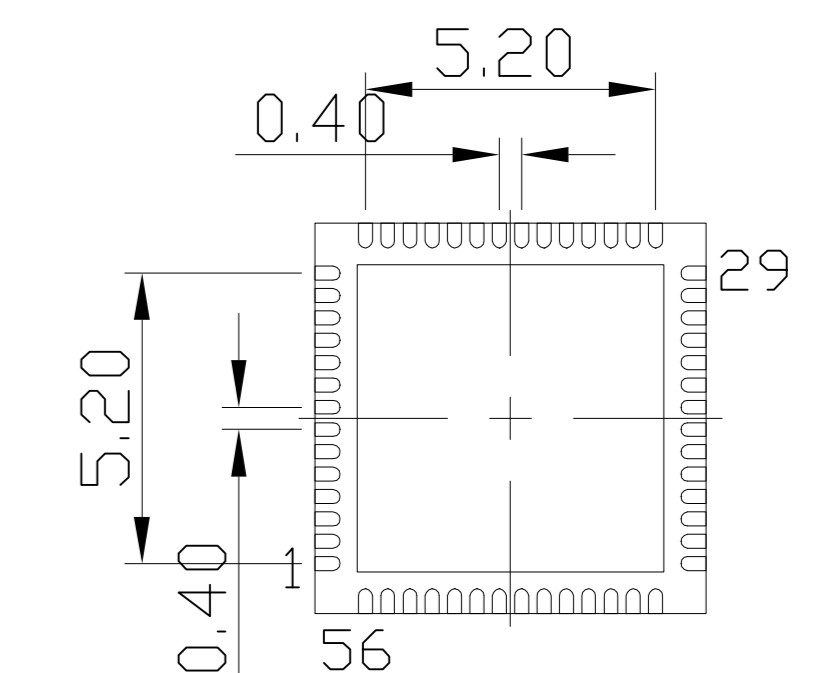
Applicable IC



TOP VIEW



SIDE VIEW



BOTTOM VIEW

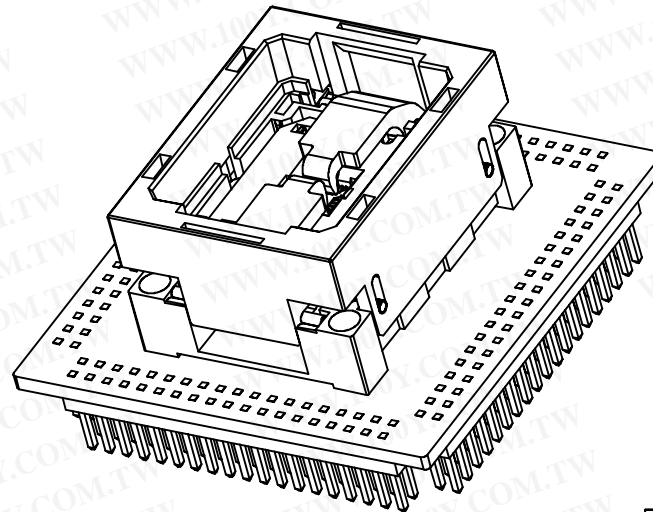
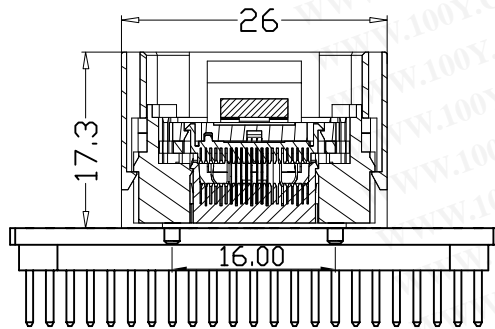
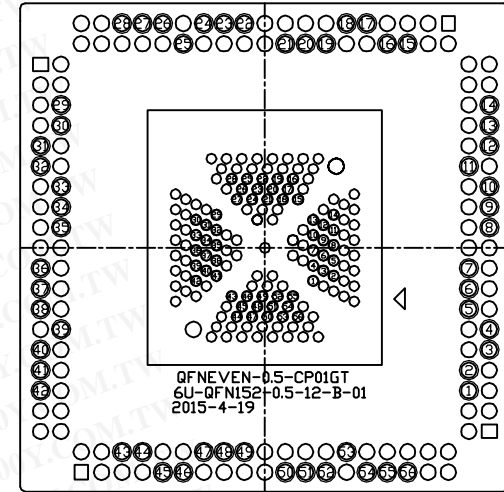
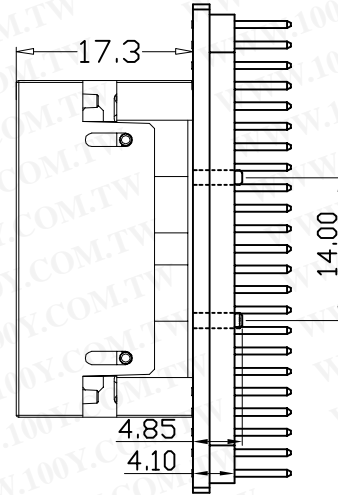
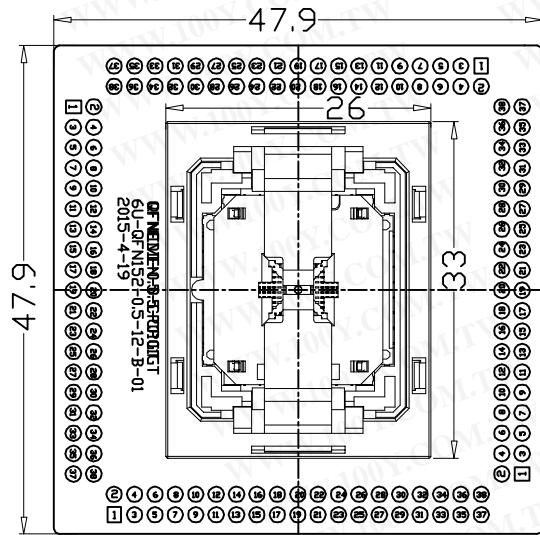
PERFORMANCE

1. Insulation Resistance: 1000M $\Omega$  Min.At DC 500V
2. Dielectric Withstanding Voltage For 1 Minute At AC 700V
3. Contact Resistance 30m $\Omega$  MAX. at 10mA and 20mV MAX.(Initial)
4. Current Rating: 1A max.
5. Operation Temperature -55°C ~+175°C
6. Life Span 15,000 Times (Mechanical)
7. Operation Force 2.0 Kg MAX

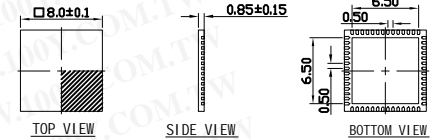
TOLERANCE	PROJECTION	GENERAL TOLERANCES	±0.10	TITLE	QFN56-0.4 SOCKET
X.	± 0.50	DIMENSION: mm	SCALE: 1:1	CLASS	QFN56-0.4-CP01GT
X.X	± 0.25	APP:	DATE:	DRW. NO	6U-PWQFN-0.4-56-7X7-01
X.XX	± 0.10	CHECK:	DATE:		
X.XXX	± 0.05	DEGK: ENG03	DATE: 20150606		

REVISION	DESCRIPTION	CHECK	APP	DATE	REV. NOTICE. NO
△1					
△2					
△3					

# QFN 偶数万能转接板连线图

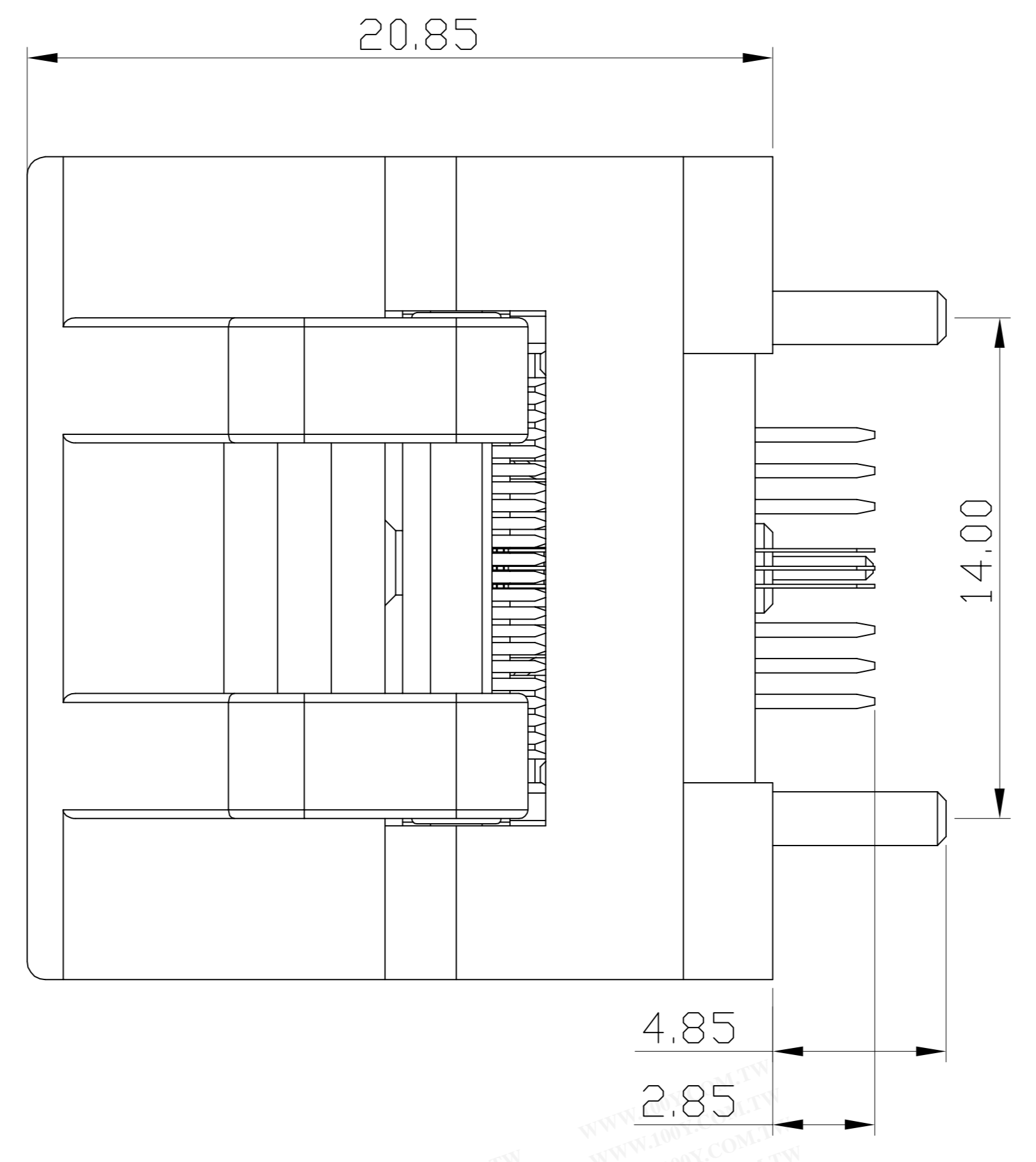
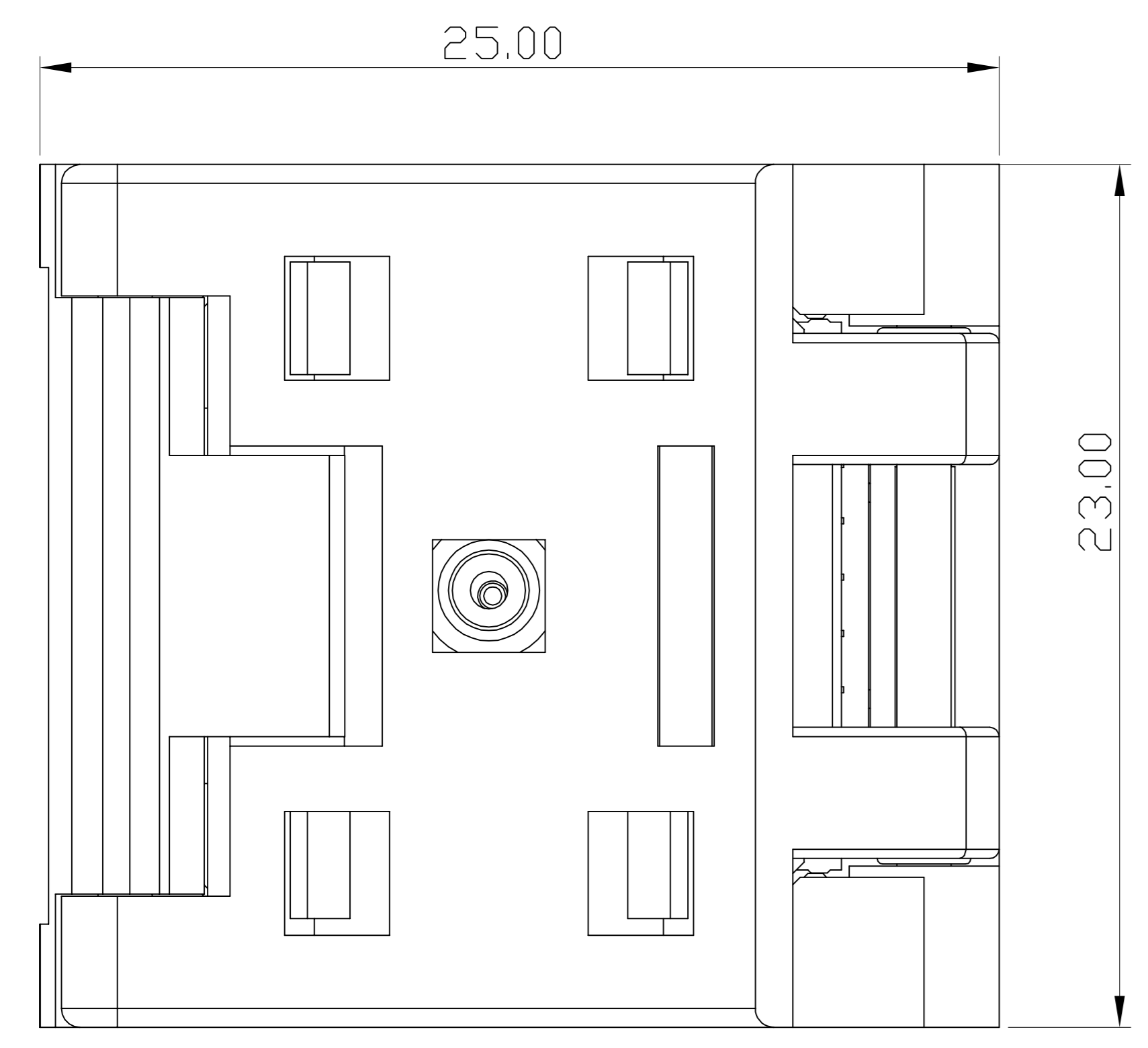


## Applicable IC

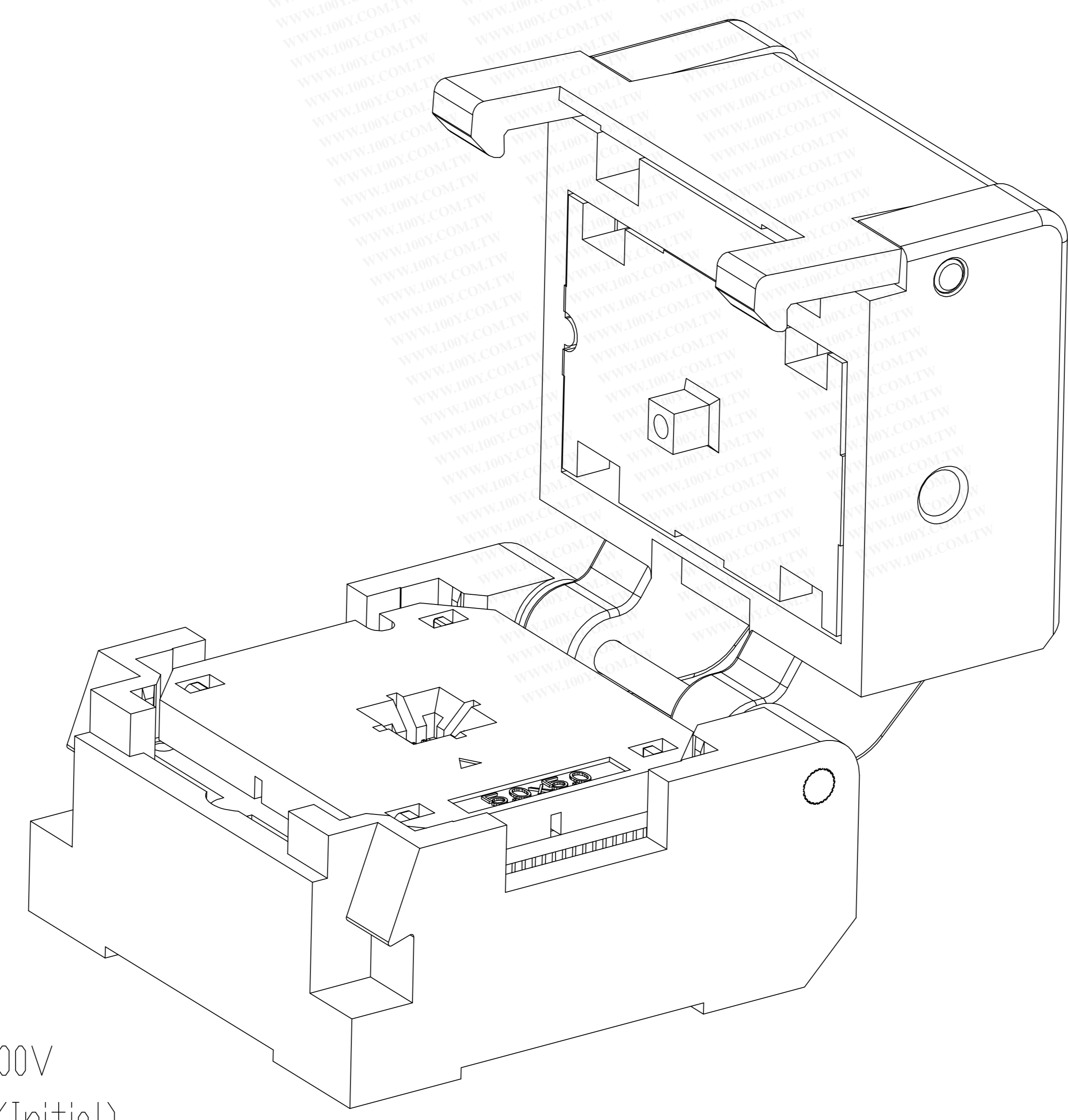
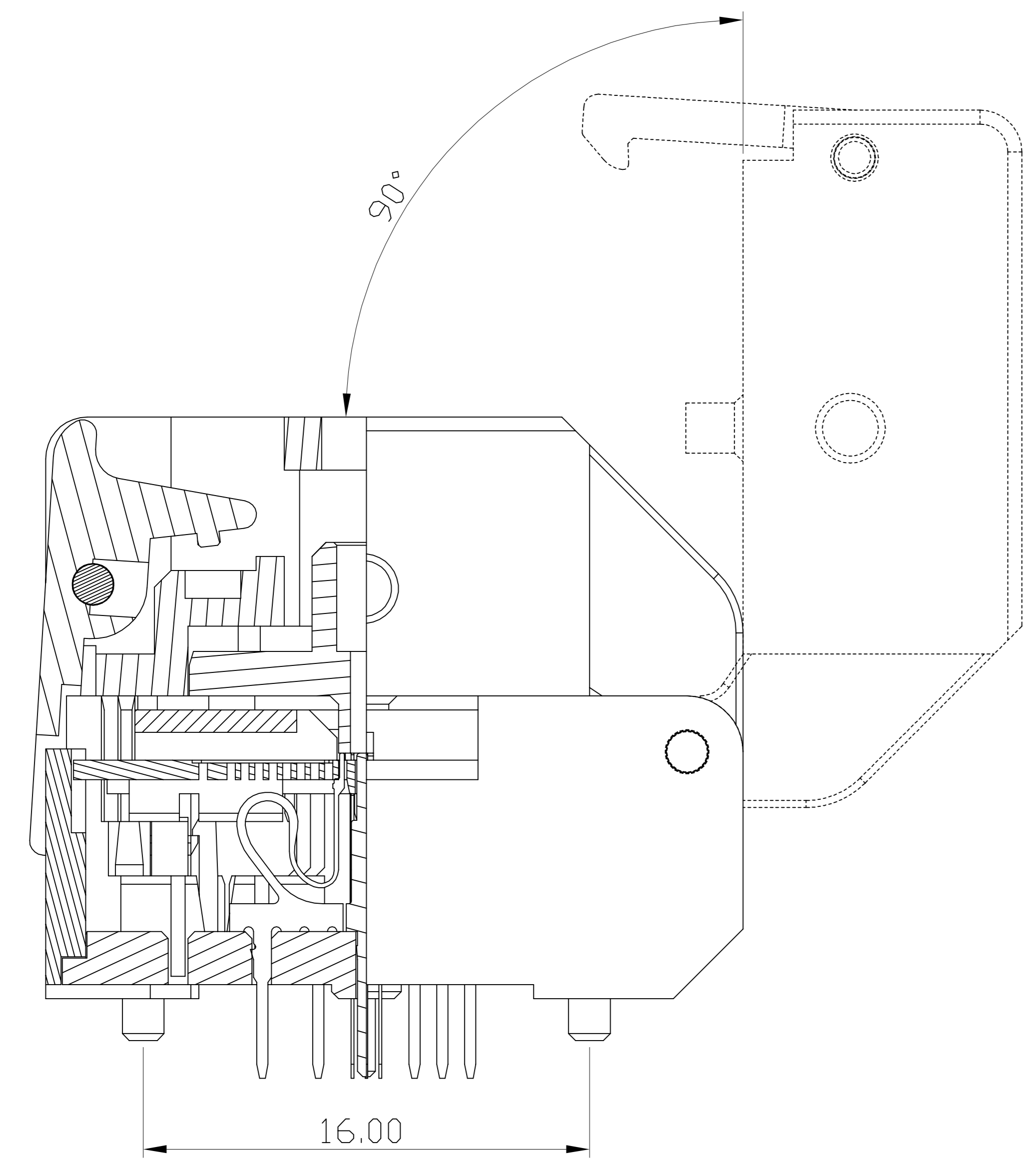
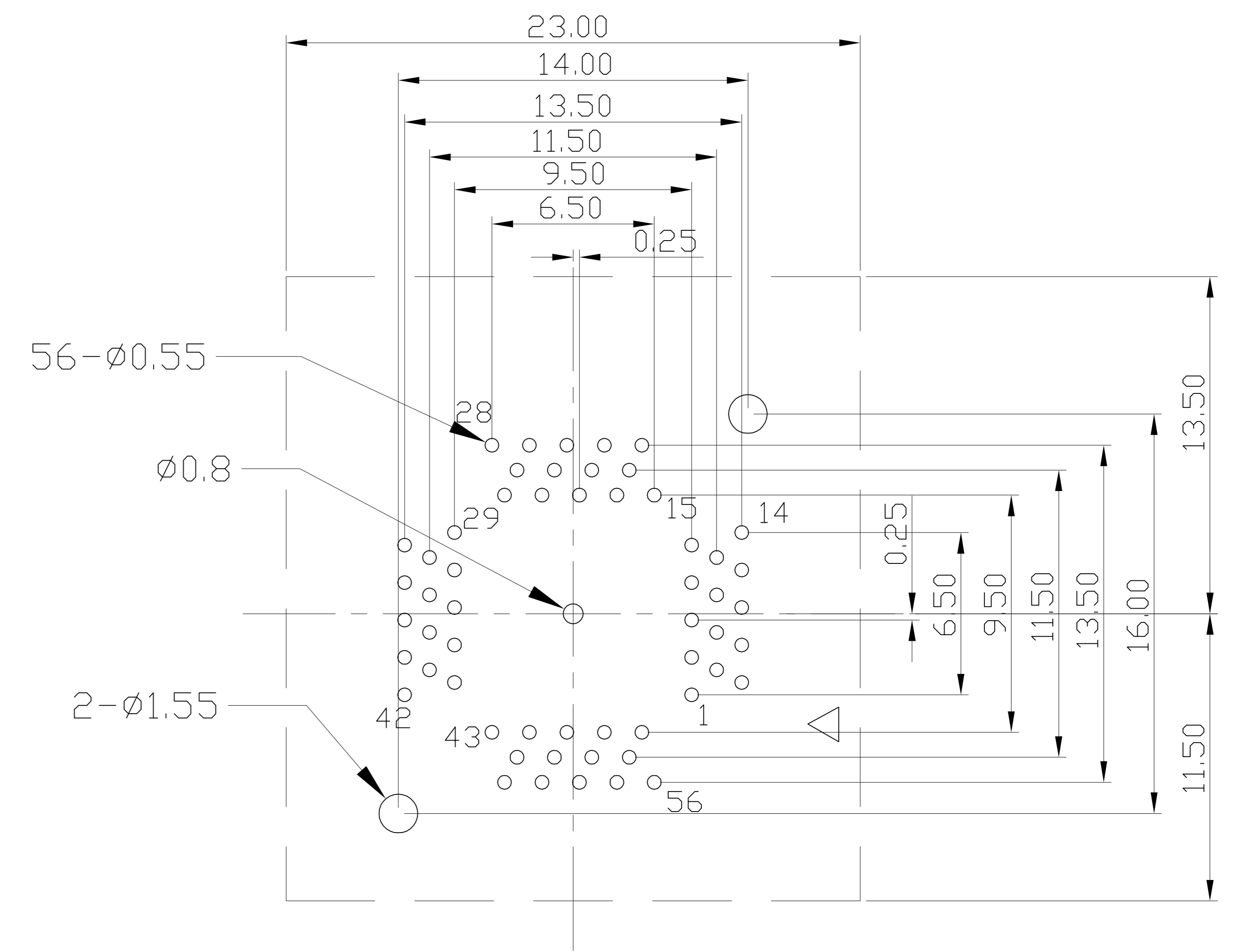


PROJECTION		GENERAL TOLERANCES	±0.10	TITLE	QFN56-0.5 SOCKET
		R E V	A	CLASS	7L-24056B-201
DIMENSION:	mm	SCALE:	1:1	DRW. NO	7L-PWQFN-0.5-56-B-01
APP:		DATE:			
CHECK:		DATE:			
DECK:		DATE:	20120822		

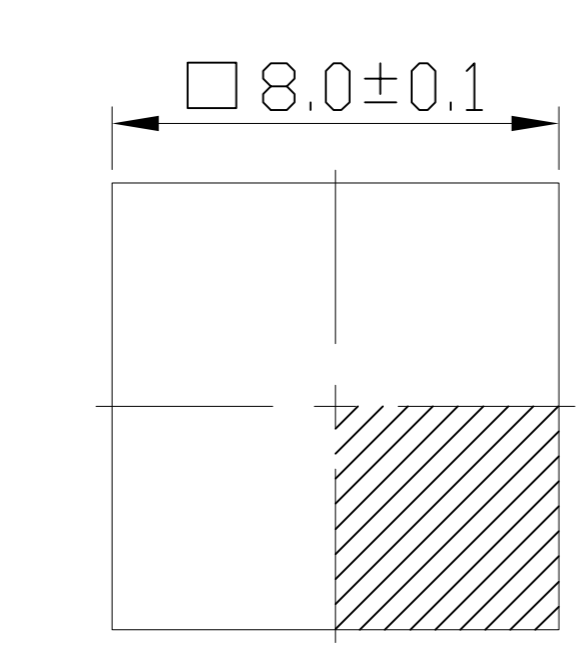
REVISION	DESCRIPTION	CHECK	APP	DATE	REV. NOTICE. NO
△ 1					
△ 2					
△ 3					



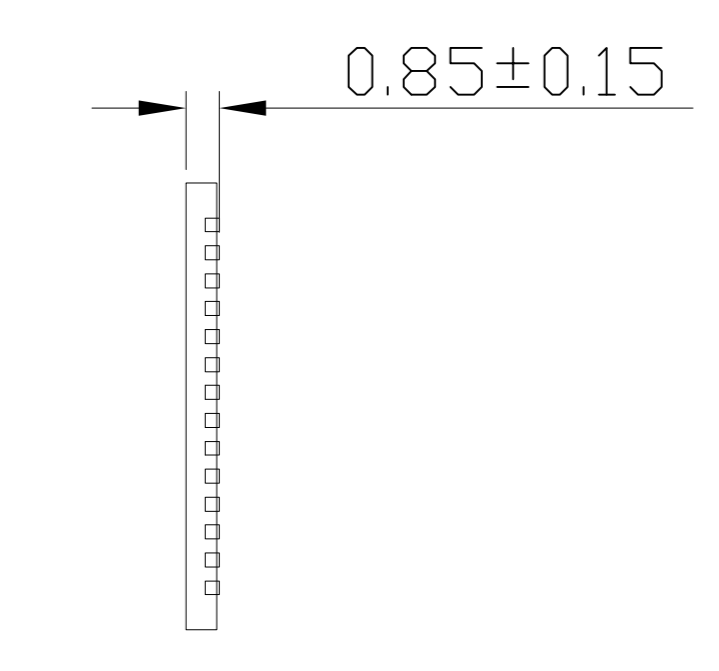
PCB Pattern(TOP View)



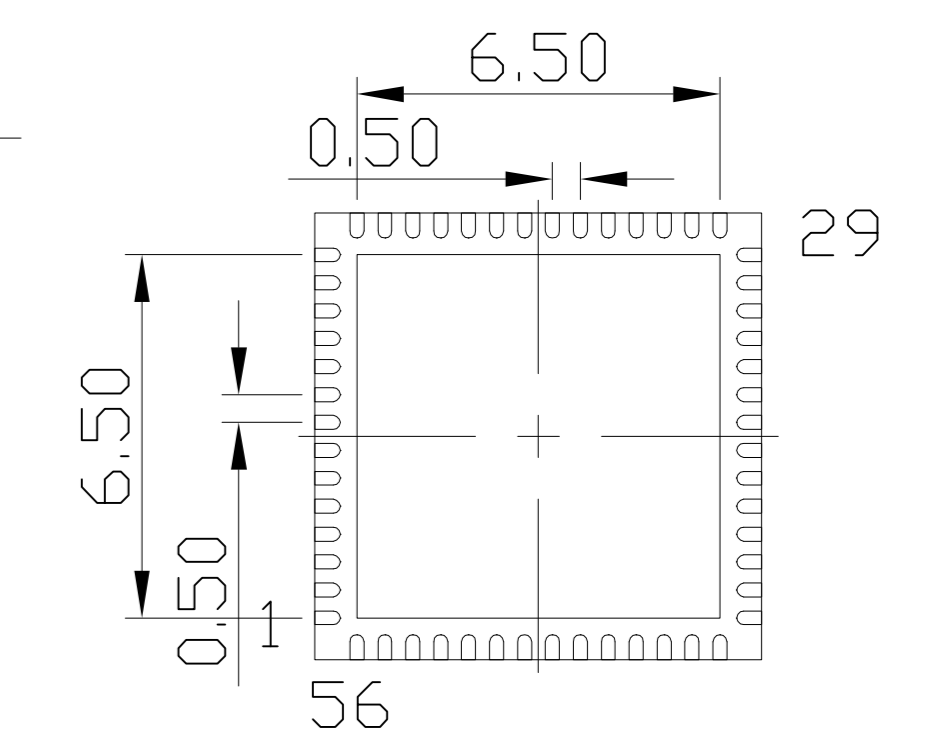
Applicable IC



TOP VIEW



SIDE VIEW

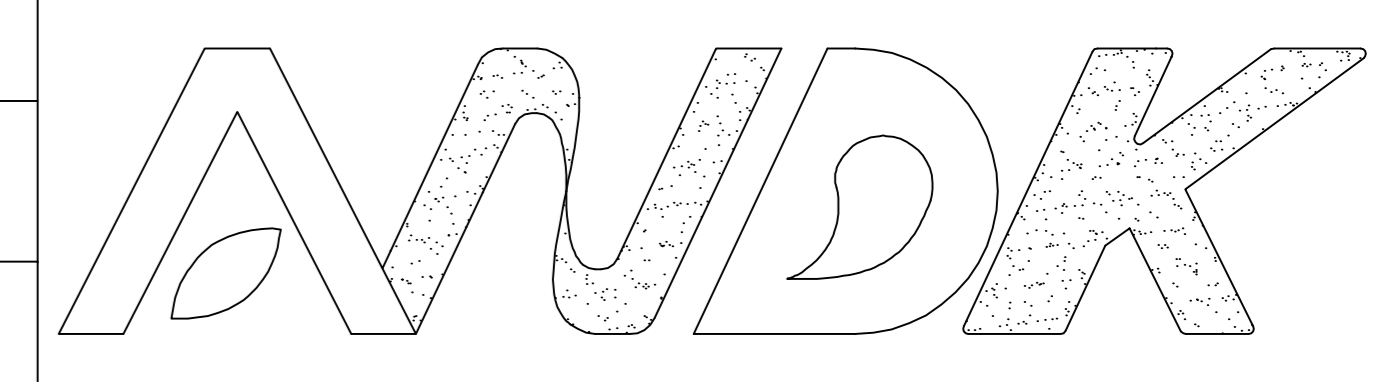


BOTTOM VIEW

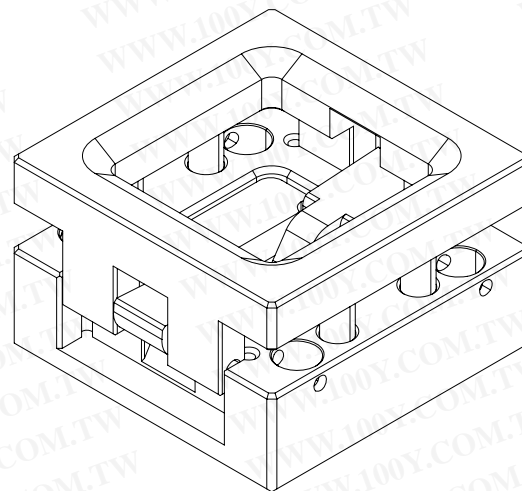
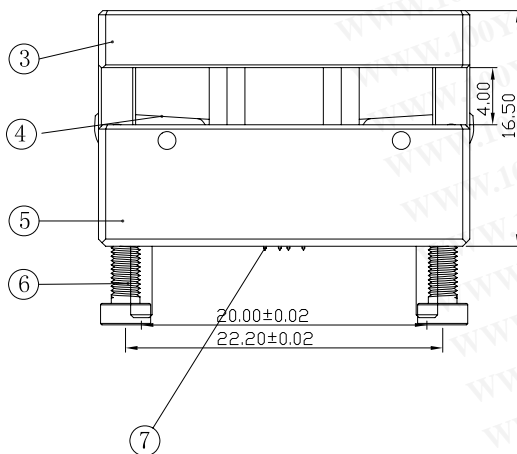
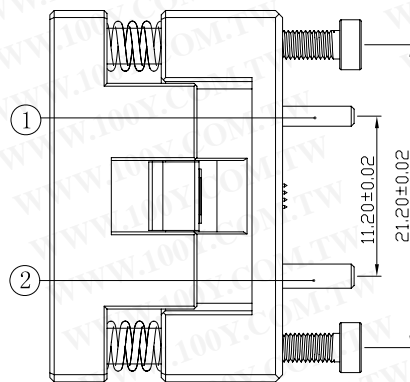
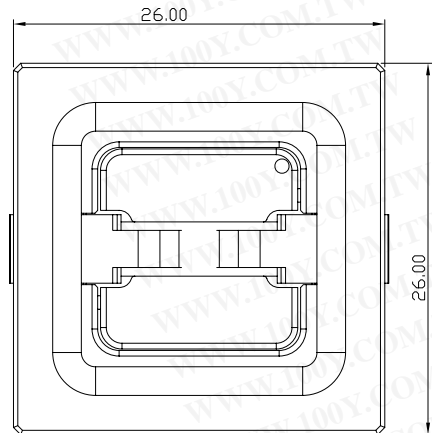
PERFORMANCE

- 1、Insulation Resistance: 1000M $\Omega$  Min.At DC 500V
- 2、Dielectric Withstanding Voltage For 1 Minute At AC 700V
- 3、Contact Resistance 30m $\Omega$  MAX. at 10mA and 20mV MAX.(Initial)
- 4、Current Rating: 1A max.
- 5、Operation Temperature -40°C ~+155°C
- 6、Life Span 15,000 Times (Mechanical)
- 7、Operation Force 2.0 Kg MAX

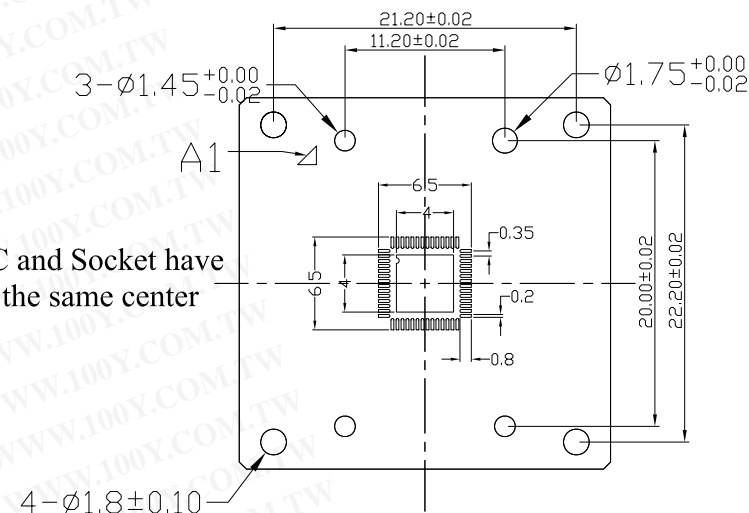
TOLERANCE	PROJECTION	GENERAL TOLERANCES	±0.10	TITLE	QFN56-0.5 SOCKET
X.	± 0.50	DIMENSION: mm	SCALE: 1:1	CLASS	QFN56-0.5-CP01GT
X.X	± 0.25	APP:	DATE:		
X.XX	± 0.10	CHECK:	DATE:		
X.XXX	± 0.05	DEGK: ENG03	DATE: 20150606		



REVISION	DESCRIPTION	CHECK	DATE	REV. NOTICE NO
△1				
△2				
△3				

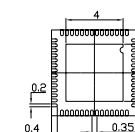
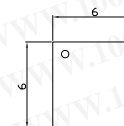


PCB PATTERN (TOP VIEW)



IC and Socket have the same center

APPL ICABLE IC



TOP

SIDE

BOTTOM

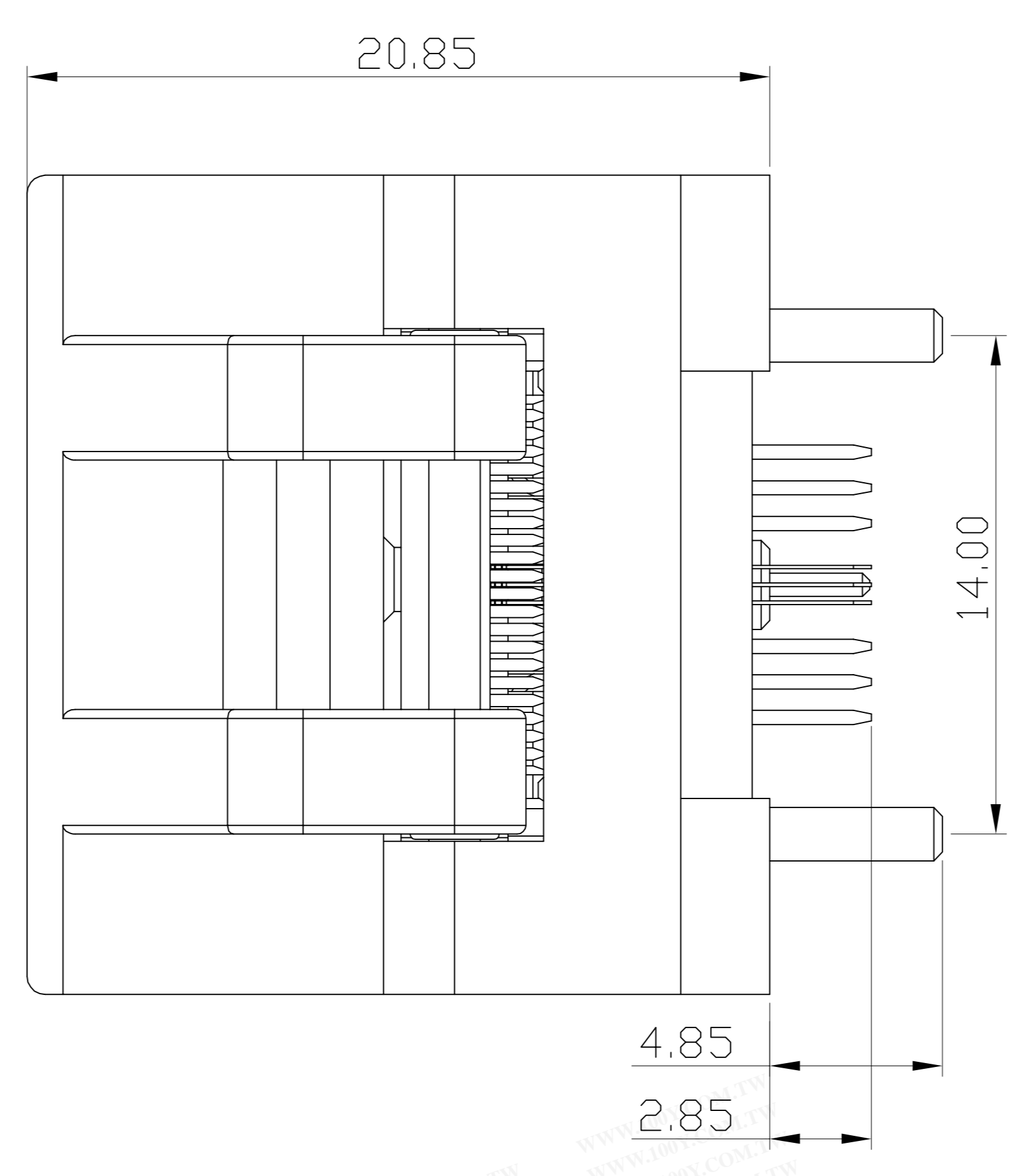
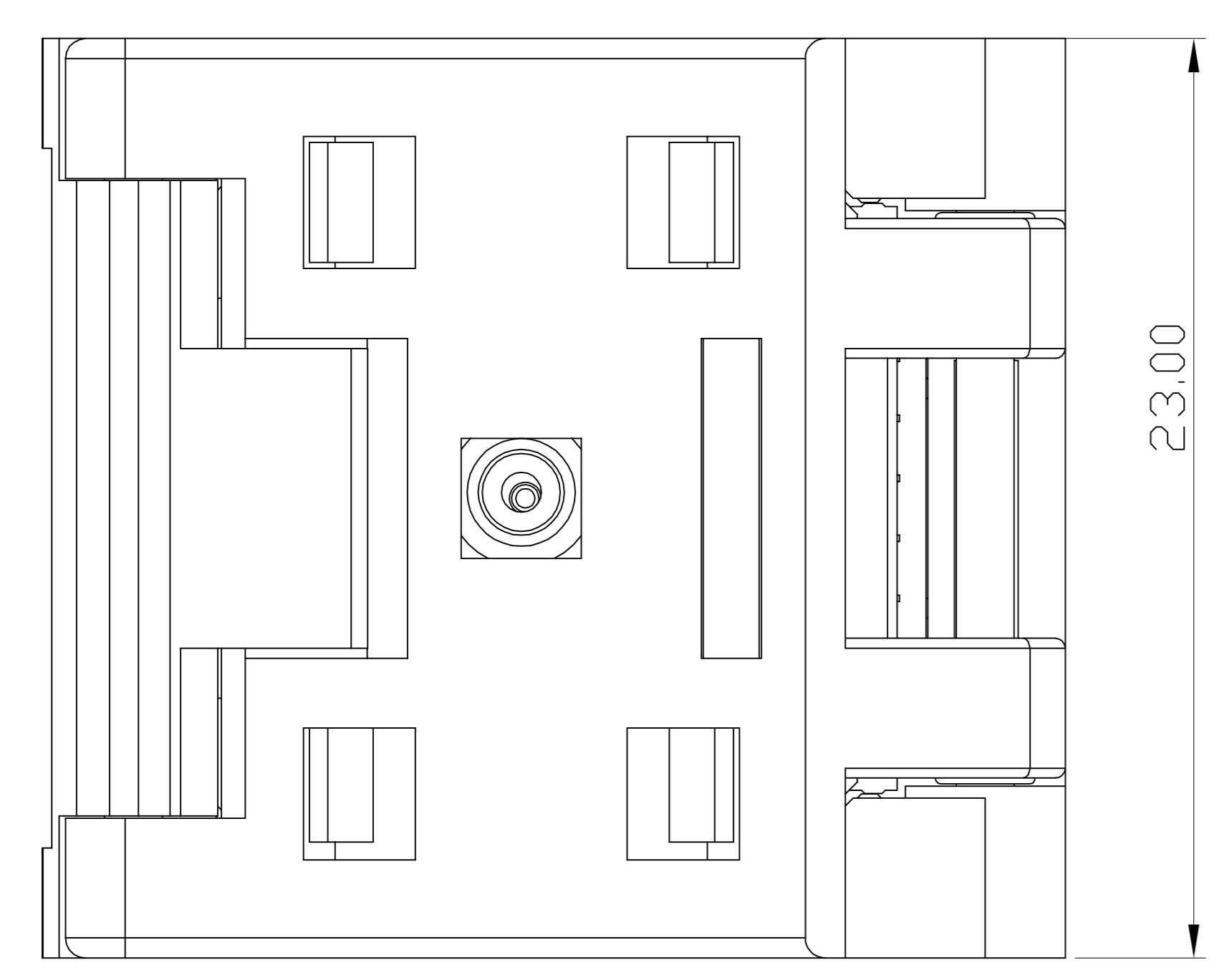
PERFORMANCE

- 1、Insulation Resistance: 1000MΩ Min.At DC 500V
- 2、Dielectric Withstanding Voltage For 1 Minute At AC 700V
- 3、Contact Resistance 30MΩ MAX. at 10mA and 20mV MAX.(Initial)
- 4、Current Rating: 1A max.
- 5、Operation Temperature 0°C ~+120°C
- 6、Pogopin and locating piece can be replaced!

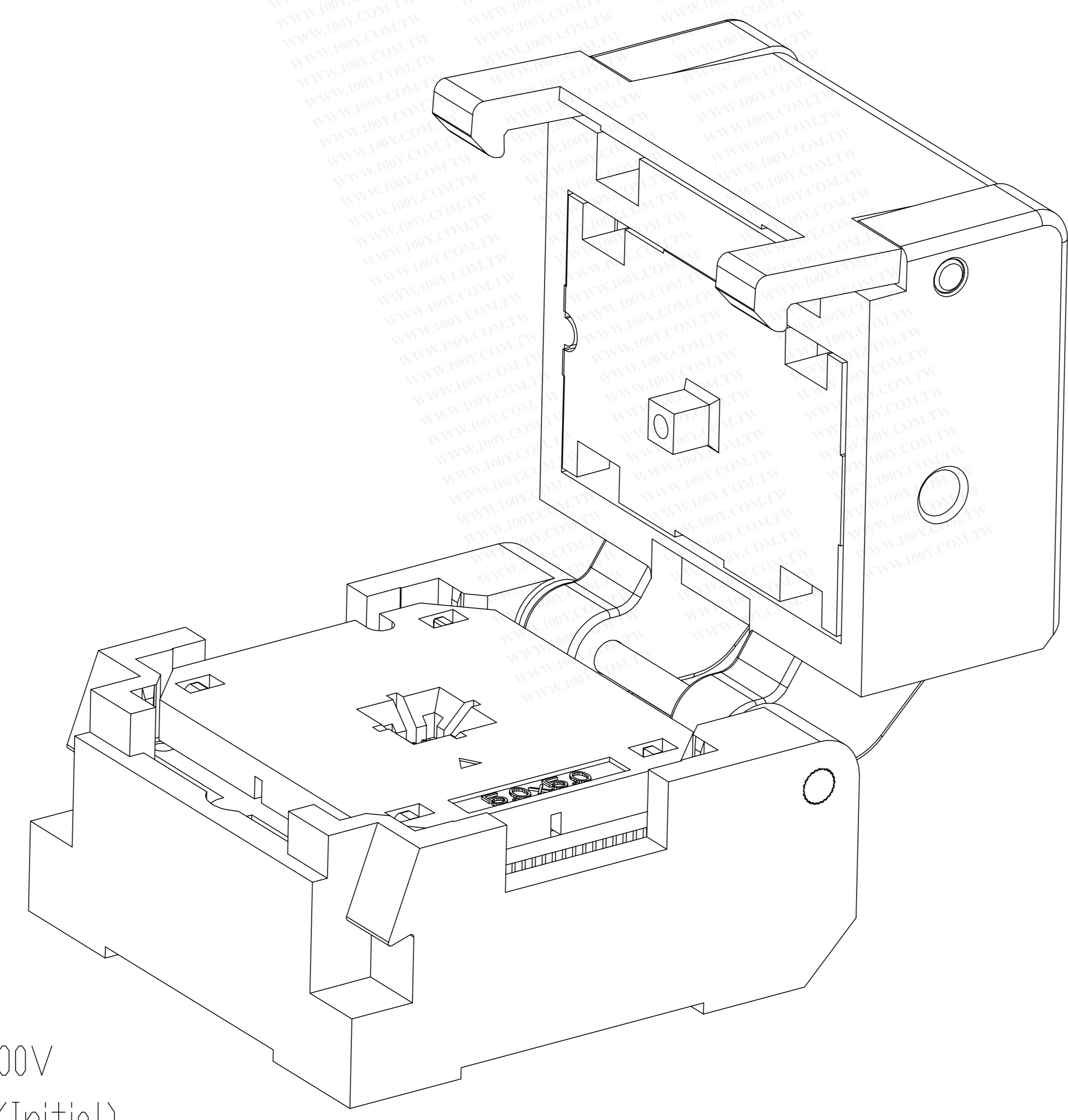
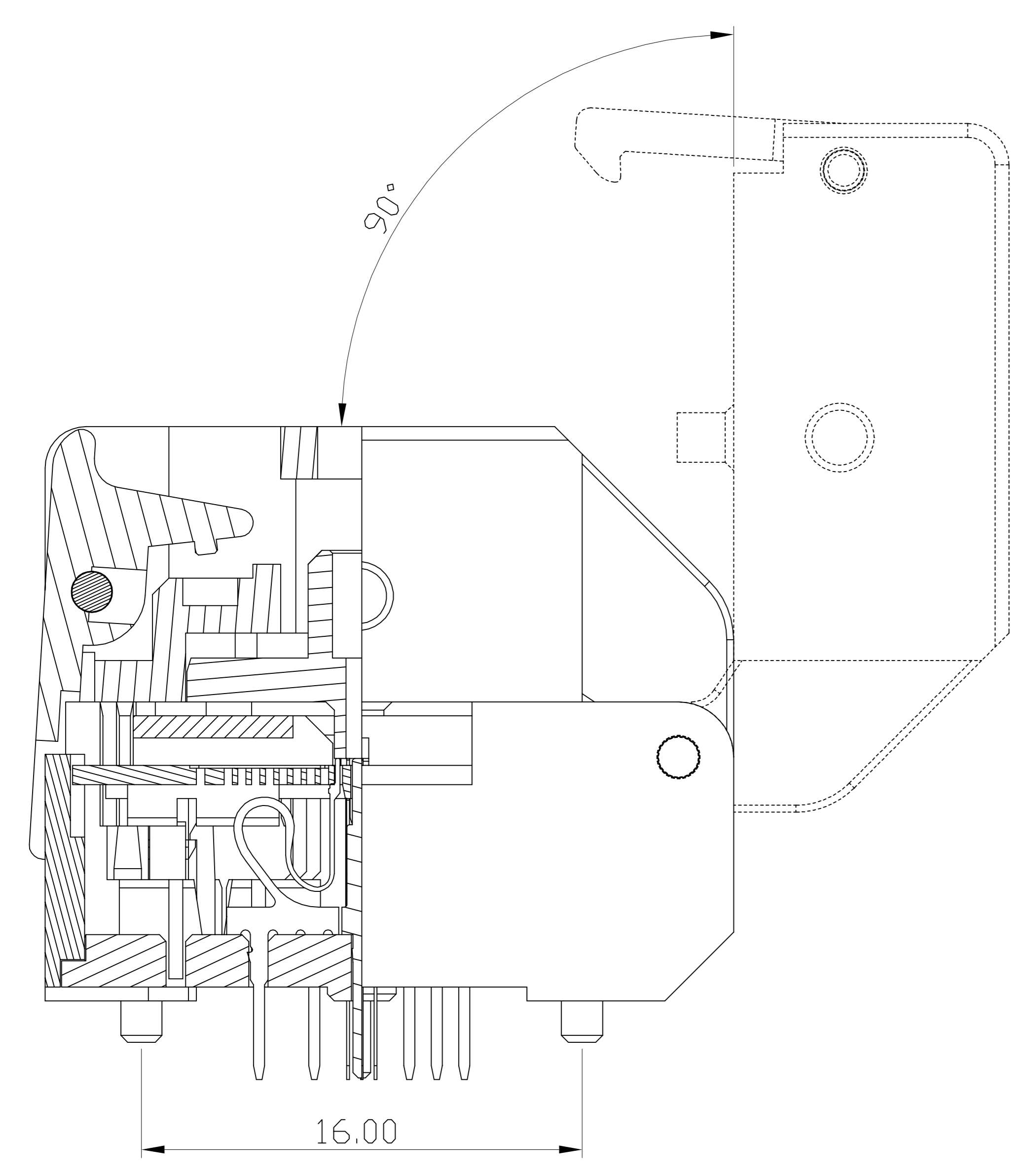
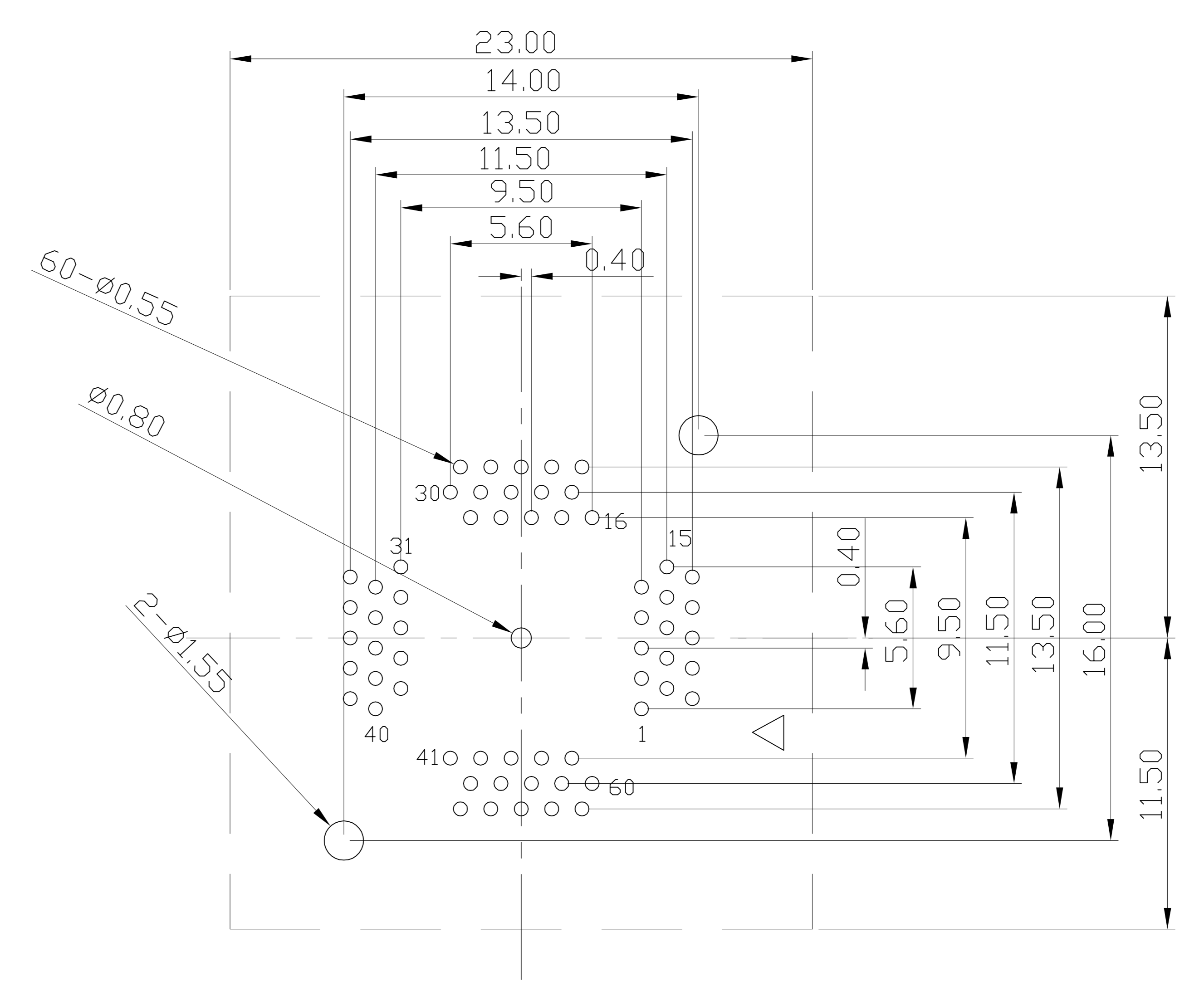
No	Part Number	Name	Material	Q/ty	Note
7	04-A-1733	POG PIN	BeCu	56	AU PLATING
6	06-B-2570	SCREW	STAINLESS	4	M2X5.5L
5	210-048-E105D	BASE	AL6061	1	BEIGE
4	210-048-S105D	IC HOLDER	AL6061	2	BEIGE
3	210-048-D105D	COVER	AL6061	1	
2	09-B-4005	DOWEL PIN	STAINLESS	1	∅1.7X5.0L
1	09-B-4003	DOWEL PIN	STAINLESS	3	∅1.4X5.0L

PROJECTION		GENERAL TOLERANCES	±0.10	TITLE	QFN56-0.35
DIMENSION:	mm	R E V	A	CLASS	OPEN TOP SOCKET
APP:		SCALE:	1:1	DRW. NO	QFN56-0.35-TA01PGL
CHECK:	0914186	DATE:		 KaiZhiTong Micro Electronic L., Ltd <a href="http://www.icsocket.net">http://www.icsocket.net</a> www.kzt.cc	
DECK:	ENG08-ZQ	DATE:	20170510		

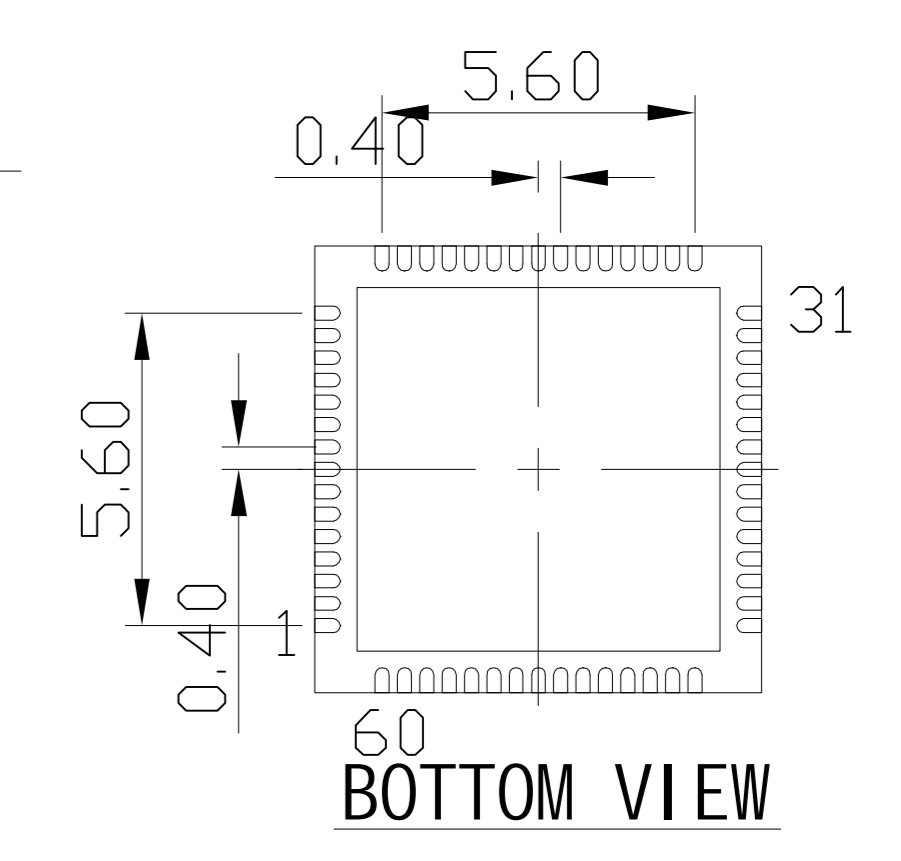
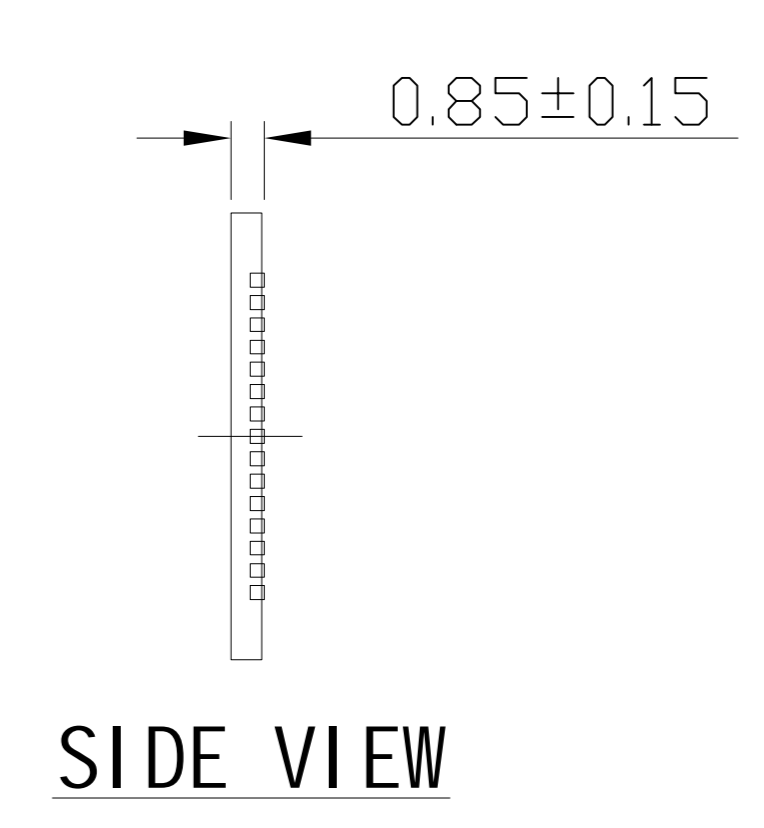
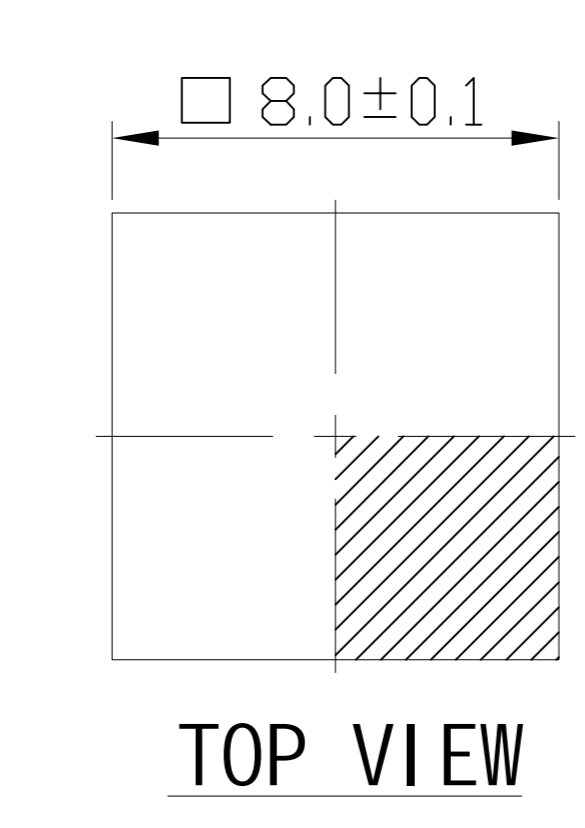
REVISION	DESCRIPTION	CHECK	APP	DATE	REV. NOTICE. NO
△ 1					
△ 2					
△ 3					



PCB Pattern(TOP View)



Applicable IC



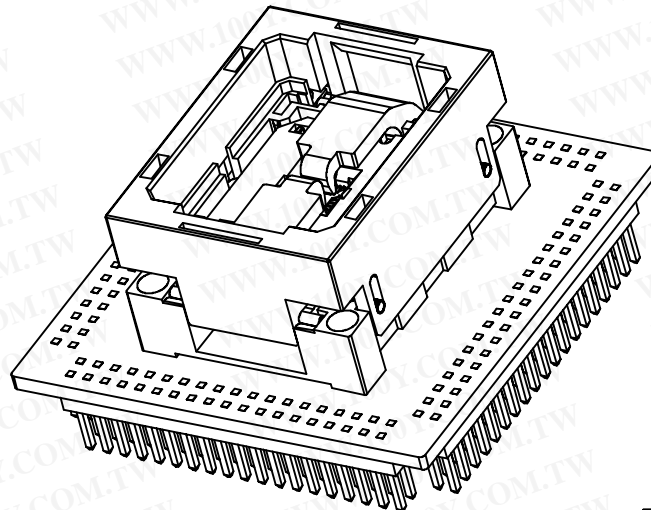
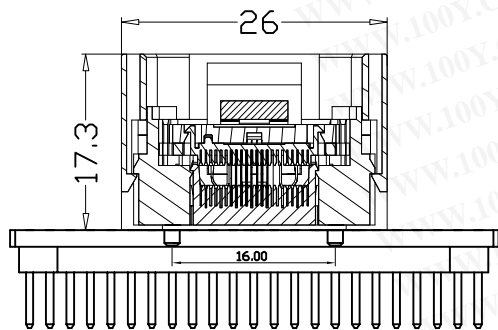
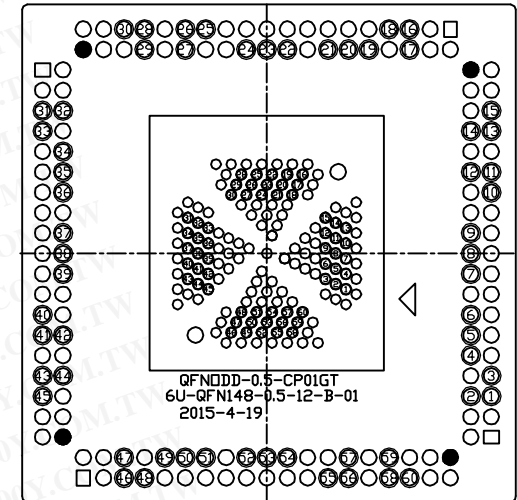
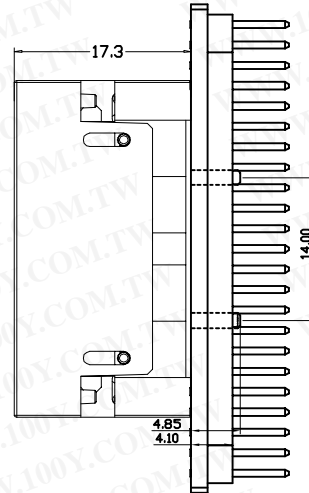
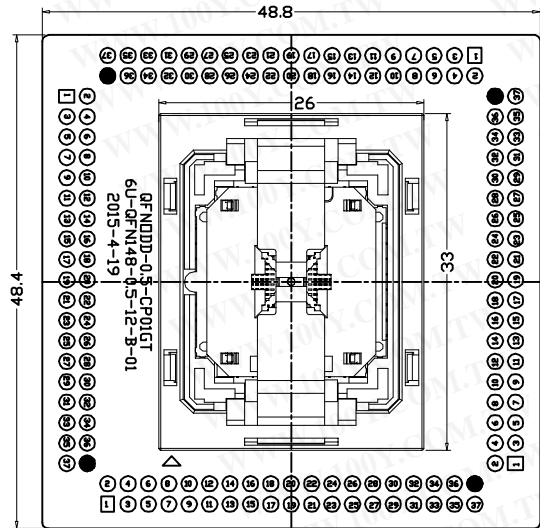
PERFORMANCE

- 1、Insulation Resistance: 1000M $\Omega$  Min.At DC 500V
- 2、Dielectric Withstanding Voltage For 1 Minute At AC 700V
- 3、Contact Resistance 30m $\Omega$  MAX. at 10mA and 20mV MAX.(Initial)
- 4、Current Rating: 1A max.
- 5、Operation Temperature -55°C ~+175°C
- 6、Life Span 15,000 Times (Mechanical)
- 7、Operation Force 2.0 Kg MAX

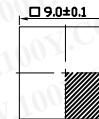
TOLERANCE	PROJECTION	GENERAL TOLERANCES	±0.10	TITLE	QFN60-0.4 SOCKET
X.	± 0.50	DIMENSION: mm	SCALE: 1:1	CLASS	QFN60-0.4-CP01GT
X.X	± 0.25	APP:	DATE:	DRW. NO	6U-PWQFN-0.4-60-8X8-01
X.XX	± 0.10	CHECK:	DATE:		
X.XXX	± 0.05	DEGK: ENG03	DATE: 20150606		

REVISION	DESCRIPTION	CHECK	APP	DATE	REV. NOTICE. NO
△1					
△2					
△3					

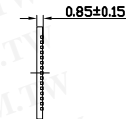
# QFN 奇数万能转接板连线图



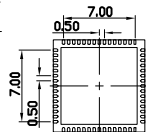
### Applicable IC



TOP VIEW



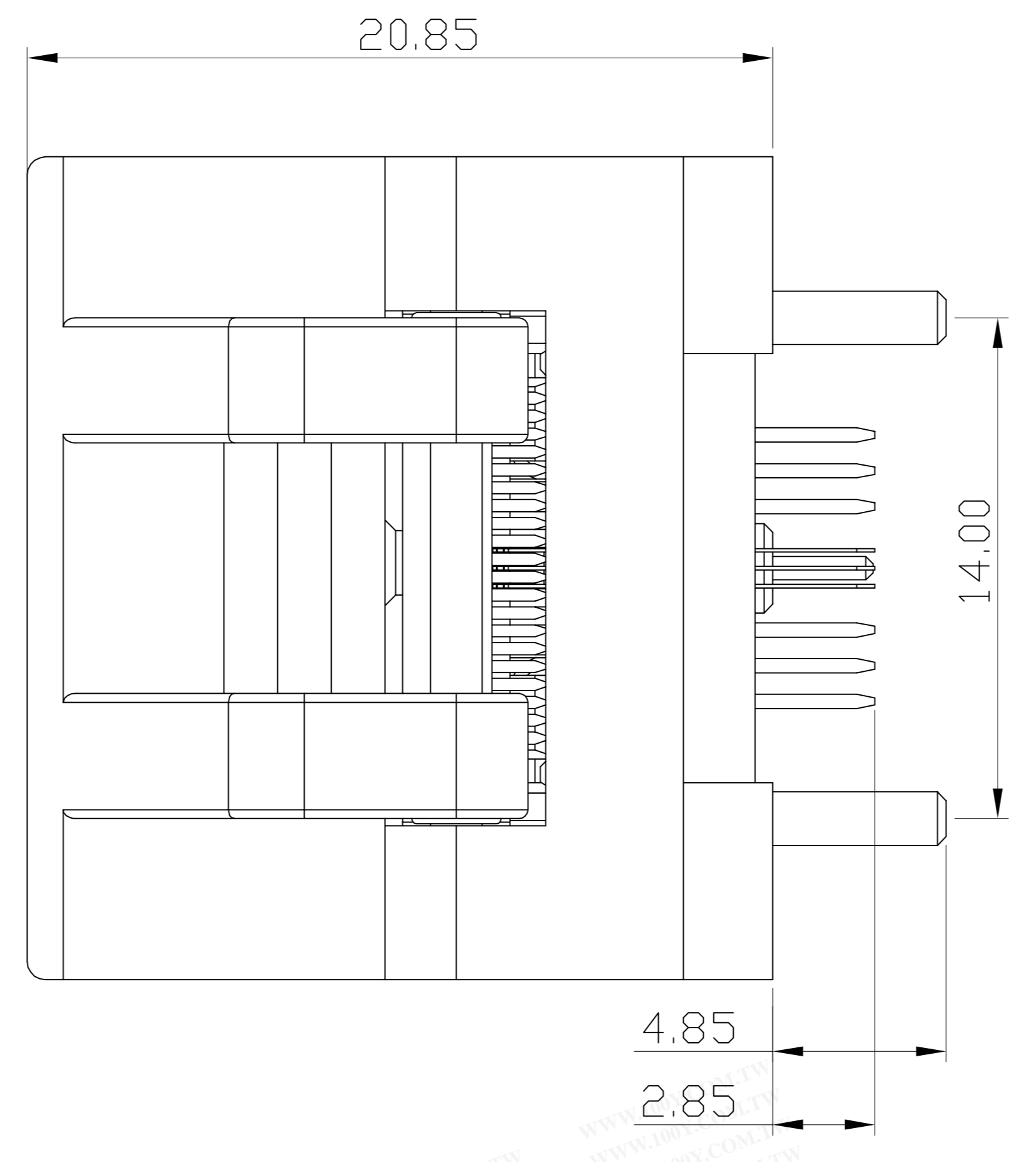
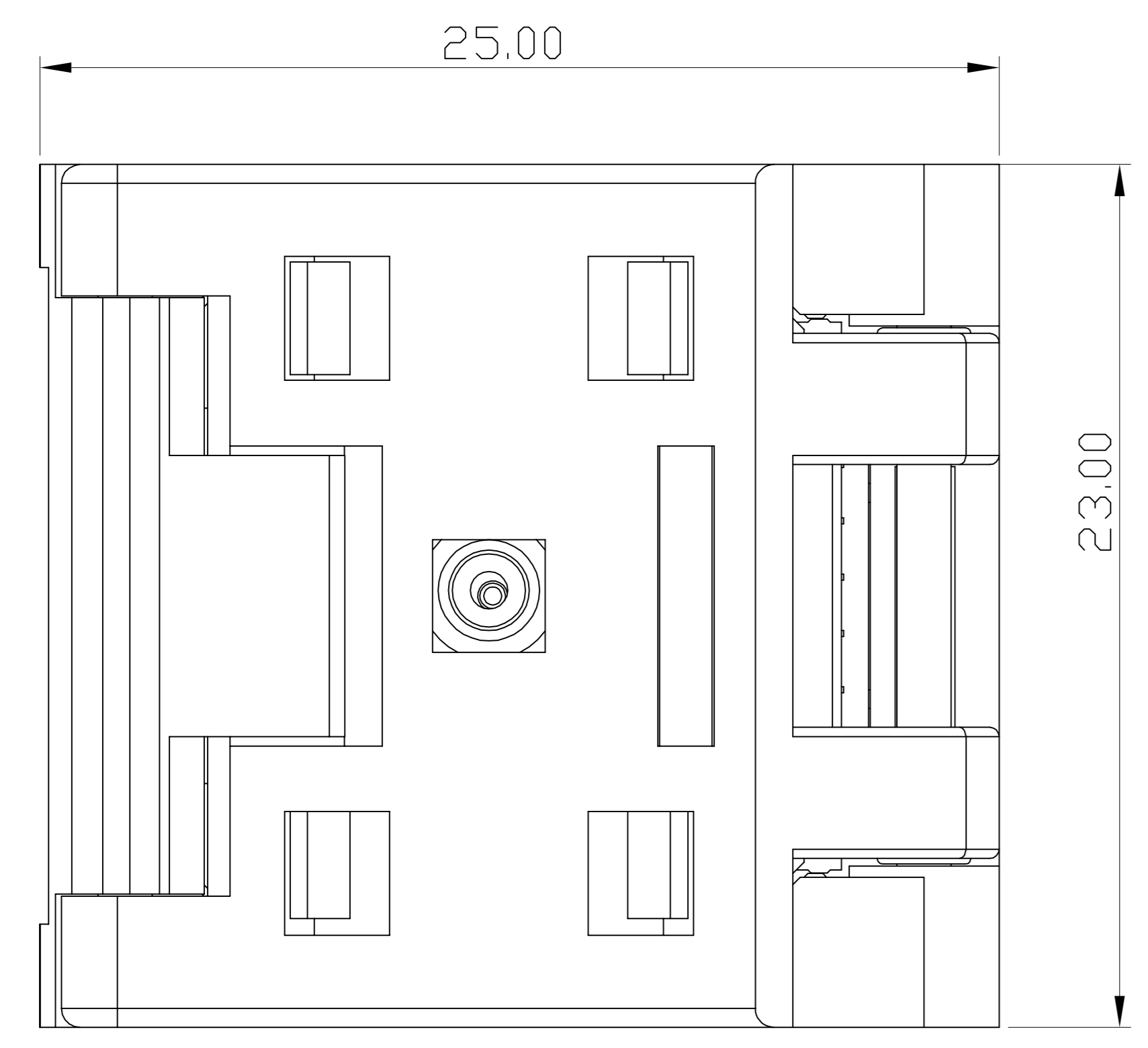
SIDE VIEW



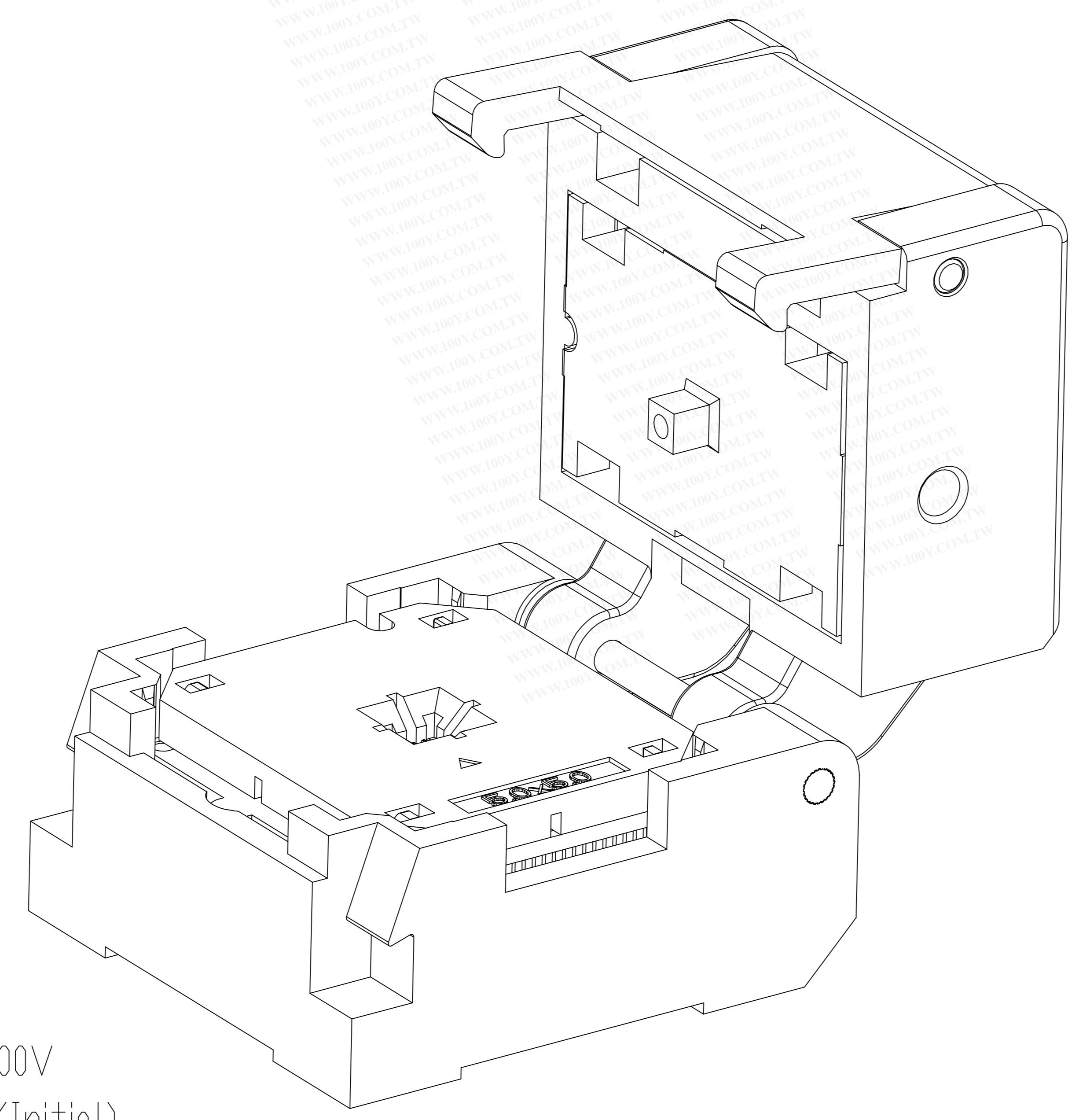
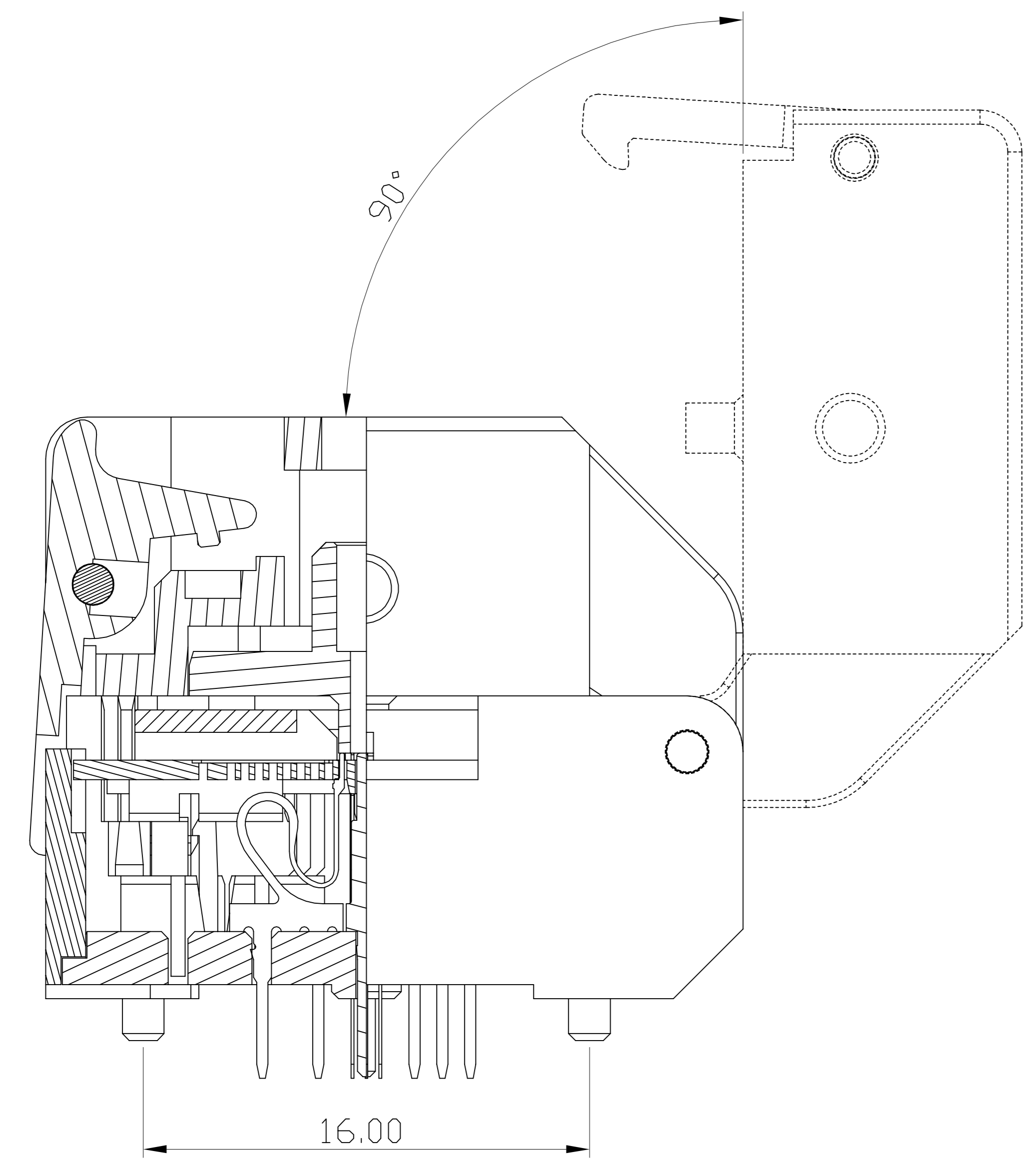
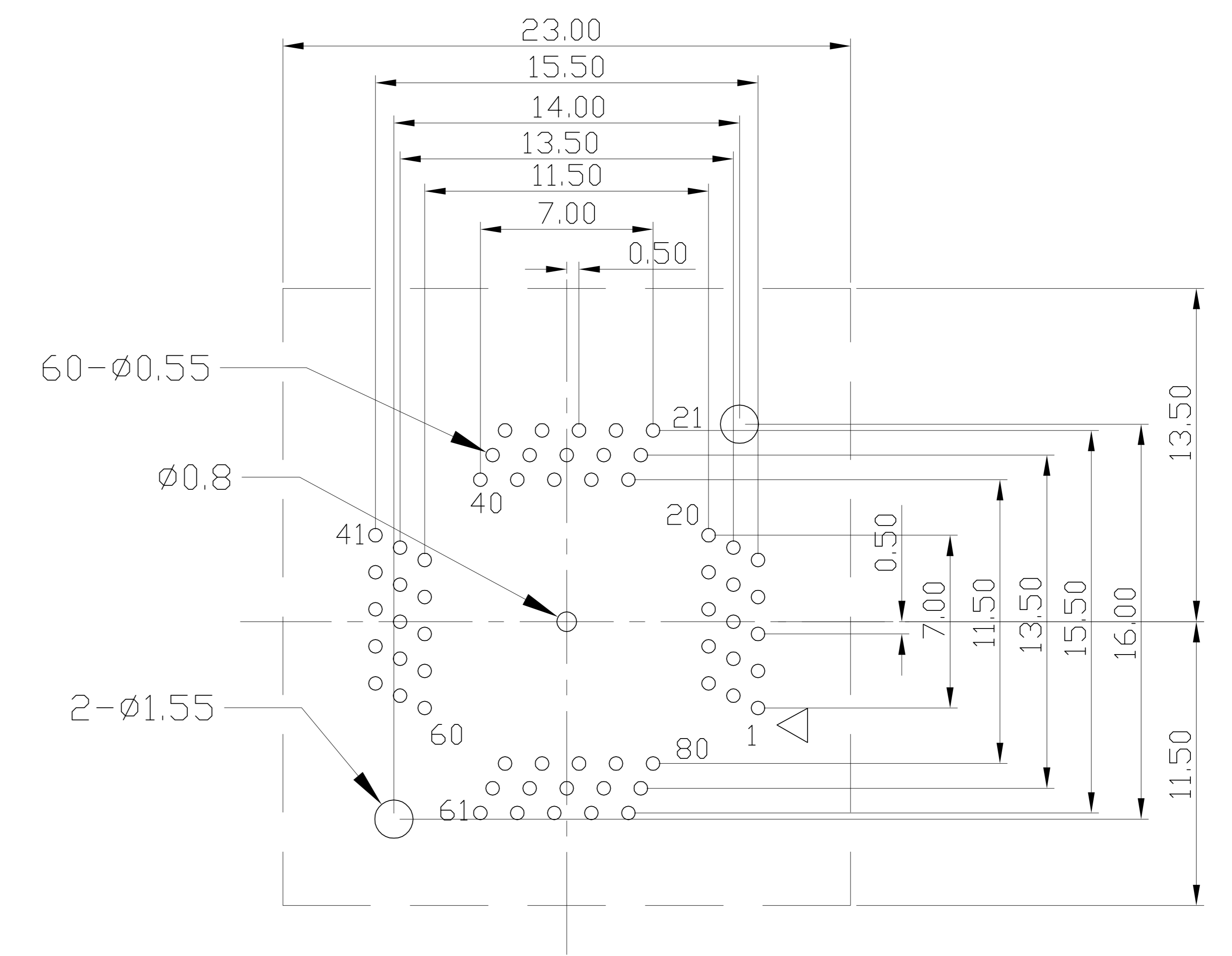
BOTTOM VIEW

PROJECTION		GENERAL TOLERANCES	±0.10	TITLE	QFN60-0.5 SOCKET
		R E V	A	CLASS	7L-24060B-101
DIMENSION:	mm	SCALE:	1:1	DRW. NO	7L-PWQFN-0.5-60-B-01
APP:		DATE:			
CHECK:		DATE:			
DECK:		DATE:	20120822		

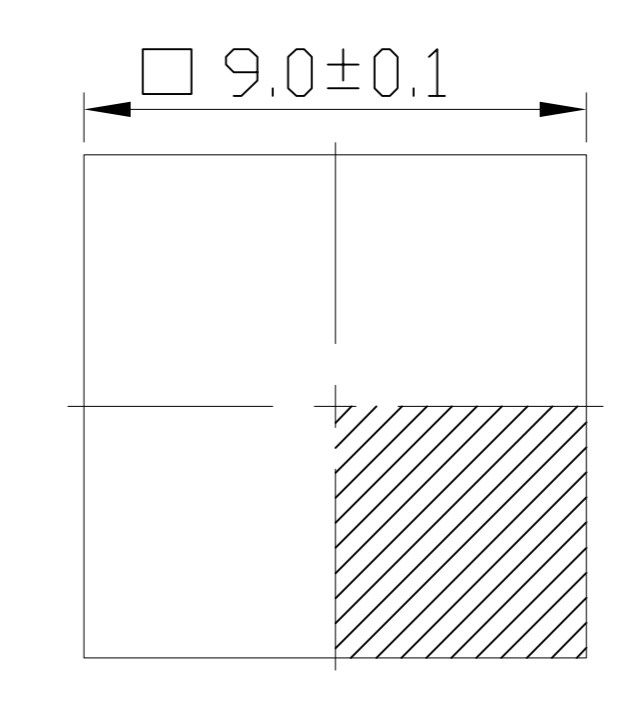
REVISION	DESCRIPTION	CHECK	APP	DATE	REV. NOTICE. NO
△ 1					
△ 2					
△ 3					



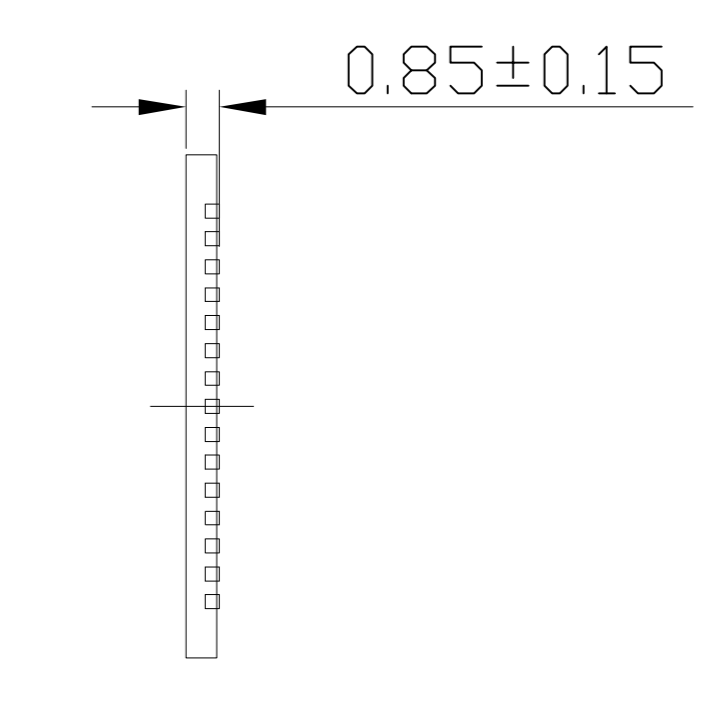
PCB Pattern(TOP View)



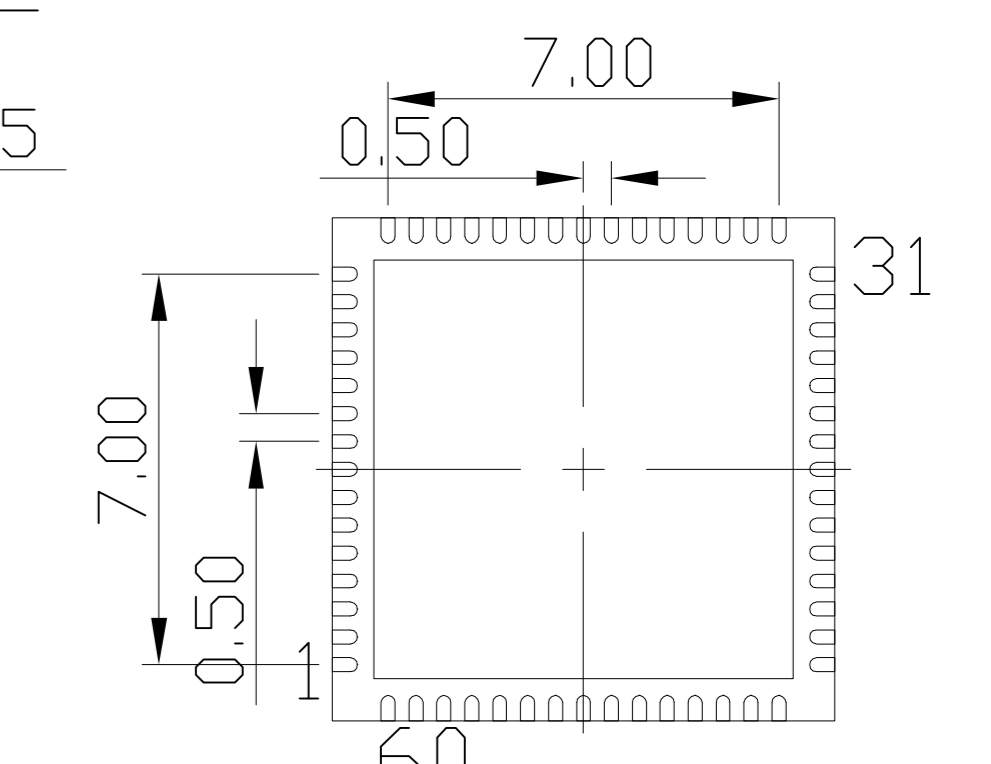
Applicable IC



TOP VIEW



SIDE VIEW



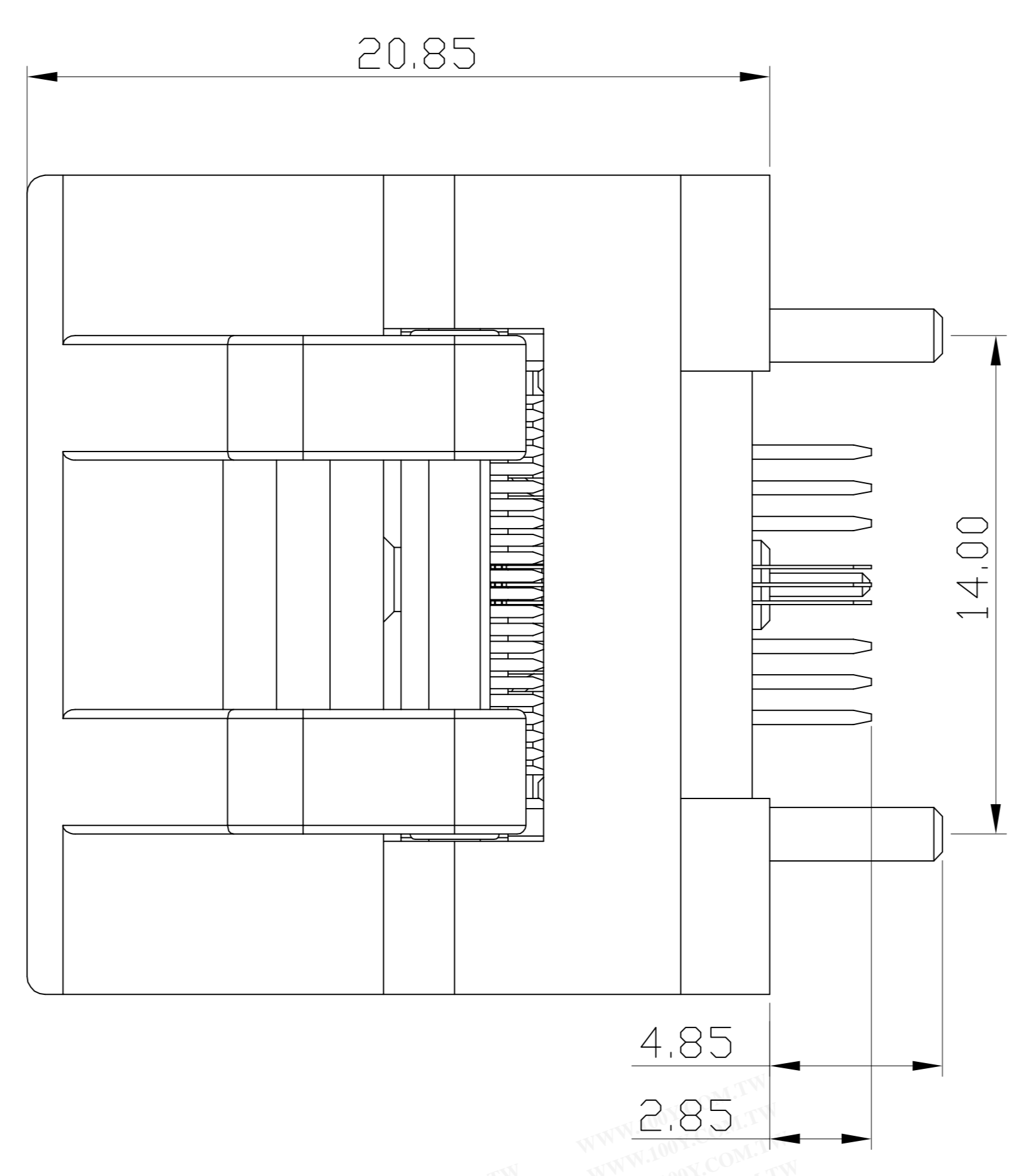
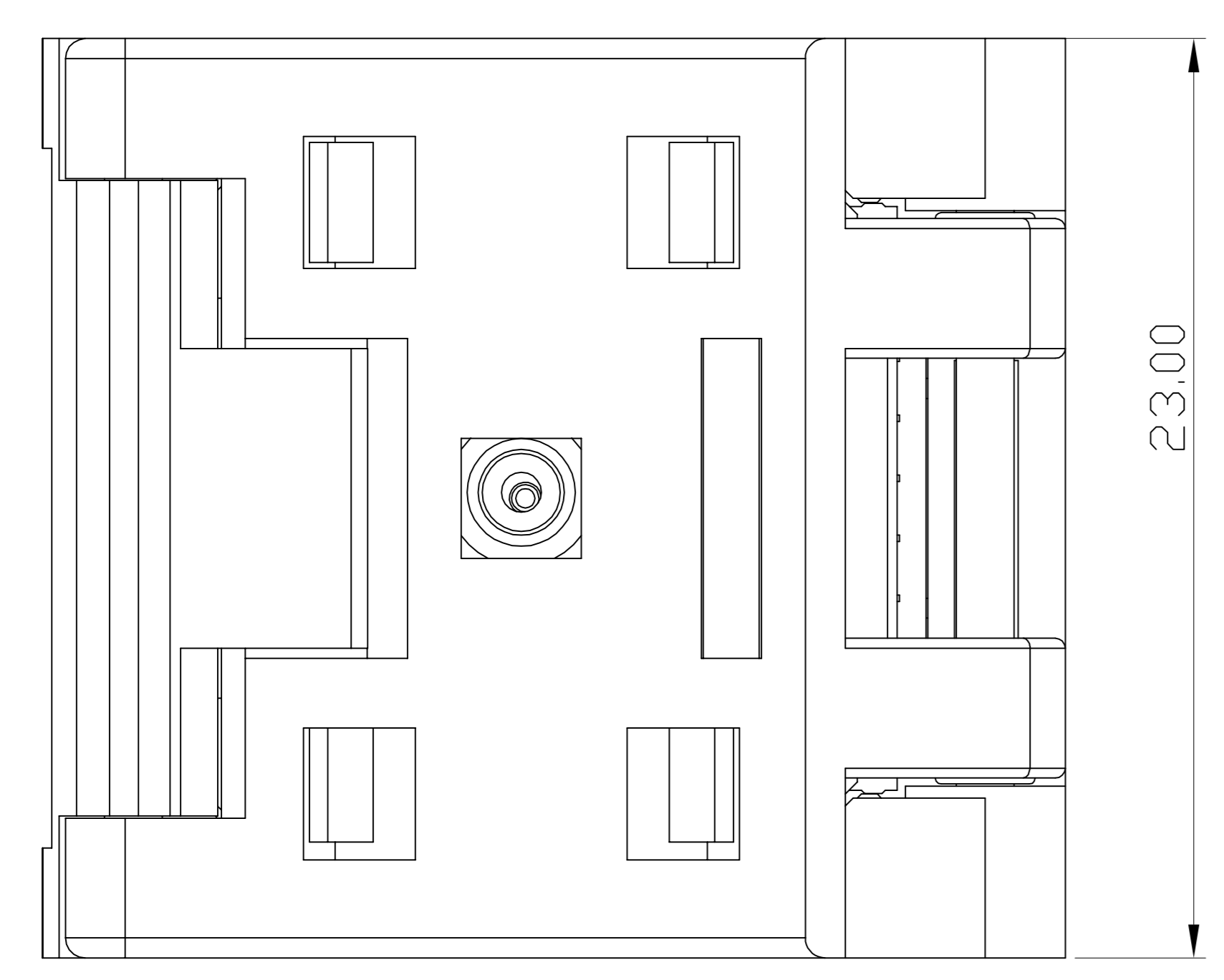
BOTTOM VIEW

PERFORMANCE

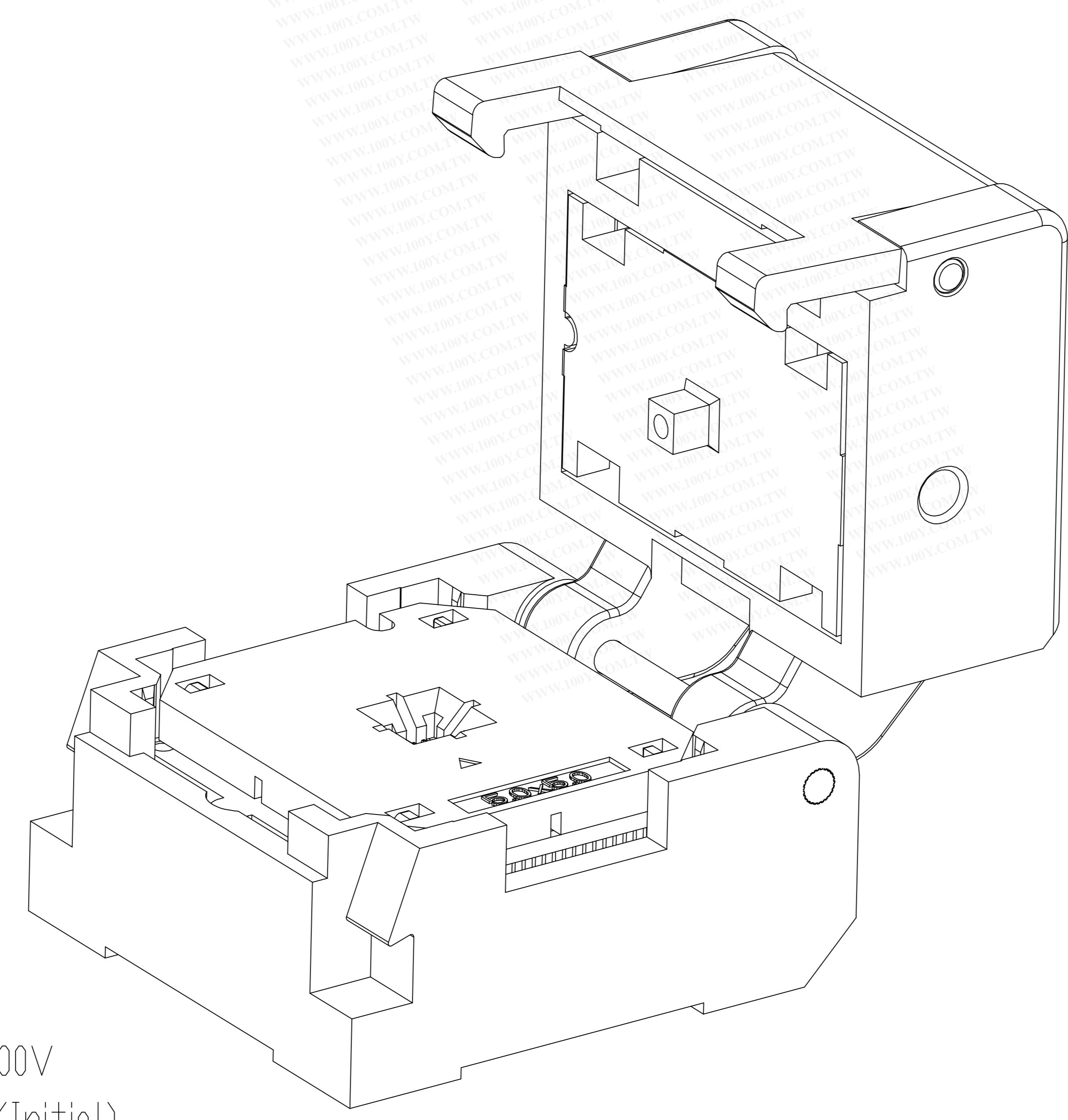
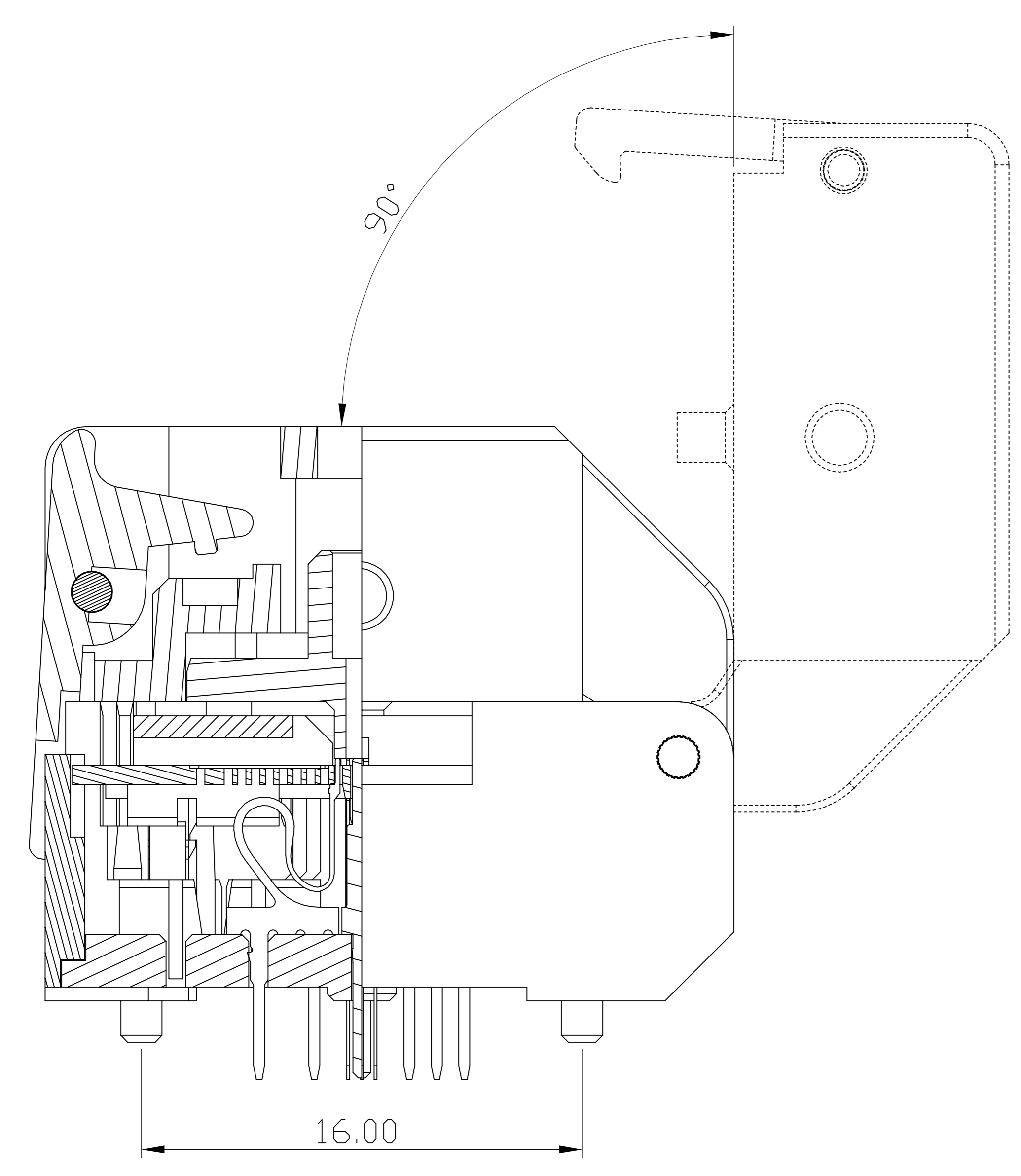
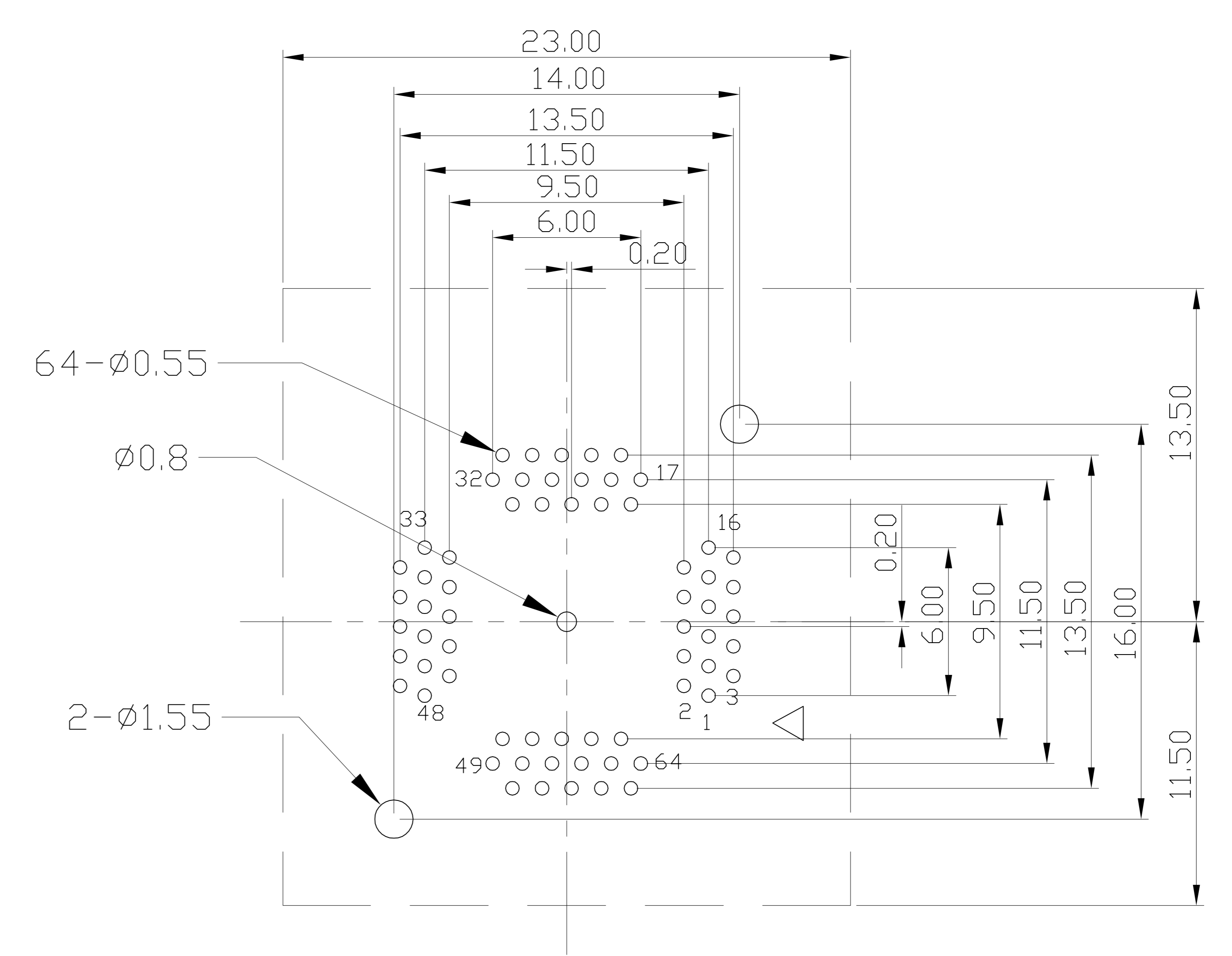
1. Insulation Resistance: 1000M $\Omega$  Min.At DC 500V
2. Dielectric Withstanding Voltage For 1 Minute At AC 700V
3. Contact Resistance 30m $\Omega$  MAX. at 10mA and 20mV MAX.(Initial)
4. Current Rating: 1A max.
5. Operation Temperature -40°C ~+155°C
6. Life Span 15,000 Times (Mechanical)
7. Operation Force 2.0 Kg MAX

TOLERANCE	PROJECTION	GENERAL TOLERANCES	±0.10	TITLE	QFN60-0.5 SOCKET
X.	± 0.50	DIMENSION: mm	SCALE: 1:1	CLASS	QFN60-0.5-CP01GT
X.X	± 0.25	APP:	DATE:	DRW. NO	6U-PWQFN-0.5-60-9X9-01
X.XX	± 0.10	CHECK:	DATE:		
X.XXX	± 0.05	DEGK: ENG03	DATE: 20150606		

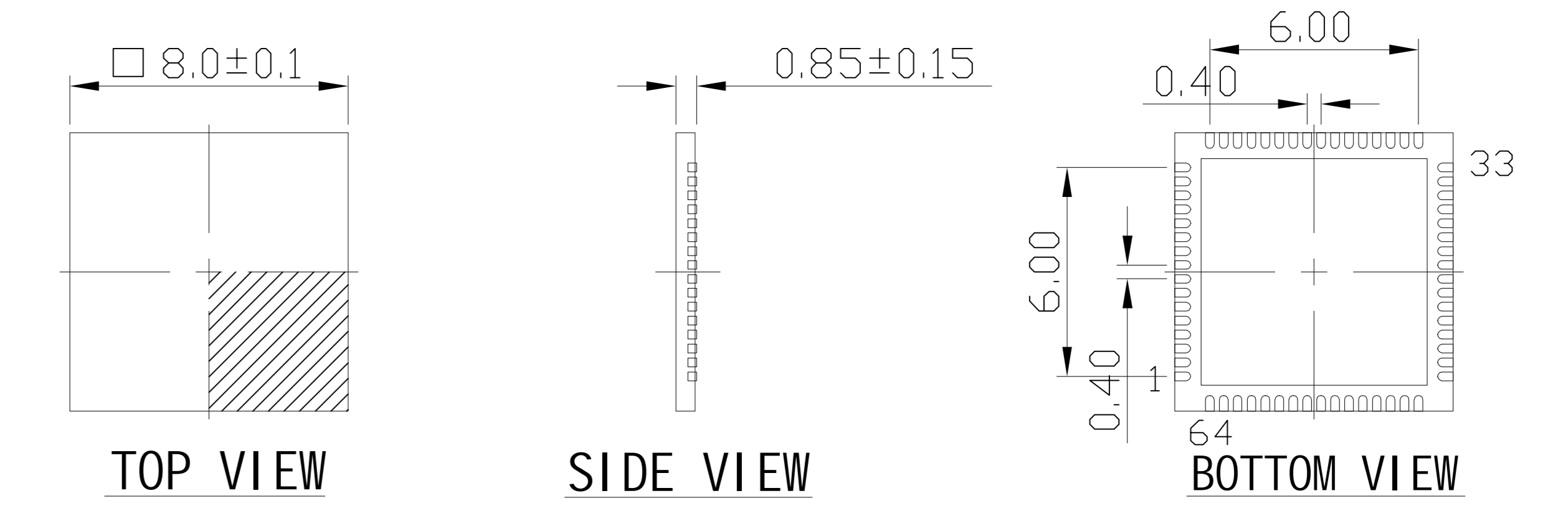
REVISION	DESCRIPTION	CHECK	APP	DATE	REV. NOTICE. NO
△ 1					
△ 2					
△ 3					



PCB Pattern(TOP View)



Applicable IC

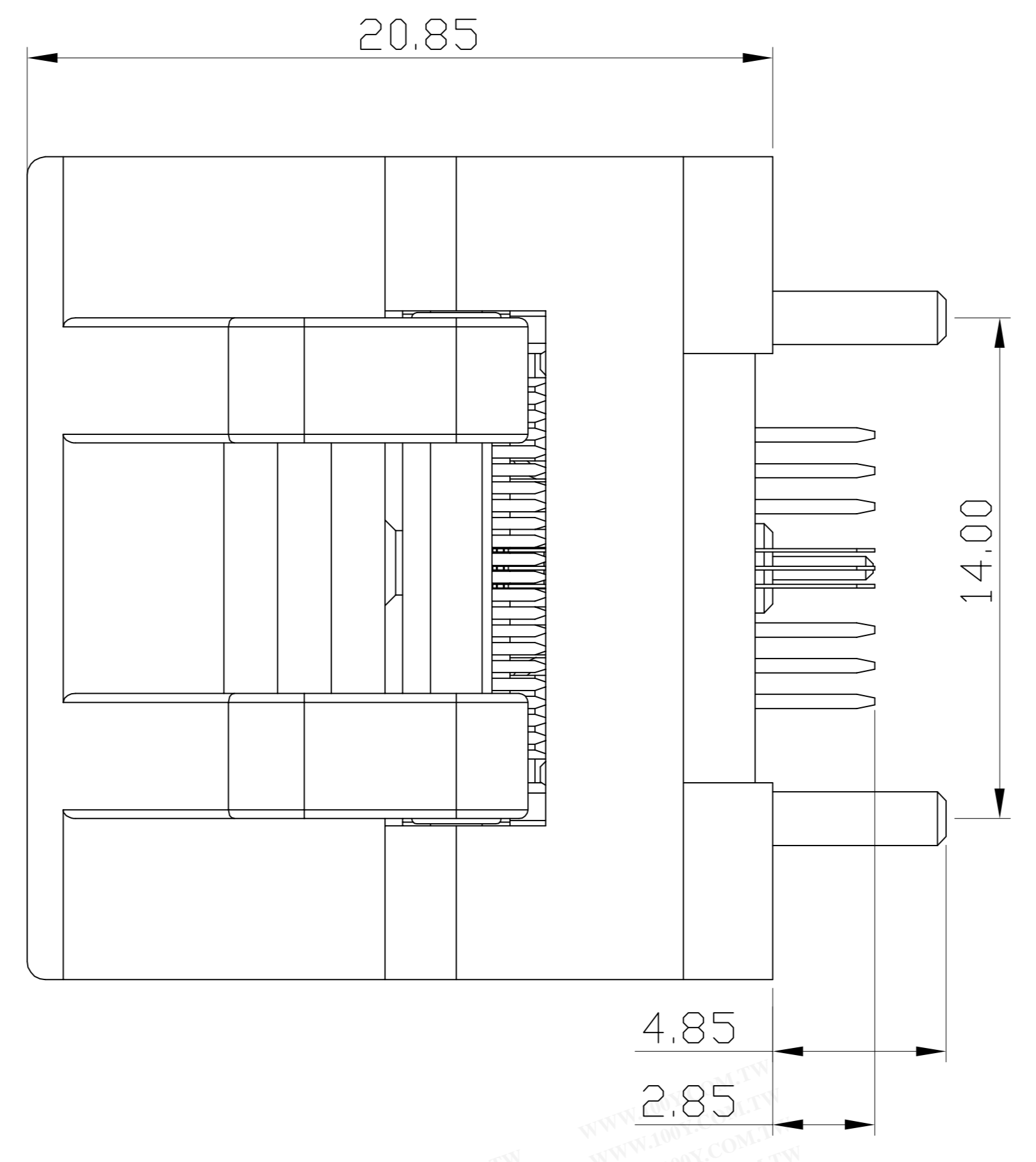
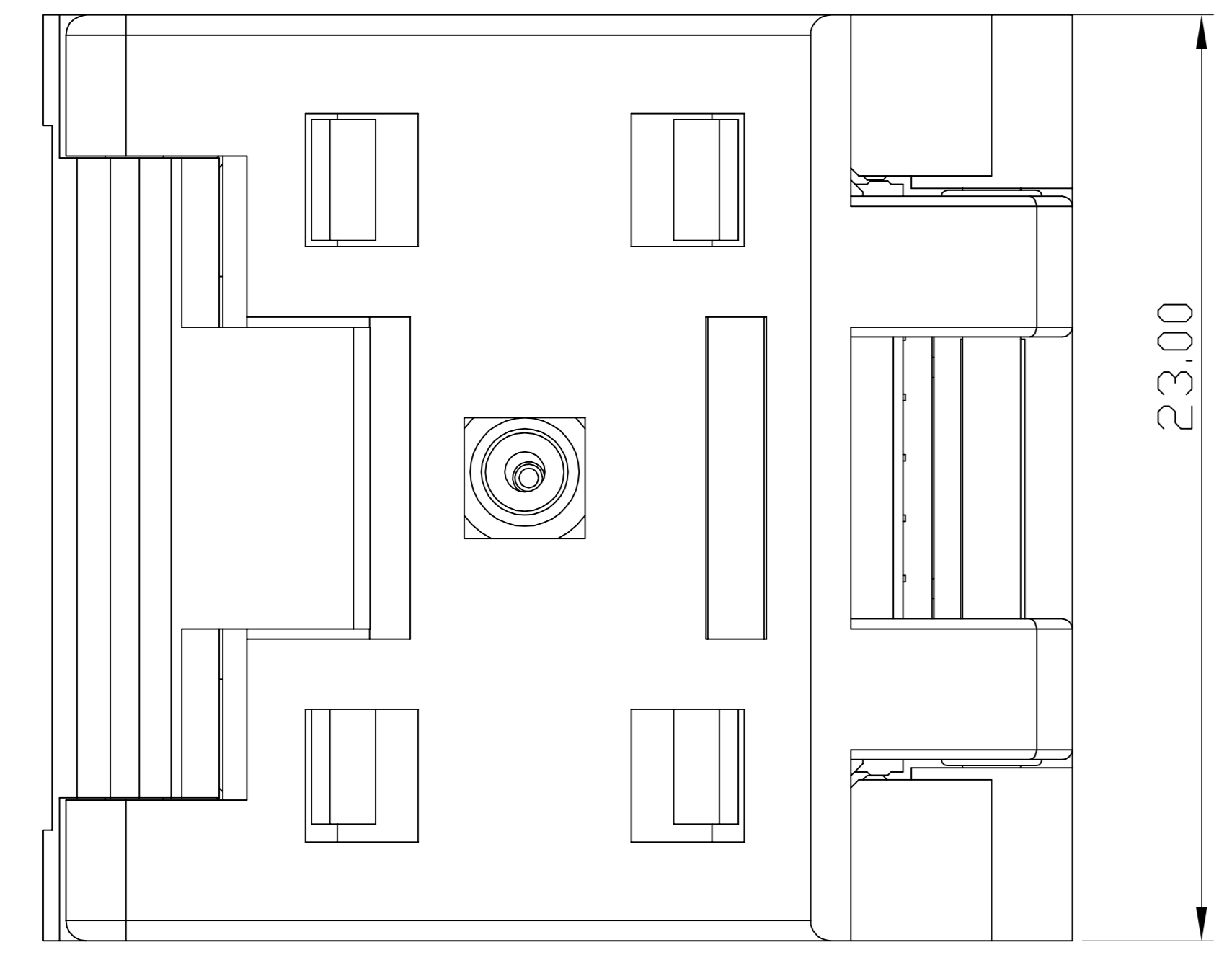


PERFORMANCE

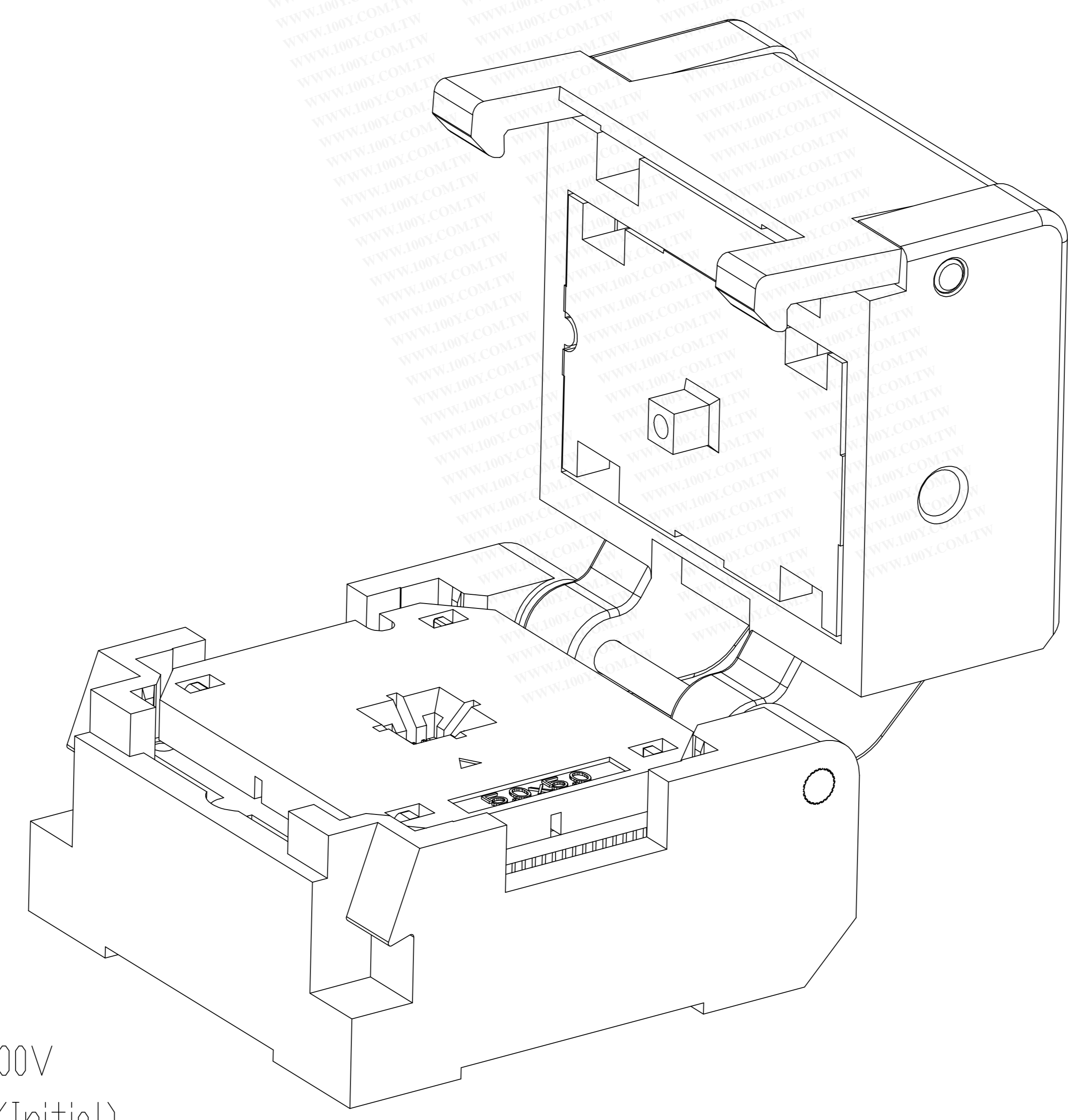
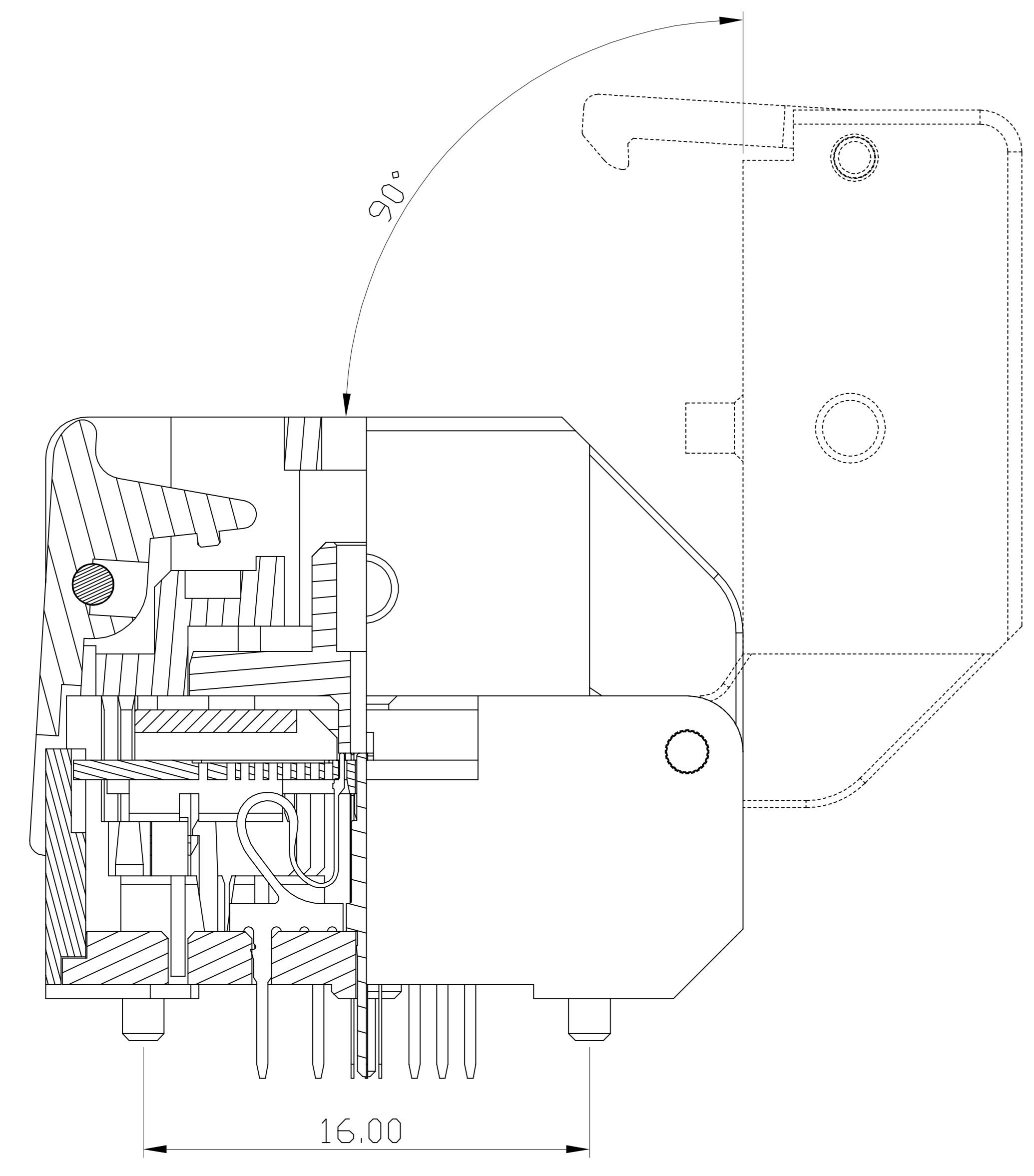
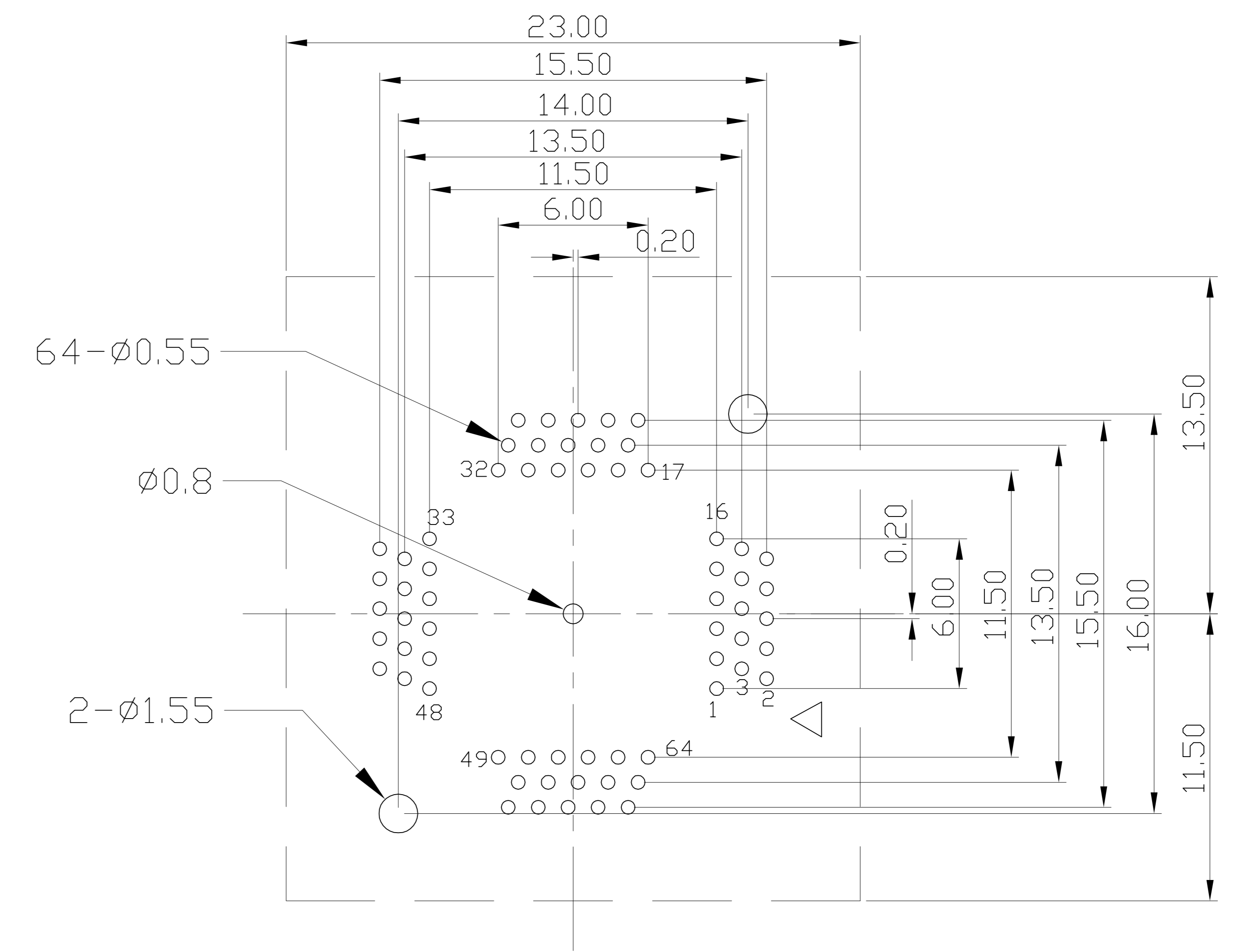
1. Insulation Resistance: 1000M $\Omega$  Min.At DC 500V
2. Dielectric Withstanding Voltage For 1 Minute At AC 700V
3. Contact Resistance 30m $\Omega$  MAX. at 10mA and 20mV MAX.(Initial)
4. Current Rating: 1A max.
5. Operation Temperature -55°C ~+175°C
6. Life Span 15,000 Times (Mechanical)
7. Operation Force 2.0 Kg MAX

TOLERANCE	PROJECTION	GENERAL TOLERANCES	±0.10	TITLE	QFN64-0.4 SOCKET
X.	± 0.50	DIMENSION: mm	SCALE: 1:1	CLASS	QFN64-0.4-CP01GT
X.X	± 0.25	APP:	DATE:	DRW. NO	6U-PWQFN-0.4-64-8X8-01
X.XX	± 0.10	CHECK:	DATE:		
X.XXX	± 0.05	DEGK: ENG03	DATE: 20150606		

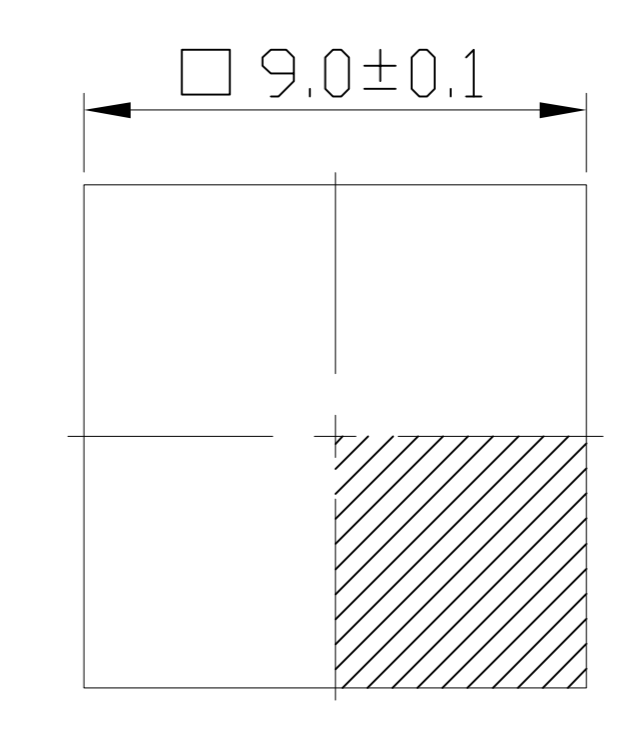
REVISION	DESCRIPTION	CHECK	APP	DATE	REV. NOTICE. NO
△ 1					
△ 2					
△ 3					



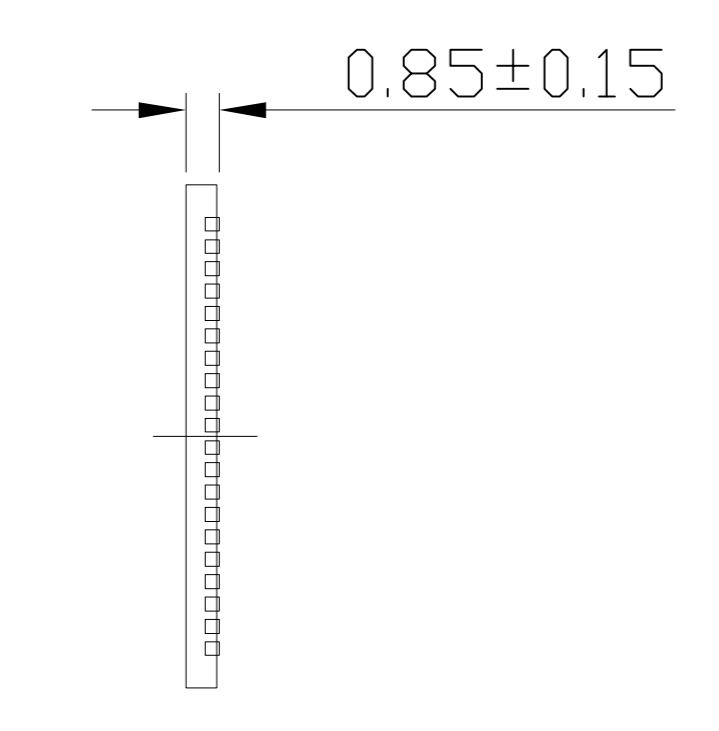
PCB Pattern(TOP View)



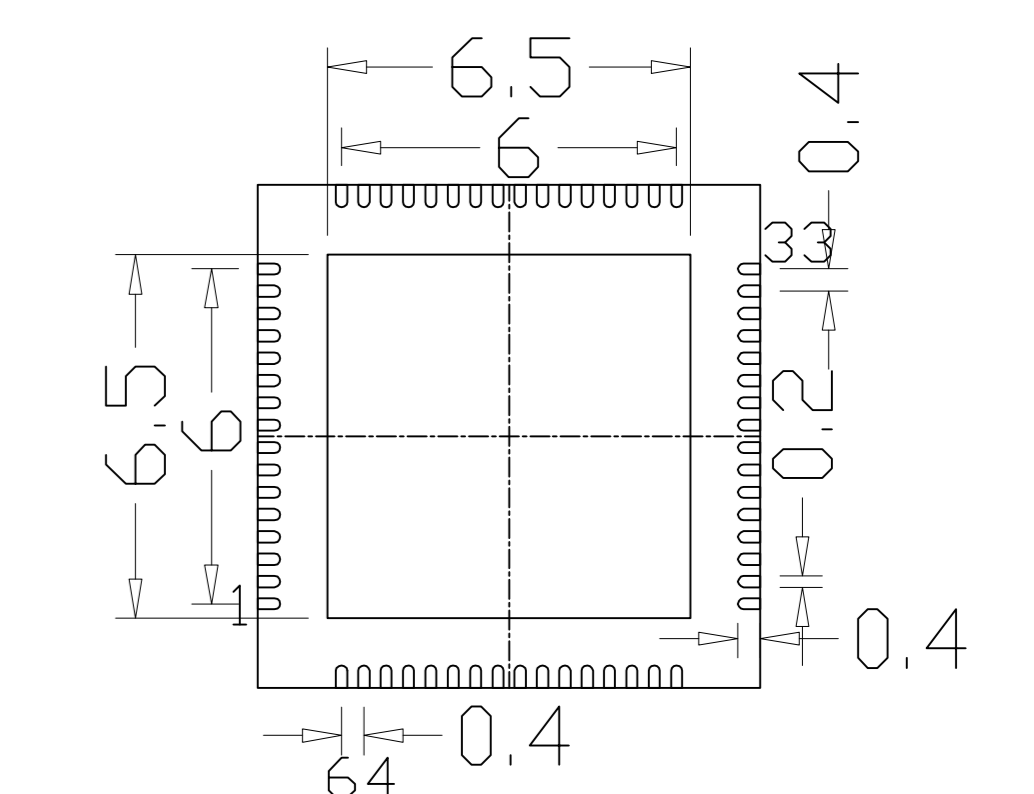
Applicable IC



TOP VIEW



SIDE VIEW



BOTTOM VIEW

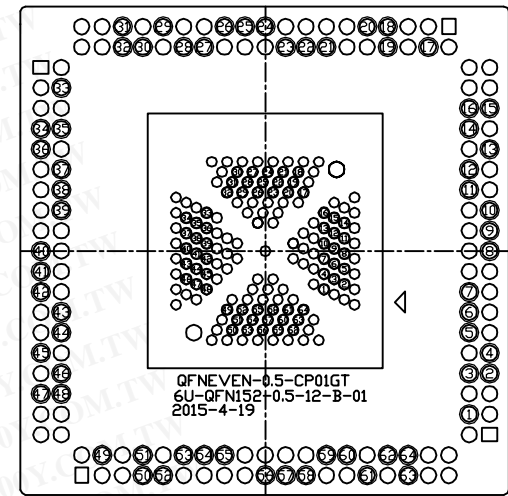
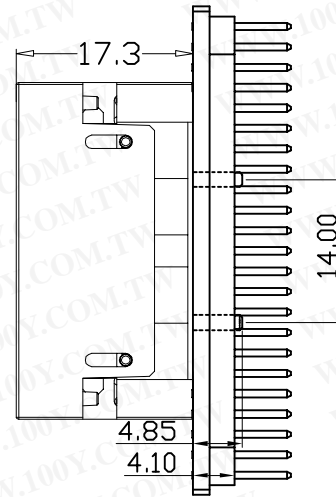
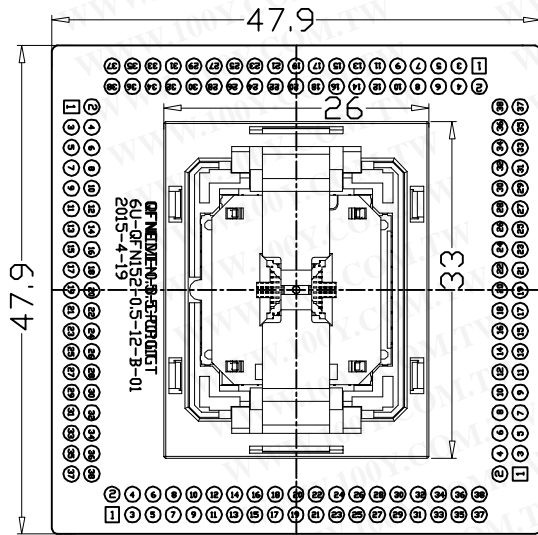
PERFORMANCE

- 1、Insulation Resistance: 1000M $\Omega$  Min.At DC 500V
- 2、Dielectric Withstanding Voltage For 1 Minute At AC 700V
- 3、Contact Resistance 30m $\Omega$  MAX. at 10mA and 20mV MAX.(Initial)
- 4、Current Rating: 1A max.
- 5、Life Span 15,000 Times (Mechanical)
- 6、Operation Force 2.0 Kg MAX

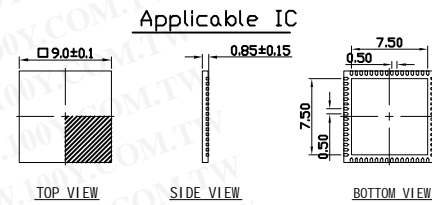
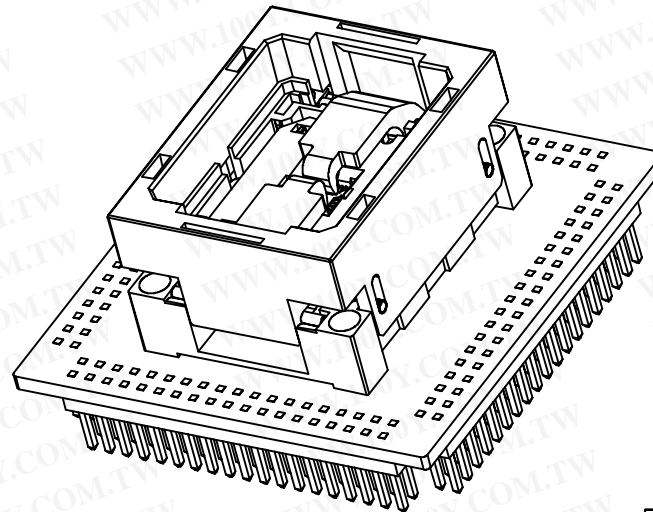
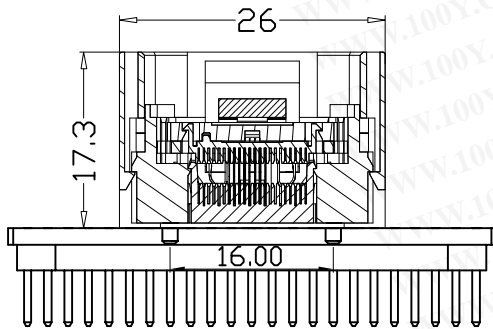
TOLERANCE	PROJECTION	GENERAL TOLERANCES	±0.10	TITLE	QFN64-0.4 SOCKET
X.	± 0.50	DIMENSION: mm	SCALE: 1:1	CLASS	QFN64-0.4-TP02GT
X.X	± 0.25	APP:	DATE:		<b>6U-PWQFN-0.4-64-9x9-B-02</b>
X.XX	± 0.10	CHECK:	DATE:		
X.XXX	± 0.05	DEGK: ENG03	DATE: 20130704		

REVISION	DESCRIPTION	CHECK	APP	DATE	REV. NOTICE. NO
△1					
△2					
△3					

## QFN 偶数万能转接板连线图



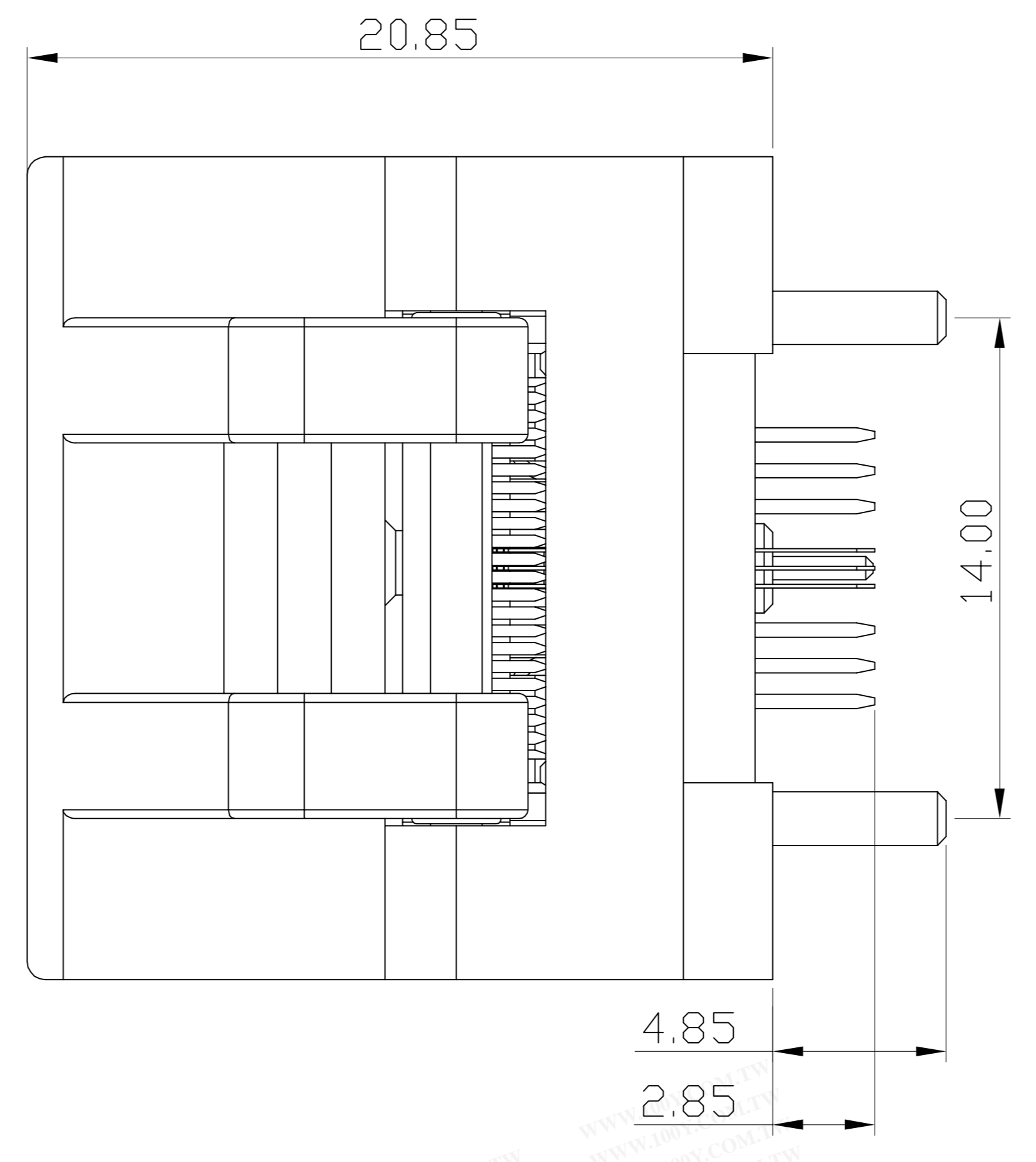
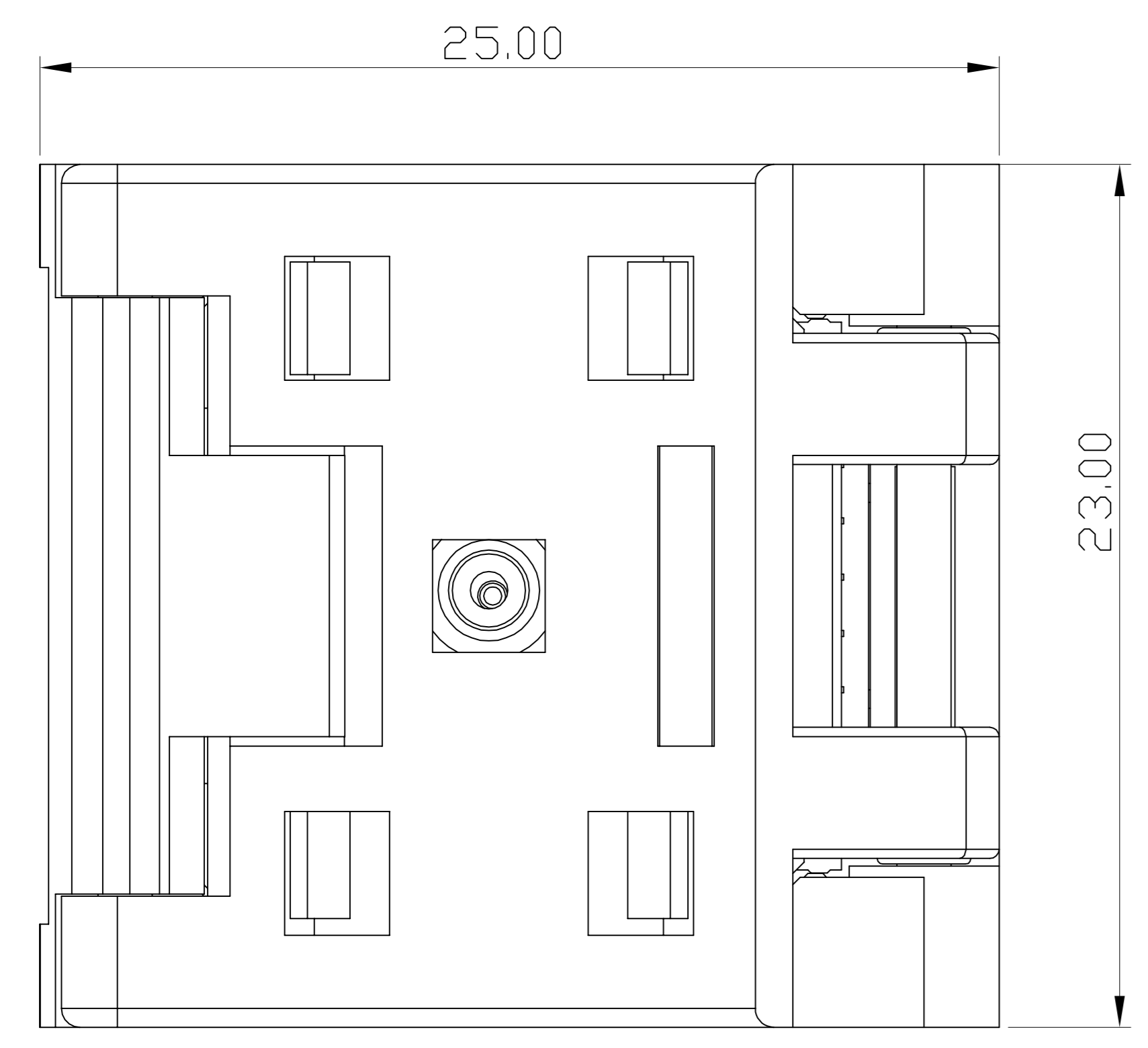
勝特力材料 886-3-5753170  
 勝特力电子(上海) 86-21-34970699  
 勝特力电子(深圳) 86-755-83298787  
[Http://www.100y.com.tw](http://www.100y.com.tw)



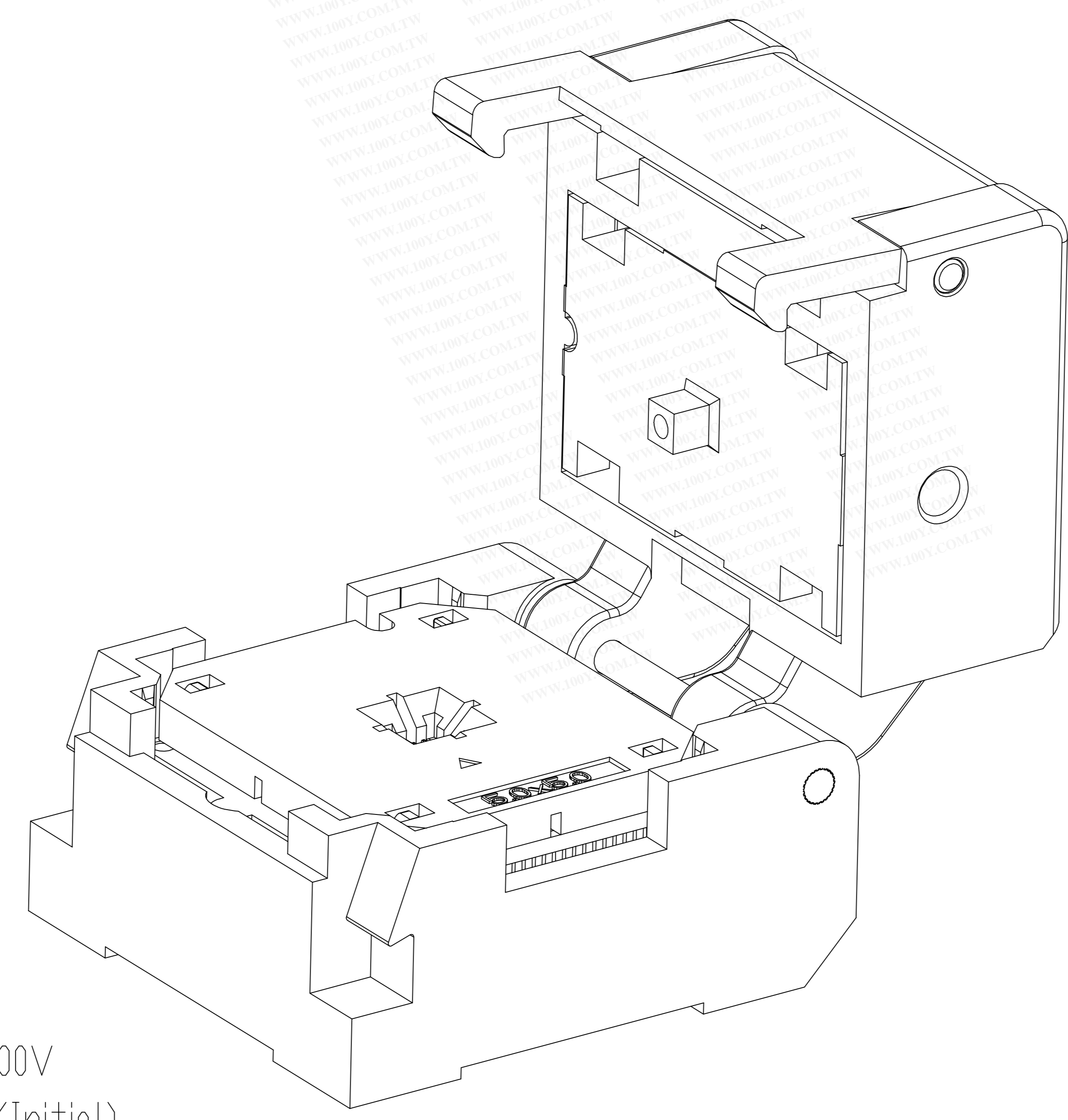
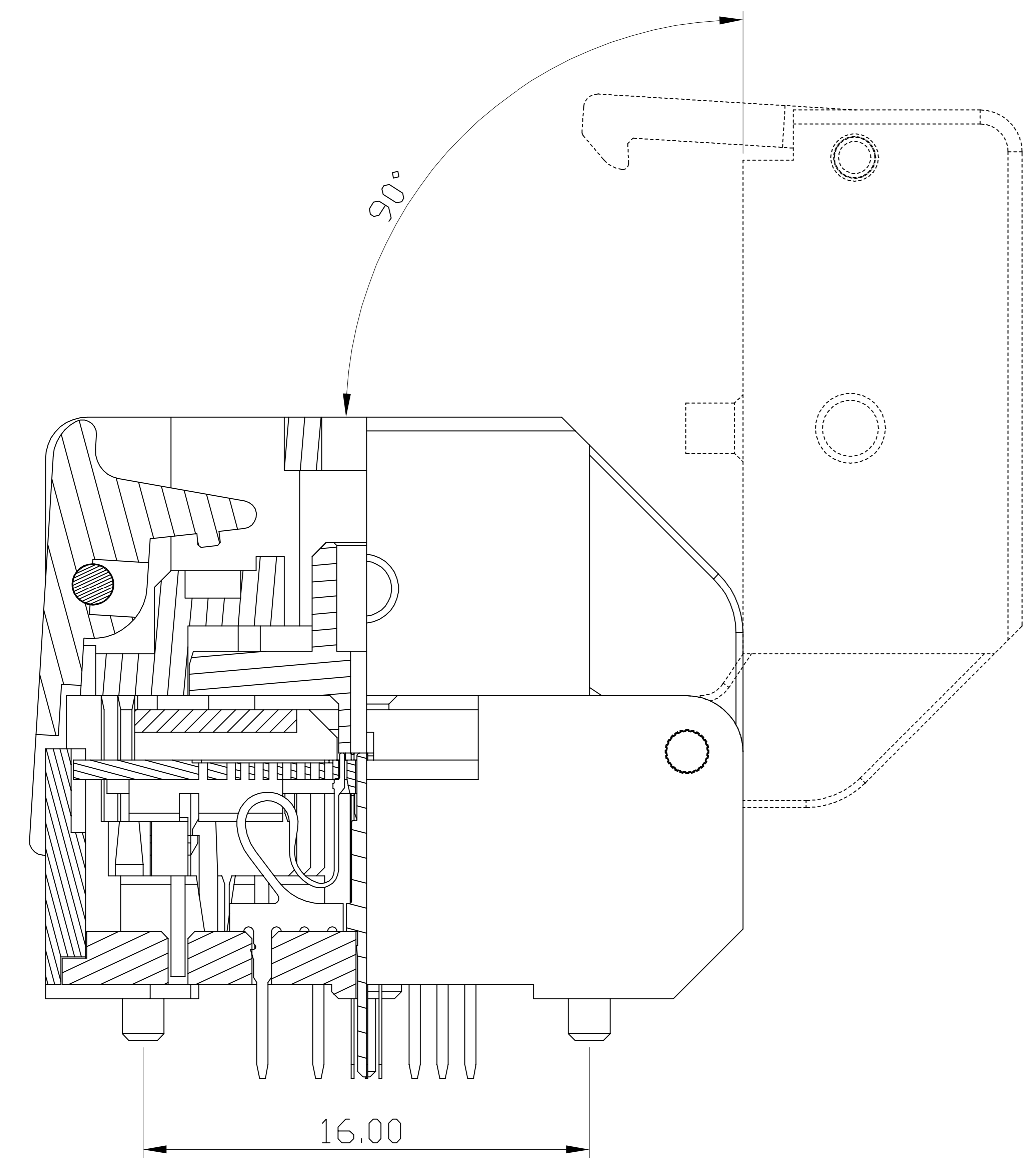
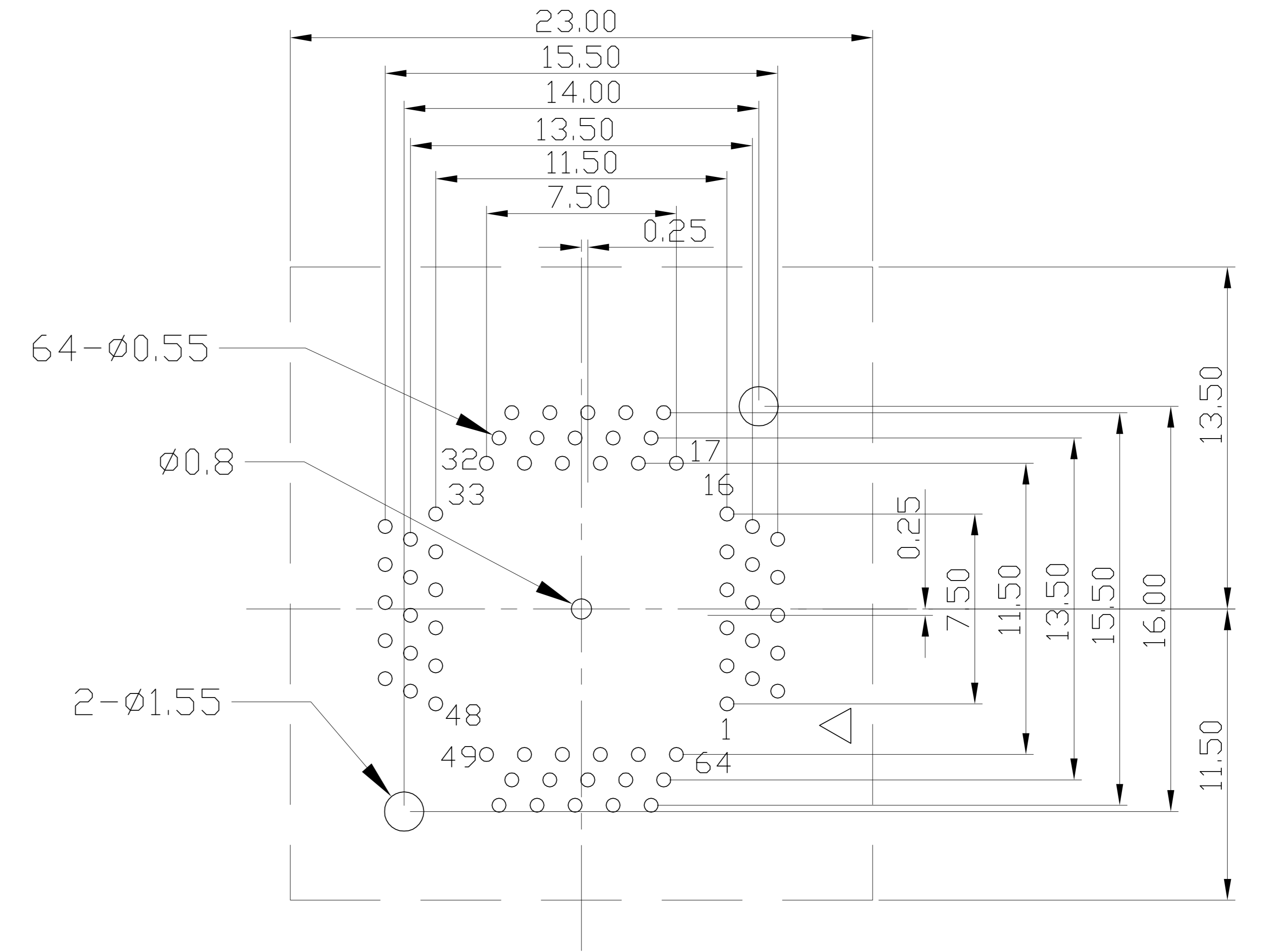
PROJECTION	GENERAL TOLERANCES	±0.10	TITLE	QFN64-0.5 SOCKET
	REV	A	CLASS	7L-24064B-201
DIMENSION:	mm	SCALE:	1:1	DRW. NO
APP:		DATE:		
CHECK:		DATE:		
DECK:		DATE:	20120822	



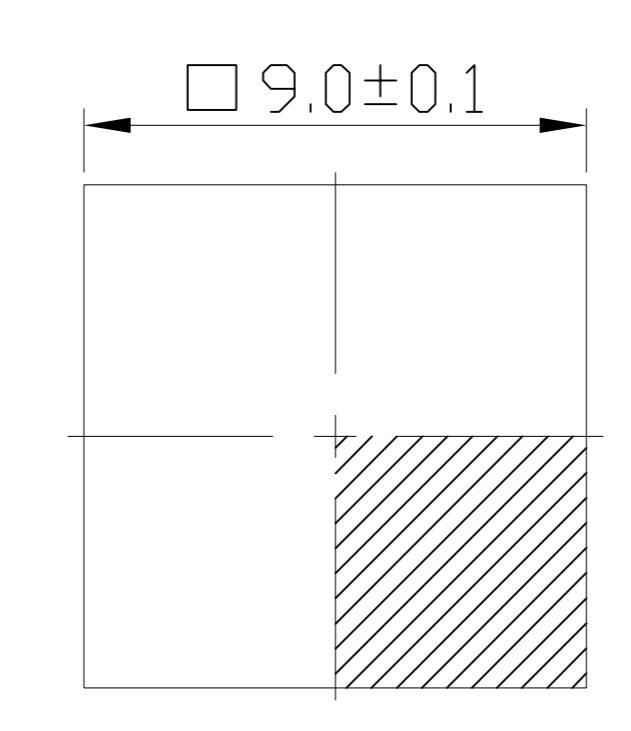
REVISION	DESCRIPTION	CHECK	APP	DATE	REV. NOTICE. NO
△ 1					
△ 2					
△ 3					



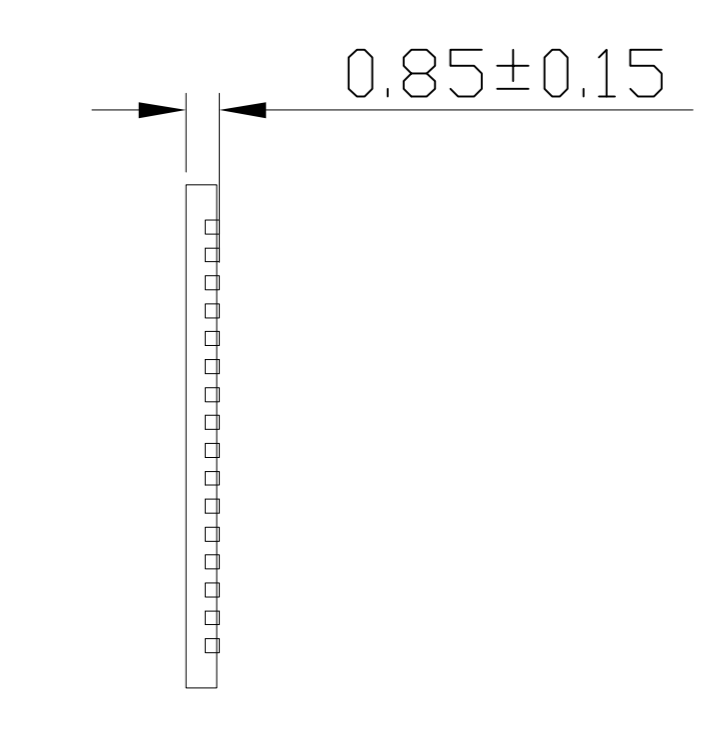
PCB Pattern(TOP View)



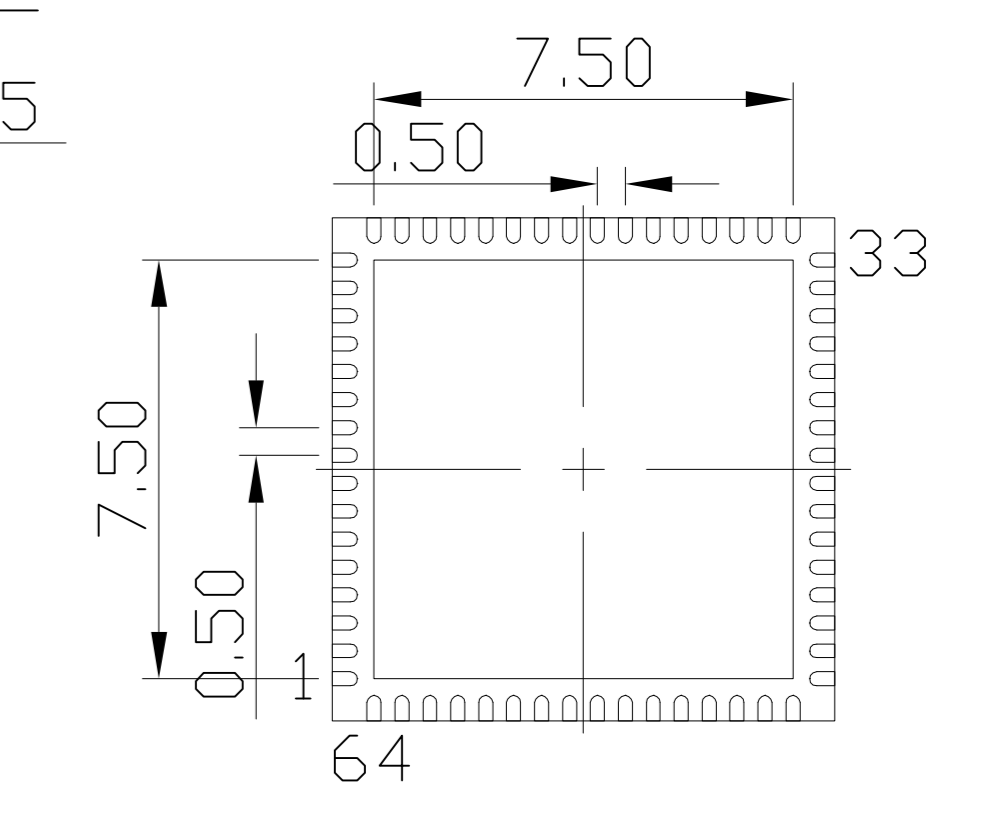
Applicable IC



TOP VIEW



SIDE VIEW



BOTTOM VIEW

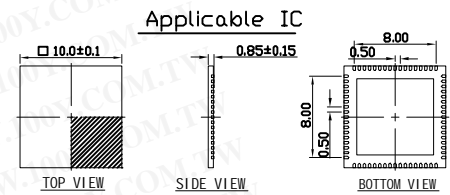
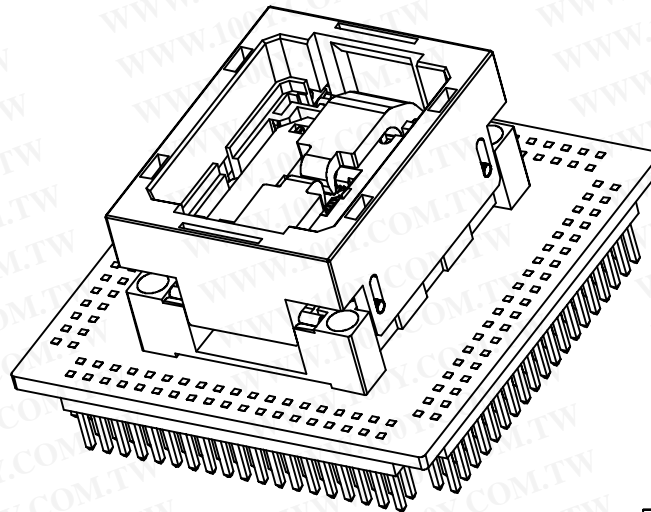
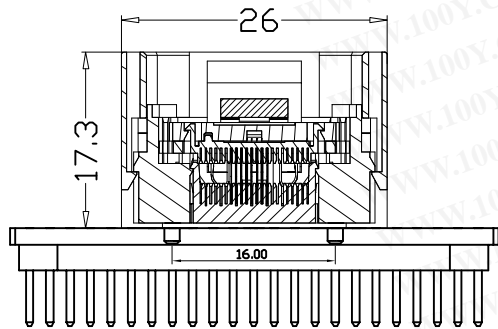
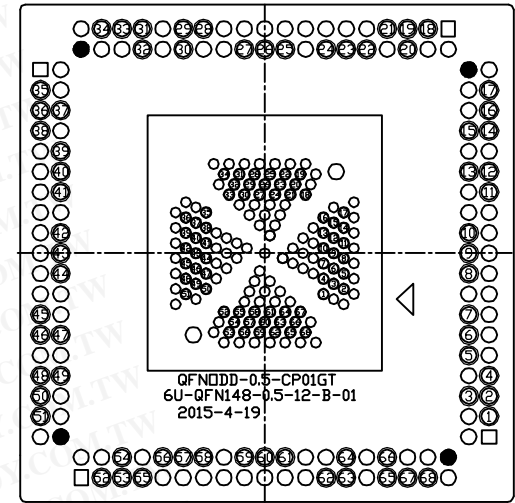
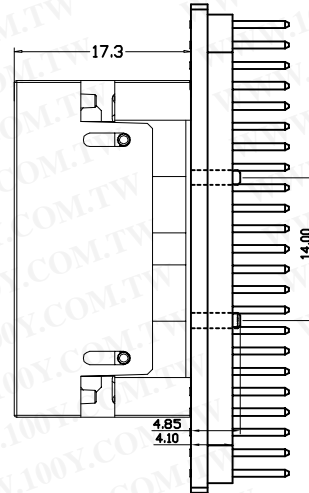
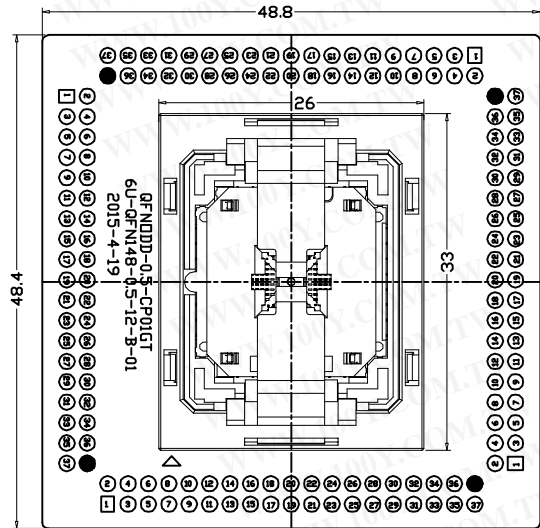
PERFORMANCE

1. Insulation Resistance: 1000MΩ Min.At DC 500V
2. Dielectric Withstanding Voltage For 1 Minute At AC 700V
3. Contact Resistance 30mΩ MAX. at 10mA and 20mV MAX.(Initial)
4. Current Rating: 1A max.
5. Operation Temperature -40°C ~+155°C
6. Life Span 15,000 Times (Mechanical)
7. Operation Force 2.0 Kg MAX

TOLERANCE	PROJECTION	GENERAL TOLERANCES	±0.10	TITLE	QFN64-0.5 SOCKET
X.	± 0.50	DIMENSION: mm	SCALE: 1:1	CLASS	<b>QFN64-0.5-CPO1GT</b>
X.X	± 0.25	APP:	DATE:	DRW. NO	6U-PWQFN-0.5-64-9X9-01
X.XX	± 0.10	CHECK:	DATE:		
X.XXX	± 0.05	DEGK: ENG03	DATE: 20150606		

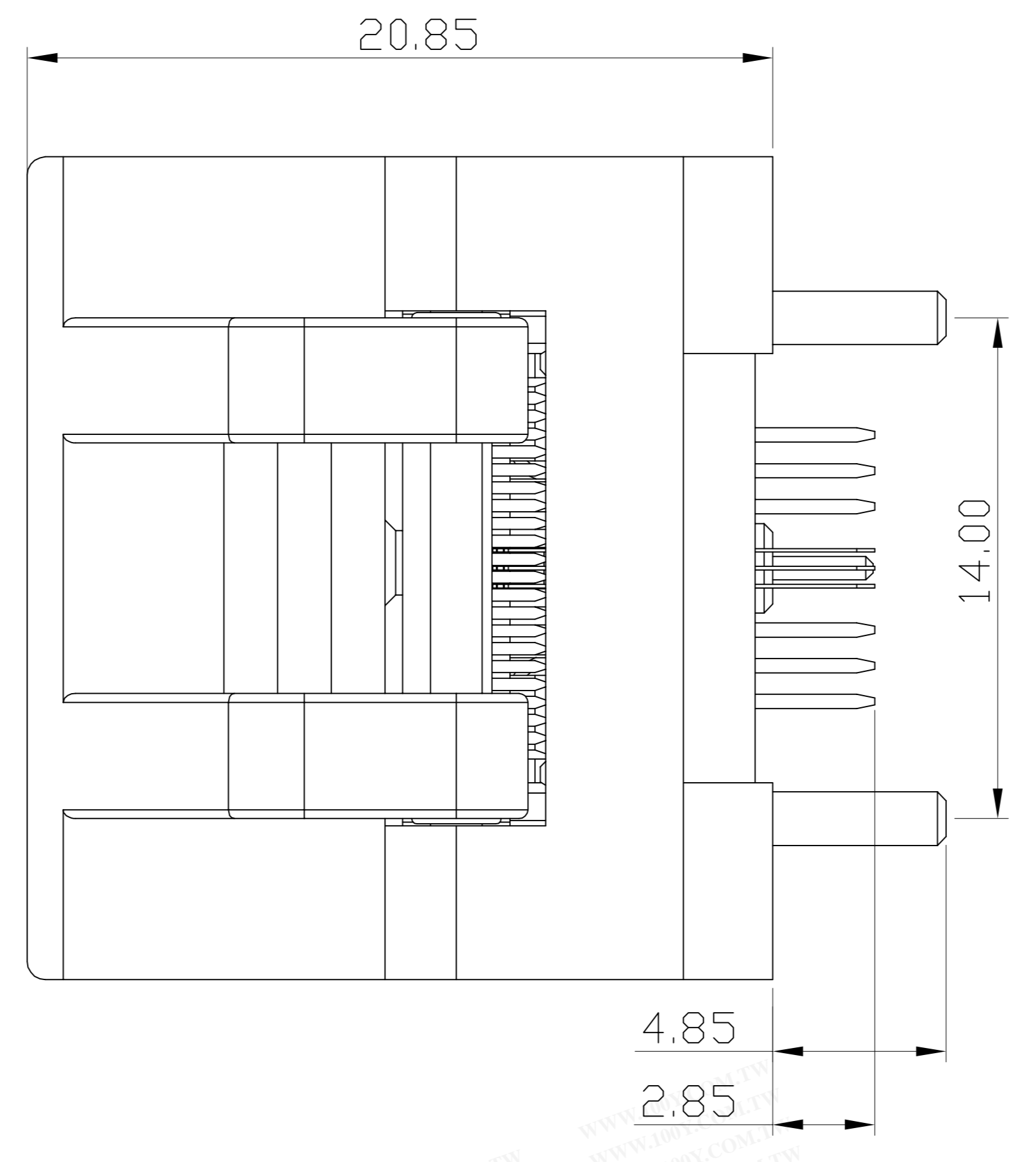
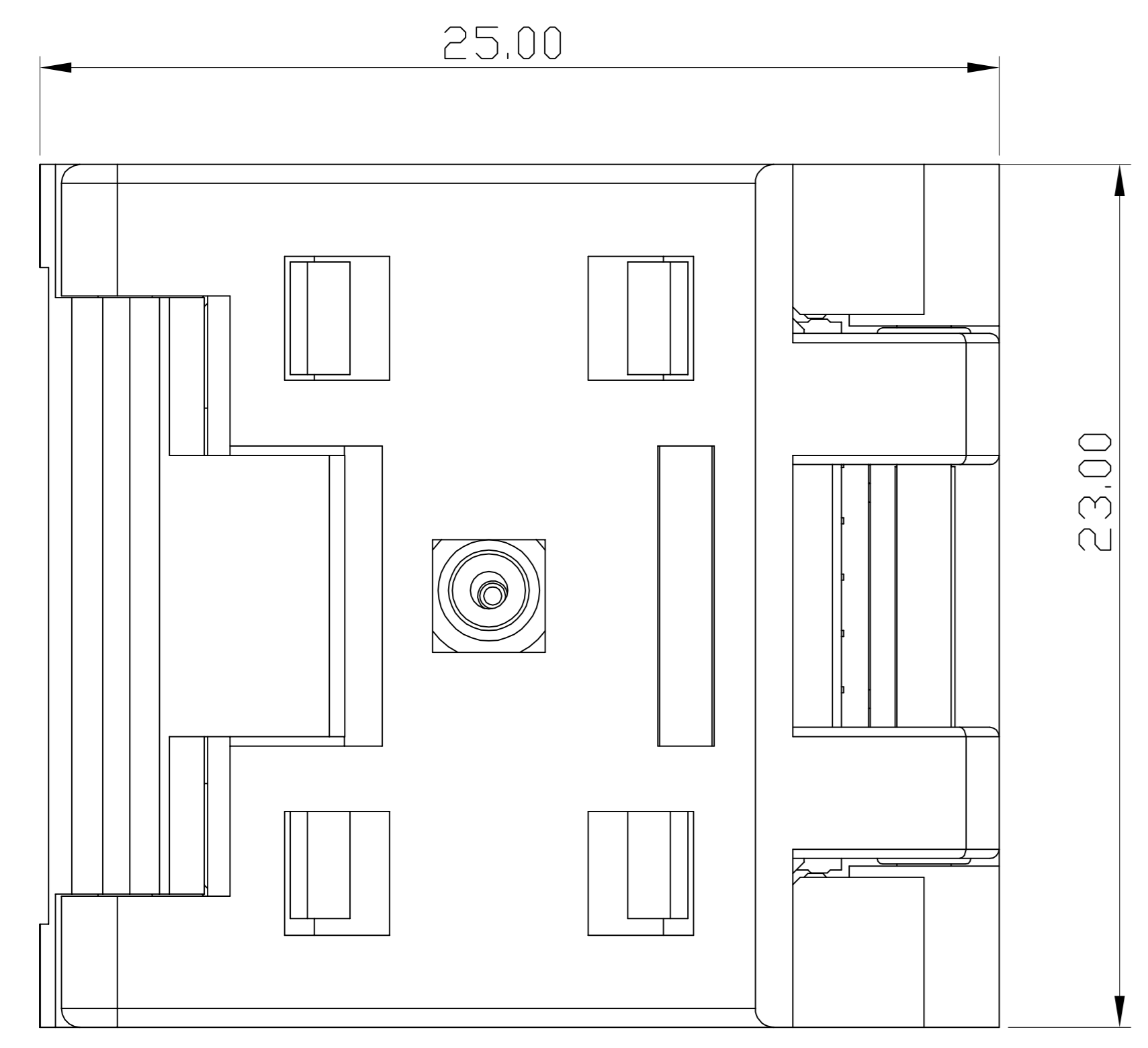
REVISION	DESCRIPTION	CHECK	APP	DATE	REV. NOTICE. NO
1					
2					
3					

# QFN 奇数万能转接板连线图

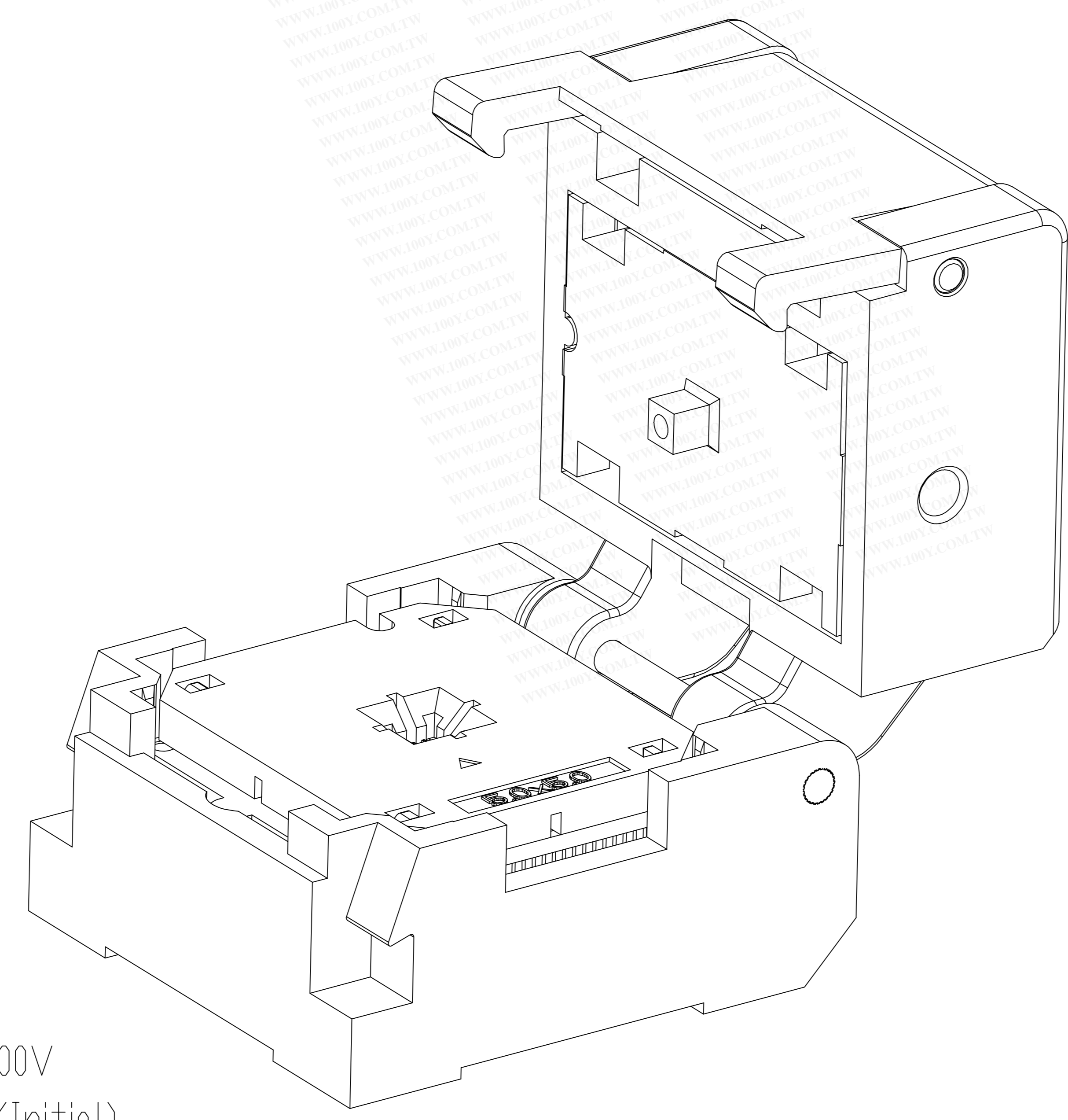
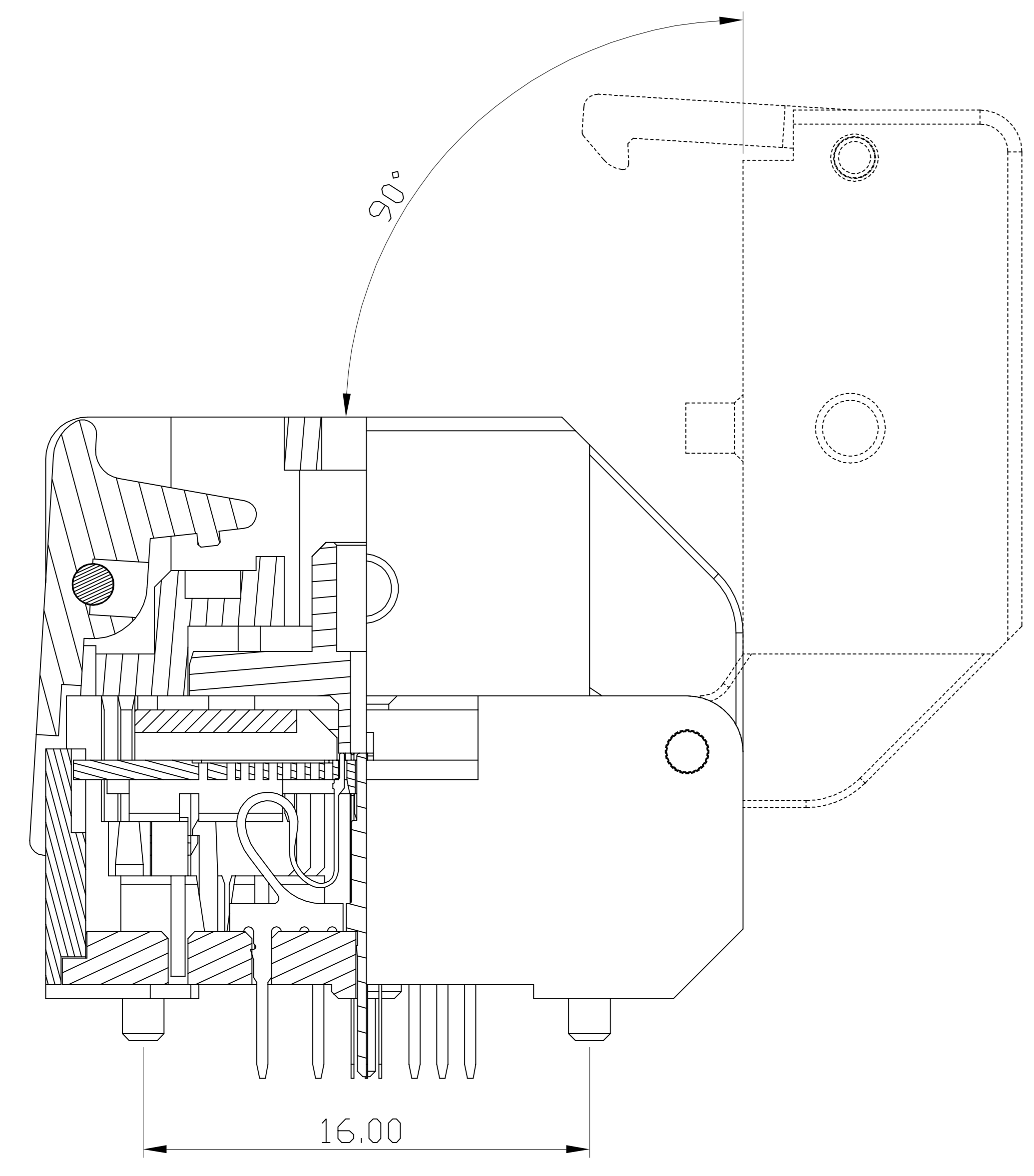
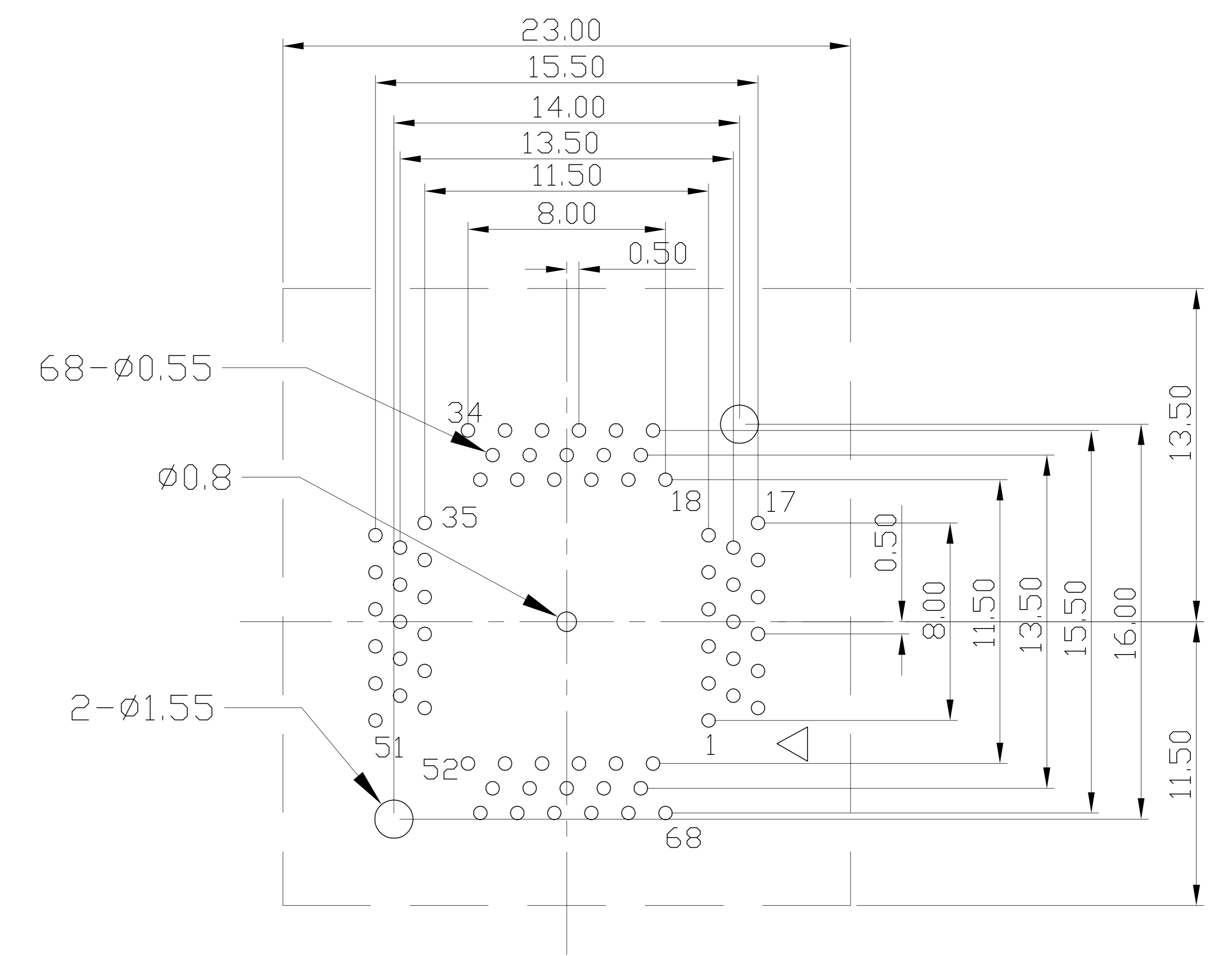


PROJECTION		GENERAL TOLERANCES	±0.10	TITLE	QFN68-0.5 SOCKET
		REV	A	CLASS	7L-24068B-101
DIMENSION:	mm	SCALE:	1:1	DRW. NO	7L-PWQFN-0.5-68-B-01
APP:		DATE:			
CHECK:		DATE:			
DECK:		DATE:	20120822		

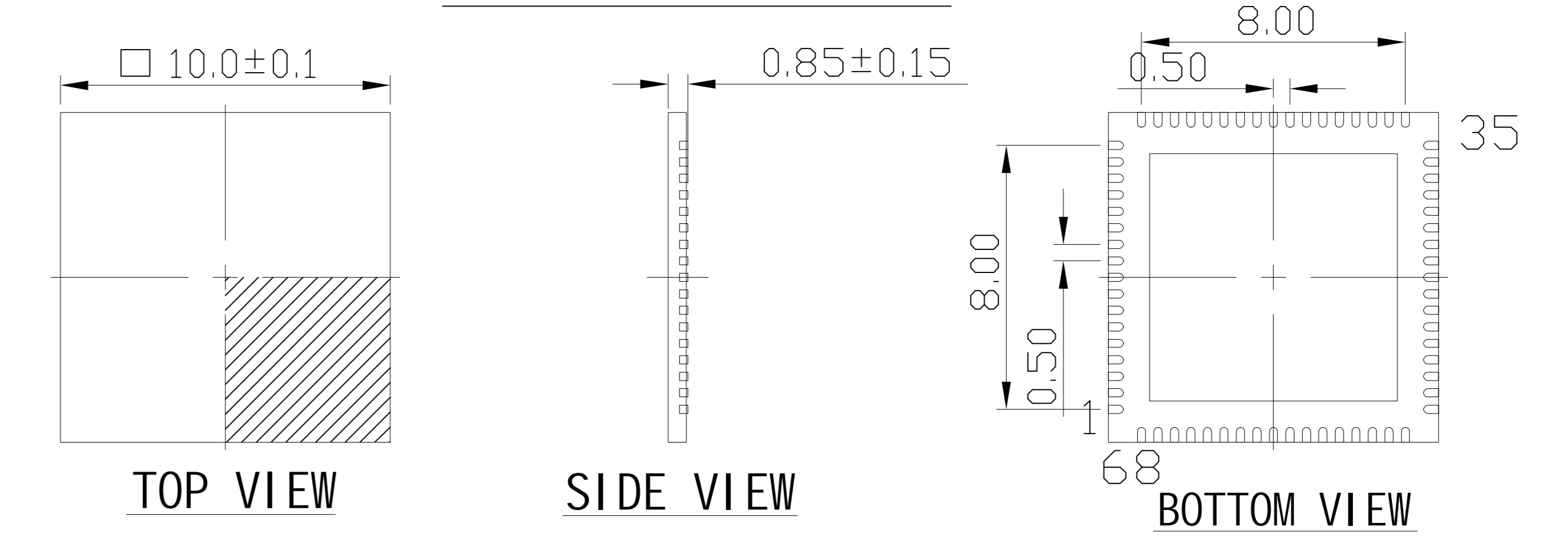
REVISION	DESCRIPTION	CHECK	APP	DATE	REV. NOTICE. NO
△ 1					
△ 2					
△ 3					



PCB Pattern(TOP View)



Applicable IC



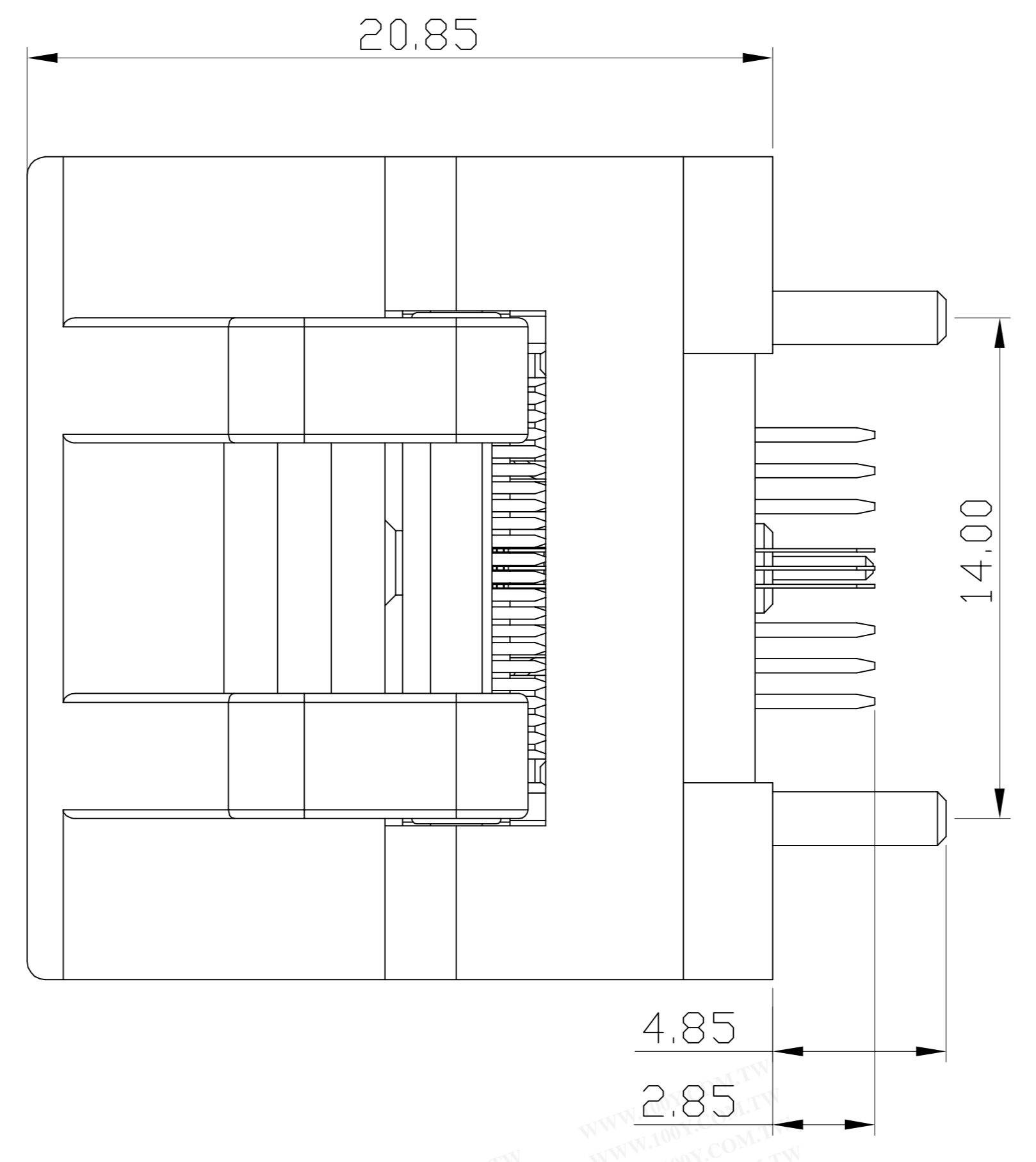
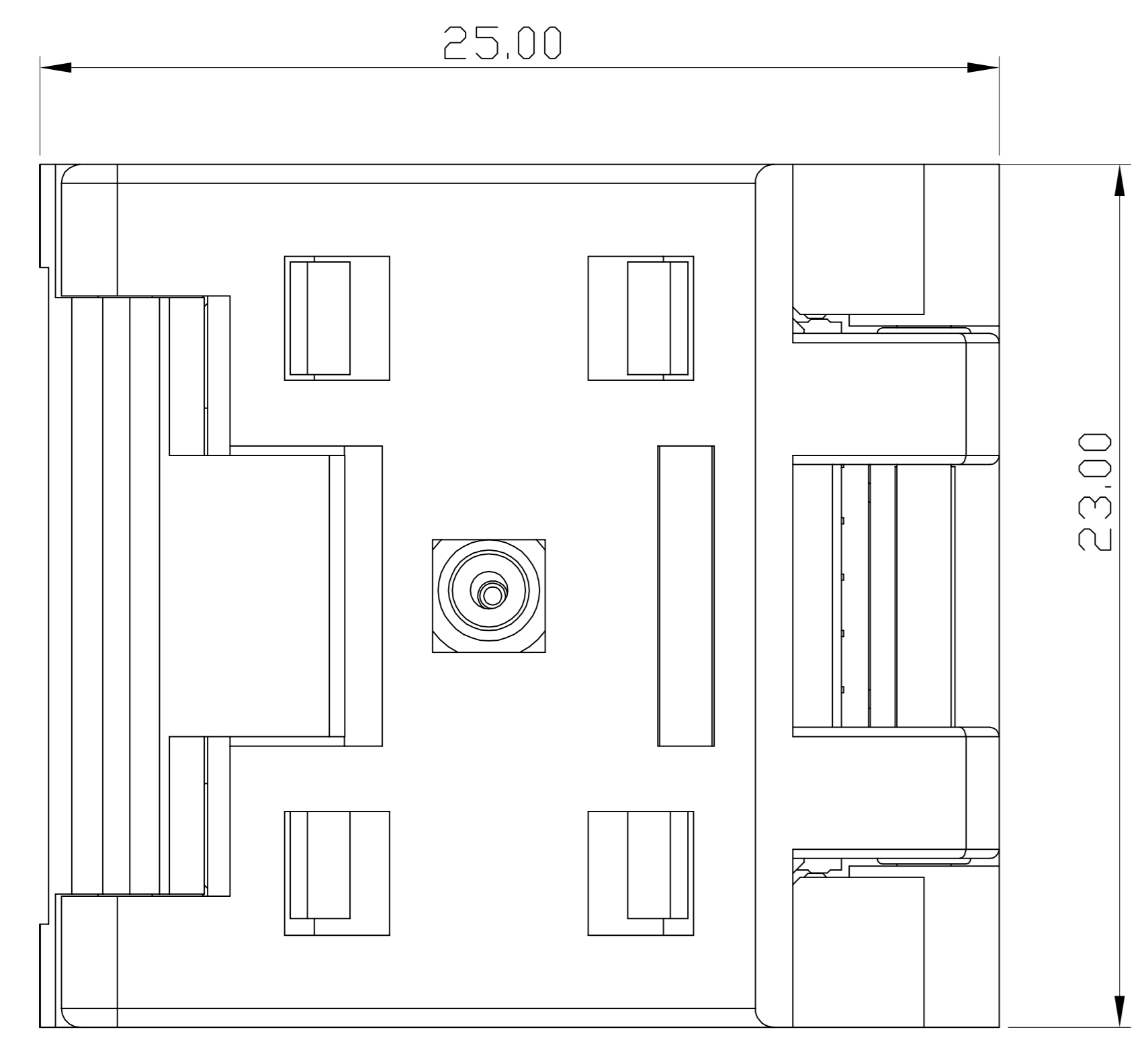
PERFORMANCE

- 1、Insulation Resistance: 1000M $\Omega$  Min.At DC 500V
- 2、Dielectric Withstanding Voltage For 1 Minute At AC 700V
- 3、Contact Resistance 30m $\Omega$  MAX. at 10mA and 20mV MAX.(Initial)
- 4、Current Rating: 1A max.
- 5、Operation Temperature -40°C ~+155°C
- 6、Life Span 15,000 Times (Mechanical)
- 9、Operation Force 2.0 Kg MAX

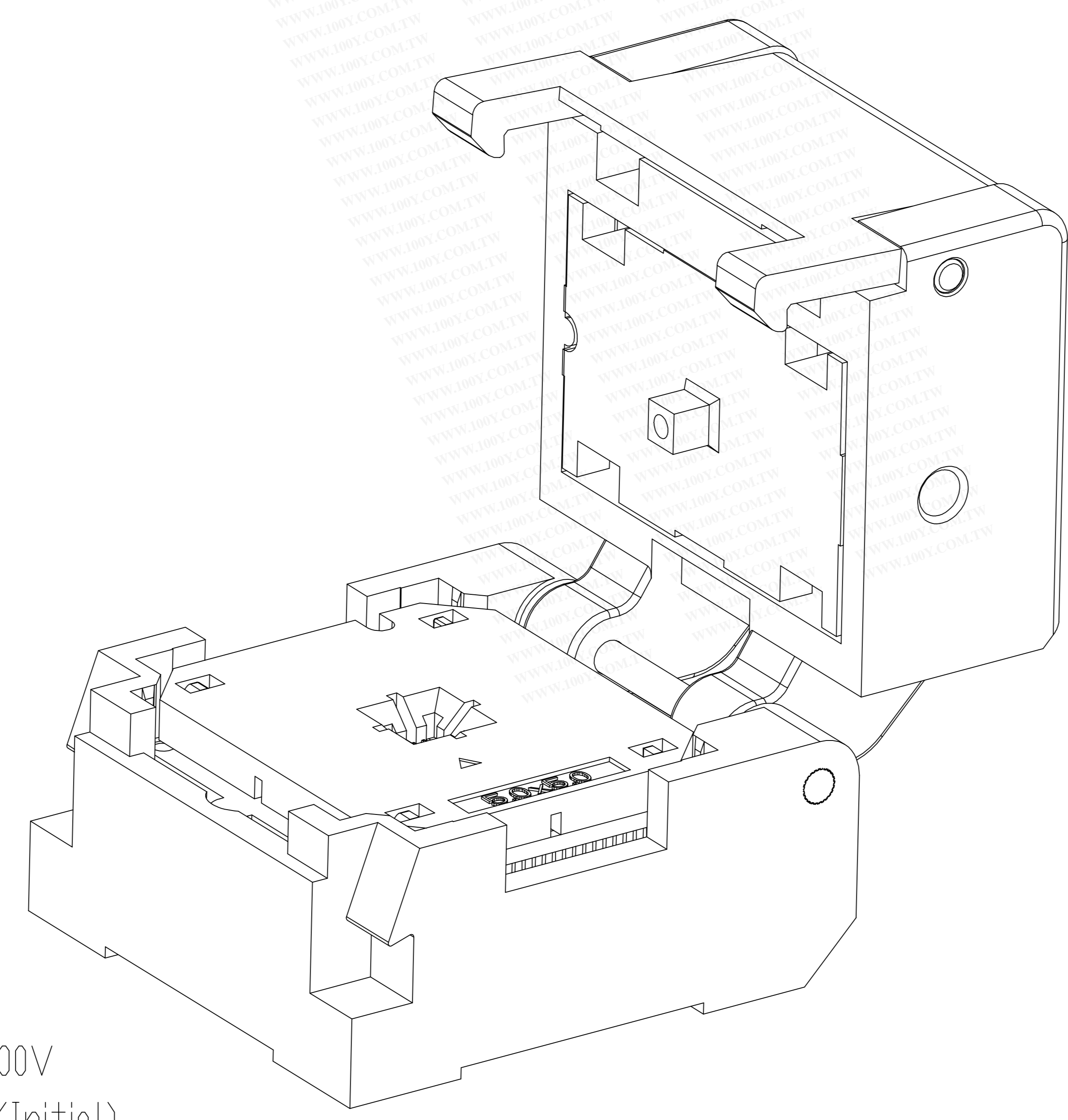
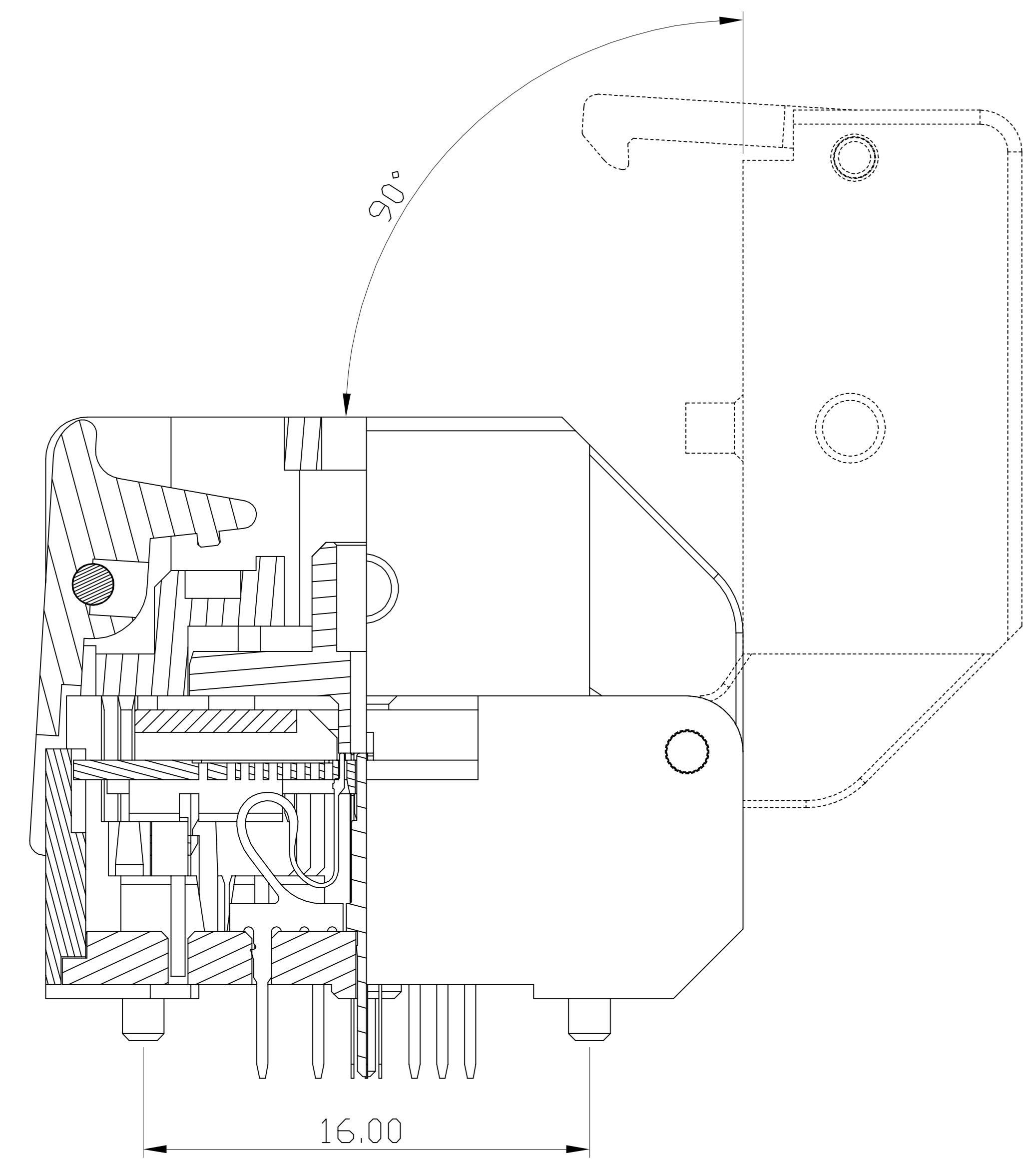
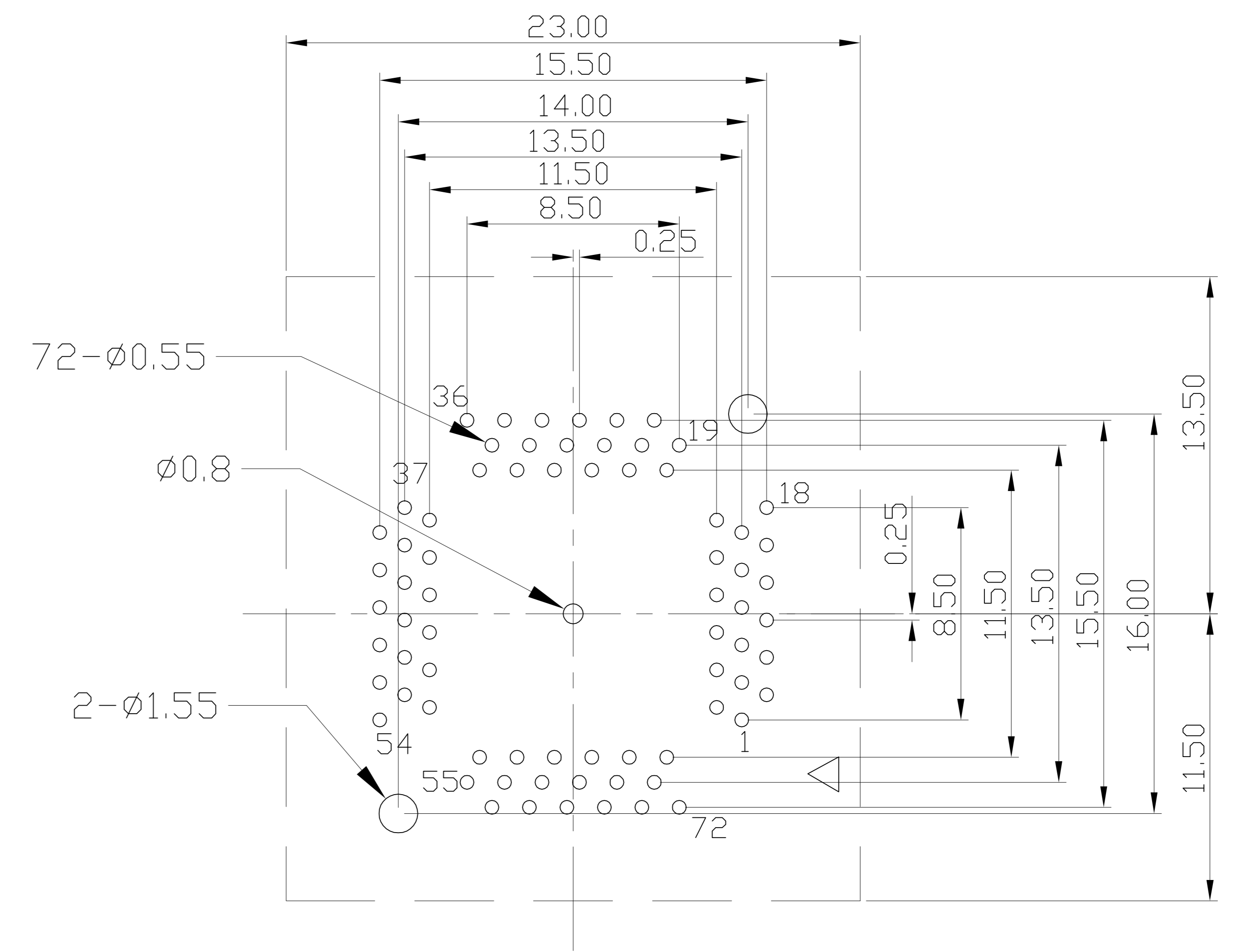
TOLERANCE	PROJECTION	GENERAL TOLERANCES	±0.10	TITLE	QFN68-0.5 SOCKET
X.	± 0.50	DIMENSION: mm	SCALE: 1:1	CLASS	QFN68-0.5-CP01GT
X.X	± 0.25	APP:	DATE:		<b>6U-PWQFN-0.5-68-10X10-01</b>
X.XX	± 0.10	CHECK:	DATE:		
X.XXX	± 0.05	DEGK: ENG03	DATE: 20150606		



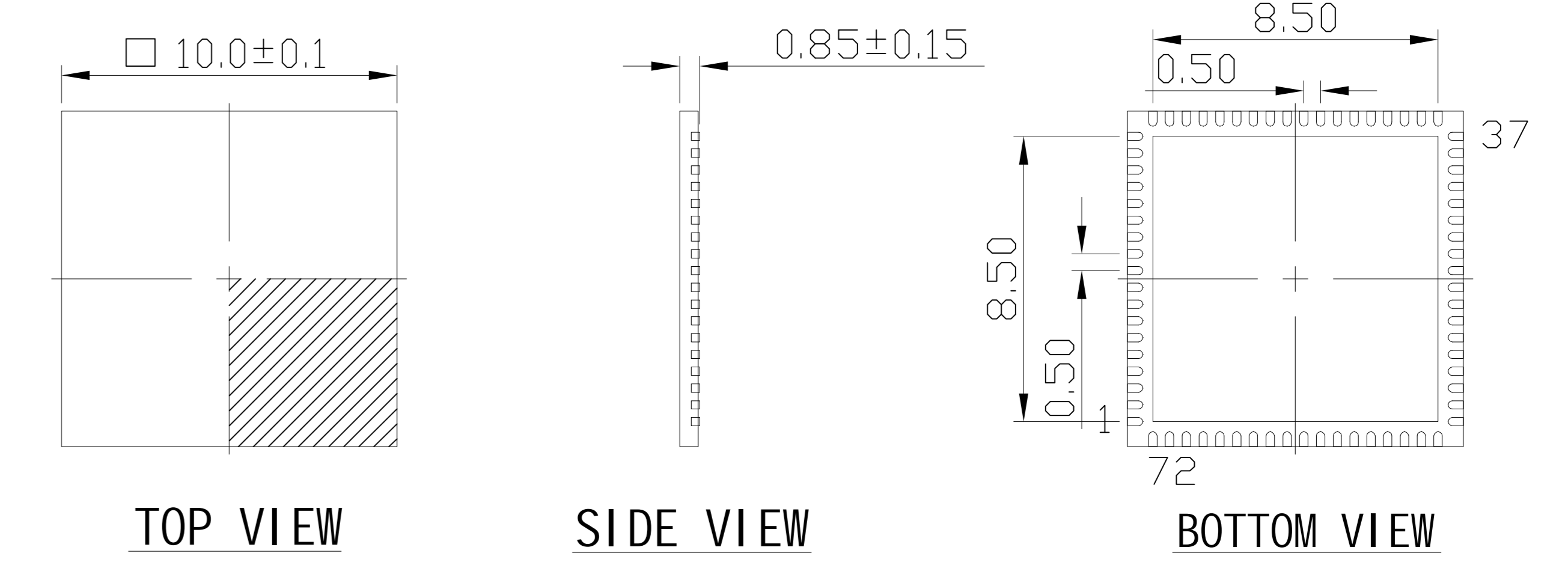
REVISION	DESCRIPTION	CHECK	APP	DATE	REV. NOTICE. NO
△ 1					
△ 2					
△ 3					



PCB Pattern(TOP View)



Applicable IC

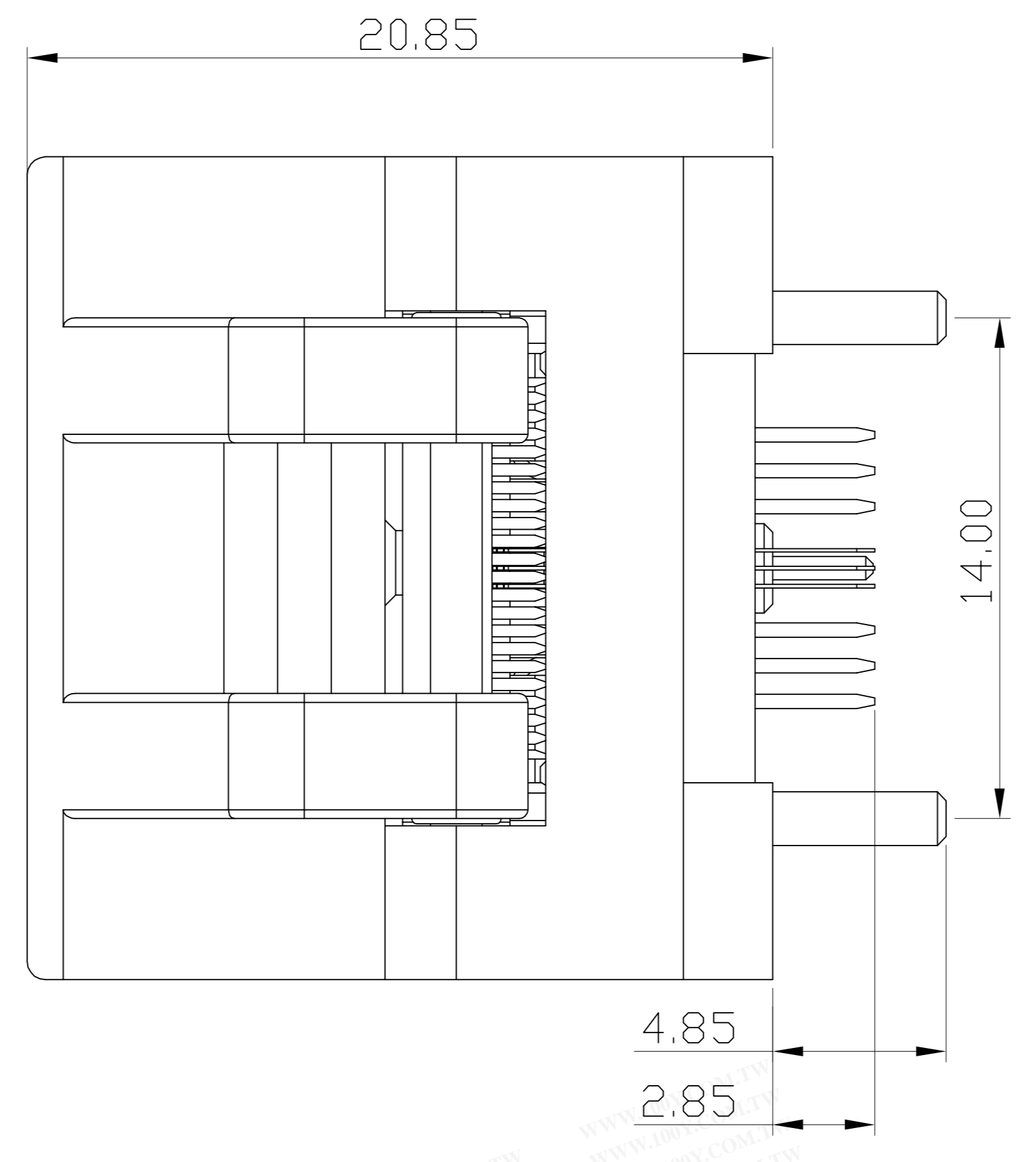
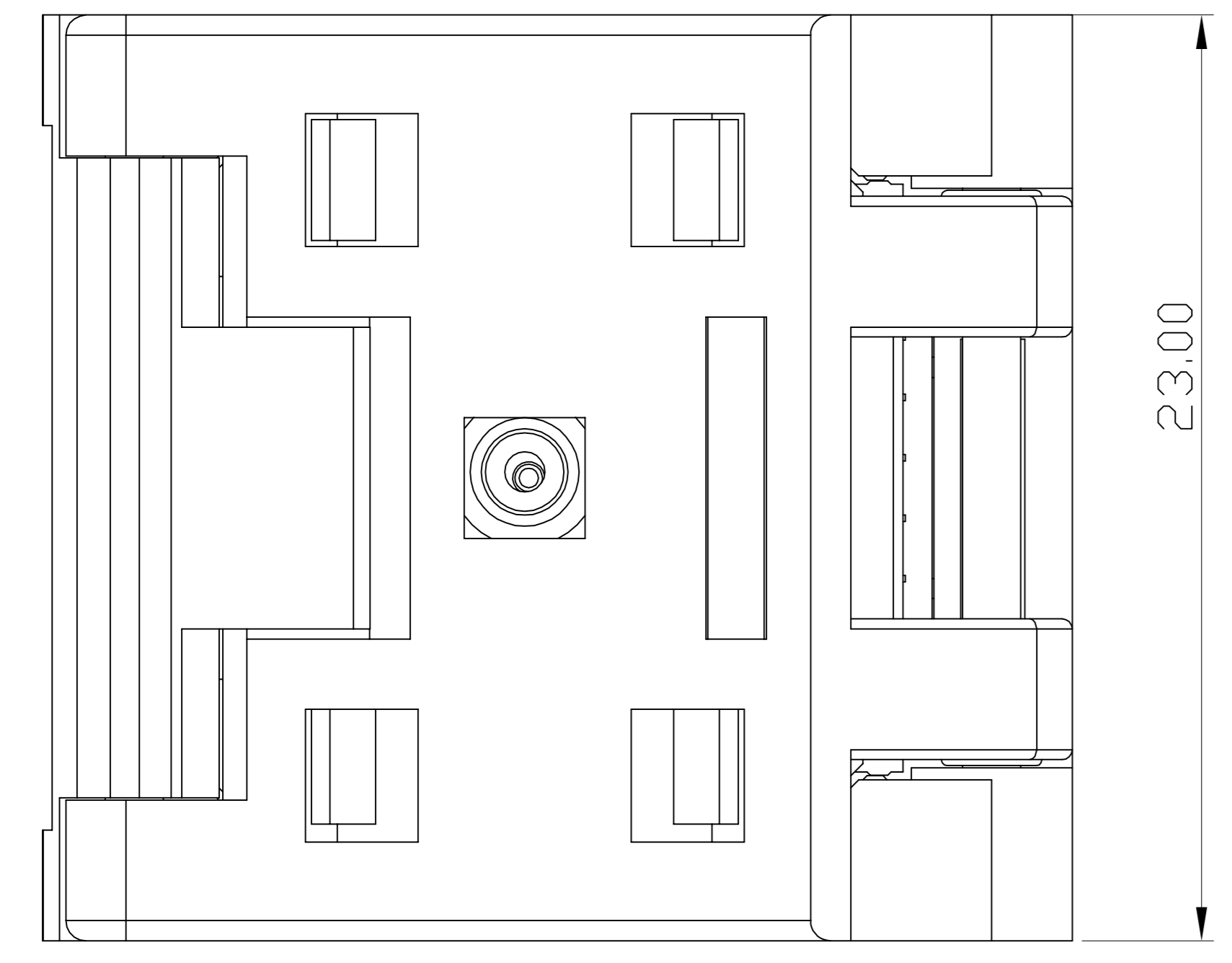


PERFORMANCE

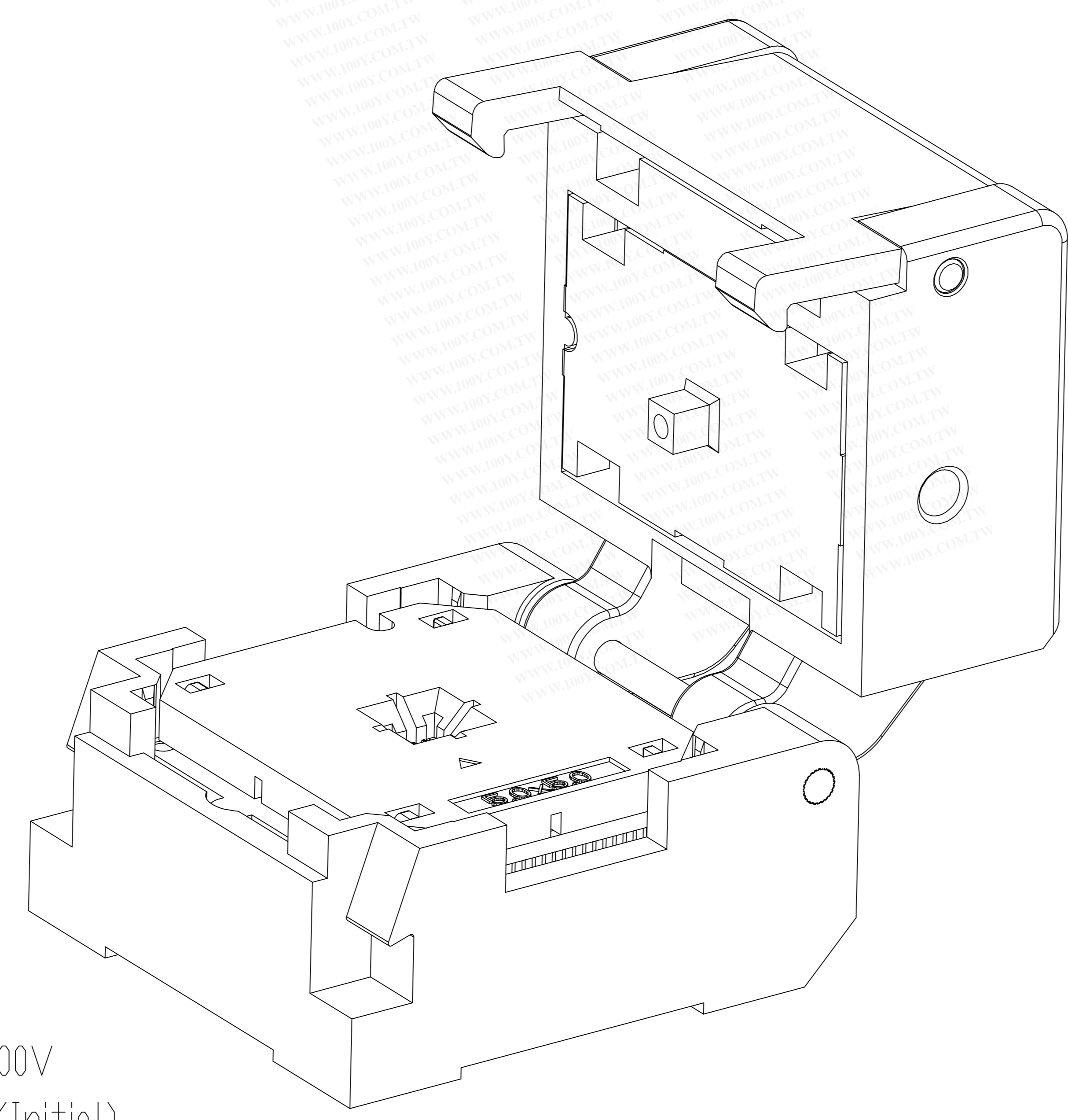
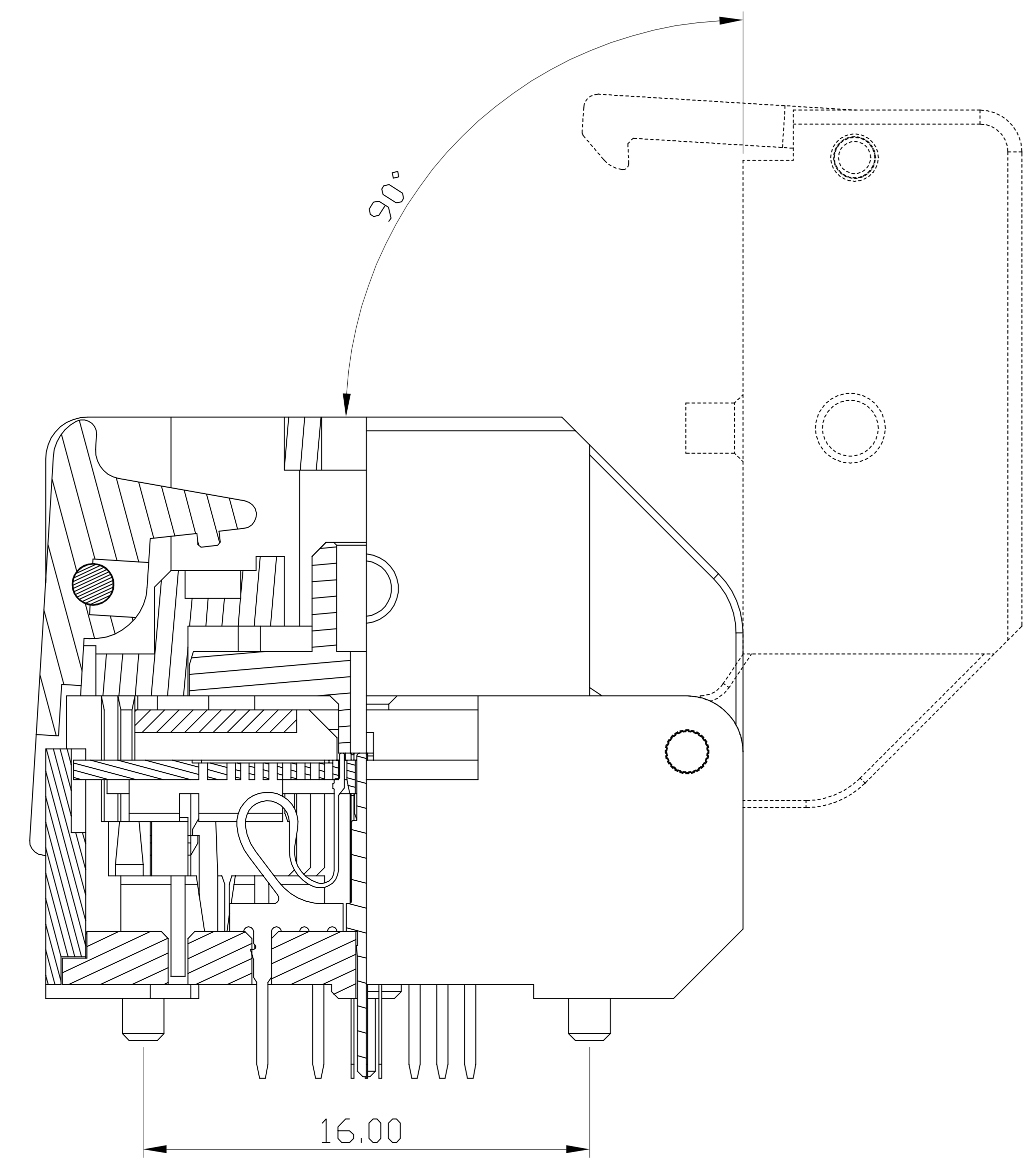
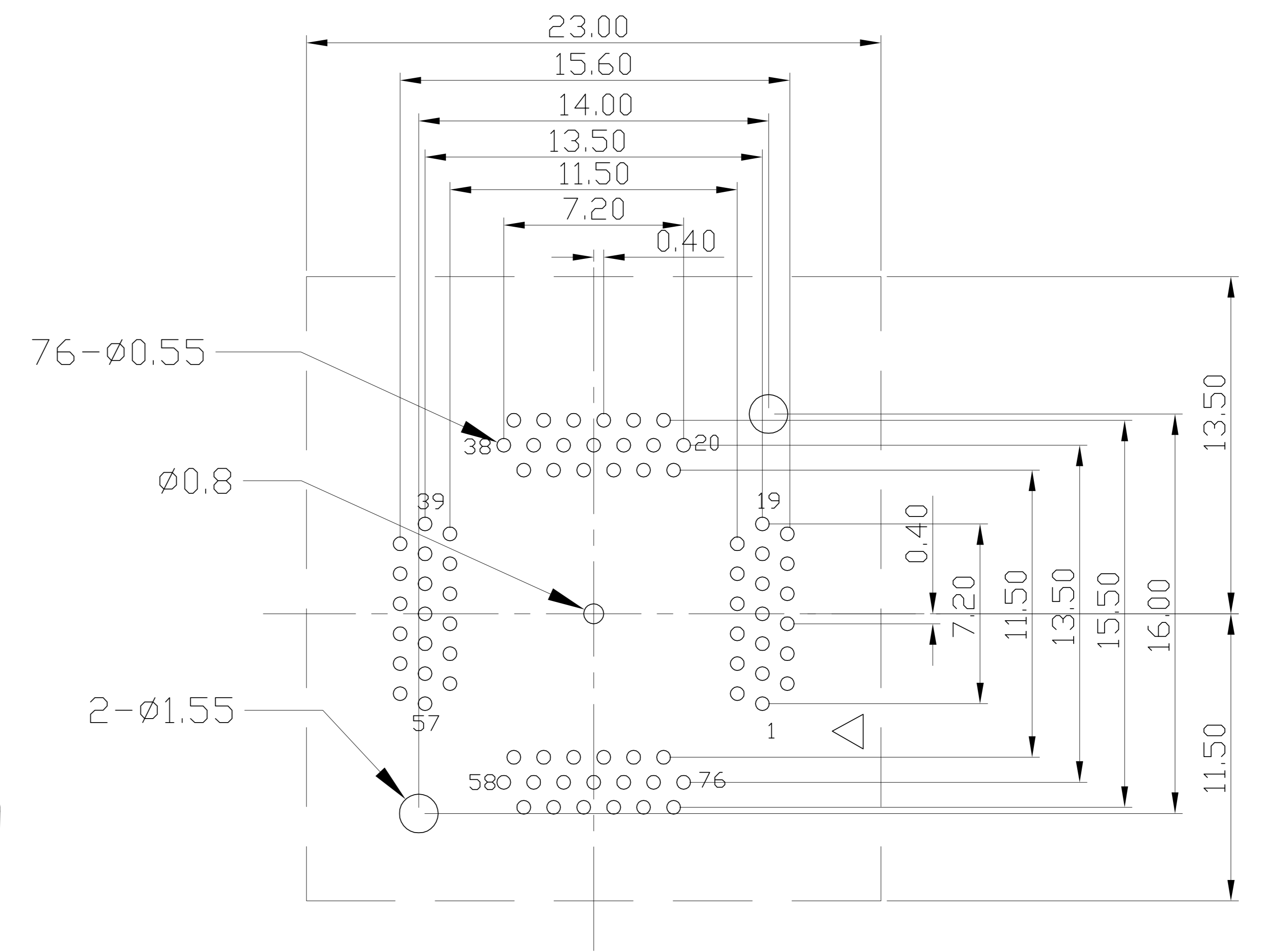
1. Insulation Resistance: 1000M $\Omega$  Min.At DC 500V
2. Dielectric Withstanding Voltage For 1 Minute At AC 700V
3. Contact Resistance 30m $\Omega$  MAX. at 10mA and 20mV MAX.(Initial)
4. Current Rating: 1A max.
5. Operation Temperature -40°C ~+155°C
6. Life Span 15,000 Times (Mechanical)
7. Operation Force 2.0 Kg MAX

TOLERANCE	PROJECTION	GENERAL TOLERANCES	±0.10	TITLE	QFN72-0.5 SOCKET
X.	± 0.50	DIMENSION: mm	SCALE: 1:1	CLASS	QFN72-0.5-CP01GT
X.X	± 0.25	APP:	DATE:		6U-PWQFN-0.5-72-10X10-01
X.XX	± 0.10	CHECK:	DATE:		
X.XXX	± 0.05	DEGK: ENG03	DATE: 20150606		

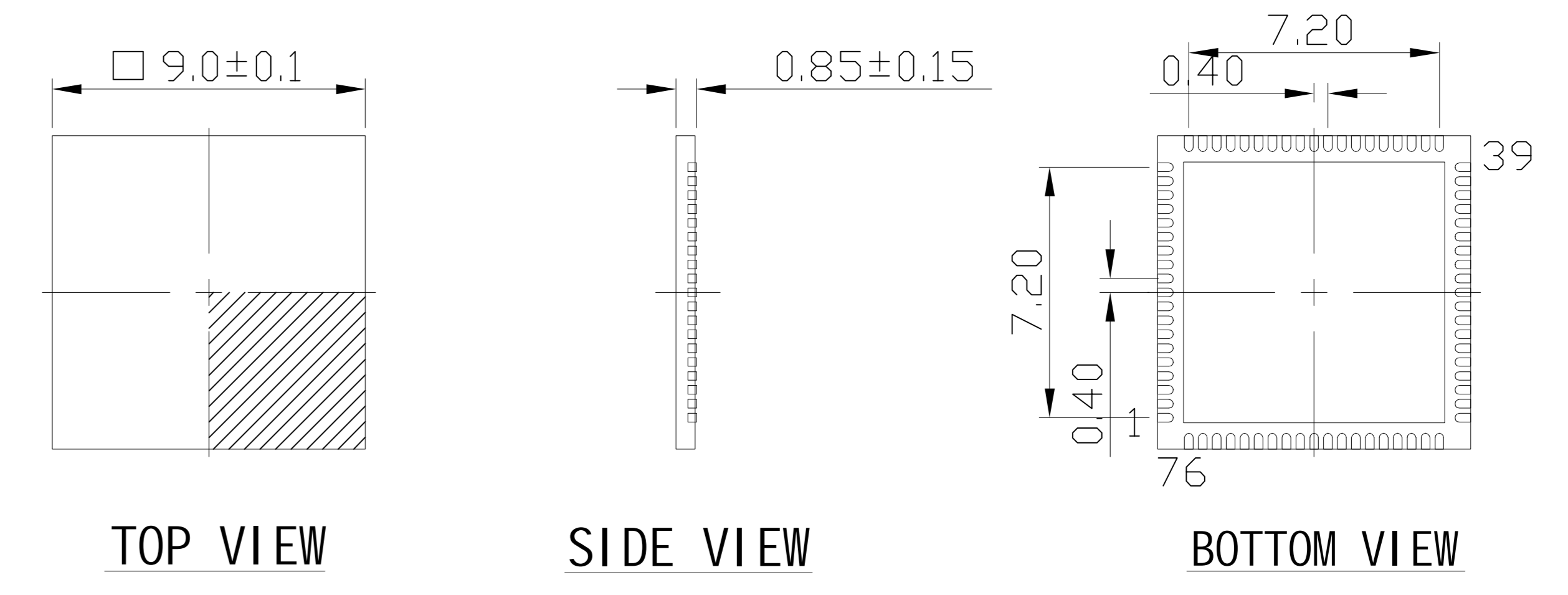
REVISION	DESCRIPTION	CHECK	APP	DATE	REV. NOTICE. NO
△ 1					
△ 2					
△ 3					



PCB Pattern(TOP View)



Applicable IC

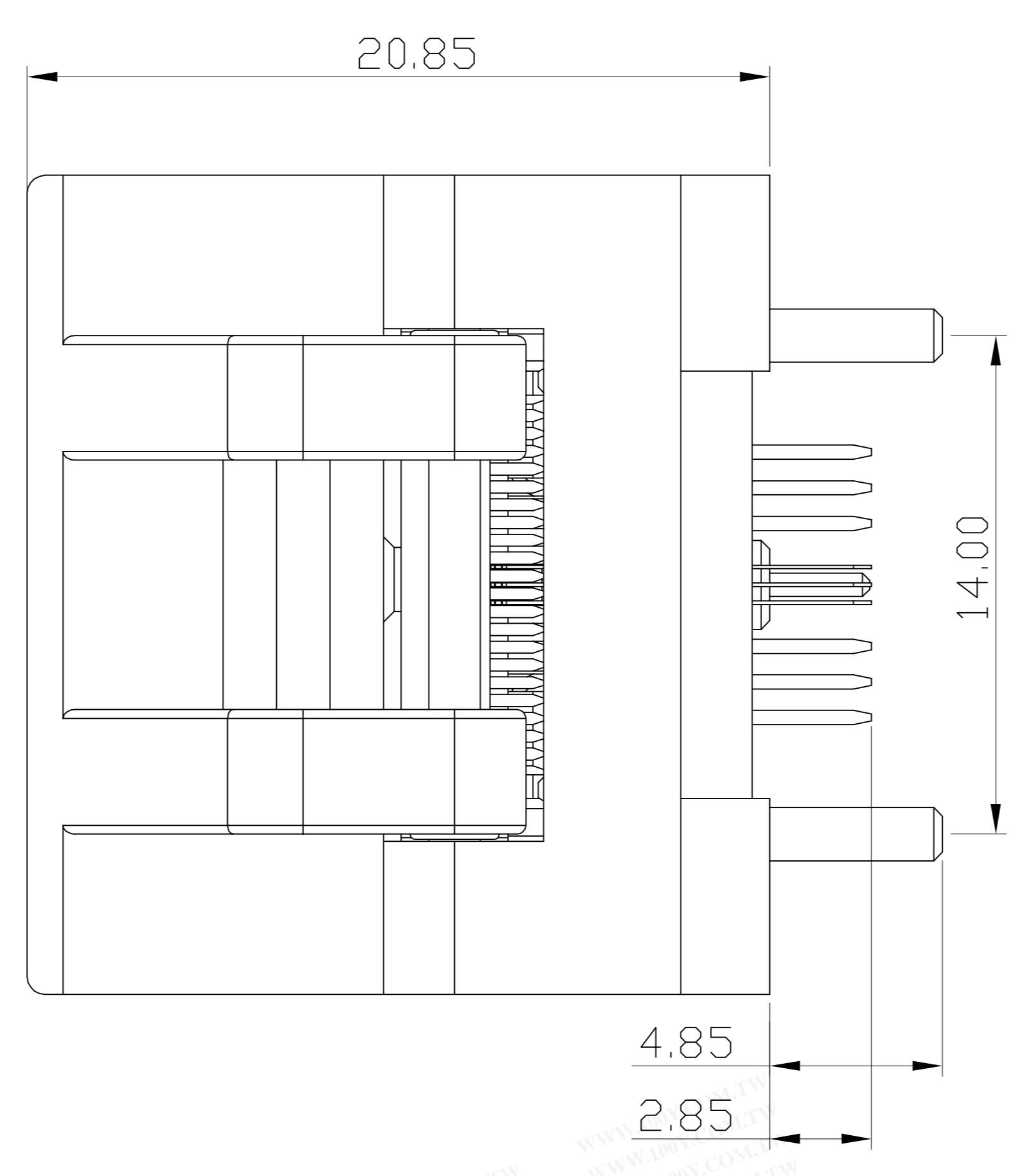
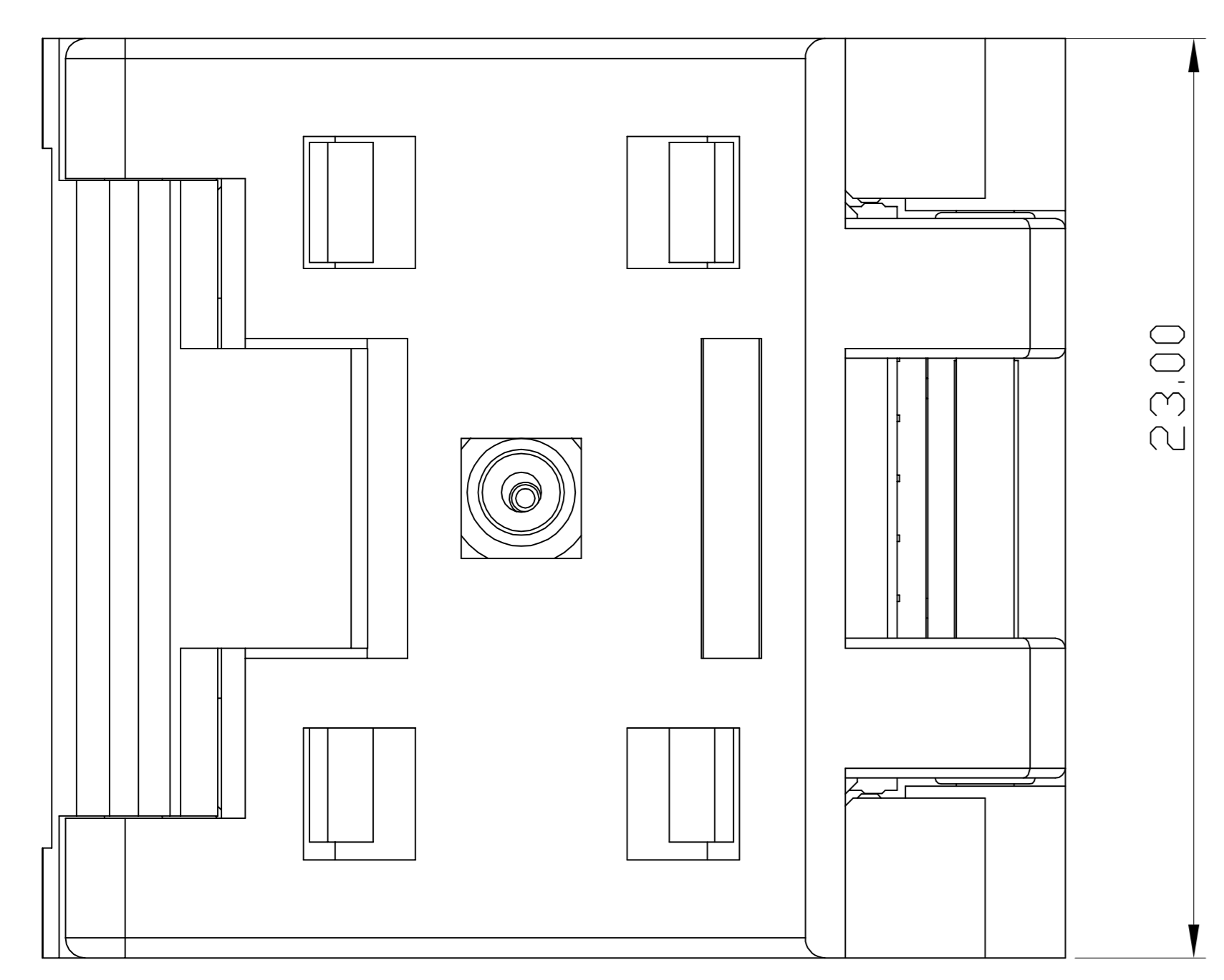


PERFORMANCE

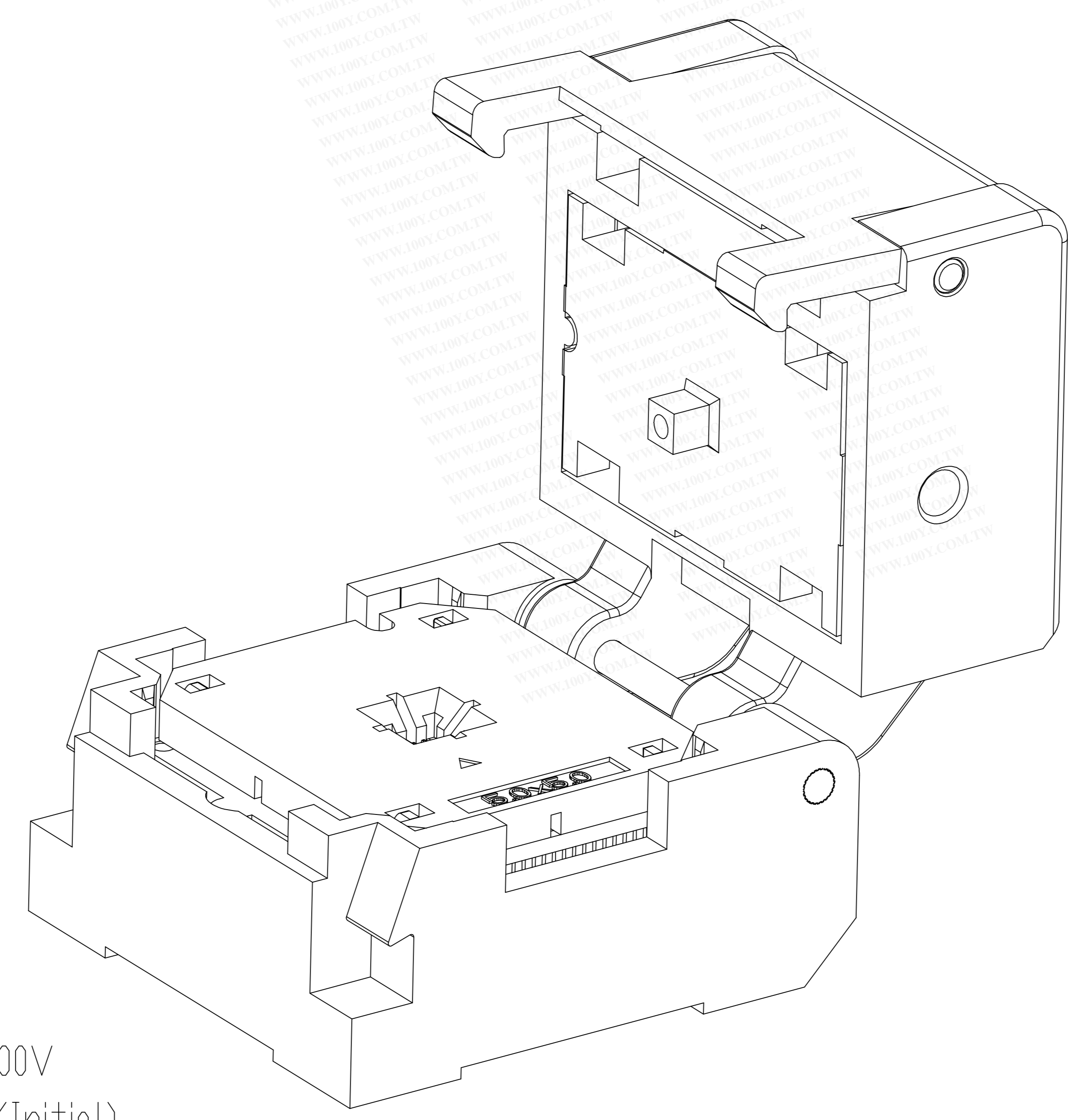
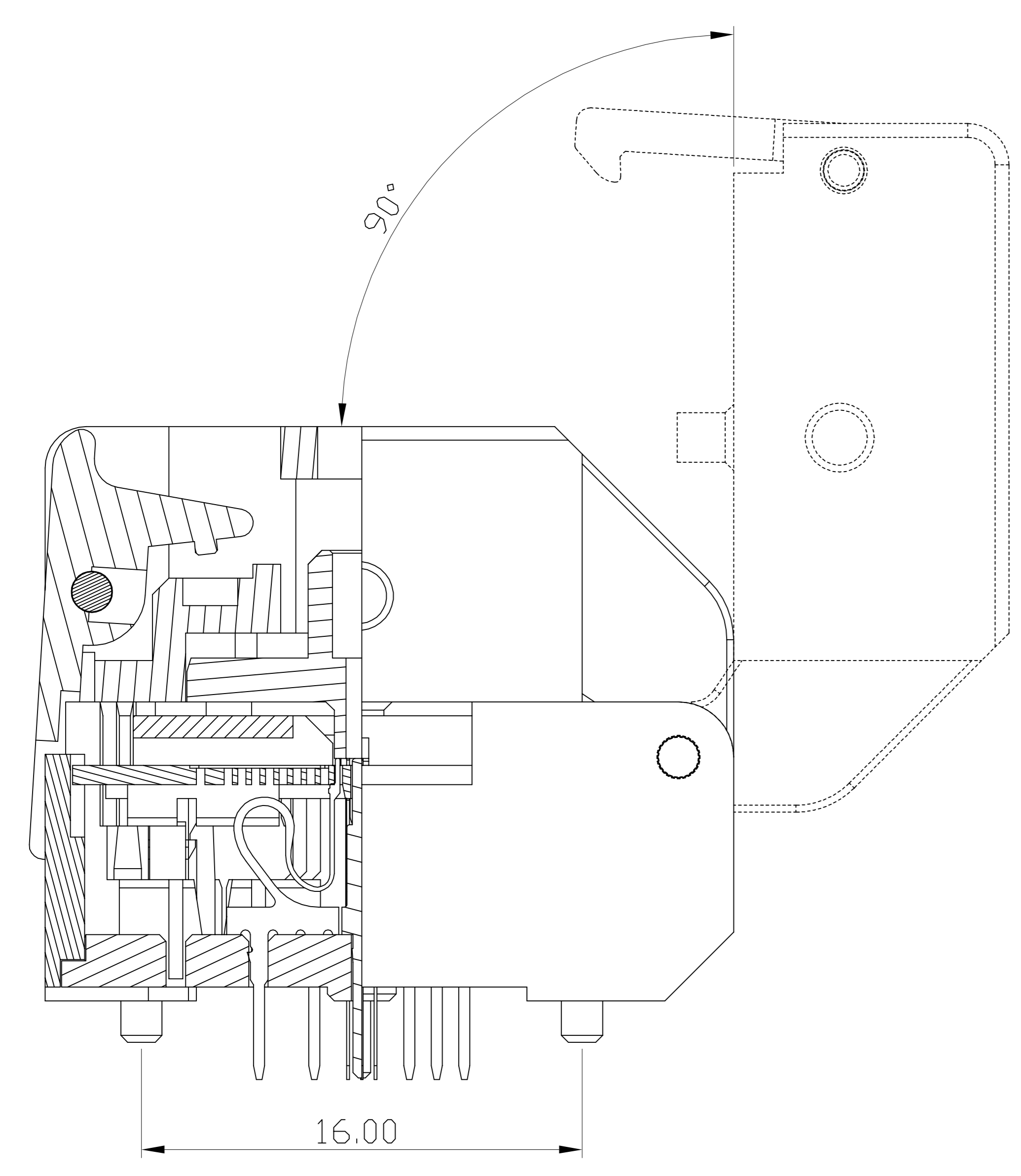
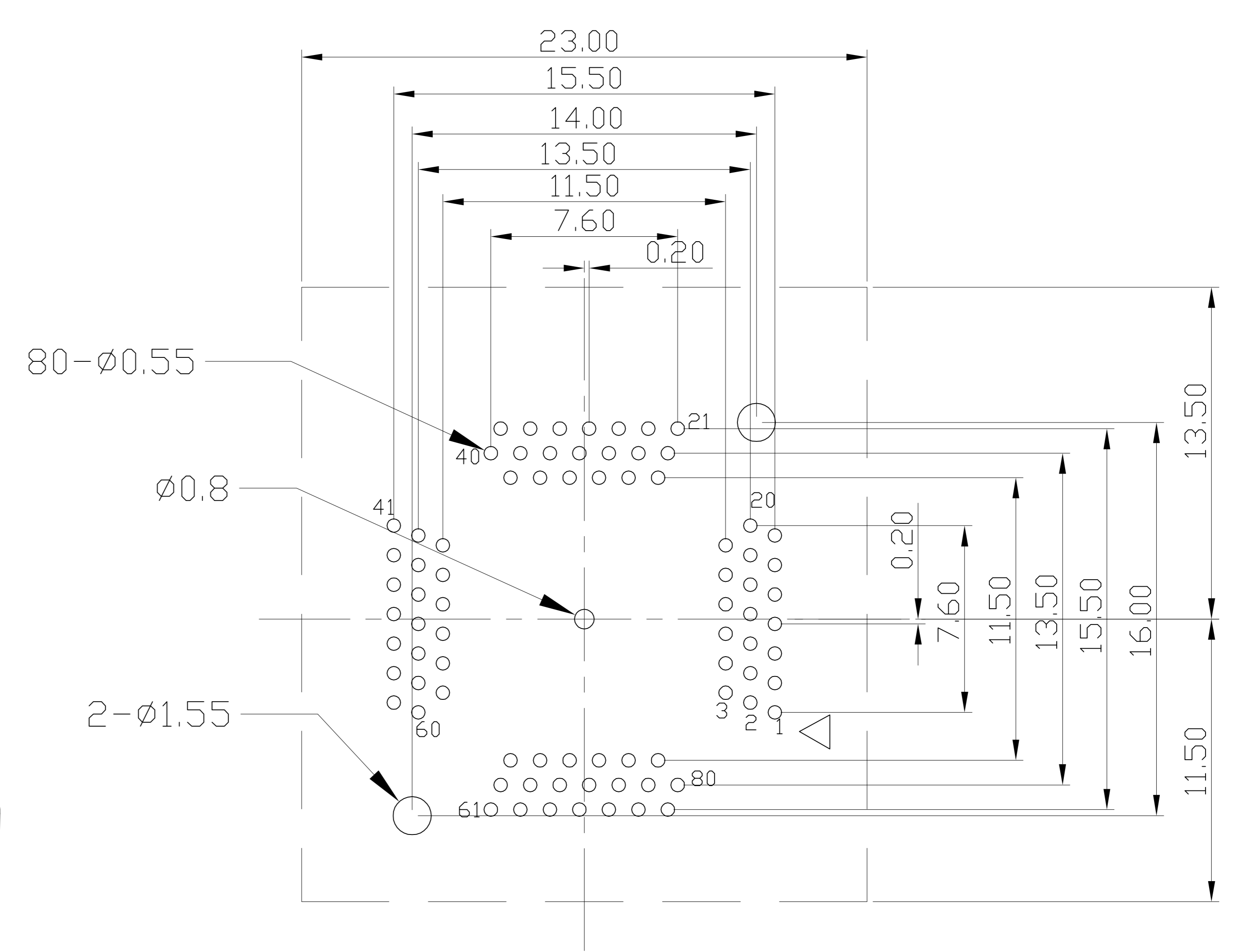
1. Insulation Resistance: 1000MΩ Min.At DC 500V
2. Dielectric Withstanding Voltage For 1 Minute At AC 700V
3. Contact Resistance 30mΩ MAX. at 10mA and 20mV MAX.(Initial)
4. Current Rating: 1A max.
5. Operation Temperature -55°C ~+175°C
6. Life Span 15,000 Times (Mechanical)
7. Operation Force 2.0 Kg MAX

TOLERANCE	PROJECTION	GENERAL TOLERANCES	±0.10	TITLE	QFN76-0.4 SOCKET
X.	± 0.50	DIMENSION: mm	SCALE: 1:1	CLASS	QFN76-0.4-CP01GT
X.X	± 0.25	APP:	DATE:	DRW. NO	6U-PWQFN-0.4-76-9X9-01
X.XX	± 0.10	CHECK:	DATE:		
X.XXX	± 0.05	DEGK: ENG03	DATE: 20150606		

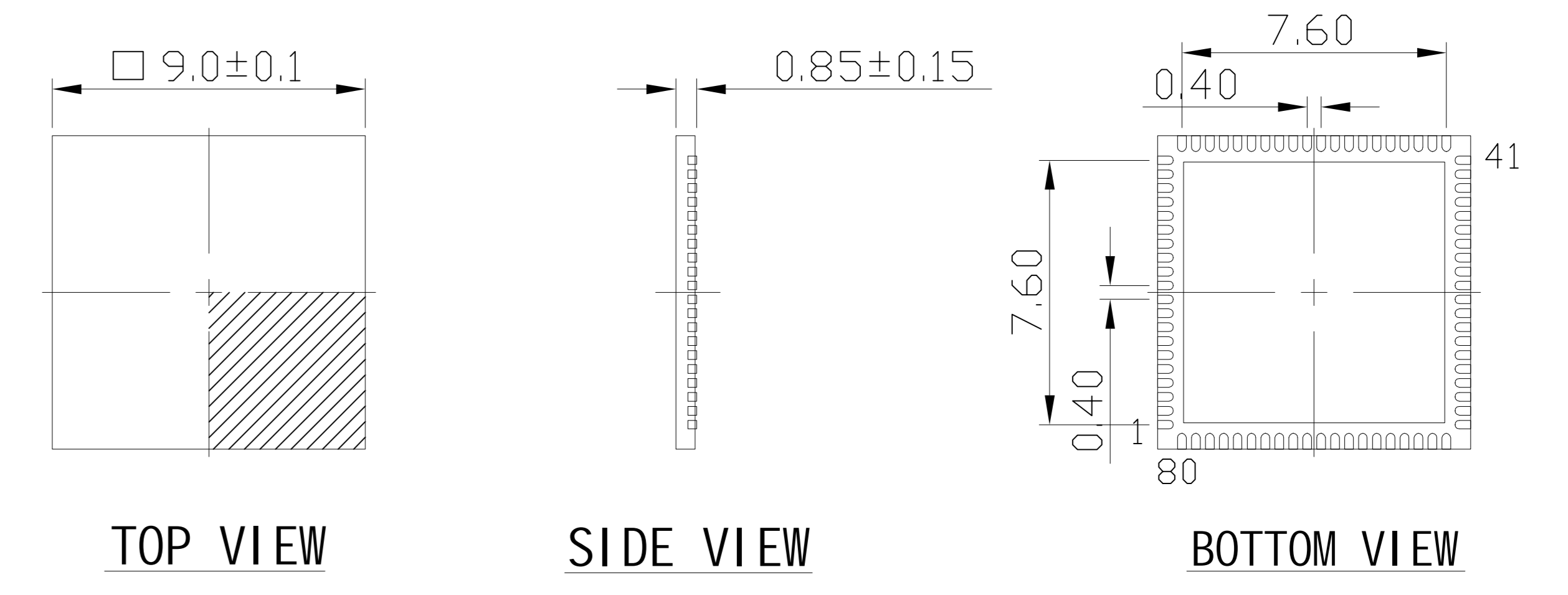
REVISION	DESCRIPTION	CHECK	APP	DATE	REV. NOTICE. NO
△ 1					
△ 2					
△ 3					



PCB Pattern(TOP View)



Applicable IC

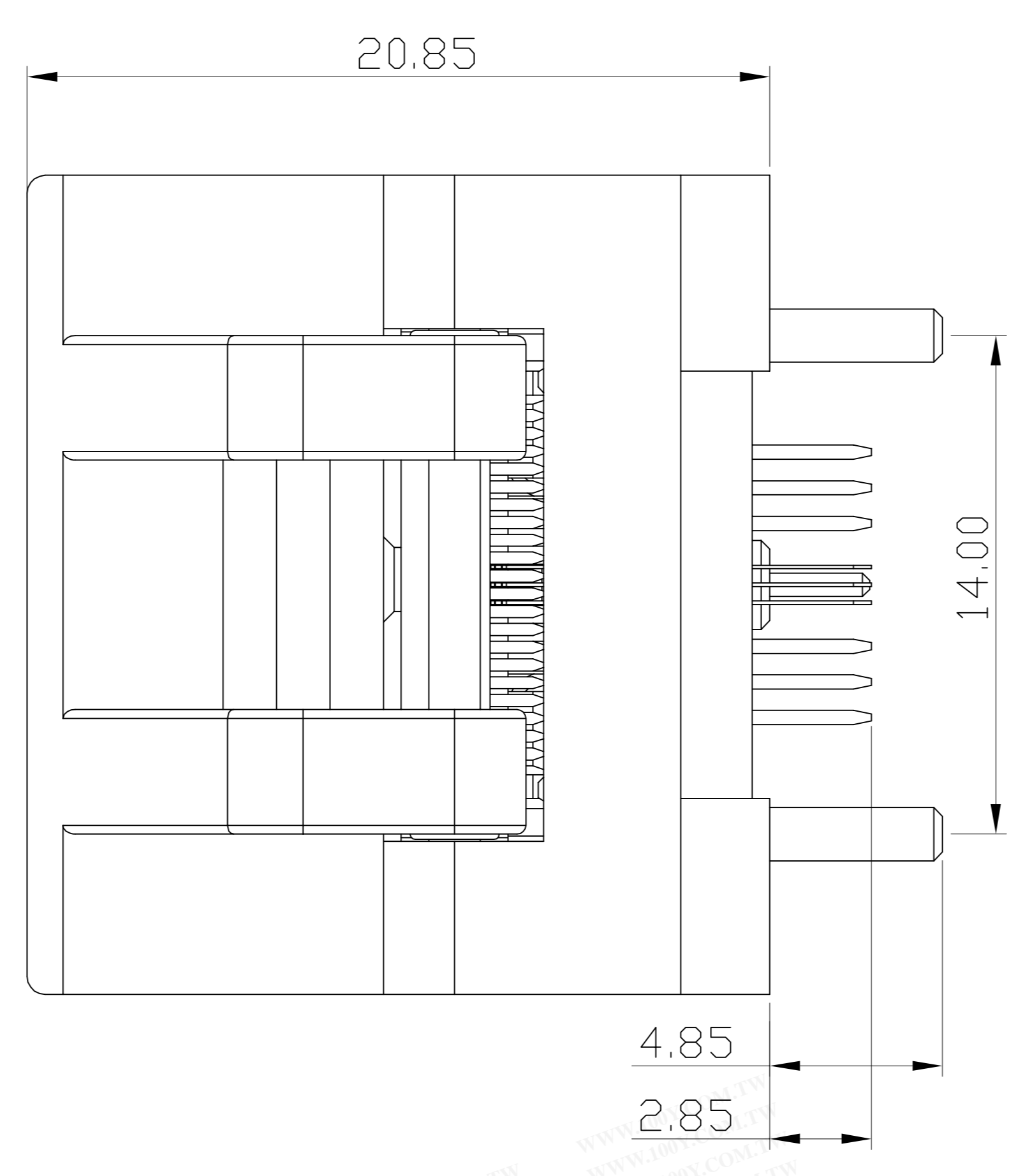
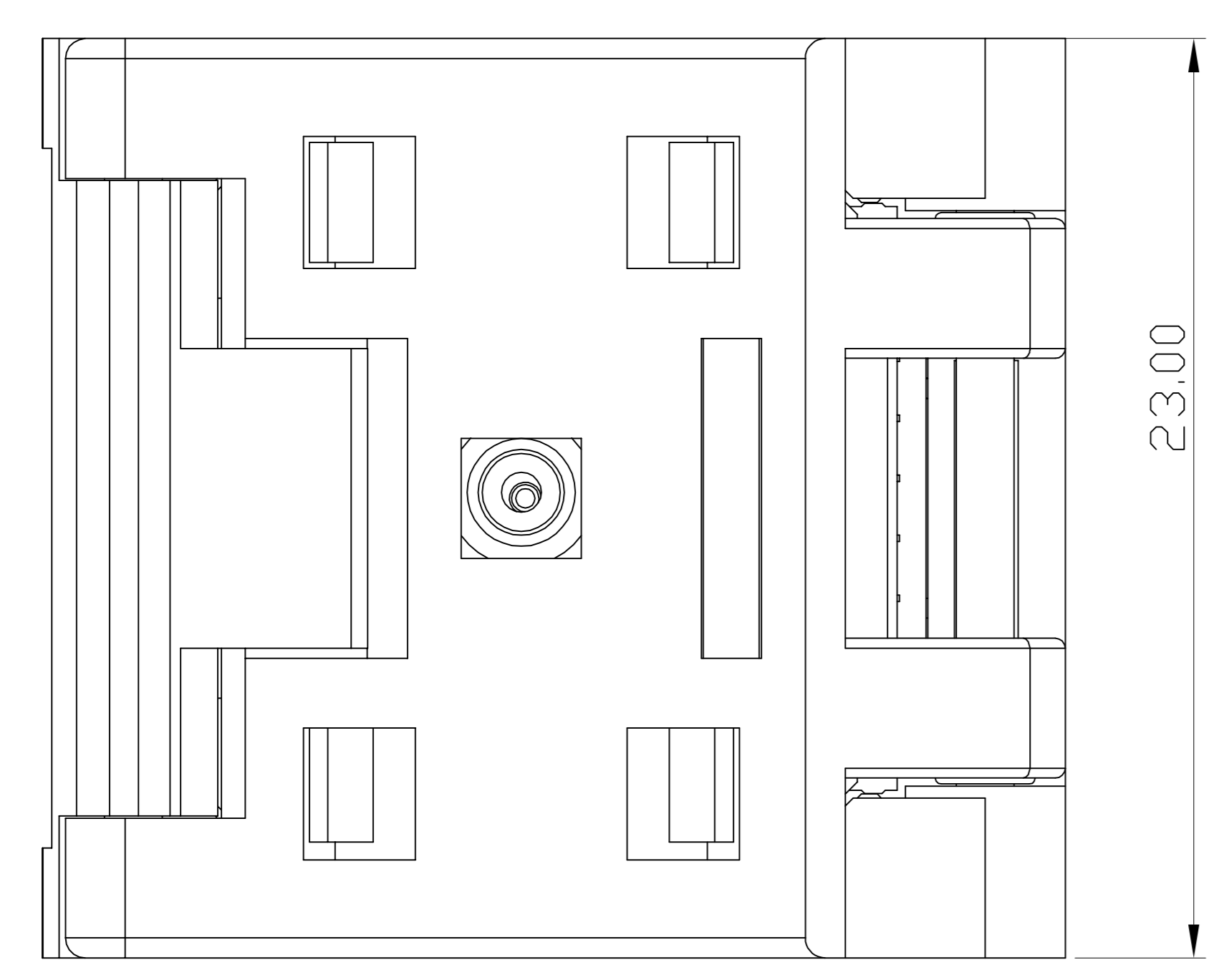


PERFORMANCE

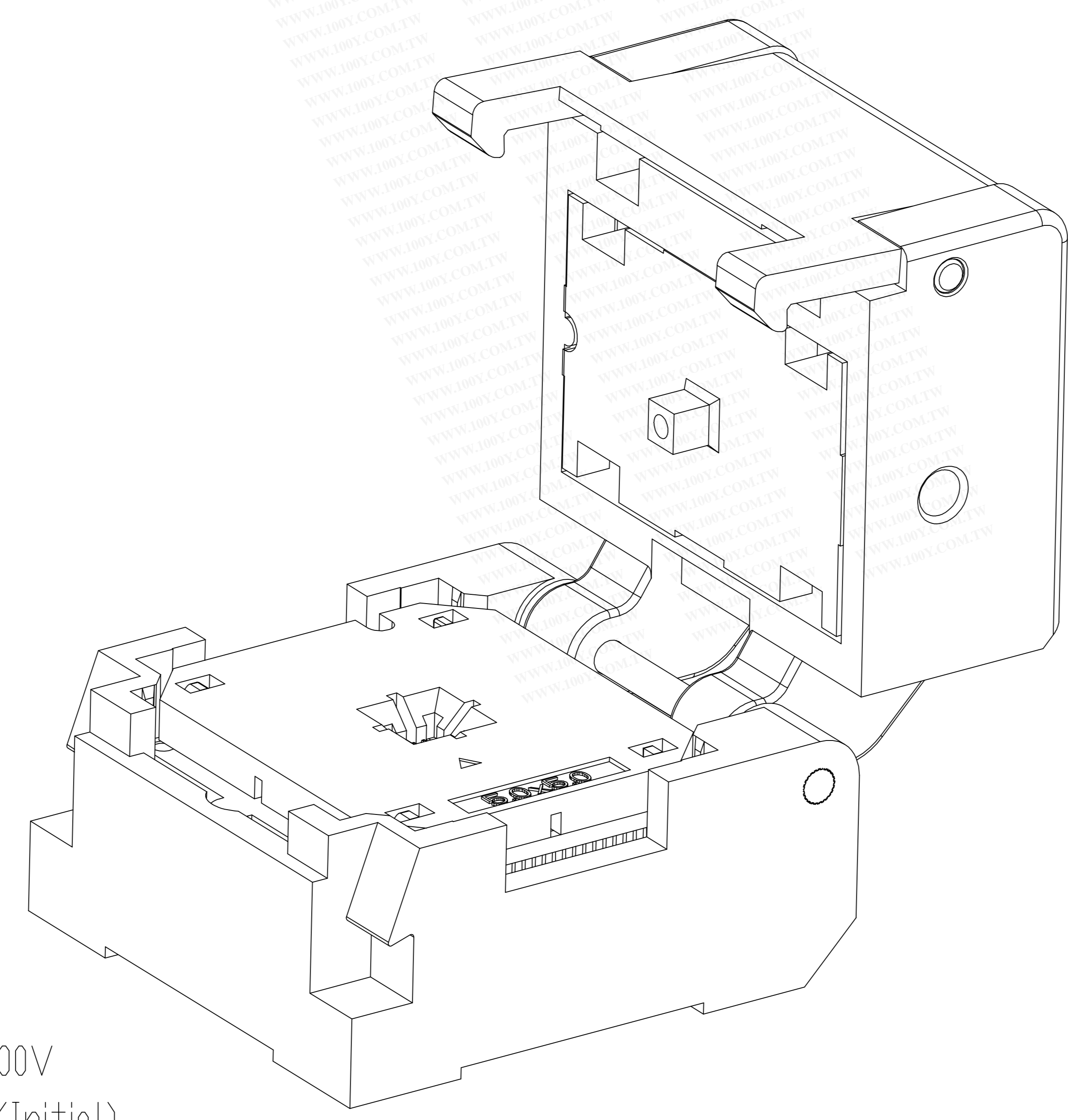
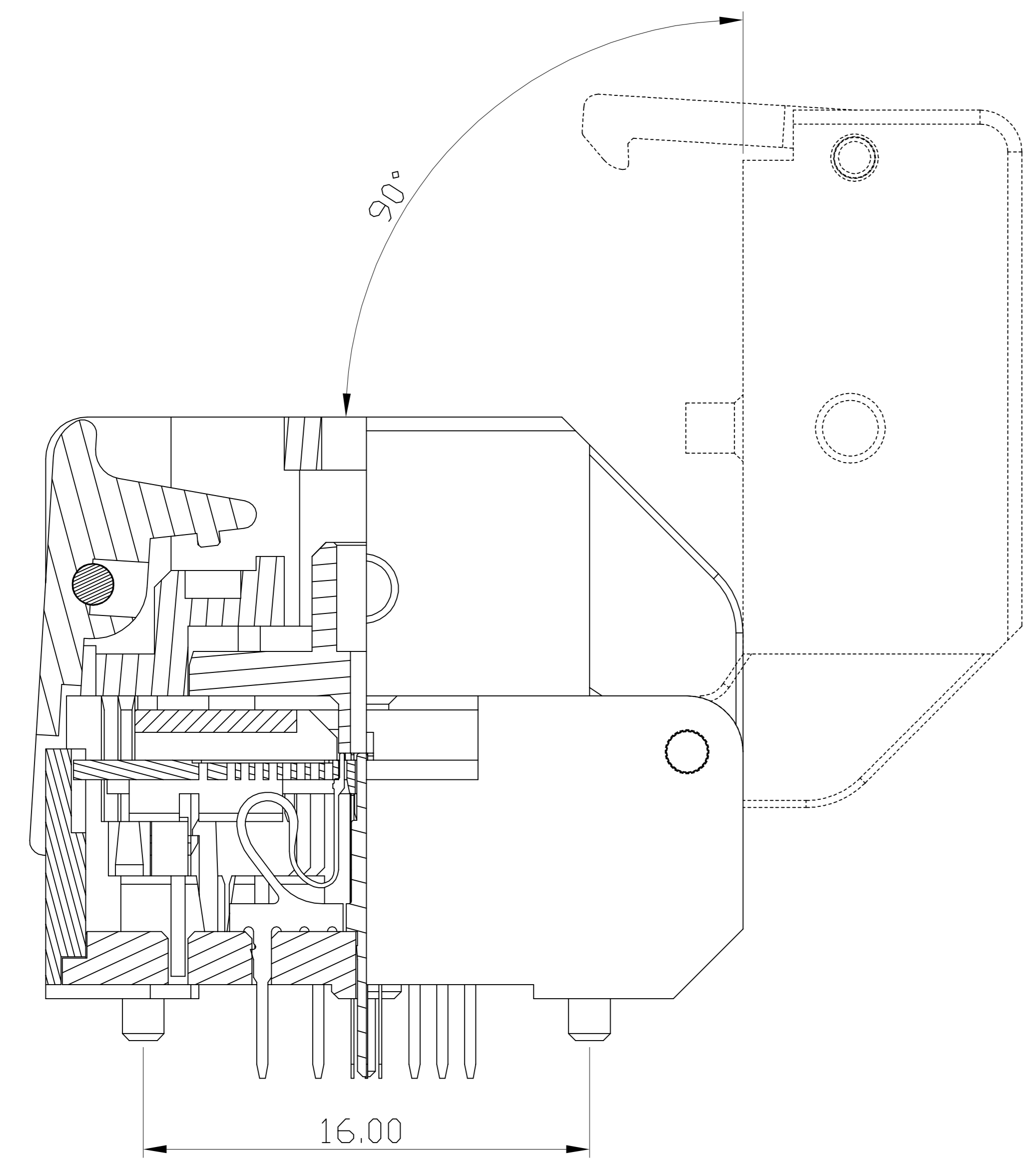
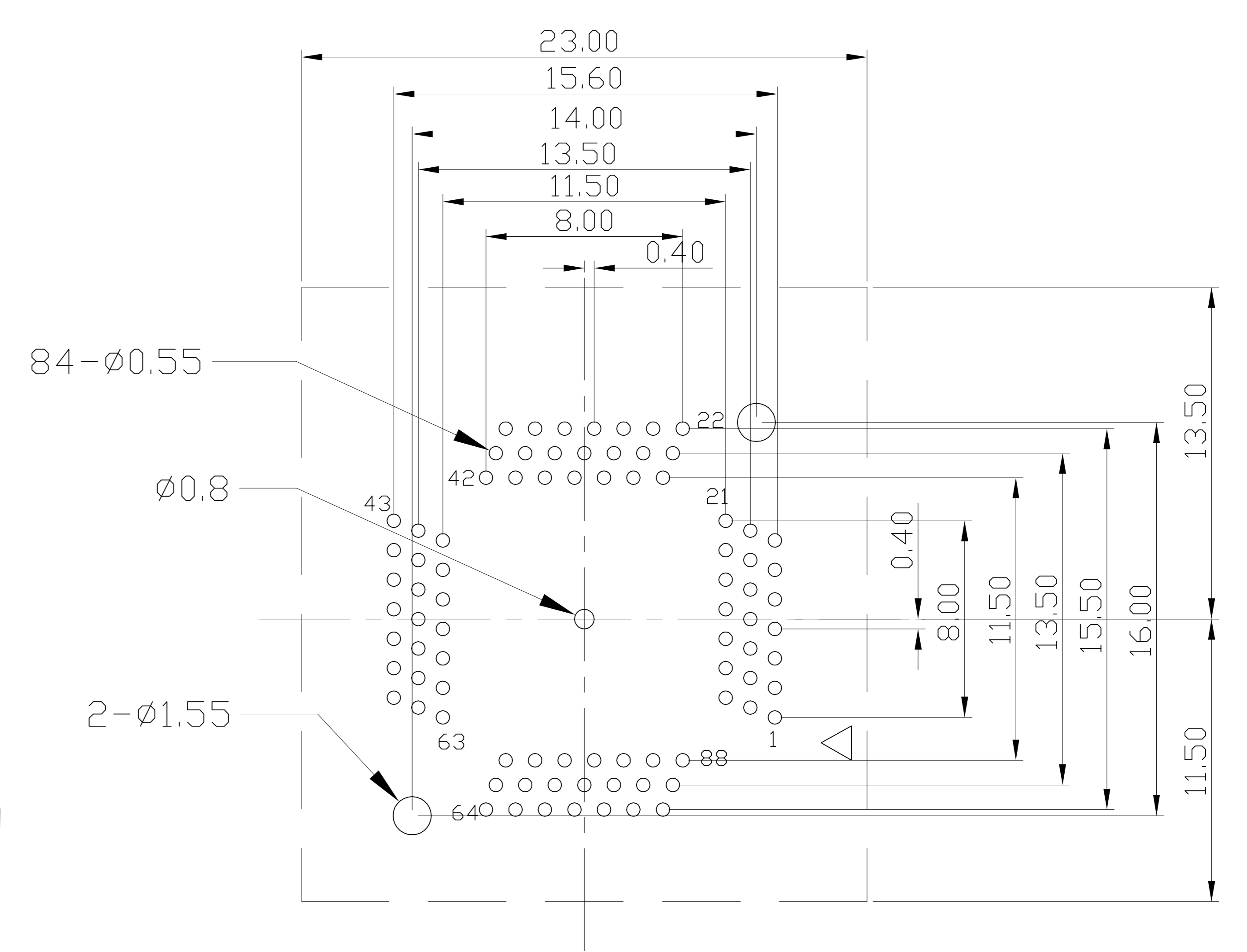
- 1、Insulation Resistance: 1000MΩ Min.At DC 500V
- 2、Dielectric Withstanding Voltage For 1 Minute At AC 700V
- 3、Contact Resistance 30mΩ MAX. at 10mA and 20mV MAX.(Initial)
- 4、Current Rating: 1A max.
- 5、Operation Temperature -55°C ~+175°C
- 6、Life Span 15,000 Times (Mechanical)
- 7、Operation Force 2.0 Kg MAX

TOLERANCE	PROJECTION	GENERAL TOLERANCES	±0.10	TITLE	QFN80-0.4 SOCKET
X.	± 0.50	DIMENSION: mm	SCALE: 1:1	CLASS	QFN80-0.4-CP01GT
X.X	± 0.25	APP:	DATE:	DRW. NO	6U-PWQFN-0.4-80-9X9-01
X.XX	± 0.10	CHECK:	DATE:		
X.XXX	± 0.05	DEGK: ENG03	DATE: 20150606		

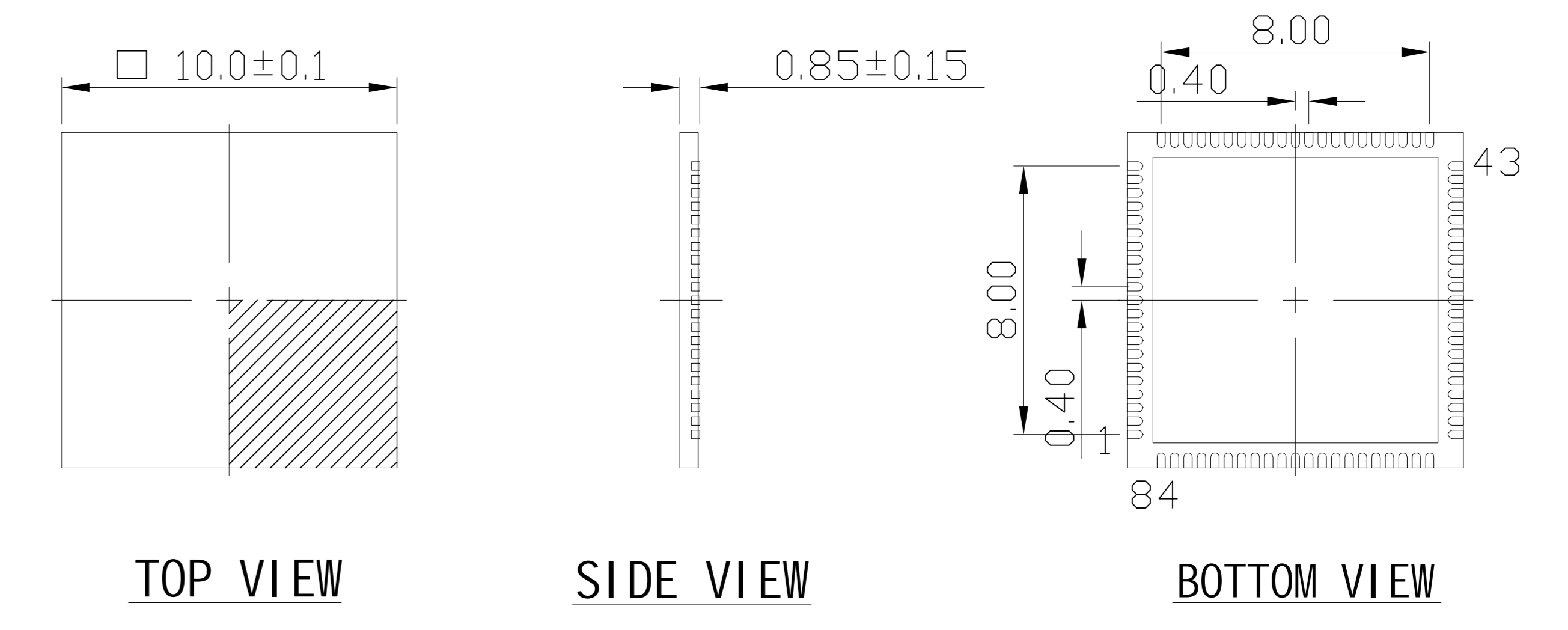
REVISION	DESCRIPTION	CHECK	APP	DATE	REV. NOTICE. NO
△ 1					
△ 2					
△ 3					



PCB Pattern(TOP View)



Applicable IC



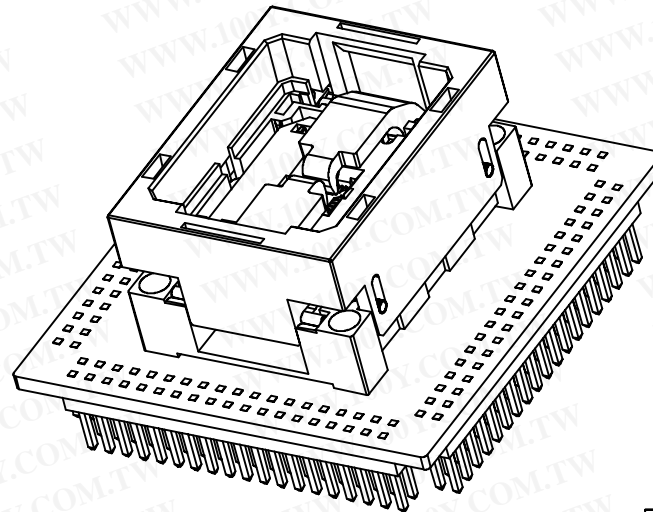
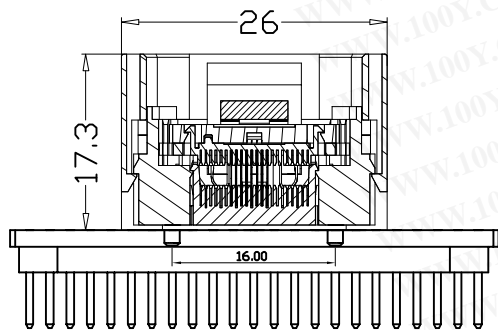
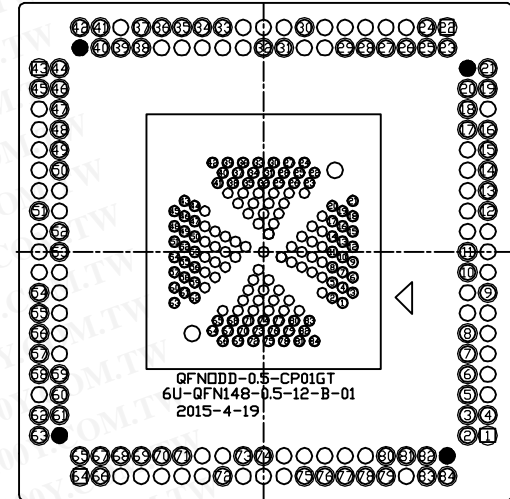
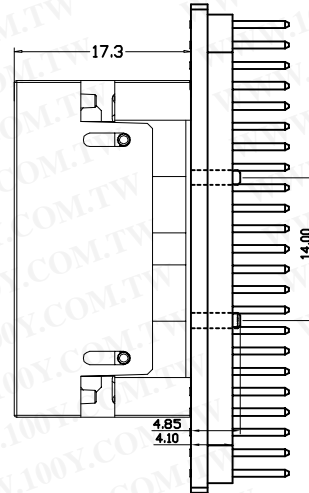
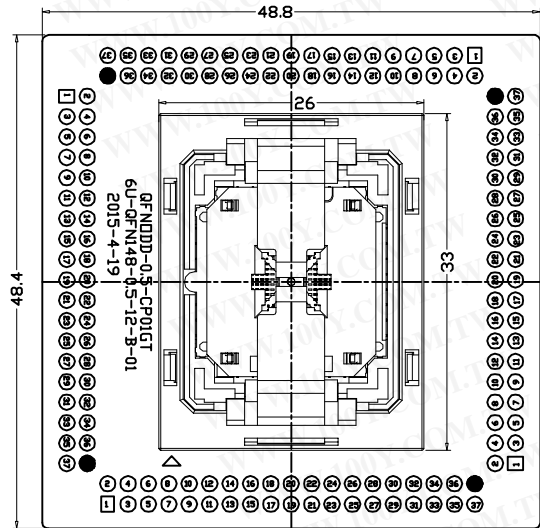
PERFORMANCE

- 1、Insulation Resistance: 1000MΩ Min.At DC 500V
- 2、Dielectric Withstanding Voltage For 1 Minute At AC 700V
- 3、Contact Resistance 30mΩ MAX. at 10mA and 20mV MAX.(Initial)
- 4、Current Rating: 1A max.
- 5、Operation Temperature -55°C ~+175°C
- 6、Life Span 15,000 Times (Mechanical)
- 7、Operation Force 2.0 Kg MAX

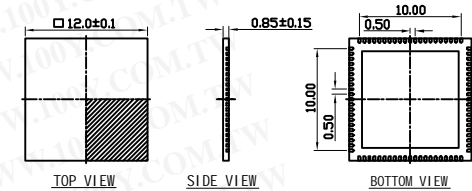
TOLERANCE	PROJECTION	GENERAL TOLERANCES	±0.10	TITLE	QFN84-0.4 SOCKET
X.	± 0.50	DIMENSION: mm	SCALE: 1:1	CLASS	QFN84 -0.4-CP01GT
X.X	± 0.25	APP:	DATE:		
X.XX	± 0.10	CHECK:	DATE:		
X.XXX	± 0.05	DEGK: ENG03	DATE: 20150606		

REVISION	DESCRIPTION	CHECK	APP	DATE	REV. NOTICE. NO
1					
2					
3					

# QFN 奇数万能转接板连线图

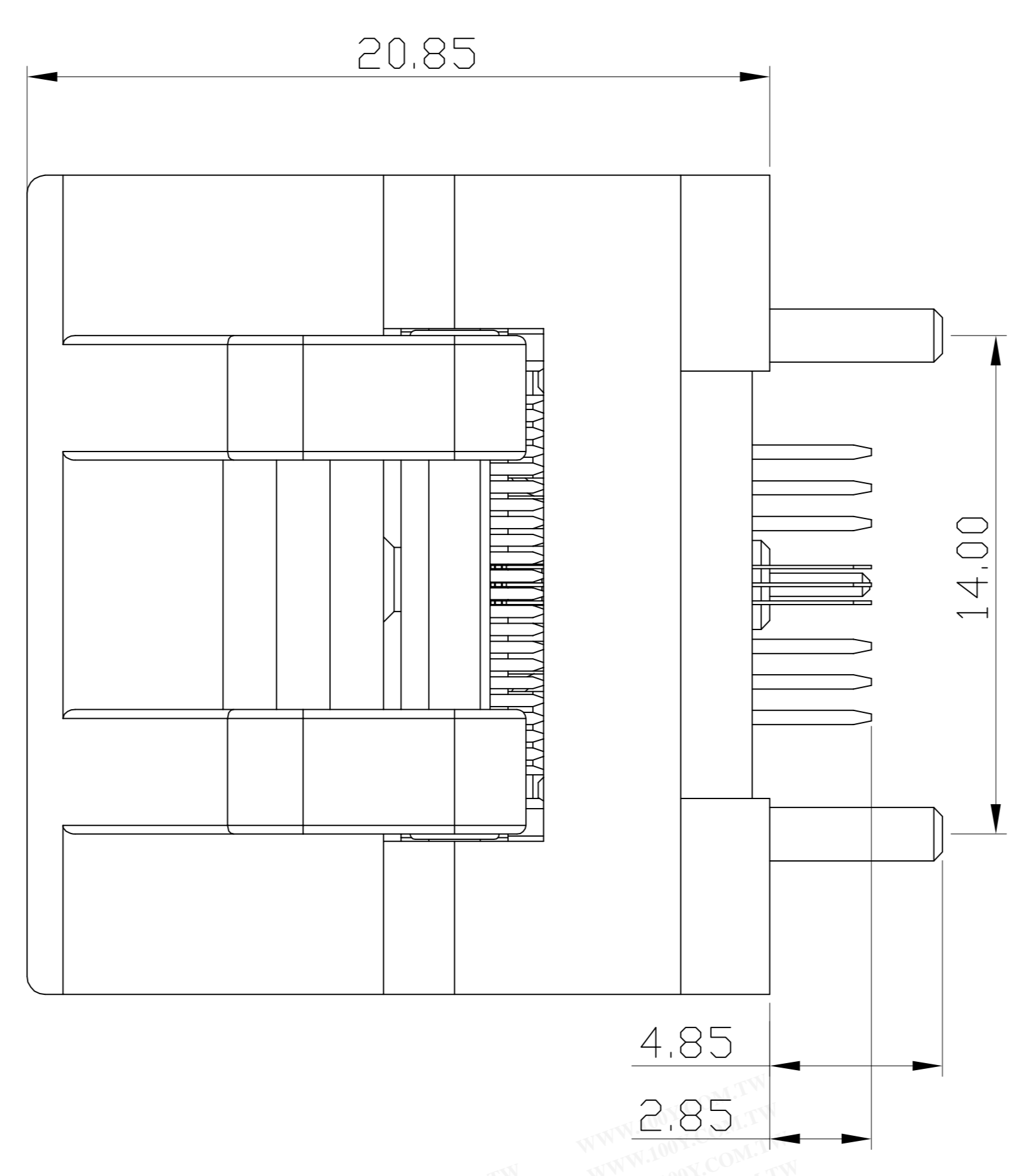
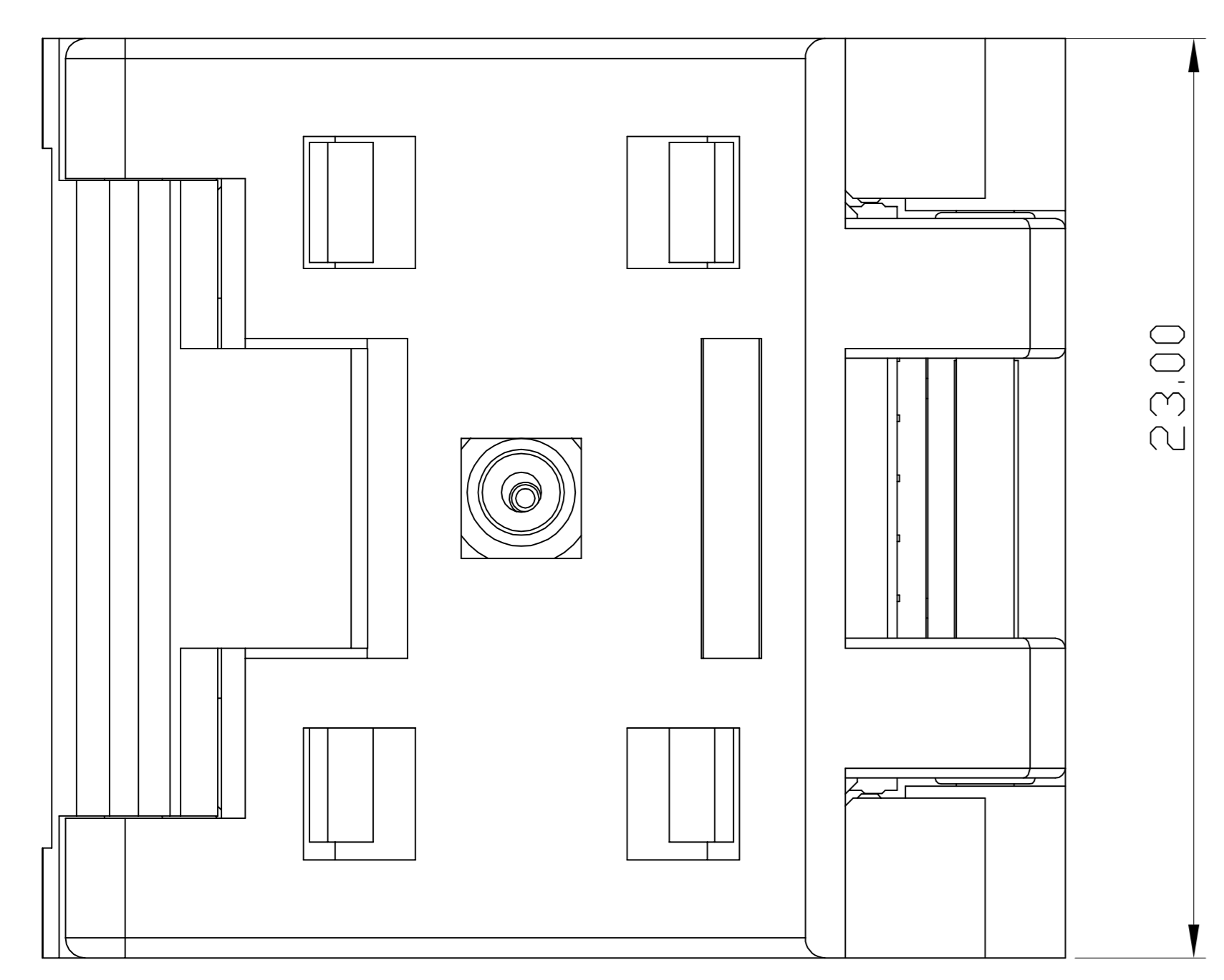


## Applicable IC

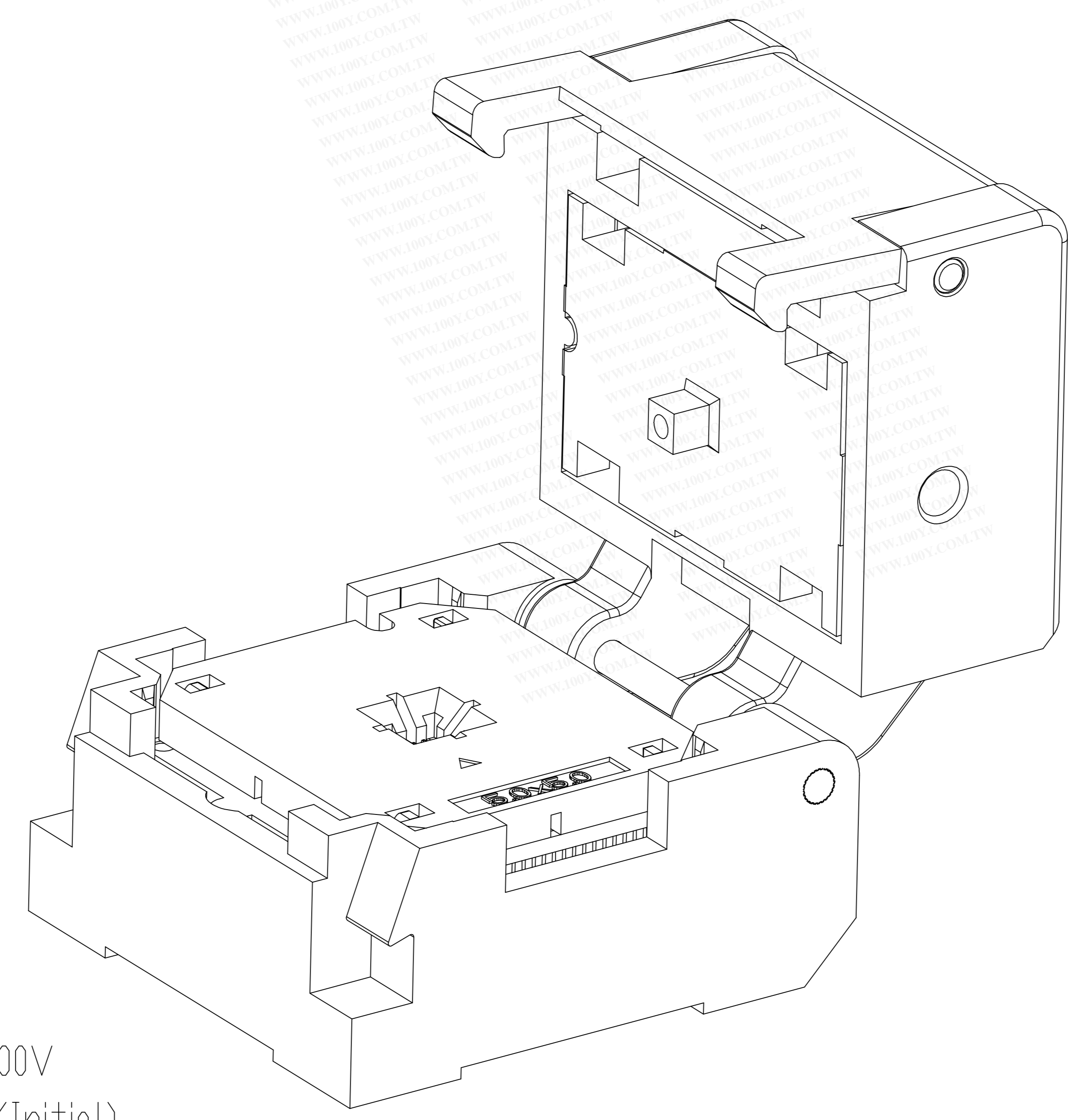
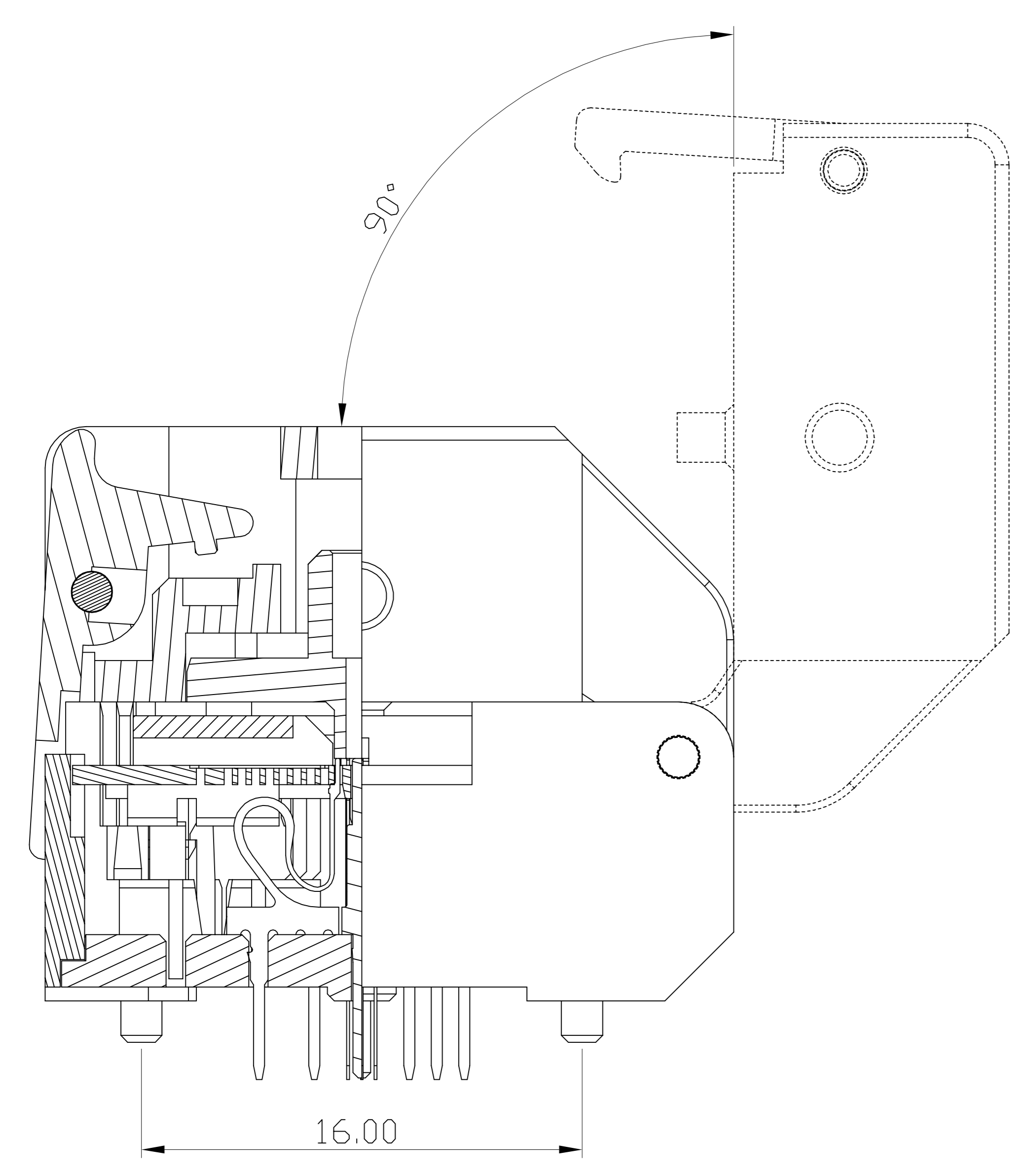
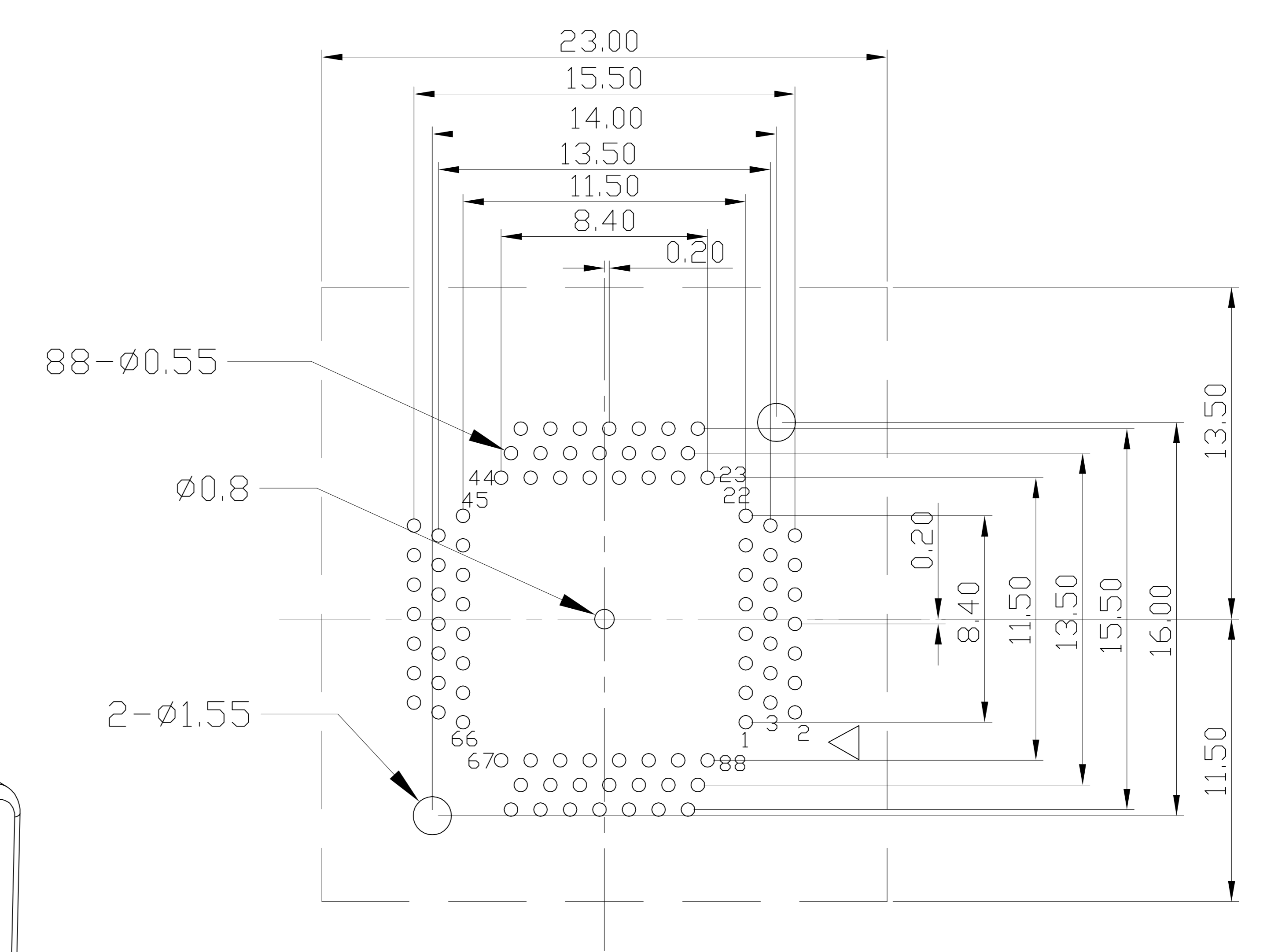


PROJECTION		GENERAL TOLERANCES	±0.10	TITLE	QFN84-0.5 SOCKET
		R E V	A	CLASS	7L-24084B-101
DIMENSION:	mm	SCALE:	1:1	DRW. NO	7L-PWQFN-0.5-84-B-01
APP:		DATE:			
CHECK:		DATE:			
DECK:		DATE:	20120822		

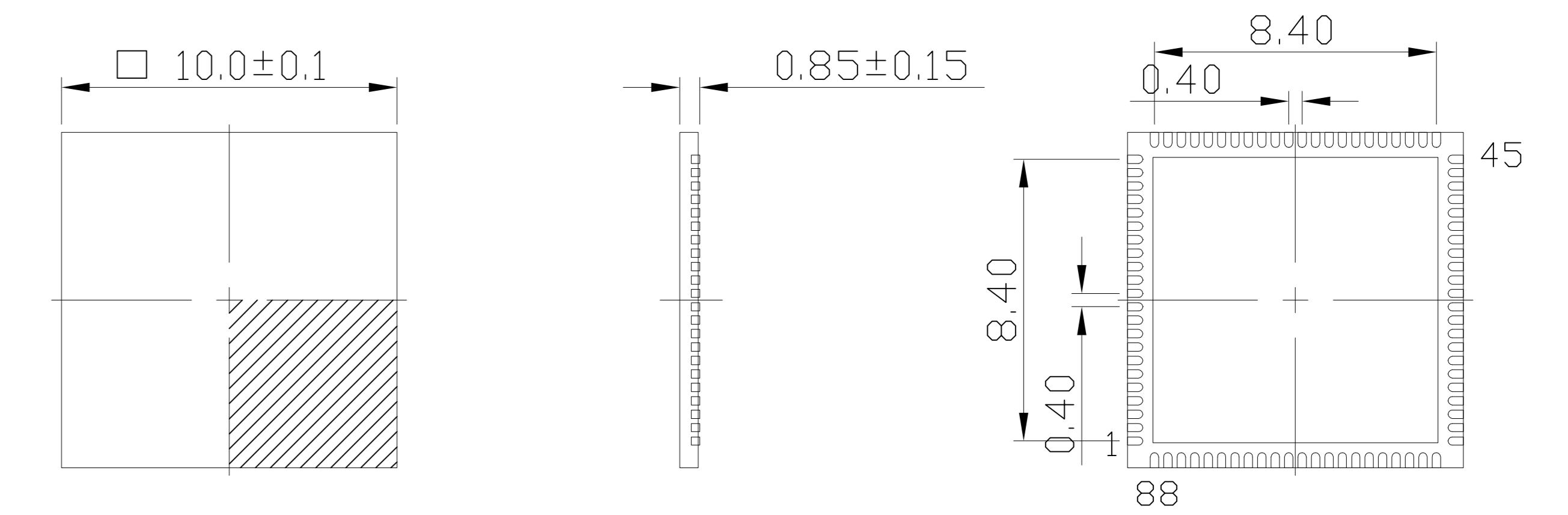
REVISION	DESCRIPTION	CHECK	APP	DATE	REV. NOTICE. NO
△ 1					
△ 2					
△ 3					



PCB Pattern(TOP View)



Applicable IC



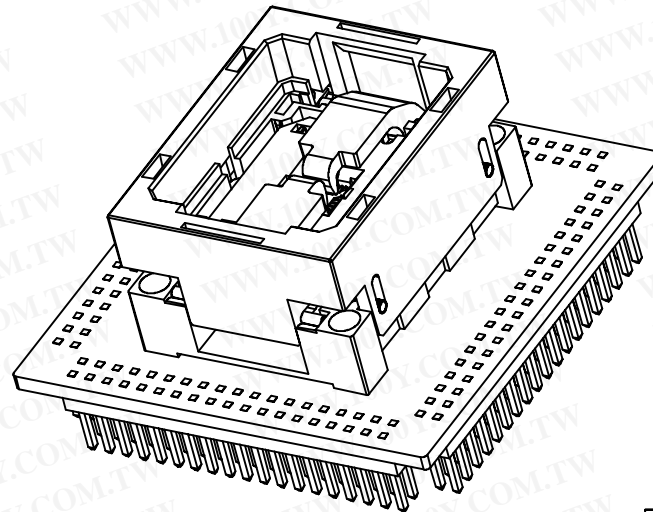
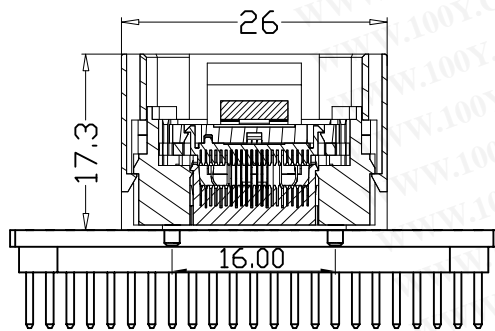
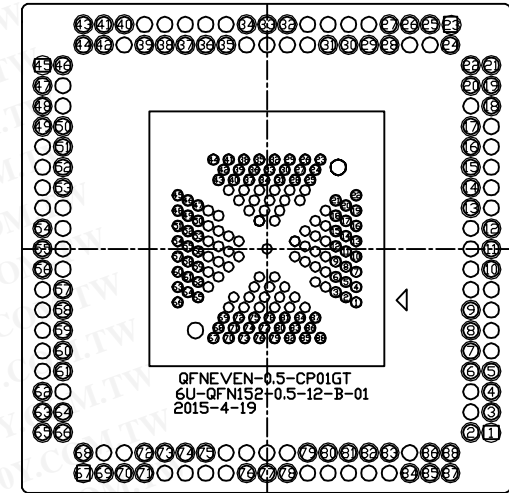
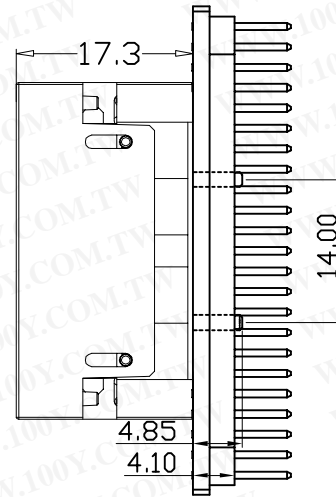
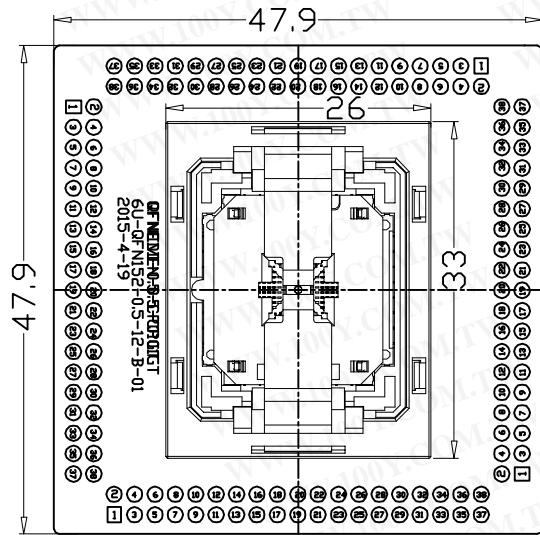
PERFORMANCE

- 1、Insulation Resistance: 1000M $\Omega$  Min.At DC 500V
- 2、Dielectric Withstanding Voltage For 1 Minute At AC 700V
- 3、Contact Resistance 30m $\Omega$  MAX. at 10mA and 20mV MAX.(Initial)
- 4、Current Rating: 1A max.
- 5、Operation Temperature -55°C ~+175°C
- 6、Life Span 15,000 Times (Mechanical)
- 7、Operation Force 2.0 Kg MAX

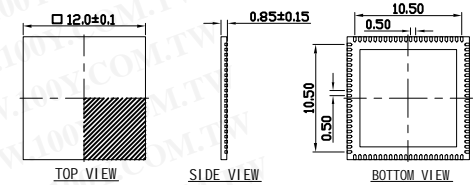
TOLERANCE	PROJECTION	GENERAL TOLERANCES	±0.10	TITLE	QFN88-0.4 SOCKET
X.	± 0.50	DIMENSION: mm	SCALE: 1:1	CLASS	QFN88-0.4-CP01GT
X.X	± 0.25	APP:	DATE:		6U-PWQFN-0.4-88-10X10-01
X.XX	± 0.10	CHECK:	DATE:		
X.XXX	± 0.05	DEGK: ENG03	DATE: 20150606		

REVISION	DESCRIPTION	CHECK	APP	DATE	REV. NOTICE. NO
1					
2					
3					

# QFN 偶数万能转接板连线图



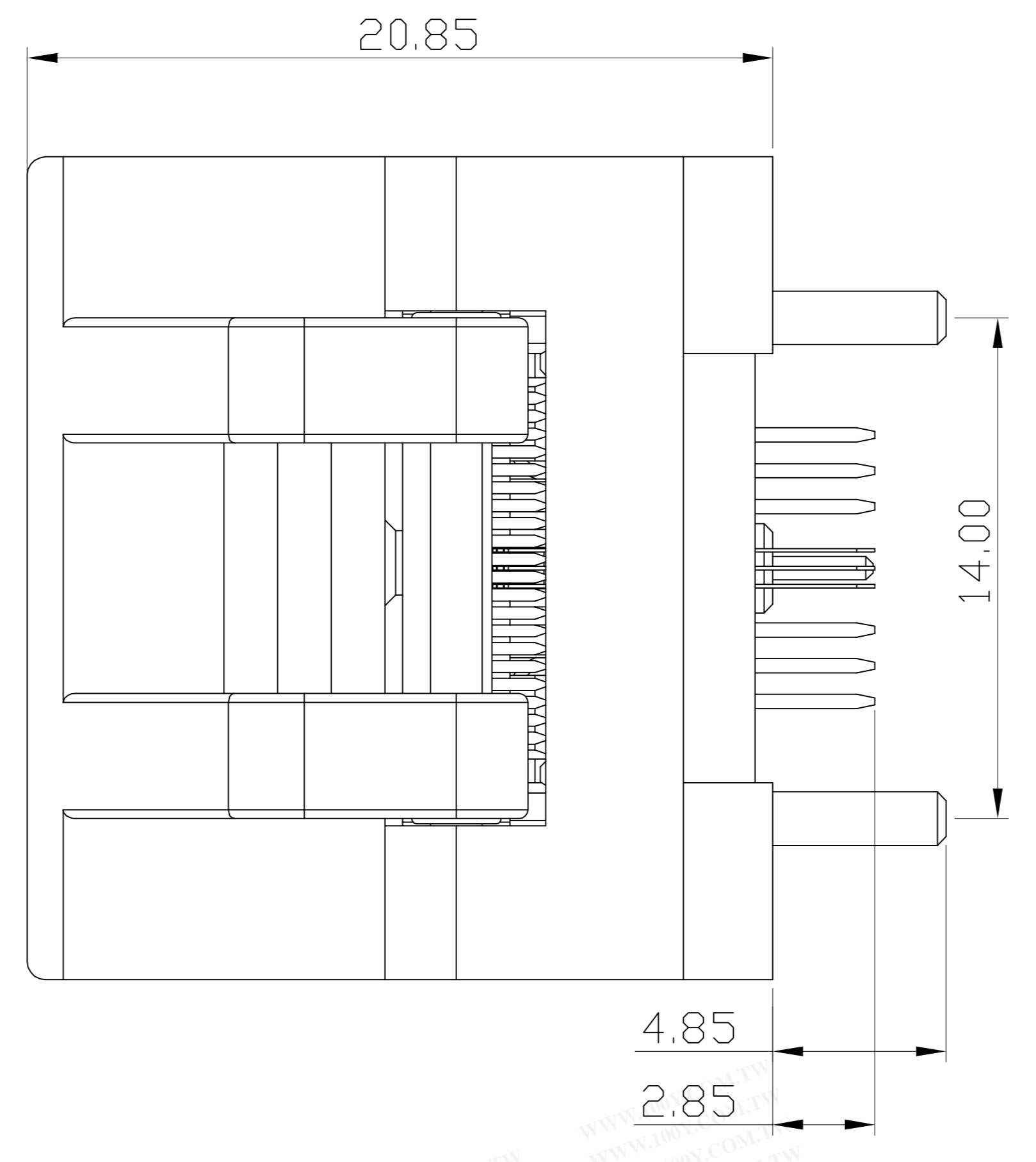
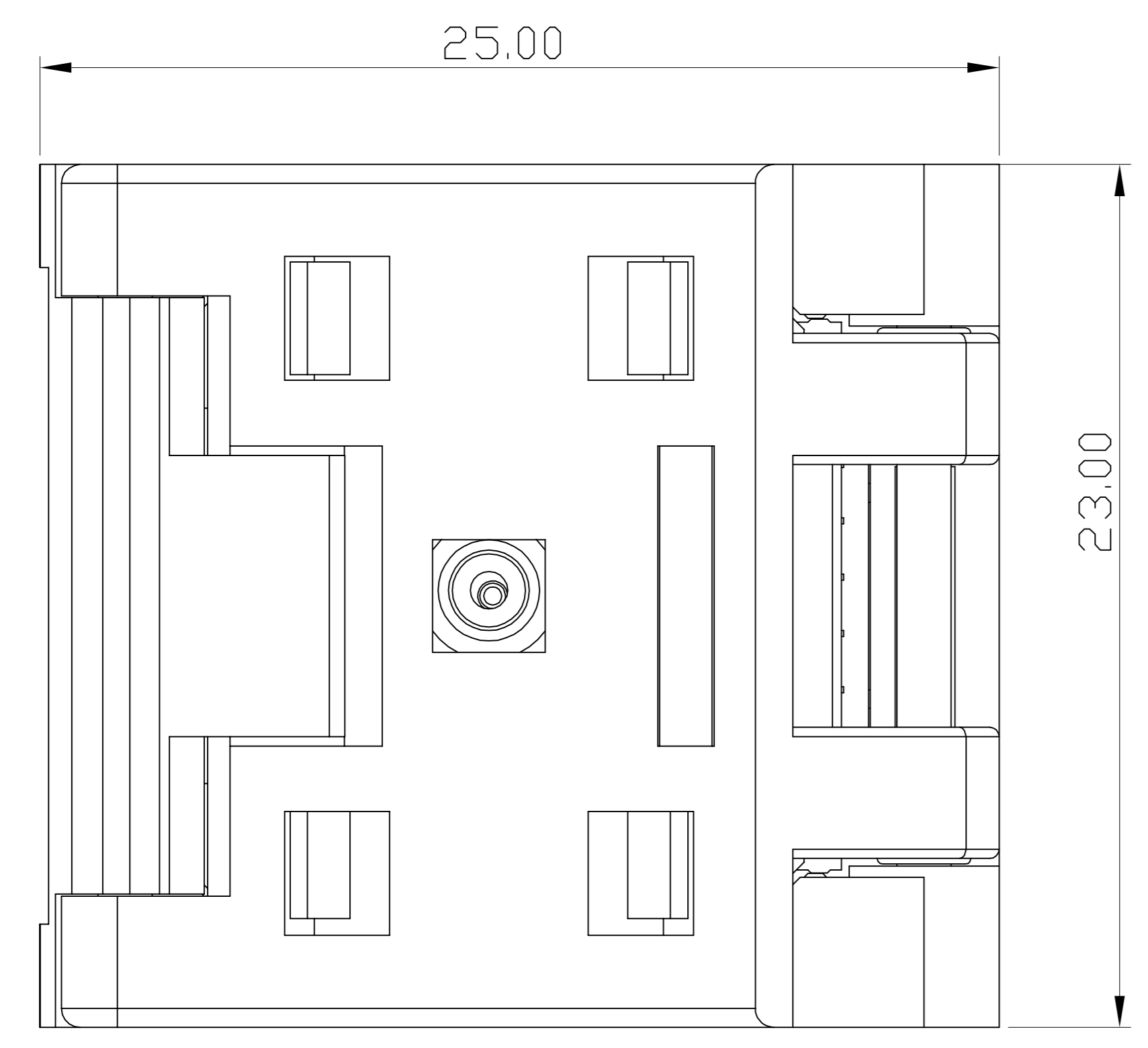
## Applicable IC



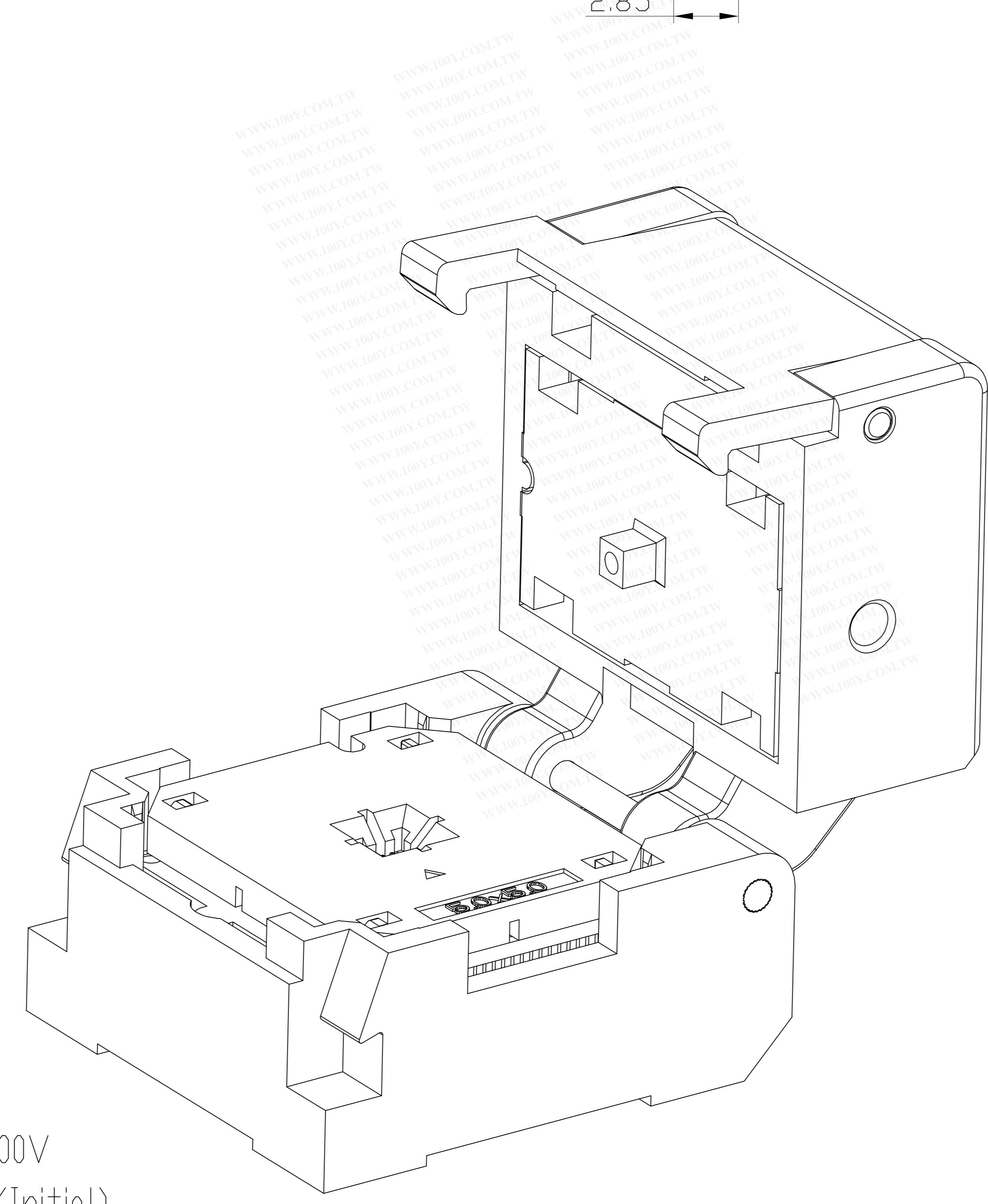
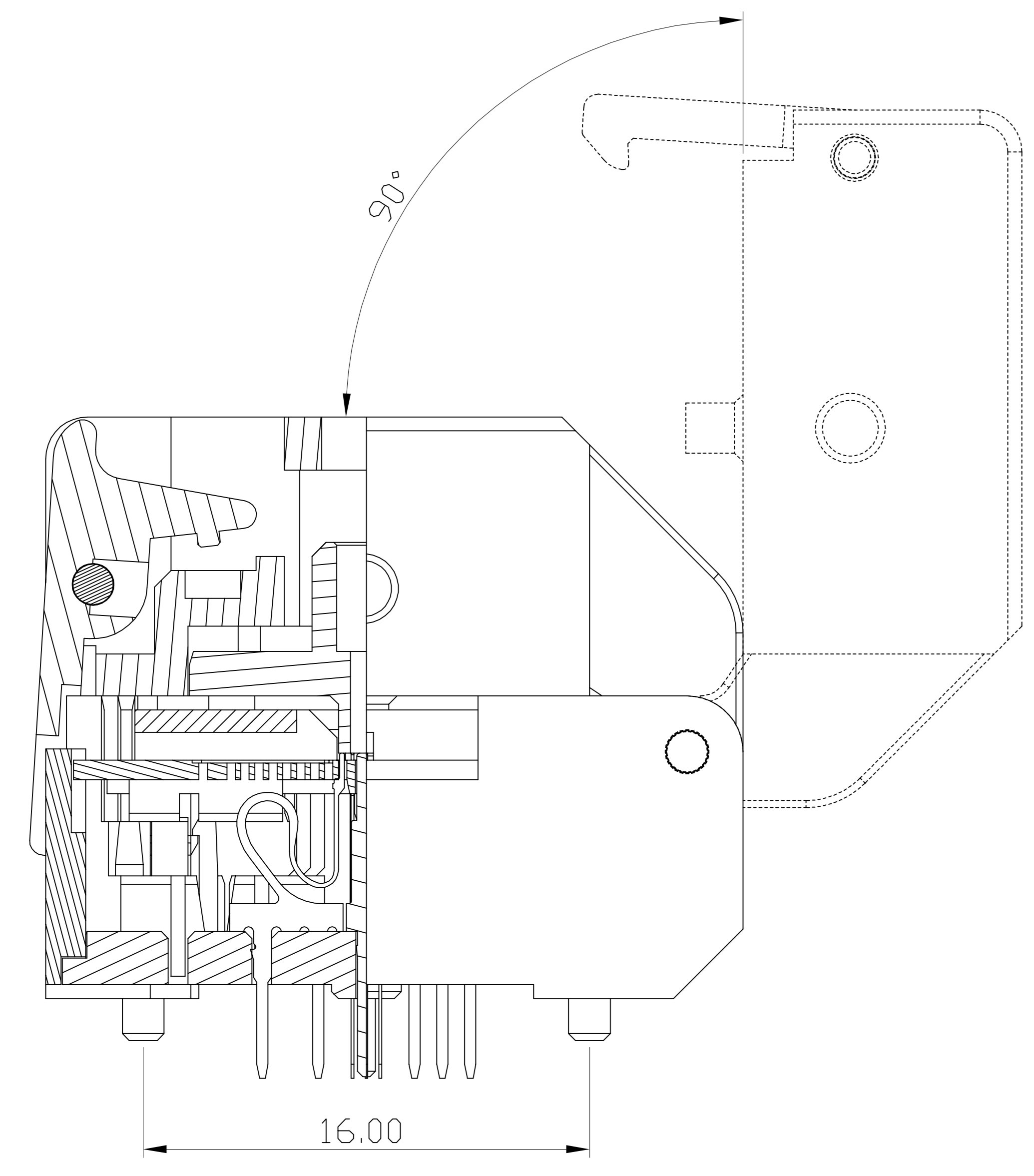
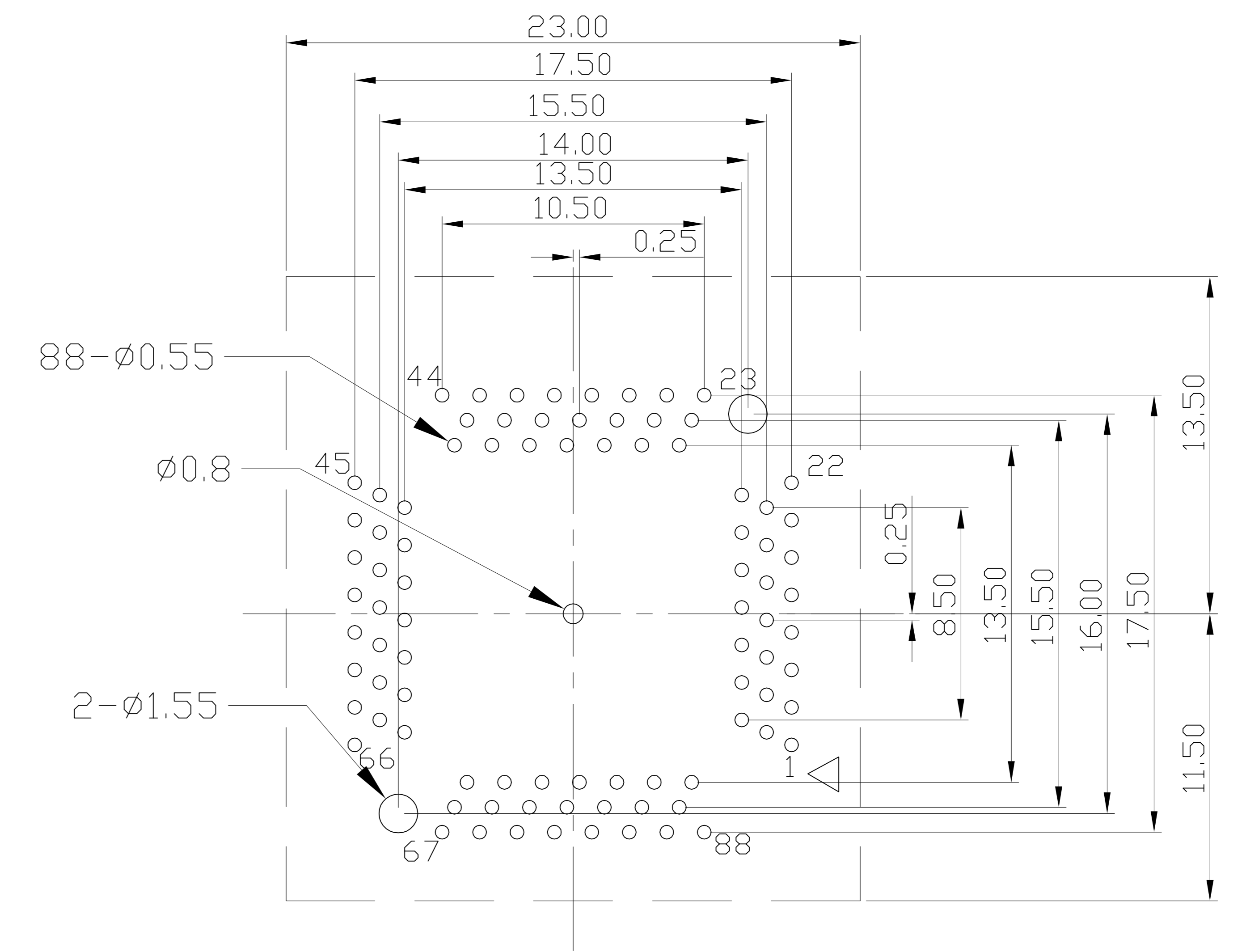
PROJECTION	GENERAL TOLERANCES	±0.10	TITLE	QFN88-0.5 SOCKET
	REV	A	CLASS	7L-24088B-201
DIMENSION:	mm	SCALE:	1:1	DRW. NO 7L-PWQFN-0.5-88-B-01
APP:		DATE:		
CHECK:		DATE:		
DECK:		DATE:	20120822	



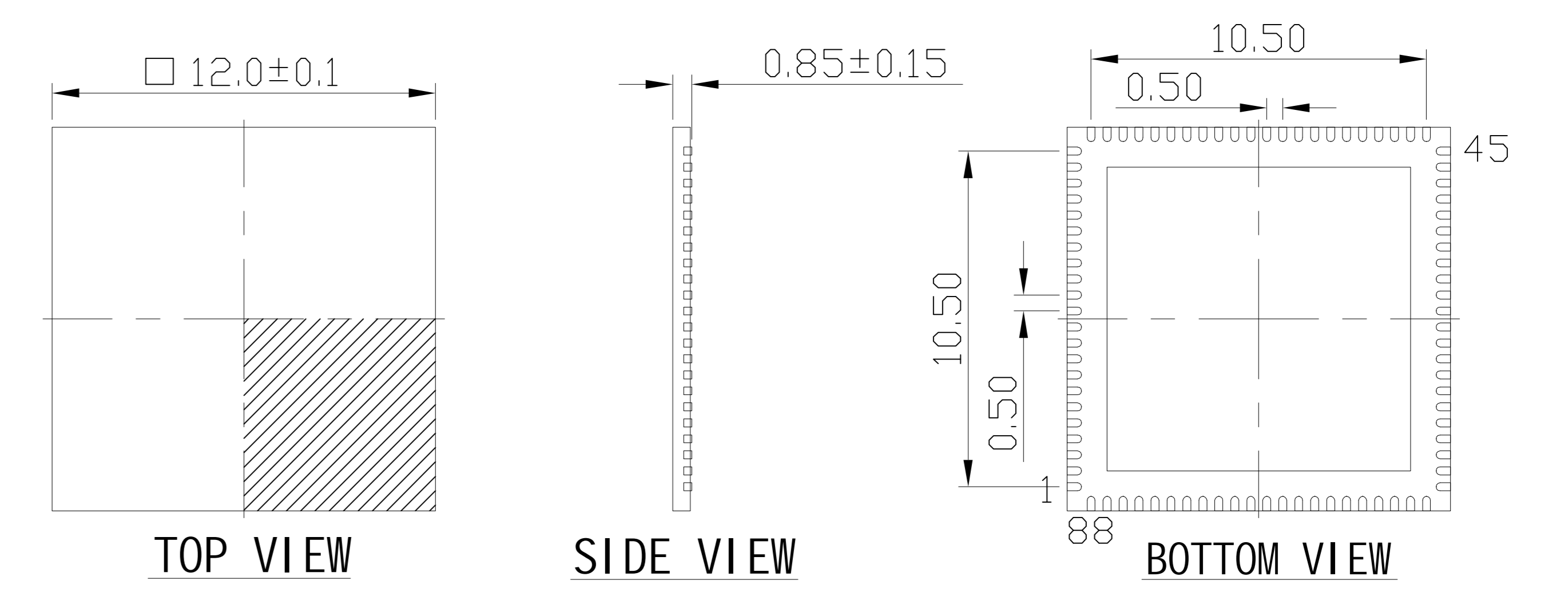
REVISION	DESCRIPTION	CHECK	APP	DATE	REV. NOTICE. NO
△ 1					
△ 2					
△ 3					



PCB Pattern(TOP View)



Applicable IC

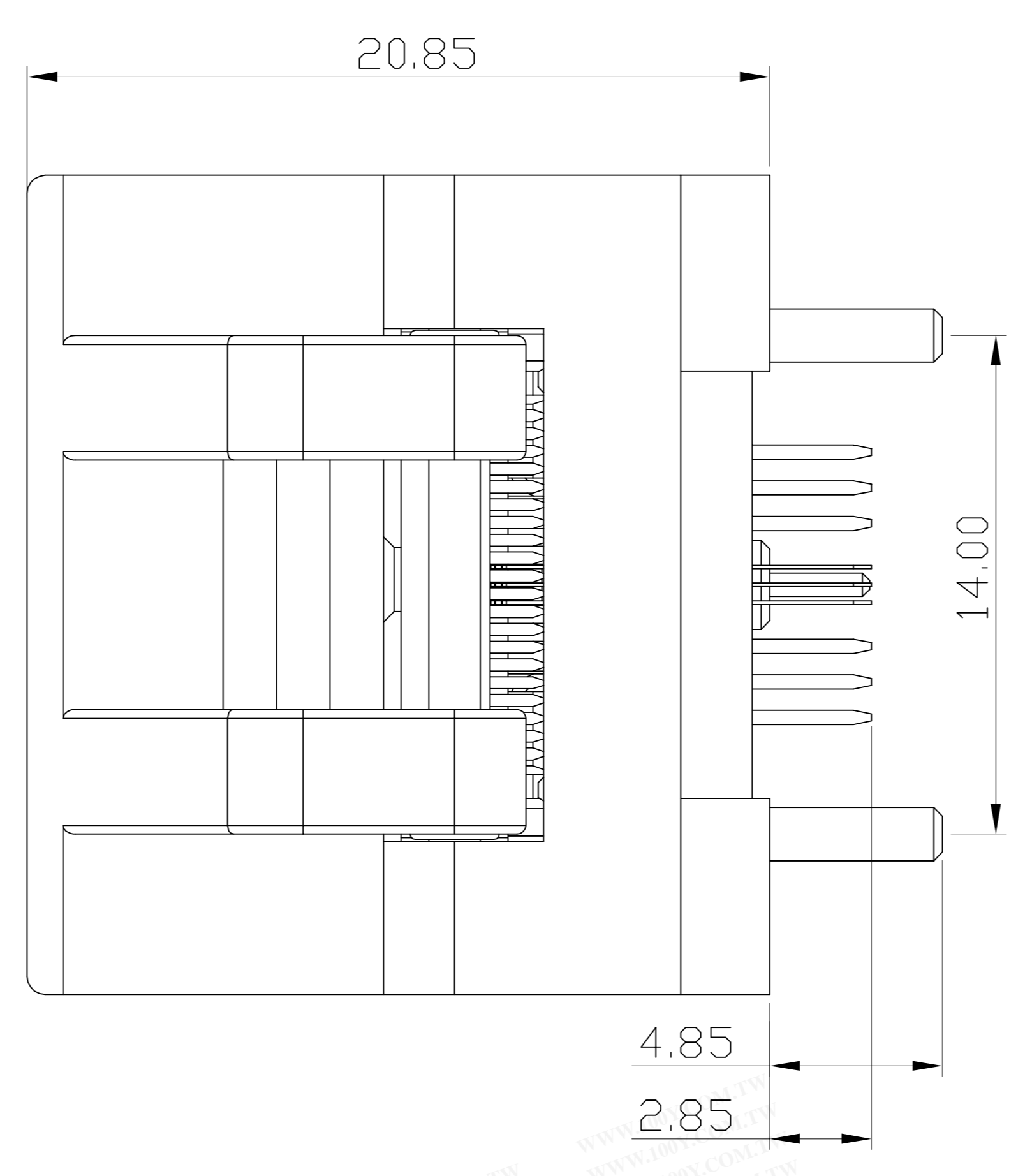
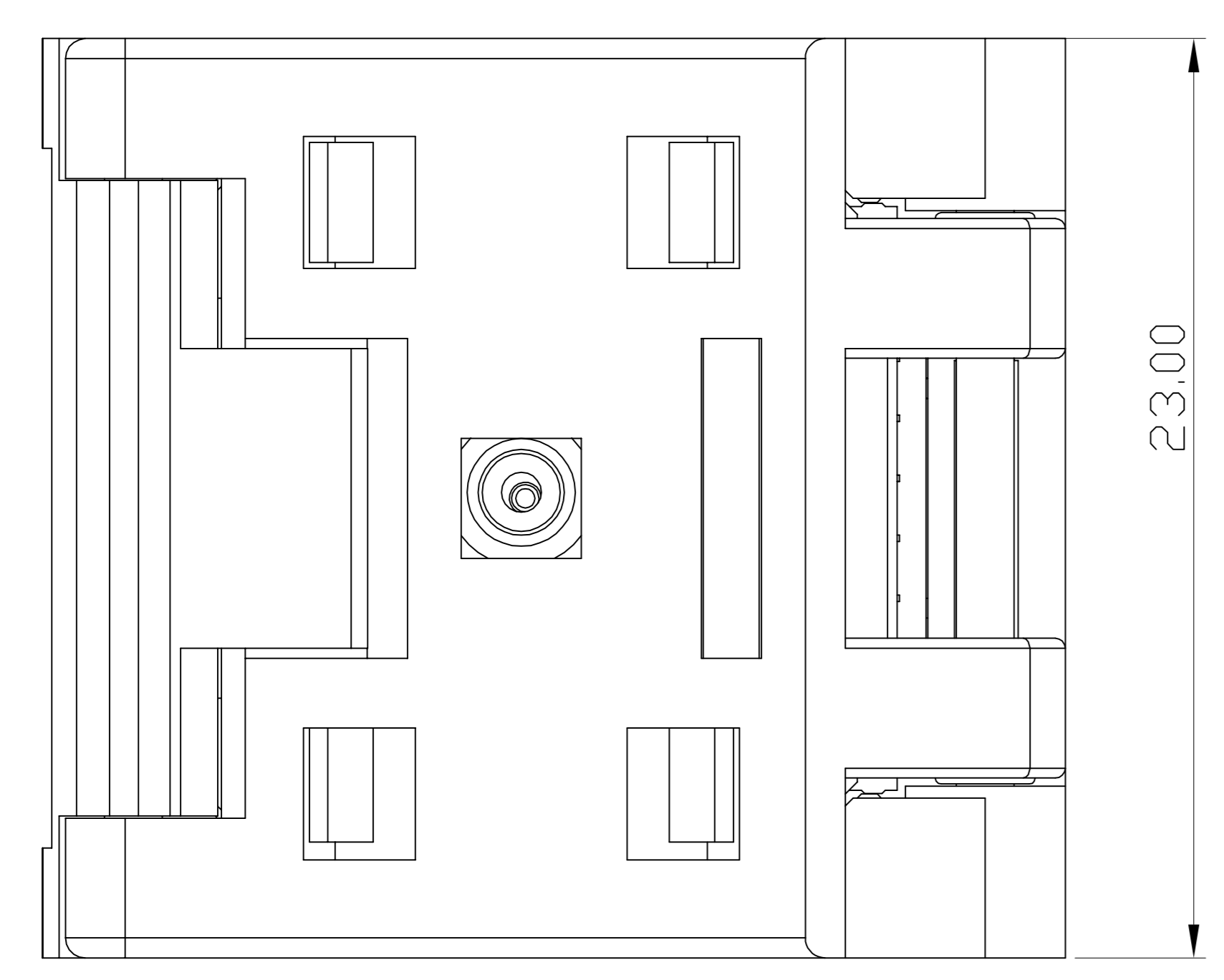


PERFORMANCE

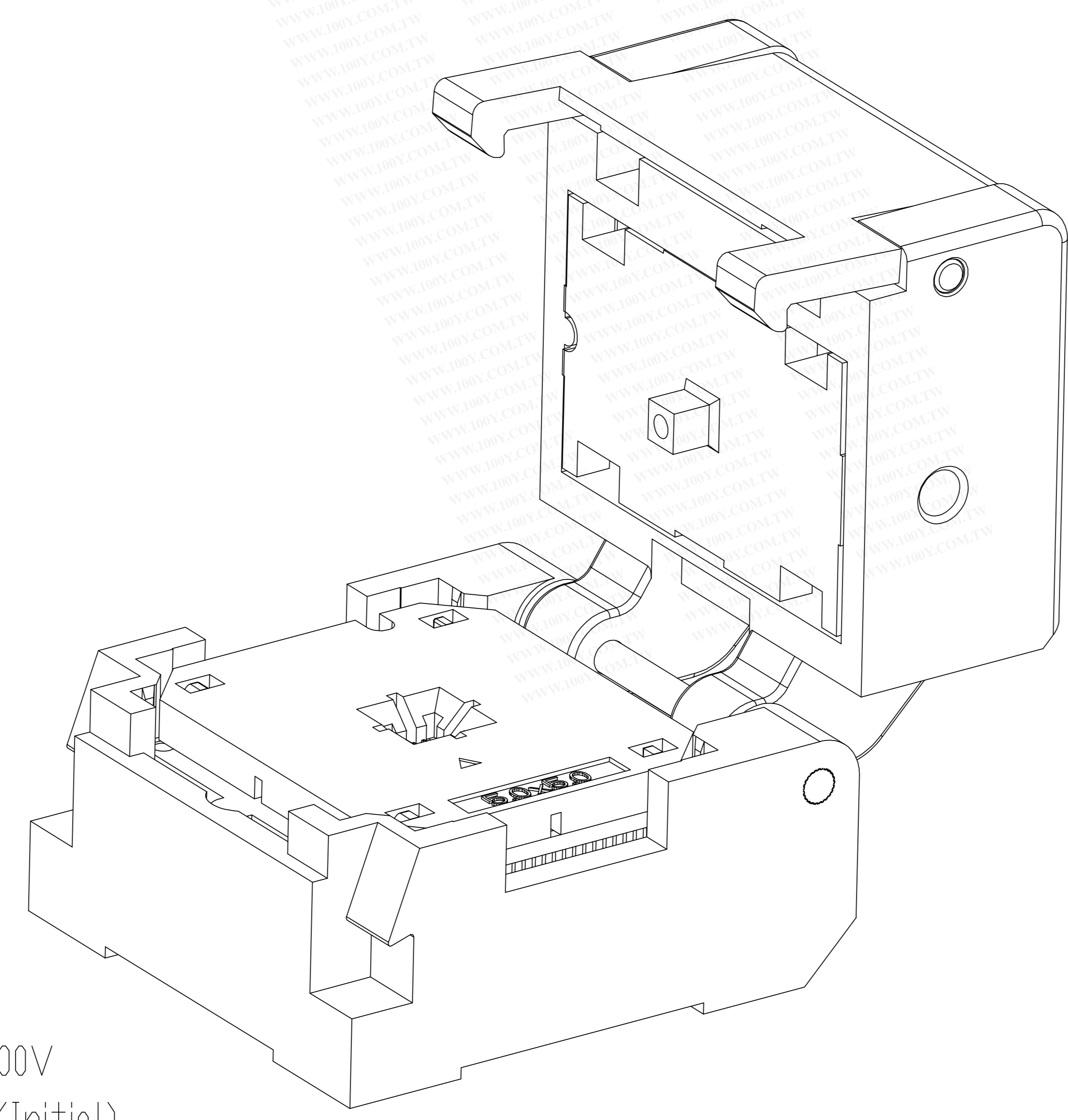
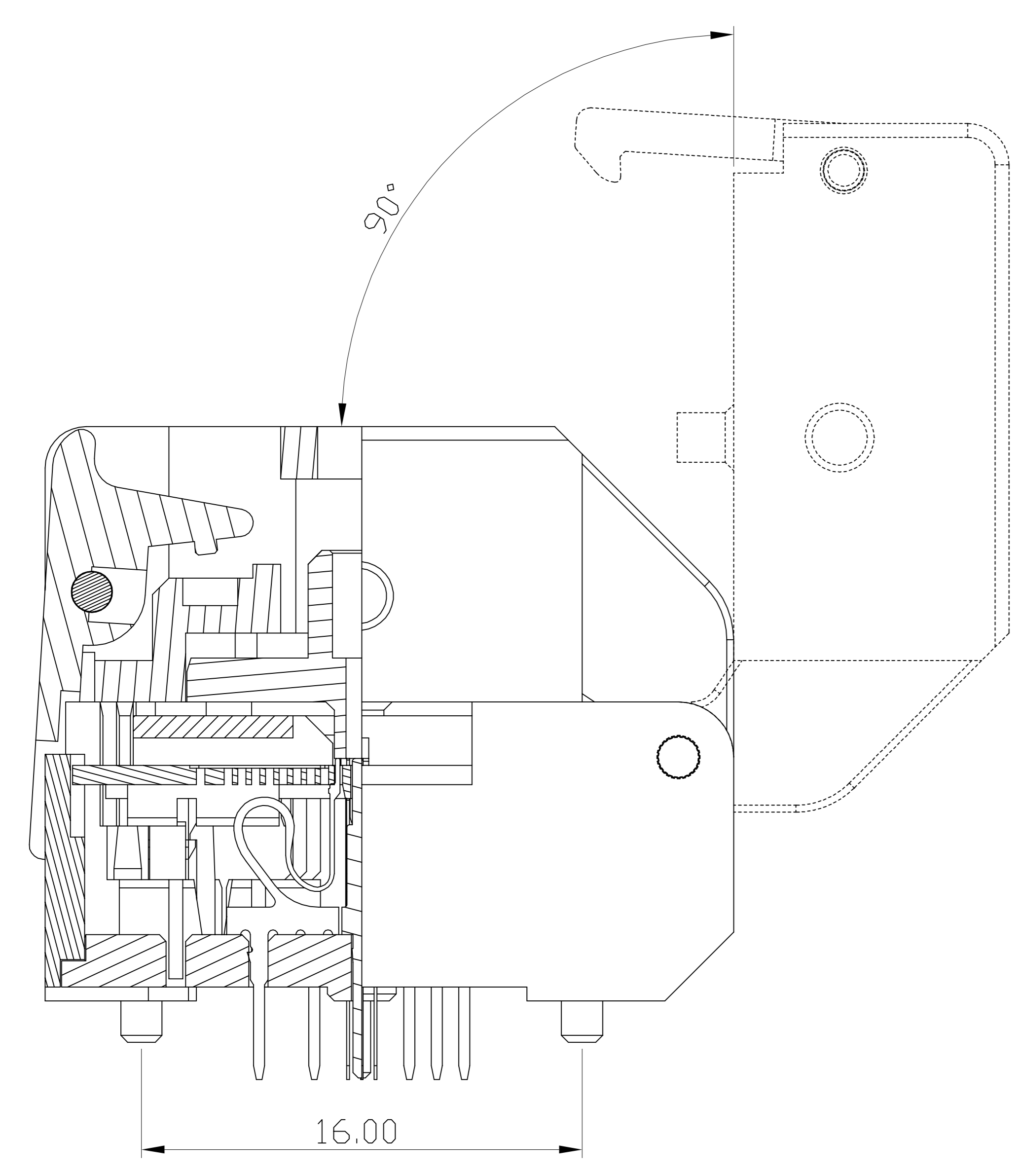
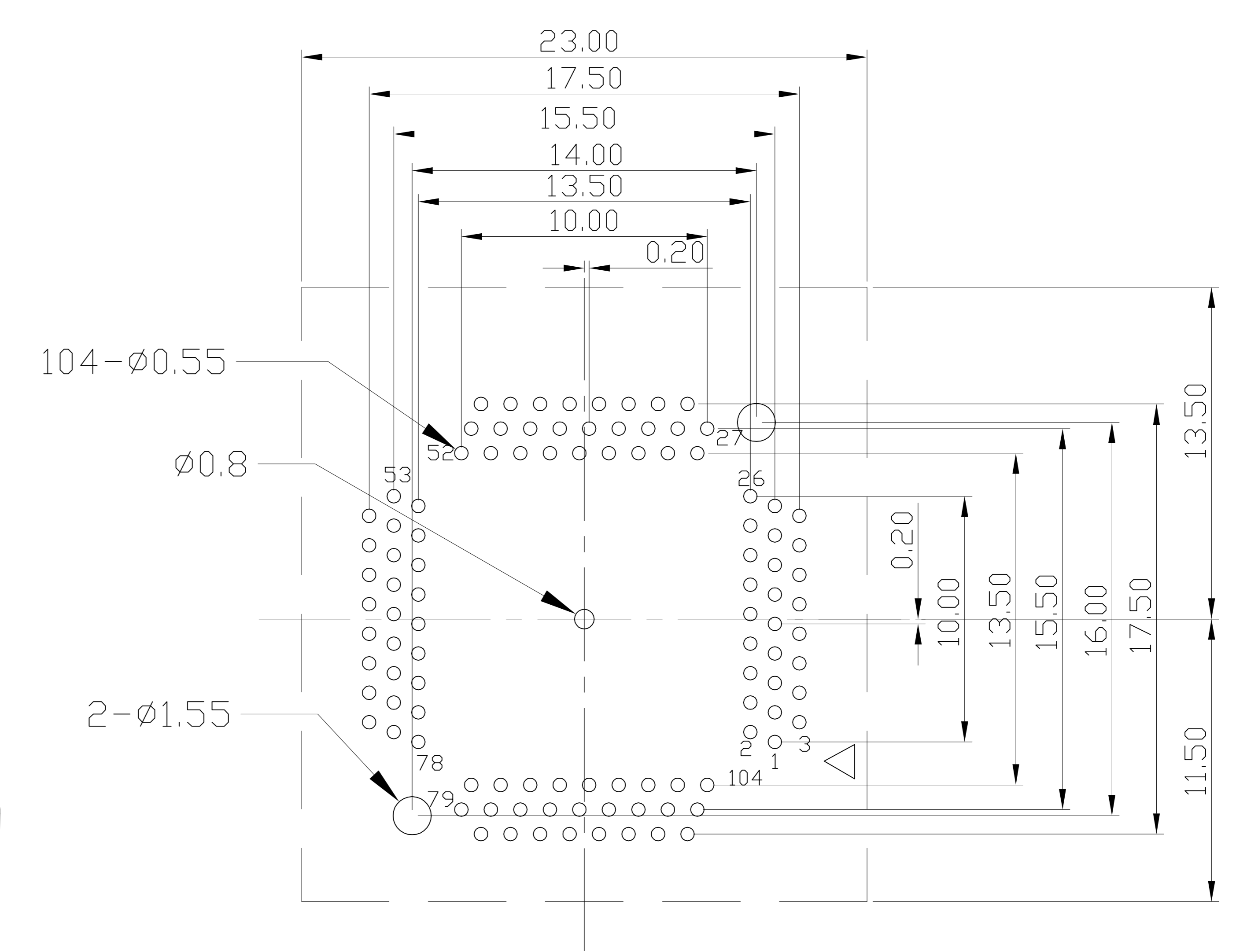
- 1、Insulation Resistance: 1000MΩ Min.At DC 500V
- 2、Dielectric Withstanding Voltage For 1 Minute At AC 700V
- 3、Contact Resistance 30mΩ MAX. at 10mA and 20mV MAX.(Initial)
- 4、Current Rating: 1A max.
- 5、Operation Temperature -40°C ~+155°C
- 6、Life Span 15,000 Times (Mechanical)
- 7、Operation Force 2.0 Kg MAX

TOLERANCE	PROJECTION	GENERAL TOLERANCES	±0.10	TITLE	QFN88-0.5 SOCKET
X.	± 0.50	DIMENSION: mm	SCALE: 1:1	CLASS	QFN88-0.5-CP01GT
X.X	± 0.25	APP:	DATE:	DRW. NO	6U-PWQFN-0.5-88-12X12-01
X.XX	± 0.10	CHECK:	DATE:		
X.XXX	± 0.05	DEGK: ENG03	DATE: 20150606		

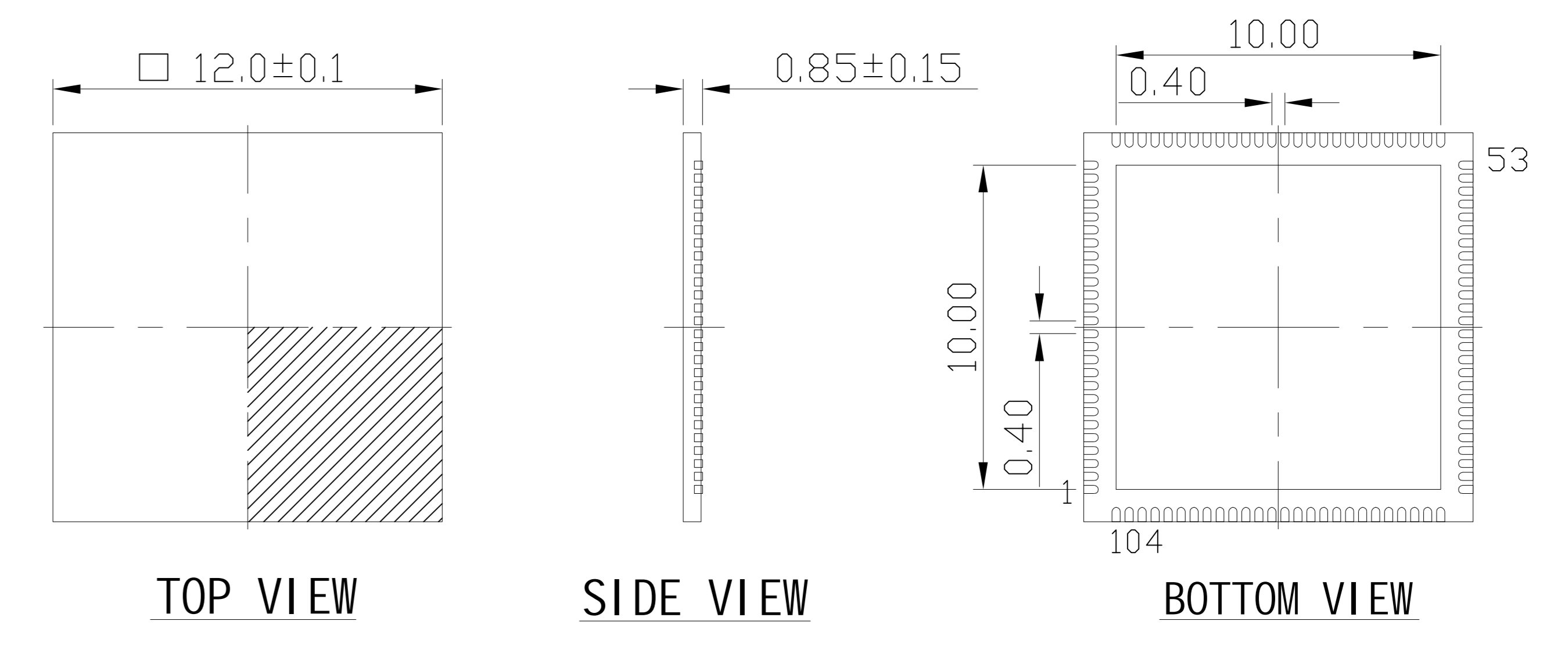
REVISION	DESCRIPTION	CHECK	APP	DATE	REV. NOTICE. NO
△ 1					
△ 2					
△ 3					



PCB Pattern(TOP View)



Applicable IC

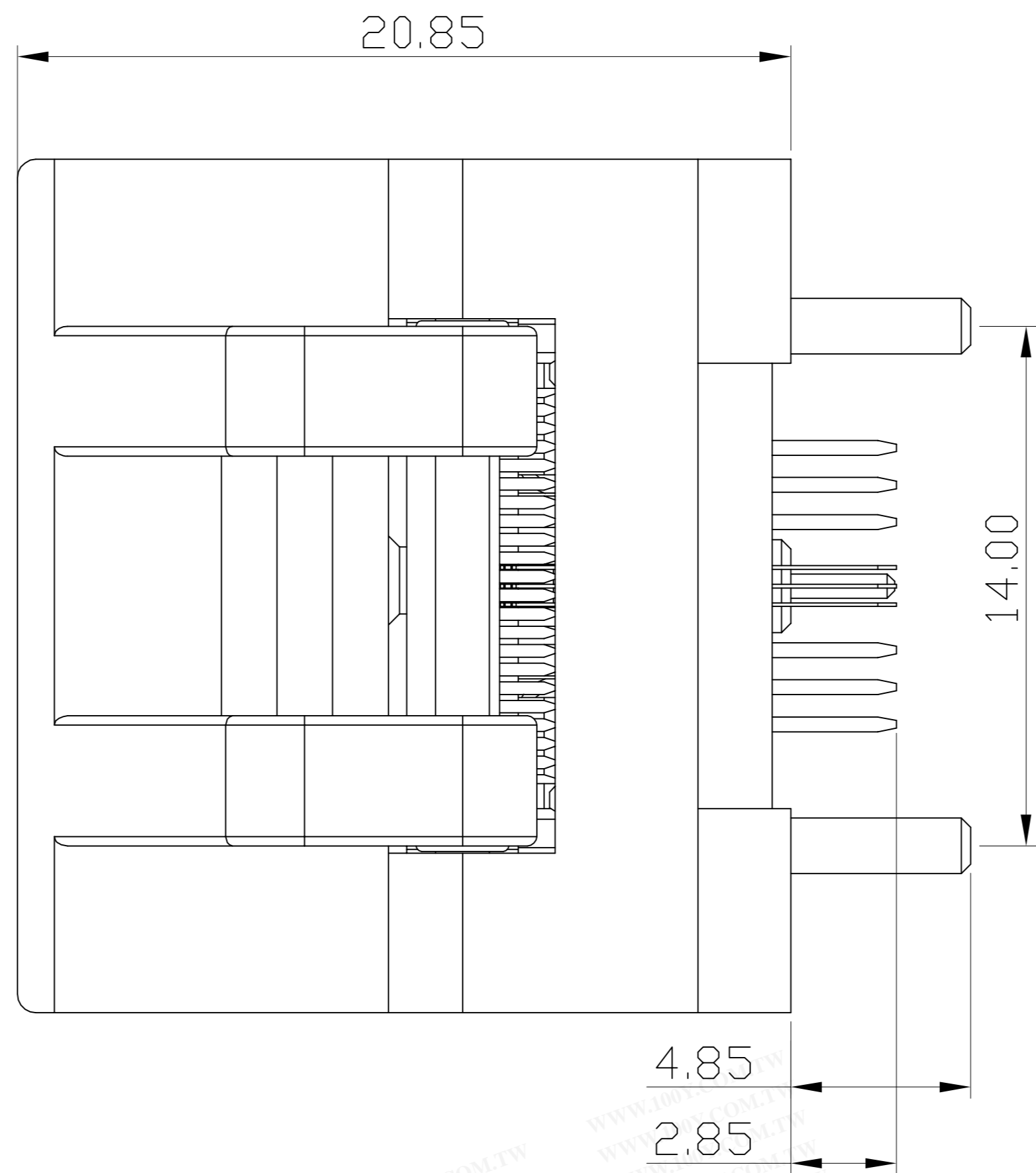
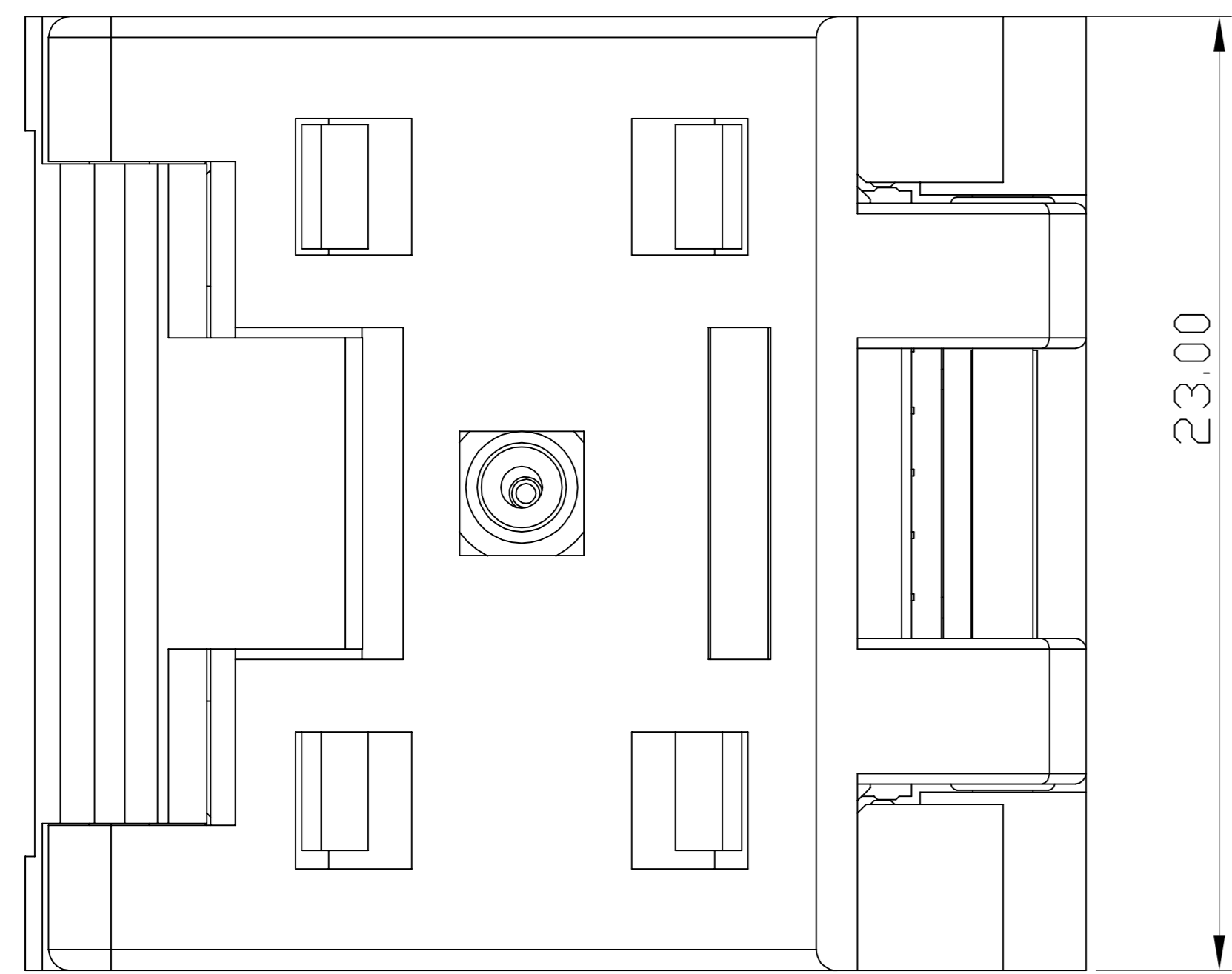


PERFORMANCE

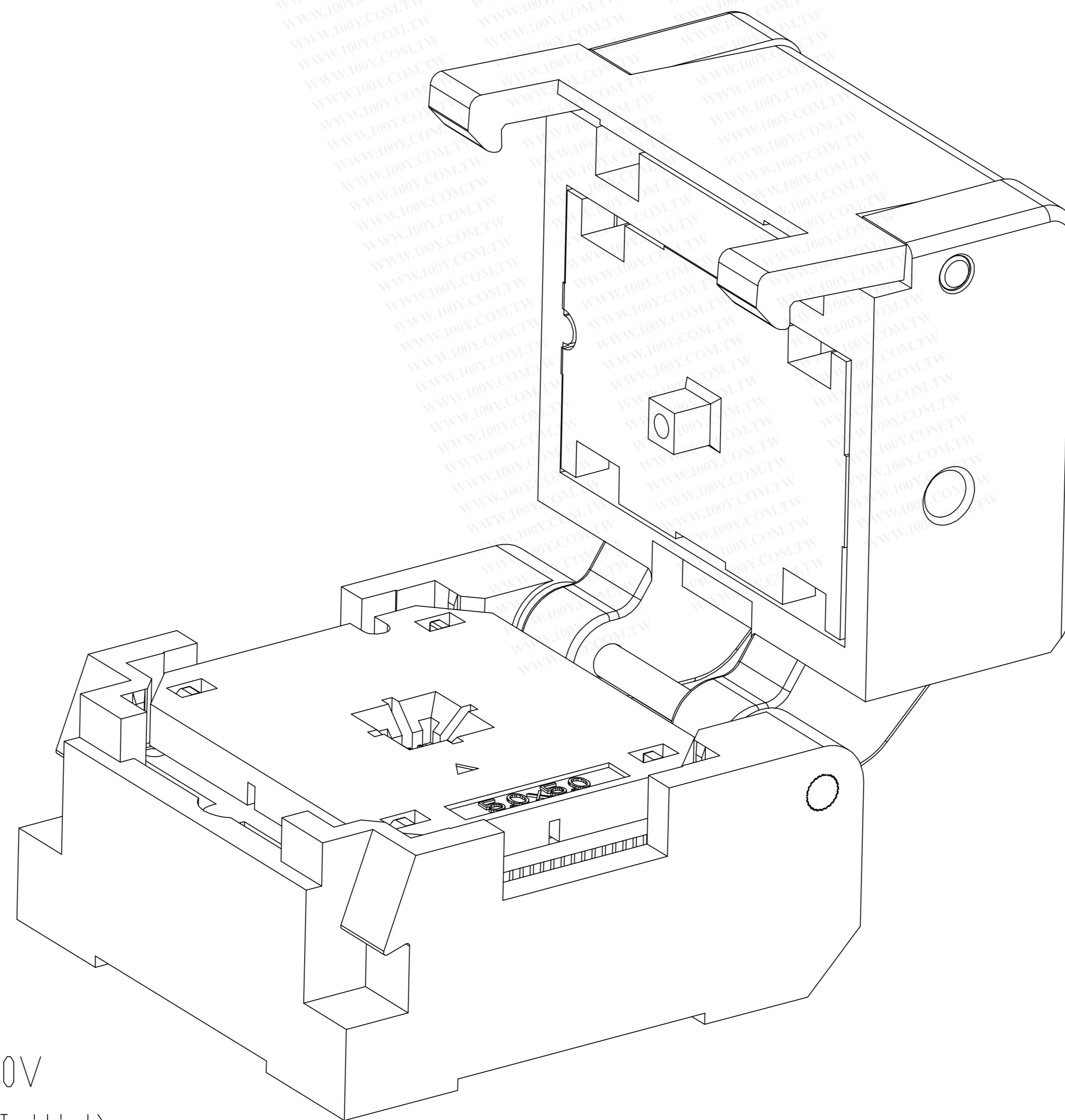
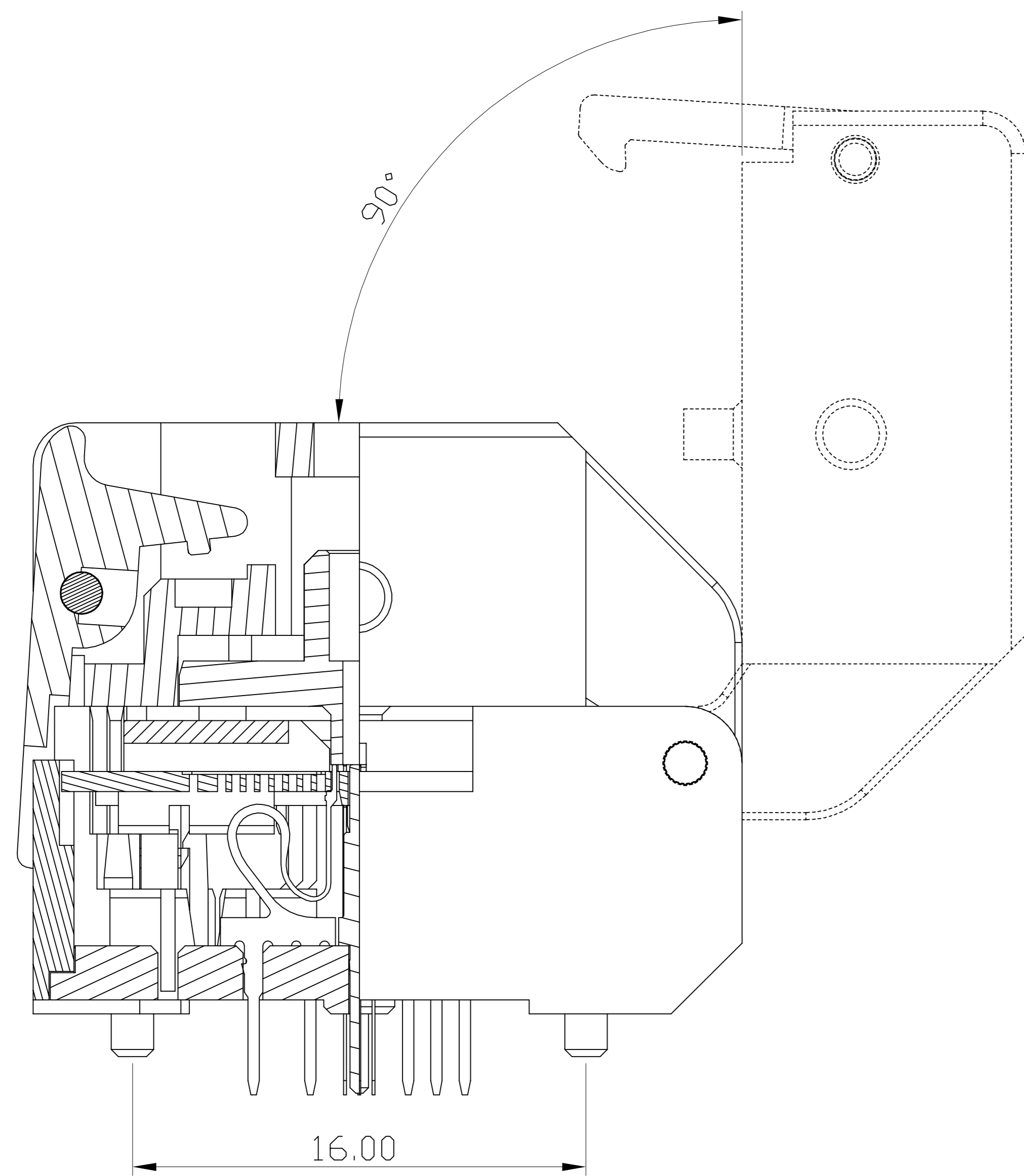
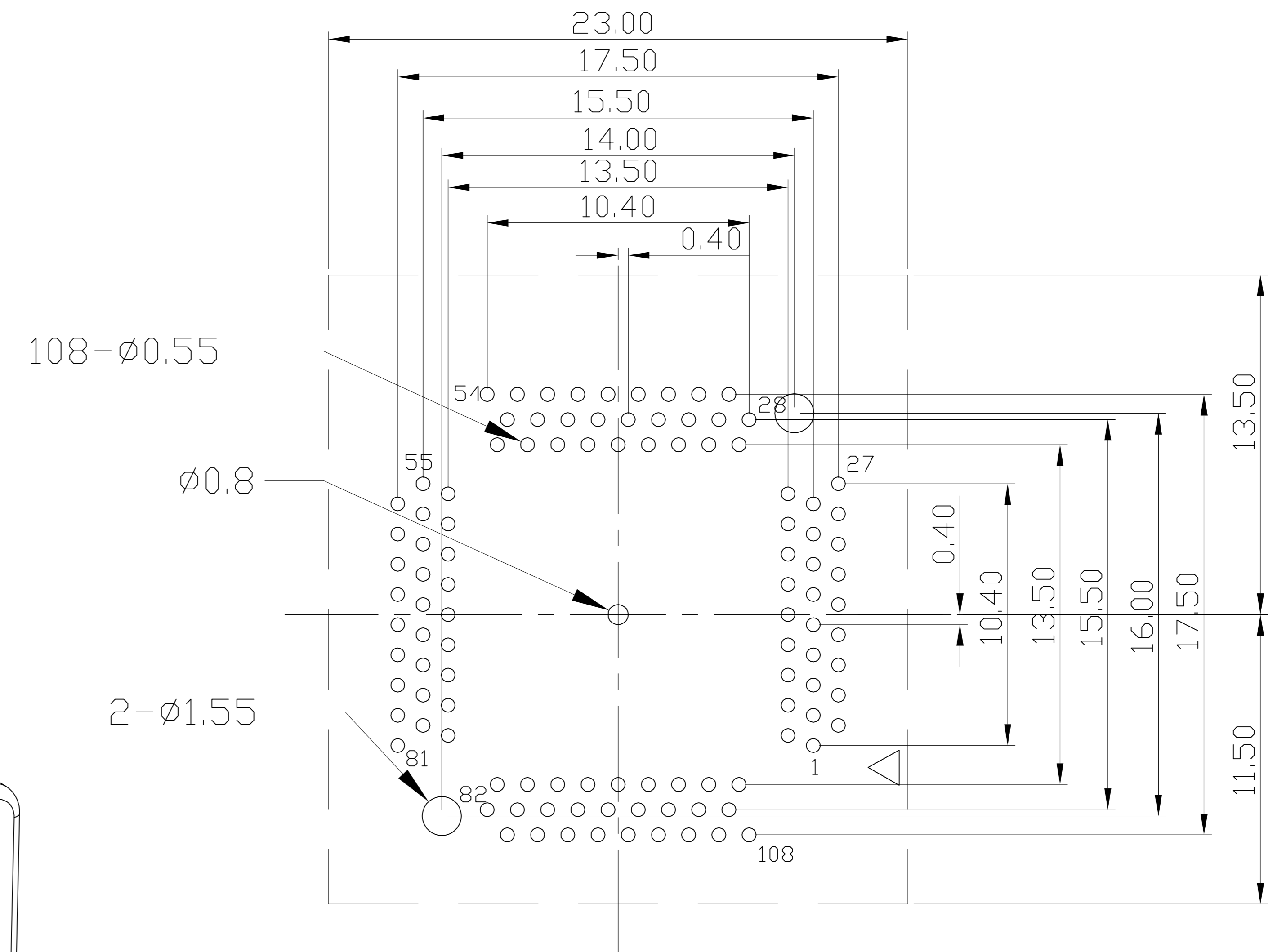
- 1、Insulation Resistance: 1000M $\Omega$  Min.At DC 500V
- 2、Dielectric Withstanding Voltage For 1 Minute At AC 700V
- 3、Contact Resistance 30m $\Omega$  MAX. at 10mA and 20mV MAX.(Initial)
- 4、Current Rating: 1A max.
- 5、Operation Temperature -55°C ~+175°C
- 6、Life Span 15,000 Times (Mechanical)
- 7、Operation Force 2.0 Kg MAX

TOLERANCE	PROJECTION	GENERAL TOLERANCES	±0.10	TITLE	QFN104-0.4 SOCKET
X.	± 0.50	DIMENSION: mm	SCALE: 1:1	CLASS	<b>QFN104-0.4-CPO1GT</b>
X.X	± 0.25	APP:	DATE:	DRW. NO	6U-PWQFN-0.4-104-12X12-01
X.XX	± 0.10	CHECK:	DATE:		
X.XXX	± 0.05	DEGK: ENG03	DATE: 20150606		

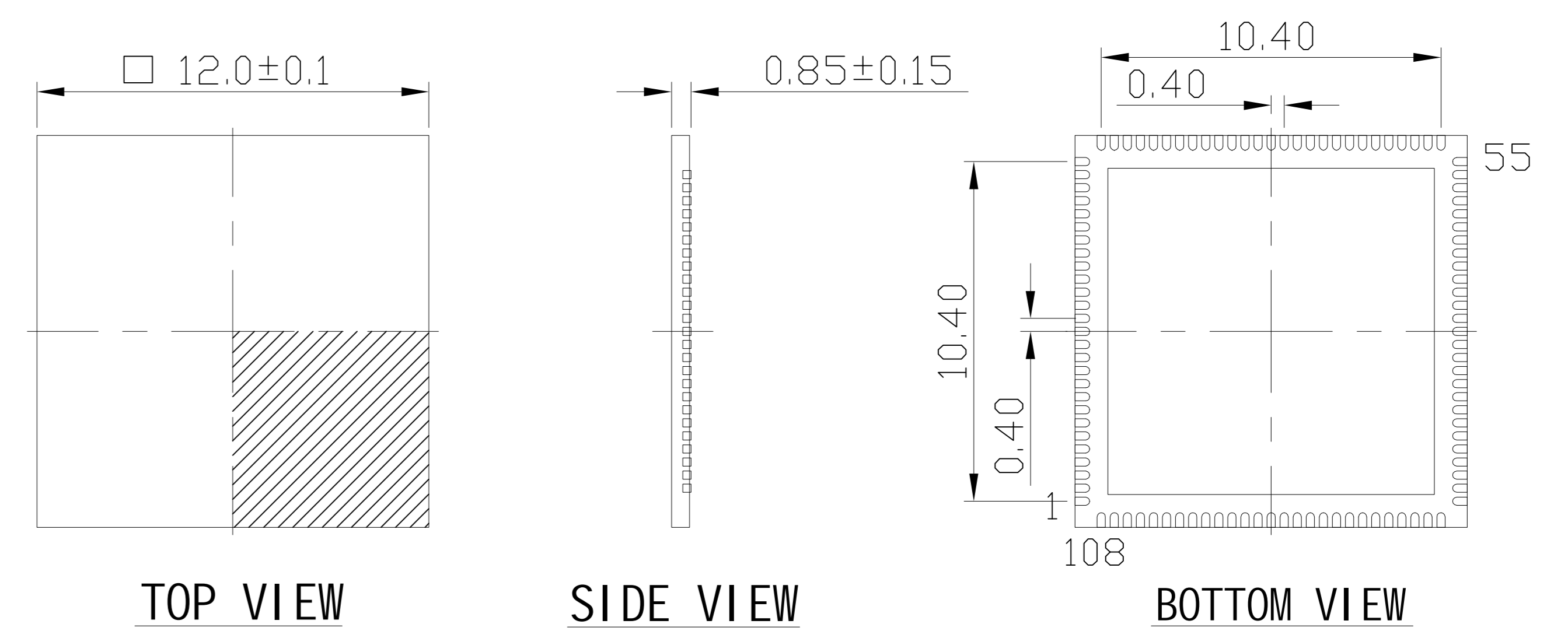
REVISION	DESCRIPTION	CHECK	APP	DATE	REV. NOTICE. NO
△ 1					
△ 2					
△ 3					



PCB Pattern(TOP View)



Applicable IC

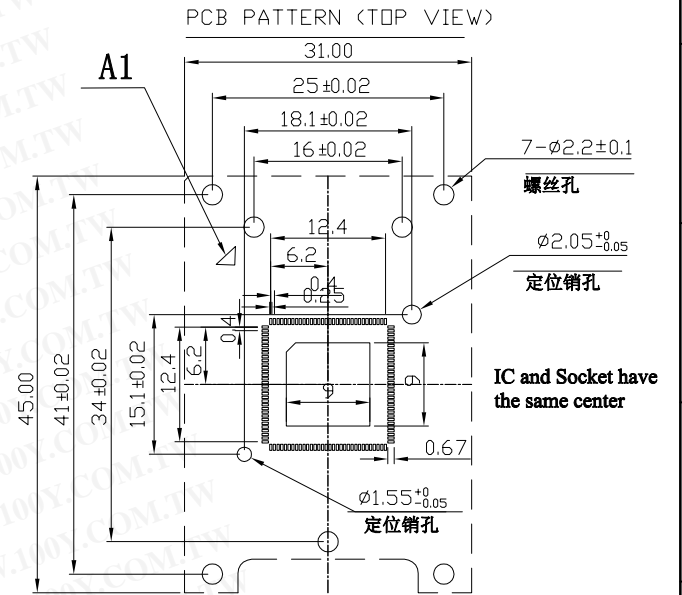
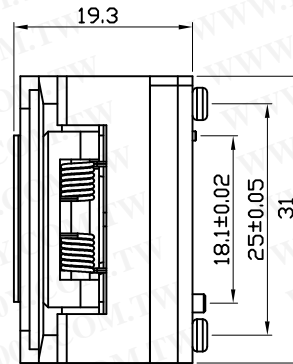
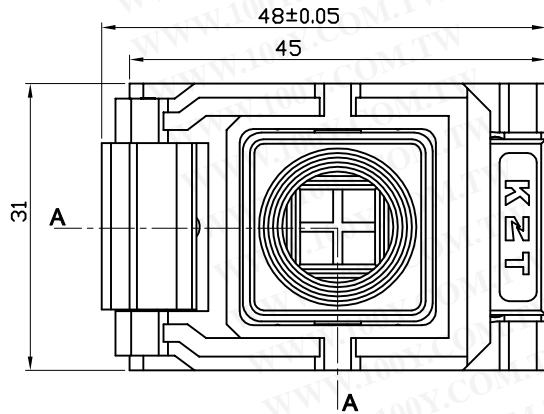


PERFORMANCE

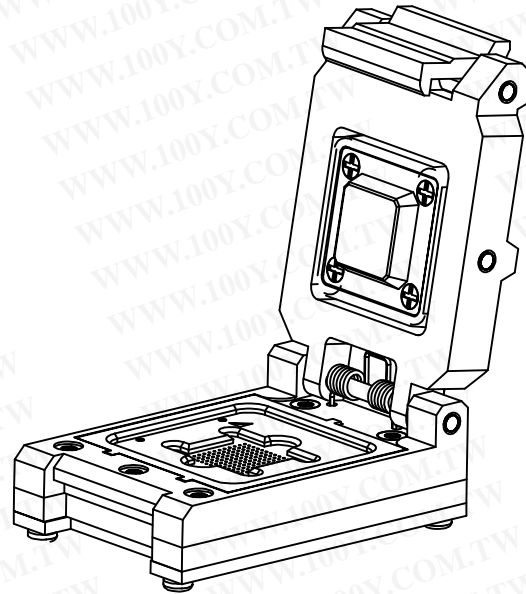
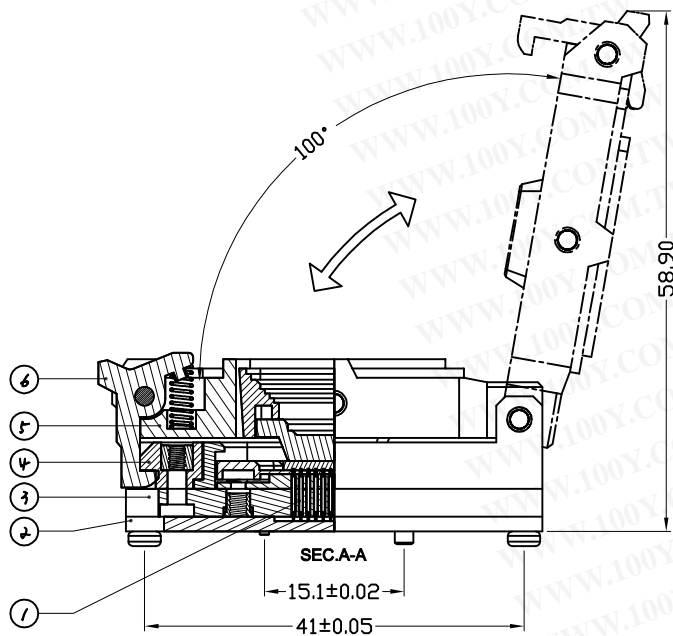
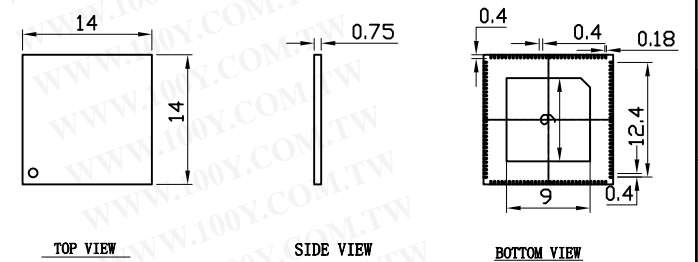
- 1、Insulation Resistance: 1000MΩ Min.At DC 500V
- 2、Dielectric Withstanding Voltage For 1 Minute At AC 700V
- 3、Contact Resistance 30mΩ MAX. at 10mA and 20mV MAX.(Initial)
- 4、Current Rating: 1A max.
- 5、Operation Temperature -55°C ~+175°C
- 6、Life Span 15,000 Times (Mechanical)
- 7、Operation Force 2.0 Kg MAX

TOLERANCE	PROJECTION	GENERAL TOLERANCES	±0.10	TITLE	QFN108-0.4 SOCKET
X. ± 0.50	DIMENSION:	mm	SCALE: 1:1	CLASS	QFN108-0.4-CP01GT
X. X ± 0.25	APP:		DATE:	DRW. NO	6U-PWQFN-0.4-108-12X12-01
X. XX ± 0.10	CHECK:		DATE:		
X. XXX ± 0.05	DEGK: ENG03		DATE: 20150606		


REVISION	DESCRIPTION	CHECK	APP	DATE	REV. NOTICE. NO
1					
2					
3					



APPL ICABLE IC 1:1



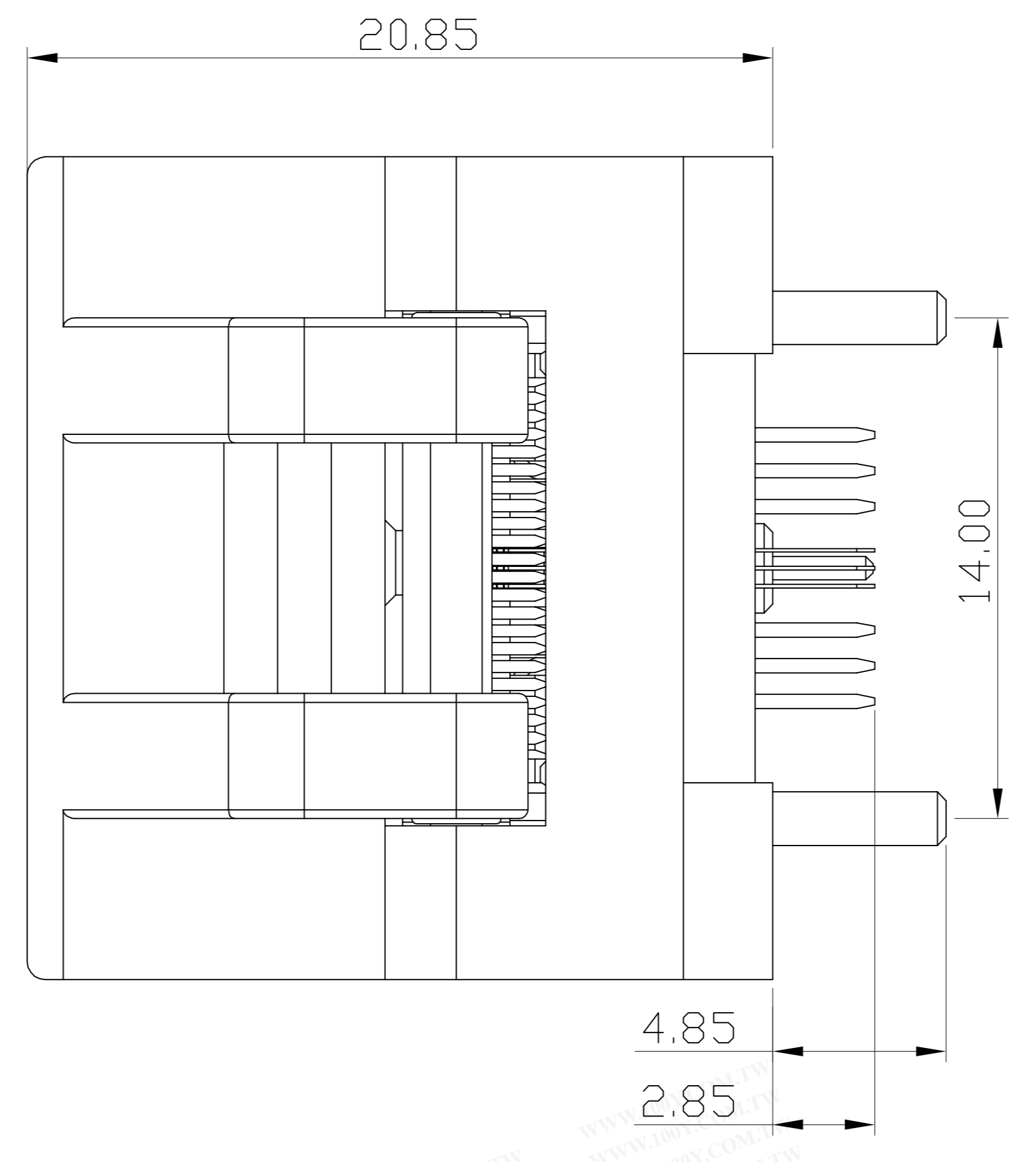
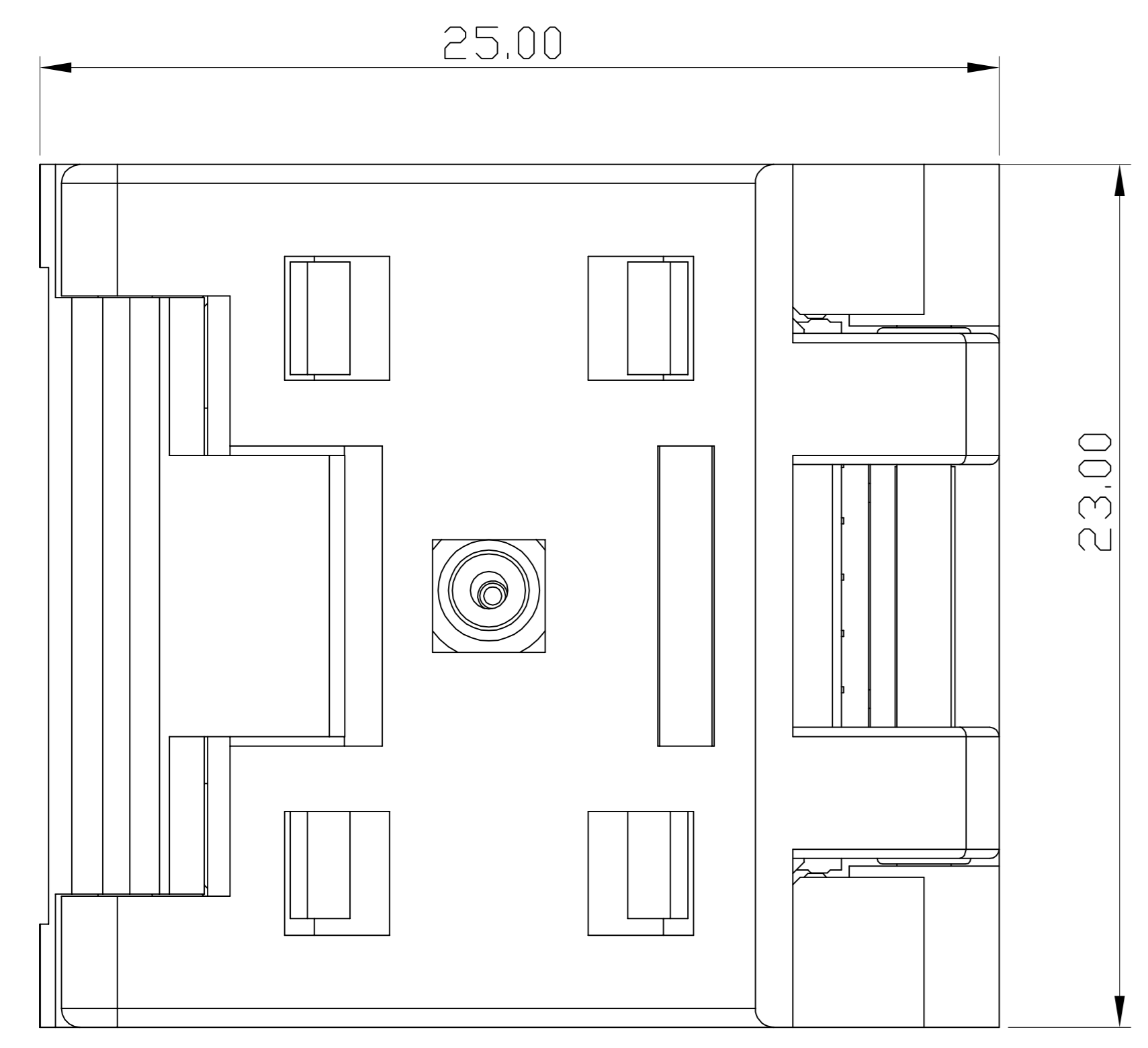
No	Part Number	Name	Material	Q/ty	Note
8	02-B-0505	LENS	PES	1	BLACK
7	10-B-4524	SHAFT	C2700V-1/2H	1	BLACK
6	P0001-04	LATCH	Nylon	1	BLACK
5	P0001-02	OUTER LID	Nylon	1	BLACK
4	P0001-01	BASE	Nylon	1	BLACK
3	101209-02	TOP PLATE	FR4	1	--
2	101209-01	BOTTOM PLATE	FR4	1	--
1	05-A-2011	POGO PIN	BeCu	128	AU PLATING

PROJECTION	GENERAL TOLERANCES	±0.10	TITLE	QFN128-0.4 CLAMHELL SOCKET
	REV	A	CLASS	CLAMHELL SOCKET
DIMENSION:	mm	SCALE:	DRW. NO	QFN128-0.4-CP01PGL
APP:		DATE:	 KaiZhiTong Micro Electronic L., ltd <a href="http://www.icsocket.net">http://www.icsocket.net</a> www.kzt.cc	
CHECK:	0801844	DATE:		
DEGK:	ENG03-ZX	DATE:		

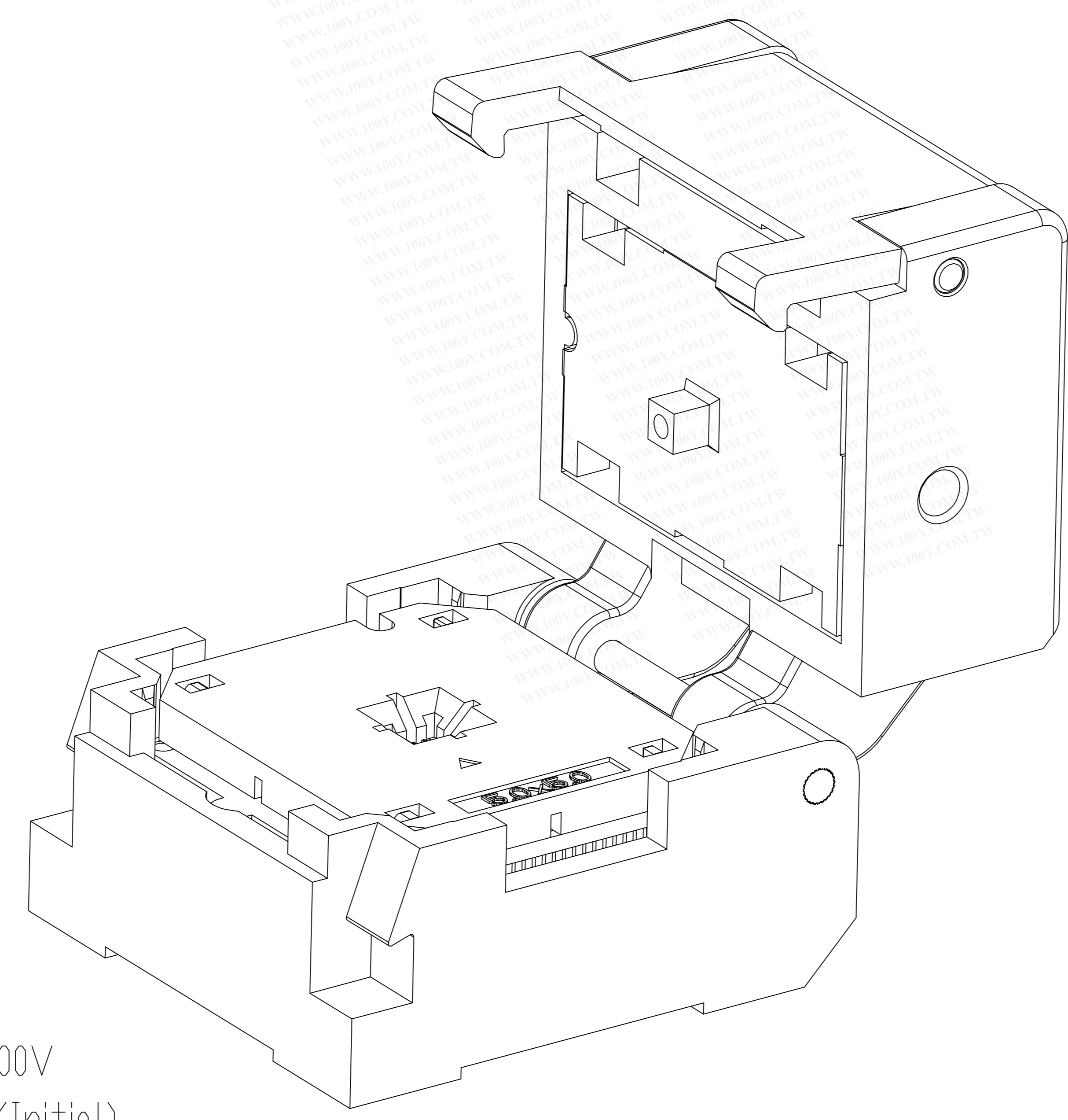
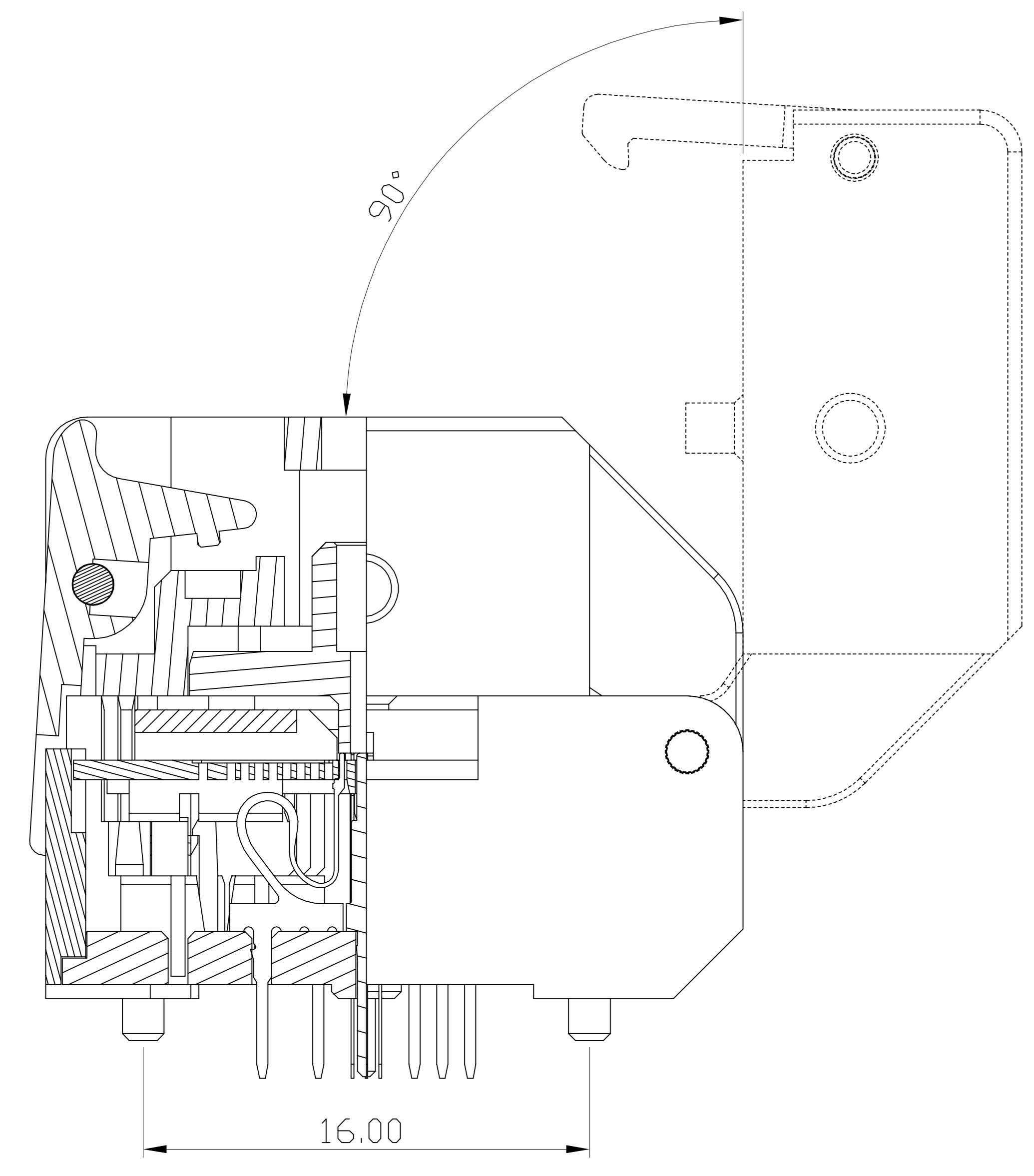
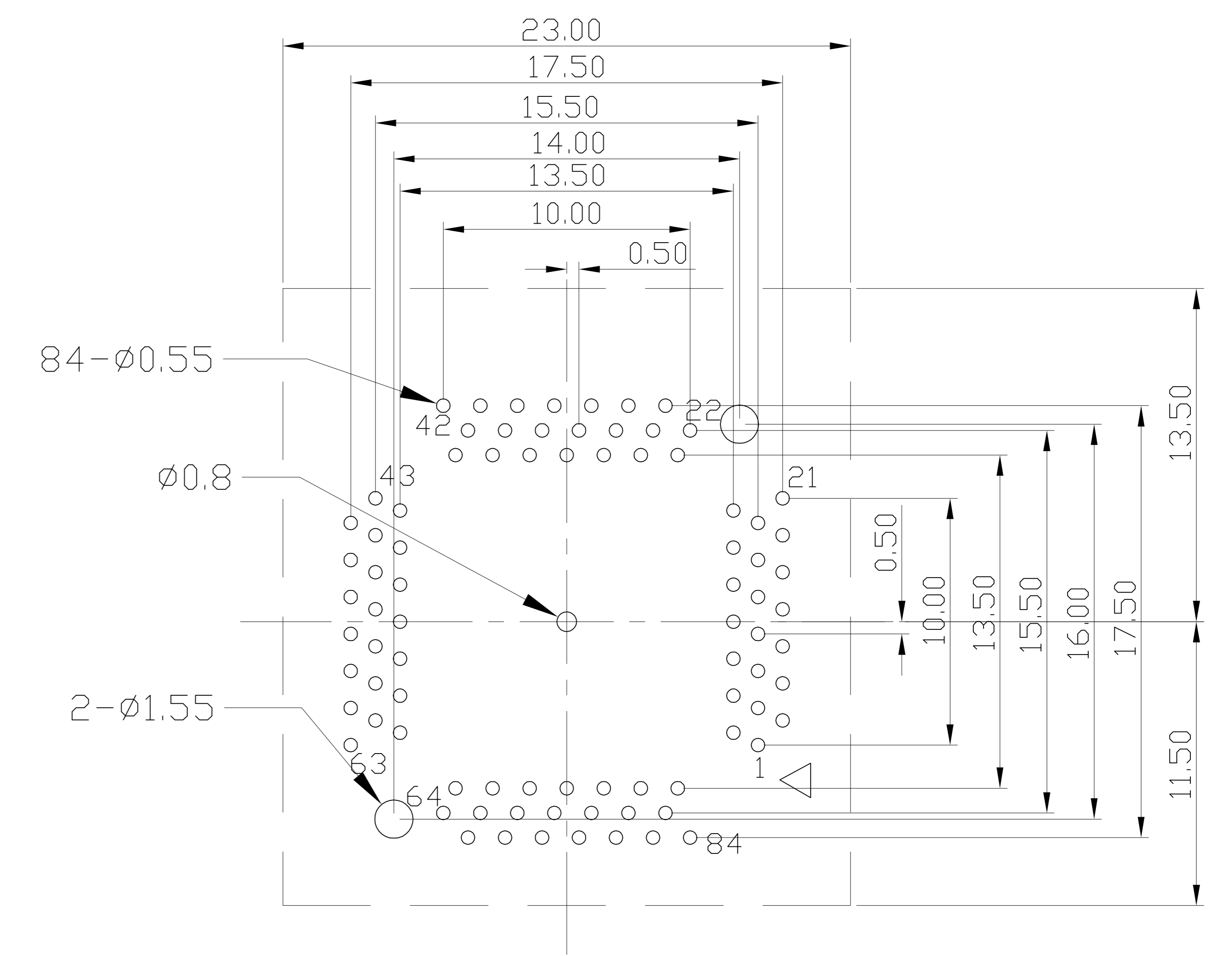
由 Autodesk 教育版产品制作

由 Autodesk 教育版产品制作

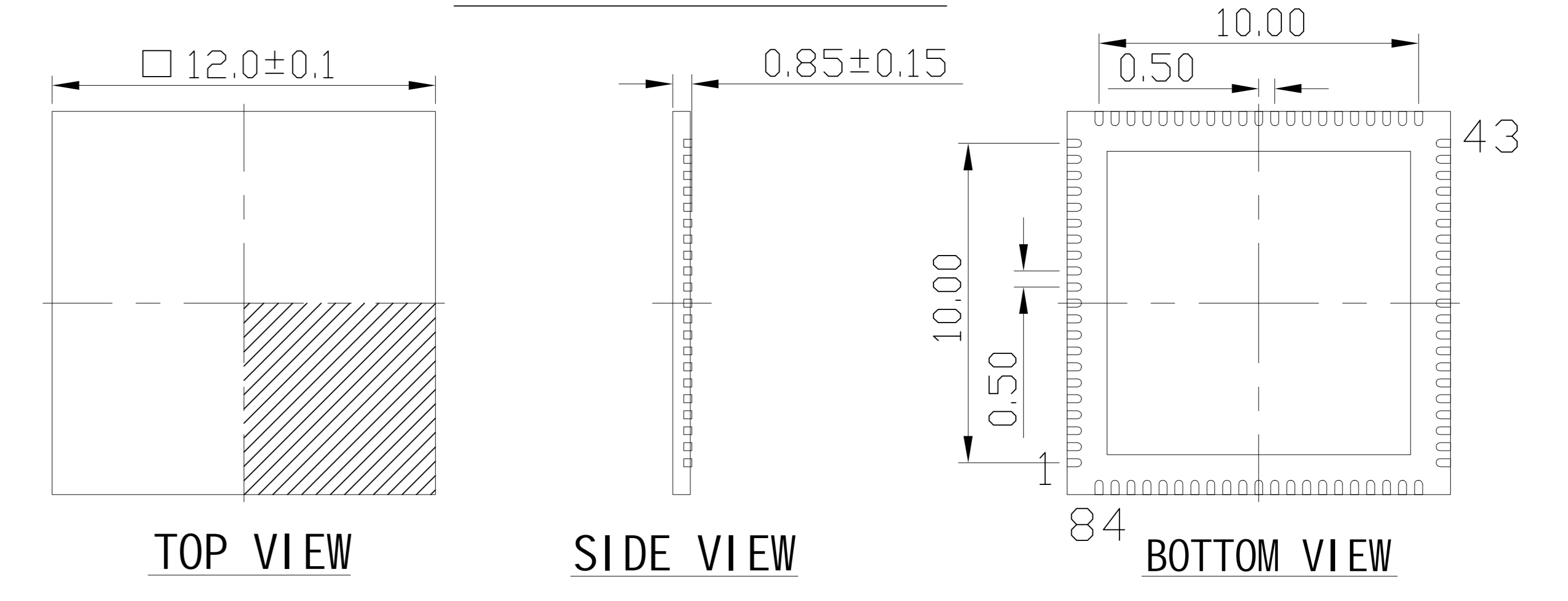
REVISION	DESCRIPTION	CHECK	APP	DATE	REV. NOTICE. NO
△ 1					
△ 2					
△ 3					



PCB Pattern(TOP View)



Applicable IC



PERFORMANCE

1. Insulation Resistance: 1000M $\Omega$  Min.At DC 500V
2. Dielectric Withstanding Voltage For 1 Minute At AC 700V
3. Contact Resistance 30m $\Omega$  MAX. at 10mA and 20mV MAX.(Initial)
4. Current Rating: 1A max.
5. Operation Temperature -40°C ~+155°C
6. Life Span 15,000 Times (Mechanical)
7. Operation Force 2.0 Kg MAX

勝特力材料 886-3-5753170  
 勝特力电子(上海) 86-21-34970699  
 勝特力电子(深圳) 86-755-83298787  
[Http://www.100y.com.tw](http://www.100y.com.tw)

TOLERANCE	PROJECTION	GENERAL TOLERANCES	±0.10	TITLE	QFN84-0.5 SOCKET
X.	± 0.50	DIMENSION: mm	SCALE: 1:1	CLASS	QFN184-0.5-CP01GT
X.X	± 0.25	APP:	DATE:	DRW. NO	6U-PWQFN-0.5-84-12X12-01
X.XX	± 0.10	CHECK:	DATE:		
X.XXX	± 0.05	DEGK: ENG03	DATE: 20150606		