

# Laser Diode Sockets



- Compact miniature socket size for maximum board density
- Accommodates most any TO package format with pin circle options of .079" (2.0 mm) or .100" (2.54 mm), including popular laser diode devices
- 3 and 4 lead options available
- Funneled entry holes to assist lead insertion

Date Issued: February 20, 2001

TS-0406-06  
Sheet 1 of 3

## Physical

### Insulation

Material: Glass Filled Polysulfone  
Flammability: UL 94V-0  
Color: Green

### Outer Contact

Material: Copper Alloy

### Inner Contact

Material: Beryllium Copper  
Plating: Outer Sleeve: SnPb Solder  
Inner Contact: 30  $\mu$ m (0.76  $\mu$ m) Gold over 50  $\mu$ m (1.3  $\mu$ m) Nickel

勝特力材料 886-3-5753170  
勝特力电子(上海) 86-21-34970699  
勝特力电子(深圳) 86-755-83298787  
[Http://www.100y.com.tw](http://www.100y.com.tw)

## Electrical

**Current Rating:** 1 Amp  
**Insulation Resistance:**  $> 1 \times 10^{12} \Omega$  at 500 Vdc  
**Withstanding Voltage:** 1000 Vrms at Sea Level

## Environmental

**Operating Temperature Rating:** - 55° C to + 150° C

### 3M Electronic Handling and Protection Division

6801 River Place Blvd.  
Austin, TX 78726-9000

For technical, sales or ordering information call **800-328-0411**  
or visit our website: <http://www.3M.com/ehpd>

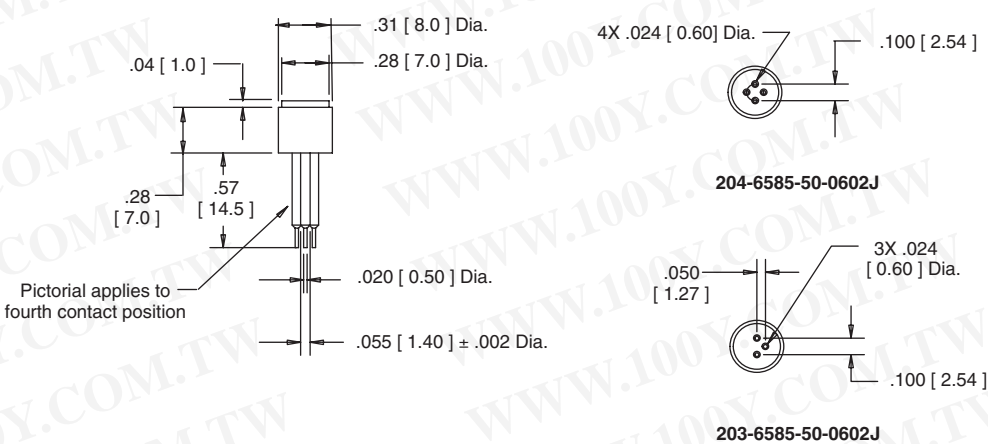
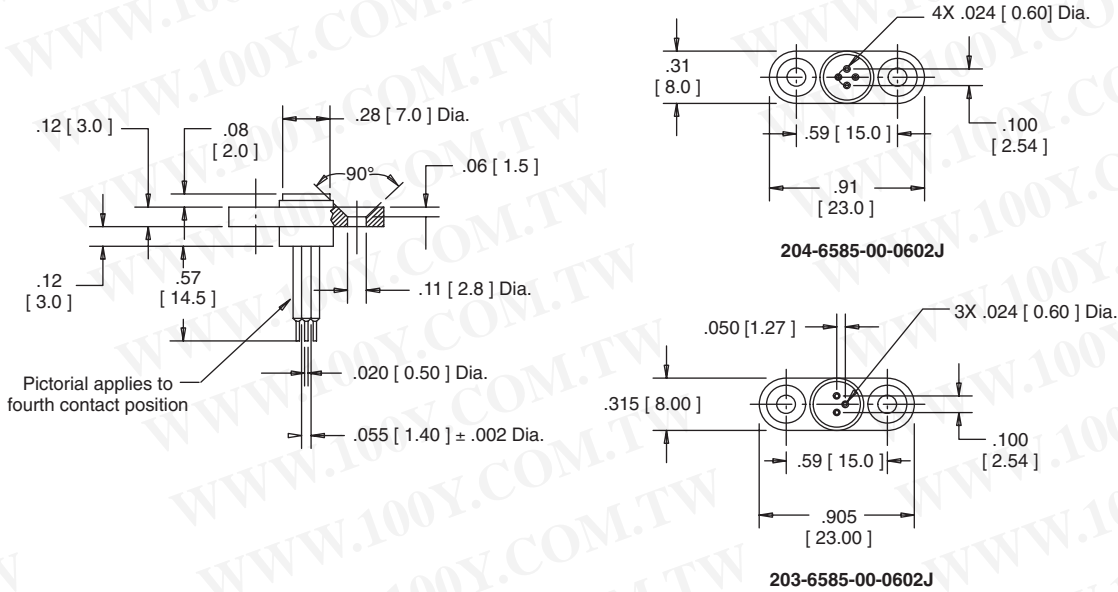
# Laser Diode Sockets

勝特力材料 886-3-5753170

勝特力电子(上海) 86-21-34970699

勝特力电子(深圳) 86-755-83298787

Http://www.100y.com.tw



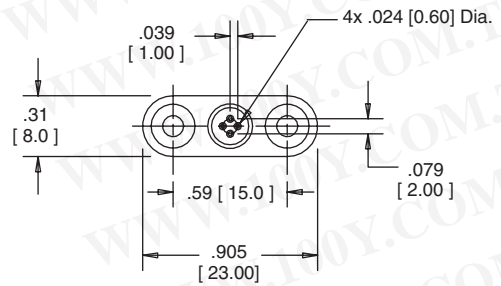
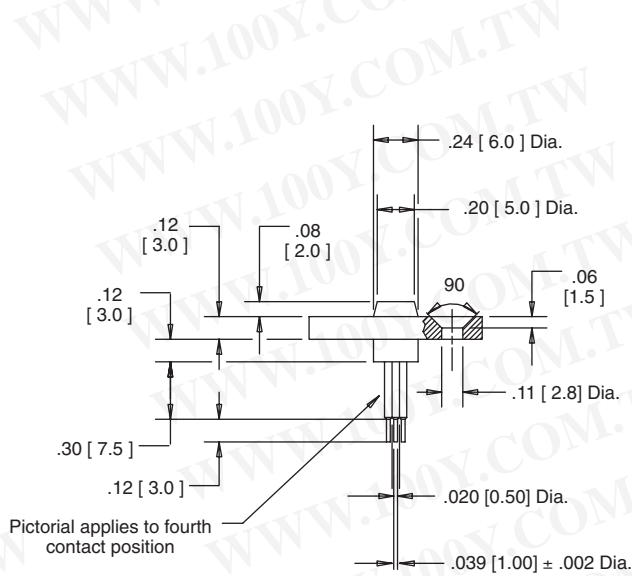
	Tolerance	
	inch	
	(mm)	
Dimension	.00 (.0)	.000 (.00)
Tolerance	± .010 (± .25)	± .005 (± .13)

## Ordering Information

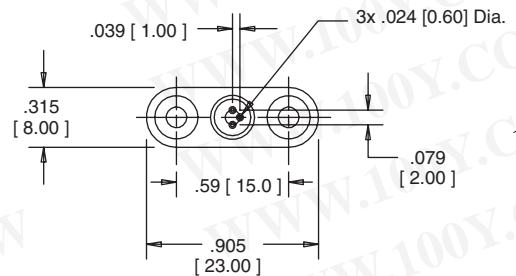
Socket Part Number	Contact Qty.	Pin Circle	Mounting Flange
203-6585-00-0602J	3	.100 [ 2.54 ]	Yes
203-6585-50-0602J			No
203-6970-00-0602J		.079 [ 2.0 ]	Yes
203-6970-50-0602J			No
204-6585-00-0602J	4	.100 [ 2.54 ]	Yes
204-6585-50-0602J			No
204-6970-00-0602J		.079 [ 2.0 ]	Yes
204-6970-50-0602J			No

TS-0406-06  
Sheet 2 of 3

# Laser Diode Sockets

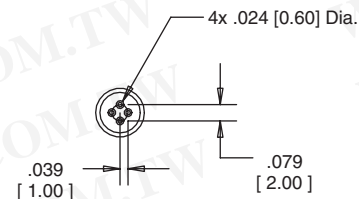
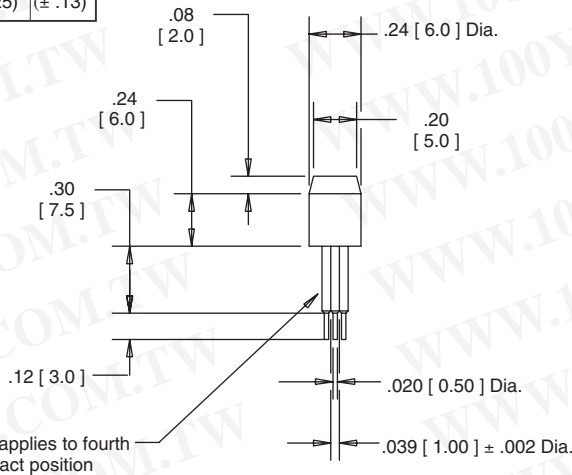


204-6970-00-0602J

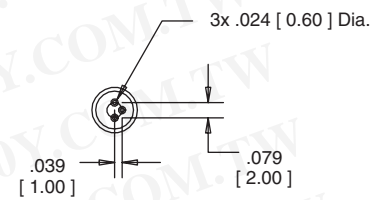


203-6970-00-0602J

Dimension	Tolerance	
	inch (mm)	inch (mm)
	.00 (.0)	.000 (.00)
Tolerance	± .010 (± .25)	± .005 (± .13)



204-6970-50-0602J



203-6970-50-0602J

勝特力材料 886-3-5753170  
 勝特力电子(上海) 86-21-34970699  
 勝特力电子(深圳) 86-755-83298787  
[Http://www.100y.com.tw](http://www.100y.com.tw)