



## BCC / CSP / LPCC / MLF/ MLP / QFN / DR QFN Sockets

勝特力材料 886-3-5753170  
勝特力电子(上海) 86-21-34970699  
勝特力电子(深圳) 86-755-83298787  
[Http://www.100y.com.tw](http://www.100y.com.tw)

### PRODUCT DESCRIPTION :

Plastronics has taken a leadership role in designing and developing socket solutions for the newest QFN packages such as [MLF](#), BCC and LPCC. These sockets offer a modular design in a small outline with very low inductance. The new Open Top QFN socket allows for more convenient package loading and unloading in most of the same lead count options as the lidded version.

### SPECIFICATIONS (mm):

- Available in .40 up to 2.54 mm pitch designs
- Custom pitches down to .40 mm
- Lidded and Open Top Sockets for 3 mm - 10 mm packages
- Lidded Sockets for 10 - 16 mm packages
- Center ground pin standard for all sockets
- Optional copper heat slug available for high wattage devices
- Sockets for over 160 different JEDEC standard footprints

### MECHANICAL PROPERTIES:

- Mounting Method to Board: Thru-hole Mount
- Socket Operation: Clamshell lid; ZIF Open Top
- Operating Temperature: -50°C to +150°C
- Contact Force: 25 gf typical
- Life Cycles: 5,000 Mechanical Cycles

### PHYSICAL PROPERTIES:

- Plastic Body : PPS
- Contact Base Metal : BeCu
- Contact Plating : Au over Ni
- Center Pin Base Metal Brass : Cu optional
- Center Pin Plating : Au
  
- Springs, Torsion / Coil: Passivated S.S.

### ELECTRICAL PROPERTIES:

- Contact Resistance: 50 mOhms

- Inductance: 3 nH
- Current Rating: .5A with 30 呎 rise, 1.0A with 75 呎 rise
- Volume Resistivity:  $1 \times 10^{15}$  Ohm-cm
- Insulation Resistance: 560 V/mil

勝特力材料 886-3-5753170  
 勝特力电子(上海) 86-21-34970699  
 勝特力电子(深圳) 86-755-83298787  
[Http://www.100y.com.tw](http://www.100y.com.tw)

### QFN OFFERINGS:

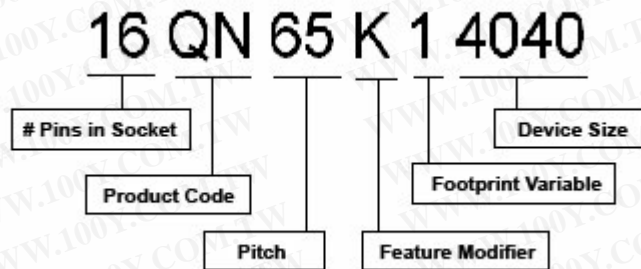
- Plastronics offers 500 sockets with a variety of options. Over 160 unique footprints listed below
- Check with the factory for current availability for Dual Row QFN sockets
- Check with the factory for custom designs for high power applications

## Product Specifications and Dimensions

### QFN Socket Listing of Unique Footprints

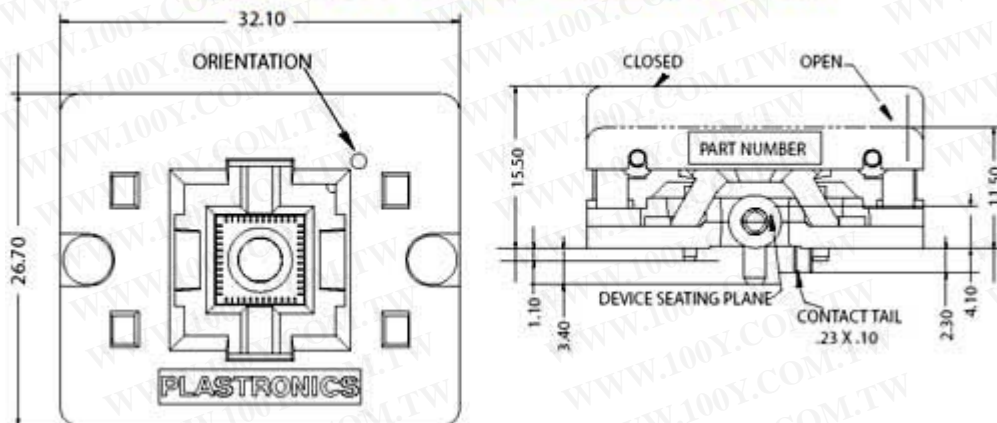
**Only basic sockets of unique footprints are listed.** Alternative options are available for most sockets, which may include: Custom depopulation, open-top body, heat slug, 1mm+ thick packages, etc.

**\*\*Please contact Plastronics or your local rep. for available options\*\***



### DETAIL DRAWINGS :

#### OPEN TOP BODY SIZE $\leq 10$ mm



# PLASTRONICS

## QFN Socket Listing of Unique Footprints

**Sorted by # PADS, BODY SIZE, PITCH**

**Only basic sockets of unique footprints are listed.**

Alternative options are available for most sockets, which may include:  
custom depopulation, open-top body, heat slug, 1mm+ thick packages, etc.

**\*\*Please contact Plastronics or your local rep. for available options\*\***

There are many variations of package features and tolerances in the industry.  
 Please provide a package drawing to Plastronics to review socket compatibility.

Specific features not shown.  
 Contact factory for details.

# PINS	BODY SIZE (MM)	PITCH (MM)	PAD LAYOUT	SOCKET P/N	COMMENTS
4	3 x 3	1.50	2-0	04QN50T23030	
4	3 x 3	2.00	2-0	04QN20S13030	
5	3 x 3	mixed	3-2	05QNS13030	
6	2.0 x 1.5	.50	3-0	06QN50L12015	pins on 2mm side
6	2 x 2	.65	3-0	06TN65L12020	
6	3 x 2	.50	3-0	06QN50T13020	pins on 2mm side
6	3 x 2	.95	3-0	06QN95A13020	pins on 3mm side, no center pin
6	3 x 3	1.0	3-0	06QN10S13030	
6	3 x 3	1.0	3-0	06QN10T23030	shifted footprint for .30mm pads "L"
6	4 x 4	1.6	3-0	06QN16D14040	
6	6 x 5	1.27	4-0-2-0	06TN12T16050	4 & 2 pins on 5mm sides
6	7 x 7	2.00	3-0	06QN20T17070	
8	2 x 2	.50	4-0	08QN50T22020	shifted footprint for .30mm pads "L"
8	3 x 2	.50	3-1	08QN50T33020	3 pins on 2mm side
8	3 x 2	.50	4-0	08QN50F23020	pins on 3mm side
8	3 x 2	.50	4-0	08QN50T43020	pins on 2mm side, shifted footprint for .30mm pads "L"
8	3 x 3	.50	4-0	08QN50K23030	
8	3 x 3	.65	2-2	08QN65T13030	
8	3 x 3	.65	4-0	08QN65F23030	
8	3 x 3	.65	4-0	08QN65T33030	shifted footprint for .30mm pads "L"
8	3 x 3	.80	3-1	08QN80AW53030	custom plunger
8	3 x 3	.80	4-0	08QN80K43030	
8	3.3 x 3.3	.65	4-0	08QN65K13333	
8	4 x 4	.80	4-0	08TN80K14040	
8	4 x 4	1.00	4-0	08QN10A14040	no center pin
8	4.5 x 3.5	.50	4-0	08QN50K14535	pins on 3.5mm side
8	5 x 3	1.27	4-0	08QN12AW25030	no center pin, custom plunger, pins on 5mm side
8	5 x 5	.80	4-0	08QN80T15050	
8	5 x 5	1.30	4-0	08QN13D15050	
8	6 x 5	1.27	4-0	08QN12AW36050	pins on 5mm side, no center pin, flat nest floor
8	6 x 5	1.27	4-0	08QN12T16050	pins on 5mm side
8	6 x 6	1.30	4-0	08QN13F36060	
8	6 x 6	1.50	4-0	08QN50K26060	
8	6 x 6	2.40	3-1	08QN24AW16060	no center pin
8	6 x 6	mixed	4-0	08QN50F16060	
8	6.3 x 5.1	1.27	4-0	08QN12T16351	pins on 5.1mm side
8	6.3 x 5.2	1.27	4-0	08QN12T16352	pins on 5.2mm side
8	8 x 6	1.30	4-0	08TN13S18060	pins on 6mm side
10	2 x 2	.40	5-0	10TN40T12020	
10	2 x 2	.50	3-2	10QN50L12020	
10	3 x 2	.50	4-1	10QN50T13020	4 pins on 3mm side
10	3 x 2	.50	5-0	10QN50K23020	5 pins on 3mm side
10	3 x 3	.50	5-0	10QN50S13030	
10	3 x 3	.50	5-0	10QN50T23030	shifted footprint for .30mm pads "L"
10	3.5 x 3.5	.50	5-0	10QN50T13535	
10	4 x 4	.80	5-0	10QN80T24040	
10	4 x 4	.85	5-0	10TN85T14040	thick device
10	4 x 4	.85	5-0	10TN85T24040	
10	4.9 x 3.0	.50	5-0	10QN50G14930	SO package, no center pin
10	5 x 2	.50	3-2	10QN50AW15020	
10	6 x 6	1.00	5-0	10BC10T16060	

勝特力材料 886-3-5753170  
 勝特力电子(上海) 86-21-34970699  
 勝特力电子(深圳) 86-755-83298787  
[Http://www.100y.com.tw](http://www.100y.com.tw)

# PINS	BODY SIZE (MM)	PITCH (MM)	PAD LAYOUT	SOCKET P/N	COMMENTS
11	4 x 4	.50	6-0-5-0	11QN50K14040	
11	12.5 x 15.2	mixed	11	11QNMAW11215	for memory card
12	3 x 2	.50	3-3	12QN50T13020	
12	3 x 3	.40	6-0	12QN40AH13030	
12	3 x 3	.50	3-3	12QN50F13030	
12	3 x 3	.50	6-0	12QN50K33030	
12	3 x 3	.65	4-2	12QN65F13030	
12	3.6 x 2.9	.50	6-0	12QN50AH13629	shifted footprint for .30mm pads "L", pads on 2.9mm side
12	4 x 3	.50	6-0	12QN50S14030	
12	4 x 4	.50	6-0	12QN50K14040	
12	4 x 4	.50	3-3	12QN50K24040	
12	4 x 4	.80	3-3	12QN80F14040	
12	5 x 5	mixed	4-2	12QN50K25050	
12	5 x 5	1.00	5-1	12BC10AW15050	no center pin
12	5 x 5	1.30	3-3	12LQ13AK15050	
12	6 x 6	mixed	4-2	12QN50K26060	
12	7 x 7	1.00	5-1	12BC10AW17070	no center pin
12	8 x 8	1.30	6-0	12QN65F18080	
12	8.6 x 7.6	1.00	6-0	12QN10VT28676	
12	9 x 9	1.30	6-0	12QN13D19090	
14	3 x 3	.40	7-0	14QN40T13030	shifted footprint for .30mm pads "L"
14	3.5 x 3.5	mixed	5-2	14QN50TS23535	
14	4 x 3	.50	7-0	14QN50TS14030	shifted footprint for .30mm pads "L"
14	4 x 4	.50	7-0	14QN50K14040	
14	5 x 3	.80	6-1	14QN80AW15030	6 pins on 5mm side
14	5 x 4	.50	7-0	14QN50K25040	
14	5 x 5	.50	7-0	14QN50K15050	
14	5 x 5	.65	7-0	14QN65S15050	
14	7 x 7	.80	7-0	14QN80AG17070	
16	3 x 2	.50	4-4	16QN50T33020	shifted footprint for .30mm pads "L"
16	3 x 3	.50	4-4	16QN50K23030	
16	3 x 3	.50	5-3	16QN50S13030	
16	3 x 3	.50	5-3	16QN50T33030	shifted footprint for .30mm pads "L"
16	4.0 x 3.5	mixed	6-2	16QN50T14035	6 pins on 4mm side
16	4 x 4	.50	4-4	16QN50K14040	
16	4 x 4	.65	4-4	16QN65K14040	
16	4 x 4	.80	5-3	16QN80T24040	
16	4 x 4	.85	5-3	16BC85D14040	
16	5 x 5	.50	8-0	16QN50K15050	
16	5 x 5	.80	5-3	16QN80AW35050	
16	5 x 5	.80	4-4	16QN80F15050	
16	5 x 5	mixed	5-3	16LB80AW15050	
16	5 x 5	1.00	5-3	16BC10AW15050	
16	6 x 6	1.00	4-4	16QN10F16060	
16	6 x 6	1.00	5-3	16BC10AK16060	
16	6 x 6	mixed	4-4	16QN50T16060	custom high power
16	6 x 6	mixed	6-2	16QN80AW16060	
16	7 x 7	1.00	4-4	16BC10AW17070	
16	8 x 8	1.30	4-4	16QN65D18080	
16	10 x 8	1.91	5-3	16BC19T110080	
18	4 x 4	.40	9-0	18QN40K14040	
18	6 x 5	.50	9-0	18QN50T26050	pins on 6mm side
20	3 x 3	.40	5-5	20QN40T13030	
20	3 x 3	.40	6-4	20QN40S33030	
20	3 x 3	.40	7-3	20QN40K23030	
20	3 x 3	.50	6-4	20QN50K13030	
20	3.5 x 3.5	.50	6-4	20QN50T13535	
20	4 x 3	.50	6-4	20QN50S34030	
20	4 x 3	.50	7-3	20QN50TS44030	
20	4 x 3.5	.50	6-4	20QN50T14035	
20	4 x 4	.50	5-5	20QN50K14040	
20	4 x 4	.50	6-7-6-1	20QN50AW24040	shifted footprint for .30mm pads "L"
20	4.2 x 4.2	.50	5-5	20QN50S14242	
20	4.5 x 3.5	mixed	8-2	20QN50K14535	8 pins on 4.5mm side
20	5 x 4	.50	6-4	20QN50S15040	
20	5 x 5	.65	5-5	20QN65F15050	
20	5.2 x 4.2	.65	5-5	20BC65T15242	
20	6 x 5	.50	10-0	20TN50T16050	pins on 6mm side
20	6 x 6	.50	10-0	20QN50D16060	
20	6 x 6	1.00	6-4	20QN10T16060	
20	7 x 7	1.00	5-5	20QN10A17070	

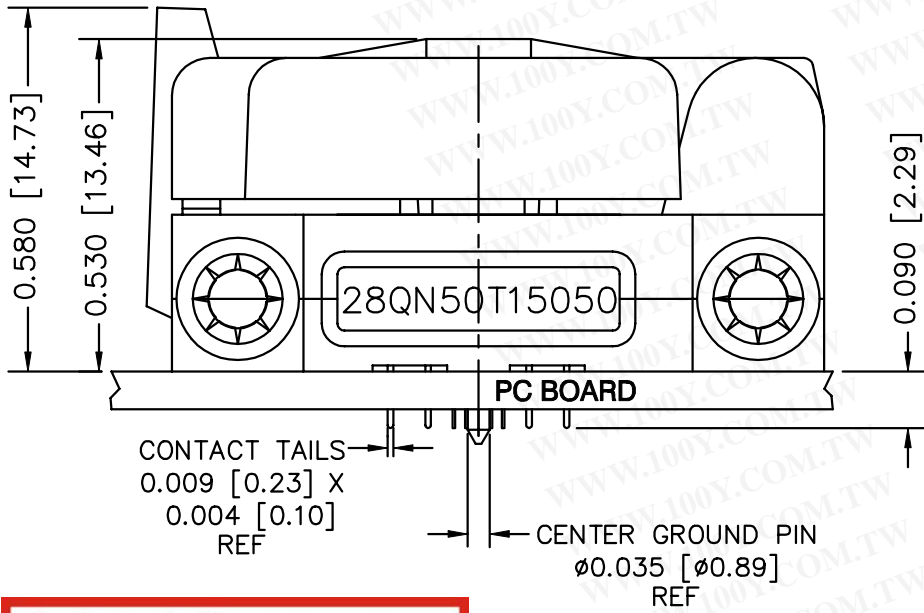
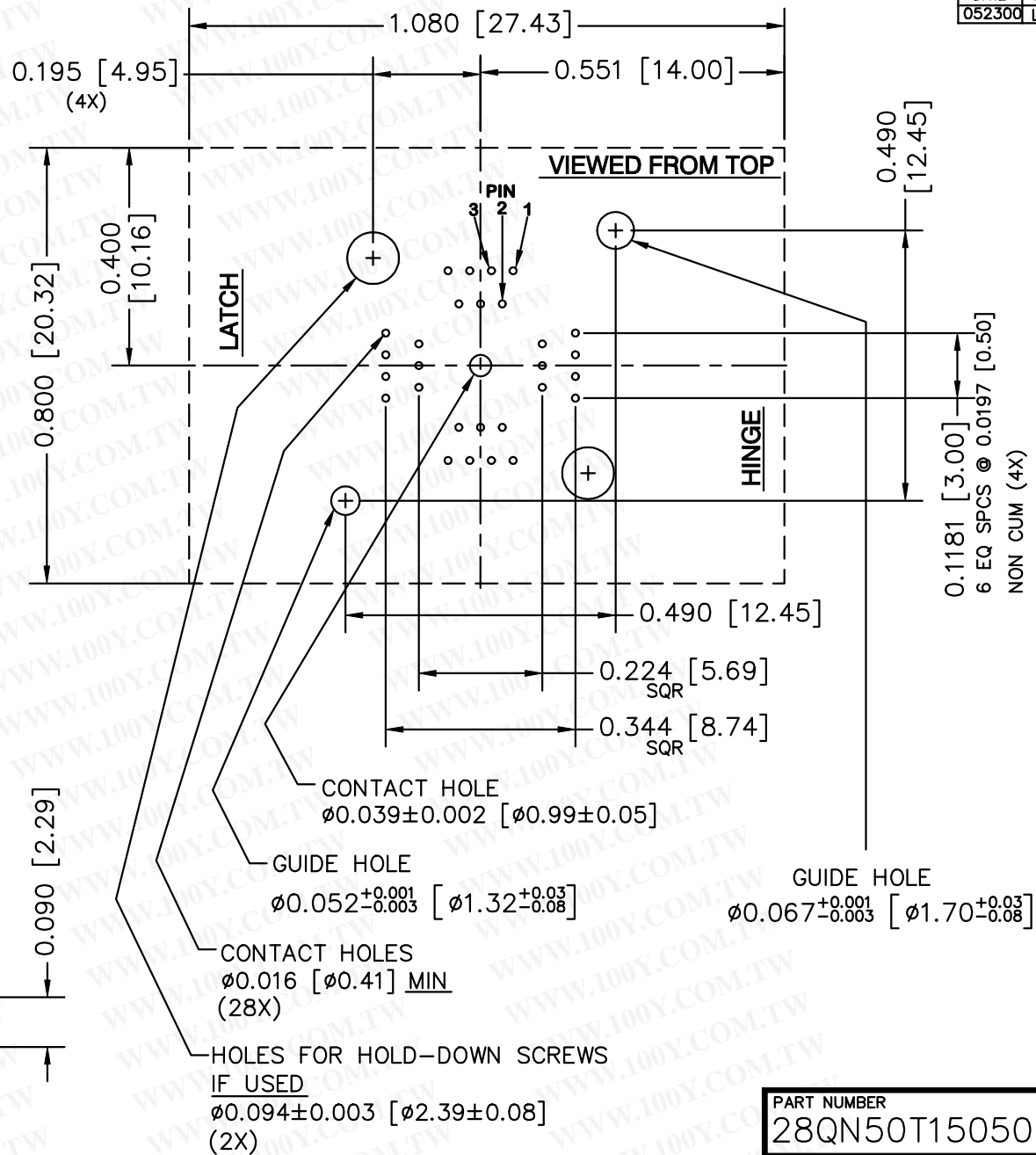
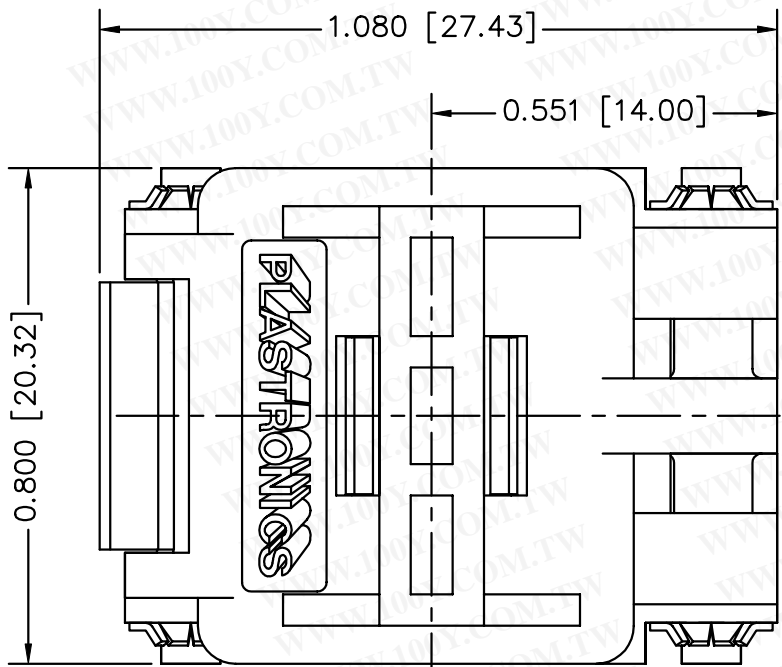
**勝特力材料 886-3-5753170**  
**勝特力电子(上海) 86-21-34970699**  
**勝特力电子(深圳) 86-755-83298787**  
[Http://www.100y.com.tw](http://www.100y.com.tw)

# PINS	BODY SIZE (MM)	PITCH (MM)	PAD LAYOUT	SOCKET P/N	COMMENTS
20	10.2 x 6.9	1.02	8-2	20QN11A110269	
22	3.5 x 3.5	.50	6-5	22QN50T13535	
22	6 x 5	.80	7-4	22QN80H16050	
22	6 x 6	mixed	6-5	22QN50T16060	
22	13.7 x 11.0	mixed	6-6	22QN17AW1137110	
24	3 x 3	.40	7-5	24QN40T13030	shifted footprint for .30mm pads "L"
24	3.4 x 2.5	.40	6-6	24QN40AJ13425	no center pin
24	3.5 x 3.5	.40	6-6	24QN40TS13535	shifted footprint for .30mm pads "L"
24	4 x 3	.40	7-5	24QN40S14030	
24	4 x 4	.50	6-6	24QN50K14040	
24	4 x 4	.50	7-5	24QN50K24040	
24	4.5 x 3.5	.50	9-3	24BC50T14535	9 pins on 4.5mm side
24	4.5 x 3.5	.50	8-4	24QN50K14535	8 pins on 4.5mm side
24	5 x 4	.50	7-5	24QN50K15040	7 pins on 5mm side
24	5.4 x 4.0	.65	6-6	24QN65D15440	
24	5.5 x 4.0	.65	6-6	24QN65D15540	
24	5 x 5	.65	7-5	24QN50S25050	
24	5.5 x 3.5	mixed	10-2	24QN50T15535	10 pins on 5.5mm side
24	6 x 4	mixed	6-6	24BC65D16040	
24	6 x 6	.80	7-5	24BC80AW16060	
24	6 x 6	.80	6-6	24QN80T16060	
24	7 x 7	1.00	7-5	24BC10AW17070	
24	8 x 6	.65	12-0	24QN65S18060	pins on 8mm side
24	8 x 6	1.00	8-4	24QN10T18060	8 pins on 8mm side
24	8 x 8	.80	6-6	24QN80AW18080	
24	8 x 8	1.10	7-5	24BC11AW18080	
26	5 x 5	mixed	7-6	26QN50S15050	
26	6 x 6	mixed	9-4	26QNK16060	striped center pads
28	4 x 3	.40	7-7	28QN40S24030	
28	4 x 4	.40	7-7	28QN40K14040	
28	4 x 4	.45	7-7	28QN45K14040	
28	4 x 4	.50	7-7	28QN50TS14040	shifted footprint for .30mm pads "L"
28	5 x 4	.50	7-7	28QN50K15040	
28	5 x 4	.50	8-6	28QN50S25040	8 pins on 8mm side
28	5 x 5	.50	7-7	28QN50K15050	
28	5.5 x 3.5	.50	10-4	28QN50T15535	10 pins on 5.5mm side
28	6 x 5	.50	8-6	28QN50K16050	8 pins on 6mm side
28	6 x 6	.65	7-7	28QN65T16060	
28	6 x 6	.76	8-6	28BC76AW16060	
28	7 x 7	.80	7-7	28QN80TS17070	
28	7.5 x 7.5	.88	8-6	28LB88AW17575	
28	8 x 8	1.00	7-7	28QN10D18080	
28	8 x 8	1.00	8-6	28BC10AW18080	
28	9 x 9	1.00	7-7	28BC10AG19090	
28	11.6 x 9.1	1.30	7-7	28QN13T111691	
29	5.5 x 3.5	.50	6-9-5-9	29QN50S15535	
30	5.5 x 3.5	.50	6-9	30QN50S15535	
32	4 x 4	.40	9-7	32QN40K14040	
32	5 x 5	.50	9-7	32BC50T15050	
32	5 x 5	.50	8-8	32QN50S15050	
32	6 x 6	.50	8-8	32QN50K16060	
32	7 x 7	.50	8-8	32QN50K17070	
32	7 x 7	.65	8-8	32QN65F17070	
32	8 x 8	mixed	9-7	32LB80AW18080	
32	8 x 8	mixed	10-6	32QN50S18080	
32	8 x 8	.80	8-8	32QN80F18080	
32	9 x 9	.80	8-8	32QN80T19090	no center pin
32	9 x 9	.90	8-8	32QN90T19090	
32	10 x 10	mixed	10-6	32QN80AG1100100	no center pin
32	10 x 10	1.00	8-8(+4)	32QN10E1100100	4 ground probes
32	10 x 10	1.00	9-7-8-8	32BC10AW1100100	
34	10 x 9	1.00	9-8	34QN10T110090	9 pins on 9mm side
34	12 x 9	1.00	10-7	34QN10AW112090	10 pins on 12mm side
34	14.0 x 9.7	1.27	9-8	34BC12T1140097	9 pins on 14mm side
36	5 x 5	.40	9-9	36QN40S15050	
36	6 x 5	.50	10-8	36QN50K16050	10 pins on 6mm side
36	6 x 6	.50	9-9	36QN50F16060	
36	9 x 9	mixed	10-8	36LB80AW19090	
36	10 x 10	.80	9-9	36QN80AG1100100	
36	12.5 x 8.1	.65	18-0	36QN65AW112581	
38	7 x 5	.50	12-7	38QN50K27050	12 pins on 7mm side

**勝特力材料 886-3-5753170**  
**勝特力电子(上海) 86-21-34970699**  
**勝特力电子(深圳) 86-755-83298787**  
[Http://www.100y.com.tw](http://www.100y.com.tw)

# PINS	BODY SIZE (MM)	PITCH (MM)	PAD LAYOUT	SOCKET P/N	COMMENTS
38	8 x 6	.65	12-6	38QN65TS18060	12 pins on 8mm side
40	5 x 5	.40	10-10	40QN40S15050	
40	6 x 6	.40	10-10	40QN40TS16060	shifted footprint for .30mm pads "L"
40	6 x 6	.50	11-9	40BC50T16060	
40	6 x 6	.50	10-10	40QN50K16060	
40	7 x 7	.50	10-10	40QN50S17070	
42	8 x 8	.50	9-13-8-11	42QN50A18080	no center pin, custom lid & plunger
42	8.3 x 8.3	.50	9-13-8-11	42QN50AW18383	no center pin, custom lid & plunger
43	13 x 13	1.10	10-10(+3)	43QN11D1130130	3 ground probes
44	7 x 6	.50	12-10	44QN50K17060	
44	7 x 7	.50	11-11	44QN50TS17070	
44	7 x 7	.50	12-10	44QN50S27070	
44	8 x 8	.65	11-11	44QN65F18080	
44	9 x 9	.65	11-11	44QN65F19090	
48	6 x 6	.40	12-12	48BC40TS14040	
48	6 x 6	.40	12-12	48QN40TS16060	shifted footprint for .30mm pads "L"
48	7 x 7	.50	13-11	48BC50T17070	
48	7 x 7	.50	12-12	48QN50S17070	
48	8 x 8	.50	12-12	48QN50K18080	
48	9 x 9	.50	12-12	48QN50D19090	
48	9 x 9	.65	12-12	48QN65K19090	
48	10 x 8	.65	14-10	48QN65K110080	14 pins on 10mm side
48	10 x 10	.70	12-12	48QN70AW1100100	
48	11.4 x 11.4	.80	12-12	48QN80AW1114114	
48	12 x 10	.80	14-10	48QN80K1120100	14 pins on 12mm side
48	12 x 12	.80	12-12	48QN80AW1120120	
48	17.0 x 8.1	.65	24-0	48TN65AW117081	
52	8 x 8	.50	13-13	52QN50K18080	
52	8.3 x 8.3	.50	13-13	52QN50AW18383	no center pin, custom lid & plunger
52	12.5 x 8.1	mixed	18-10-18-6	52QN65AW112581	
56	7 x 7	.40	14-14	56QN40T17070	
56	8 x 8	.50	14-14	56QN50S18080	
56	8 x 8	.50	14-14	56QN50T48080	stepped center heat slug
56	8 x 8	.50	14-14(+3)	56QN50AT18080	3 ground probes
56	8 x 8	.50	14-14(+3)	56QN50K38080	3 ground probes in-line
56	8 x 8	.50	15-13	56BC50T18080	
56	9 x 9	.50	14-14	56QN50K19090	
56	12 x 7	.60	18-10	56QN60AW112070	18 pins on 12mm side
56	12.5 x 8.1	.65	18-10	56QN65AW112581	
56	8 x 8	.50	15-13(+2)	58BC50AW18080	2 ground pins
60	9 x 9	.50	15-15	60QN50F29090	
60	9 x 9	.50	15-15	60QN50K39090	
64	8 x 8	.40	16-16	64QN40S18080	
64	9 x 9	mixed	17-15	64QN50AW39090	custom end pad shift
64	9 x 9	.50	17-15	64BC50T19090	
64	9 x 9	.50	16-16	64QN50S19090	
64	10 x 10	.50	16-16	64QN50S1100100	
65	12 x 12	mixed	mixed	65QNT1120120	
68	8 x 8	.40	17-17	68QN40S18080	
68	10 x 10	.50	17-17	68QN50S2100100	
71	9 x 9	.50	16-16	71QN50AW19090	multiple center pins
72	10 x 10	.50	18-18	72QN50S1100100	
74	15 x 10	.65	21-13(+6)	74QN65C1150100	6 center pins
76	9 x 9	.40	19-19	76QN40S29090	
80	10 x 10	.40	20-20	80QN40S1100100	
84	10 x 10	.40	21-21	84QN40S1100100	
88	10 x 10	.40	22-22	88QN40S1100100	
100	12 x 12	.40	25-25	100QN40S1120120	
118	12 x 12	mixed	mixed	118QNT1120120	

**勝特力材料 886-3-5753170**  
**勝特力电子(上海) 86-21-34970699**  
**勝特力电子(深圳) 86-755-83298787**  
[Http://www.100y.com.tw](http://www.100y.com.tw)

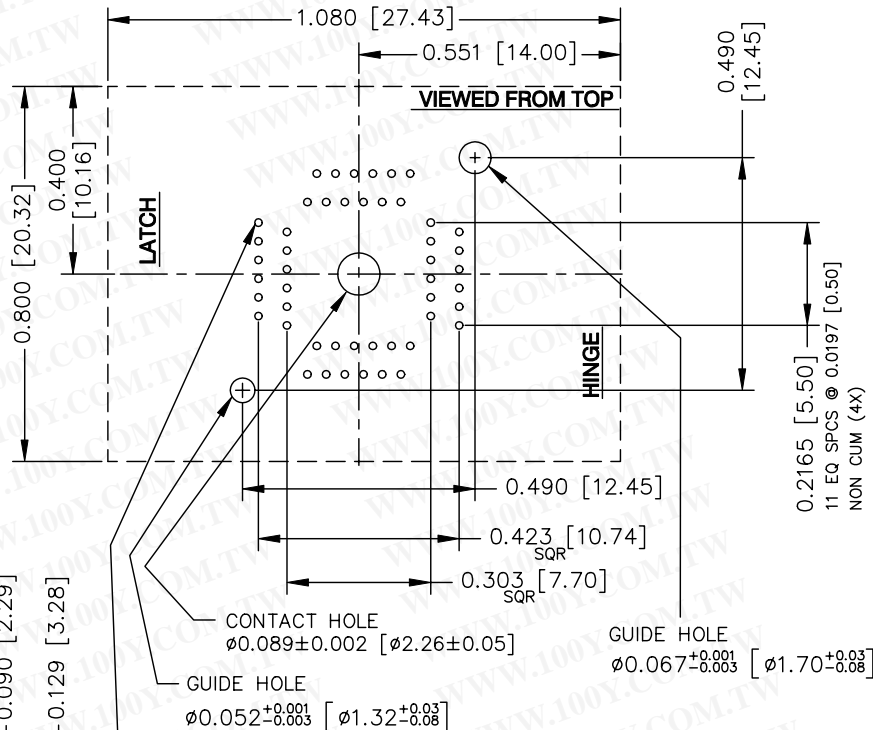
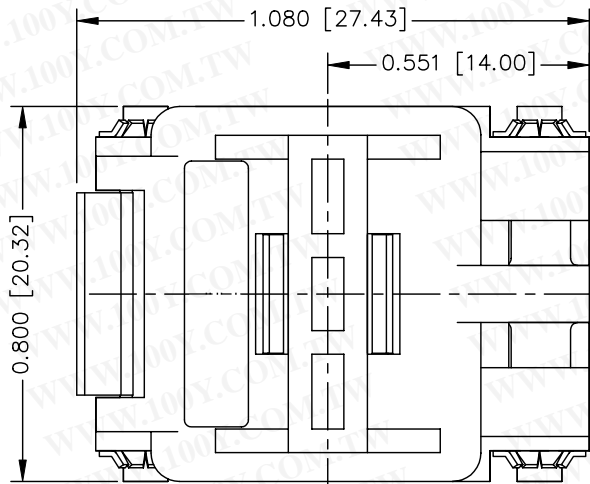


PART NUMBER  
**28QN50T15050**

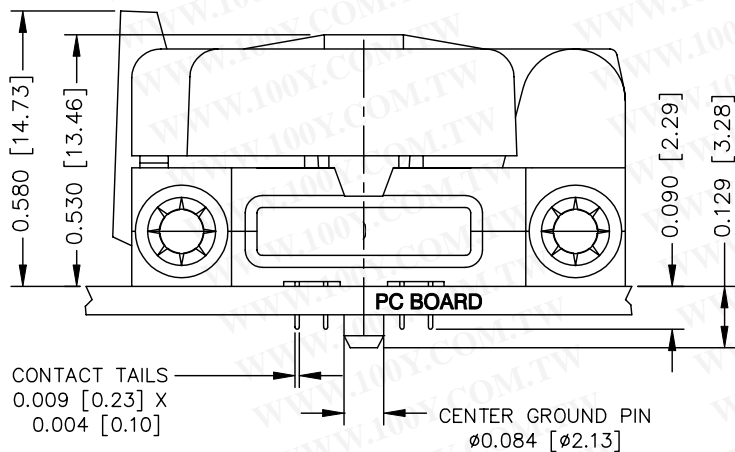
勝特力材料 886-3-5753170  
 勝特力电子(上海) 86-21-34970699  
 勝特力电子(深圳) 86-755-83298787  
[Http://www.100y.com.tw](http://www.100y.com.tw)

PROPRIETARY

UNLESS OTHERWISE SPECIFIED .XXX = ±.003 SURFACE FINISH .XX = ±.010 .X = ±.020 ANGLE = ±1 ALL DIM ARE IN INCHES ALL DIM (Ø) ARE MILLIMETERS REMOVE ALL BURRS AND SHARP EDGES DIM LIMITS APPLY BEFORE PROCESSES HOLE TOLERANCES .0135 THRU .125 = +.004 - .001 .126 THRU .250 = +.005 - .001 .251 THRU .500 = +.006 - .001 .501 THRU .750 = +.008 - .001 .751 THRU 1.00 = +.010 - .001 1.001 THRU 2.00 = +.012 - .001	MATERIAL	PROCESSES	SIZE	COD NO.	DWG NO.	REV	SH
	-	-	C		28QN50T15050	-	-
		SCALE NONE	DATE	TITLE			
		DWN MAA	010600	QFN SOCKET; 5 X 5mm, 0.50mm-PITCH; 28 PINS PLUS CENTER GROUND PIN; THRU-HOLE			
		CHK		PLASTRONICS 2601 TEXAS DRIVE IRVING, TX. 75062			
		ENGR					
		APPVD					



0.2165 [5.50]  
11 EQ SPCS @ 0.0197 [0.50]  
NON CUM (4X)



CONTACT HOLE  
 $\varnothing 0.089 \pm 0.002$  [ $\varnothing 2.26 \pm 0.05$ ]

GUIDE HOLE  
 $\varnothing 0.067 \pm 0.001$  [ $\varnothing 1.70 \pm 0.08$ ]

CONTACT HOLES  
 $\varnothing 0.016$  [ $\varnothing 0.41$ ] MIN  
(48X)

GUIDE HOLE  
 $\varnothing 0.052 \pm 0.001$  [ $\varnothing 1.32 \pm 0.03$ ]

0.490 [12.45]

0.423 [10.74] SQR

0.303 [7.70] SQR

**勝特力材料 886-3-5753170**  
**勝特力电子(上海) 86-21-34970699**  
**勝特力电子(深圳) 86-755-83298787**  
[Http://www.100y.com.tw](http://www.100y.com.tw)

THIS DRAWING IS SUBJECT TO CHANGE WITHOUT NOTICE. PLEASE REQUEST A CURRENT DRAWING WHEN LAYING OUT BOARDS.

PROPRIETARY

<small>UNLESS OTHERWISE SPECIFIED                  .XX = ±.003 SURFACE                  .X = ±.010 FINISH                  X = ±.020                  ANGLE = #1                  ALL DIM ARE IN INCHES                  ALL DIM (XX) ARE MILLIMETERS                  REMOVE ALL BURRS AND                  SHARP EDGES                  DIM LIMITS APPLY BEFORE                  PROCESSES                  HOLE TOLERANCES                  .0135 THRU .125 = +.004 -0.001                  .130 THRU .250 = +.005 -0.001                  .251 THRU .500 = +.006 -0.001                  .501 THRU .750 = +.008 -0.001                  .751 THRU 1.00 = +.010 -0.001                  1.001 THRU 2.00 = +.012 -0.001</small>	MATERIAL	PROCESSES	SIZE	COD NO.	REV	SH
	-	-	SCALE NONE	DATE		
			DWN MAA	010400		
			CHK			
			ENGR			
		APPVD				
TITLE			QFN SOCKET; 7 X 7mm, 0.50mm-PITCH; 48 PINS PLUS CENTER GROUND PIN; THRU-HOLE			