



Features

- External dimensions: 11.5 x 4.5 x 3.68mm.
- Frequency range: 3.579545MHz ~ 64MHz.
- Surface mount type crystal units.
- A great number of standard frequencies.
- High frequency pullability and low equivalent series resistance.
- Highly mass production capability.
- Applications: PC, STB, LCDM and Cable Modem.

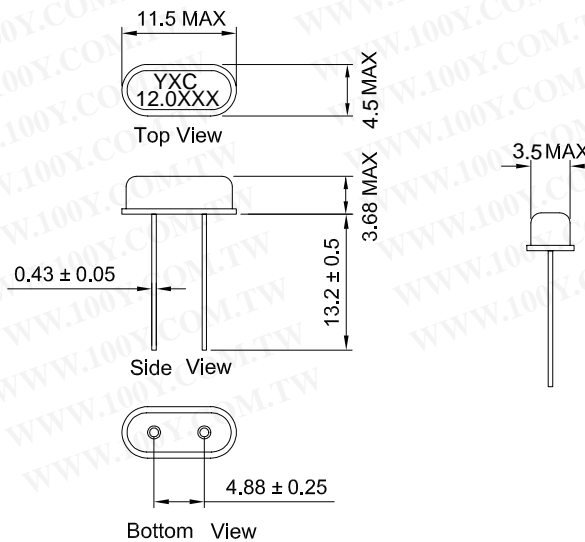
Electrical Specifications

| Item / Type | HC-49US |
|--|--|
| Nominal Frequency Range | 3.579545 ~ 64MHz |
| Vibration Mode | AT Fundamental |
| Load Capacitance | 12pF, 20pF, or specify |
| Frequency Tolerance (at 25 °C) | ±10 ppm, ± 20 ppm, or specify |
| Frequency Versus Temperature Characteristics | ± 20 ppm, or specify |
| Operating Temperature | - 20 ~ + 70 °C , - 40 ~ + 85 °C , or specify |
| Storage Temperature | -40 ~ +85 °C , or specify |
| Shunt Capacitance | 7 pF Max. |
| Level Of Drive | 1 ~ 500 μW (100μW typical) |
| Frequency Aging (at 25 °C) | ± 3 ppm / year Max. |

Equivalent Series Resistance(ESR)

| Fundamental | | 3rd Overtone | |
|------------------|------------|--------------|------------|
| 3.579545 ~ 4 MHz | 150 Ω Max. | 20 ~ 25 MHz | 100 Ω Max. |
| 4 ~ 5 MHz | 120 Ω Max. | 25 ~ 64 MHz | 80 Ω Max. |
| 5 ~ 6 MHz | 100 Ω Max. | | |
| 6 ~ 7 MHz | 80 Ω Max. | | |
| 7 ~ 10MHz | 60 Ω Max. | | |
| 10 ~ 27MHz | 40 Ω Max. | | |

Dimensions



Units: mm

勝特力材料 886-3-5753170
 勝特力电子(上海) 86-21-34970699
 勝特力电子(深圳) 86-755-83298787
 Http://www.100y.com.tw

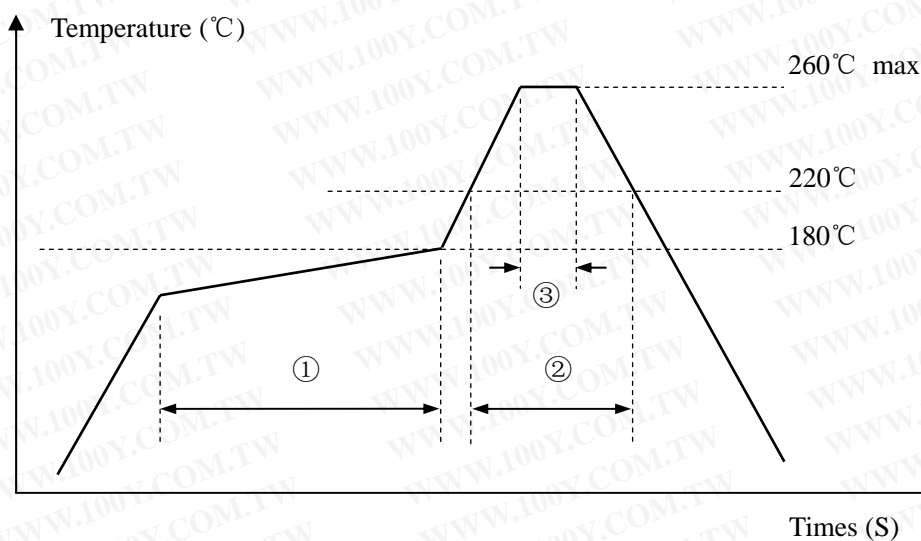
HC-49US

★ PART NUMBER GUIDE 部件号示例 e.g. X49SD12MSD2SC

HC-49US=11.5 × 4.5 DIP SEAM TYPE

| Quartz Crystal Resonator | Dimensions | Frequency (Hz) | Load Capacitance (Pf) | Frequency Stability Overall (ppm) | Pin | Material | Operating Temp. Range |
|--------------------------|------------|----------------|-----------------------|-----------------------------------|-----|----------|-----------------------|
| X | 49SD | 12M | S | D | 2 | S | C |

★ WAVE SOLDERING PROFILE 波峰焊特性



| | | | | |
|---------------------|---|--------------|-----------|-------------|
| Pb free reflow A | ① | Preheat | 160~180°C | 120sec. max |
| | ② | Primary heat | 220°C | 60sec. max |
| | ③ | Peak | 260°C | 10sec. max. |