

# NLAS3699B

## Dual DPDT Ultra-Low $R_{ON}$ Switch

The NLAS3699B is a dual independent ultra-low  $R_{ON}$  DPDT analog switch. This device is designed for low operating voltage, high current switching of speaker output for cell phone applications. It can switch a balanced stereo output. The NLAS3699B can handle a balanced microphone/speaker/ring-tone generator in a monophone mode. The device contains a break-before-make feature.

### Features

- Single Supply Operation  
1.65 to 4.5 V  $V_{CC}$   
Function Directly from LiON Battery
- Maximum Breakdown Voltage: 5.5 V
- Tiny 3 x 3 mm QFN Pb-Free Package  
Meet JEDEC MO-220 Specifications
- Low Static Power
- This is a Pb-Free Device\*

### Typical Applications

- Cell Phone Speaker/Microphone Switching
- Ringtone-Chip/Amplifier Switching
- Four Unbalanced (Single-Ended) Switches
- Stereo Balanced (Push-Pull) Switching

### Important Information

- ESD Protection:  
HBM (Human Body Model) > 8000 V  
MM (Machine Model) > 400 V
- Continuous Current Rating Through each Switch  $\pm 300$  mA
- Conforms to: JEDEC MO-220, Issue H, Variation VEED-6
- Pin for Pin Compatible with STG3699

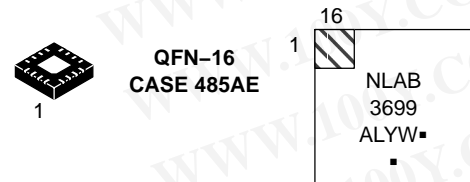
勝特力材料 886-3-5753170  
勝特力电子(上海) 86-21-34970699  
勝特力电子(深圳) 86-755-83298787  
[Http://www.100y.com.tw](http://www.100y.com.tw)



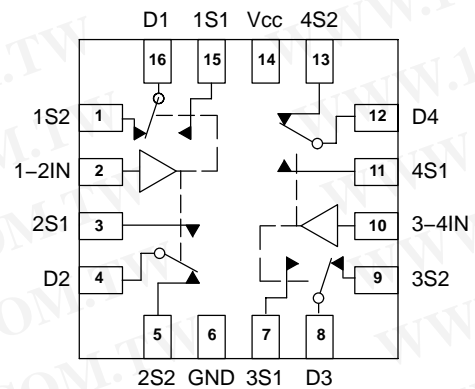
ON Semiconductor®

<http://onsemi.com>

### MARKING DIAGRAMS



A = Assembly Location  
L = Wafer Lot  
Y = Year  
W = Work Week  
▪ = Pb-Free Package  
(Note: Microdot may be in either location)



### ORDERING INFORMATION

See detailed ordering and shipping information in the package dimensions section on page 9 of this data sheet.

\*For additional information on our Pb-Free strategy and soldering details, please download the ON Semiconductor Soldering and Mounting Techniques Reference Manual, SOLDERRM/D.

# NLAS3699B

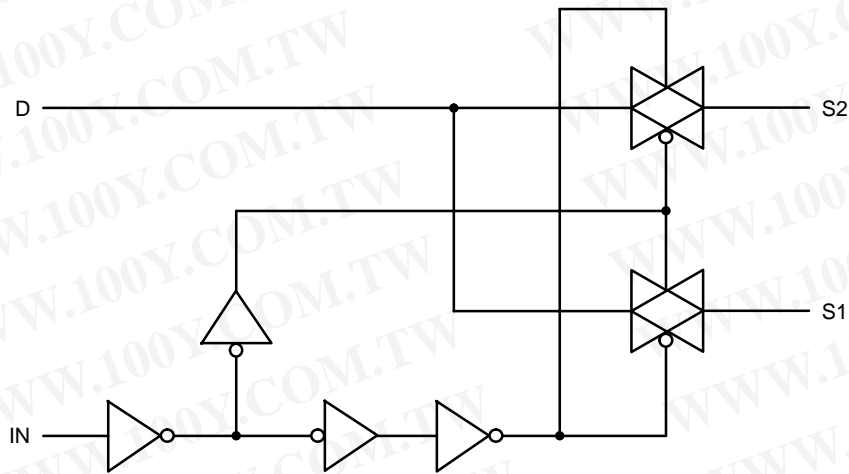


Figure 1. Input Equivalent Circuit

## PIN DESCRIPTION

| QFN PIN #                 | Symbol                 | Name and Function       |
|---------------------------|------------------------|-------------------------|
| 1, 3, 5, 7, 9, 11, 13, 15 | 1S1 to 4S1, 1S2 to 4S2 | Independent Channels    |
| 2, 10                     | 1-2IN, 3-4IN           | Controls                |
| 4, 8, 12, 16              | D1 to D4               | Common Channels         |
| 6                         | GND                    | Ground (V)              |
| 14                        | V <sub>CC</sub>        | Positive Supply Voltage |

## TRUTH TABLE

| IN | S1     | S2     |
|----|--------|--------|
| H  | ON     | OFF(*) |
| L  | OFF(*) | ON     |

\*High impedance.

勝特力材料 886-3-5753170  
 勝特力电子(上海) 86-21-34970699  
 勝特力电子(深圳) 86-755-83298787  
[Http://www.100y.com.tw](http://www.100y.com.tw)

# NLAS3699B

## MAXIMUM RATINGS

| Symbol         | Parameter  | Value  | Unit  |   |    |   |    |
|----------------|--|--|---|---|----|---|----|
| $V_{CC}$       | Positive DC Supply Voltage   | -0.5 to +5.5   | V   |   |    |   |    |
| $V_{IS}$       | Analog Input Voltage ( $V_{NO}$ , $V_{NC}$ , or $V_{COM}$ )          | $-0.5 \leq V_{IS} \leq V_{CC}$   | V   |   |    |   |    |
| $V_{IN}$       | Digital Select Input Voltage   | $-0.5 \leq V_I \leq +5.5$  | V   |   |    |   |    |
| $I_{anI1}$     | Continuous DC Current from COM to NC/NO                              | $\pm 300$  | mA  |   |    |   |    |
| $I_{anI-pk 1}$ | Peak Current from COM to NC/NO, 10 duty cycle (Note 1)               | $\pm 500$  | mA  |   |    |   |    |
| $I_{clmp}$     | Continuous DC Current into COM/NO/NC with respect to $V_{CC}$ or GND | $\pm 100$  | mA  |   |    |   |    |
| $t_r, t_f$     | Input Rise or Fall Time, SELECT                                      | $V_{CC} = 1.6\text{ V} - 2.7\text{ V}$<br>$V_{CC} = 3.0\text{ V} - 4.5\text{ V}$ | <table border="1"> <tr> <td>0</td> <td>20</td> </tr> <tr> <td>0</td> <td>10</td> </tr> </table> | 0 | 20 | 0 | 10 |
| 0              | 20   |  |   |   |    |   |    |
| 0              | 10   |  |   |   |    |   |    |

Stresses exceeding Maximum Ratings may damage the device. Maximum Ratings are stress ratings only. Functional operation above the Recommended Operating Conditions is not implied. Extended exposure to stresses above the Recommended Operating Conditions may affect device reliability.

1. Defined as 10% ON, 90% off duty cycle.

## RECOMMENDED OPERATING CONDITIONS

| Symbol     | Parameter                          | Min  | Max   | Unit |    |   |    |      |
|------------|------------------------------------|--|---|------|----|---|----|------|
| $V_{CC}$   | DC Supply Voltage                  | 1.65   | 4.5   | V    |    |   |    |      |
| $V_{IN}$   | Digital Select Input Voltage       | GND  | $V_{CC}$  | V    |    |   |    |      |
| $V_{IS}$   | Analog Input Voltage (NC, NO, COM) | GND  | $V_{CC}$  | V    |    |   |    |      |
| $T_A$      | Operating Temperature Range        | -40  | +85   | °C   |    |   |    |      |
| $t_r, t_f$ | Input Rise or Fall Time, SELECT    | $V_{CC} = 1.6\text{ V} - 2.7\text{ V}$<br>$V_{CC} = 3.0\text{ V} - 4.5\text{ V}$ | <table border="1"> <tr> <td>0</td> <td>20</td> </tr> <tr> <td>0</td> <td>10</td> </tr> </table> | 0    | 20 | 0 | 10 | ns/V |
| 0          | 20                                 |  |   |      |    |   |    |      |
| 0          | 10                                 |  |   |      |    |   |    |      |

勝特力材料 886-3-5753170  
 勝特力电子(上海) 86-21-34970699  
 勝特力电子(深圳) 86-755-83298787  
[Http://www.100y.com.tw](http://www.100y.com.tw)

# NLAS3699B

## DC CHARACTERISTICS – Digital Section (Voltages Referenced to GND)

| Symbol           | Parameter                                       | Condition   | V <sub>CC</sub> | Guaranteed Limit |       | Unit |
|------------------|---|---|-----------------|------------------|-------|------|
|                  |   |   |                 | -40°C to 25°C    | <85°C |      |
| V <sub>IH</sub>  | Minimum High-Level Input Voltage, Select Inputs |   | 1.8             | 1.2              | 1.2   | V    |
|                  |   |   | 2.5             | 1.7              | 1.7   |      |
|                  |   |   | 3.6             | 2.2              | 2.2   |      |
|                  |   |   | 4.3             | 2.6              | 2.6   |      |
| V <sub>IL</sub>  | Maximum Low-Level Input Voltage, Select Inputs  |   | 1.8             | 0.4              | 0.4   | V    |
|                  |   |   | 2.5             | 0.5              | 0.5   |      |
|                  |   |   | 3.6             | 0.7              | 0.7   |      |
|                  |   |   | 4.3             | 0.9              | 0.9   |      |
| I <sub>IN</sub>  | Maximum Input Leakage Current, Select Inputs    | V <sub>IN</sub> = V <sub>CC</sub> or GND            | 4.3             | ±0.1             | ±1.0  | µA   |
| I <sub>OFF</sub> | Power Off Leakage Current                       | V <sub>IN</sub> = V <sub>CC</sub> or GND            | 0               | ±0.5             | ±2.0  | µA   |
| I <sub>CC</sub>  | Maximum Quiescent Supply Current (Note 2)       | Select and V <sub>IS</sub> = V <sub>CC</sub> or GND | 1.65 to 4.5     | ±1.0             | ±2.0  | µA   |

## DC ELECTRICAL CHARACTERISTICS – Analog Section

| Symbol                                       | Parameter  | Condition  | V <sub>CC</sub> | Guaranteed Maximum Limit |      |       |      | Unit |
|--|--|--|-----------------|--------------------------|------|-------|------|------|
|  |  |  |                 | -40°C to 25°C            |      | <85°C |      |      |
|  |  |  |                 | Min                      | Max  | Min   | Max  |      |
| R <sub>ON</sub>                              | NC/NO On-Resistance (Note 2)                         | V <sub>IN</sub> ≤ V <sub>IL</sub> or V <sub>IN</sub> ≥ V <sub>IH</sub><br>V <sub>IS</sub> = GND to V <sub>CC</sub><br>I <sub>INL</sub> ≤ 100 mA  | 2.5             |                          | 0.65 |       | 0.75 | Ω    |
|  |  |  | 3.0             |                          | 0.6  |       | 0.75 |      |
|  |  |  | 4.3             |                          | 0.55 |       | 0.70 |      |
| R <sub>FLAT</sub>                            | NC/NO On-Resistance Flatness (Notes 2, 4)            | I <sub>COM</sub> = 100 mA<br>V <sub>IS</sub> = 0 to V <sub>CC</sub>  | 2.5             |                          | 0.15 |       | 0.15 | Ω    |
|  |  |  | 3.0             |                          | 0.15 |       | 0.15 |      |
|  |  |  | 4.3             |                          | 0.15 |       | 0.15 |      |
| ΔR <sub>ON</sub>                             | On-Resistance Match Between Channels (Notes 2 and 3) | V <sub>IS</sub> = 1.3 V;<br>I <sub>COM</sub> = 100 mA<br>V <sub>IS</sub> = 1.5 V;<br>I <sub>COM</sub> = 100 mA<br>V <sub>IS</sub> = 2.2 V;<br>I <sub>COM</sub> = 100 mA  | 2.5             |                          | 0.06 |       | 0.06 | Ω    |
|  |  |  | 3.0             |                          | 0.05 |       | 0.05 |      |
|  |  |  | 4.3             |                          | 0.05 |       | 0.05 |      |
| I <sub>NC(OFF)</sub><br>I <sub>NO(OFF)</sub> | NC or NO Off Leakage Current (Note 2)                | V <sub>IN</sub> = V <sub>IL</sub> or V <sub>IH</sub><br>V <sub>NO</sub> or V <sub>NC</sub> = 0.3 V<br>V <sub>COM</sub> = 4.0 V   | 4.3             | -10                      | 10   | -100  | 100  | nA   |
| I <sub>COM(ON)</sub>                         | COM ON Leakage Current (Note 2)                      | V <sub>IN</sub> = V <sub>IL</sub> or V <sub>IH</sub><br>V <sub>NO</sub> 0.3 V or 4.0 V with<br>V <sub>NC</sub> floating or<br>V <sub>NC</sub> 0.3 V or 4.0 V with<br>V <sub>NO</sub> floating<br>V <sub>COM</sub> = 0.3 V or 4.0 V | 4.3             | -10                      | 10   | -100  | 100  | nA   |

2. Guaranteed by design. Resistance measurements do not include test circuit or package resistance.

3. ΔR<sub>ON</sub> = R<sub>ON(MAX)</sub> - R<sub>ON(MIN)</sub> between nS1 or nS2.

4. Flatness is defined as the difference between the maximum and minimum value of on-resistance as measured over the specified analog signal ranges.

勝特力材料 886-3-5753170  
 勝特力电子(上海) 86-21-34970699  
 勝特力电子(深圳) 86-755-83298787  
[Http://www.100y.com.tw](http://www.100y.com.tw)

# NLAS3699B

## AC ELECTRICAL CHARACTERISTICS (Input $t_r = t_f = 3.0$ ns)

| Symbol    | Parameter                      | Test Conditions   | $V_{CC}$<br>(V) | $V_{IS}$<br>(V) | Guaranteed Maximum Limit |      |     |       |     | Unit |
|-----------|--------------------------------|---|-----------------|-----------------|--------------------------|------|-----|-------|-----|------|
|           |                                |   |                 |                 | -40°C to 25°C            |      |     | <85°C |     |      |
|           |                                |   |                 |                 | Min                      | Typ* | Max | Min   | Max |      |
| $t_{ON}$  | Turn-On Time                   | $R_L = 50 \Omega$ , $C_L = 35$ pF<br>(Figures 3 and 4)            | 2.3 – 4.5       | 1.5             |                          |      | 50  |       | 60  | ns   |
| $t_{OFF}$ | Turn-Off Time                  | $R_L = 50 \Omega$ , $C_L = 35$ pF<br>(Figures 3 and 4)            | 2.3 – 4.5       | 1.5             |                          |      | 30  |       | 40  | ns   |
| $t_{BBM}$ | Minimum Break-Before-Make Time | $V_{IS} = 3.0$<br>$R_L = 50 \Omega$ , $C_L = 35$ pF<br>(Figure 2) | 3.0             | 1.5             | 2                        | 15   |     |       |     | ns   |

|          |   | Typical @ 25, $V_{CC} = 4.5$ V |  |    |
|----------|---|--------------------------------|--|----|
| $C_{IN}$ | Control Pin Input Capacitance             | 7.0                            |  | pF |
| $C_{SN}$ | SN Port Capacitance                       | 72                             |  | pF |
| $C_D$    | D Port Capacitance When Switch is Enabled | 230                            |  | pF |

\*Typical Characteristics are at 25°C.

## ADDITIONAL APPLICATION CHARACTERISTICS (Voltages Referenced to GND Unless Noted)

| Symbol    | Parameter   | Condition   | $V_{CC}$<br>(V) | 25°C    | Unit |
|-----------|---|---|-----------------|---------|------|
|           |   |   |                 | Typical |      |
| BW        | Maximum On-Channel -3dB Bandwidth or Minimum Frequency Response (Figure 12) | $V_{IN}$ centered between $V_{CC}$ and GND (Figure 5)   | 1.65 – 4.5      | 20      | MHz  |
| $V_{ONL}$ | Maximum Feed-through On Loss  | $V_{IN} = 0$ dBm @ 100 kHz to 50 MHz<br>$V_{IN}$ centered between $V_{CC}$ and GND (Figure 5)                               | 1.65 – 4.5      | -0.06   | dB   |
| $V_{ISO}$ | Off-Channel Isolation (Figure 13)   | $f = 100$ kHz; $V_{IS} = 1$ V RMS; $C_L = 5$ pF<br>$V_{IN}$ centered between $V_{CC}$ and GND (Figure 5)                    | 1.65 – 4.5      | -62     | dB   |
| Q         | Charge Injection Select Input to Common I/O (Figure 8)                      | $V_{IN} = V_{CC}$ to GND, $R_{IS} = 0 \Omega$ , $C_L = 1$ nF<br>$Q = C_L \times \Delta V_{OUT}$ (Figure 6)                  | 1.65 – 4.5      | 50      | pC   |
| THD       | Total Harmonic Distortion THD + Noise (Figure 7)                            | $F_{IS} = 20$ Hz to 20 kHz, $R_L = R_{gen} = 600 \Omega$ , $C_L = 50$ pF<br>$V_{IS} = 2$ V <sub>PP</sub>                    | 4.5             | 0.01    | %    |
| VCT       | Channel-to-Channel Crosstalk  | $f = 100$ kHz; $V_{IS} = 1$ V RMS, $C_L = 5$ pF, $R_L = 50 \Omega$<br>$V_{IN}$ centered between $V_{CC}$ and GND (Figure 5) | 1.65 – 4.5      | -62     | dB   |

5. Off-Channel Isolation =  $20 \log_{10} (V_{com}/V_{no})$ ,  $V_{com}$  = output,  $V_{no}$  = input to off switch.

勝特力材料 886-3-5753170  
 勝特力电子(上海) 86-21-34970699  
 勝特力电子(深圳) 86-755-83298787  
[Http://www.100y.com.tw](http://www.100y.com.tw)

# NLAS3699B

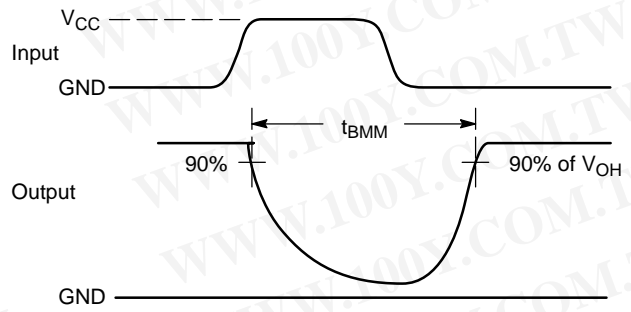
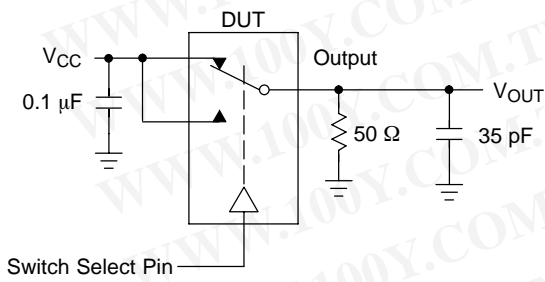


Figure 2.  $t_{BMM}$  (Time Break-Before-Make)

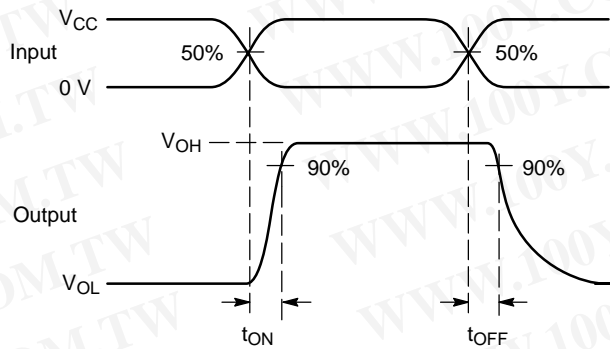
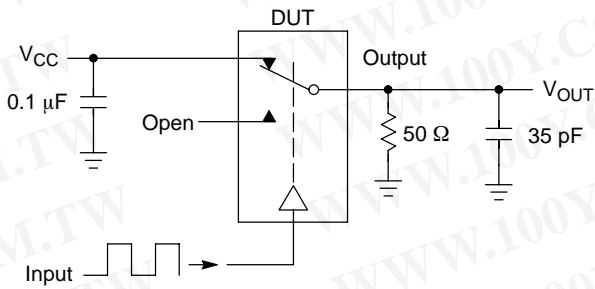


Figure 3.  $t_{ON}/t_{OFF}$

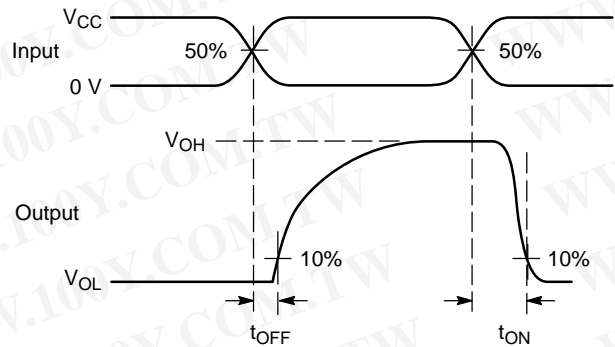
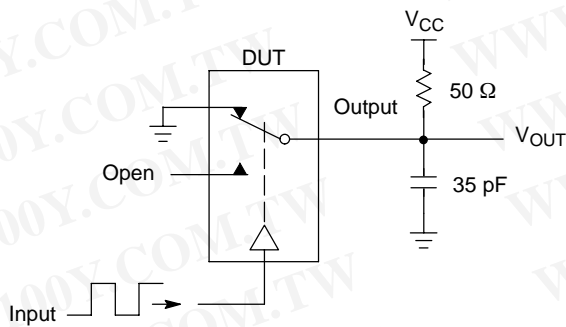
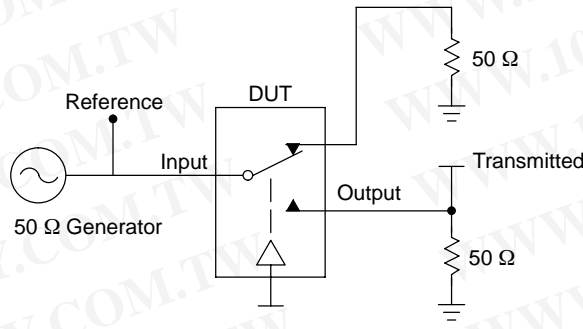


Figure 4.  $t_{ON}/t_{OFF}$

勝特力材料 886-3-5753170  
 勝特力电子(上海) 86-21-34970699  
 勝特力电子(深圳) 86-755-83298787  
[Http://www.100y.com.tw](http://www.100y.com.tw)

勝特力材料 886-3-5753170  
 勝特力电子(上海) 86-21-34970699  
 勝特力电子(深圳) 86-755-83298787  
[Http://www.100y.com.tw](http://www.100y.com.tw)



Channel switch control/s test socket is normalized. Off isolation is measured across an off channel. On loss is the bandwidth of an On switch.  $V_{ISO}$ , Bandwidth and  $V_{ONL}$  are independent of the input signal direction.

$$V_{ISO} = \text{Off Channel Isolation} = 20 \text{ Log} \left( \frac{V_{OUT}}{V_{IN}} \right) \text{ for } V_{IN} \text{ at } 100 \text{ kHz}$$

$$V_{ONL} = \text{On Channel Loss} = 20 \text{ Log} \left( \frac{V_{OUT}}{V_{IN}} \right) \text{ for } V_{IN} \text{ at } 100 \text{ kHz to } 50 \text{ MHz}$$

Bandwidth (BW) = the frequency 3 dB below  $V_{ONL}$

$V_{CT}$  = Use  $V_{ISO}$  setup and test to all other switch analog input/outputs terminated with 50  $\Omega$

Figure 5. Off Channel Isolation/On Channel Loss (BW)/Crosstalk (On Channel to Off Channel)/ $V_{ONL}$

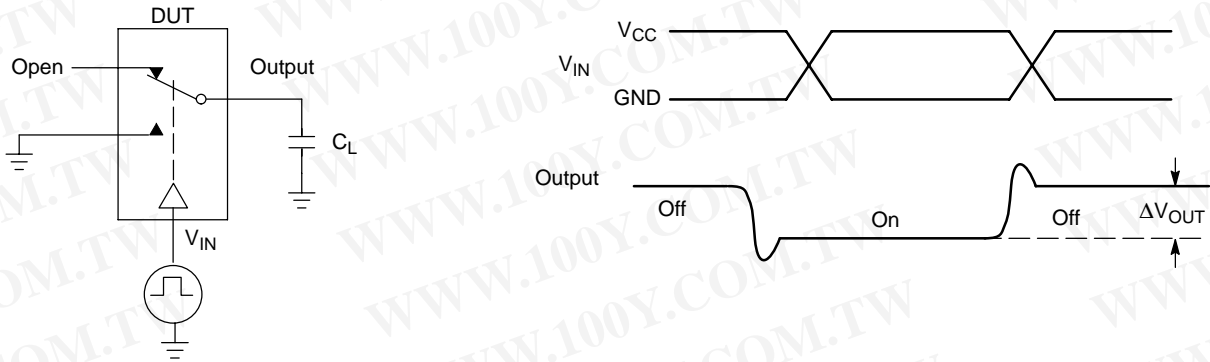


Figure 6. Charge Injection: (Q)

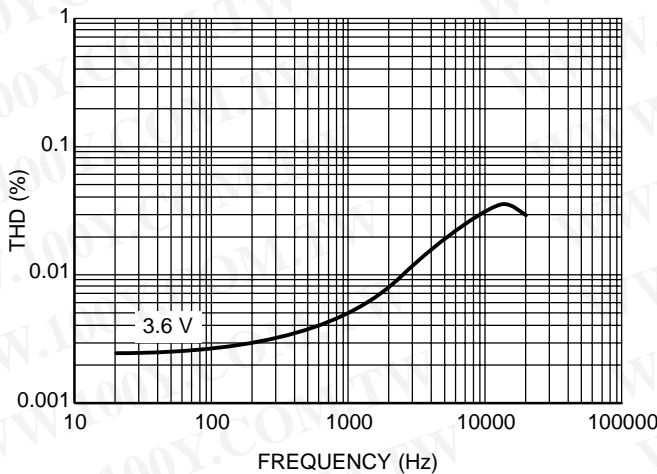


Figure 7. Total Harmonic Distortion Plus Noise Versus Frequency

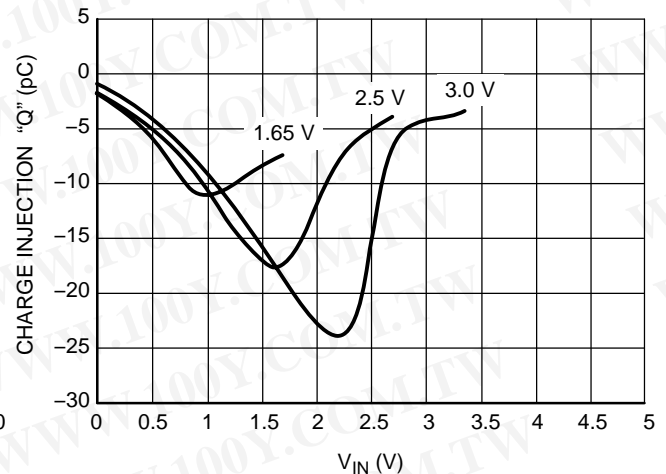


Figure 8. Charge Injection versus  $V_{is}$

# NLAS3699B

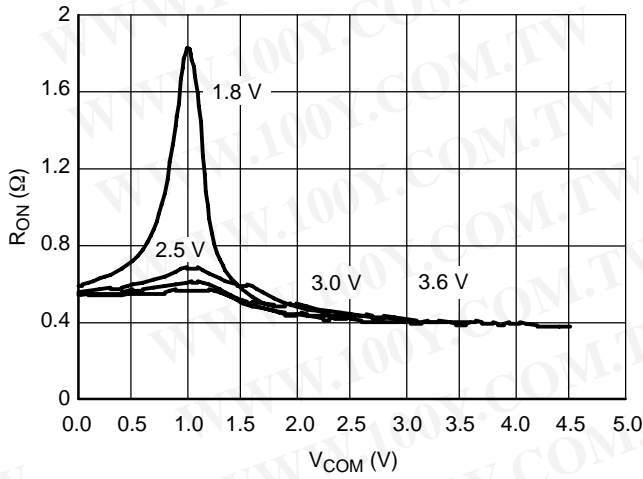


Figure 9. On-Resistance vs. COM Voltage

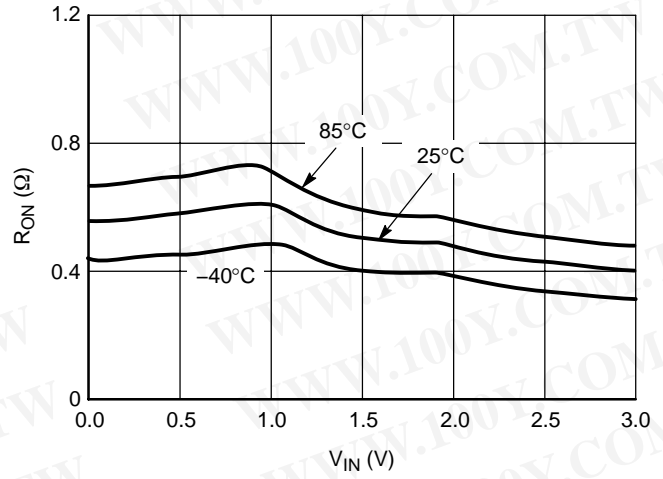


Figure 10.  $R_{ON}$  vs.  $V_{IN}$  vs. Temperature @  $V_{CC} = 3.0$  V

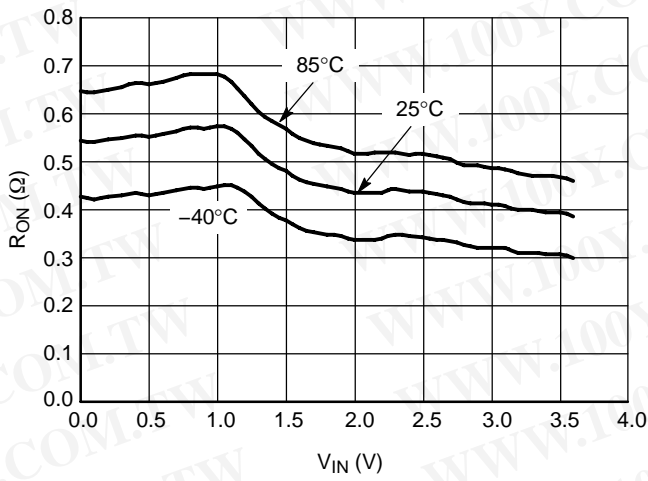


Figure 11.  $R_{ON}$  vs.  $V_{IN}$  vs. Temperature @  $V_{CC} = 3.6$  V

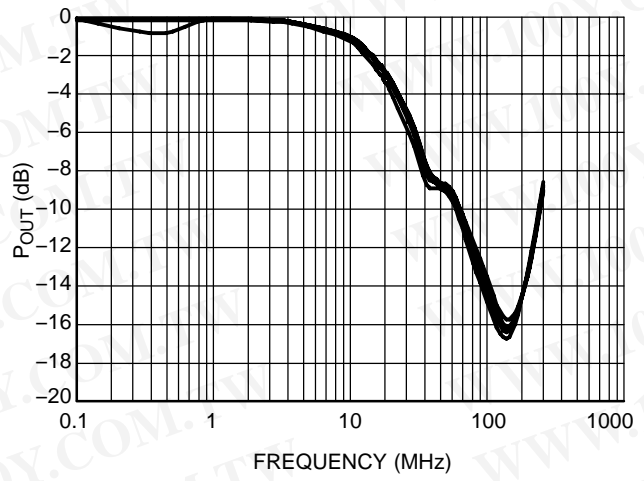


Figure 12. Bandwidth vs. Frequency @  $V_{CC} = 1.65$  V to 3.6 V

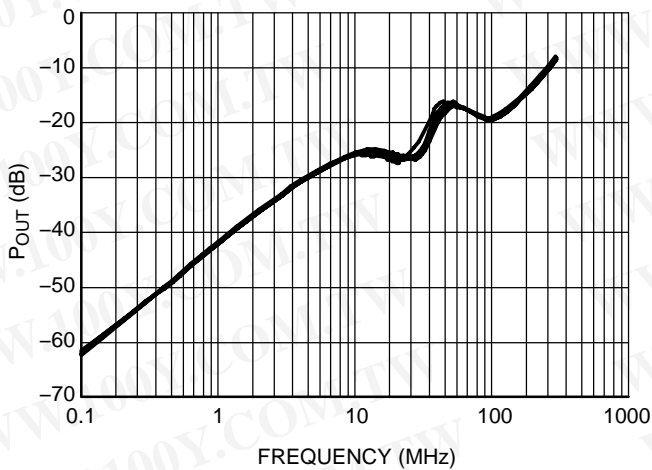


Figure 13. Off-Isolation vs. Frequency @  $V_{CC} = 1.65$  V to 3.6 V

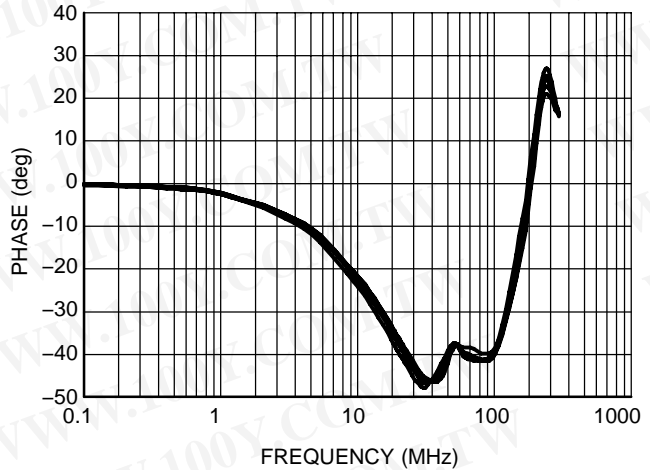


Figure 14. Phase Angle vs. Frequency @  $V_{CC} = 1.65$  V to 3.6 V

# NLAS3699B

## DEVICE ORDERING INFORMATION

| Device Order Number | Device Nomenclature |            |                 |                |                    | Package Type  | Tape & Reel Size† |
|---------------------|---------------------|------------|-----------------|----------------|--------------------|---------------|-------------------|
|                     | Circuit Indicator   | Technology | Device Function | Package Suffix | Tape & Reel Suffix |               |                   |
| NLAS3699BMN1R2G     | NL                  | AS         | 3699B           | MN1            | R2G                | QFN (Pb-Free) | 3000 Unit / Reel  |

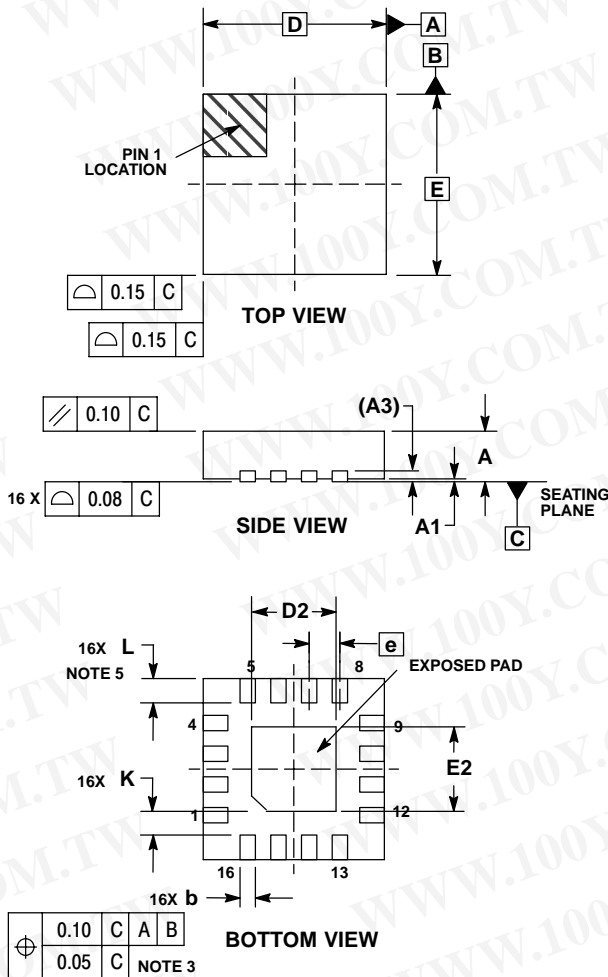
†For information on tape and reel specifications, including part orientation and tape sizes, please refer to our Tape and Reel Packaging Specifications Brochure, BRD8011/D.

勝特力材料 886-3-5753170  
勝特力电子(上海) 86-21-34970699  
勝特力电子(深圳) 86-755-83298787  
[Http://www.100y.com.tw](http://www.100y.com.tw)

# NLAS3699B

## PACKAGE DIMENSIONS

QFN-16 (3 x 3 x 0.85 mm)  
CASE 485AE-01  
ISSUE 0



### NOTES:

1. DIMENSIONING AND TOLERANCING PER ASME Y14.5M, 1994.
2. CONTROLLING DIMENSION: MILLIMETERS.
3. DIMENSION b APPLIES TO PLATED TERMINAL AND IS MEASURED BETWEEN 0.25 AND 0.30 MM FROM TERMINAL.
4. COPLANARITY APPLIES TO THE EXPOSED PAD AS WELL AS THE TERMINALS.
5. OUTLINE MEETS JEDEC DIMENSIONS PER MO-220, VARIATION VEED-6.

| DIM | MILLIMETERS |       |       |
|-----|-------------|-------|-------|
|     | MIN         | NOM   | MAX   |
| A   | 0.800       | 0.900 | 1.000 |
| A1  | 0.000       | 0.025 | 0.050 |
| A3  | 0.200 REF   |       |       |
| b   | 0.180       | 0.250 | 0.300 |
| D   | 3.00 BSC    |       |       |
| D2  | 1.250       | 1.40  | 1.550 |
| E   | 3.00 BSC    |       |       |
| E2  | 1.250       | 1.40  | 1.550 |
| e   | 0.500 BSC   |       |       |
| K   | 0.200       | ---   | ---   |
| L   | 0.300       | 0.400 | 0.500 |

勝特力材料 886-3-5753170  
 勝特力电子(上海) 86-21-34970699  
 勝特力电子(深圳) 86-755-83298787  
[Http://www.100y.com.tw](http://www.100y.com.tw)

ON Semiconductor and are registered trademarks of Semiconductor Components Industries, LLC (SCILLC). SCILLC reserves the right to make changes without further notice to any products herein. SCILLC makes no warranty, representation or guarantee regarding the suitability of its products for any particular purpose, nor does SCILLC assume any liability arising out of the application or use of any product or circuit, and specifically disclaims any and all liability, including without limitation special, consequential or incidental damages. "Typical" parameters which may be provided in SCILLC data sheets and/or specifications can and do vary in different applications and actual performance may vary over time. All operating parameters, including "Typicals" must be validated for each customer application by customer's technical experts. SCILLC does not convey any license under its patent rights nor the rights of others. SCILLC products are not designed, intended, or authorized for use as components in systems intended for surgical implant into the body, or other applications intended to support or sustain life, or for any other application in which the failure of the SCILLC product could create a situation where personal injury or death may occur. Should Buyer purchase or use SCILLC products for any such unintended or unauthorized application, Buyer shall indemnify and hold SCILLC and its officers, employees, subsidiaries, affiliates, and distributors harmless against all claims, costs, damages, and expenses, and reasonable attorney fees arising out of, directly or indirectly, any claim of personal injury or death associated with such unintended or unauthorized use, even if such claim alleges that SCILLC was negligent regarding the design or manufacture of the part. SCILLC is an Equal Opportunity/Affirmative Action Employer. This literature is subject to all applicable copyright laws and is not for resale in any manner.

### PUBLICATION ORDERING INFORMATION

**LITERATURE FULFILLMENT:**  
 Literature Distribution Center for ON Semiconductor  
 P.O. Box 61312, Phoenix, Arizona 85082-1312 USA  
**Phone:** 480-829-7710 or 800-344-3860 Toll Free USA/Canada  
**Fax:** 480-829-7709 or 800-344-3867 Toll Free USA/Canada  
**Email:** orderlit@onsemi.com

**N. American Technical Support:** 800-282-9855 Toll Free  
 USA/Canada

**Japan:** ON Semiconductor, Japan Customer Focus Center  
 2-9-1 Kamimeguro, Meguro-ku, Tokyo, Japan 153-0051  
**Phone:** 81-3-5773-3850

**ON Semiconductor Website:** <http://onsemi.com>

**Order Literature:** <http://www.onsemi.com/litorder>

For additional information, please contact your local Sales Representative.

NLAS3699B/D