

## FSA4157 • FSA4157A

### Low Voltage 1 Ω SPDT Analog Switch

#### General Description

FSA4157 and FSA4157A are high performance Single Pole/Double Throw (SPDT) analog switches. Both devices feature ultra low  $R_{ON}$  of 1.15 Ω maximum at 4.5V  $V_{CC}$  and will operate over the wide  $V_{CC}$  range of 1.65V to 5.5V for FSA4157, and 2.7V to 5.5V for FSA4157A. The device is fabricated with sub-micron CMOS technology to achieve fast switching speeds and is designed for break-before-make operation. The select input is TTL level compatible.

The FSA4157A features very low quiescent current even when the control voltage is lower than the  $V_{CC}$  supply. This feature services the mobile handset applications very well allowing for the direct interface with baseband processor general purpose I/Os.

#### Features

- FSA4157A features lower  $I_{CC}$  when the S input is lower than  $V_{CC}$
- Maximum 1.15 Ω On Resistance ( $R_{ON}$ ) at 4.5V  $V_{CC}$
- 0.3 Ω max  $R_{ON}$  flatness at 4.5V  $V_{CC}$
- Space saving MicroPak™ and SC70 6-lead surface mount packages
- Broad  $V_{CC}$  operating range:
  - FSA4157: 1.65V to 5.5V
  - FSA4157A: 2.7V to 5.5V
- Fast turn-on and turn-off time
- Break-before-make enable circuitry
- Over-voltage tolerant TTL compatible control circuitry

#### Ordering Code:

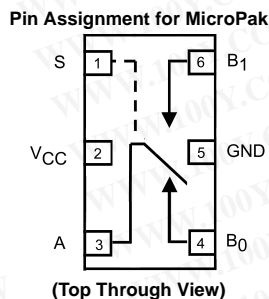
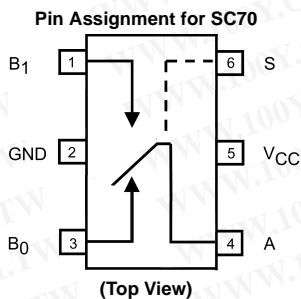
Order Number	Package Number	Product Code Top Mark	Package Description	Supplied As
FSA4157P6	MAA06A	A57	6-Lead SC70, EIAJ SC88, 1.25mm Wide	250 Units on Tape and Reel
FSA4157P6X	MAA06A	A57	6-Lead SC70, EIAJ SC88, 1.25mm Wide	3k Units on Tape and Reel
FSA4157P6X_NL (Note 1)	MAA06A	A57	6-Lead SC70, EIAJ SC88, 1.25mm Wide	3k Units on Tape and Reel
FSA4157L6X	MAC06A	EG	6-Lead MicroPak, 1.0mm Wide	5k Units on Tape and Reel
FSA4157AP6	MAA06A	B57	6-Lead SC70, EIAJ SC88, 1.25mm Wide	250 Units on Tape and Reel
FSA4157AP6X	MAA06A	B57	6-Lead SC70, EIAJ SC88, 1.25mm Wide	3k Units on Tape and Reel
FSA4157AL6X	MAC06A	EU	6-Lead MicroPak, 1.0mm Wide	5k Units on Tape and Reel

**Note 1:** "\_NL" indicates lead-free package (per JEDEC J-STD-020B). Device available in Tape and Reel only.

勝特力材料 886-3-5753170  
 勝特力电子(上海) 86-21-54151736  
 勝特力电子(深圳) 86-755-83298787  
[Http://www.100y.com.tw](http://www.100y.com.tw)

MicroPak™ is a trademark of Fairchild Semiconductor Corporation.

### Analog Symbols



### Truth Table

Control Input (S)	Function
L	B <sub>0</sub> Connected to A
H	B <sub>1</sub> Connected to A

H = HIGH Logic Level  
L = LOW Logic Level

### Pin Descriptions

Pin Name	Description
A, B <sub>0</sub> , B <sub>1</sub>	Data Ports
S	Control Input

勝特力材料 886-3-5753170  
 勝特力电子(上海) 86-21-54151736  
 勝特力电子(深圳) 86-755-83298787  
[Http://www.100y.com.tw](http://www.100y.com.tw)

### Absolute Maximum Ratings (Note 2)

Supply Voltage ( $V_{CC}$ )	-0.5V to +6.0V
DC Switch Voltage (Note 3)	-0.5V to $V_{CC}$ +0.5V
DC Input Voltage ( $V_{IN}$ ) (Note 3)	-0.5V to +6.0V
DC Input Diode Current	-50 mA
Switch Current	200 mA
Peak Switch Current (Pulse at 1 ms duration, <10% Duty Cycle)	400 mA
Power Dissipation ( $P_D$ ) @ 85°C	
SC70 6L Package	180 mW
MicroPak 6L Package	180 mW
Storage Temperature Range ( $T_{STG}$ )	-65°C to +150°C
Maximum Junction Temperature ( $T_J$ )	+150°C
Lead Temperature ( $T_L$ ) (Soldering, 10 seconds)	+260°C
ESD (Human Body Model) FSA4157A	7500V

### Recommended Operating Conditions (Note 4)

Supply Voltage ( $V_{CC}$ )	1.65V to 5.5V
FSA4157	2.7V to 5.5V
FSA4157A	
Control Input Voltage	0V to $V_{CC}$
Switch Input Voltage	0V to $V_{CC}$
Operating Temperature	-40°C to 85°C
Thermal Resistance $\theta_{JA}$ in still air	
SC70 6L Package	350°C/W
MicroPak 6L Package	330°C/W (estimated)

**Note 2:** The "Absolute Maximum Ratings" are those values beyond which the safety of the device cannot be guaranteed. The device should not be operated at these limits. The parametric values defined in the Electrical Characteristics tables are not guaranteed at the absolute maximum rating. The "Recommended Operating Conditions" table will define the conditions for actual device operation.

**Note 3:** The input and output negative ratings may be exceeded if the input and output diode current ratings are observed.

**Note 4:** Control input must be held HIGH or LOW and it must not float.

### DC Electrical Characteristics (all typical values are at 25°C unless otherwise specified)

Symbol	Parameter	$V_{CC}$ (V)	$T_A = +25^\circ\text{C}$			$T_A = -40^\circ\text{C to } +85^\circ\text{C}$		Units	Conditions
			Min	Typ	Max	Min	Max		
$V_{IH}$	Input Voltage High	2.7 to 3.6				2.0		V	
		4.5 to 5.5				2.4			
$V_{IL}$	Input Voltage Low	2.7 to 3.6					0.4	V	(FSA4157A Only)
		2.7 to 3.6					0.6		
		4.5 to 5.5					0.8		
$I_{IN}$	Control Input Leakage	2.7 to 3.6				-1.0	1.0	$\mu\text{A}$	$V_{IN} = 0\text{V to } V_{CC}$
		4.5 to 5.5				-1.0	1.0		
$I_{NO(OFF)}$ $I_{NC(OFF)}$	OFF Leakage Current of Port $B_0$ and $B_1$	5.5	-2.0		2.0	-20.0	20.0	nA	A = 1V, 4.5V $B_0$ or $B_1 = 4.5\text{V}, 1\text{V}$
$I_{A(ON)}$	ON Leakage Current of Port A	5.5	-4.0		4.0	-40.0	40.0	nA	A = 1V, 4.5V $B_0$ or $B_1 = 1\text{V}, 4.5\text{V}$ or Floating
$R_{ON}$	Switch ON Resistance (Note 5)	2.7		2.6	4.0		4.3	$\Omega$	$I_{OUT} = 100\text{mA}, B_0$ or $B_1 = 1.5\text{V}$ $I_{OUT} = 100\text{mA}, B_0$ or $B_1 = 3.5\text{V}$
		4.5		0.95	1.15		1.3		
$\Delta R_{ON}$	On Resistance Matching Between Channels (Note 6)	4.5		0.06	0.12		0.15	$\Omega$	$I_{OUT} = 100\text{mA}, B_0$ or $B_1 = 1.5\text{V}$
$R_{FLAT(ON)}$	On Resistance Flatness (Note 7)	2.7		1.4				$\Omega$	$I_{OUT} = 100\text{mA},$ $B_0$ or $B_1 = 0\text{V}, 0.75\text{V}, 1.5\text{V}$ $I_{OUT} = 100\text{mA}, B_0$ or $B_1 = 0\text{V}, 1\text{V}, 2\text{V}$
		4.5		0.2	0.3		0.4		
$I_{CC}$	Quiescent Supply Current	3.6		0.1	0.5		1.0	$\mu\text{A}$	$V_{IN} = 0\text{V or } V_{CC}, I_{OUT} = 0\text{V}$ $V_{IN} = 0\text{V or } V_{CC}, I_{OUT} = 0\text{V}$
		5.5		0.1	0.5		1.0		
$\Delta I_{CC}$	Increase in $I_{CC}$ per Input	4.3		0.2			10.0	$\mu\text{A}$	One Input at 2.7V, others at $V_{CC}$ or GND (FSA4157A only)

**Note 5:** Measured by the voltage drop between A and B pins at the indicated current through the switch. On Resistance is determined by the lower of the voltage on the two (A or B Ports).

**Note 6:**  $\Delta R_{ON} = R_{ON\ max} - R_{ON\ min}$  measured at identical  $V_{CC}$ , temperature and voltage.

**Note 7:** Flatness is defined as the difference between the maximum and minimum value of On Resistance over the specified range of conditions.

### AC Electrical Characteristics (all typical value are at 25°C unless otherwise specified)

Symbol	Parameter	V <sub>CC</sub> (V)	T <sub>A</sub> = +25 °C			T <sub>A</sub> = -40°C to +85°C		Units	Conditions	Figure Number
			Min	Typ	Max	Min	Max			
t <sub>ON</sub>	Turn ON Time	2.7 to 3.6			60.0		65.0	ns	B <sub>0</sub> or B <sub>1</sub> = 1.5V, R <sub>L</sub> = 50Ω, C <sub>L</sub> = 35 pF (FSA4157A only)	Figure 3
		2.7 to 3.6			50.0		60.0			
		4.5 to 5.5			35.0		40.0			
t <sub>OFF</sub>	Turn OFF Time	2.7 to 3.6			20.0		30.0	ns	B <sub>0</sub> or B <sub>1</sub> = 1.5V, R <sub>L</sub> = 50Ω, C <sub>L</sub> = 35 pF	Figure 3
		4.5 to 5.5			15.0		20.0			
t <sub>B-M</sub>	Break Before Make Time	2.7 to 3.6						ns	(FSA4157A only)	Figure 4
		4.5 to 5.5		20.0						
		4.5 to 5.5		25.0						
Q	Charge Injection	2.7 to 3.6		10.0				pC	C <sub>L</sub> = 1.0nF, V <sub>GE</sub> = 0V, R <sub>GEN</sub> = 0Ω	Figure 6
		4.5 to 5.5		20.0						
OIRR	OFF- Isolation	2.7 to 3.6		-70.0				dB	f = 1MHz, R <sub>L</sub> = 50Ω	Figure 5
		4.5 to 5.5		-70.0						
Xtalk	Crosstalk	2.7 to 3.6		-70.0				dB	f = 1MHz, R <sub>L</sub> = 50Ω	Figure 5
		4.5 to 5.5		-70.0						
BW	-3db Bandwidth	2.7 to 3.6		350				MHz	R <sub>L</sub> = 50Ω	Figure 8
		4.5 to 5.5		350						
THD	Total Harmonic Distortion	2.7 to 3.6		0.002				%	R <sub>L</sub> = 600Ω, V <sub>IN</sub> = 0.5V P.P, f = 20 Hz to 20 k Hz	Figure 9
		4.5 to 5.5		0.002						

### Capacitance

Symbol	Parameter	V <sub>CC</sub> (V)	T <sub>A</sub> = +25°C			T <sub>A</sub> = 40°C to +85°C		Units	Conditions	Figure Number
			Min	Typ	Max	Min	Max			
C <sub>IN</sub>	Control Pin Input Capacitance	0		3.5				pF	f = 1MHz	Figure 7
C <sub>OFF</sub>	B Port OFF Capacitance	4.5		12.0				pF	f = 1MHz	Figure 7
C <sub>ON</sub>	On Capacitance	4.5		40.0				pF	f = 1MHz	Figure 7

**勝特力材料 886-3-5753170**  
**勝特力电子(上海) 86-21-54151736**  
**勝特力电子(深圳) 86-755-83298787**  
[Http://www.100y.com.tw](http://www.100y.com.tw)

勝特力材料 886-3-5753170  
 胜特力电子(上海) 86-21-54151736  
 胜特力电子(深圳) 86-755-83298787  
[Http://www.100y.com.tw](http://www.100y.com.tw)

FSA4157 • FSA4157A

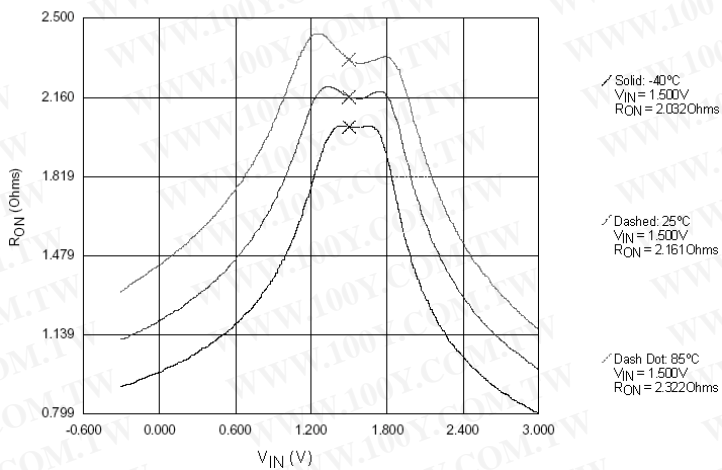


FIGURE 1.  $R_{ON}$  Switch On Resistance,  $I_{ON} = 100mA$ ,  $V_{CC} = 2.7V$

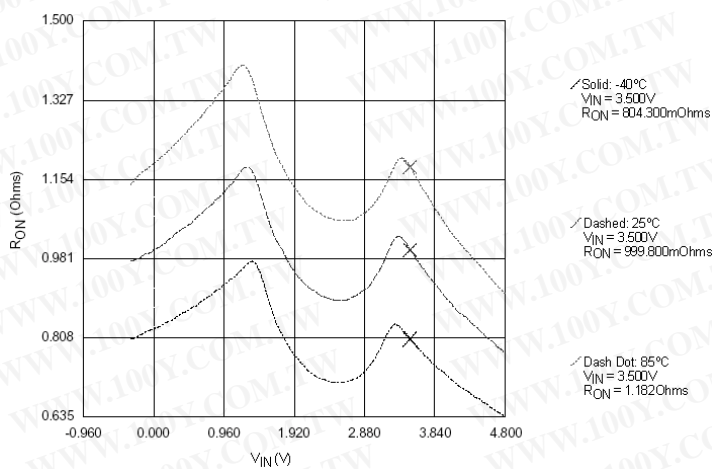


FIGURE 2.  $R_{ON}$  Switch On Resistance,  $I_{ON} = 100mA$ ,  $V_{CC} = 4.5V$

### AC Loading and Waveforms

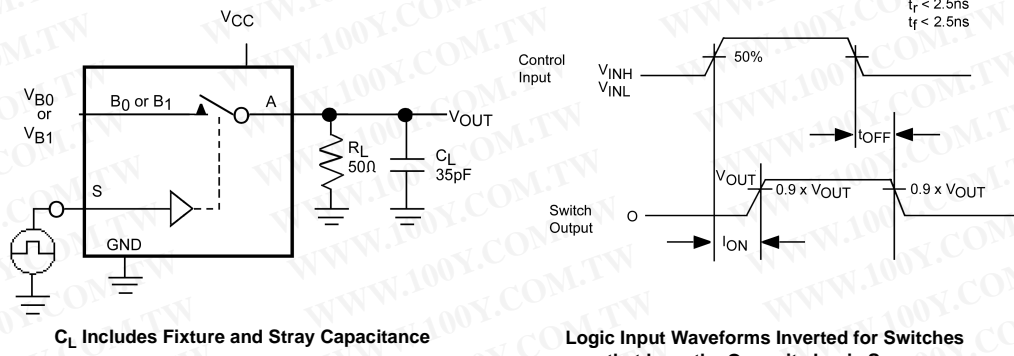


FIGURE 3. Turn ON/OFF Timing

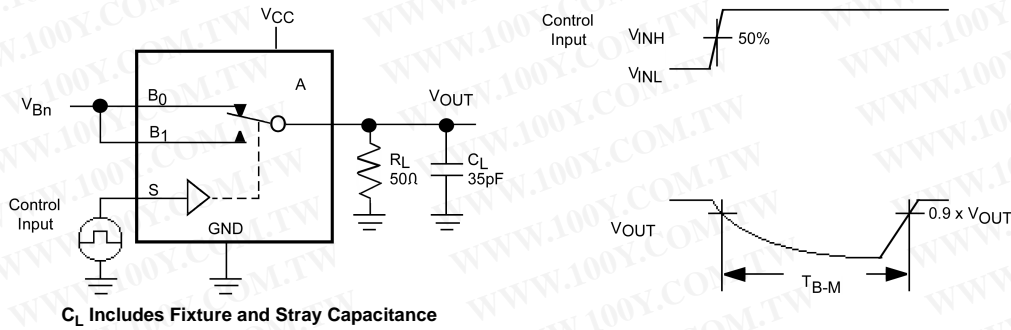


FIGURE 4. Break Before Make Timing

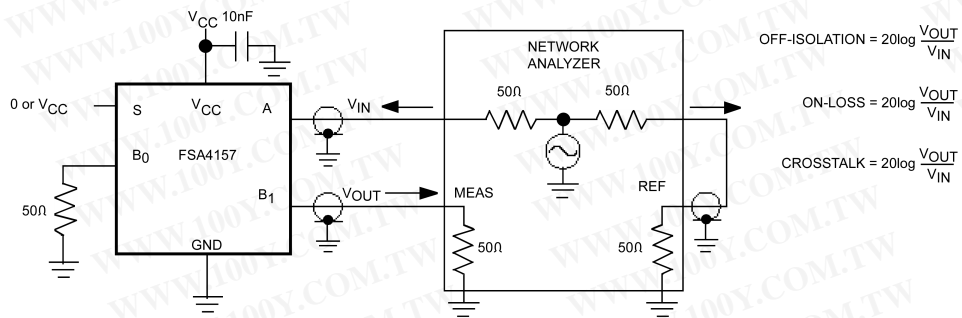
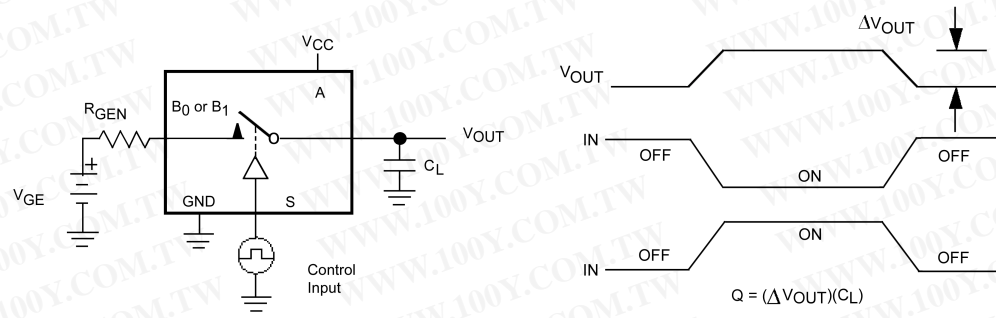
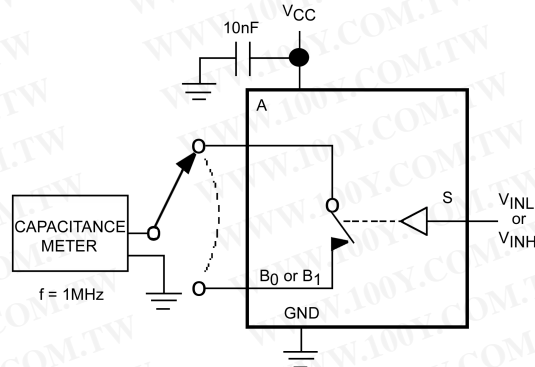


FIGURE 5. OFF Isolation and Crosstalk

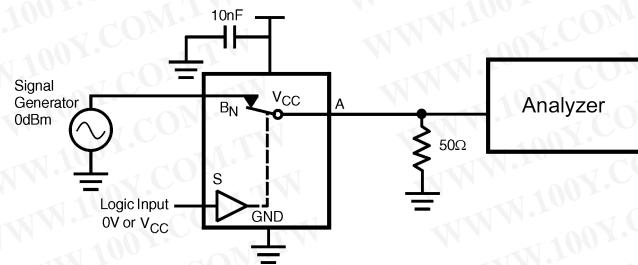
**AC Loading and Waveforms** (Continued)



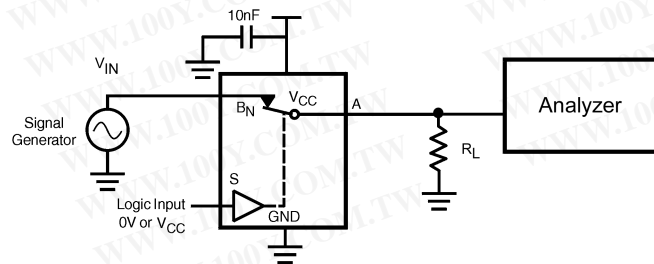
**FIGURE 6. Charge Injection**



**FIGURE 7. ON/OFF Capacitance Measurement Setup**



**FIGURE 8. Bandwidth**



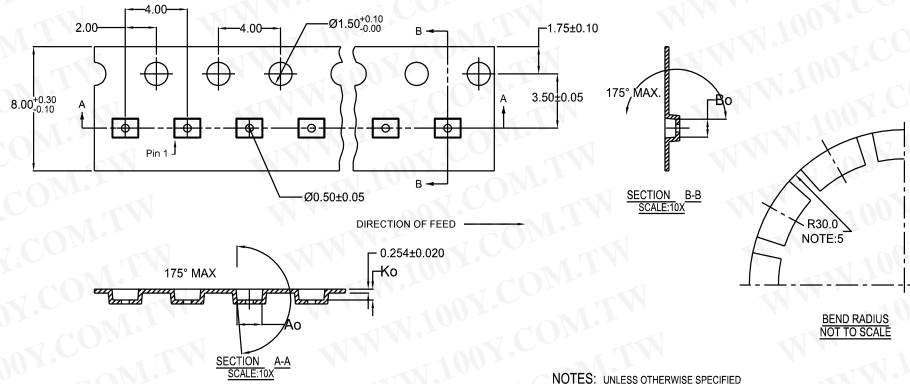
**FIGURE 9. Harmonic Distortion**

FSA4157 • FSA4157A

## Tape and Reel Specification

Tape Format For Micropak 6

Package Designator	Tape Section	Number Cavities	Cavity Status	Cover Tape Status
L6X	Leader (Start End)	125 (typ)	Empty	Sealed
	Carrier	5000	Filled	Sealed
	Trailer (Hub End)	75 (typ)	Empty	Sealed



10	300056	2.30±0.05	1.78±0.05	0.68±0.05
8	300038	1.78±0.05	1.78±0.05	0.68±0.05
6	300033	1.60±0.05	1.15±0.05	0.70±0.05

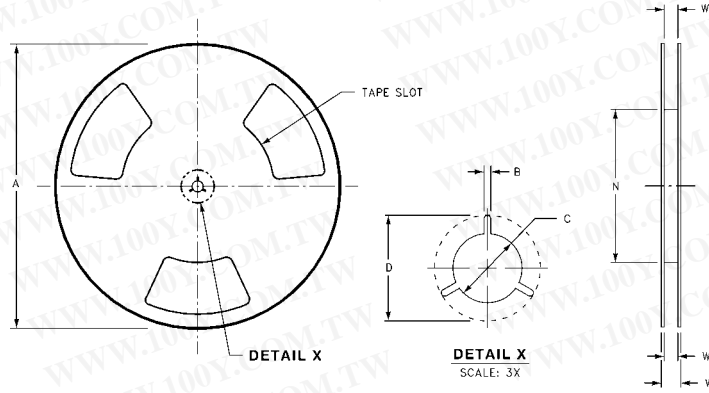
NOTES: UNLESS OTHERWISE SPECIFIED

1. ACCUMULATED 50 SPROCKETS, SPROCKET HOLE PITCH IS 200.00 ±0.30MM
2. NO INDICATED CORNER RADIUS IS 0.127MM
3. CAMBER NOT TO EXCEED 1MM IN 100MM
4. SMALLEST ALLOWABLE BENDING RADIUS
5. POCKET POSITION RELATIVE TO SPROCKET HOLE MEASURED AS TRUE POSITION OF POCKET, NOT POCKET HOLE



SCALE: 6X

### REEL DIMENSIONS inches (millimeters)



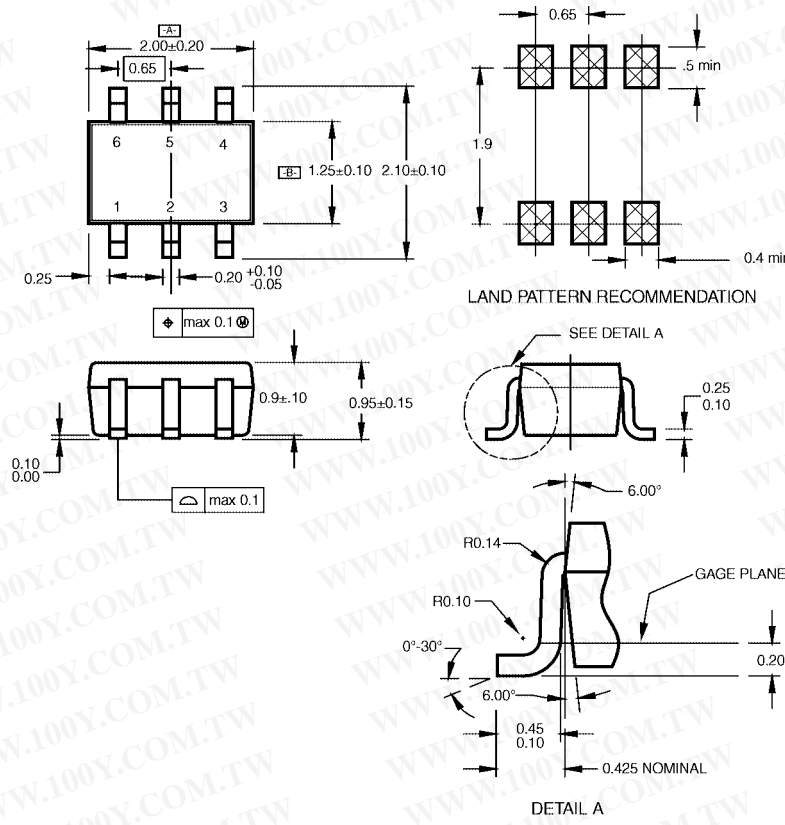
Tape Size	A	B	C	D	N	W1	W2	W3
8 mm	7.0 (177.8)	0.059 (1.50)	0.512 (13.00)	0.795 (20.20)	2.165 (55.00)	0.331 + 0.059/-0.000 (8.40 + 1.50/-0.00)	0.567 (14.40)	W1 + 0.078/-0.039 (W1 + 2.00/-1.00)



勝特力材料 886-3-5753170  
 勝特力电子(上海) 86-21-54151736  
 勝特力电子(深圳) 86-755-83298787  
 Http://www.100y.com.tw

FSA4157 • FSA4157A

**Physical Dimensions** inches (millimeters) unless otherwise noted



LAND PATTERN RECOMMENDATION

SEE DETAIL A

DETAIL A

- NOTES:
- A. CONFORMS TO EIAJ REGISTERED OUTLINE DRAWING SC88.
  - B. DIMENSIONS DO NOT INCLUDE BURRS OR MOLD FLASH.
  - C. DIMENSIONS ARE IN MILLIMETERS.

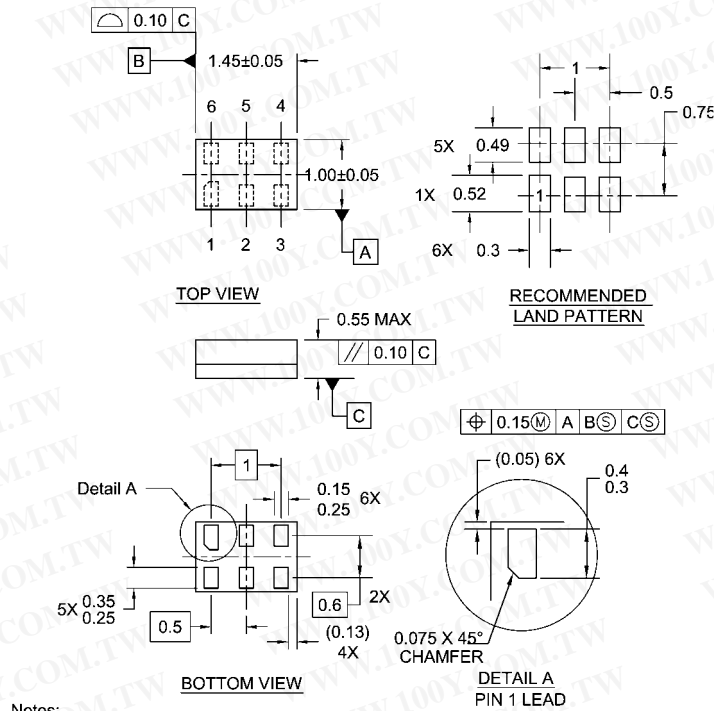
MAA06ARevC

**6-Lead SC70, EIAJ SC88, 1.25mm Wide**  
**Package Number MAA06A**

勝特力材料 886-3-5753170  
 勝特力电子(上海) 86-21-54151736  
 勝特力电子(深圳) 86-755-83298787  
[Http://www.100y.com.tw](http://www.100y.com.tw)

FSA4157 • FSA4157A Low Voltage 1 Ω SPDT Analog Switch

**Physical Dimensions** inches (millimeters) unless otherwise noted (Continued)



- Notes:
1. JEDEC PACKAGE REGISTRATION IS ANTICIPATED
  2. DIMENSIONS ARE IN MILLIMETERS
  3. DRAWING CONFORMS TO ASME Y14.5M-1994

MAC06ARevB

**6-Lead MicroPak, 1.0mm Wide  
Package Number MAC06A**

**Technology Description**

The Fairchild Switch family derives from and embodies Fairchild's proven switch technology used for several years in its 74LVX3L384 (FST3384) bus switch product.

Fairchild does not assume any responsibility for use of any circuitry described, no circuit patent licenses are implied and Fairchild reserves the right at any time without notice to change said circuitry and specifications.

**LIFE SUPPORT POLICY**

FAIRCHILD'S PRODUCTS ARE NOT AUTHORIZED FOR USE AS CRITICAL COMPONENTS IN LIFE SUPPORT DEVICES OR SYSTEMS WITHOUT THE EXPRESS WRITTEN APPROVAL OF THE PRESIDENT OF FAIRCHILD SEMICONDUCTOR CORPORATION. As used herein:

1. Life support devices or systems are devices or systems which, (a) are intended for surgical implant into the body, or (b) support or sustain life, and (c) whose failure to perform when properly used in accordance with instructions for use provided in the labeling, can be reasonably expected to result in a significant injury to the user.
2. A critical component in any component of a life support device or system whose failure to perform can be reasonably expected to cause the failure of the life support device or system, or to affect its safety or effectiveness.

[www.fairchildsemi.com](http://www.fairchildsemi.com)