

# 3M™ Round, Shielded/Jacketed, Flat Cable

.050" 28 AWG Stranded, Mass Terminatable, PVC/PVC

3659 Series




- Round construction permits easier routing
- 28 AWG wire on .050 inch pitch permits mass termination to broad line of IDC connectors
- Continuous split/bond repeat allows for mass termination on 2.4 inch centers (approximate)
- Primary cable is zippable for branching or discrete terminations
- Meets external wiring requirements of National Electrical Code, Article 725 (CL2)
- UL listed for USA and Canadian markets
- Dual shielding provides 35 db average shielding effectiveness
- RoHS\* Compliant

Date Modified: April 13, 2007

TS-0083-18  
Sheet 1 of 2

## Physical

<b>Jaket Material:</b>	Polyvinyl Chloride (PVC)
Color:	Black
<b>Primary Material:</b>	PVC
Color:	Gray
<b>Marking Standard:</b>	(UL) CL2 75C 28 AWG or AWM 20267 3M NU  AWM IIA/B 80C 300V FT1 EU <50V
<b>Conductors:</b>	28 AWG, 7 x 36 AWG [ 7 x Ø 0.127 ] Tinned Stranded Copper
<b>Shielding:</b>	0.001 [ 0.03 ] Thick Aluminum/Polyester Film Foil and 90% Coverage Tinned Copper Braid

勝特力材料 886-3-5753170  
勝特力电子(上海) 86-21-54151736  
勝特力电子(深圳) 86-755-83298787  
[Http://www.100y.com.tw](http://www.100y.com.tw)

## Electrical

<b>Voltage Rating:</b>	USA: N.E.C. 725, CL2 or AWM; 300V	Canada: 300V	EU: <50V
<b>Insulation Resistance:</b>	> 1 × 10 <sup>10</sup> Ω/10 ft. [ 3m ]		
	<b>Unbalanced</b>	<b>Balanced</b>	
<b>Characteristic Impedance:</b>	62 Ω	106 Ω	
<b>Capacitance:</b>	27.7 pF/ft [ 90.88 pF/m ]	15.2 pF/ft [ 49.9 pF/m ]	
<b>Inductance:</b>	0.11 μH/ft [ 0.35 μH/m ]	0.17 μH/ft [ 0.57 μH/m ]	
<b>Propagation Delay:</b>	1.72 ns/ft [ 5.64 ns/m ]	1.62 ns/ft [ 5.31 ns/m ]	
<b>Velocity of Propagation:</b>	59%	62%	

Note: Unbalanced is measured between ground-signal-ground conductors with shield grounded.  
Balanced is measured between signal conductors within a pair, with the shield floating.

## Environmental

<b>Temperature Rating:</b>	USA: -20° C to +105° C	Canada: -20° C to +80° C
<b>Flammability Rating:</b>	USA: VW-1	Canada: FT1

\*\*RoHS Compliant 2005/95/EC" means that the product or part ("Product") does not contain any of the substances in excess of the maximum concentration values in EU Directive 2002/95/EC, as amended by Commission Decision 2005/618/EC, unless the substance is in an application that is exempt under EU RoHS. This information represents 3M's knowledge and belief, which may be based in whole or in part on information provided by third party suppliers to 3M.

In the event any product is proven not to conform with 3M's Regulatory Information Appendix, then 3M's entire liability and Buyer's exclusive will be in accordance with the Warranty stated below.

UL File No.: E118773, Power Limited Circuit Cable: CL2 (or AWM Style 20267)

**3M**

Interconnect Solutions

<http://www.3M.com/interconnects/>

3M is a trademark of 3M Company.

For technical, sales or ordering information call

800-225-5373

# 3M™ Round, Shielded/Jacketed, Flat Cable

.050" 28 AWG Stranded, Mass Terminatable, PVC/PVC

3659 Series



Inch  
[mm]

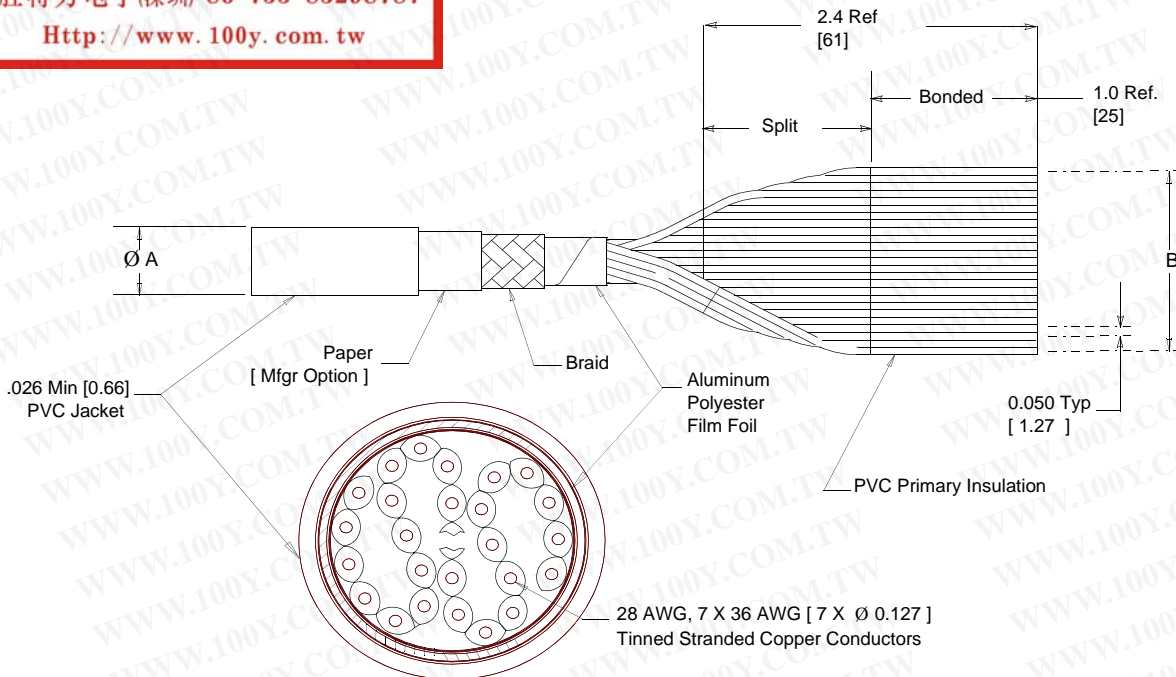
Tolerance Unless Noted			
	.0	.00	.000
Inch	±.1	±.05	±.010

[ ] Dimensions for Reference only

Number of Conductors	3M Part Number	Diameter A	Dimension B Ref (See Note 2)
09	3659/09	0.27 [ 6.9 ]	0.40 [ 10.2 ]
10	3659/10	0.27 [ 6.9 ]	0.45 [ 11.4 ]
14	3659/14	0.31 [ 7.9 ]	0.65 [ 16.5 ]
15	3659/15	0.31 [ 7.9 ]	0.70 [ 17.8 ]
16	3659/16	0.31 [ 7.9 ]	0.75 [ 19.1 ]
20	3659/20	0.34 [ 8.6 ]	0.95 [ 24.1 ]
24	3659/24	0.37 [ 9.4 ]	1.15 [ 29.2 ]
25	3659/25	0.37 [ 9.4 ]	1.20 [ 30.5 ]
26	3659/26	0.37 [ 9.4 ]	1.25 [ 31.8 ]
34	3659/34	0.41 [ 10.4 ]	1.65 [ 41.9 ]
36	3659/36	0.43 [ 10.9 ]	1.75 [ 44.5 ]
37	3659/37	0.43 [ 10.9 ]	1.80 [ 45.7 ]
40	3659/40	0.43 [ 10.9 ]	1.95 [ 49.5 ]
50	3659/50	0.48 [ 12.2 ]	2.45 [ 62.2 ]
60	3659/60	0.51 [ 13.0 ]	2.95 [ 74.9 ]
64	3659/64	0.54 [ 13.7 ]	3.15 [ 80.0 ]

勝特力材料 886-3-5753170  
 勝特力电子(上海) 86-21-54151736  
 勝特力电子(深圳) 86-755-83298787  
[Http://www.100y.com.tw](http://www.100y.com.tw)

Note: Contact 3M for availability of additional conductor counts.



Notes:

1. Red marking on one edge of primary cable designates wire #1.
2. Dimension B pertains to bonded area only.

## Ordering Information

3659 / XX XX X00 XX

Number of Conductors  
(See Table)

Blank = Standard  
 SF = Splice Free  
 Length of Roll in Feet  
 100 = 100 ft Standard  
 300 = 300 ft Standard

Blank = Standard  
 SO = Continuously Bonded Wire  
 (No Split)

TS-0083-18  
 Sheet 2 of 2

Note: Contact 3M for availability of custom roll lengths.

勝特力材料 886-3-5753170  
勝特力电子(上海) 86-21-54151736  
勝特力电子(深圳) 86-755-83298787  
[Http://www.100y.com.tw](http://www.100y.com.tw)

### Important Notice

All statements, technical information, and recommendations related to 3M's products are based on information believed to be reliable, but the accuracy or completeness is not guaranteed. Before using this product, you must evaluate it and determine if it is suitable for your intended application. You assume all risks and liability associated with such use. Any statements related to the product which are not contained in 3M's current publications, or any contrary statements contained on your purchase order shall have no force or effect unless expressly agreed upon, in writing, by an authorized officer of 3M.



### 3M Electronics

6801 River Place Blvd.  
Austin, TX 78726-9000  
800/225-5373  
[www.3M.com/electronics](http://www.3M.com/electronics)

### Warranty; Limited Remedy; Limited Liability.

This product will be free from defects in material and manufacture for a period of one (1) year from the time of purchase. **3M MAKES NO OTHER WARRANTIES INCLUDING, BUT NOT LIMITED TO, ANY IMPLIED WARRANTY OF MERCHANTABILITY OR FITNESS FOR A PARTICULAR PURPOSE.** If this product is defective within the warranty period stated above, your exclusive remedy shall be, at 3M's option, to replace or repair the 3M product or refund the purchase price of the 3M product. **Except where prohibited by law, 3M will not be liable for any indirect, special, incidental or consequential loss or damage arising from this 3M product, regardless of the legal theory asserted.**



Minimum 10%  
Post-Consumer Fiber

Printed in USA.

© All rights reserved. 3M 2007