

## FM STEREO TRANSMITTER

 Check for Samples: [SN761634](#)

### FEATURES

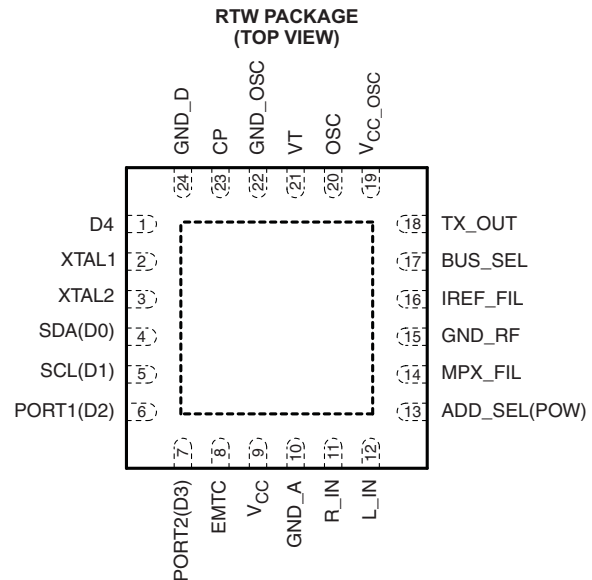
- Single-Chip FM Stereo Transmitter
- Selectable I<sup>2</sup>C/Parallel Control Mode
- V<sub>CC</sub> = 2.5 V to 4 V
- 76-MHz to 108-MHz Transmit Frequency Range
- Selectable -7-, -3-, 1-, 4-dBm Tx High-Power Output
- I<sub>CC</sub> = 12 mA (Depends on Tx Power)
- 32.768-kHz Clock
- 24-Pin Quad Flatpack No Lead (QFN) Package, 4 × 4 mm
- Standby
- Fourth Order 15-kHz Low Pass Filter (LPF)

### APPLICATIONS

- Portable Audio Players
- MP3 Players
- Personal Navigation Devices (PNDs)
- Portable Media Players (PMPs)

### DESCRIPTION

The SN761634 is an FM stereo transmitter IC for portable audio players.

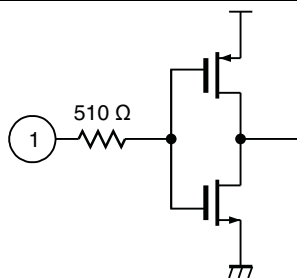
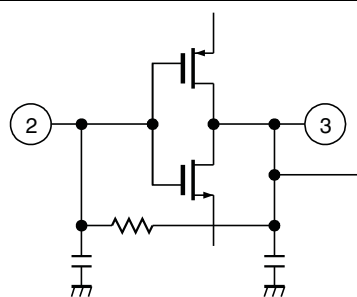
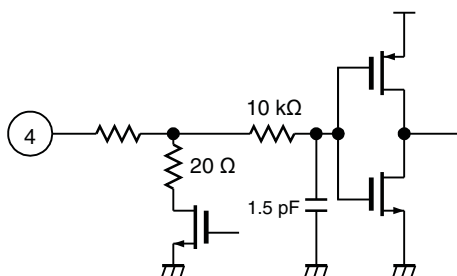
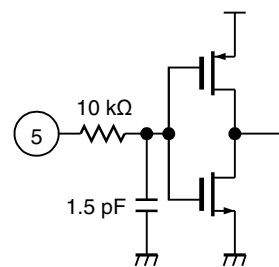


Please be aware that an important notice concerning availability, standard warranty, and use in critical applications of Texas Instruments semiconductor products and disclaimers thereto appears at the end of this data sheet.



**TERMINAL FUNCTIONS**

TERMINAL		DESCRIPTION	SCHEMATIC
NO.	NAME		
1	D4(D4)	To be connected to ground in I <sup>2</sup> C mode / D4 input in parallel mode	<a href="#">Figure 1</a>
2	XTAL1	Crystal oscillator	<a href="#">Figure 2</a>
3	XTAL2	Crystal oscillator	<a href="#">Figure 2</a>
4	SDA(D0)	I <sup>2</sup> C data input/output in I <sup>2</sup> C mode/ D0 input in parallel mode	<a href="#">Figure 3</a>
5	SCL(D1)	I <sup>2</sup> C clock input / D1 input in parallel mode	<a href="#">Figure 4</a>
6	PORT1(D2)	Port 1 output in I <sup>2</sup> C mode / D2 input in parallel mode	<a href="#">Figure 5</a>
7	PORT2(D3)	Port 2 output in I <sup>2</sup> C mode / D3 input in parallel mode	<a href="#">Figure 5</a>
8	EMTC	To be opened in I <sup>2</sup> C mode / EMTC input in parallel mode	<a href="#">Figure 6</a>
9	V <sub>CC</sub>	Power supply	
10	GND_A	Analog ground	
11	R_IN	Audio right input	<a href="#">Figure 7</a>
12	L_IN	Audio left input	<a href="#">Figure 7</a>
13	ADD_SEL(POW)	I <sup>2</sup> C address select in I <sup>2</sup> C mode / TX power select in parallel mode	<a href="#">Figure 8</a>
14	MPX_FIL	MPX PLL filter	<a href="#">Figure 9</a>
15	GND_RF	RF ground	
16	IREF_FIL	Reference current filter	<a href="#">Figure 10</a>
17	BUS_SEL	I <sup>2</sup> C mode / Parallel mode select	<a href="#">Figure 11</a>
18	TX_OUT	Transmitter output	<a href="#">Figure 12</a>
19	V <sub>CC_osc</sub>	Oscillator power supply	
20	OSC	Oscillator input	<a href="#">Figure 13</a>
21	VT	Tuning voltage output	<a href="#">Figure 14</a>
22	GND_OSC	Oscillator ground	
23	CP	Charge pump output	<a href="#">Figure 14</a>
24	GND_D	Digital ground	


**Figure 1. D4**

**Figure 2. XTAL1 and XTAL2**

**Figure 3. SDA(D0)**

**Figure 4. SCL(D1)**

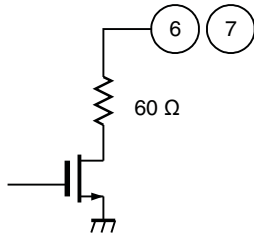


Figure 5. PORT1(D2) and PORT2(D3)

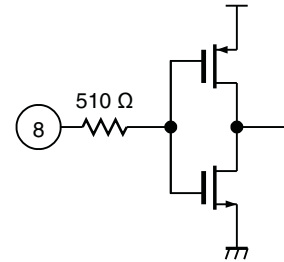


Figure 6. EMTC

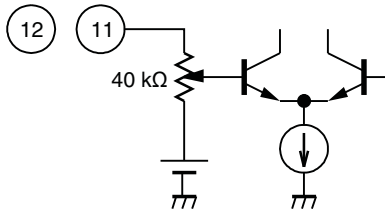


Figure 7. RIN and LIN

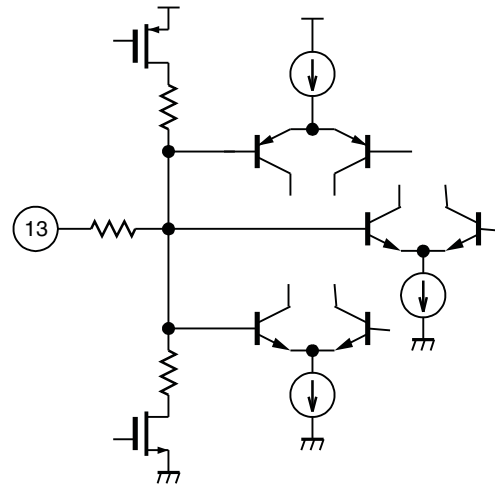


Figure 8. ADD\_SEL(POW)

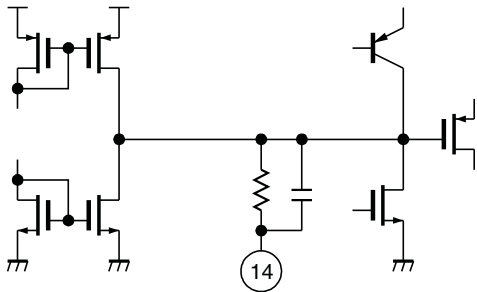


Figure 9. MPX FIL

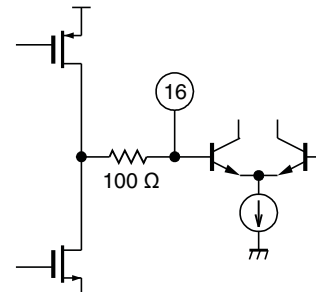


Figure 10. IREF FIL

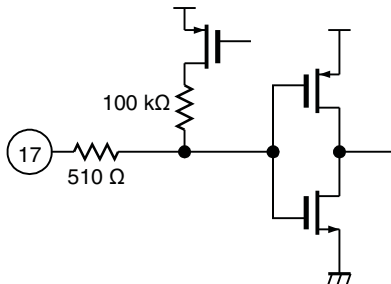


Figure 11. BUS\_SEL

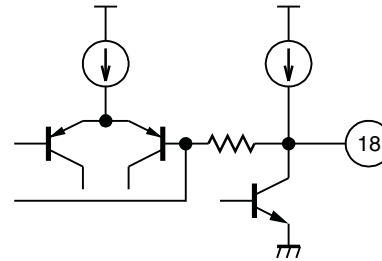
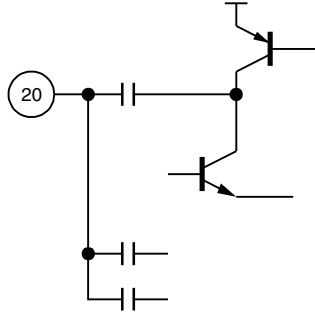
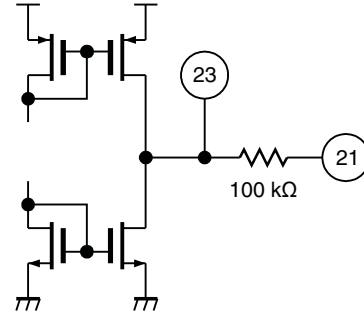


Figure 12. TX\_OUT



**Figure 13. OSC**



**Figure 14. VT and CP**

## ABSOLUTE MAXIMUM RATINGS<sup>(1)</sup>

over recommended operating free-air temperature range (unless otherwise noted)

			MIN	MAX	UNIT
$V_{CC}$	Supply voltage	$V_{CC}, V_{CC\_osc}$	-0.3	6.0	V
$V_{IN}$	Input voltage	Other pins	-0.3	$V_{CC}$	V
$T_A$	Operating free-air temperature range		-20	85	°C
$T_{stg}$	Storage temperature range		-65	150	°C

- (1) Stresses beyond those listed under *Absolute Maximum Ratings* may cause permanent damage to the device. These are stress ratings only, and functional operation of the device at these or any other conditions beyond those indicated under *Recommended Operating Conditions* is not implied. Exposure to absolute-maximum-rated conditions for extended periods may affect device reliability.

## RECOMMENDED OPERATING CONDITIONS

			MIN	TYP	MAX	UNIT
$V_{CC}$	Supply voltage	$V_{CC}, V_{CC\_osc}$	2.5	3	4	V
$T_A$	Operating free-air temperature		-20		85	°C



This integrated circuit can be damaged by ESD. Texas Instruments recommends that all integrated circuits be handled with appropriate precautions. Failure to observe proper handling and installation procedures can cause damage.

ESD damage can range from subtle performance degradation to complete device failure. Precision integrated circuits may be more susceptible to damage because very small parametric changes could cause the device not to meet its published specifications.

## ELECTRICAL CHARACTERISTICS

$V_{CC} = 3\text{ V}$ ,  $T_A = 25^\circ\text{C}$ , RF frequency  $f_{RF} = 98.1\text{ MHz}$ , BAND = 0 (USEU), TXPOW[1:0] = -7 dBm, MODADJ[3:0] = 5 dB (for 98.1 MHz), audio signal frequency  $f_{AF} = 1\text{ kHz}$ , 100% means FM 75 kdev, BW = LPF 30 kHz, measured with typical home hi-fi tuner. (unless otherwise noted)

### Supply Voltages and Currents

PARAMETER	TEST CONDITIONS	MIN	TYP	MAX	UNIT	
$V_{CC}$	Supply voltage	$V_{CC}$ and $V_{CC\_OSC}$ are the same voltage	2.5	3	4	V
$I_{CC\ TX1}$	Tx mode supply current 1	No L_IN, R_IN input, TXPOW[1:0] = 00, $R_{TX} = \text{open}$		13		mA
$I_{CC\ TX2}$	Tx mode supply current 2	No L_IN, R_IN input, TXPOW[1:0] = 00, $R_{TX} = \text{open}$ , DIS AFLPF = 1		12		mA
$I_{CC\ TX3}$	Tx mode supply current 3	No L_IN, R_IN input, TXPOW[1:0] = 10, $R_{TX} = 300\ \Omega$		18		mA
$I_{CC\ TX4}$	Tx mode supply current 4	No L_IN, R_IN input, TXPOW[1:0] = 11, $R_{TX} = 150\ \Omega$		24		mA
$I_{CC\ STBY1}$	Standby current 1	STBY bit = 1 in I <sup>2</sup> C mode		0.1	10	$\mu\text{A}$
$I_{CC\ STBY2}$	Standby current 2	D4, D3, D2, D1, D0 = 0, 0, 0, 0, 0 in parallel mode		0.1	10	$\mu\text{A}$

### Crystal Oscillator

PARAMETER	TEST CONDITIONS	MIN	TYP	MAX	UNIT	
$f_{XTAL}$	Crystal oscillator frequency	Crystal $C_L = 12.5\text{ pF}$		32.768		kHz

### Voltage Controlled Oscillator

PARAMETER	TEST CONDITIONS	MIN	TYP	MAX	UNIT	
$f_{OSC}$	Oscillator frequency range			150	217	MHz

### Synthesizer

PARAMETER	TEST CONDITIONS	MIN	TYP	MAX	UNIT	
N	Programmable counter	14 bit		271	16383	
$f_{REF}$	Reference frequency for phase detector		8.192			kHz
$f_{STEP}$	Tuning frequency step		8.192			kHz
$I_{CP}$	Charge pump current	CP[1:0] = 00		0.6		$\mu\text{A}$
		CP[1:0] = 01		1.25		
		CP[1:0] = 10		2.5		
		CP[1:0] = 11		50		

### RF Power

PARAMETER	TEST CONDITIONS	MIN	TYP	MAX	UNIT	
$V_{TXOUT}$	TX output power	TXPOW[1:0] = 00, $R_{TX} = \text{open}$ , $R_L = 50\ \Omega$		-7		dBm
		TXPOW[1:0] = 01, $R_{TX} = 300\ \Omega$ , $R_L = 50\ \Omega$		-3		
		TXPOW[1:0] = 10, $R_{TX} = 300\ \Omega$ , $R_L = 50\ \Omega$		1		
		TXPOW[1:0] = 11, $R_{TX} = 150\ \Omega$ , $R_L = 50\ \Omega$		4		

**AF Power**

PARAMETER		TEST CONDITIONS	MIN	TYP	MAX	UNIT
AF <sub>ADJ</sub>	AF input level adjust ratio	AFADJ [2:0] = 000		-9		dB
		AFADJ [2:0] = 001		-6		
		AFADJ [2:0] = 010		-3		
		AFADJ [2:0] = 011 (Ref.)		0		
		AFADJ [2:0] = 100		3		
		AFADJ [2:0] = 101		6		
		AFADJ [2:0] = 110		9		
		AFADJ [2:0] = 111		12		
V <sub>IMAX50</sub>	AF maximum input level (pre-emphasis 50 μs)	AFADJ = 0 dB, EMTC = 0, f <sub>s</sub> = 400 Hz, L = R each channel			1000	mVpp
		AFADJ = 0 dB, EMTC = 0, f <sub>s</sub> = 10 kHz, L = R each channel			330	mVpp
V <sub>IMAX75</sub>	AF maximum input level (pre-emphasis 75 μs)	AFADJ = 0 dB, EMTC = 1, f <sub>s</sub> = 400 Hz, L = R each channel			1000	mVpp
		AFADJ = 0 dB, EMTC = 1, f <sub>s</sub> = 10 kHz, L = R each channel			200	mVpp
V <sub>IAF</sub>	AF typical input level for 100% dev	AFADJ = 0 dB, f <sub>s</sub> = 400 Hz, DIS_EM = 0, L = R each channel		250		mVrms
f <sub>IAFR</sub>	Input frequency range		20		15 k	Hz
R <sub>IAF</sub>	AF input impedance			40		kΩ
t <sub>PRE</sub>	Pre-emphasis	EMTC bit = 0		50		μs
		EMTC bit = 1		75		
f <sub>LPF</sub>	AFLPF frequency response	DIS_AFLPF = 0, -3 dB		15		kHz

**Mono Mode**

PARAMETER		TEST CONDITIONS	MIN	TYP	MAX	UNIT
f <sub>O MONO</sub>	Output frequency response	CP = 1.25 μA	20		15 k	Hz
S/N <sub>MONO98</sub>	Mono S/N at 98.1 MHz (100% modulation)	L = R = 250 mVrms, f <sub>AF</sub> = 1 kHz, AFADJ = 0 dB, MODADJ = 5 dB, PLTADJ = off, MONO_ST = 1, RF = 98.1 MHz, BAND = 0		60		dB
THD <sub>MONO98</sub>	Mono THD at 98.1 MHz (30% modulation)	L = R = 75 mVrms, f <sub>AF</sub> = 1 kHz, AFADJ = 0 dB, MODADJ = 5 dB, PLTADJ = off, MONO_ST = 1, RF = 98.1 MHz, BAND = 0		0.5		%
S/N <sub>MONO83</sub>	Mono S/N at 83 MHz (100% modulation)	L = R = 250 mVrms, f <sub>AF</sub> = 1 kHz, AFADJ = 0 dB, MODADJ = 11 dB, PLTADJ = off, MONO_ST = 1, RF = 83.0 MHz, BAND = 1		60		dB
THD <sub>MONO83</sub>	Mono THD at 83 MHz (30% modulation)	L = R = 75 mVrms, f <sub>AF</sub> = 1 kHz, AFADJ = 0 dB, MODADJ = 11 dB, PLTADJ = off, MONO_ST = 1, RF = 83.0 MHz, BAND = 1		0.5		%
ATT <sub>MT MONO</sub>	MUTE attenuation	MUTE bit = 1	50			dB

**Stereo Mode**

PARAMETER		TEST CONDITIONS	MIN	TYP	MAX	UNIT
S/N <sub>ST98</sub>	Stereo S/N at 98.1 MHz Main + sub = 90%, pilot = 10%	L = R = 225 mVrms, $f_{AF} = 1$ kHz, AFADJ = 0 dB, MODADJ = 5 dB, PLTADJ = 0 dB, $f_{RF} = 98.1$ MHz, BAND = 0		55		dB
SEP <sub>ST98</sub>	Stereo separation at 98.1 MHz Main + sub = 30%, pilot = 10%	L or R = 75 mVrms, $f_{AF} = 1$ kHz, AFADJ = 0 dB, PLTADJ = 0 dB, MODADJ = 5 dB, $f_{RF} = 98.1$ MHz, BAND = 0		30		dB
THD <sub>ST98</sub>	Stereo THD at 98.1 MHz Main + sub = 30%, pilot = 10%	L or R = 75 mVrms, $f_{AF} = 1$ kHz, AFADJ = 0 dB, PLTADJ = 0 dB, MODADJ = 5 dB, $f_{RF} = 98.1$ MHz, BAND = 0		1.0		%
S/N <sub>ST83</sub>	Stereo S/N at 83.0 MHz Main + sub = 90%, pilot = 10%	L = R = 225 mVrms, $f_{AF} = 1$ kHz, AFADJ = 0 dB, PLTADJ = 0 dB, MODADJ = 11dB, $f_{RF} = 83.0$ MHz, BAND = 1		55		dB
SEP <sub>ST83</sub>	Stereo separation at 83.0 MHz Main + sub = 30%, pilot = 10%	L or R = 75 mVrms, $f_{AF} = 1$ kHz, AFADJ = 0 dB, MODADJ = 11 dB, PLTADJ = 0 dB, $f_{RF} = 83.0$ MHz, BAND = 1		30		dB
THD <sub>ST83</sub>	Stereo THD at 83.0 MHz Main + sub = 30%, pilot = 10%	L or R = 75 mVrms, $f_{AF} = 1$ kHz, AFADJ = 0 dB, MODADJ = 11 dB, PLTADJ = 0 dB, $f_{RF} = 83.0$ MHz, BAND = 1		1.0		%
DIFF <sub>ST MOD</sub>	Left channel and right channel modulation difference	L = R = 75 mVrms, $f_{AF} = 1$ kHz, AFADJ = 0 dB, MODADJ = 11 dB, PLTADJ = 0 dB, $f_{RF} = 98.1$ MHz, BAND = 1 Lch level Ref.	-1		1	dB

**Modulation**

PARAMETER		TEST CONDITIONS	MIN	TYP	MAX	UNIT
MOD <sub>RA</sub> DJ	Modulation adjust ratio	MODADJ[3:0] = 0000 (Ref.)		0		dB
		MODADJ[3:0] = 0001		1		
		MODADJ[3:0] = 0010		2		
		MODADJ[3:0] = 0011		3		
		MODADJ[3:0] = 0100		4		
		MODADJ[3:0] = 0101		5		
		MODADJ[3:0] = 0110		6		
		MODADJ[3:0] = 0111		7		
		MODADJ[3:0] = 1000		8		
		MODADJ[3:0] = 1001		9		
		MODADJ[3:0] = 1010		10		
		MODADJ[3:0] = 1011		11		
		MODADJ[3:0] = 1100		12		
		MODADJ[3:0] = 1101		13		
		MODADJ[3:0] = 1110		14		
MODADJ[3:0] = 1111		15				
MOD <sub>MONO</sub> 76	TX mono modulation at 76.0 MHz	L = R = 250 mVrms, $f_{AF} = 1$ kHz, AFADJ = 0 dB, PLTADJ = off, MONO_ST = 1, MODADJ = 13 dB, BAND = 1		75		kHzdev
MOD <sub>MONO</sub> 83	TX mono modulation at 83.0 MHz	L = R = 250 mVrms, $f_{AF} = 1$ kHz, AFADJ = 0 dB, PLTADJ = off, MONO_ST = 1, MODADJ = 11 dB, BAND = 1		75		kHzdev
MOD <sub>MONO</sub> 90	TX mono modulation at 90.0 MHz	L = R = 250 mVrms, $f_{AF} = 1$ kHz, AFADJ = 0 dB, PLTADJ = off, MONO_ST = 1, MODADJ = 8 dB, BAND = 1		75		kHzdev
MOD <sub>MONO</sub> 87	TX mono modulation at 87.5 MHz	L = R = 250 mVrms, $f_{AF} = 1$ kHz, AFADJ = 0 dB, PLTADJ = off, MONO_ST = 1, MODADJ = 9 dB, BAND = 0		75		kHzdev

**Modulation (continued)**

PARAMETER		TEST CONDITIONS	MIN	TYP	MAX	UNIT
MOD <sub>MONO98</sub>	TX mono modulation at 98.1 MHz	L = R = 250 mVrms, $f_{AF} = 1$ kHz, AFADJ = 0 dB, PLTADJ = off, MONO_ST = 1, MODADJ = 5 dB, BAND = 0		75		kHzdev
MOD <sub>MONO108</sub>	TX mono modulation at 108.0 MHz	L = R = 250 mVrms, $f_{AF} = 1$ kHz, AFADJ = 0 dB, PLTADJ = off, MONO_ST = 1, MODADJ = 3 dB, BAND = 0		75		kHzdev
MOD <sub>RPLT</sub>	Pilot modulation adjust ratio	PLTADJ[2:0] = 000		-6		dB
		PLTADJ[2:0] = 001		-4		
		PLTADJ[2:0] = 010		-2		
		PLTADJ[2:0] = 011 (Ref.)		0		
		PLTADJ[2:0] = 100		2		
		PLTADJ[2:0] = 101		4		
		PLTADJ[2:0] = 110		6		
MPLT <sub>TYP</sub>	Typical pilot modulation	L = R = 225 mVrms, $f_{AF} = 1$ kHz, (main + sub = 90%), AFADJ = 0 dB, PLTADJ = 0 dB		10		%
MPLT <sub>MIN</sub>	Minimum pilot modulation	L = R = 225 mVrms, $f_{AF} = 1$ kHz, (main + sub = 90%), AFADJ = 0 dB, PLTADJ = -6 dB		5		%
MPLT <sub>MAX</sub>	Maximum pilot modulation	L = R = 225 mVrms, $f_{AF} = 1$ kHz, (main + sub = 90%), AFADJ = 0 dB, PLTADJ = 6 dB		20		%

## I<sup>2</sup>C MODE (BUS\_SEL PIN = GND)

### I<sup>2</sup>C Write Data

**Table 1. Write Data**

BYTE	BIT 7 (MSB)	BIT 6	BIT 5	BIT 4	BIT 3	BIT 2	BIT 1	BIT 0 (LSB)
Address	1	1	0	0	0	1	AS	0
Data 1	MUTE	0	N13	N12	N11	N10	N9	N8
Data 2	N7	N6	N5	N4	N3	N2	N1	N0
Data 3	PLTADJ2	PLTADJ1	PLTADJ0	DIS_TX	MONO_ST	TXPOW1	TXPOW0	PORT1
Data 4	PORT2	STBY	BAND	MODADJ3	MODADJ2	MODADJ1	MODADJ0	DIS_AFLPF
Data 5	DIS_EM	EMTC	0	AFADJ2	AFADJ1	AFADJ0	CP1	CP0
Data 6	(reserved) <sup>(1)</sup>							

(1) Do not write any data on reserved area. The data of this area is loaded at power-on reset.

**Table 2. Write Data Symbol Description**

SYMBOL	DESCRIPTION		DEFAULT																																				
AS	Address select bit	0: ADD_SEL(POW) pin GND 1: ADD_SEL(POW) pin Open	0																																				
MUTE	Mute control bit	0: Mute off 1: Mute on	0																																				
N13–N0	Programmable counter bits	Set main counter	all 0																																				
PLTADJ2, PLTADJ1, PLTADJ0	Pilot level adjust bits	<table border="1"> <thead> <tr> <th>PLTADJ2</th> <th>PLTADJ1</th> <th>PLTADJ0</th> <th>Level</th> </tr> </thead> <tbody> <tr> <td>0</td> <td>0</td> <td>0</td> <td>–6 dB</td> </tr> <tr> <td>0</td> <td>0</td> <td>1</td> <td>–4 dB</td> </tr> <tr> <td>0</td> <td>1</td> <td>0</td> <td>–2 dB</td> </tr> <tr> <td>0</td> <td>1</td> <td>1</td> <td>0 dB</td> </tr> <tr> <td>1</td> <td>0</td> <td>0</td> <td>2 dB</td> </tr> <tr> <td>1</td> <td>0</td> <td>1</td> <td>4 dB</td> </tr> <tr> <td>1</td> <td>1</td> <td>0</td> <td>6 dB</td> </tr> <tr> <td>1</td> <td>1</td> <td>1</td> <td>pilot off</td> </tr> </tbody> </table>	PLTADJ2	PLTADJ1	PLTADJ0	Level	0	0	0	–6 dB	0	0	1	–4 dB	0	1	0	–2 dB	0	1	1	0 dB	1	0	0	2 dB	1	0	1	4 dB	1	1	0	6 dB	1	1	1	pilot off	0, 1, 1
PLTADJ2	PLTADJ1	PLTADJ0	Level																																				
0	0	0	–6 dB																																				
0	0	1	–4 dB																																				
0	1	0	–2 dB																																				
0	1	1	0 dB																																				
1	0	0	2 dB																																				
1	0	1	4 dB																																				
1	1	0	6 dB																																				
1	1	1	pilot off																																				
DIS_TX	Disable TX power amp bit	0: TX power amp on 1: TX power amp off	0																																				
MONO_ST	Mono/stereo switch	0: 38 kHz sub carrier off 1: 38 kHz sub carrier on For mono mode, PLTADJ bits have to be set as "PLTADJ[2:0]=111"	0																																				
TXPOW1, TXPOW0	TX power level selection bits	<table border="1"> <thead> <tr> <th>TXPOW1</th> <th>TXPOW0</th> <th>Level</th> </tr> </thead> <tbody> <tr> <td>0</td> <td>0</td> <td>–7 dBm</td> </tr> <tr> <td>0</td> <td>1</td> <td>–3 dBm</td> </tr> <tr> <td>1</td> <td>0</td> <td>1 dBm</td> </tr> <tr> <td>1</td> <td>1</td> <td>4 dBm</td> </tr> </tbody> </table>	TXPOW1	TXPOW0	Level	0	0	–7 dBm	0	1	–3 dBm	1	0	1 dBm	1	1	4 dBm	0, 0																					
TXPOW1	TXPOW0	Level																																					
0	0	–7 dBm																																					
0	1	–3 dBm																																					
1	0	1 dBm																																					
1	1	4 dBm																																					
PORT1, PORT2	Port control bits	PORT1, PORT2 are enabled as general purpose ports 0: Low (Nch-MOS open drain on) 1: High (Nch-MOS open drain off)	1, 1																																				
STBY	Standby control bit	0: Standby off 1: Standby on	1																																				
BAND	Band selection bit	0: US/EU band (87.5 MHz to 108 MHz) 1: Japan band (76 MHz to 90 MHz)	0																																				

**Table 2. Write Data Symbol Description (continued)**

<b>SYMBOL</b>	<b>DESCRIPTION</b>					<b>DEFAULT</b>	
MODADJ3– MODADJ0	Modulation adjust bits	MODADJ3	MODADJ2	MODADJ1	MODADJ0	Total Composite Level	
		0	0	0	0	0 dB	
		0	0	0	1	1 dB	
		0	0	1	0	2 dB	
		0	0	1	1	3 dB	
		0	1	0	0	4 dB	
		0	1	0	1	5 dB	
		0	1	1	0	6 dB	
		0	1	1	1	7 dB	
		1	0	0	0	8 dB	
		1	0	0	1	9 dB	
		1	0	1	0	10 dB	
		1	0	1	1	11 dB	
		1	1	0	0	12 dB	
		1	1	0	1	13 dB	
1	1	1	0	14 dB			
1	1	1	1	15 dB			
DIS_AFLPF	Disable 15 kHz LPF	0: AF 15-kHZ LPF enable 1: AF 15-kHZ LPF disable				0	
DIS_EM	Disable pre-emphasis bit	0: De-emphasis on 1: De-emphasis off				0	
EMTC	Time constant control bit for pre-emphasis	0: 50 $\mu$ s 1: 75 $\mu$ s				1	
AFADJ2, AFADJ1, AFADJ0	AF level adjust bits	<i>AFDJ2</i>	<i>AFDJ1</i>	<i>AFDJ0</i>	<i>Level</i>	0, 1, 1	
		0	0	0	–9 dB		
		0	0	1	–6 dB		
		0	1	0	–3 dB		
		0	1	1	0 dB		
		1	0	0	3 dB		
		1	1	0	6 dB		
		1	1	1	9 dB		
1	1	1	12 dB				
CP1, CP0	CP current selection bits	<i>CP1</i>	<i>CP0</i>	<i>CP Current</i>	1, 0		
		0	0	0.6 $\mu$ A			
		0	1	1.25 $\mu$ A			
		1	0	2.5 $\mu$ A			
		1	1	50 $\mu$ A			

## PLL Setting in I<sup>2</sup>C Mode

Calculation of N13–N0 14-bit word ( $N_{PLL}$ ) can be done as follows:

$f_{RF}$  = desired tuning frequency

$f_{XTAL}$  = crystal frequency (32.768 kHz)

$$N_{PLL} = 4 \times \frac{f_{RF}}{f_{XTAL}}$$

Example:

$f_{RF} = 88.0 \text{ M}$

$$N_{PLL} = 4 \times \frac{88.0 \text{ M}}{32.768 \text{ kHz}} = 10742$$

The PLL word becomes 29F6h (N13, N12, N11, N10, N9, N8, N7, N6, N5, N4, N3, N2, N1, N0 = 10 1001 1111 0110).

Initial setting	Audio input level	L = R = 75 mVrms, AFADJ = 0 dB, $f_s = 400 \text{ Hz}$
	Pilot level:	PLTADJ = 0 dB means 10%
	FM modulation:	MODADJ depends on TX frequency to be 22.5 kHz dev.
	Output power:	TXPOW = –7 dBm, pullup resistance is not necessary
		TXPOW = –3, 1 dBm, antenna load 50 $\Omega$ add pullup resistance $R_{TX} 300 \Omega$
		TXPOW = 4 dBm, antenna load 50 $\Omega$ add pullup resistance $R_{TX} 150 \Omega$

## To Use External XTAL Signal

To use external signal instead of XTAL oscillation, pin assignment is as follows:

- XTAL1 (pin 9): OPEN
- XTAL2 (pin 10): signal input with coupling capacitor

Input signal wave should be sine wave or square wave, acceptable amplitude ranges are:

- Sine wave: 500 mVpp to 2 Vpp
- Rectangle (square) wave: 200 mVpp to 2 Vpp

## PARALLEL MODE (BUS\_SEL PIN = OPEN)

### Channel/Standby Setting in Parallel Mode

CHANNEL SETTING NO.	D4	D3	D2	D1	D0	FREQUENCY (MHz) OR STANDBY	MODADJ SETTING
0	0	0	0	0	0	standby	9
1	0	0	0	0	1	87.7	9
2	0	0	0	1	0	87.9	9
3	0	0	0	1	1	88.1	9
4	0	0	1	0	0	88.3	9
5	0	0	1	0	1	88.5	9
6	0	0	1	1	0	88.7	9
7	0	0	1	1	1	88.9	3
8	0	1	0	0	0	106.7	3
9	0	1	0	0	1	106.9	3
10	0	1	0	1	0	107.1	3
11	0	1	0	1	1	107.3	3
12	0	1	1	0	0	107.5	3
13	0	1	1	0	1	107.7	3
14	0	1	1	1	0	107.9	3
15	0	1	1	1	1	standby	3
16	1	0	0	0	0	standby	13
17	1	0	0	0	1	76.8	13
18	1	0	0	1	0	77.0	13
19	1	0	0	1	1	77.2	13
20	1	0	1	0	0	77.4	13
21	1	0	1	0	1	77.6	13
22	1	0	1	1	0	77.8	13
23	1	0	1	1	1	78.0	13
24	1	1	0	0	0	88.0	9
25	1	1	0	0	1	88.2	9
26	1	1	0	1	0	88.4	9
27	1	1	0	1	1	88.6	9
28	1	1	1	0	0	88.8	9
29	1	1	1	0	1	89.0	9
30	1	1	1	1	0	89.2	9
31	1	1	1	1	1	standby	9

**Table 3. TX Power Setting in Parallel Mode**

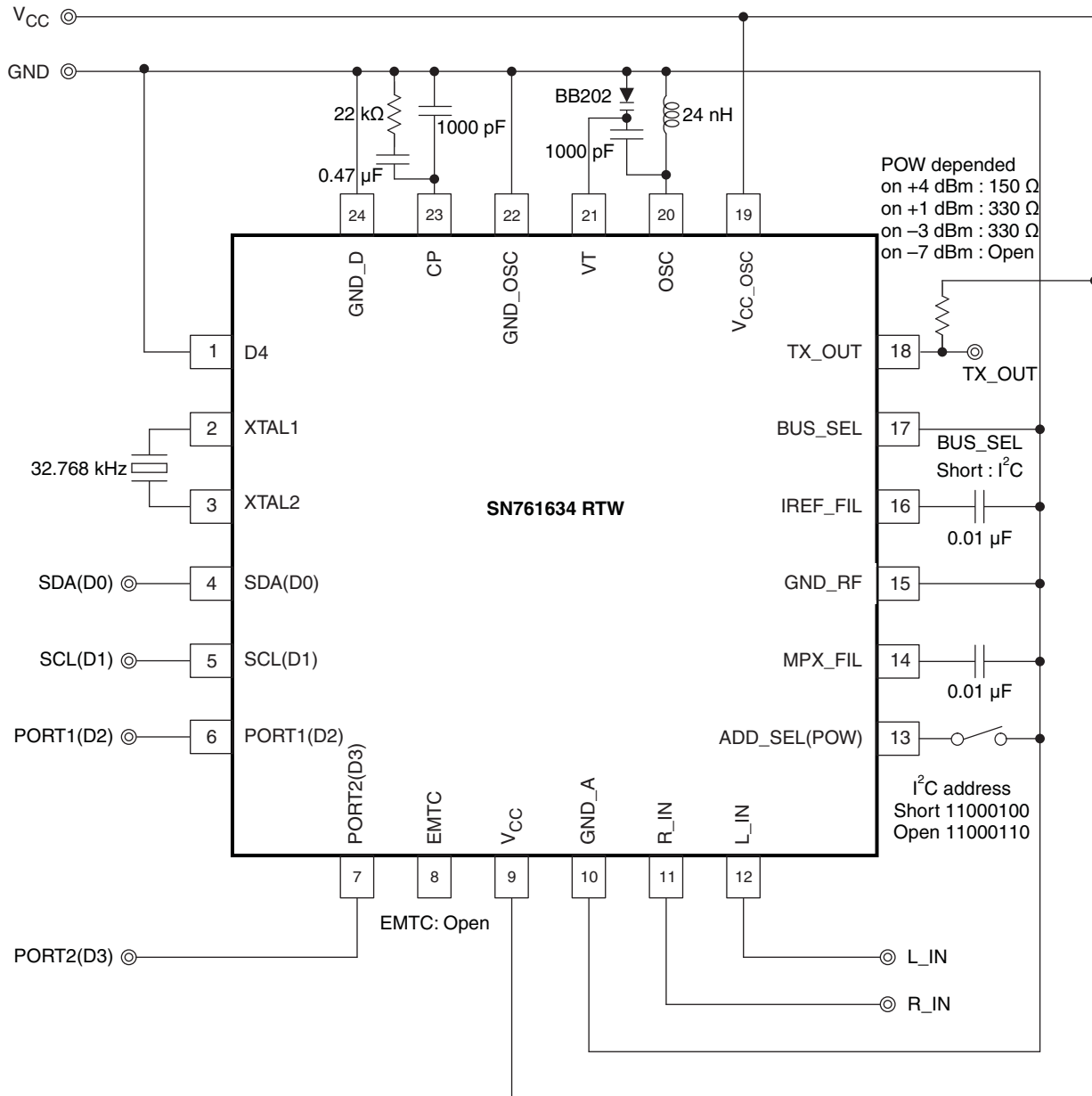
ADD_SEL(POW) PIN	TX POWER
Open	4 dBm
330 k $\Omega$ $\pm$ 20% pulldown	1 dBm
100 k $\Omega$ $\pm$ 20% pulldown	-3 dBm
GND	-7 dBm

**Table 4. Pre-Emphasis Setting in Parallel Mode**

EMTC PIN	PRE-EMPHASIS TIME CONSTANT
Open	75 $\mu$ s
GND	50 $\mu$ s

Other settings used are "default" value in [Table 1](#).

APPLICATION INFORMATION



A. Pin 1 (D4) input connects to GND.

Figure 15. I²C Mode Application

NOTE

This application information is advisory and performance check is required at actual application circuits. TI assumes no responsibility for the consequences of use of this circuit, such as an infringement of intellectual property rights or other rights, including patents, of third parties.

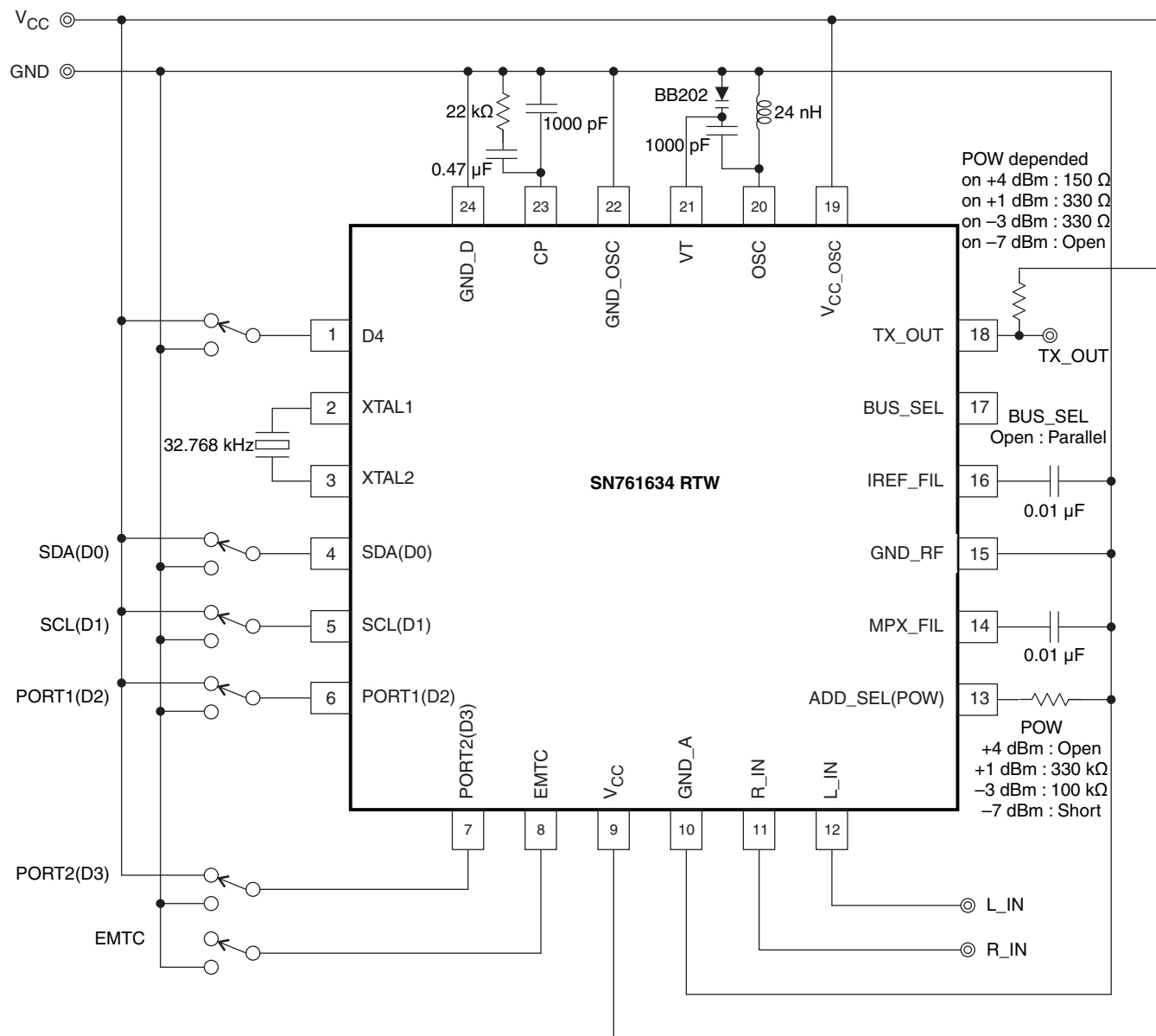


Figure 16. Parallel Mode Application

**NOTE**

This application information is advisory and performance check is required at actual application circuits. TI assumes no responsibility for the consequences of use of this circuit, such as an infringement of intellectual property rights or other rights, including patents, of third parties.

**PACKAGING INFORMATION**

Orderable Device	Status (1)	Package Type	Package Drawing	Pins	Package Qty	Eco Plan (2)	Lead/Ball Finish	MSL Peak Temp (3)	Op Temp (°C)	Device Marking (4/5)	Samples
SN761634RTWR	OBSOLETE	WQFN	RTW	24		TBD	Call TI	Call TI	-20 to 85	SN76 1634	

(1) The marketing status values are defined as follows:

**ACTIVE:** Product device recommended for new designs.

**LIFEBUY:** TI has announced that the device will be discontinued, and a lifetime-buy period is in effect.

**NRND:** Not recommended for new designs. Device is in production to support existing customers, but TI does not recommend using this part in a new design.

**PREVIEW:** Device has been announced but is not in production. Samples may or may not be available.

**OBSOLETE:** TI has discontinued the production of the device.

(2) Eco Plan - The planned eco-friendly classification: Pb-Free (RoHS), Pb-Free (RoHS Exempt), or Green (RoHS & no Sb/Br) - please check <http://www.ti.com/productcontent> for the latest availability information and additional product content details.

**TBD:** The Pb-Free/Green conversion plan has not been defined.

**Pb-Free (RoHS):** TI's terms "Lead-Free" or "Pb-Free" mean semiconductor products that are compatible with the current RoHS requirements for all 6 substances, including the requirement that lead not exceed 0.1% by weight in homogeneous materials. Where designed to be soldered at high temperatures, TI Pb-Free products are suitable for use in specified lead-free processes.

**Pb-Free (RoHS Exempt):** This component has a RoHS exemption for either 1) lead-based flip-chip solder bumps used between the die and package, or 2) lead-based die adhesive used between the die and leadframe. The component is otherwise considered Pb-Free (RoHS compatible) as defined above.

**Green (RoHS & no Sb/Br):** TI defines "Green" to mean Pb-Free (RoHS compatible), and free of Bromine (Br) and Antimony (Sb) based flame retardants (Br or Sb do not exceed 0.1% by weight in homogeneous material)

(3) MSL, Peak Temp. -- The Moisture Sensitivity Level rating according to the JEDEC industry standard classifications, and peak solder temperature.

(4) There may be additional marking, which relates to the logo, the lot trace code information, or the environmental category on the device.

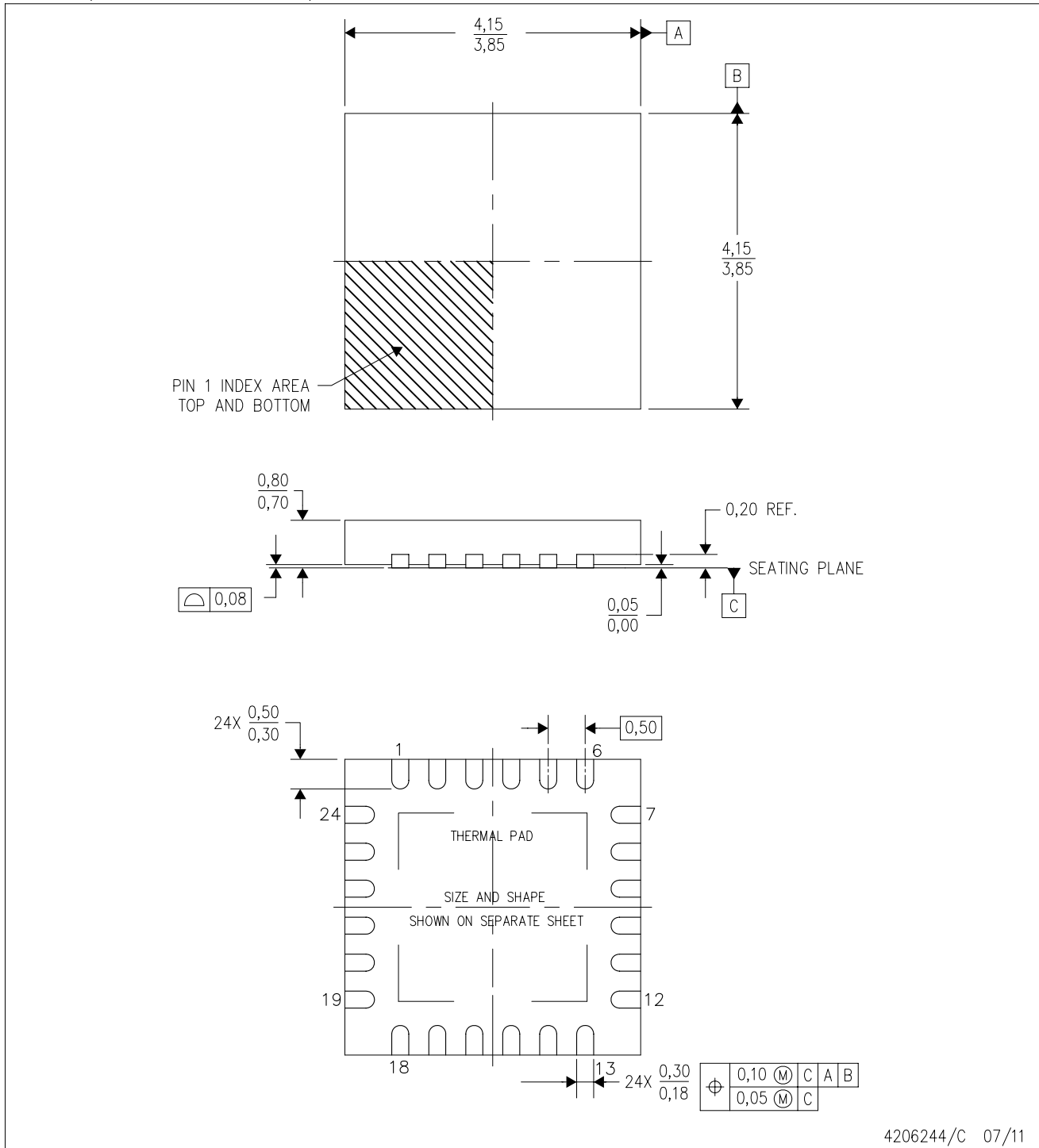
(5) Multiple Device Markings will be inside parentheses. Only one Device Marking contained in parentheses and separated by a "~" will appear on a device. If a line is indented then it is a continuation of the previous line and the two combined represent the entire Device Marking for that device.

**Important Information and Disclaimer:** The information provided on this page represents TI's knowledge and belief as of the date that it is provided. TI bases its knowledge and belief on information provided by third parties, and makes no representation or warranty as to the accuracy of such information. Efforts are underway to better integrate information from third parties. TI has taken and continues to take reasonable steps to provide representative and accurate information but may not have conducted destructive testing or chemical analysis on incoming materials and chemicals. TI and TI suppliers consider certain information to be proprietary, and thus CAS numbers and other limited information may not be available for release.

In no event shall TI's liability arising out of such information exceed the total purchase price of the TI part(s) at issue in this document sold by TI to Customer on an annual basis.

RTW (S-PWQFN-N24)

PLASTIC QUAD FLATPACK NO-LEAD



4206244/C 07/11

- NOTES:
- A. All linear dimensions are in millimeters. Dimensioning and tolerancing per ASME Y14.5M-1994.
  - B. This drawing is subject to change without notice.
  - C. Quad Flatpack, No-Leads (QFN) package configuration.
  - D. The package thermal pad must be soldered to the board for thermal and mechanical performance.
  - E. See the additional figure in the Product Data Sheet for details regarding the exposed thermal pad features and dimensions.
  - F. Falls within JEDEC MO-220.

## IMPORTANT NOTICE

Texas Instruments Incorporated and its subsidiaries (TI) reserve the right to make corrections, enhancements, improvements and other changes to its semiconductor products and services per JESD46, latest issue, and to discontinue any product or service per JESD48, latest issue. Buyers should obtain the latest relevant information before placing orders and should verify that such information is current and complete. All semiconductor products (also referred to herein as "components") are sold subject to TI's terms and conditions of sale supplied at the time of order acknowledgment.

TI warrants performance of its components to the specifications applicable at the time of sale, in accordance with the warranty in TI's terms and conditions of sale of semiconductor products. Testing and other quality control techniques are used to the extent TI deems necessary to support this warranty. Except where mandated by applicable law, testing of all parameters of each component is not necessarily performed.

TI assumes no liability for applications assistance or the design of Buyers' products. Buyers are responsible for their products and applications using TI components. To minimize the risks associated with Buyers' products and applications, Buyers should provide adequate design and operating safeguards.

TI does not warrant or represent that any license, either express or implied, is granted under any patent right, copyright, mask work right, or other intellectual property right relating to any combination, machine, or process in which TI components or services are used. Information published by TI regarding third-party products or services does not constitute a license to use such products or services or a warranty or endorsement thereof. Use of such information may require a license from a third party under the patents or other intellectual property of the third party, or a license from TI under the patents or other intellectual property of TI.

Reproduction of significant portions of TI information in TI data books or data sheets is permissible only if reproduction is without alteration and is accompanied by all associated warranties, conditions, limitations, and notices. TI is not responsible or liable for such altered documentation. Information of third parties may be subject to additional restrictions.

Resale of TI components or services with statements different from or beyond the parameters stated by TI for that component or service voids all express and any implied warranties for the associated TI component or service and is an unfair and deceptive business practice. TI is not responsible or liable for any such statements.

Buyer acknowledges and agrees that it is solely responsible for compliance with all legal, regulatory and safety-related requirements concerning its products, and any use of TI components in its applications, notwithstanding any applications-related information or support that may be provided by TI. Buyer represents and agrees that it has all the necessary expertise to create and implement safeguards which anticipate dangerous consequences of failures, monitor failures and their consequences, lessen the likelihood of failures that might cause harm and take appropriate remedial actions. Buyer will fully indemnify TI and its representatives against any damages arising out of the use of any TI components in safety-critical applications.

In some cases, TI components may be promoted specifically to facilitate safety-related applications. With such components, TI's goal is to help enable customers to design and create their own end-product solutions that meet applicable functional safety standards and requirements. Nonetheless, such components are subject to these terms.

No TI components are authorized for use in FDA Class III (or similar life-critical medical equipment) unless authorized officers of the parties have executed a special agreement specifically governing such use.

Only those TI components which TI has specifically designated as military grade or "enhanced plastic" are designed and intended for use in military/aerospace applications or environments. Buyer acknowledges and agrees that any military or aerospace use of TI components which have **not** been so designated is solely at the Buyer's risk, and that Buyer is solely responsible for compliance with all legal and regulatory requirements in connection with such use.

TI has specifically designated certain components as meeting ISO/TS16949 requirements, mainly for automotive use. In any case of use of non-designated products, TI will not be responsible for any failure to meet ISO/TS16949.

### Products

Audio	<a href="http://www.ti.com/audio">www.ti.com/audio</a>
Amplifiers	<a href="http://amplifier.ti.com">amplifier.ti.com</a>
Data Converters	<a href="http://dataconverter.ti.com">dataconverter.ti.com</a>
DLP® Products	<a href="http://www.dlp.com">www.dlp.com</a>
DSP	<a href="http://dsp.ti.com">dsp.ti.com</a>
Clocks and Timers	<a href="http://www.ti.com/clocks">www.ti.com/clocks</a>
Interface	<a href="http://interface.ti.com">interface.ti.com</a>
Logic	<a href="http://logic.ti.com">logic.ti.com</a>
Power Mgmt	<a href="http://power.ti.com">power.ti.com</a>
Microcontrollers	<a href="http://microcontroller.ti.com">microcontroller.ti.com</a>
RFID	<a href="http://www.ti-rfid.com">www.ti-rfid.com</a>
OMAP Applications Processors	<a href="http://www.ti.com/omap">www.ti.com/omap</a>
Wireless Connectivity	<a href="http://www.ti.com/wirelessconnectivity">www.ti.com/wirelessconnectivity</a>

### Applications

Automotive and Transportation	<a href="http://www.ti.com/automotive">www.ti.com/automotive</a>
Communications and Telecom	<a href="http://www.ti.com/communications">www.ti.com/communications</a>
Computers and Peripherals	<a href="http://www.ti.com/computers">www.ti.com/computers</a>
Consumer Electronics	<a href="http://www.ti.com/consumer-apps">www.ti.com/consumer-apps</a>
Energy and Lighting	<a href="http://www.ti.com/energy">www.ti.com/energy</a>
Industrial	<a href="http://www.ti.com/industrial">www.ti.com/industrial</a>
Medical	<a href="http://www.ti.com/medical">www.ti.com/medical</a>
Security	<a href="http://www.ti.com/security">www.ti.com/security</a>
Space, Avionics and Defense	<a href="http://www.ti.com/space-avionics-defense">www.ti.com/space-avionics-defense</a>
Video and Imaging	<a href="http://www.ti.com/video">www.ti.com/video</a>

### TI E2E Community

[e2e.ti.com](http://e2e.ti.com)