

VFM Step-Up DC/DC Converter

General Description

The RT9261B Series are VFM Step-up DC/DC converter ICs with ultra low supply current by CMOS process and suitable for use with battery-powered instruments.

The RT9261B IC consists of an oscillator, a VFM control circuit, a driver transistor (LX switch), a reference voltage unit, an error amplifier, resistors for voltage detection, and a LX switch protection circuit. A low ripple and high efficiency step-up DC/DC converter can be constructed with the RT9261B IC and only three external components.

The EN pin enables the circuit to set the standby supply current at a maximum of 0.5μA.

Ordering Information

RT9261B-□□□□	
□	Package Type
B	: SOT-23-5
X	: SOT-89
□	Operating Temperature Range
P	: Pb Free with Commercial Standard
G	: Green (Halogen Free with Commercial Standard)
□	Output Voltage
15	: 1.5V
16	: 1.6V
:	:
49	: 4.9V
50	: 5.0V

Note :

RichTek Pb-free and Green products are :

- ▶RoHS compliant and compatible with the current requirements of IPC/JEDEC J-STD-020.
- ▶Suitable for use in SnPb or Pb-free soldering processes.
- ▶100% matte tin (Sn) plating.

Marking Information

For marking information, contact our sales representative directly or through a RichTek distributor located in your area, otherwise visit our website for detail.

Features

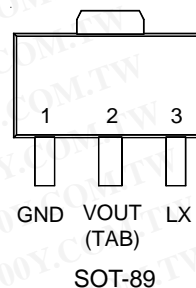
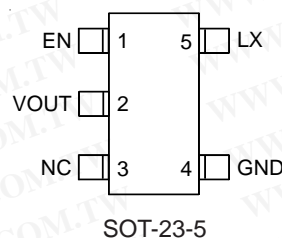
- Minimal Number of External Components (Only an Inductor, a Diode, and a Capacitor)
- Ultra Low Input Current (6.5μA at Switch Off)
- Capable of Supplying 50mA Output Current with Internal Switch
- ± 2% Output Voltage Accuracy
- Low Ripple and Low Noise
- Low Start-up Voltage, 0.8V at 1mA
- 80% Efficiency with Low Cost Inductor
- +50 ppm/°C Low Temperature-Drift
- SOT-89 and SOT-23-5 Small Packages
- RoHS Compliant and 100% Lead (Pb)-Free

Applications

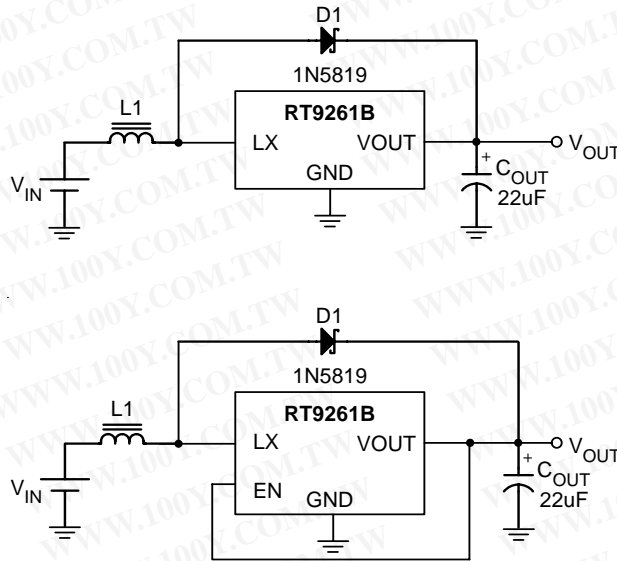
- Power source for battery-powered equipment
- Power source for cameras, camcorders, VCRs, PDAs, pagers, electronic data banks, and hand-held communication equipment
- Power source for appliances, which require higher voltage than that of batteries used in the appliances

Pin Configurations

(TOP VIEW)



Typical Application Circuit

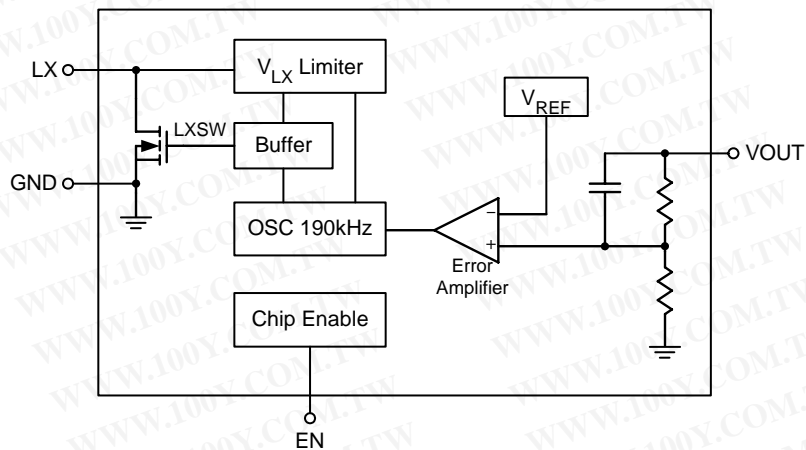


* L1 ranges from 27μH to 120μH

Functional Pin Description

Pin No.		Pin Name	Pin Function
-xxCX	-xxCB		
1	4	GND	Ground
2	2	VOUT	Output Voltage
3	5	LX	Pin for Switching
--	1	EN	Chip Enable (Active High)
--	3	NC	No Connection

Function Block Diagram



Absolute Maximum Ratings

- Output Voltage ----- 8V
- LX Pin Voltage ----- 8V
- EN Pin Voltage⁽¹⁾ ----- -0.3 to V_{OUT} +0.3V
- LX Pin Output Current ----- 400mA
- Power Dissipation, P_D @ T_A = 25°C
 - SOT-89 ----- 0.5W
 - SOT-23-5 ----- 0.25W
- Package Thermal Resistance
 - SOT-89, θ_{JC} ----- 100°C/W
 - SOT-89, θ_{JA} ----- 300°C/W
 - SOT-23-5, θ_{JA} ----- 250°C/W
- Operating Temperature Range ----- -20 to +85°C
- Storage Temperature Range ----- -65°C to 150°C
- Lead Temperature (Soldering, 10 sec.) ----- 260°C

勝特力材料 886-3-5753170
 勝特力电子(上海) 86-21-34970699
 勝特力电子(深圳) 86-755-83298787
[Http://www.100y.com.tw](http://www.100y.com.tw)

Notes: (1) Applicable to RT9261B-xxCB

Electrical Characteristics (Refer to Figure 1)

Parameter	Symbol	Test Conditions	Min	Typ	Max	Units
Output Voltage Accuracy	ΔV _{OUT}		-2	--	+2	%
Input Voltage	V _{IN}		--	--	7	V
Start-up Voltage	V _{ST}	I _{OUT} = 1mA, V _{IN} : 0 → 2V	--	0.8	1	V
Hold-on Voltage	V _{HO}	I _{OUT} = 1mA, V _{IN} : 2 → 0V	0.7	--	--	V
Input Current 1	V _{OUT} ≤ 3.5V ⁽¹⁾	To be measured at V _{IN} in continuous switching	--	24	36	μA
	3.5V < V _{OUT} ≤ 5V ⁽²⁾		--	36	45	
Input Current 2 ⁽¹⁾⁽²⁾		To be measured at V _{OUT} in switch off condition	--	6.5	10	μA
Input Current 3	V _{OUT} ≤ 3.5V ⁽¹⁾	To be measured at V _{IN} in no load (guaranteed by I ₁ and I ₂)	--	18	36	μA
	3.5V < V _{OUT} ≤ 5V ⁽²⁾		--	20	45	
LX Switching Current	V _{OUT} ≤ 3.5V ⁽¹⁾	I _{SWITCHING} V _{LX} = 0.4V	120	--	--	mA
	3.5V < V _{OUT} ≤ 5V ⁽²⁾		160	--	--	
LX Leakage Current	I _{LEAKAGE}	V _{LX} = 6V	--	--	0.5	μA
Maximum Oscillator Frequency	F _{MAX}	V _{OUT} = 2.5V to 5V	140	190	240	kHz
		V _{OUT} = 1.5V to 2.4V	140	190	320	kHz
Oscillator Duty Cycle	D _{OSC}	On (V _{LX} "L") side	65	75	85	%
Efficiency			--	80	--	%
V _{LX} Voltage Limit		LX switch on	0.65	0.8	1.0	V

Notes:

(1) V_{IN} = 1.8V, V_{SS} = 0V, I_{OUT} = 1mA, T_{opt} = 25°C, and use External Circuit of Typical Application

(2) V_{IN} = 3V, V_{SS} = 0V, I_{OUT} = 1mA, T_{opt} = 25°C, and External Circuit of Typical Application

Electrical Characteristics (Refer to Figure 2)

Parameter	Symbol	Test Conditions	Min	Typ	Max	Units
Output Voltage Accuracy	ΔV_{OUT}		-2	--	+2	%
Input Voltage	V_{IN}		--	--	7	V
Start-up Voltage	V_{ST}	$I_{OUT} = 1mA, V_{IN}: 0 \rightarrow 2V$	--	0.8	1	V
Hold-on Voltage	V_{HO}	$I_{OUT} = 1mA, V_{IN}: 2 \rightarrow 0V$	0.7	--	--	V
Efficiency			--	80	--	%
Input Current 1	$V_{OUT} \leq 3.5V^{(1)}$	To be measured at V_{IN} in continuous switching	--	24	36	μA
	$3.5V < V_{OUT} \leq 5V^{(2)}$		--	36	45	
Input Current 2 ^{(1) (2)}		To be measured at V_{OUT} in switch off condition	--	6.5	10	μA
Input Current 3	$V_{OUT} \leq 3.5V^{(1)}$	To be measured at V_{IN} in no load (guaranteed by I_1 and I_2)	--	18	36	μA
	$3.5V < V_{OUT} \leq 5V^{(2)}$		--	20	45	
LX Switching Current	$V_{OUT} \leq 3.5V^{(1)}$	$I_{SWITCHING}$ $V_{LX} = 0.4V$	120	--	--	mA
	$3.5V < V_{OUT} \leq 5V^{(2)}$		160	--	--	
LX Leakage Current	$I_{LEAKAGE}$	$V_{LX} = 6V$	--	--	0.5	μA
EN "H" Level		$V_{IN} = V_{OUT} * 0.9$	$0.4 \times V_{OUT}$	--	--	V
EN "L" Level		$V_{IN} = V_{OUT} * 0.9$	--	--	0.2	V
EN "H" Input Current		$EN = V_{OUT}$	--	--	0.5	μA
EN "L" Input Current		$EN = 0V$	-0.5	--	--	μA
Maximum Oscillator Frequency	F_{MAX}	$V_{OUT} = 2.5V$ to $5V$	140	190	240	kHz
		$V_{OUT} = 1.5V$ to $2.4V$	140	190	320	kHz
Oscillator Duty Cycle	D_{OSC}	On (V_{LX} "L") side	65	75	85	%
V_{LX} Voltage Limit		LX switch on	0.65	0.8	1.0	V

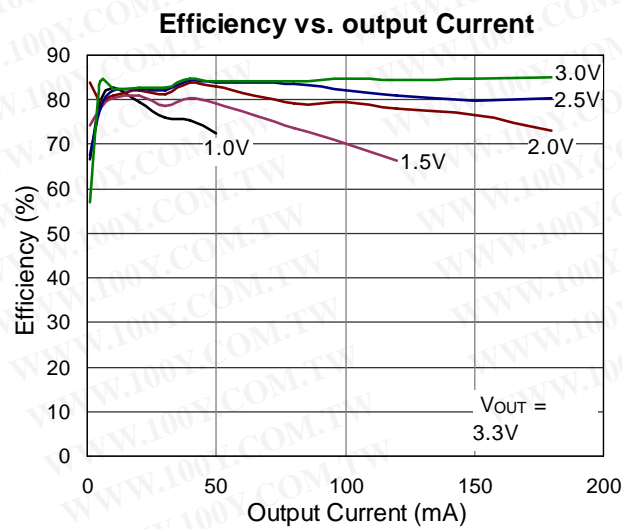
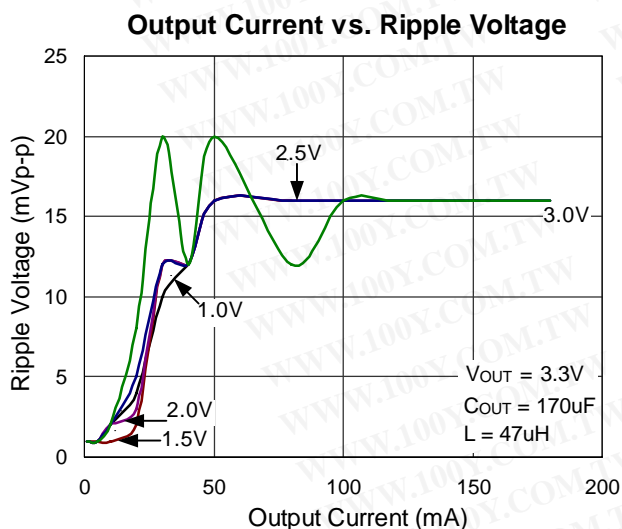
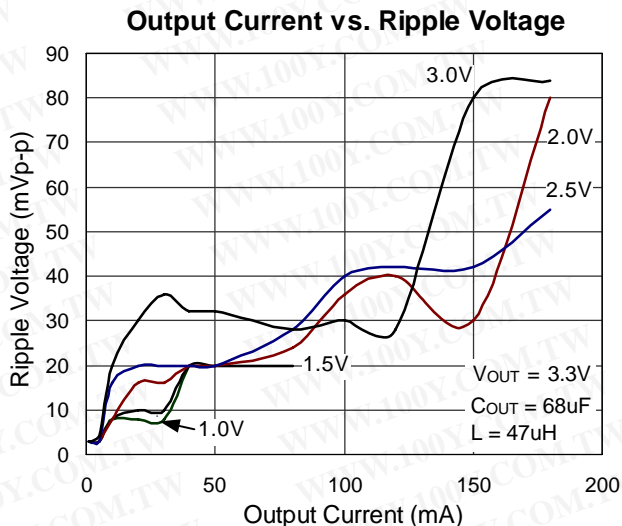
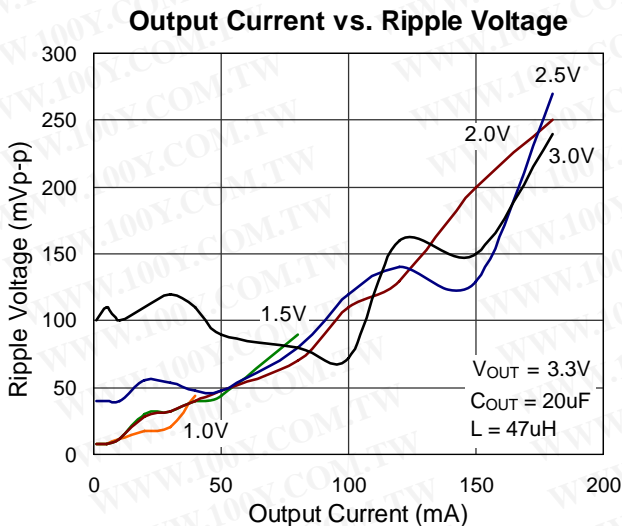
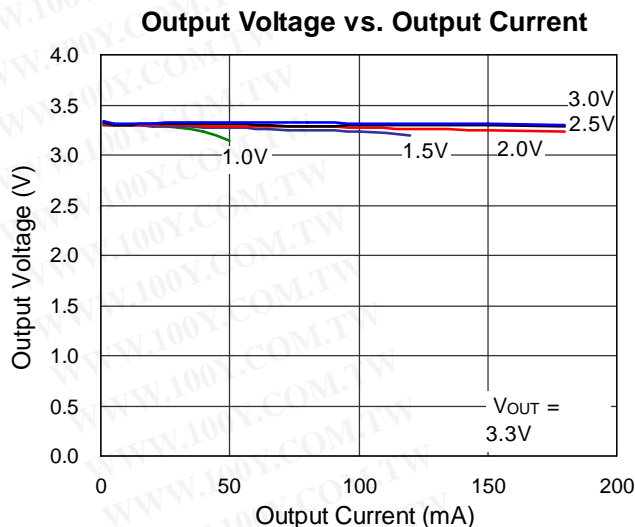
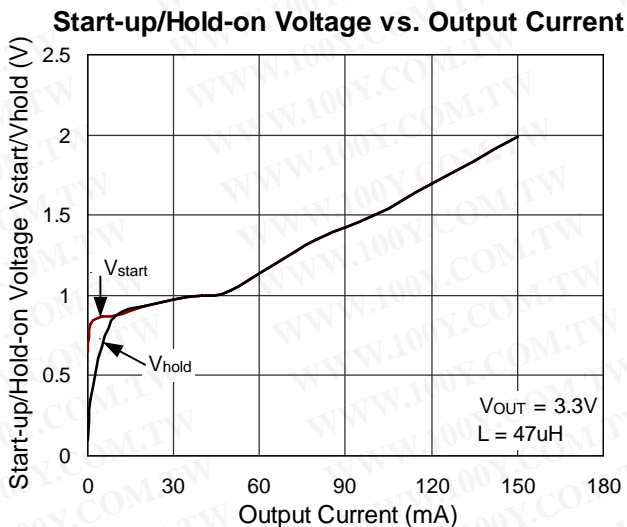
Notes:

(1) $V_{IN} = 1.8V, V_{SS} = 0V, I_{OUT} = 1mA, T_{opt} = 25^\circ C$, and use External Circuit of Typical Application

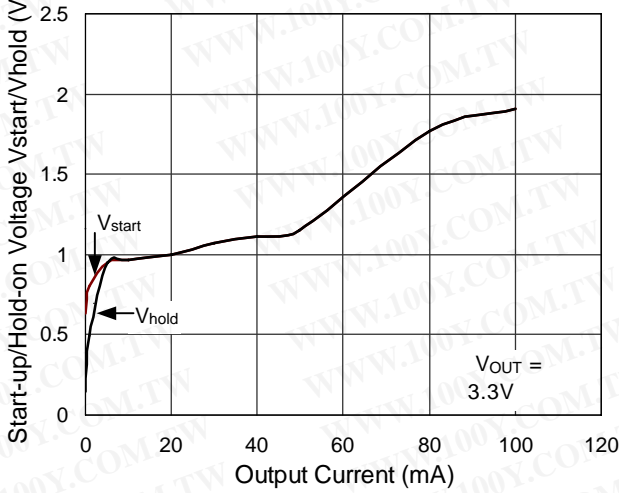
(2) $V_{IN} = 3V, V_{SS} = 0V, I_{OUT} = 1mA, T_{opt} = 25^\circ C$, and External Circuit of Typical Application

勝特力材料 886-3-5753170
 勝特力电子(上海) 86-21-34970699
 勝特力电子(深圳) 86-755-83298787
[Http://www.100y.com.tw](http://www.100y.com.tw)

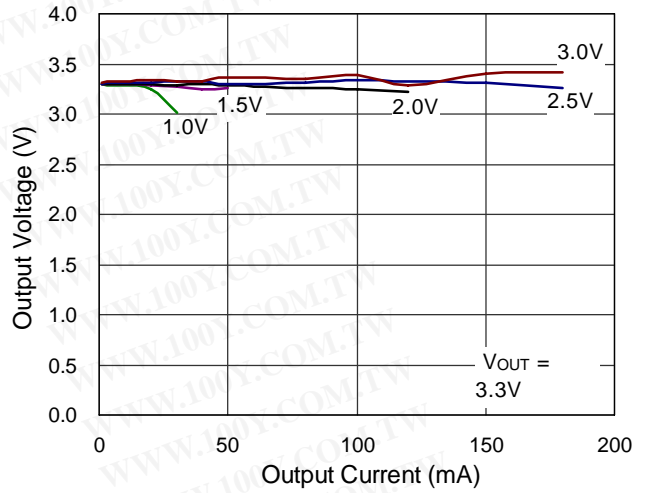
Typical Operating Characteristics



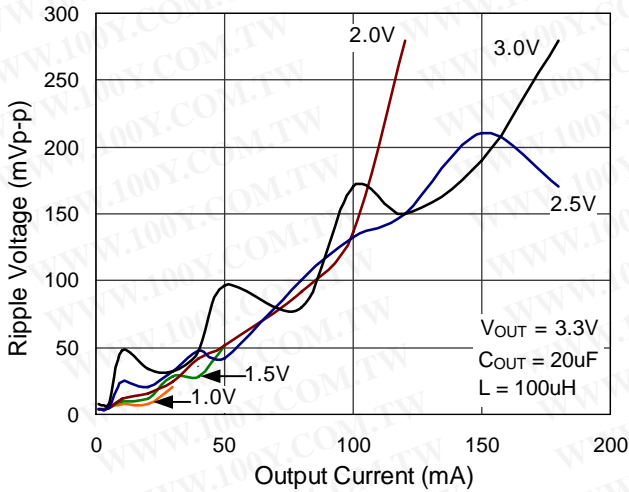
Start-up/Hold-on Voltage vs. Output Current



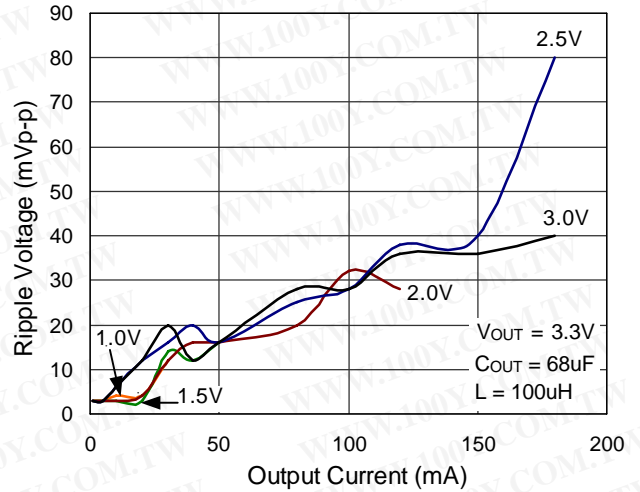
Output Voltage vs. Output Current



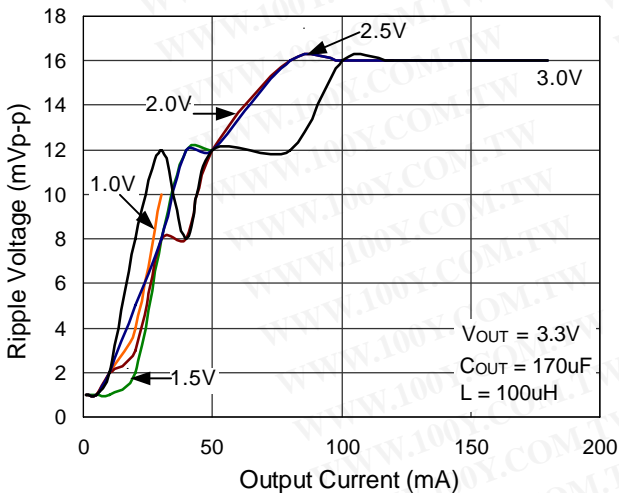
Output Current vs. Ripple Voltage



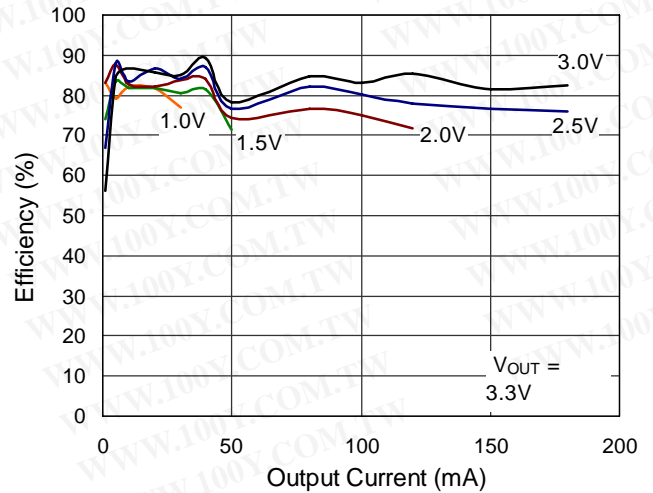
Output Current vs. Ripple Voltage



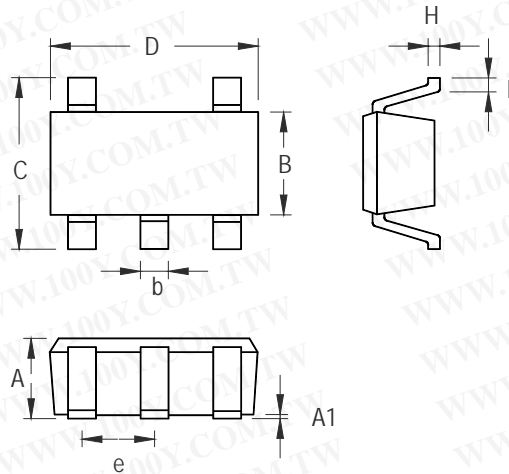
Output Current vs. Ripple Voltage



Efficiency vs. output Current

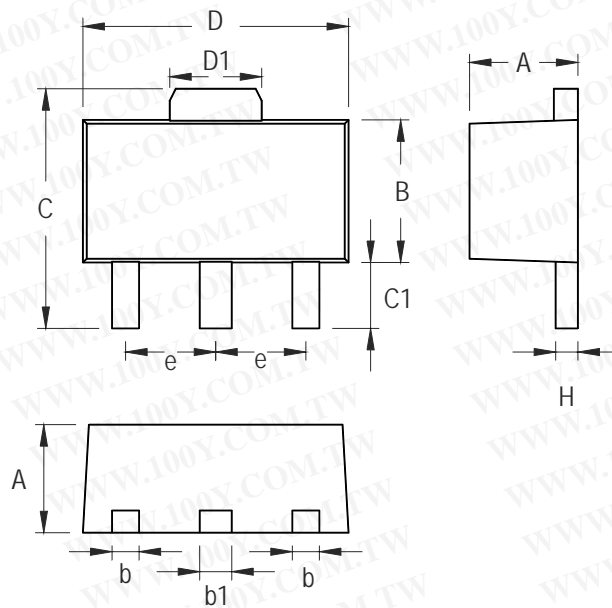


Outline Dimension



Symbol	Dimensions In Millimeters		Dimensions In Inches	
	Min	Max	Min	Max
A	0.889	1.295	0.035	0.051
A1	0.000	0.152	0.000	0.006
B	1.397	1.803	0.055	0.071
b	0.356	0.559	0.014	0.022
C	2.591	2.997	0.102	0.118
D	2.692	3.099	0.106	0.122
e	0.838	1.041	0.033	0.041
H	0.080	0.254	0.003	0.010
L	0.300	0.610	0.012	0.024

SOT-23-5 Surface Mount Package



Symbol	Dimensions In Millimeters		Dimensions In Inches	
	Min	Max	Min	Max
A	1.397	1.600	0.055	0.063
b	0.356	0.483	0.014	0.019
B	2.388	2.591	0.094	0.102
b1	0.406	0.533	0.016	0.021
C	3.937	4.242	0.155	0.167
C1	0.787	1.194	0.031	0.047
D	4.394	4.597	0.173	0.181
D1	1.397	1.753	0.055	0.069
e	1.448	1.549	0.057	0.061
H	0.356	0.432	0.014	0.017

3-Lead SOT-89 Surface Mount

Richtek Technology Corporation

Headquarter
 5F, No. 20, Taiyuen Street, Chupei City
 Hsinchu, Taiwan, R.O.C.
 Tel: (8863)5526789 Fax: (8863)5526611

Richtek Technology Corporation

Taipei Office (Marketing)
 8F, No. 137, Lane 235, Paochiao Road, Hsintien City
 Taipei County, Taiwan, R.O.C.
 Tel: (8862)89191466 Fax: (8862)89191465
 Email: marketing@richtek.com