

REF200

勝特力材料 886-3-5753170
勝特力电子(上海) 86-21-54151736
勝特力电子(深圳) 86-755-83298787
Http://www.100y.com.tw

DUAL CURRENT SOURCE/CURRENT SINK

FEATURES

- COMPLETELY FLOATING:
No Power Supply or Ground Connections
- HIGH ACCURACY: $100\mu\text{A} \pm 0.5\%$
- LOW TEMPERATURE COEFFICIENT:
 $\pm 25\text{ppm}/^\circ\text{C}$
- WIDE VOLTAGE COMPLIANCE:
2.5V to 40V
- ALSO INCLUDES CURRENT MIRROR

APPLICATIONS

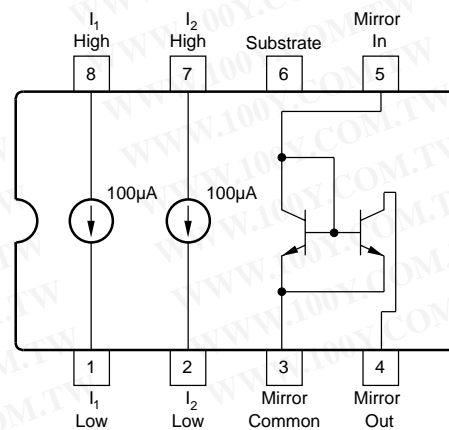
- SENSOR EXCITATION
- BIASING CIRCUITRY
- OFFSETTING CURRENT LOOPS
- LOW VOLTAGE REFERENCES
- CHARGE-PUMP CIRCUITRY
- HYBRID MICROCIRCUITS

DESCRIPTION

The REF200 combines three circuit building-blocks on a single monolithic chip—two $100\mu\text{A}$ current sources and a current mirror. The sections are dielectrically isolated, making them completely independent. Also, since the current sources are two-terminal devices, they can be used equally well as current sinks. The performance of each section is individually measured and laser-trimmed to achieve high accuracy at low cost.

The sections can be pin-strapped for currents of $50\mu\text{A}$, $100\mu\text{A}$, $200\mu\text{A}$, $300\mu\text{A}$ or $400\mu\text{A}$. External circuitry can be used to obtain virtually any current. These and many other circuit techniques are shown in the Applications section of this Data Sheet.

The REF200 is available in plastic 8-pin mini-DIP and SOIC packages.



勝特力材料 886-3-5753170
 勝特力电子(上海) 86-21-54151736
 勝特力电子(深圳) 86-755-83298787
 Http://www.100y.com.tw

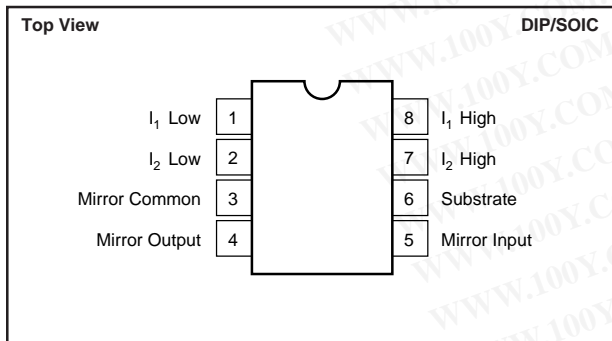
SPECIFICATIONS

ELECTRICAL

At $T_A = +25^\circ\text{C}$, $V_S = 15\text{V}$, unless otherwise noted.

PARAMETER	CONDITION	REF200AP, AU			UNITS
		MIN	TYP	MAX	
CURRENT SOURCES					
Current Accuracy			± 0.25	± 1	%
Current Match			± 0.25	± 1	%
Temperature Drift	Specified Temp Range		25		ppm/ $^\circ\text{C}$
Output Impedance	2.5V to 40V	20	100		M Ω
	3.5V to 30V	200	500		M Ω
Noise	BW = 0.1Hz to 10Hz f = 10kHz		1		nAp-p
	T_{MIN} to T_{MAX}		20		pA/ $\sqrt{\text{Hz}}$
Voltage Compliance (1%)			See Curves		
Capacitance			10		pF
CURRENT MIRROR					
Gain	I = 100 μA Unless Otherwise Noted	0.995	1	1.005	
Temperature Drift			25		ppm/ $^\circ\text{C}$
Impedance (output)	2V to 40V	40	100		M Ω
Nonlinearity	I = 0 μA to 250 μA		0.05		%
Input Voltage			1.4		V
Output Compliance Voltage			See Curves		
Frequency Response (-3dB)	Transfer		5		MHz
TEMPERATURE RANGE					
Specification		-25		+85	$^\circ\text{C}$
Operating		-40		+85	$^\circ\text{C}$
Storage		-40		+125	$^\circ\text{C}$

PIN CONFIGURATION



ABSOLUTE MAXIMUM RATINGS

Applied Voltage	-6V to +40V
Reverse Current	-350 μA
Voltage Between Any Two Sections	$\pm 80\text{V}$
Operating Temperature	-40 $^\circ\text{C}$ to +85 $^\circ\text{C}$
Storage Temperature	-40 $^\circ\text{C}$ to +125 $^\circ\text{C}$
Lead Temperature (soldering, 10s)	+300 $^\circ\text{C}$
(SOIC 3s)	+260 $^\circ\text{C}$

PACKAGE/ORDERING INFORMATION

PRODUCT	PACKAGE	PACKAGE DRAWING NUMBER ⁽¹⁾	TEMPERATURE RANGE
REF200AP	8-Pin Plastic DIP	006	-25 $^\circ\text{C}$ to +85 $^\circ\text{C}$
REF200AU	8-Pin SOIC	182	-25 $^\circ\text{C}$ to +85 $^\circ\text{C}$

NOTE: (1) For detailed drawing and dimension table, please see end of data sheet, or Appendix C of Burr-Brown IC Data Book. (2) Grade designation "A" may not be marked. Absence of grade designation indicates A grade.

ELECTROSTATIC DISCHARGE SENSITIVITY

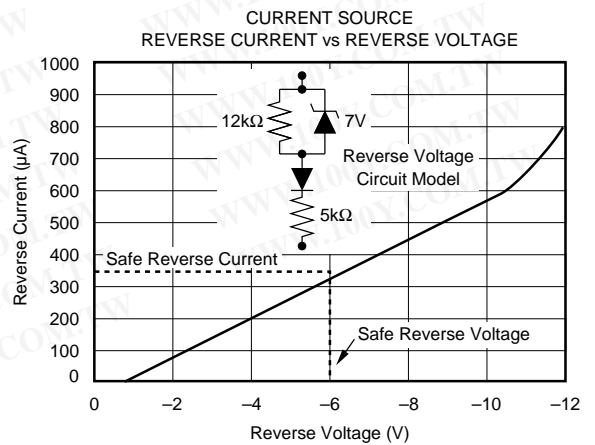
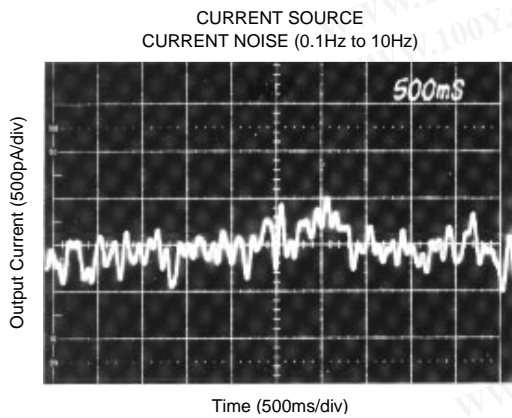
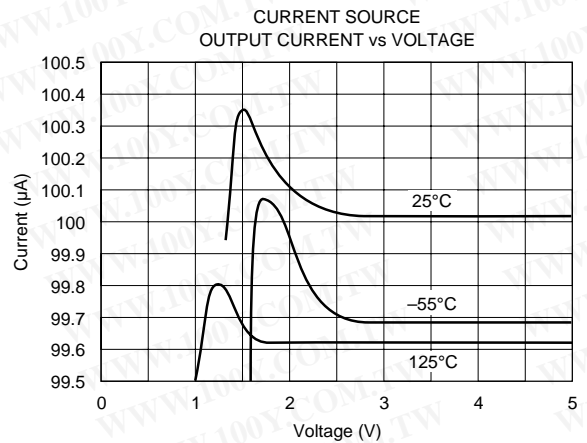
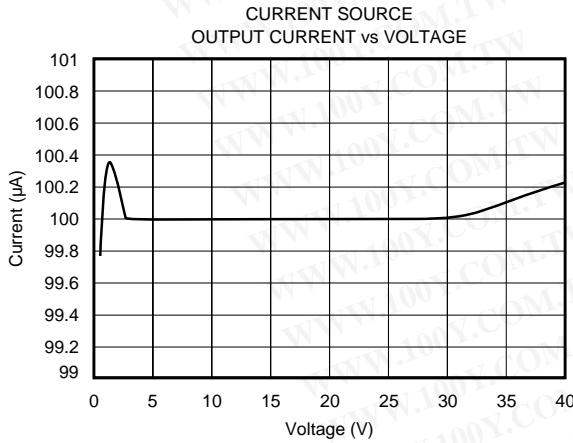
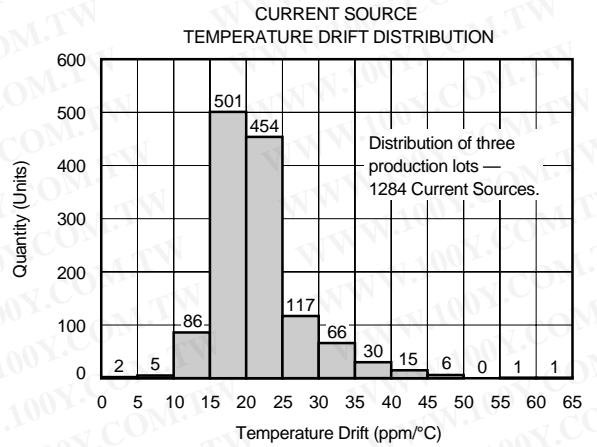
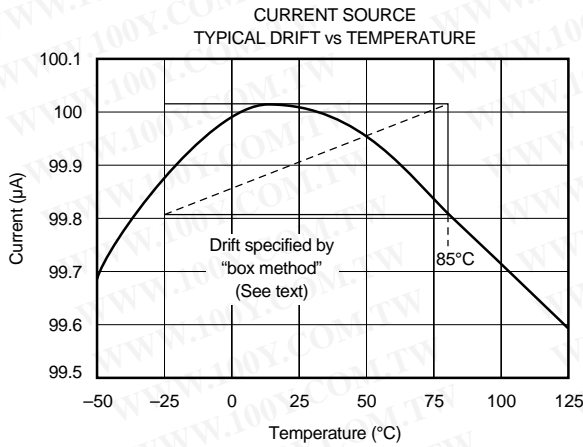
This integrated circuit can be damaged by ESD. Burr-Brown recommends that all integrated circuits be handled with appropriate precautions. Failure to observe proper handling and installation procedures can cause damage.

ESD damage can range from subtle performance degradation to complete device failure. Precision integrated circuits may be more susceptible to damage because very small parametric changes could cause the device not to meet its published specifications.

The information provided herein is believed to be reliable; however, BURR-BROWN assumes no responsibility for inaccuracies or omissions. BURR-BROWN assumes no responsibility for the use of this information, and all use of such information shall be entirely at the user's own risk. Prices and specifications are subject to change without notice. No patent rights or licenses to any of the circuits described herein are implied or granted to any third party. BURR-BROWN does not authorize or warrant any BURR-BROWN product for use in life support devices and/or systems.

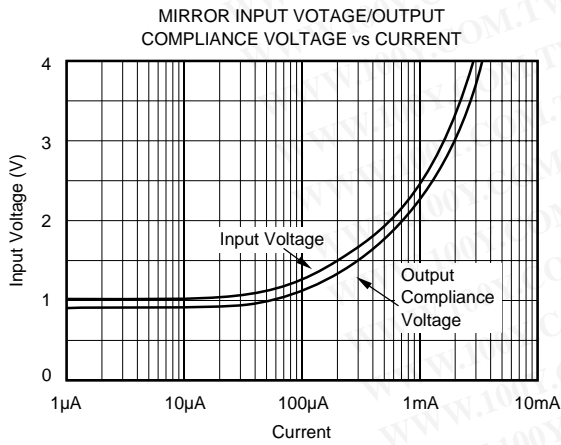
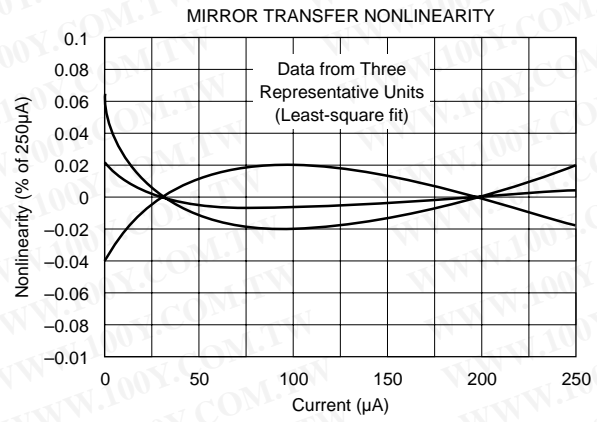
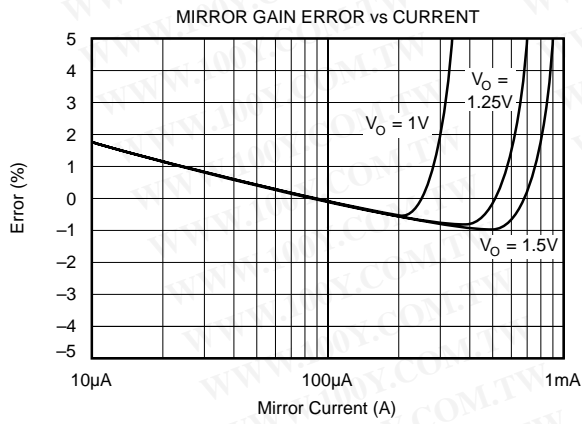
TYPICAL PERFORMANCE CURVES

At $T_A = +25^\circ\text{C}$, $V_S = +15\text{V}$, unless otherwise noted.



TYPICAL PERFORMANCE CURVES (CONT)

At $T_A = +25^\circ\text{C}$, $V_S = +15\text{V}$, unless otherwise noted.



勝特力材料 886-3-5753170
 勝特力电子(上海) 86-21-54151736
 勝特力电子(深圳) 86-755-83298787
[Http://www.100y.com.tw](http://www.100y.com.tw)

APPLICATIONS INFORMATION

The three circuit sections of the REF200 are electrically isolated from one another using a dielectrically isolated fabrication process. A substrate connection is provided (pin 6), which is isolated from all circuitry. This pin should be connected to a defined circuit potential to assure rated DC performance. The preferred connection is to the most negative constant potential in your system. In most analog systems this would be $-V_S$. For best AC performance, leave pin 6 open and leave unused sections unconnected.

Drift performance is specified by the “box method,” as illustrated in the Current vs Temperature plot of the typical performance curves. The upper and lower current extremes measured over temperature define the top and bottom of the box. The sides are determined by the specified temperature range of the device. The drift of the unit is the slope of the diagonal—typically 25ppm/°C from -25°C to $+85^{\circ}\text{C}$.

If the current sources are subjected to reverse voltage, a protection diode may be required. A reverse voltage circuit model of the REF200 is shown in the Reverse Current vs Reverse Voltage curve. If reverse voltage is limited to less than 6V or reverse current is limited to less than $350\mu\text{A}$, no protection circuitry is required. A parallel diode (Figure 2a) will protect the device by limiting the reverse voltage across the current source to approximately 0.7V. In some applications, a series diode may be preferable (Figure 2b) because it allows no reverse current. This will, however, reduce the compliance voltage range by one diode drop.

Applications for the REF200 are limitless. Application Bulletin AB-165 shows additional REF200 circuits as well as other related current source techniques. A collection of circuits is shown to illustrate some techniques. Also, see AB-165A.

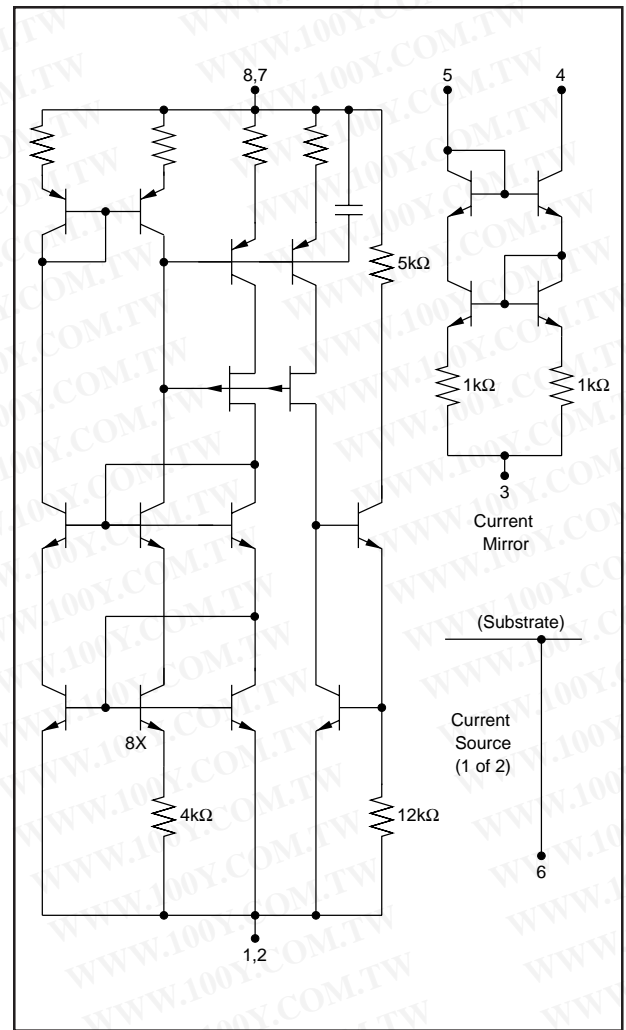


FIGURE 1. Simplified Circuit Diagram.

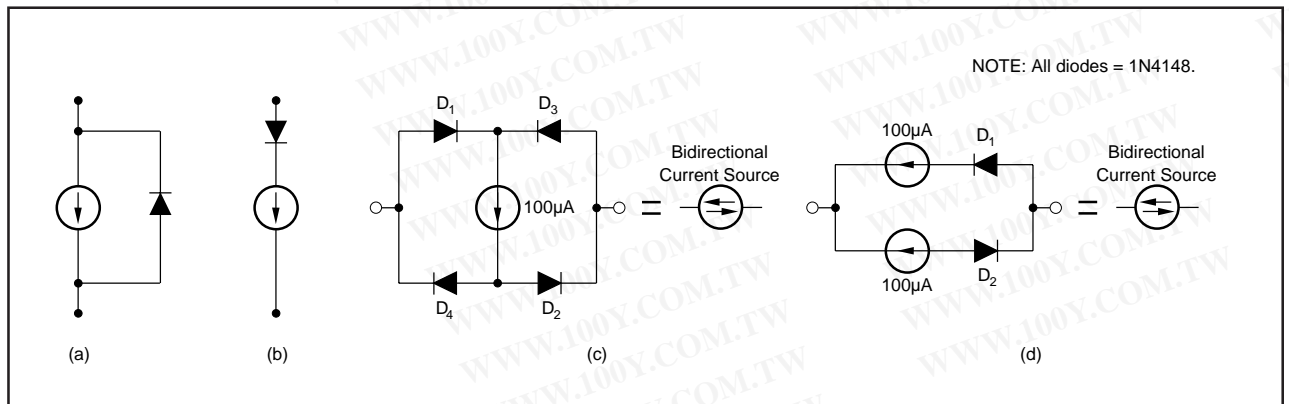


FIGURE 2. Reverse Voltage Protection.

勝特力材料 886-3-5753170
 勝特力电子(上海) 86-21-54151736
 勝特力电子(深圳) 86-755-83298787
[Http://www.100y.com.tw](http://www.100y.com.tw)

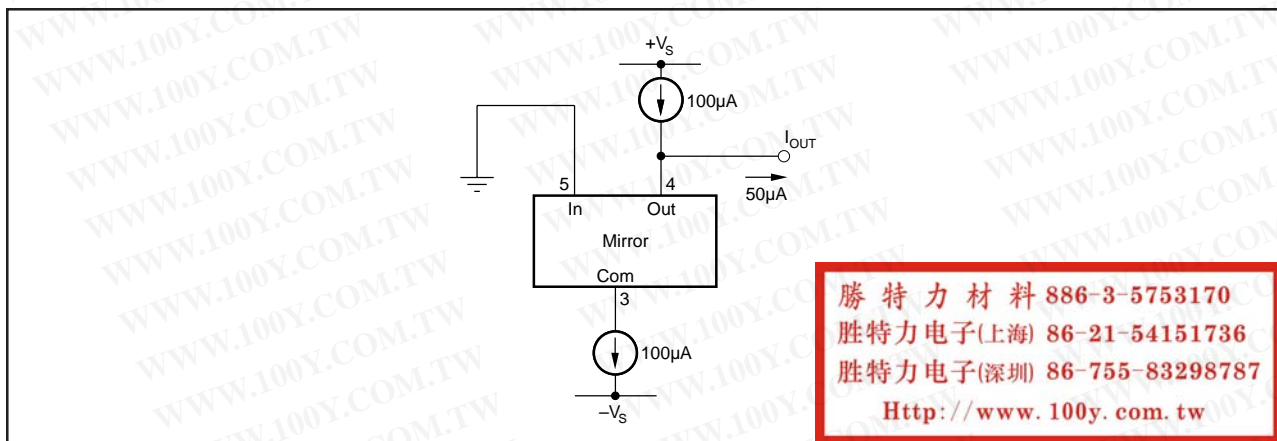


FIGURE 3. 50µA Current Source.

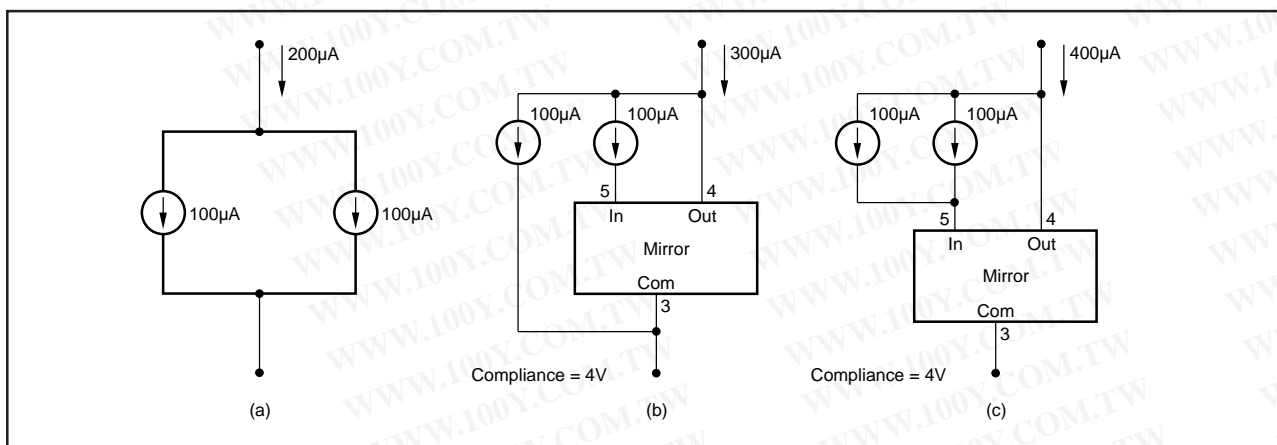


FIGURE 4. 200µA, 300µA, and 400µA Floating Current Sources.

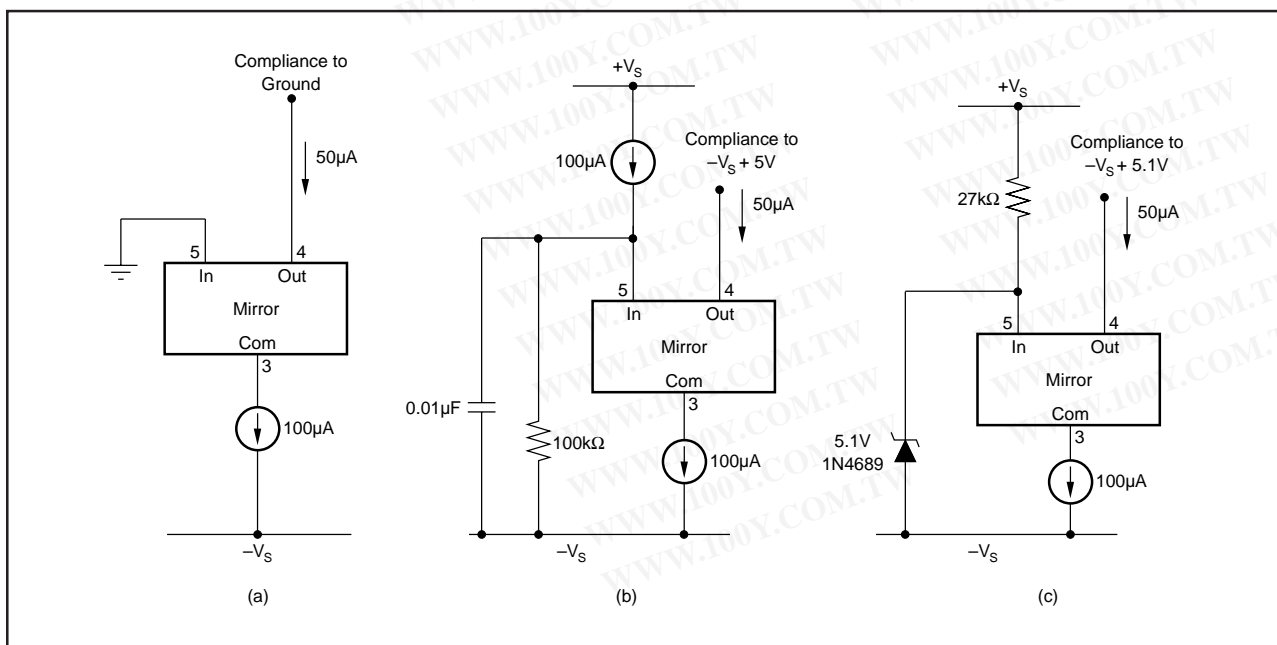


FIGURE 5. 50µA Current Sinks.

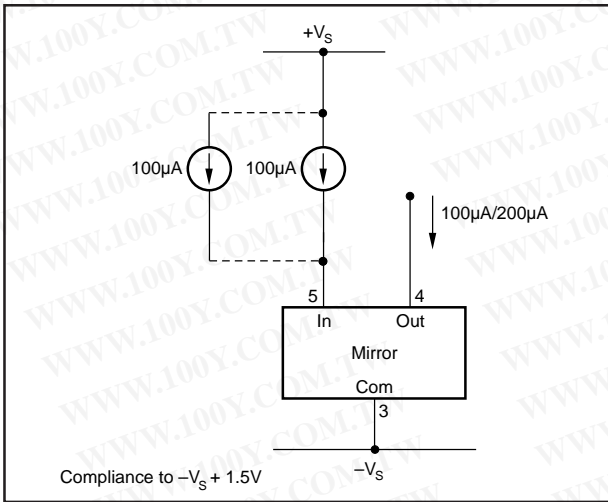


FIGURE 6. Improved Low-Voltage Compliance.

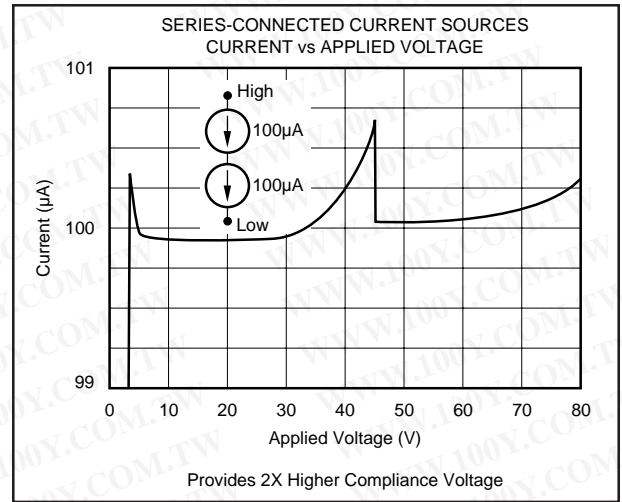


FIGURE 7. 100µA Current Source—80V Compliance.

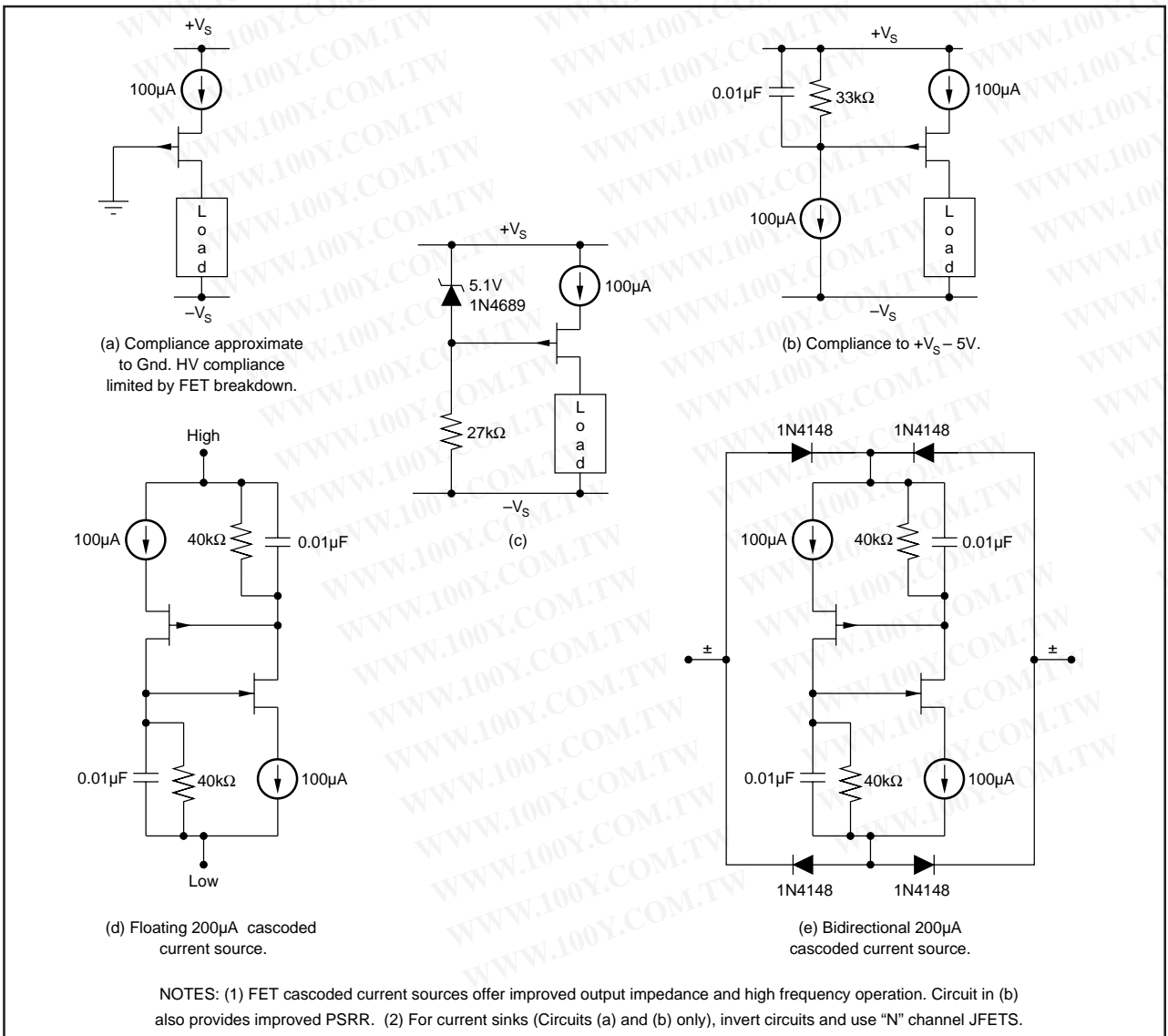


FIGURE 8. FET Cascode Circuits.

勝特力材料 886-3-5753170
 勝特力电子(上海) 86-21-54151736
 勝特力电子(深圳) 86-755-83298787
[Http://www.100y.com.tw](http://www.100y.com.tw)

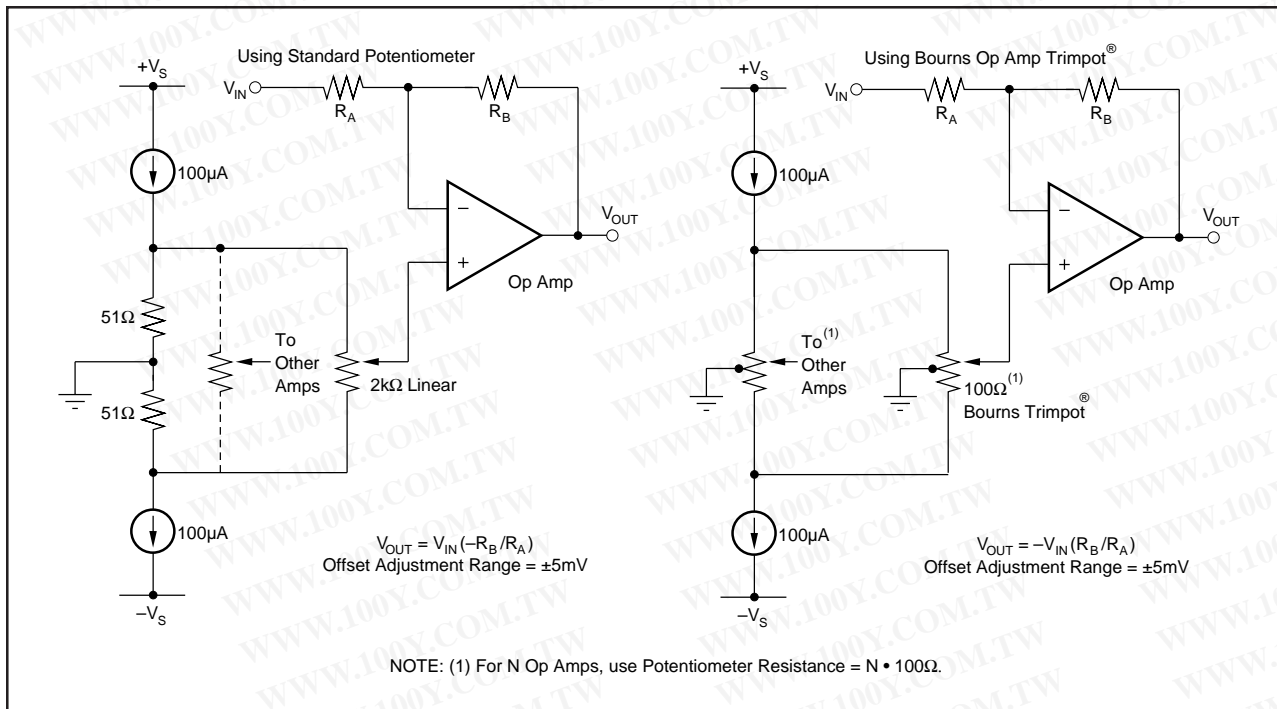


FIGURE 9. Op Amp Offset Adjustment Circuits.

勝特力材料 886-3-5753170
 勝特力电子(上海) 86-21-54151736
 勝特力电子(深圳) 86-755-83298787
[Http://www.100y.com.tw](http://www.100y.com.tw)

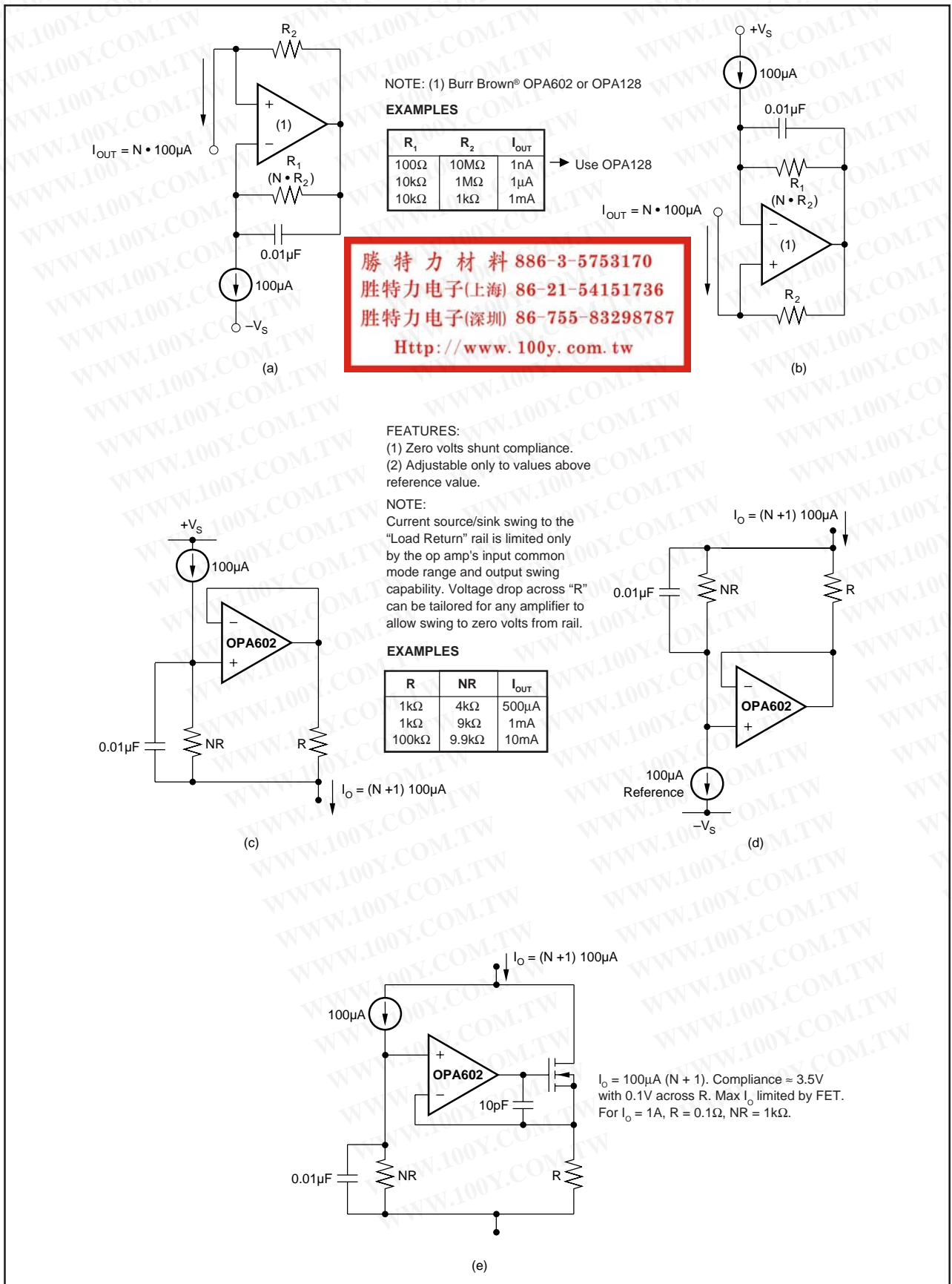


FIGURE 10. Adjustable Current Sources.

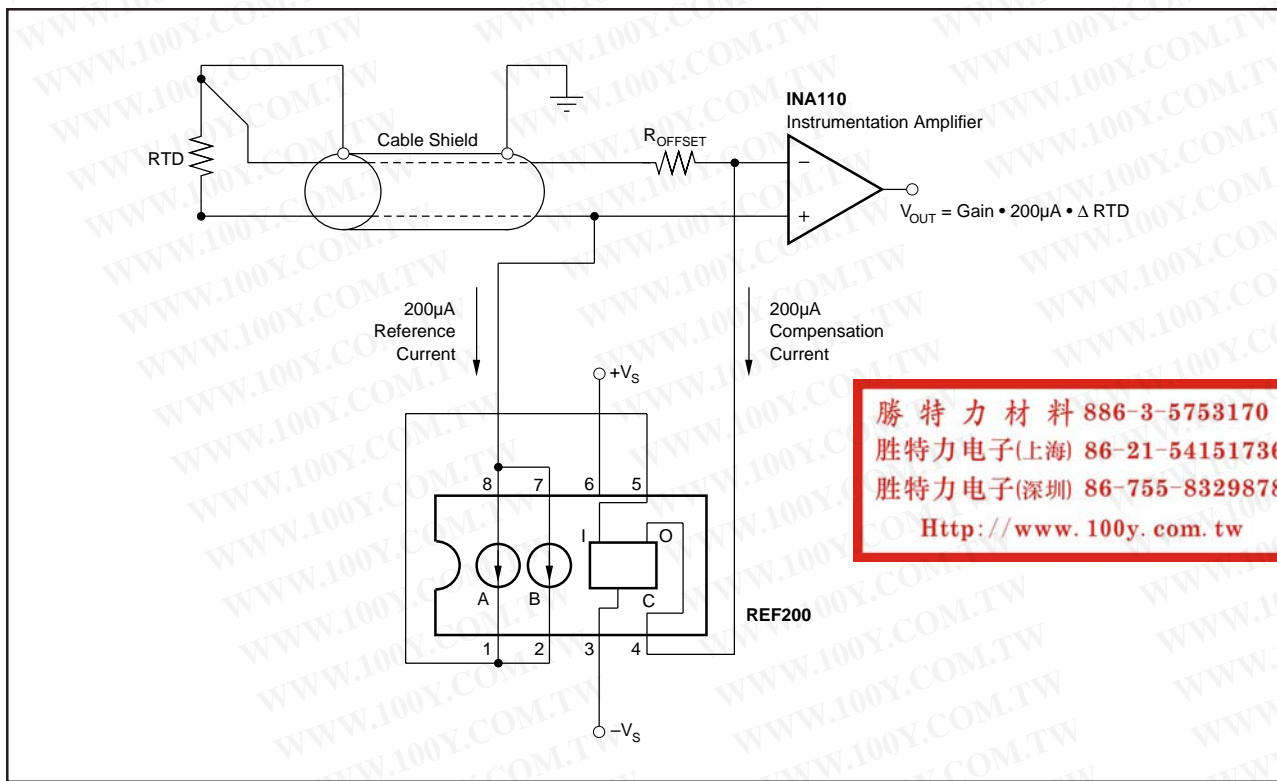


FIGURE 11. RTD Excitation With Three Wire Lead Resistance Compensation.

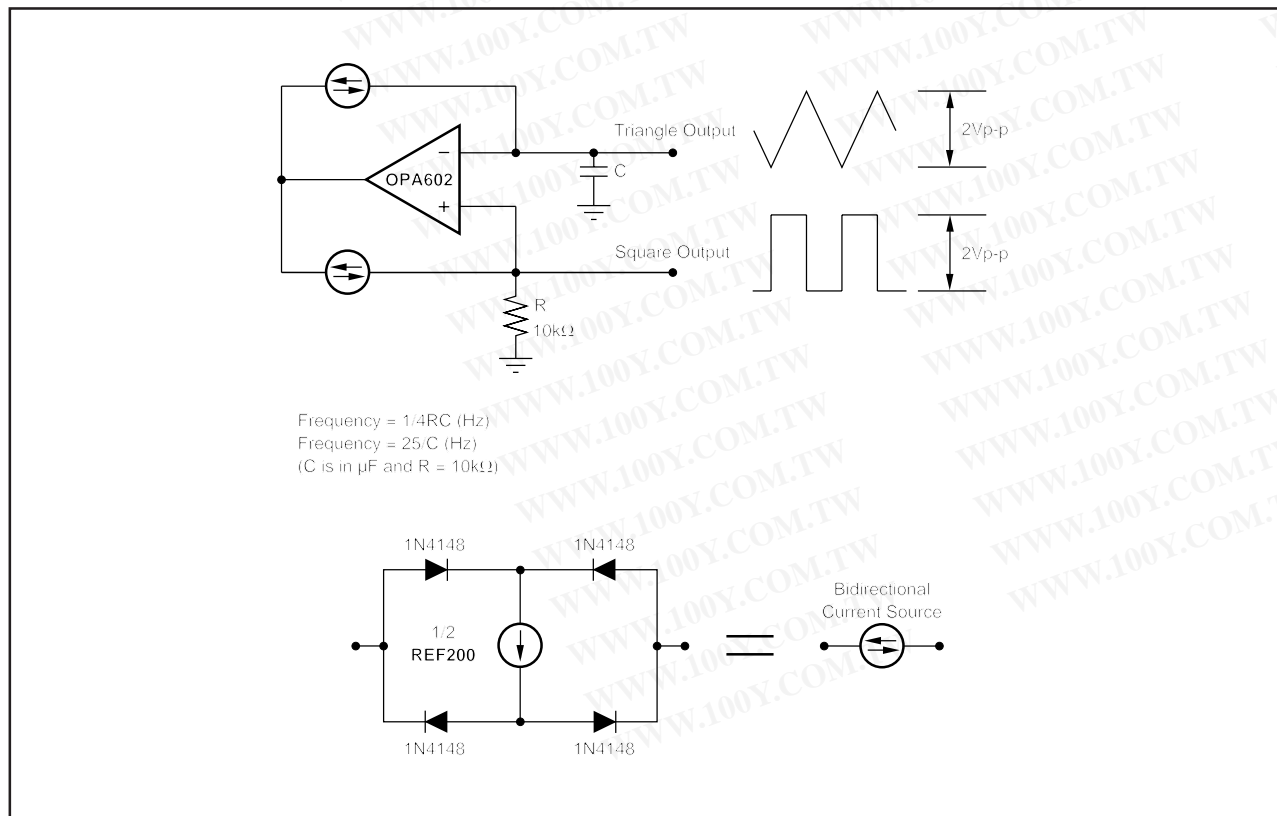


FIGURE 12. Precision Triangle Waveform Generator.

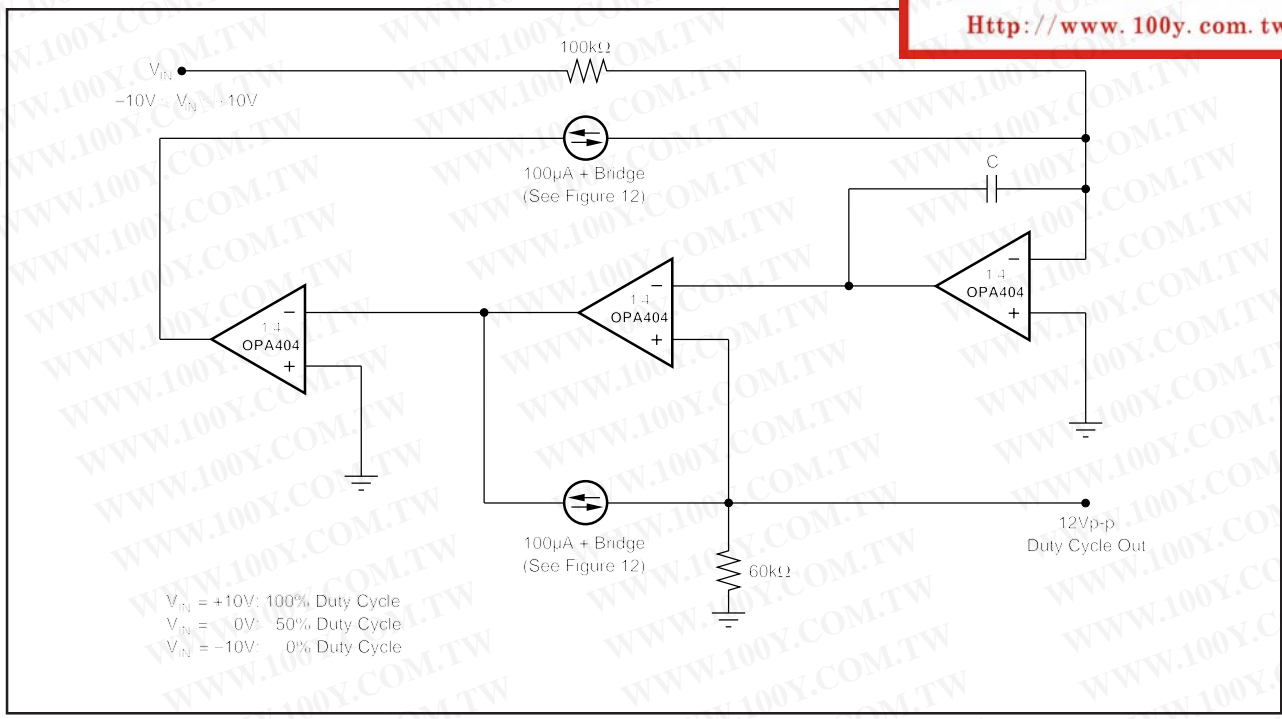


FIGURE 13. Precision Duty-Cycle Modulator.

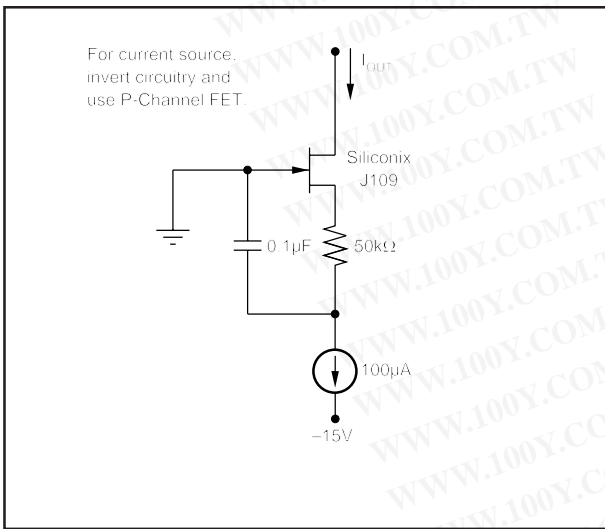


FIGURE 14. Low Noise Current Sink.

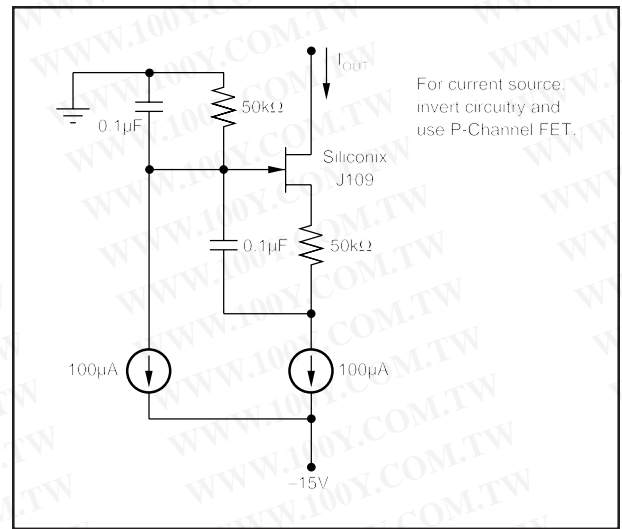


FIGURE 15. Low Noise Current Sink with Compliance Below Ground.

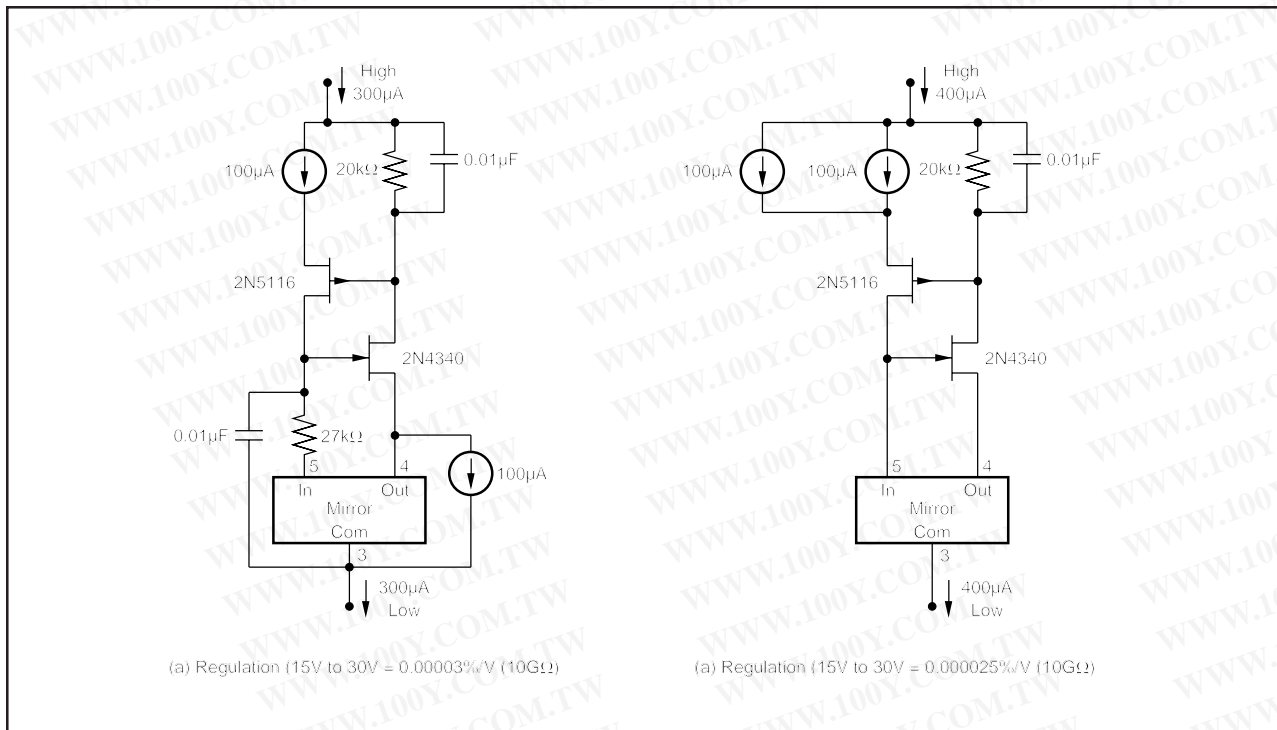


FIGURE 16. Floating 300µA and 400µA Cascoded Current Sources.

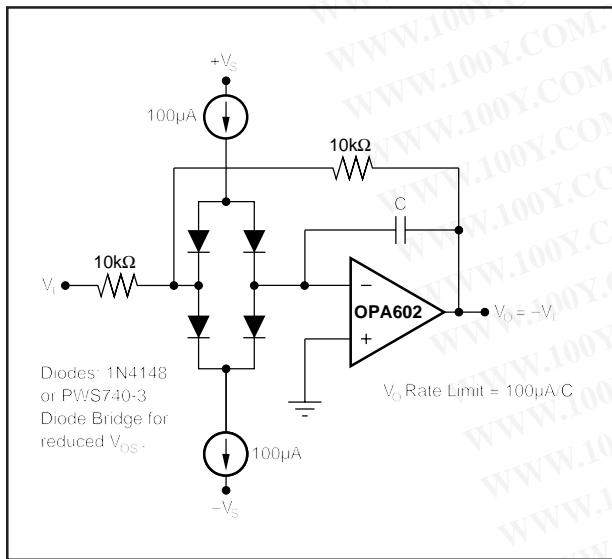


FIGURE 17. Rate Limiter.

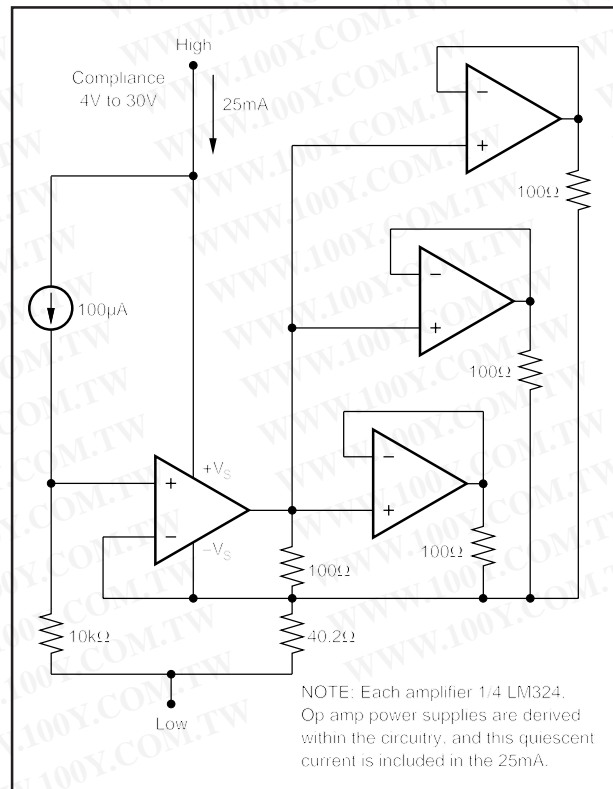


FIGURE 18. 25mA Floating Current Source.

勝特力材料 886-3-5753170
勝特力电子(上海) 86-21-54151736
勝特力电子(深圳) 86-755-83298787
[Http://www.100y.com.tw](http://www.100y.com.tw)

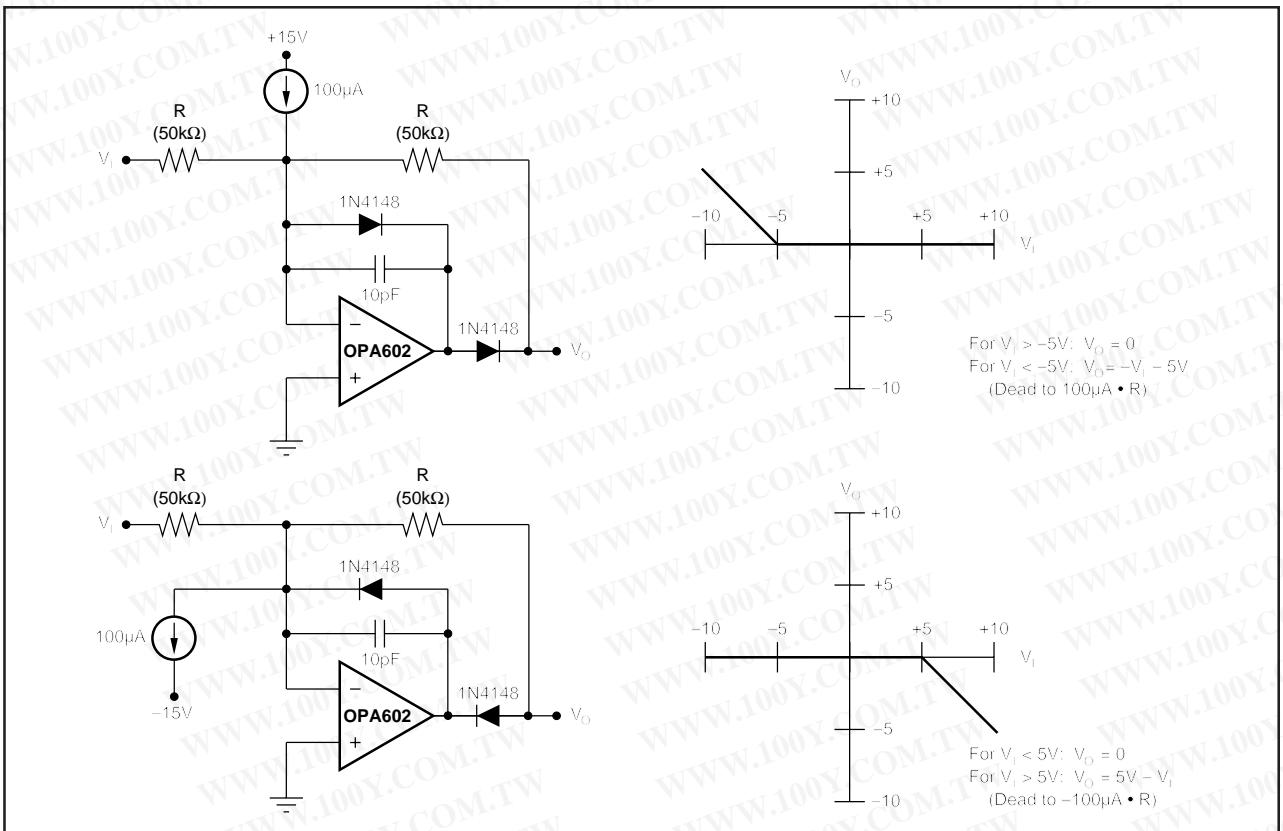


FIGURE 19. Dead-Band Circuit.

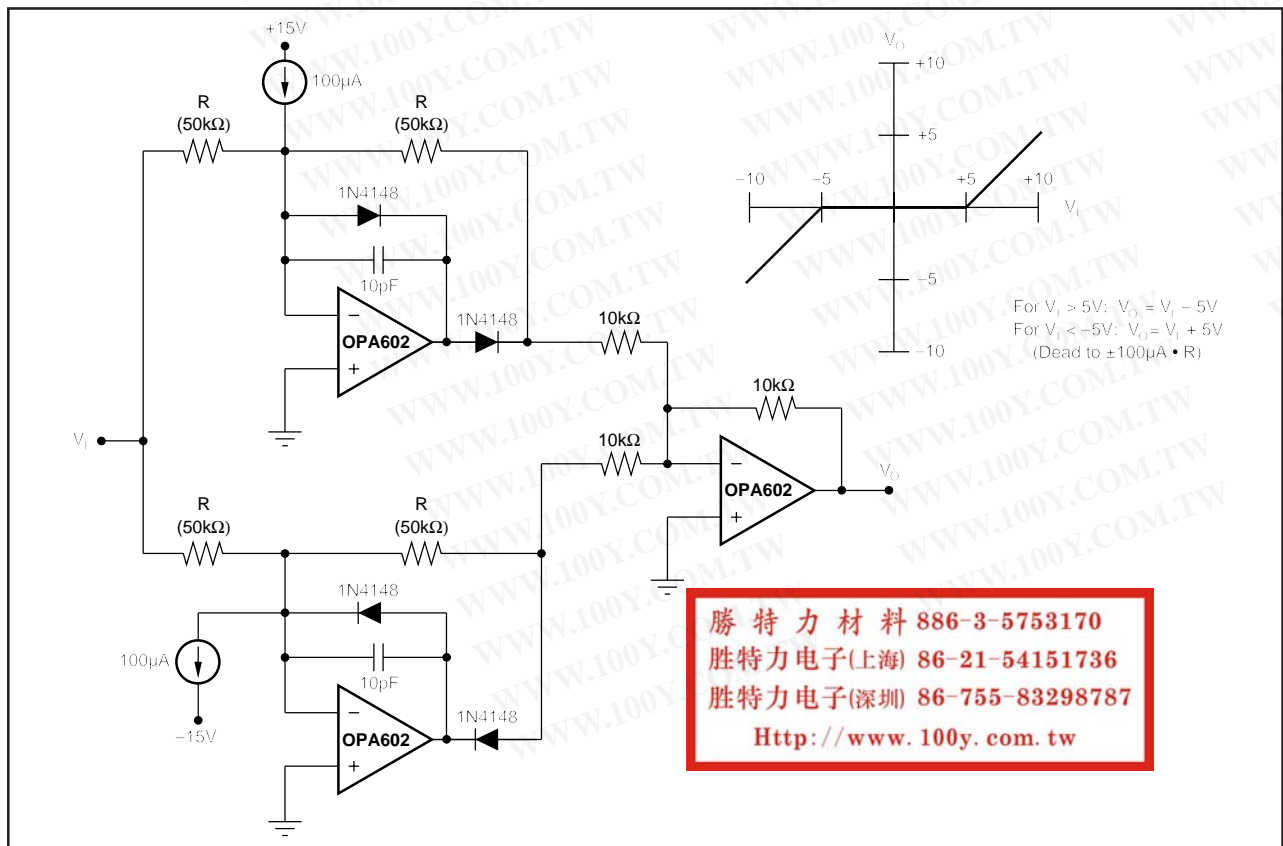


FIGURE 20. Double Dead-Band Circuit.

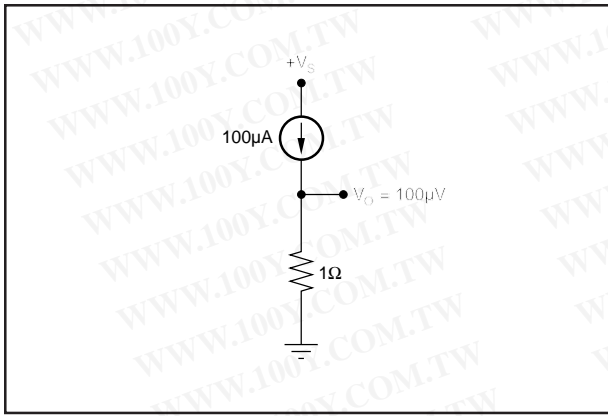


FIGURE 21. Low-Voltage Reference.

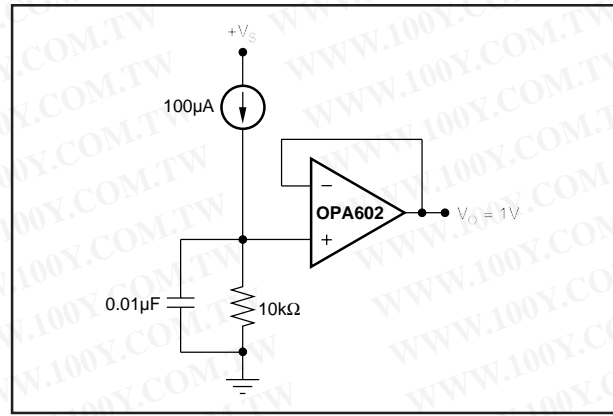


FIGURE 22. Voltage Reference.

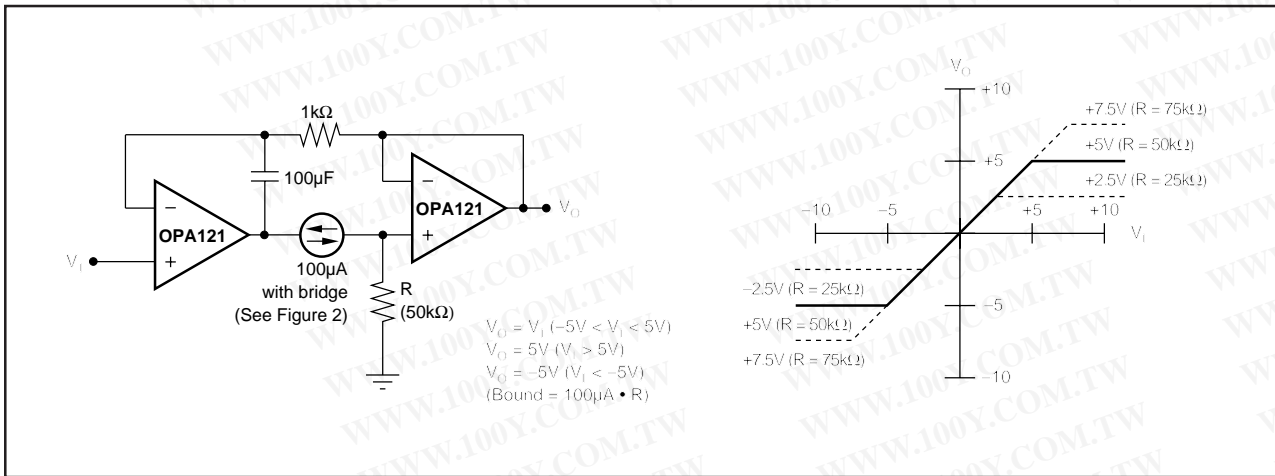


FIGURE 23. Bipolar Limiting Circuit.

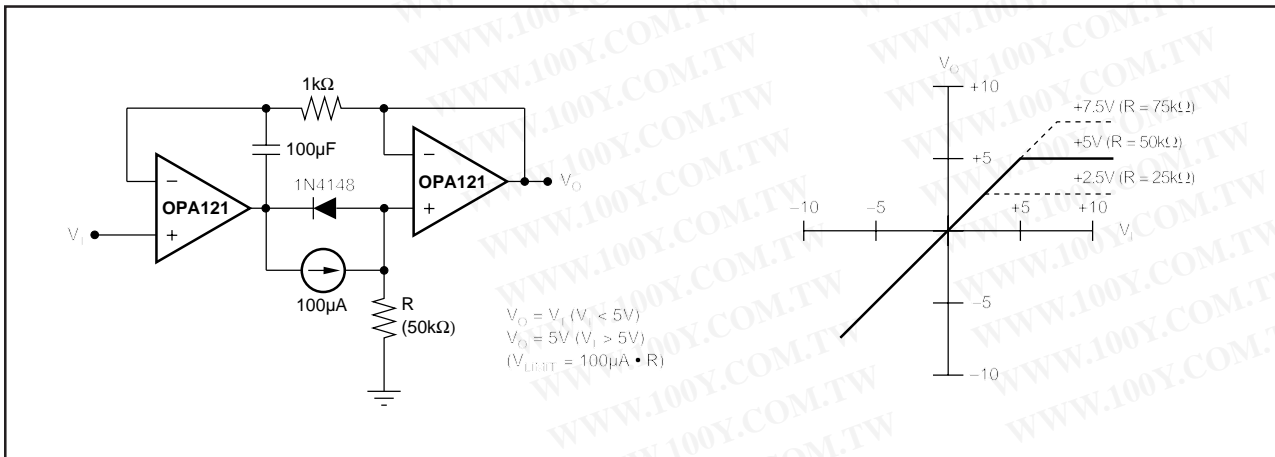


FIGURE 24. Limiting Circuit.

勝特力材料 886-3-5753170
 勝特力电子(上海) 86-21-54151736
 勝特力电子(深圳) 86-755-83298787
[Http://www.100y.com.tw](http://www.100y.com.tw)

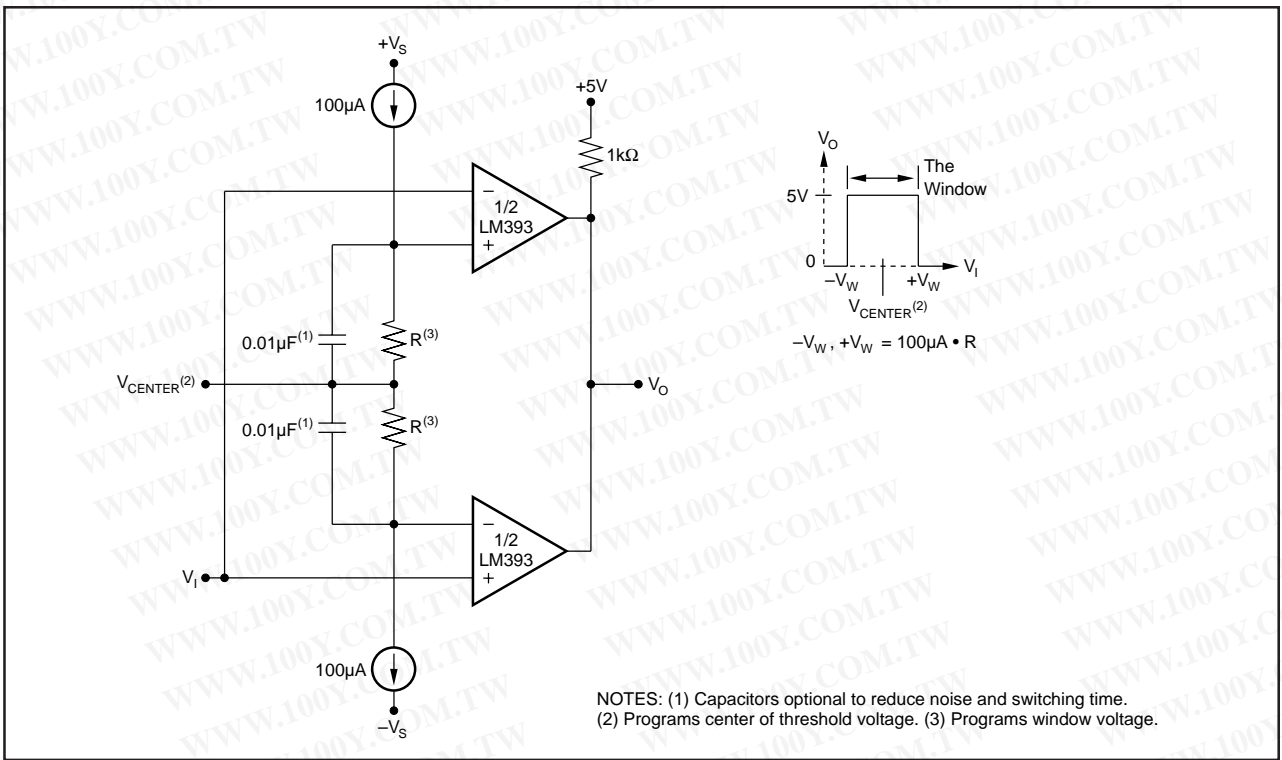


FIGURE 25. Window Comparator.

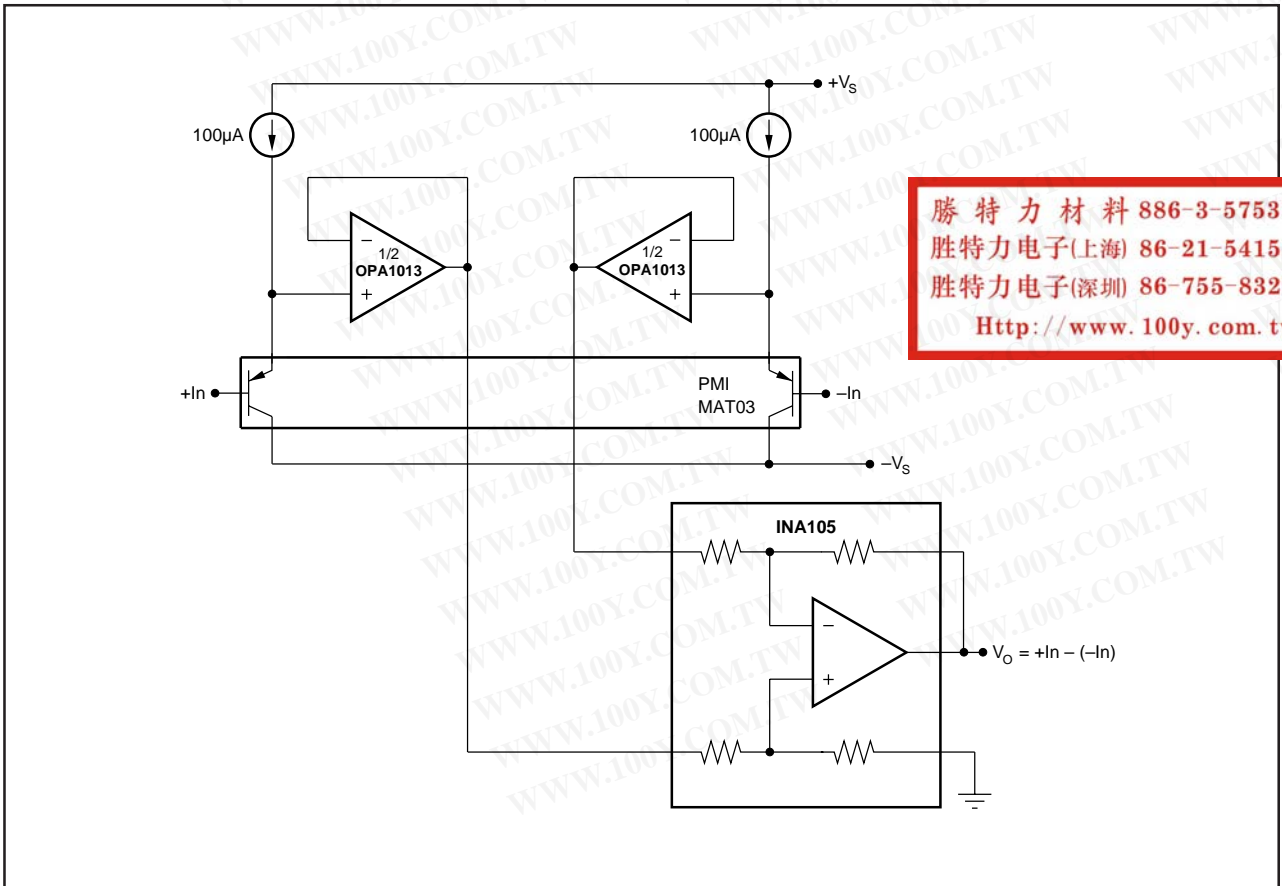


FIGURE 26. Instrumentation Amplifier with Compliance to $-V_S$.

PACKAGING INFORMATION

Orderable Device	Status ⁽¹⁾	Package Type	Package Drawing	Pins	Package Qty	Eco Plan ⁽²⁾	Lead/Ball Finish	MSL Peak Temp ⁽³⁾
REF200AP	OBSOLETE	PDIP	P	8		None	Call TI	Call TI
REF200AU	ACTIVE	SOIC	D	8	100	None	CU SNPB	Level-2-220C-1 YEAR
REF200AU/2K5	ACTIVE	SOIC	D	8	2500	None	CU SNPB	Level-2-220C-1 YEAR

⁽¹⁾ The marketing status values are defined as follows:

ACTIVE: Product device recommended for new designs.

LIFEBUY: TI has announced that the device will be discontinued, and a lifetime-buy period is in effect.

NRND: Not recommended for new designs. Device is in production to support existing customers, but TI does not recommend using this part in a new design.

PREVIEW: Device has been announced but is not in production. Samples may or may not be available.

OBSOLETE: TI has discontinued the production of the device.

⁽²⁾ Eco Plan - May not be currently available - please check <http://www.ti.com/productcontent> for the latest availability information and additional product content details.

None: Not yet available Lead (Pb-Free).

Pb-Free (RoHS): TI's terms "Lead-Free" or "Pb-Free" mean semiconductor products that are compatible with the current RoHS requirements for all 6 substances, including the requirement that lead not exceed 0.1% by weight in homogeneous materials. Where designed to be soldered at high temperatures, TI Pb-Free products are suitable for use in specified lead-free processes.

Green (RoHS & no Sb/Br): TI defines "Green" to mean "Pb-Free" and in addition, uses package materials that do not contain halogens, including bromine (Br) or antimony (Sb) above 0.1% of total product weight.

⁽³⁾ MSL, Peak Temp. -- The Moisture Sensitivity Level rating according to the JEDEC industry standard classifications, and peak solder temperature.

Important Information and Disclaimer: The information provided on this page represents TI's knowledge and belief as of the date that it is provided. TI bases its knowledge and belief on information provided by third parties, and makes no representation or warranty as to the accuracy of such information. Efforts are underway to better integrate information from third parties. TI has taken and continues to take reasonable steps to provide representative and accurate information but may not have conducted destructive testing or chemical analysis on incoming materials and chemicals. TI and TI suppliers consider certain information to be proprietary, and thus CAS numbers and other limited information may not be available for release.

In no event shall TI's liability arising out of such information exceed the total purchase price of the TI part(s) at issue in this document sold by TI to Customer on an annual basis.

勝特力材料 886-3-5753170
 勝特力电子(上海) 86-21-54151736
 勝特力电子(深圳) 86-755-83298787
 Http://www.100y.com.tw