

# SN54ALS652, SN54ALS653, SN54AS651, SN54AS652 SN74ALS651A, SN74ALS652A, SN74ALS653, SN74ALS654, SN74AS651, SN74AS652 OCTAL BUS TRANSCEIVERS AND REGISTERS WITH 3-STATE OUTPUTS

SDAS066G – DECEMBER 1983 – REVISED DECEMBER 2000

- Bus Transceivers/Registers
- Independent Registers and Enables for A and B Buses
- Multiplexed Real-Time and Stored Data
- Choice of True or Inverting Data Paths
- Choice of 3-State or Open-Collector Outputs to A Bus

DEVICE	A OUTPUT	B OUTPUT	LOGIC
SN74ALS651A, 'AS651	3-State	3-State	Inverting
SN54ALS652, SN74ALS652A, 'AS652	3-State	3-State	True
'ALS653	Open Collector	3-State	Inverting
SN74ALS654	Open Collector	3-State	True

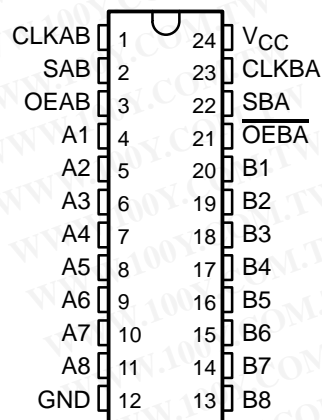
## description

These devices consist of bus-transceiver circuits, D-type flip-flops, and control circuitry arranged for multiplexed transmission of data directly from the data bus or from the internal storage registers. Output-enable (OEAB and  $\overline{\text{OEBA}}$ ) inputs are provided to control the transceiver functions. Select-control (SAB and SBA) inputs are provided to select real-time or stored data transfer. The circuitry used for select control eliminates the typical decoding glitch that occurs in a multiplexer during the transition between stored and real-time data. A low input level selects real-time data, and a high input level selects stored data. Figure 1 illustrates the four fundamental bus-management functions that can be performed with the octal bus transceivers and registers

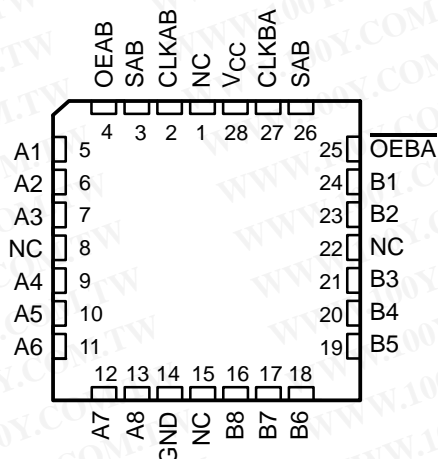
Data on the A or B data bus, or both, can be stored in the internal D-type flip-flops by low-to-high transitions at the appropriate clock (CLKAB or CLKBA) terminals, regardless of the select- or output-control terminals. When SAB and SBA are in the real-time transfer mode, it is possible to store data without using the internal D-type flip-flops by simultaneously enabling OEAB and  $\overline{\text{OEBA}}$ . In this configuration, each output reinforces its input. When all other data sources to the two sets of bus lines are at high impedance, each set of bus lines remains at its last state.

The -1 versions of the SN74ALS651A and SN74ALS652A are identical to the standard versions except that the recommended maximum  $I_{OL}$  for the -1 versions is increased to 48 mA. There are no -1 versions of the SN54ALS652, SN54ALS653, SN74ALS653, and SN74ALS654.

SN54ALS', SN54AS' ... JT PACKAGE  
SN74ALS', SN74AS' ... DW OR NT PACKAGE  
(TOP VIEW)



SN54ALS', SN54AS' ... FK PACKAGE  
(TOP VIEW)



NC – No internal connection



Please be aware that an important notice concerning availability, standard warranty, and use in critical applications of Texas Instruments semiconductor products and disclaimers thereto appears at the end of this data sheet.

勝特力材料 886-3-5753170  
勝特力电子(上海) 86-21-34970699  
勝特力电子(深圳) 86-755-83298787  
[Http://www.100y.com.tw](http://www.100y.com.tw)

PRODUCTION DATA information is current as of publication date. Products conform to specifications per the terms of Texas Instruments standard warranty. Production processing does not necessarily include testing of all parameters.

 **TEXAS  
INSTRUMENTS**

POST OFFICE BOX 655303 • DALLAS, TEXAS 75265

Copyright © 2000, Texas Instruments Incorporated

**SN54ALS652, SN54ALS653, SN54AS651, SN54AS652  
 SN74ALS651A, SN74ALS652A, SN74ALS653, SN74ALS654, SN74AS651, SN74AS652  
 OCTAL BUS TRANSCEIVERS AND REGISTERS WITH 3-STATE OUTPUTS**

SDAS066G – DECEMBER 1983 – REVISED DECEMBER 2000

**ORDERING INFORMATION**

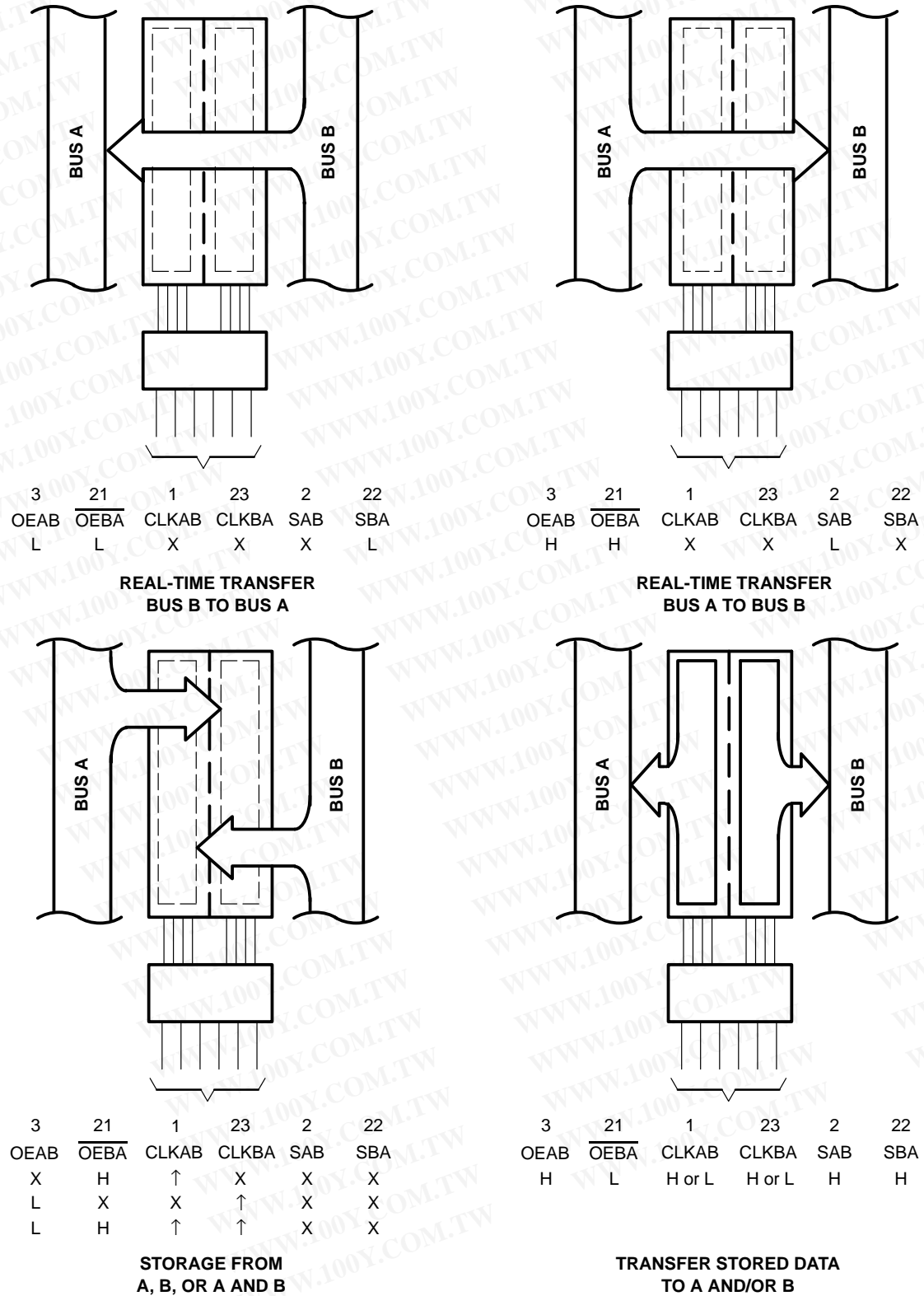
TA	PACKAGE†		ORDERABLE PART NUMBER	TOP-SIDE MARKING
0°C to 70°C	PDIP – NT	Tube	SN74ALS651ANT	SN74ALS651ANT
			SN74ALS652ANT	SN74ALS652ANT
			SN74ALS653NT	SN74ALS653NT
			SN74ALS654NT	SN74ALS654NT
			SN74AS651NT	SN74AS651NT
			SN74AS652NT	SN74AS652NT
	SOIC – DW	Tube	SN74ALS651ADW	ALS651A
			SN74ALS651ADWR	
		Tape and reel	SN74ALS652ADW	ALS652A
			SN74ALS652ADWR	
		Tube	SN74ALS653DW	ALS653
			SN74ALS653DWR	
		Tape and reel	SN74ALS654DW	ALS654
			SN74ALS654DWR	
		Tube	SN74AS651DW	AS651
			SN74AS651DWR	
		Tape and reel	SN74AS652DW	AS652
			SN74AS652DWR	
–55°C to 125°C	CDIP – JT	Tube	SNJ54ALS652JT	SNJ54ALS652JT
			SNJ54ALS653JT	SNJ54ALS653JT
			SNJ54AS651JT	SNJ54AS651JT
			SNJ54AS652JT	SNJ54AS652JT
	LCCC – FK	Tube	SNJ54ALS652FK	SNJ54ALS652FK
			SNJ54ALS653FK	SNJ54ALS653FK
			SNJ54AS651FK	SNJ54AS651FK
			SNJ54AS652FK	SNJ54AS652FK

† Package drawings, standard packing quantities, thermal data, symbolization, and PCB design guidelines are available at [www.ti.com/sc/package](http://www.ti.com/sc/package).



SN54ALS652, SN54ALS653, SN54AS651, SN54AS652  
 SN74ALS651A, SN74ALS652A, SN74ALS653, SN74ALS654, SN74AS651, SN74AS652  
 OCTAL BUS TRANSCEIVERS AND REGISTERS WITH 3-STATE OUTPUTS

SDAS066G – DECEMBER 1983 – REVISED DECEMBER 2000



Pin numbers shown are for the DW, JT, and NT packages.

Figure 1. Bus-Management Functions



**SN54ALS652, SN54ALS653, SN54AS651, SN54AS652  
SN74ALS651A, SN74ALS652A, SN74ALS653, SN74ALS654, SN74AS651, SN74AS652  
OCTAL BUS TRANSCEIVERS AND REGISTERS WITH 3-STATE OUTPUTS**

SDAS066G – DECEMBER 1983 – REVISED DECEMBER 2000

**Function Tables**

**SN54ALS653, SN54AS651,  
SN74ALS651A, SN74ALS653, SN74AS651**

INPUTS						DATA I/O†		OPERATION OR FUNCTION
OEAB	OEBA	CLKAB	CLKBA	SAB	SBA	A1–A8	B1–B8	
L	H	H or L	H or L	X	X	Input	Input	Isolation
L	H	↑	↑	X	X	Input	Input	Store A and B data
X	H	↑	H or L	X	X	Input	Unspecified‡	Store A, hold B
H	H	↑	↑	X‡	X	Input	Output	Store A in both registers
L	X	H or L	↑	X	X	Unspecified‡	Input	Hold A, store B
L	L	↑	↑	X	X‡	Output	Input	Store B in both registers
L	L	X	X	X	L	Output	Input	Real-time $\overline{B}$ data to A bus
L	L	X	H or L	X	H	Output	Input	Stored $\overline{B}$ data to A bus
H	H	X	X	L	X	Input	Output	Real-time $\overline{A}$ data to B bus
H	H	H or L	X	H	X	Input	Output	Stored $\overline{A}$ data to B bus
H	L	H or L	H or L	H	H	Output	Output	Stored $\overline{A}$ data to B bus and stored $\overline{B}$ data to A bus

† The data output functions can be enabled or disabled by a variety of level combinations at OEAB or OEBA. Data input functions always are enabled; i.e., data at the bus terminals is stored on every low-to-high transition on the clock inputs.

‡ Select control = L: clocks can occur simultaneously.

Select control = H: clocks must be staggered to load both registers.

**SN54ALS652, SN54AS652,  
SN74ALS652A, SN74ALS654, SN74AS652**

INPUTS						DATA I/O†		OPERATION OR FUNCTION
OEAB	OEBA	CLKAB	CLKBA	SAB	SBA	A1–A8	B1–B8	
L	H	H or L	H or L	X	X	Input	Input	Isolation
L	H	↑	↑	X	X	Input	Input	Store A and B data
X	H	↑	H or L	X	X	Input	Unspecified‡	Store A, hold B
H	H	↑	↑	X‡	X	Input	Output	Store A in both registers
L	X	H or L	↑	X	X	Unspecified‡	Input	Hold A, store B
L	L	↑	↑	X	X‡	Output	Input	Store B in both registers
L	L	X	X	X	L	Output	Input	Real-time B data to A bus
L	L	X	H or L	X	H	Output	Input	Stored B data to A bus
H	H	X	X	L	X	Input	Output	Real-time A data to B bus
H	H	H or L	X	H	X	Input	Output	Stored A data to B bus
H	L	H or L	H or L	H	H	Output	Output	Stored A data to B bus and stored B data to A bus

† The data output functions can be enabled or disabled by a variety of level combinations at OEAB or OEBA. Data input functions always are enabled; i.e., data at the bus terminals is stored on every low-to-high transition on the clock inputs.

‡ Select control = L: clocks can occur simultaneously.

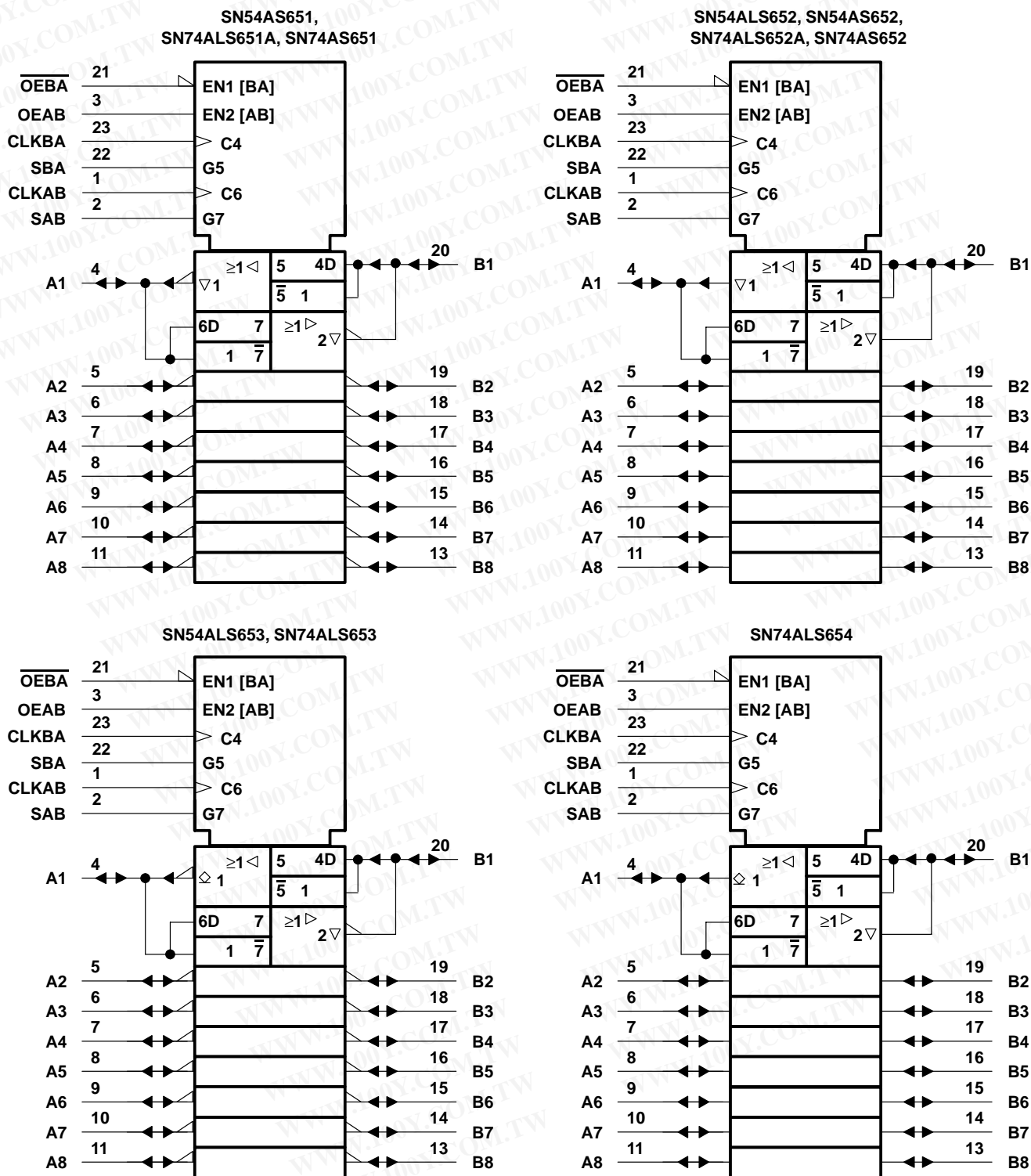
Select control = H: clocks must be staggered to load both registers.



# SN54ALS652, SN54ALS653, SN54AS651, SN54AS652 SN74ALS651A, SN74ALS652A, SN74ALS653, SN74ALS654, SN74AS651, SN74AS652 OCTAL BUS TRANSCEIVERS AND REGISTERS WITH 3-STATE OUTPUTS

SDAS066G – DECEMBER 1983 – REVISED DECEMBER 2000

## logic symbols†

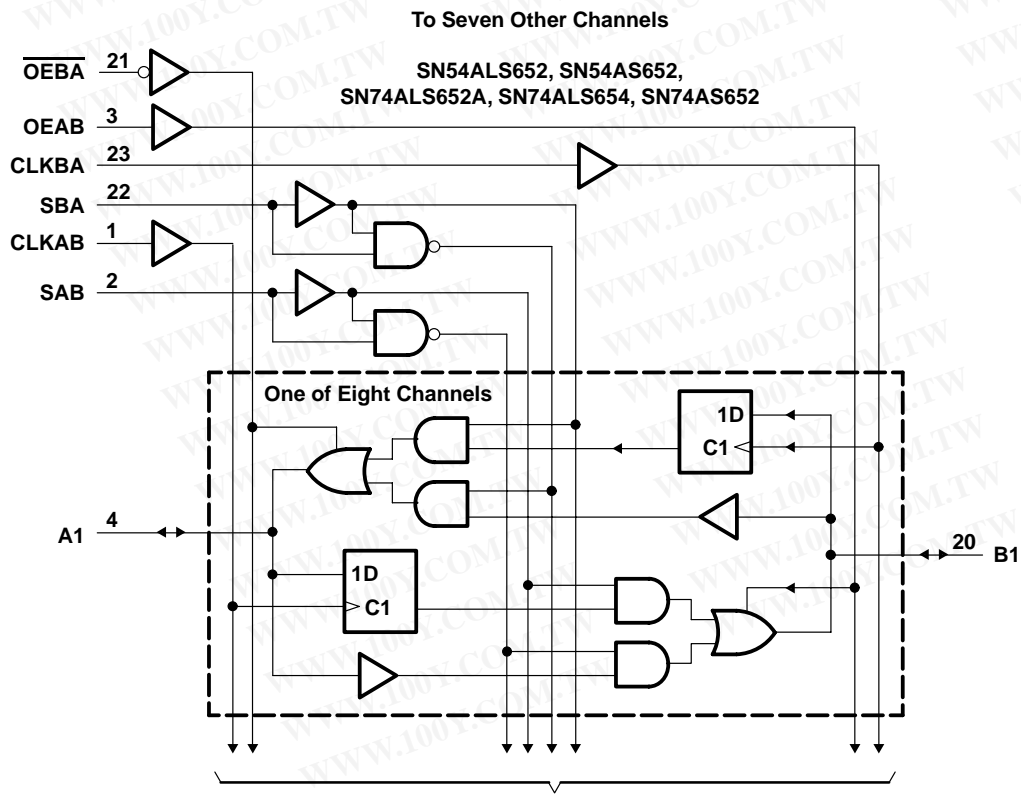
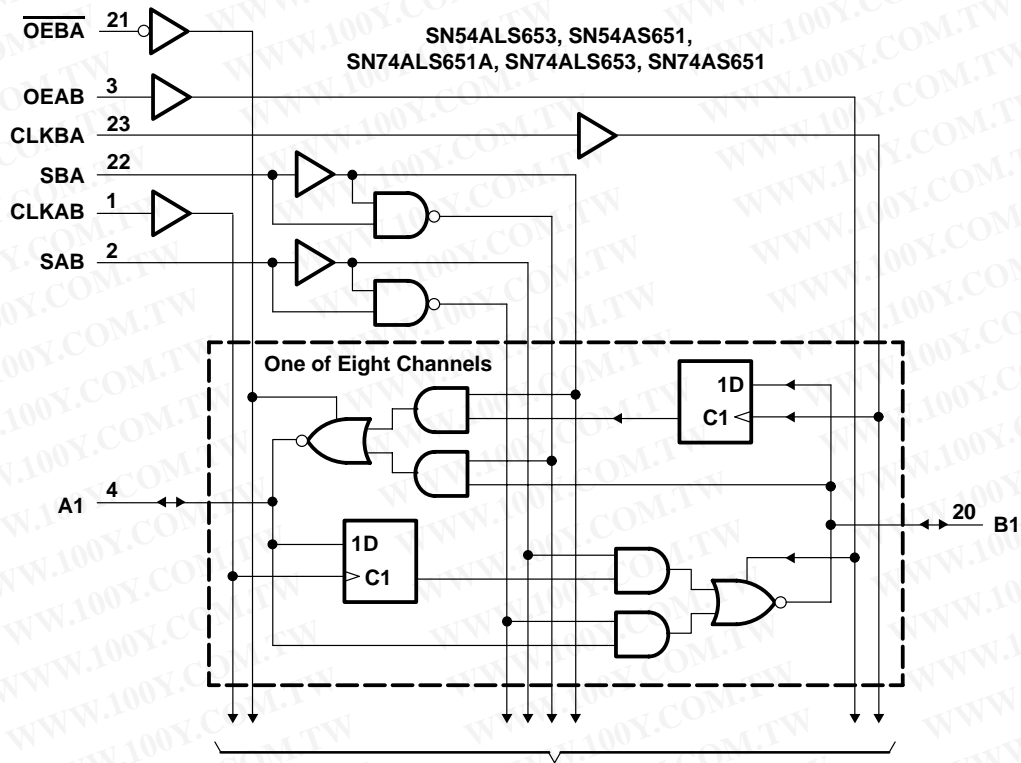


† These symbols are in accordance with ANSI/IEEE Std 91-1984 and IEC Publication 617-12. Pin numbers shown are for the DW, JT, and NT packages.

**SN54ALS652, SN54ALS653, SN54AS651, SN54AS652  
 SN74ALS651A, SN74ALS652A, SN74ALS653, SN74ALS654, SN74AS651, SN74AS652  
 OCTAL BUS TRANSCEIVERS AND REGISTERS WITH 3-STATE OUTPUTS**

SDAS066G – DECEMBER 1983 – REVISED DECEMBER 2000

**logic diagrams (positive logic)**



Pin numbers shown are for the DW, JT, and NT packages.



POST OFFICE BOX 655303 • DALLAS, TEXAS 75265



**SN54ALS652, SN54ALS653, SN54AS651, SN54AS652  
SN74ALS651A, SN74ALS652A, SN74ALS653, SN74ALS654, SN74AS651, SN74AS652  
OCTAL BUS TRANSCEIVERS AND REGISTERS WITH 3-STATE OUTPUTS**

SDAS066G – DECEMBER 1983 – REVISED DECEMBER 2000

**electrical characteristics over recommended operating free-air temperature range (unless otherwise noted)**

PARAMETER		TEST CONDITIONS		SN74ALS651A			UNIT
				MIN	TYP†	MAX	
V <sub>IK</sub>		V <sub>CC</sub> = 4.5 V,	I <sub>I</sub> = -18 mA	-1.2			V
V <sub>OH</sub>		V <sub>CC</sub> = 4.5 V to 5.5 V,	I <sub>OH</sub> = -0.4 mA	V <sub>CC</sub> -2			V
		V <sub>CC</sub> = 4.5 V	I <sub>OH</sub> = -3 mA	2.4	3.2		
V <sub>OL</sub>		V <sub>CC</sub> = 4.5 V	I <sub>OL</sub> = 12 mA	0.25	0.4	V	
			I <sub>OL</sub> = 24 mA	0.35	0.5		
		V <sub>CC</sub> = 4.75 V,	I <sub>OL</sub> = 48 mA (-1 versions)	0.35	0.5		
I <sub>I</sub>	Control inputs	V <sub>CC</sub> = 5.5 V,	V <sub>I</sub> = 7 V	0.1			mA
	A or B ports	V <sub>CC</sub> = 5.5 V,	V <sub>I</sub> = 5.5 V	0.1			
I <sub>IH</sub>	Control inputs	V <sub>CC</sub> = 5.5 V,	V <sub>I</sub> = 2.7 V	20			μA
	A or B ports‡			20			
I <sub>IL</sub>	Control inputs	V <sub>CC</sub> = 5.5 V,	V <sub>I</sub> = 0.4 V	-0.2			mA
	A or B ports‡			-0.2			
I <sub>OS</sub> §		V <sub>CC</sub> = 5.5 V,	V <sub>O</sub> = 2.25 V	-30	-112		mA
I <sub>CC</sub>		V <sub>CC</sub> = 5.5 V	Outputs high	42	68		mA
			Outputs low	52	82		
			Outputs disabled	52	82		

† All typical values are at V<sub>CC</sub> = 5 V, T<sub>A</sub> = 25°C.

‡ For I/O ports, the parameters I<sub>IH</sub> and I<sub>IL</sub> include the off-state output current.

§ The output conditions have been chosen to produce a current that closely approximates one-half of the true short-circuit output current, I<sub>OS</sub>.



**SN54ALS652, SN54ALS653, SN54AS651, SN54AS652  
SN74ALS651A, SN74ALS652A, SN74ALS653, SN74ALS654, SN74AS651, SN74AS652  
OCTAL BUS TRANSCEIVERS AND REGISTERS WITH 3-STATE OUTPUTS**

SDAS066G – DECEMBER 1983 – REVISED DECEMBER 2000

**electrical characteristics over recommended operating free-air temperature range (unless otherwise noted)**

PARAMETER	TEST CONDITIONS	SN54ALS652		SN74ALS652A		UNIT		
		MIN	TYP†	MAX	MIN		TYP†	MAX
$V_{IK}$	$V_{CC} = 4.5\text{ V}$ , $I_I = -18\text{ mA}$			-1.2		-1.2	V	
$V_{OH}$	$V_{CC} = 4.5\text{ V to }5.5\text{ V}$ , $I_{OH} = -0.4\text{ mA}$	$V_{CC}-2$		$V_{CC}-2$		V		
	$V_{CC} = 4.5\text{ V}$	$I_{OH} = -3\text{ mA}$	2.4	3.2	2.4		3.2	
		$I_{OH} = -12\text{ mA}$	2		2			
$V_{OL}$	$V_{CC} = 4.5\text{ V}$	$I_{OL} = 12\text{ mA}$	0.25	0.4	0.25	0.4	V	
		$I_{OL} = 24\text{ mA}$			0.35	0.5		
	$V_{CC} = 4.75\text{ V}$ , $I_{OL} = 48\text{ mA}$ (-1 versions)			0.35	0.5			
$I_I$	Control inputs	$V_{CC} = 5.5\text{ V}$ , $V_I = 7\text{ V}$		0.1		0.1	mA	
	A or B ports	$V_{CC} = 5.5\text{ V}$ , $V_I = 5.5\text{ V}$		0.1		0.1		
$I_{IH}$	Control inputs	$V_{CC} = 5.5\text{ V}$ , $V_I = 2.7\text{ V}$		20		20	$\mu\text{A}$	
	A or B ports‡			20		20		
$I_{IL}$	Control inputs	$V_{CC} = 5.5\text{ V}$ , $V_I = 0.4\text{ V}$		-0.2		-0.2	mA	
	A or B ports‡			-0.2		-0.2		
$I_{O\S}$	$V_{CC} = 5.5\text{ V}$ , $V_O = 2.25\text{ V}$	-20		-112	-30		-112	mA
$I_{CC}$	$V_{CC} = 5.5\text{ V}$	Outputs high	47	76	47	76	mA	
		Outputs low	55	88	55	88		
		Outputs disabled	55	88	55	88		

† All typical values are at  $V_{CC} = 5\text{ V}$ ,  $T_A = 25^\circ\text{C}$ .

‡ For I/O ports, the parameters  $I_{IH}$  and  $I_{IL}$  include the off-state output current.

§ The output conditions have been chosen to produce a current that closely approximates one-half of the true short-circuit output current,  $I_{OS}$ .

**SN54ALS652, SN54ALS653, SN54AS651, SN54AS652  
 SN74ALS651A, SN74ALS652A, SN74ALS653, SN74ALS654, SN74AS651, SN74AS652  
 OCTAL BUS TRANSCEIVERS AND REGISTERS WITH 3-STATE OUTPUTS**

SDAS066G – DECEMBER 1983 – REVISED DECEMBER 2000

**switching characteristics (see Figure 2)**

PARAMETER	FROM (INPUT)	TO (OUTPUT)	V <sub>CC</sub> = 4.5 V to 5.5 V, C <sub>L</sub> = 50 pF, R <sub>1</sub> = 500 Ω, R <sub>2</sub> = 500 Ω, T <sub>A</sub> = MIN to MAX†		UNIT
			SN74ALS651A		
			MIN	MAX	
f <sub>max</sub>			40		MHz
t <sub>PLH</sub>	CLKBA or CLKAB	A or B	8	32	ns
t <sub>PHL</sub>			5	17	
t <sub>PLH</sub>	A or B	B or A	2	18	ns
t <sub>PHL</sub>			2	10	
t <sub>PLH</sub>	SBA or SAB‡ (with A or B high)	A or B	8	38	ns
t <sub>PHL</sub>			6	21	
t <sub>PLH</sub>	SBA or SAB‡ (with A or B low)	A or B	8	25	ns
t <sub>PHL</sub>			7	21	
t <sub>PZH</sub>	$\overline{OEBA}$	A	3	20	ns
t <sub>PZL</sub>			5	18	
t <sub>PHZ</sub>	$\overline{OEBA}$	A	2	9	ns
t <sub>PLZ</sub>			3	12	
t <sub>PZH</sub>	OEAB	B	3	22	ns
t <sub>PZL</sub>			6	21	
t <sub>PHZ</sub>	OEAB	B	2	12	ns
t <sub>PLZ</sub>			2	14	

† For conditions shown as MIN or MAX, use the appropriate value specified under recommended operating conditions.

‡ These parameters are measured with the internal output state of the storage register opposite that of the bus input.



**SN54ALS652, SN54ALS653, SN54AS651, SN54AS652**  
**SN74ALS651A, SN74ALS652A, SN74ALS653, SN74ALS654, SN74AS651, SN74AS652**  
**OCTAL BUS TRANSCEIVERS AND REGISTERS WITH 3-STATE OUTPUTS**

SDAS066G – DECEMBER 1983 – REVISED DECEMBER 2000

**switching characteristics (see Figure 2)**

PARAMETER	FROM (INPUT)	TO (OUTPUT)	V <sub>CC</sub> = 4.5 V to 5.5 V, C <sub>L</sub> = 50 pF, R1 = 500 Ω, R2 = 500 Ω, T <sub>A</sub> = MIN to MAX†				UNIT
			SN54ALS652		SN74ALS652A		
			MIN	MAX	MIN	MAX	
f <sub>max</sub>			35		40		MHz
t <sub>PLH</sub>	CLKBA or CLKAB	A or B	10	35	8	30	ns
t <sub>PHL</sub>			5	20	5	17	
t <sub>PLH</sub>	A or B	B or A	5	20	4	18	ns
t <sub>PHL</sub>			3	15	3	12	
t <sub>PLH</sub>	SBA or SAB‡ (with A or B high)	A or B	15	40	8	35	ns
t <sub>PHL</sub>			6	23	6	20	
t <sub>PLH</sub>	SBA or SAB‡ (with A or B low)	A or B	8	30	8	25	ns
t <sub>PHL</sub>			5	24	5	20	
t <sub>PZH</sub>	$\overline{OEBA}$	A	3	20	3	17	ns
t <sub>PZL</sub>			5	22	5	18	
t <sub>PHZ</sub>	$\overline{OEBA}$	A	1	12	1	10	ns
t <sub>PLZ</sub>			2	20	2	16	
t <sub>PZH</sub>	OEAB	B	8	25	3	22	ns
t <sub>PZL</sub>			6	21	5	18	
t <sub>PHZ</sub>	OEAB	B	1	12	1	10	ns
t <sub>PLZ</sub>			2	21	2	16	

† For conditions shown as MIN or MAX, use the appropriate value specified under recommended operating conditions.

‡ These parameters are measured with the internal output state of the storage register opposite that of the bus input.



**SN54ALS652, SN54ALS653, SN54AS651, SN54AS652  
SN74ALS651A, SN74ALS652A, SN74ALS653, SN74ALS654, SN74AS651, SN74AS652  
OCTAL BUS TRANSCEIVERS AND REGISTERS WITH 3-STATE OUTPUTS**

SDAS066G – DECEMBER 1983 – REVISED DECEMBER 2000

**electrical characteristics over recommended operating free-air temperature range (unless otherwise noted)**

PARAMETER		TEST CONDITIONS	SN54ALS653		SN74ALS653		UNIT		
			MIN	TYP†	MAX	MIN		TYP†	MAX
V <sub>IK</sub>		V <sub>CC</sub> = 4.5 V, I <sub>I</sub> = -18 mA			-1.2		V		
V <sub>OH</sub>	B ports	V <sub>CC</sub> = 4.5 V to 5.5 V, I <sub>OH</sub> = -0.4 mA	V <sub>CC</sub> -2		V <sub>CC</sub> -2		V		
		V <sub>CC</sub> = 4.5 V	I <sub>OH</sub> = -3 mA	2.4	3.2	2.4		3.2	
			I <sub>OH</sub> = -12 mA	2					
			I <sub>OH</sub> = -15 mA			2			
V <sub>OL</sub>	V <sub>CC</sub> = 4.5 V	I <sub>OL</sub> = 12 mA	0.25	0.4	0.25	0.4	V		
		I <sub>OL</sub> = 24 mA			0.35	0.5			
I <sub>I</sub>	Control inputs	V <sub>CC</sub> = 5.5 V, V <sub>I</sub> = 7 V			0.1		mA		
	A or B ports	V <sub>CC</sub> = 5.5 V, V <sub>I</sub> = 5.5 V			0.1				
I <sub>IH</sub>	Control inputs	V <sub>CC</sub> = 5.5 V, V <sub>I</sub> = 2.7 V			20		μA		
	A or B ports‡				20				
I <sub>IL</sub>	Control inputs	V <sub>CC</sub> = 5.5 V, V <sub>I</sub> = 0.4 V			-0.2		mA		
	A or B ports‡				-0.2				
I <sub>OH</sub>	A ports	V <sub>CC</sub> = 4.5 V, V <sub>OH</sub> = 5.5 V			0.1		mA		
I <sub>O</sub> §	B ports	V <sub>CC</sub> = 5.5 V, V <sub>O</sub> = 2.25 V	-20	-112	-30	-112	mA		
I <sub>CC</sub>		V <sub>CC</sub> = 5.5 V	Outputs high		47	76	47	76	mA
			Outputs low		55	88	55	88	
			Outputs disabled		55	88	55	88	

† All typical values are at V<sub>CC</sub> = 5 V, T<sub>A</sub> = 25°C.

‡ For I/O ports, the parameters I<sub>IH</sub> and I<sub>IL</sub> include the off-state output current.

§ The output conditions have been chosen to produce a current that closely approximates one-half of the true short-circuit output current, I<sub>OS</sub>.



**SN54ALS652, SN54ALS653, SN54AS651, SN54AS652  
SN74ALS651A, SN74ALS652A, SN74ALS653, SN74ALS654, SN74AS651, SN74AS652  
OCTAL BUS TRANSCEIVERS AND REGISTERS WITH 3-STATE OUTPUTS**

SDAS066G – DECEMBER 1983 – REVISED DECEMBER 2000

**electrical characteristics over recommended operating free-air temperature range (unless otherwise noted)**

PARAMETER		TEST CONDITIONS		SN74ALS654			UNIT
				MIN	TYP†	MAX	
V <sub>IK</sub>		V <sub>CC</sub> = 4.5 V,	I <sub>I</sub> = -18 mA			-1.2	V
V <sub>OH</sub>	B ports	V <sub>CC</sub> = 4.5 V to 5.5 V,	I <sub>OH</sub> = -0.4 mA	V <sub>CC</sub> -2			V
		V <sub>CC</sub> = 4.5 V	I <sub>OH</sub> = -3 mA	2.4	3.2		
V <sub>OL</sub>		V <sub>CC</sub> = 4.5 V	I <sub>OL</sub> = 12 mA	0.25	0.4		V
			I <sub>OL</sub> = 24 mA	0.35	0.5		
I <sub>I</sub>	Control inputs	V <sub>CC</sub> = 5.5 V,	V <sub>I</sub> = 7 V			0.1	mA
	A or B ports	V <sub>CC</sub> = 5.5 V,	V <sub>I</sub> = 5.5 V			0.1	
I <sub>IH</sub>	Control inputs	V <sub>CC</sub> = 5.5 V,	V <sub>I</sub> = 2.7 V			20	μA
	A or B ports‡					20	
I <sub>IL</sub>	Control inputs	V <sub>CC</sub> = 5.5 V,	V <sub>I</sub> = 0.4 V			-0.2	mA
	A or B ports‡					-0.2	
I <sub>OH</sub>	A ports	V <sub>CC</sub> = 4.5 V,	V <sub>OH</sub> = 5.5 V			0.1	mA
I <sub>O</sub> §	B ports	V <sub>CC</sub> = 5.5 V,	V <sub>O</sub> = 2.25 V	-30		-112	mA
I <sub>CC</sub>		V <sub>CC</sub> = 5.5 V	Outputs high	47	76		mA
			Outputs low	55	88		
			Outputs disabled	55	88		

† All typical values are at V<sub>CC</sub> = 5 V, T<sub>A</sub> = 25°C.

‡ For I/O ports, the parameters I<sub>IH</sub> and I<sub>IL</sub> include the off-state output current.

§ The output conditions have been chosen to produce a current that closely approximates one-half of the true short-circuit output current, I<sub>OS</sub>.



**SN54ALS652, SN54ALS653, SN54AS651, SN54AS652  
SN74ALS651A, SN74ALS652A, SN74ALS653, SN74ALS654, SN74AS651, SN74AS652  
OCTAL BUS TRANSCEIVERS AND REGISTERS WITH 3-STATE OUTPUTS**

SDAS066G – DECEMBER 1983 – REVISED DECEMBER 2000

**switching characteristics (see Figure 2)**

PARAMETER	FROM (INPUT)	TO (OUTPUT)	V <sub>CC</sub> = 4.5 V to 5.5 V, C <sub>L</sub> = 50 pF, R <sub>L</sub> = 680 Ω (A outputs), R <sub>1</sub> = R <sub>2</sub> = 500 Ω (B outputs), T <sub>A</sub> = MIN to MAX†				UNIT
			SN54ALS653		SN74ALS653		
			MIN	MAX	MIN	MAX	
f <sub>max</sub>			25		35		MHz
t <sub>PLH</sub>	CLKBA	A	16	71	16	64	ns
t <sub>PHL</sub>			6	24	6	22	
t <sub>PLH</sub>	CLKAB	B	10	35	10	30	ns
t <sub>PHL</sub>			5	20	5	17	
t <sub>PLH</sub>	A	B	5	20	5	18	ns
t <sub>PHL</sub>			1.5	18	2	15	
t <sub>PLH</sub>	B	A	8	63	12	56	ns
t <sub>PHL</sub>			2	18	2	15	
t <sub>PLH</sub>	SBA‡ (with B high)	A	12	68	19	62	ns
t <sub>PHL</sub>			5	27	5	25	
t <sub>PLH</sub>	SBA‡ (with B low)	A	12	68	19	62	ns
t <sub>PHL</sub>			5	27	5	25	
t <sub>PLH</sub>	SAB‡ (with A high)	B	8	30	15	35	ns
t <sub>PHL</sub>			6	25	6	22	
t <sub>PLH</sub>	SAB‡ (with A low)	B	12	40	8	25	ns
t <sub>PHL</sub>			6	25	6	22	
t <sub>PLH</sub>	OEBA	A	6	35	6	30	ns
t <sub>PHL</sub>			6	27	6	24	
t <sub>PZH</sub>	OEAB	B	7	25	8	22	ns
t <sub>PZL</sub>			6	25	6	22	
t <sub>PHZ</sub>	OEAB	B	1	16	1	14	ns
t <sub>PLZ</sub>			2	21	2	16	

† For conditions shown as MIN or MAX, use the appropriate value specified under recommended operating conditions.

‡ These parameters are measured with the internal output state of the storage register opposite that of the bus input.

**SN54ALS652, SN54ALS653, SN54AS651, SN54AS652  
SN74ALS651A, SN74ALS652A, SN74ALS653, SN74ALS654, SN74AS651, SN74AS652  
OCTAL BUS TRANSCEIVERS AND REGISTERS WITH 3-STATE OUTPUTS**

SDAS066G – DECEMBER 1983 – REVISED DECEMBER 2000

**switching characteristics (see Figure 2)**

PARAMETER	FROM (INPUT)	TO (OUTPUT)	V <sub>CC</sub> = 4.5 V to 5.5 V, C <sub>L</sub> = 50 pF, R <sub>L</sub> = 680 Ω (A outputs), R <sub>1</sub> = R <sub>2</sub> = 500 Ω (B outputs), T <sub>A</sub> = MIN to MAX†		UNIT
			SN74ALS654		
			MIN	MAX	
f <sub>max</sub>			35		MHz
t <sub>PLH</sub>	CLKBA	A	16	64	ns
t <sub>PHL</sub>			6	22	
t <sub>PLH</sub>	CLKAB	B	10	30	ns
t <sub>PHL</sub>			5	17	
t <sub>PLH</sub>	A	B	5	18	ns
t <sub>PHL</sub>			2	15	
t <sub>PLH</sub>	B	A	12	56	ns
t <sub>PHL</sub>			2	21	
t <sub>PLH</sub>	SBA‡ (with B low)	A	19	62	ns
t <sub>PHL</sub>			5	25	
t <sub>PLH</sub>	SBA‡ (with B high)	A	19	62	ns
t <sub>PHL</sub>			5	25	
t <sub>PLH</sub>	SAB‡ (with A low)	B	15	35	ns
t <sub>PHL</sub>			6	22	
t <sub>PLH</sub>	SAB‡ (with A high)	B	8	25	ns
t <sub>PHL</sub>			6	22	
t <sub>PLH</sub>	$\overline{OEBA}$	A	6	30	ns
t <sub>PHL</sub>			6	24	
t <sub>PZH</sub>	OEAB	B	6	22	ns
t <sub>PZL</sub>			6	22	
t <sub>PHZ</sub>	OEAB	B	1	14	ns
t <sub>PLZ</sub>			2	16	

† For conditions shown as MIN or MAX, use the appropriate value specified under recommended operating conditions.

‡ These parameters are measured with the internal output state of the storage register opposite that of the bus input.



**SN54ALS652, SN54ALS653, SN54AS651, SN54AS652  
SN74ALS651A, SN74ALS652A, SN74ALS653, SN74ALS654, SN74AS651, SN74AS652  
OCTAL BUS TRANSCEIVERS AND REGISTERS WITH 3-STATE OUTPUTS**

SDAS066G – DECEMBER 1983 – REVISED DECEMBER 2000

**absolute maximum ratings over operating free-air temperature range (unless otherwise noted)†**

Supply voltage range, $V_{CC}$ .....	–0.5 V to 7 V
Input voltage range, $V_I$ : Control inputs .....	–0.5 V to 7 V
I/O ports .....	–0.5 V to 5.5 V
Package thermal impedance, $\theta_{JA}$ (see Note 1): DW package .....	46°C/W
NT package .....	67°C/W
Storage temperature range, $T_{stg}$ .....	–65°C to 150°C

† Stresses beyond those listed under “absolute maximum ratings” may cause permanent damage to the device. These are stress ratings only, and functional operation of the device at these or any other conditions beyond those indicated under “recommended operating conditions” is not implied. Exposure to absolute-maximum-rated conditions for extended periods may affect device reliability.

NOTE 1: The package thermal impedance is calculated in accordance with JESD 51.

**recommended operating conditions**

		SN54AS651 SN54AS652			SN74AS651 SN74AS652			UNIT
		MIN	NOM	MAX	MIN	NOM	MAX	
$V_{CC}$	Supply voltage	4.5	5	5.5	4.5	5	5.5	V
$V_{IH}$	High-level input voltage	2			2			V
$V_{IL}$	Low-level input voltage			0.8			0.8	V
$I_{OH}$	High-level output current			–12			–15	mA
$I_{OL}$	Low-level output current			32			48	mA
$f_{clock}$	Clock frequency	0*		75*	0		90	MHz
$t_w$	Pulse duration	CLKBA or CLKAB high		6*	5		ns	
		CLKBA or CLKAB low		7*	6			
$t_{su}$	Setup time before CLKAB↑ or CLKBA↑	A or B		7*	6		ns	
$t_h$	Hold time after CLKAB↑ or CLKBA	A or B		0*	0		ns	
$T_A$	Operating free-air temperature	–55		125	0		70	°C

\* On products compliant to MIL-PRF-38535, this parameter is based on characterized data but is not production tested.



**SN54ALS652, SN54ALS653, SN54AS651, SN54AS652**  
**SN74ALS651A, SN74ALS652A, SN74ALS653, SN74ALS654, SN74AS651, SN74AS652**  
**OCTAL BUS TRANSCEIVERS AND REGISTERS WITH 3-STATE OUTPUTS**

SDAS066G – DECEMBER 1983 – REVISED DECEMBER 2000

**electrical characteristics over recommended operating free-air temperature range (unless otherwise noted)**

PARAMETER	TEST CONDITIONS		SN54AS651 SN54AS652			SN74AS651 SN74AS652			UNIT
			MIN	TYP†	MAX	MIN	TYP†	MAX	
V <sub>IK</sub>	V <sub>CC</sub> = 4.5 V, I <sub>I</sub> = -18 mA		-1.2			-1.2			V
V <sub>OH</sub>	V <sub>CC</sub> = 4.5 V to 5.5 V, I <sub>OH</sub> = -2 mA		V <sub>CC</sub> -2			V <sub>CC</sub> -2			V
	V <sub>CC</sub> = 4.5 V	I <sub>OH</sub> = -3 mA	2.4	3.2		2.4	3.2		
		I <sub>OH</sub> = -12 mA	2				2		
V <sub>OL</sub>	V <sub>CC</sub> = 4.5 V	I <sub>OL</sub> = 32 mA	0.25 0.5						V
		I <sub>OL</sub> = 48 mA			0.35 0.5				
I <sub>I</sub>	Control inputs	V <sub>CC</sub> = 5.5 V, V <sub>I</sub> = 7 V	0.1			0.1			mA
	A or B ports	V <sub>CC</sub> = 5.5 V, V <sub>I</sub> = 5.5 V	0.1			0.1			
I <sub>IH</sub>	Control inputs	V <sub>CC</sub> = 5.5 V, V <sub>I</sub> = 2.7 V	20			20			μA
	A or B ports‡		70			70			
I <sub>IL</sub>	Control input	V <sub>CC</sub> = 5.5 V, V <sub>I</sub> = 0.4 V	-0.5			-0.5			mA
	A or B ports‡		-0.75			-0.75			
I <sub>O</sub> §	V <sub>CC</sub> = 5.5 V, V <sub>O</sub> = 2.25 V		-30	-112		-30	-112		mA
I <sub>CC</sub>	'AS651	V <sub>CC</sub> = 5.5 V	Outputs high		110	185	110	185	mA
			Outputs low		120	195	120	195	
			Outputs disabled		130	195	130	195	
	'AS652	V <sub>CC</sub> = 5.5 V	Outputs high		120	195	120	195	
			Outputs low		130	211	130	211	
			Outputs disabled		130	211	130	211	

† All typical values are at V<sub>CC</sub> = 5 V, T<sub>A</sub> = 25 °C.

‡ For I/O ports, the parameters I<sub>IH</sub> and I<sub>IL</sub> include the off-state output current.

§ The output conditions have been chosen to produce a current that closely approximates one-half of the true short-circuit output current, I<sub>OS</sub>.



**SN54ALS652, SN54ALS653, SN54AS651, SN54AS652  
SN74ALS651A, SN74ALS652A, SN74ALS653, SN74ALS654, SN74AS651, SN74AS652  
OCTAL BUS TRANSCEIVERS AND REGISTERS WITH 3-STATE OUTPUTS**

SDAS066G – DECEMBER 1983 – REVISED DECEMBER 2000

**switching characteristics (see Figure 2)**

PARAMETER	FROM (INPUT)	TO (OUTPUT)	V <sub>CC</sub> = 4.5 V to 5.5 V, C <sub>L</sub> = 50 pF, R <sub>1</sub> = 500 Ω, R <sub>2</sub> = 500 Ω, T <sub>A</sub> = MIN to MAX†				UNIT
			SN54AS651		SN74AS651		
			MIN	MAX	MIN	MAX	
f <sub>max</sub>			75*		90		MHz
t <sub>PLH</sub>	CLKBA or CLKAB	A or B	2	11	2	8.5	ns
t <sub>PHL</sub>			2	10	2	9	
t <sub>PLH</sub>	A or B	B or A	2	12	2	8	ns
t <sub>PHL</sub>			1	8	1	7	
t <sub>PLH</sub>	SBA or SAB‡	A or B	2	15	2	11	ns
t <sub>PHL</sub>			2	11	2	9	
t <sub>PZH</sub>	$\overline{OEBA}$	A	2	11	2	10	ns
t <sub>PZL</sub>			3	18	3	16	
t <sub>PHZ</sub>	$\overline{OEBA}$	A	2	10	2	9	ns
t <sub>PLZ</sub>			2	10	2	9	
t <sub>PZH</sub>	OEAB	B	3	12	3	11	ns
t <sub>PZL</sub>			3	20	3	16	
t <sub>PHZ</sub>	OEAB	B	2	11	2	10	ns
t <sub>PLZ</sub>			2	12	2	11	

\* On products compliant to MIL-PRF-38535, this parameter is based on characterized data but is not production tested.

† For conditions shown as MIN or MAX, use the appropriate value specified under recommended operating conditions.

‡ These parameters are measured with the internal output state of the storage register opposite that of the bus input.

**SN54ALS652, SN54ALS653, SN54AS651, SN54AS652  
 SN74ALS651A, SN74ALS652A, SN74ALS653, SN74ALS654, SN74AS651, SN74AS652  
 OCTAL BUS TRANSCEIVERS AND REGISTERS WITH 3-STATE OUTPUTS**

SDAS066G – DECEMBER 1983 – REVISED DECEMBER 2000

**switching characteristics (see Figure 2)**

PARAMETER	FROM (INPUT)	TO (OUTPUT)	V <sub>CC</sub> = 4.5 V TO 5.5 V, C <sub>L</sub> = 50 PF, R <sub>1</sub> = 500 Ω, R <sub>2</sub> = 500 Ω, T <sub>A</sub> = MIN TO MAX†				UNIT
			SN54AS652		SN74AS652		
			MIN	MAX	TYP	MAX	
f <sub>max</sub>			75*		90	MHz	
t <sub>PLH</sub>	CLKBA or CLKAB	A or B	2	11	2	8.5	ns
t <sub>PHL</sub>			2	10	2	9	
t <sub>PLH</sub>	A or B	B or A	2	12	2	9	ns
t <sub>PHL</sub>			1	8	1	7	
t <sub>PLH</sub>	SBA or SAB‡	A or B	2	15	2	11	ns
t <sub>PHL</sub>			2	11	2	9	
t <sub>PZH</sub>	$\overline{OEBA}$	A	2	11	2	10	ns
t <sub>PZL</sub>			3	18	3	16	
t <sub>PHZ</sub>	$\overline{OEBA}$	A	2	10	2	9	ns
t <sub>PLZ</sub>			2	10	2	9	
t <sub>PZH</sub>	OEAB	B	3	12	3	11	ns
t <sub>PZL</sub>			3	20	3	16	
t <sub>PHZ</sub>	OEAB	B	2	11	2	10	ns
t <sub>PLZ</sub>			2	12	2	11	

\* On products compliant to MIL-PRF-38535, this parameter is based on characterized data but is not production tested.

† For conditions shown as MIN or MAX, use the appropriate value specified under recommended operating conditions.

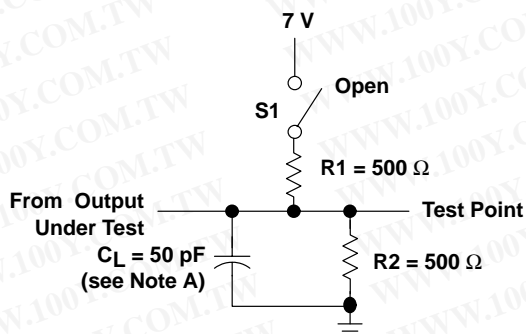
‡ These parameters are measured with the internal output state of the storage register opposite that of the bus input.



**SN54ALS652, SN54ALS653, SN54AS651, SN54AS652  
SN74ALS651A, SN74ALS652A, SN74ALS653, SN74ALS654, SN74AS651, SN74AS652  
OCTAL BUS TRANSCEIVERS AND REGISTERS WITH 3-STATE OUTPUTS**

SDAS066G – DECEMBER 1983 – REVISED DECEMBER 2000

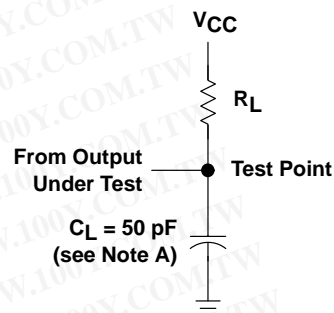
**PARAMETER MEASUREMENT INFORMATION**



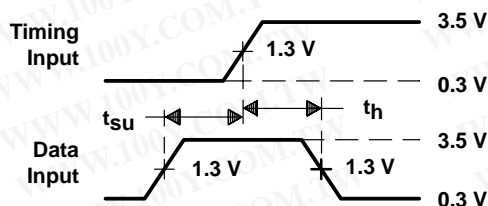
**LOAD CIRCUIT  
FOR 3-STATE OUTPUTS**

**SWITCH POSITION TABLE**

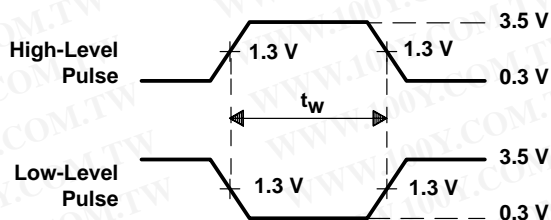
TEST	S1
$t_{PLH}$	Open
$t_{PHL}$	Open
$t_{PZH}$	Open
$t_{PZL}$	Closed
$t_{PHZ}$	Open
$t_{PLZ}$	Closed



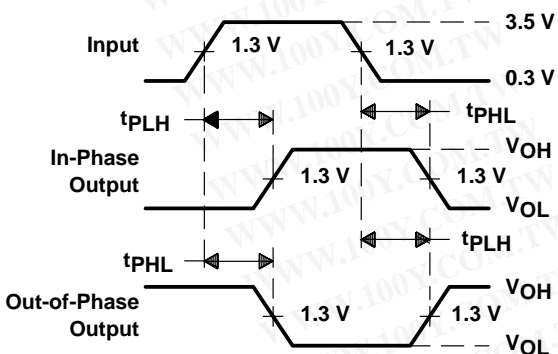
**LOAD CIRCUIT  
FOR OPEN-COLLECTOR OUTPUTS**



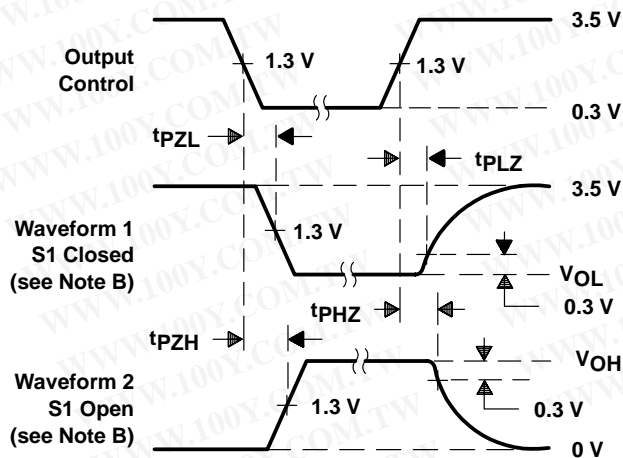
**VOLTAGE WAVEFORMS  
SETUP AND HOLD TIMES**



**VOLTAGE WAVEFORMS  
PULSE DURATION**



**VOLTAGE WAVEFORMS  
PROPAGATION DELAY TIMES**



**VOLTAGE WAVEFORMS  
ENABLE AND DISABLE TIMES, 3-STATE OUTPUTS**

- NOTES: A.  $C_L$  includes probe and jig capacitance.  
 B. Waveform 1 is for an output with internal conditions such that the output is low except when disabled by the output control. Waveform 2 is for an output with internal conditions such that the output is high except when disabled by the output control.  
 C. All input pulses are supplied by generators having the following characteristics:  $PRR \leq 1$  MHz,  $Z_0 = 50 \Omega$ ,  $t_r \leq 2$  ns,  $t_f \leq 2$  ns.  
 D. The outputs are measured one at a time with one transition per measurement.

**Figure 2. Load Circuits and Voltage Waveforms**

**PACKAGING INFORMATION**

Orderable Device	Status <sup>(1)</sup>	Package Type	Package Drawing	Pins	Package Qty	Eco Plan <sup>(2)</sup>	Lead/ Ball Finish	MSL Peak Temp <sup>(3)</sup>	Samples (Requires Login)
5962-88673013A	ACTIVE	LCCC	FK	28	1	TBD	POST-PLATE	N / A for Pkg Type	<a href="#">Purchase Samples</a>
5962-8867301KA	OBSOLETE	CFP	W	24		TBD	Call TI	Call TI	Samples Not Available
5962-8867301LA	ACTIVE	CDIP	JT	24	1	TBD	A42	N / A for Pkg Type	<a href="#">Purchase Samples</a>
5962-88687013A	ACTIVE	LCCC	FK	28	1	TBD	POST-PLATE	N / A for Pkg Type	<a href="#">Purchase Samples</a>
5962-8868701KA	ACTIVE	CFP	W	24	1	TBD	A42	N / A for Pkg Type	<a href="#">Purchase Samples</a>
5962-8868701LA	ACTIVE	CDIP	JT	24	1	TBD	A42	N / A for Pkg Type	<a href="#">Purchase Samples</a>
5962-88753013A	OBSOLETE	LCCC	FK	28		TBD	Call TI	Call TI	Samples Not Available
5962-8875301KA	OBSOLETE	CFP	W	24		TBD	Call TI	Call TI	Samples Not Available
5962-89687013A	ACTIVE	LCCC	FK	28	1	TBD	POST-PLATE	N / A for Pkg Type	<a href="#">Purchase Samples</a>
5962-8968701KA	ACTIVE	CFP	W	24	1	TBD	A42	N / A for Pkg Type	<a href="#">Purchase Samples</a>
5962-8968701LA	ACTIVE	CDIP	JT	24	1	TBD	A42	N / A for Pkg Type	<a href="#">Purchase Samples</a>
SN54ALS652JT	ACTIVE	CDIP	JT	24	1	TBD	A42	N / A for Pkg Type	<a href="#">Purchase Samples</a>
SN54AS651JT	OBSOLETE	CDIP	JT	24		TBD	Call TI	Call TI	Samples Not Available
SN54AS652JT	ACTIVE	CDIP	JT	24	1	TBD	A42	N / A for Pkg Type	<a href="#">Purchase Samples</a>
SN74ALS651A-1DW	OBSOLETE	SOIC	DW	24		TBD	Call TI	Call TI	Samples Not Available
SN74ALS651A-1DWR	OBSOLETE	SOIC	DW	24		TBD	Call TI	Call TI	Samples Not Available
SN74ALS651A-1NT	OBSOLETE	PDIP	NT	24		TBD	Call TI	Call TI	Samples Not Available
SN74ALS651ANT	ACTIVE	PDIP	NT	24	15	Pb-Free (RoHS)	CU NIPDAU	N / A for Pkg Type	<a href="#">Purchase Samples</a>
SN74ALS651ANTE4	ACTIVE	PDIP	NT	24	15	Pb-Free (RoHS)	CU NIPDAU	N / A for Pkg Type	<a href="#">Purchase Samples</a>
SN74ALS652A-1DW	ACTIVE	SOIC	DW	24	25	Green (RoHS & no Sb/Br)	CU NIPDAU	Level-1-260C-UNLIM	<a href="#">Purchase Samples</a>
SN74ALS652A-1DWE4	ACTIVE	SOIC	DW	24	25	Green (RoHS & no Sb/Br)	CU NIPDAU	Level-1-260C-UNLIM	<a href="#">Purchase Samples</a>
SN74ALS652A-1DWG4	ACTIVE	SOIC	DW	24	25	Green (RoHS & no Sb/Br)	CU NIPDAU	Level-1-260C-UNLIM	<a href="#">Purchase Samples</a>
SN74ALS652A-1NT	ACTIVE	PDIP	NT	24	15	Pb-Free (RoHS)	CU NIPDAU	N / A for Pkg Type	<a href="#">Purchase Samples</a>
SN74ALS652A-1NTE4	ACTIVE	PDIP	NT	24	15	Pb-Free (RoHS)	CU NIPDAU	N / A for Pkg Type	<a href="#">Purchase Samples</a>
SN74ALS652ADW	ACTIVE	SOIC	DW	24	25	Green (RoHS & no Sb/Br)	CU NIPDAU	Level-1-260C-UNLIM	<a href="#">Purchase Samples</a>
SN74ALS652ADWE4	ACTIVE	SOIC	DW	24	25	Green (RoHS & no Sb/Br)	CU NIPDAU	Level-1-260C-UNLIM	<a href="#">Purchase Samples</a>

Orderable Device	Status <sup>(1)</sup>	Package Type	Package Drawing	Pins	Package Qty	Eco Plan <sup>(2)</sup>	Lead/ Ball Finish	MSL Peak Temp <sup>(3)</sup>	Samples (Requires Login)
SN74ALS652ADWG4	ACTIVE	SOIC	DW	24	25	Green (RoHS & no Sb/Br)	CU NIPDAU	Level-1-260C-UNLIM	<a href="#">Purchase Samples</a>
SN74ALS652ADWR	ACTIVE	SOIC	DW	24	2000	Green (RoHS & no Sb/Br)	CU NIPDAU	Level-1-260C-UNLIM	<a href="#">Purchase Samples</a>
SN74ALS652ADWRE4	ACTIVE	SOIC	DW	24	2000	Green (RoHS & no Sb/Br)	CU NIPDAU	Level-1-260C-UNLIM	<a href="#">Purchase Samples</a>
SN74ALS652ADWRG4	ACTIVE	SOIC	DW	24	2000	Green (RoHS & no Sb/Br)	CU NIPDAU	Level-1-260C-UNLIM	<a href="#">Purchase Samples</a>
SN74ALS652ANT	ACTIVE	PDIP	NT	24	15	Pb-Free (RoHS)	CU NIPDAU	N / A for Pkg Type	<a href="#">Purchase Samples</a>
SN74ALS652ANTE4	ACTIVE	PDIP	NT	24	15	Pb-Free (RoHS)	CU NIPDAU	N / A for Pkg Type	<a href="#">Purchase Samples</a>
SN74ALS653-1DW	OBSOLETE	SOIC	DW	24		TBD	Call TI	Call TI	Samples Not Available
SN74ALS653-1NT	OBSOLETE	PDIP	NT	24		TBD	Call TI	Call TI	Samples Not Available
SN74ALS653DW	ACTIVE	SOIC	DW	24	25	Green (RoHS & no Sb/Br)	CU NIPDAU	Level-1-260C-UNLIM	<a href="#">Purchase Samples</a>
SN74ALS653DWE4	ACTIVE	SOIC	DW	24	25	Green (RoHS & no Sb/Br)	CU NIPDAU	Level-1-260C-UNLIM	<a href="#">Purchase Samples</a>
SN74ALS653DWG4	ACTIVE	SOIC	DW	24	25	Green (RoHS & no Sb/Br)	CU NIPDAU	Level-1-260C-UNLIM	<a href="#">Purchase Samples</a>
SN74ALS653DWR	ACTIVE	SOIC	DW	24	2000	Green (RoHS & no Sb/Br)	CU NIPDAU	Level-1-260C-UNLIM	<a href="#">Purchase Samples</a>
SN74ALS653DWRE4	ACTIVE	SOIC	DW	24	2000	Green (RoHS & no Sb/Br)	CU NIPDAU	Level-1-260C-UNLIM	<a href="#">Purchase Samples</a>
SN74ALS653DWRG4	ACTIVE	SOIC	DW	24	2000	Green (RoHS & no Sb/Br)	CU NIPDAU	Level-1-260C-UNLIM	<a href="#">Purchase Samples</a>
SN74ALS653NT	ACTIVE	PDIP	NT	24	15	Pb-Free (RoHS)	CU NIPDAU	N / A for Pkg Type	<a href="#">Purchase Samples</a>
SN74ALS653NTE4	ACTIVE	PDIP	NT	24	15	Pb-Free (RoHS)	CU NIPDAU	N / A for Pkg Type	<a href="#">Purchase Samples</a>
SN74ALS654DW	ACTIVE	SOIC	DW	24	25	Green (RoHS & no Sb/Br)	CU NIPDAU	Level-1-260C-UNLIM	<a href="#">Purchase Samples</a>
SN74ALS654DWE4	ACTIVE	SOIC	DW	24	25	Green (RoHS & no Sb/Br)	CU NIPDAU	Level-1-260C-UNLIM	<a href="#">Purchase Samples</a>
SN74ALS654DWG4	ACTIVE	SOIC	DW	24	25	Green (RoHS & no Sb/Br)	CU NIPDAU	Level-1-260C-UNLIM	<a href="#">Purchase Samples</a>
SN74ALS654DWR	ACTIVE	SOIC	DW	24	2000	Green (RoHS & no Sb/Br)	CU NIPDAU	Level-1-260C-UNLIM	<a href="#">Purchase Samples</a>

Orderable Device	Status <sup>(1)</sup>	Package Type	Package Drawing	Pins	Package Qty	Eco Plan <sup>(2)</sup>	Lead/ Ball Finish	MSL Peak Temp <sup>(3)</sup>	Samples (Requires Login)
SN74ALS654DWRE4	ACTIVE	SOIC	DW	24	2000	Green (RoHS & no Sb/Br)	CU NIPDAU	Level-1-260C-UNLIM	<a href="#">Purchase Samples</a>
SN74ALS654DWRG4	ACTIVE	SOIC	DW	24	2000	Green (RoHS & no Sb/Br)	CU NIPDAU	Level-1-260C-UNLIM	<a href="#">Purchase Samples</a>
SN74ALS654NT	ACTIVE	PDIP	NT	24	15	Pb-Free (RoHS)	CU NIPDAU	N / A for Pkg Type	<a href="#">Purchase Samples</a>
SN74ALS654NTE4	ACTIVE	PDIP	NT	24	15	Pb-Free (RoHS)	CU NIPDAU	N / A for Pkg Type	<a href="#">Purchase Samples</a>
SN74AS651DW	OBSOLETE	SOIC	DW	24		TBD	Call TI	Call TI	Samples Not Available
SN74AS651DWR	OBSOLETE	SOIC	DW	24		TBD	Call TI	Call TI	Samples Not Available
SN74AS651NT	OBSOLETE	PDIP	NT	24		TBD	Call TI	Call TI	Samples Not Available
SN74AS652DW	ACTIVE	SOIC	DW	24	25	Green (RoHS & no Sb/Br)	CU NIPDAU	Level-1-260C-UNLIM	<a href="#">Purchase Samples</a>
SN74AS652DWE4	ACTIVE	SOIC	DW	24	25	Green (RoHS & no Sb/Br)	CU NIPDAU	Level-1-260C-UNLIM	<a href="#">Purchase Samples</a>
SN74AS652DWG4	ACTIVE	SOIC	DW	24	25	Green (RoHS & no Sb/Br)	CU NIPDAU	Level-1-260C-UNLIM	<a href="#">Purchase Samples</a>
SN74AS652NT	ACTIVE	PDIP	NT	24	15	Pb-Free (RoHS)	CU NIPDAU	N / A for Pkg Type	<a href="#">Purchase Samples</a>
SN74AS652NTE4	ACTIVE	PDIP	NT	24	15	Pb-Free (RoHS)	CU NIPDAU	N / A for Pkg Type	<a href="#">Purchase Samples</a>
SNJ54ALS652FK	ACTIVE	LCCC	FK	28	1	TBD	POST-PLATE	N / A for Pkg Type	<a href="#">Purchase Samples</a>
SNJ54ALS652JT	ACTIVE	CDIP	JT	24	1	TBD	A42	N / A for Pkg Type	<a href="#">Purchase Samples</a>
SNJ54ALS652W	OBSOLETE	CFP	W	24		TBD	Call TI	Call TI	Samples Not Available
SNJ54ALS653FK	ACTIVE	LCCC	FK	28	1	TBD	POST-PLATE	N / A for Pkg Type	<a href="#">Purchase Samples</a>
SNJ54ALS653JT	ACTIVE	CDIP	JT	24	1	TBD	A42	N / A for Pkg Type	<a href="#">Purchase Samples</a>
SNJ54ALS653W	ACTIVE	CFP	W	24	1	TBD	A42	N / A for Pkg Type	<a href="#">Purchase Samples</a>
SNJ54AS651JT	OBSOLETE	CDIP	JT	24		TBD	Call TI	Call TI	Samples Not Available
SNJ54AS652FK	ACTIVE	LCCC	FK	28	1	TBD	POST-PLATE	N / A for Pkg Type	<a href="#">Purchase Samples</a>
SNJ54AS652JT	ACTIVE	CDIP	JT	24	1	TBD	A42	N / A for Pkg Type	<a href="#">Purchase Samples</a>
SNJ54AS652W	ACTIVE	CFP	W	24	1	TBD	A42	N / A for Pkg Type	<a href="#">Purchase Samples</a>

<sup>(1)</sup> The marketing status values are defined as follows:

**ACTIVE:** Product device recommended for new designs.

**LIFEBUY:** TI has announced that the device will be discontinued, and a lifetime-buy period is in effect.

**NRND:** Not recommended for new designs. Device is in production to support existing customers, but TI does not recommend using this part in a new design.

**PREVIEW:** Device has been announced but is not in production. Samples may or may not be available.

**OBSOLETE:** TI has discontinued the production of the device.

(2) Eco Plan - The planned eco-friendly classification: Pb-Free (RoHS), Pb-Free (RoHS Exempt), or Green (RoHS & no Sb/Br) - please check <http://www.ti.com/productcontent> for the latest availability information and additional product content details.

**TBD:** The Pb-Free/Green conversion plan has not been defined.

**Pb-Free (RoHS):** TI's terms "Lead-Free" or "Pb-Free" mean semiconductor products that are compatible with the current RoHS requirements for all 6 substances, including the requirement that lead not exceed 0.1% by weight in homogeneous materials. Where designed to be soldered at high temperatures, TI Pb-Free products are suitable for use in specified lead-free processes.

**Pb-Free (RoHS Exempt):** This component has a RoHS exemption for either 1) lead-based flip-chip solder bumps used between the die and package, or 2) lead-based die adhesive used between the die and leadframe. The component is otherwise considered Pb-Free (RoHS compatible) as defined above.

**Green (RoHS & no Sb/Br):** TI defines "Green" to mean Pb-Free (RoHS compatible), and free of Bromine (Br) and Antimony (Sb) based flame retardants (Br or Sb do not exceed 0.1% by weight in homogeneous material)

(3) MSL, Peak Temp. -- The Moisture Sensitivity Level rating according to the JEDEC industry standard classifications, and peak solder temperature.

**Important Information and Disclaimer:** The information provided on this page represents TI's knowledge and belief as of the date that it is provided. TI bases its knowledge and belief on information provided by third parties, and makes no representation or warranty as to the accuracy of such information. Efforts are underway to better integrate information from third parties. TI has taken and continues to take reasonable steps to provide representative and accurate information but may not have conducted destructive testing or chemical analysis on incoming materials and chemicals. TI and TI suppliers consider certain information to be proprietary, and thus CAS numbers and other limited information may not be available for release.

In no event shall TI's liability arising out of such information exceed the total purchase price of the TI part(s) at issue in this document sold by TI to Customer on an annual basis.

**OTHER QUALIFIED VERSIONS OF SN54ALS652, SN54ALS653, SN54AS651, SN54AS652, SN74ALS653, SN74AS651, SN74AS652 :**

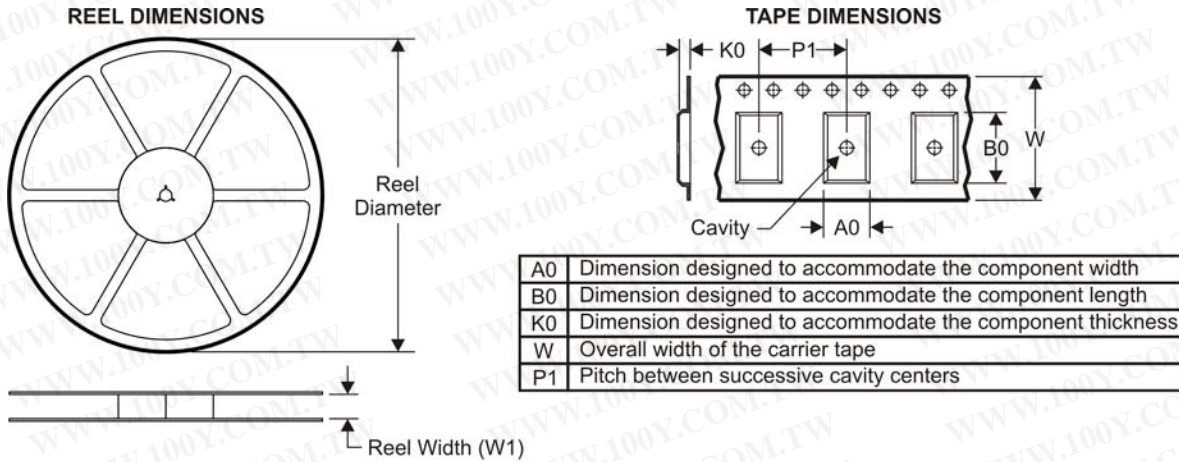
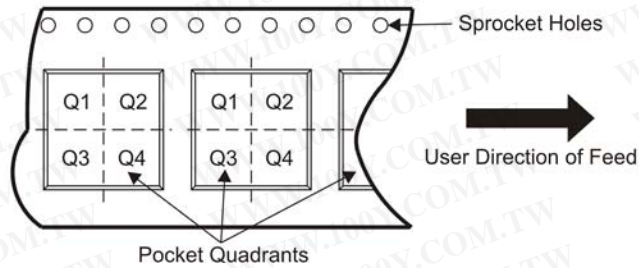
● Catalog: [SN74ALS652](#), [SN74ALS653](#), [SN74AS651](#), [SN74AS652](#)

● Military: [SN54ALS653](#), [SN54AS651](#), [SN54AS652](#)

NOTE: Qualified Version Definitions:

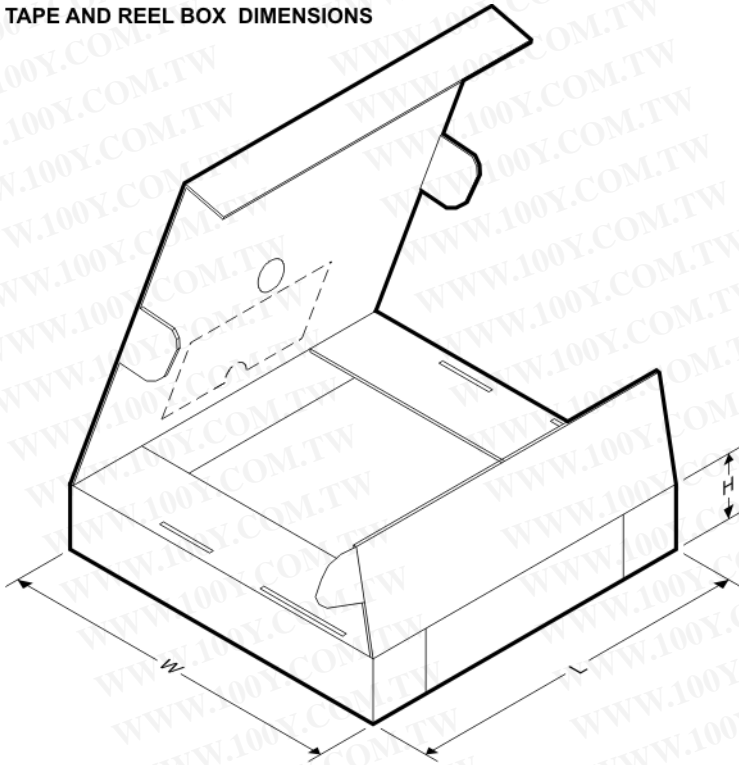
● Catalog - TI's standard catalog product

● Military - QML certified for Military and Defense Applications

**TAPE AND REEL INFORMATION**

**QUADRANT ASSIGNMENTS FOR PIN 1 ORIENTATION IN TAPE**


\*All dimensions are nominal

Device	Package Type	Package Drawing	Pins	SPQ	Reel Diameter (mm)	Reel Width W1 (mm)	A0 (mm)	B0 (mm)	K0 (mm)	P1 (mm)	W (mm)	Pin1 Quadrant
SN74ALS652ADWR	SOIC	DW	24	2000	330.0	24.4	10.75	15.7	2.7	12.0	24.0	Q1
SN74ALS653DWR	SOIC	DW	24	2000	330.0	24.4	10.75	15.7	2.7	12.0	24.0	Q1
SN74ALS654DWR	SOIC	DW	24	2000	330.0	24.4	10.75	15.7	2.7	12.0	24.0	Q1

**TAPE AND REEL BOX DIMENSIONS**


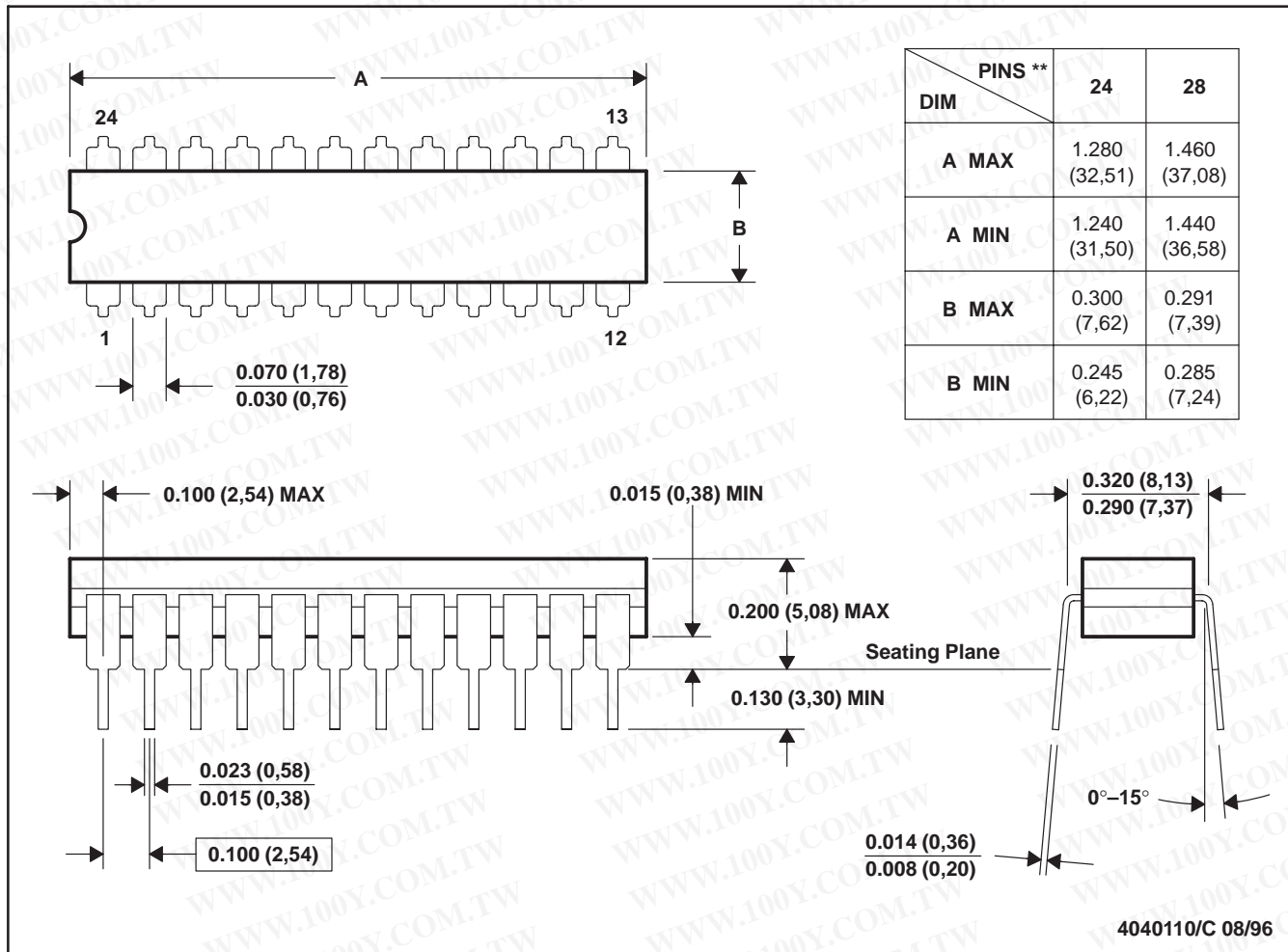
\*All dimensions are nominal

Device	Package Type	Package Drawing	Pins	SPQ	Length (mm)	Width (mm)	Height (mm)
SN74ALS652ADWR	SOIC	DW	24	2000	346.0	346.0	41.0
SN74ALS653DWR	SOIC	DW	24	2000	346.0	346.0	41.0
SN74ALS654DWR	SOIC	DW	24	2000	346.0	346.0	41.0

JT (R-GDIP-T\*\*)

24 LEADS SHOWN

CERAMIC DUAL-IN-LINE



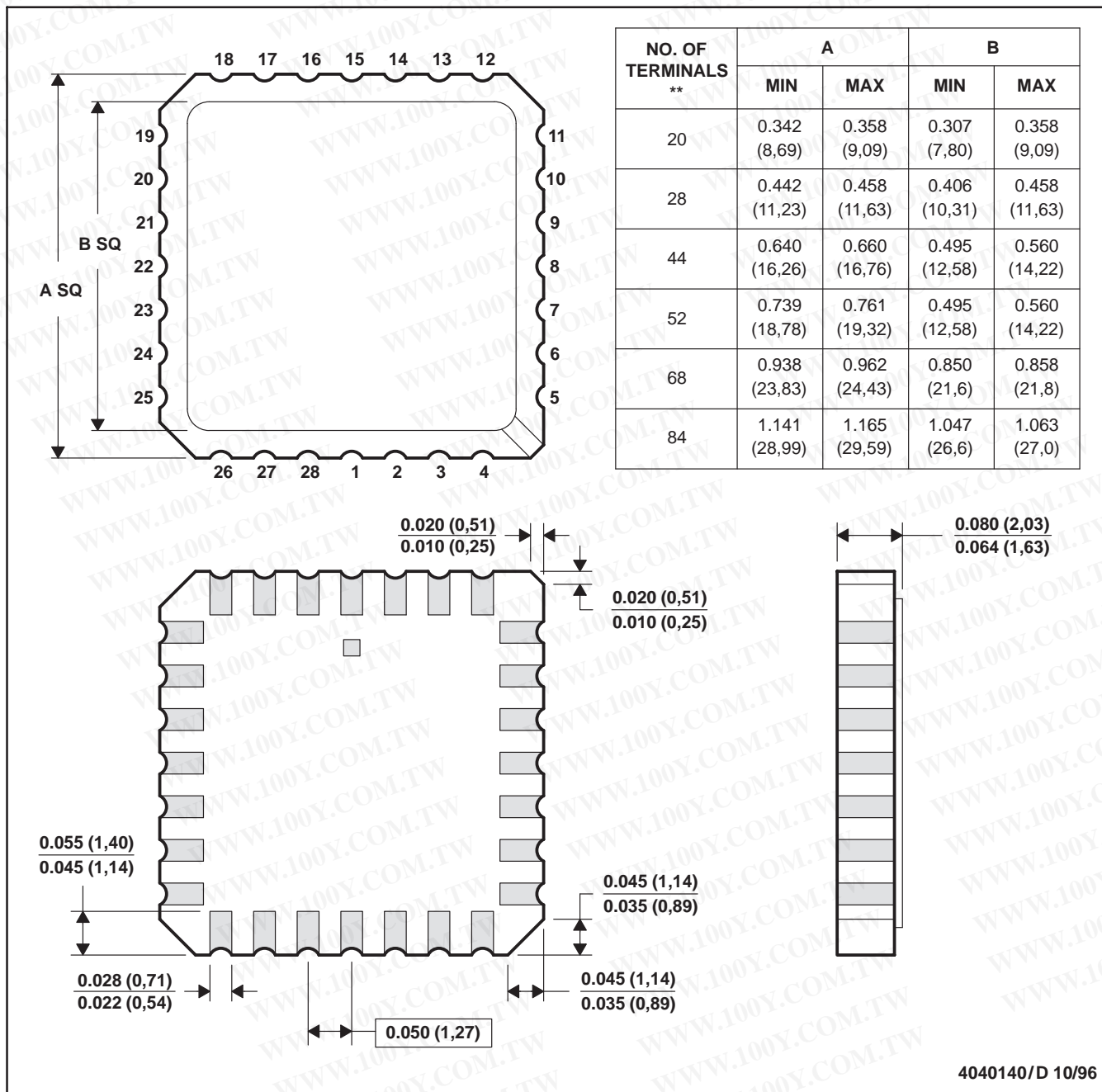
- NOTES: A. All linear dimensions are in inches (millimeters).  
 B. This drawing is subject to change without notice.  
 C. This package can be hermetically sealed with a ceramic lid using glass frit.  
 D. Index point is provided on cap for terminal identification.  
 E. Falls within MIL STD 1835 GDIP3-T24, GDIP4-T28, and JEDEC MO-058 AA, MO-058 AB



FK (S-CQCC-N\*\*)

LEADLESS CERAMIC CHIP CARRIER

28 TERMINAL SHOWN



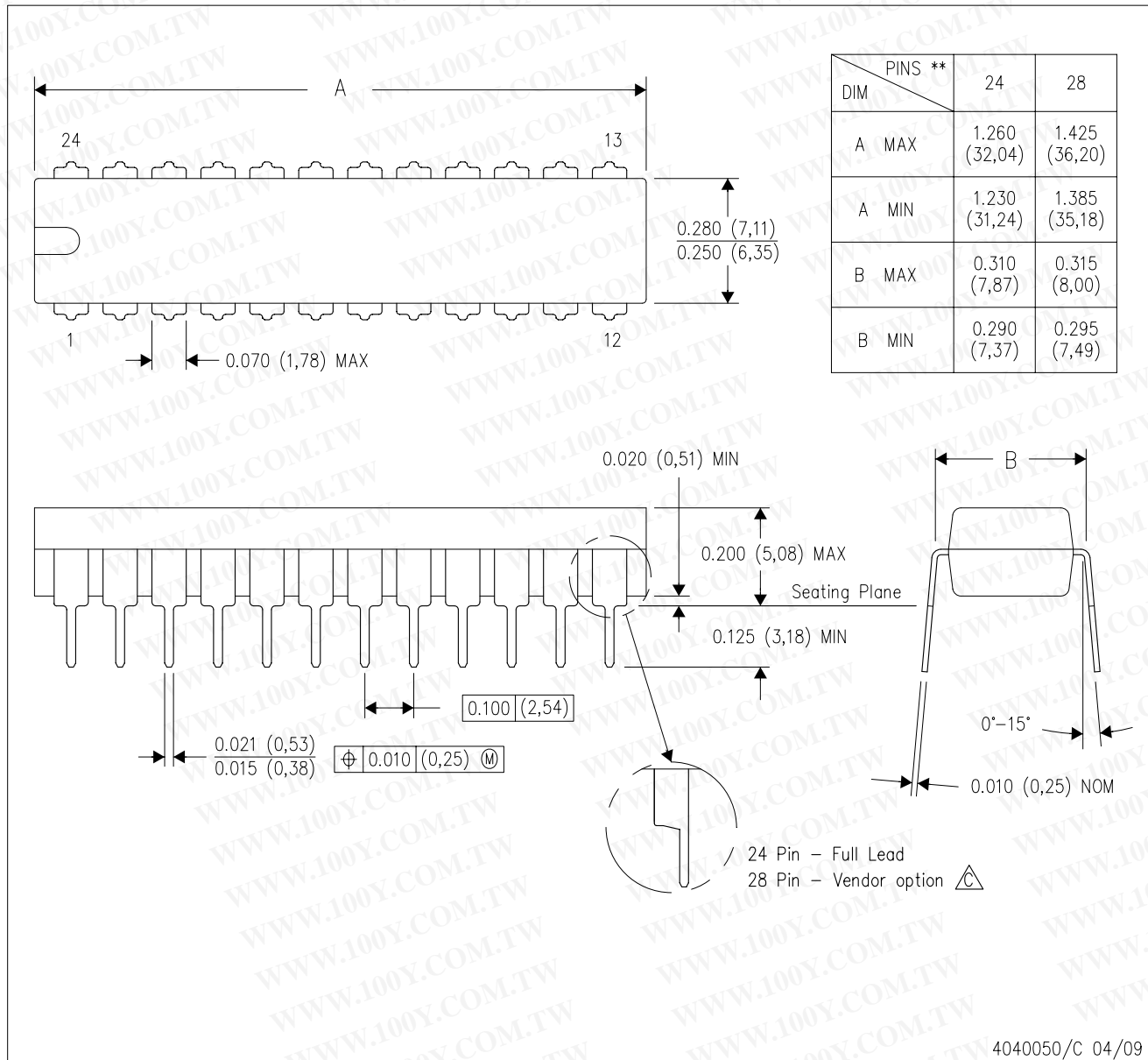
- NOTES:
- A. All linear dimensions are in inches (millimeters).
  - B. This drawing is subject to change without notice.
  - C. This package can be hermetically sealed with a metal lid.
  - D. The terminals are gold plated.
  - E. Falls within JEDEC MS-004

# MECHANICAL DATA


NT (R-PDIP-T\*\*)

PLASTIC DUAL-IN-LINE PACKAGE

24 PINS SHOWN



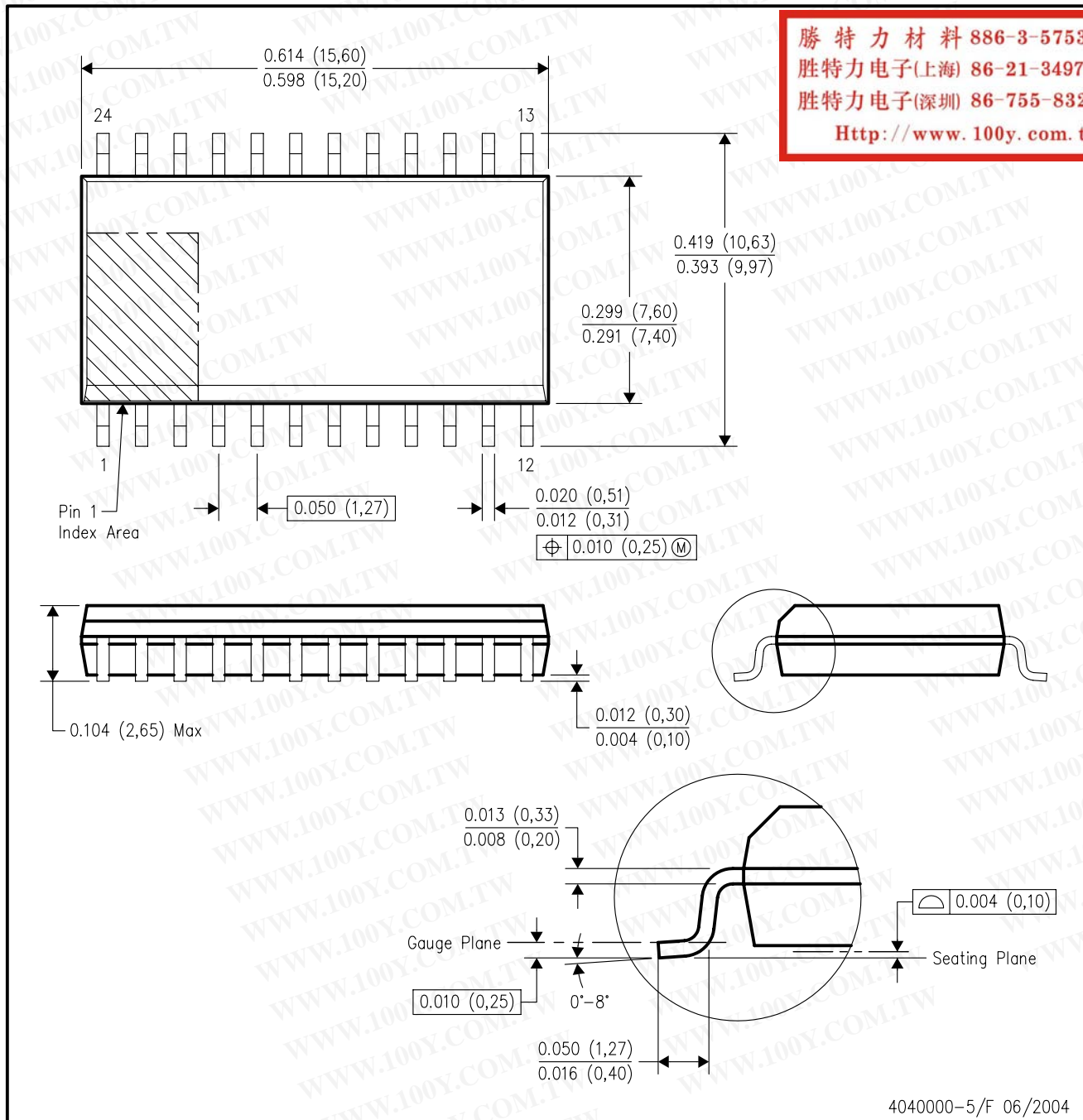
4040050/C 04/09

- NOTES:
- A. All linear dimensions are in millimeters. Dimensioning and tolerancing per ASME Y14.5M-1994.
  - B. This drawing is subject to change without notice.
  -  The 28 pin end lead shoulder width is a vendor option, either half or full width.

DW (R-PDSO-G24)

PLASTIC SMALL-OUTLINE PACKAGE

勝特力材料 886-3-5753170  
 勝特力电子(上海) 86-21-34970699  
 勝特力电子(深圳) 86-755-83298787  
[Http://www.100y.com.tw](http://www.100y.com.tw)



4040000-5/F 06/2004

- NOTES:
- A. All linear dimensions are in inches (millimeters).
  - B. This drawing is subject to change without notice.
  - C. Body dimensions do not include mold flash or protrusion not to exceed 0.006 (0,15).
  - D. Falls within JEDEC MS-013 variation AD.