



勝特力材料 886-3-5753170  
勝特力电子(上海) 86-21-34970699  
勝特力电子(深圳) 86-755-83298787  
Http://www.100y.com.tw

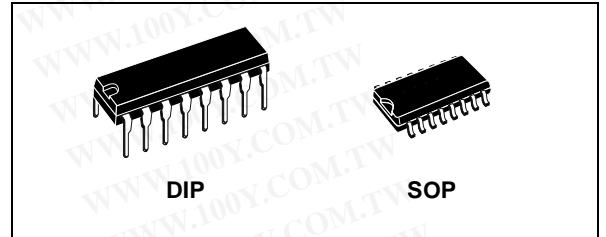
# HCF4532B

## 8-BIT PRIORITY ENCODER

- CONVERTS FROM 1 TO 8 TO INPUTS BINARY
- PROVIDES CASCADING FEATURE TO HANDLE ANY NUMBER OF INPUTS
- GROUP SELECT INDICATES ONE OR MORE PRIORITY INPUTS
- QUIESCENT CURRENT SPECIFIED UP TO 20V
- STANDARDIZED SYMMETRICAL OUTPUT CHARACTERISTICS
- 5V, 10V AND 15V PARAMETRIC RATINGS
- INPUT LEAKAGE CURRENT  
 $I_l = 100\text{nA}$  (MAX) AT  $V_{DD} = 18\text{V}$   $T_A = 25^\circ\text{C}$
- 100% TESTED FOR QUIESCENT CURRENT
- MEETS ALL REQUIREMENTS OF JEDEC JESD13B "STANDARD SPECIFICATIONS FOR DESCRIPTION OF B SERIES CMOS DEVICES"

### DESCRIPTION

HCF4532B is a monolithic integrated circuit fabricated in Metal Oxide Semiconductor technology available in DIP and SOP packages. HCF4532B consists of a combinational logic that encodes the highest priority input (D7-D0) to a 3-bit binary code. The eight inputs, D7 through D0,



### ORDER CODES

PACKAGE	TUBE	T & R
DIP	HCF4532BEY	
SOP	HCF4532BM1	HCF4532M013TR

each have an assigned priority. D7 is the highest priority and D0 is the lowest. The priority encoder is inhibited when the chip enable input  $E_1$  is low. When  $E_1$  is high the binary representation of the highest priority input appears on output lines Q2-Q0, and the group select line GS is high to indicate that priority inputs are present. The enable out ( $E_0$ ) is high when no priority inputs are present. If any input is high,  $E_0$  is low and all cascaded lower order stages are disabled.

### PIN CONNECTION

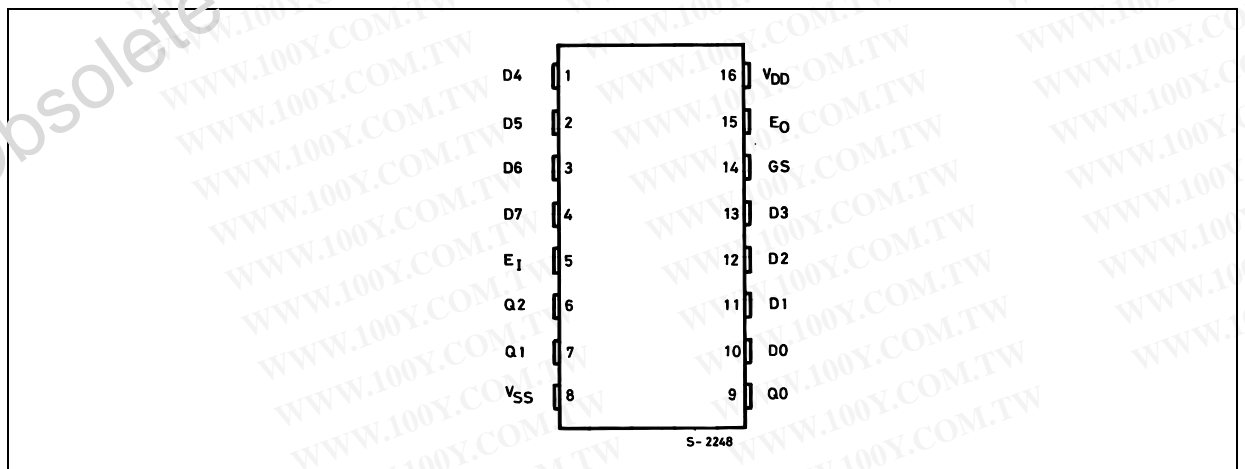


Figure 1: Input Equivalent Circuit

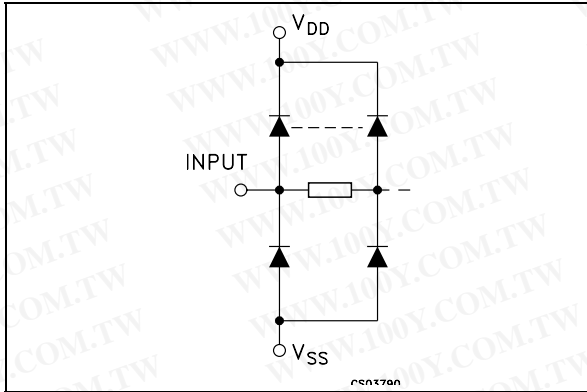


Table 1: Pin Description

PIN N°	SYMBOL	NAME AND FUNCTION
10, 11, 12, 13, 1, 2, 3, 4	D0 to D7	Data Inputs
9, 7, 6	Q0 to Q2	Data Output Lines
5	E <sub>I</sub>	Chip Enable Input
15	E <sub>O</sub>	Enable Output
14	GS	Group Select Line
8	V <sub>SS</sub>	Negative Supply Voltage
16	V <sub>DD</sub>	Positive Supply Voltage

Figure 2: Functional Diagram

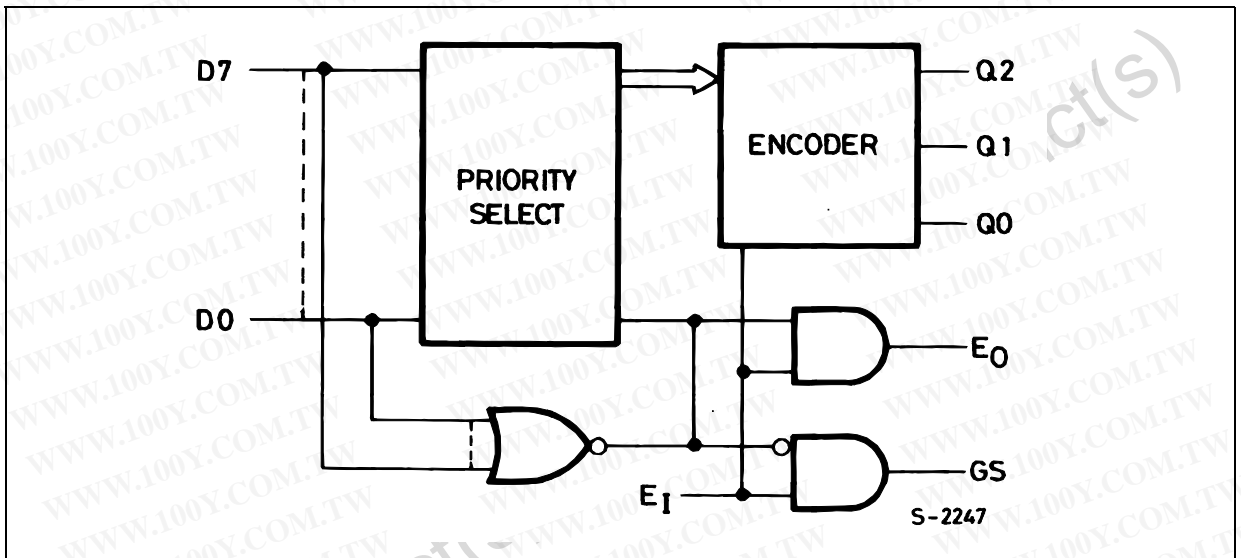


Table 2: Truth Table

INPUTS									OUTPUTS				
E <sub>I</sub>	D7	D6	D5	D4	D3	D2	D1	D0	GS	Q2	Q1	Q0	E <sub>O</sub>
L	X	X	X	X	X	X	X	X	L	L	L	L	L
H	L	L	L	L	L	L	L	L	L	L	L	L	H
H	H	X	X	X	X	X	X	X	H	H	H	H	L
H	L	H	X	X	X	X	X	X	H	H	H	L	L
H	L	L	H	X	X	X	X	X	H	H	L	H	L
H	L	L	L	H	X	X	X	X	H	H	L	L	L
H	L	L	L	L	H	X	X	X	H	L	H	H	L
H	L	L	L	L	L	H	X	X	H	L	H	L	L
H	L	L	L	L	L	L	H	X	H	L	L	H	L
H	L	L	L	L	L	L	L	H	H	L	L	L	L

X : Don't Care

Figure 3: Logic Diagram

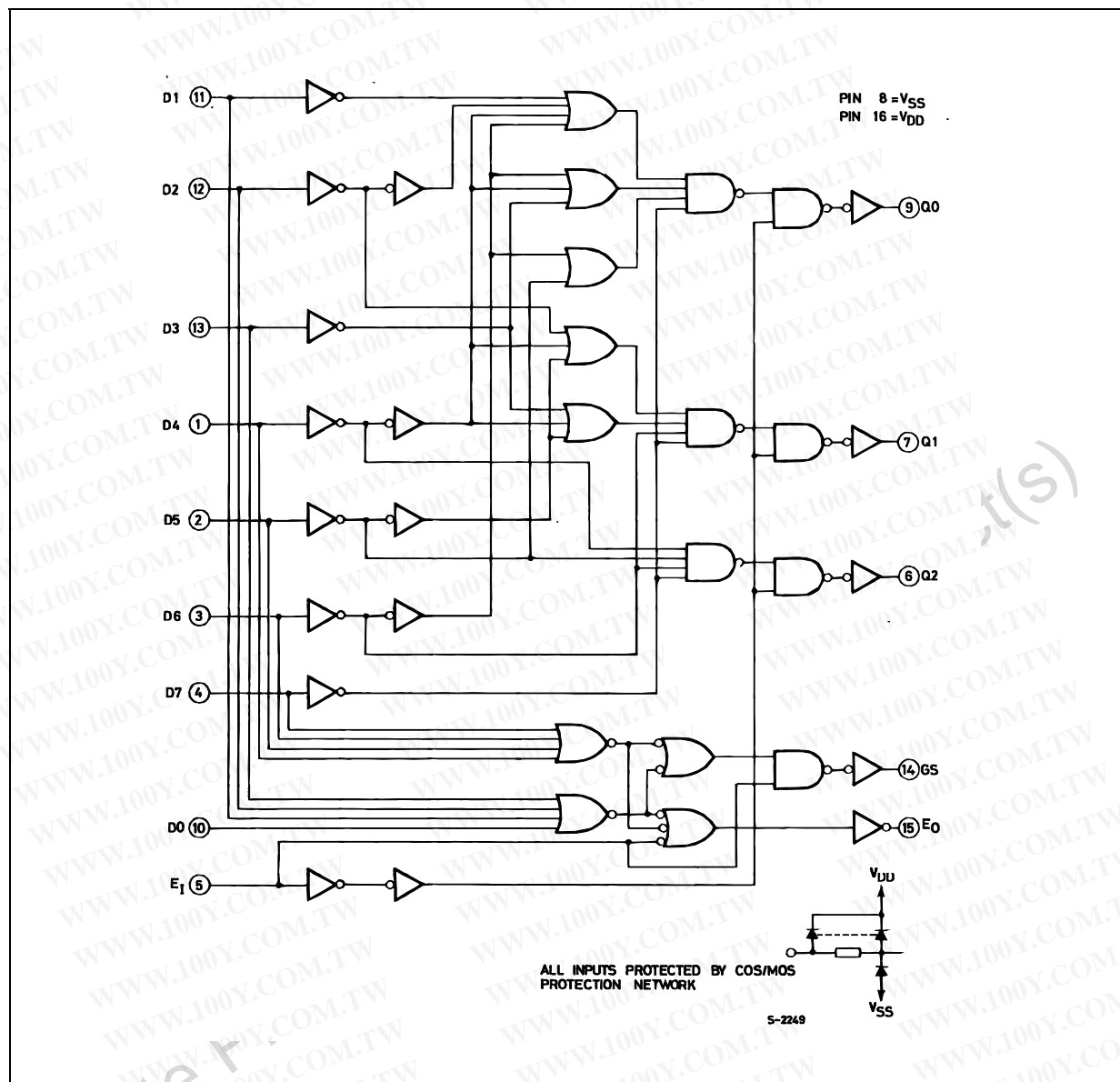


Table 3: Absolute Maximum Ratings

Symbol	Parameter	Value	Unit
V <sub>DD</sub>	Supply Voltage	-0.5 to +22	V
V <sub>I</sub>	DC Input Voltage	-0.5 to V <sub>DD</sub> + 0.5	V
I <sub>I</sub>	DC Input Current	± 10	mA
P <sub>D</sub>	Power Dissipation per Package	200	mW
	Power Dissipation per Output Transistor	100	mW
T <sub>op</sub>	Operating Temperature	-55 to +125	°C
T <sub>stg</sub>	Storage Temperature	-65 to +150	°C

Absolute Maximum Ratings are those values beyond which damage to the device may occur. Functional operation under these conditions is not implied.

All voltage values are referred to V<sub>SS</sub> pin voltage.

Table 4: Recommended Operating Conditions

Symbol	Parameter	Value	Unit
$V_{DD}$	Supply Voltage	3 to 20	V
$V_I$	Input Voltage	0 to $V_{DD}$	V
$T_{op}$	Operating Temperature	-55 to 125	°C

Table 5: DC Specifications

Symbol	Parameter	Test Condition				Value						Unit	
		$V_I$ (V)	$V_O$ (V)	$ I_{ol} $ ( $\mu$ A)	$V_{DD}$ (V)	$T_A = 25^\circ\text{C}$			$-40$ to $85^\circ\text{C}$		$-55$ to $125^\circ\text{C}$		
						Min.	Typ.	Max.	Min.	Max.	Min.		Max.
$I_L$	Quiescent Current	0/5			5		0.04	5		150	150	$\mu$ A	
		0/10			10		0.04	10		300	300		
		0/15			15		0.04	20		600	600		
		0/20			20		0.08	100		3000	3000		
$V_{OH}$	High Level Output Voltage	0/5		<1	5	4.95			4.95		4.95	V	
		0/10		<1	10	9.95			9.95		9.95		
		0/15		<1	15	14.95			14.95		14.95		
$V_{OL}$	Low Level Output Voltage	5/0		<1	5		0.05			0.05	0.05	V	
		10/0		<1	10		0.05			0.05	0.05		
		15/0		<1	15		0.05			0.05	0.05		
$V_{IH}$	High Level Input Voltage		0.5/4.5	<1	5	3.5			3.5		3.5	V	
			1/9	<1	10	7			7		7		
			1.5/13.5	<1	15	11			11		11		
$V_{IL}$	Low Level Input Voltage		4.5/0.5	<1	5		1.5		1.5		1.5	V	
			9/1	<1	10		3		3		3		
			13.5/1.5	<1	15		4		4		4		
$I_{OH}$	Output Drive Current	0/5	2.5	<1	5	-1.36	-3.2		-1.1		-1.1	mA	
		0/5	4.6	<1	5	-0.44	-1		-0.36		-0.36		
		0/10	9.5	<1	10	-1.1	-2.6		-0.9		-0.9		
		0/15	13.5	<1	15	-3.0	-6.8		-2.4		-2.4		
$I_{OL}$	Output Sink Current	0/5	0.4	<1	5	0.44	1		0.36		0.36	mA	
		0/10	0.5	<1	10	1.1	2.6		0.9		0.9		
		0/15	1.5	<1	15	3.0	6.8		2.4		2.4		
$I_I$	Input Leakage Current	0/18	Any Input		18		$\pm 10^{-5}$	$\pm 0.1$		$\pm 1$		$\pm 1$	$\mu$ A
$C_I$	Input Capacitance		Any Input				5	7.5					pF

The Noise Margin for both "1" and "0" level is: 1V min. with  $V_{DD}=5V$ , 2V min. with  $V_{DD}=10V$ , 2.5V min. with  $V_{DD}=15V$

**Table 6: Dynamic Electrical Characteristics** ( $T_{amb} = 25^{\circ}\text{C}$ ,  $C_L = 50\text{pF}$ ,  $R_L = 200\text{K}\Omega$ ,  $t_r = t_f = 20\text{ ns}$ )

Symbol	Parameter	Test Condition		Value (*)			Unit
		$V_{DD}$ (V)		Min.	Typ.	Max.	
$t_{PLH}$ $t_{PHL}$	Propagation Delay Time ( $E_1$ to $E_0$ , $E_1$ to GS)	5			110	220	ns
		10			55	110	
		15			45	85	
$t_{PLH}$ $t_{PHL}$	Propagation Delay Time ( $E_1$ to $Q_m$ , $D_n$ to GS)	5			170	340	ns
		10			85	170	
		15			65	125	
$t_{PLH}$ $t_{PHL}$	Propagation Delay Time ( $D_n$ to $Q_m$ )	5			220	440	ns
		10			110	220	
		15			85	160	
$t_{TLH}$ $t_{THL}$	Transition Time	5			100	200	ns
		10			50	100	
		15			40	80	

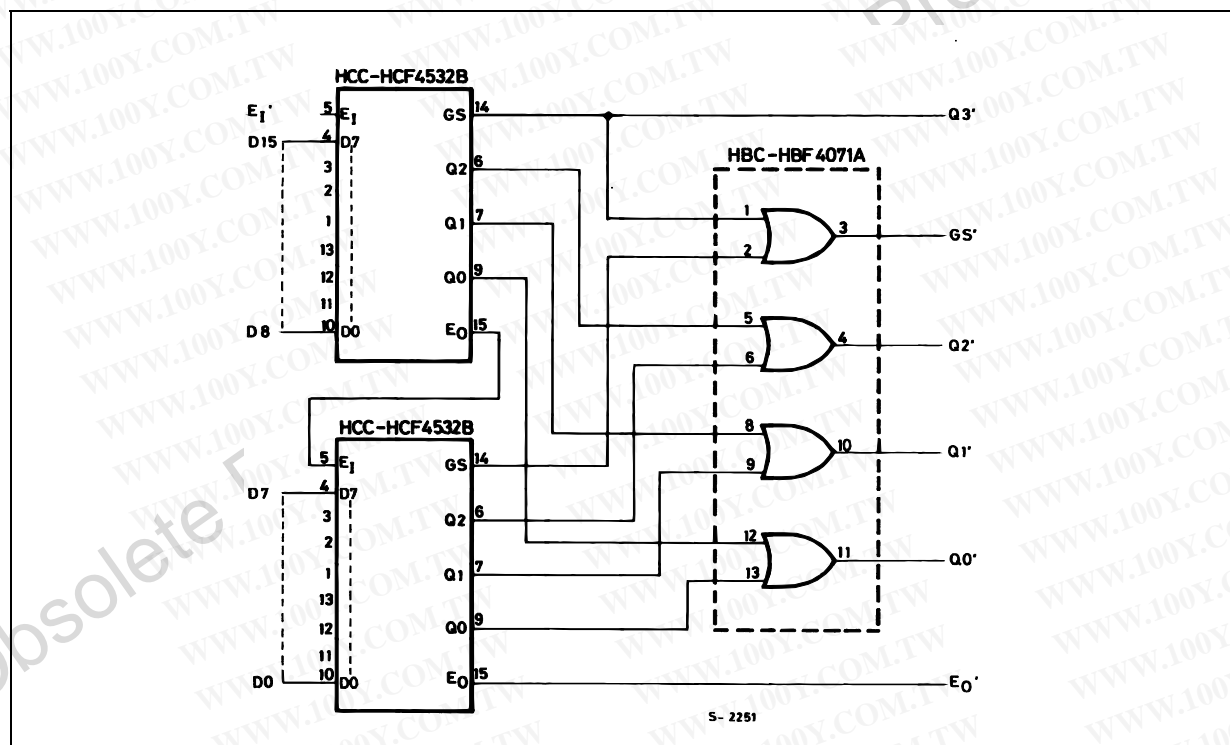
(\*) Typical temperature coefficient for all  $V_{DD}$  value is 0.3 %/°C.**TYPICAL APPLICATIONS****Figure 4: 16-Level Priority Encoder**

Figure 5: 0 To 9 Keyboard Encoder

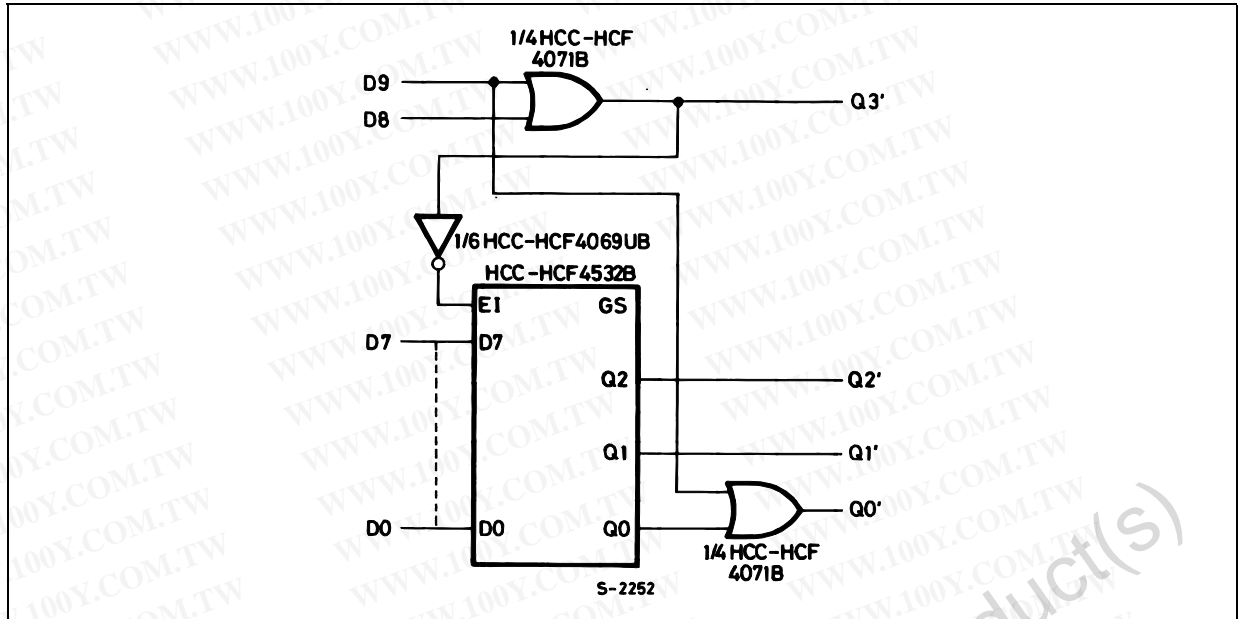
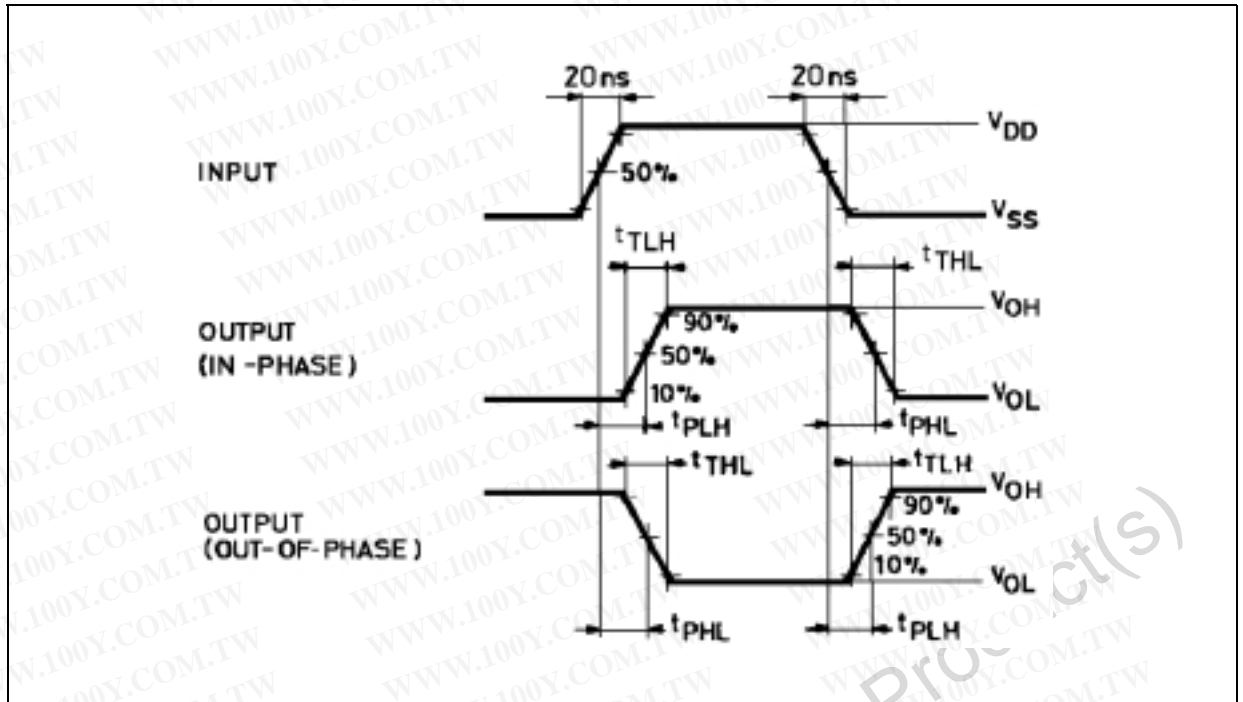


Table 7: Truth Table

INPUTS										OUTPUTS				
D9	D8	D7	D6	D5	D4	D3	D2	D1	D0	GS	Q3'	Q2'	Q1'	Q0
H	X	X	X	X	X	X	X	X	X	L	H	L	L	H
L	H	X	X	X	X	X	X	X	X	L	H	L	L	L
L	L	H	X	X	X	X	X	X	X	H	L	H	H	H
L	L	L	H	X	X	X	X	X	X	H	L	H	H	L
L	L	L	L	H	X	X	X	X	X	H	L	H	L	H
L	L	L	L	L	H	X	X	X	X	H	L	H	L	L
L	L	L	L	L	L	H	X	X	X	H	L	L	H	H
L	L	L	L	L	L	L	H	X	X	H	L	L	L	H
L	L	L	L	L	L	L	L	H	X	H	L	L	L	L

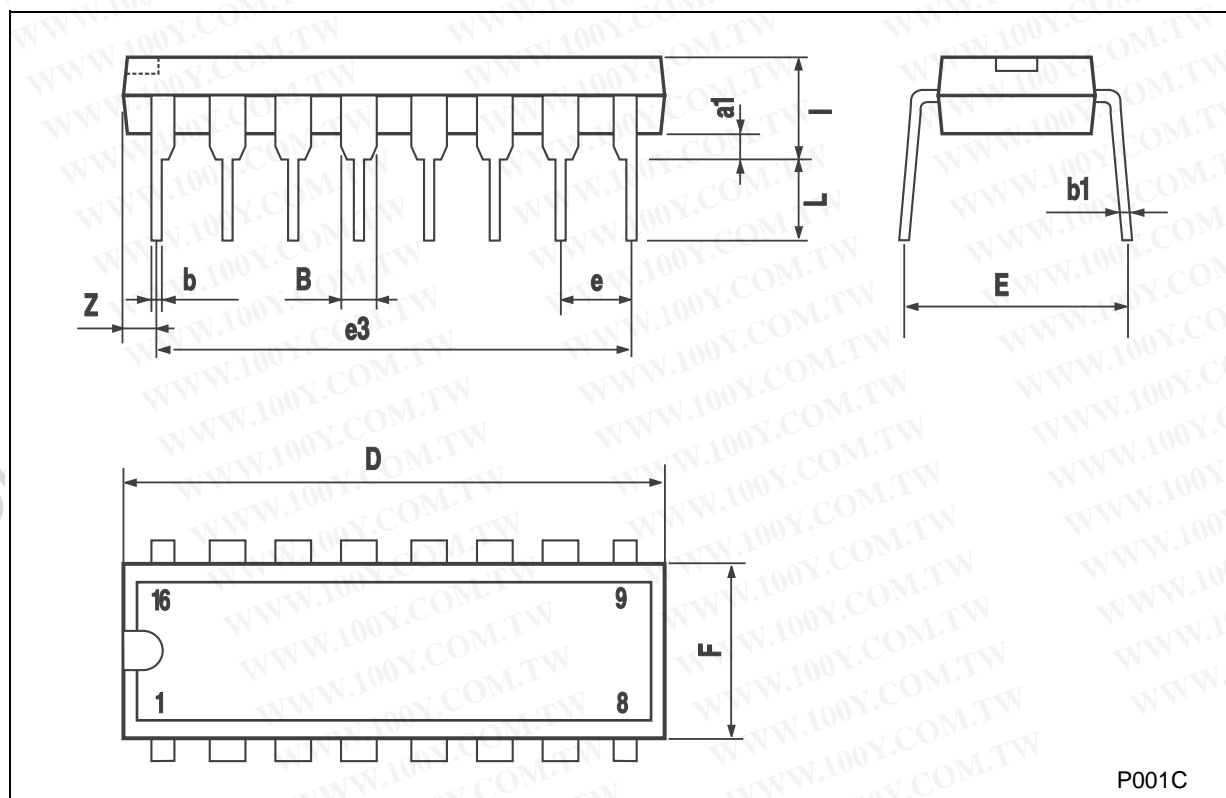
X : Don't Care



Figure 8: Waveform - Propagation Delay Times ( $f=1\text{MHz}$ ; 50% duty cycle)

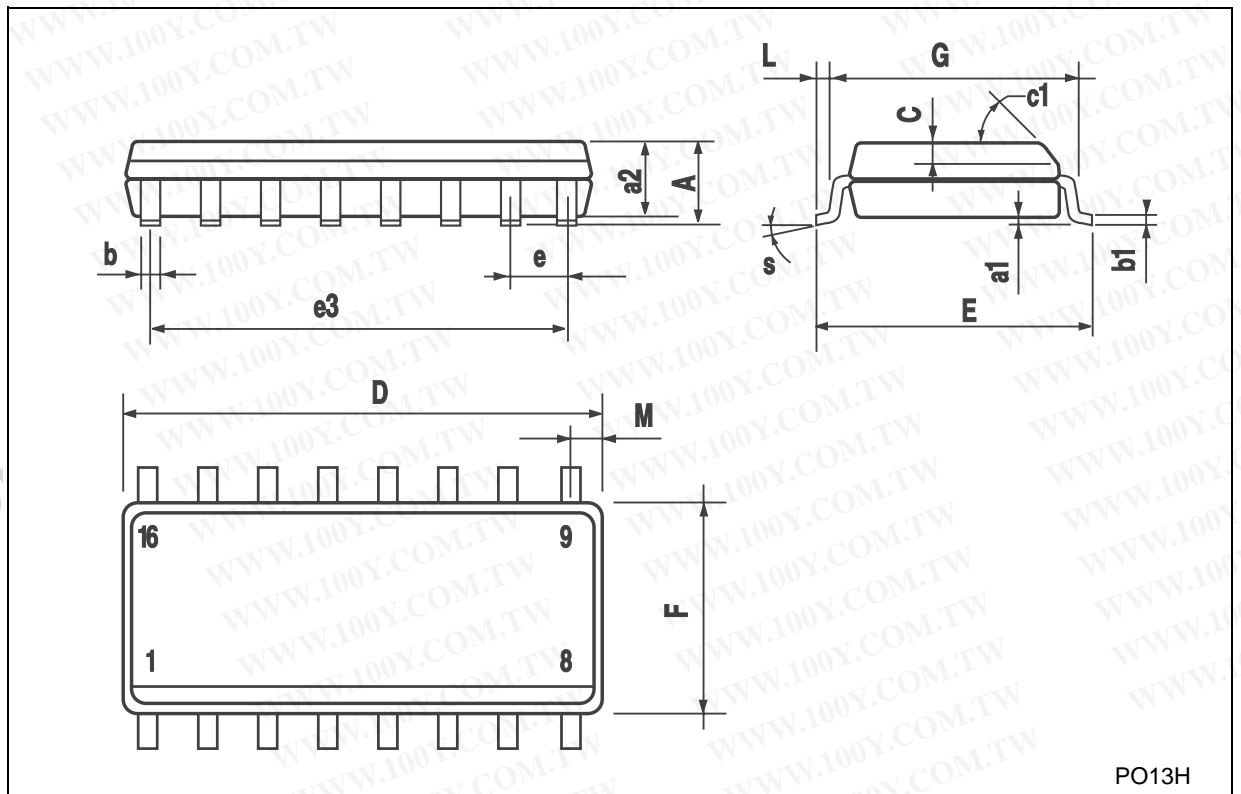
## Plastic DIP-16 (0.25) MECHANICAL DATA

DIM.	mm.			inch		
	MIN.	TYP.	MAX.	MIN.	TYP.	MAX.
a1	0.51			0.020		
B	0.77		1.65	0.030		0.065
b		0.5			0.020	
b1		0.25			0.010	
D			20			0.787
E		8.5			0.335	
e		2.54			0.100	
e3		17.78			0.700	
F			7.1			0.280
I			5.1			0.201
L		3.3			0.130	
Z			1.27			0.050



## SO-16 MECHANICAL DATA

DIM.	mm.			inch		
	MIN.	TYP.	MAX.	MIN.	TYP.	MAX.
A			1.75			0.068
a1	0.1		0.2	0.004		0.008
a2			1.65			0.064
b	0.35		0.46	0.013		0.018
b1	0.19		0.25	0.007		0.010
C		0.5			0.019	
c1	45° (typ.)					
D	9.8		10	0.385		0.393
E	5.8		6.2	0.228		0.244
e		1.27			0.050	
e3		8.89			0.350	
F	3.8		4.0	0.149		0.157
G	4.6		5.3	0.181		0.208
L	0.5		1.27	0.019		0.050
M			0.62			0.024
S	8° (max.)					



PO13H

## Tape &amp; Reel SO-16 MECHANICAL DATA

DIM.	mm.			inch		
	MIN.	TYP	MAX.	MIN.	TYP.	MAX.
A			330			12.992
C	12.8		13.2	0.504		0.519
D	20.2			0.795		
N	60			2.362		
T			22.4			0.882
Ao	6.45		6.65	0.254		0.262
Bo	10.3		10.5	0.406		0.414
Ko	2.1		2.3	0.082		0.090
Po	3.9		4.1	0.153		0.161
P	7.9		8.1	0.311		0.319

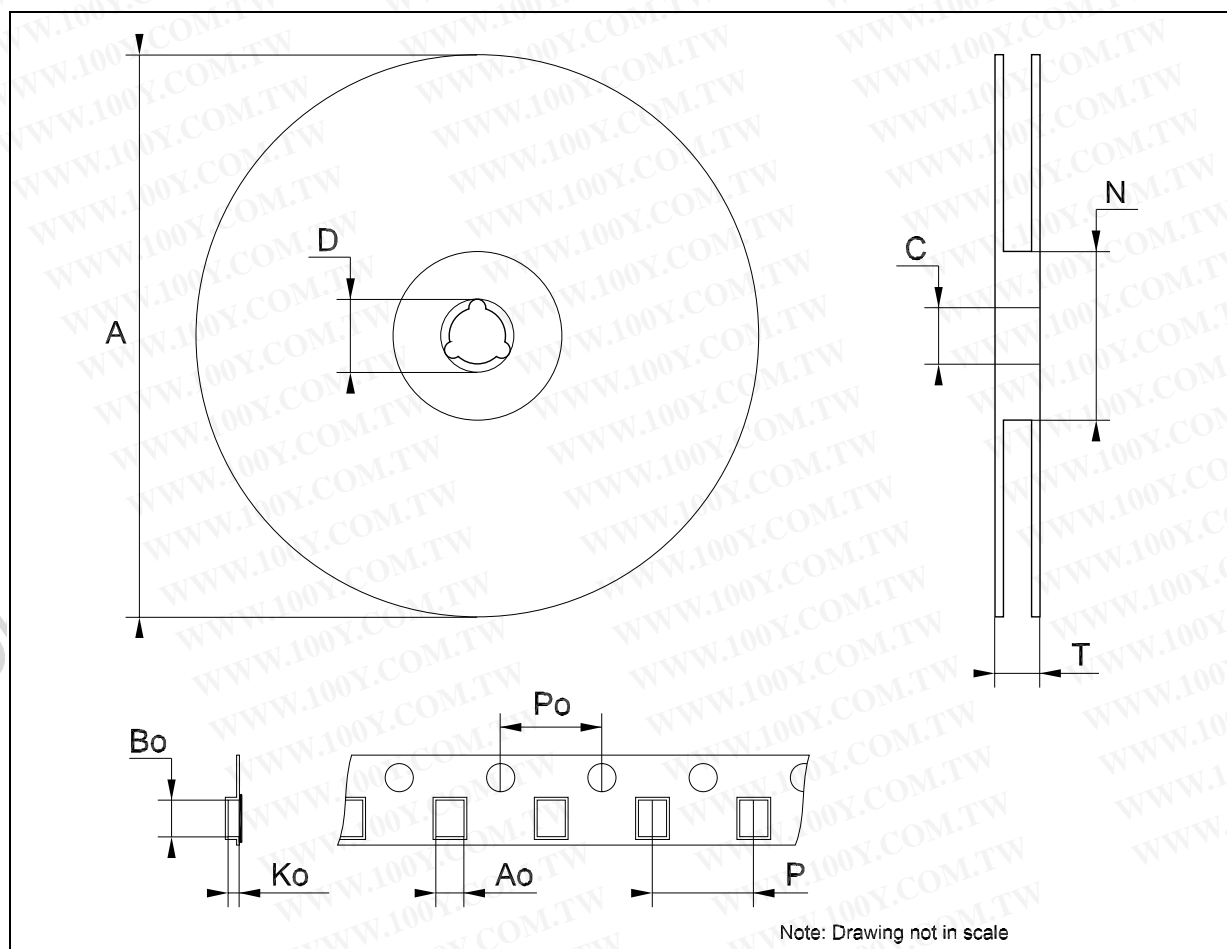


Table 8: Revision History

Date	Revision	Description of Changes
07-May-2004	2	Mistake Truth Table - Table 2 - Pag. 2

Obsolete Product(s) - Obsolete Product(s)

勝特力材料 886-3-5753170  
勝特力电子(上海) 86-21-34970699  
勝特力电子(深圳) 86-755-83298787  
[Http://www.100y.com.tw](http://www.100y.com.tw)

Information furnished is believed to be accurate and reliable. However, STMicroelectronics assumes no responsibility for the consequences of use of such information nor for any infringement of patents or other rights of third parties which may result from its use. No license is granted by implication or otherwise under any patent or patent rights of STMicroelectronics. Specifications mentioned in this publication are subject to change without notice. This publication supersedes and replaces all information previously supplied. STMicroelectronics products are not authorized for use as critical components in life support devices or systems without express written approval of STMicroelectronics.

The ST logo is a registered trademark of STMicroelectronics  
All other names are the property of their respective owners

© 2004 STMicroelectronics - All Rights Reserved  
STMicroelectronics GROUP OF COMPANIES

Australia - Belgium - Brazil - Canada - China - Czech Republic - Finland - France - Germany - Hong Kong - India - Israel - Italy - Japan - Malaysia - Malta - Morocco - Singapore - Spain - Sweden - Switzerland - United Kingdom - United States.

<http://www.st.com>