

HD74LS367A

Hex Bus Drivers
(non-inverted data outputs with three-state outputs)

REJ03D0480-0200
 Rev.2.00
 Feb.18.2005

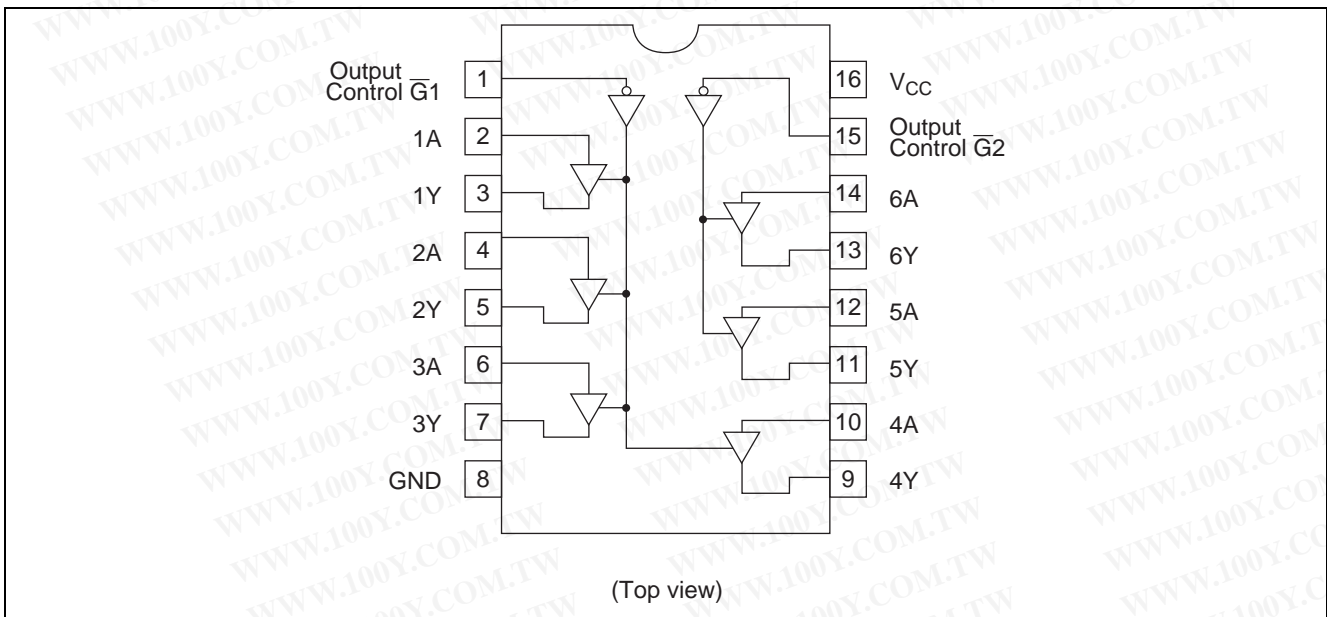
Features

- Ordering Information

Part Name	Package Type	Package Code (Previous Code)	Package Abbreviation	Taping Abbreviation (Quantity)
HD74LS367AP	DILP-16 pin	PRDP0016AE-B (DP-16FV)	P	—
HD74LS367AFPEL	SOP-16 pin (JEITA)	PRSP0016DH-B (FP-16DAV)	FP	EL (2,000 pcs/reel)
HD74LS367ARPEL	SOP-16 pin (JEDEC)	PRSP0016DG-A (FP-16DNV)	RP	EL (2,500 pcs/reel)

- Notes:
- Please consult the sales office for the above package availability.
 - The packages with lead-free pins are distinguished from the conventional products by adding V at the end of the package code.

Pin Arrangement



Function Table

\bar{G}	A	Y
H	X	Z
L	L	L
L	H	H

Note: H; high level, L; low level, X; irrelevant, Z; off (high-impedance) state of a 3-state output

Absolute Maximum Ratings

Item	Symbol	Ratings	Unit
Supply voltage	V_{CC}	7	V
Input voltage	V_{IN}	7	V
Output voltage (off-state)	$V_{O(off)}$	5.5	V
Power dissipation	P_T	400	mW
Operating temperature	T_{opr}	-20 to +75	°C
Storage temperature	T_{stg}	-65 to +150	°C

Note: Voltage value, unless otherwise noted, are with respect to network ground terminal.

Recommended Operating Conditions

Item	Symbol	Min	Typ	Max	Unit
Supply voltage	V_{CC}	4.75	5.00	5.25	V
Output current	I_{OH}	—	—	-2.6	mA
	I_{OL}	—	—	24	mA
Operating temperature	T_{opr}	-20	25	75	°C

Electrical Characteristics

($T_a = -20$ to $+75$ °C)

Item	Symbol	min.	typ.*	max.	Unit	Condition	
Input voltage	V_{IH}	2.0	—	—	V		
	V_{IL}	—	—	0.8	V		
Output voltage	V_{OH}	2.4	—	—	V	$V_{CC} = 4.75$ V, $V_{IH} = 2$ V, $V_{IL} = 0.8$ V, $I_{OH} = -2.6$ mA	
	V_{OL}	—	—	0.5	V		$I_{OL} = 24$ mA
—		—	0.4	$V_{CC} = 4.75$ V, $V_{IH} = 2$ V, $V_{IL} = 0.8$ V			
Output current	I_{OZ}	—	—	20	μ A	$V_O = 2.4$ V	
		—	—	-20			$V_O = 0.4$ V
Input current	I_{IH}	—	—	20	μ A	$V_{CC} = 5.25$ V, $V_I = 2.7$ V A inputs $V_{CC} = 5.25$ V	
	I_{IL}	—	—	-20	μ A		$V_I = 0.5$ V, \bar{G} inputs 2 V
		—	—	-0.4	mA		$V_I = 0.4$ V, \bar{G} inputs 0.4 V
		—	—	-0.4	mA		\bar{G} inputs $V_{CC} = 5.25$ V, $V_I = 0.4$ V
I_I	—	—	0.1	mA	$V_{CC} = 5.25$ V, $V_I = 7$ V		
Short-circuit output current	I_{OS}	-40	—	-225	mA	$V_{CC} = 5.25$ V	
Supply current	I_{CC}^{**}	—	14	24	mA	$V_{CC} = 5.25$ V	
Input clamp voltage	V_{IK}	—	—	-1.5	V	$V_{CC} = 4.75$ V, $I_{IN} = -18$ mA	

Notes: * $V_{CC} = 5$ V, $T_a = 25$ °C

** I_{CC} is measured with data inputs grounded and output control inputs at 4.5 V.

勝特力材料 886-3-5753170
 勝特力电子(上海) 86-21-34970699
 勝特力电子(深圳) 86-755-83298787
[Http://www.100y.com.tw](http://www.100y.com.tw)

Switching Characteristics

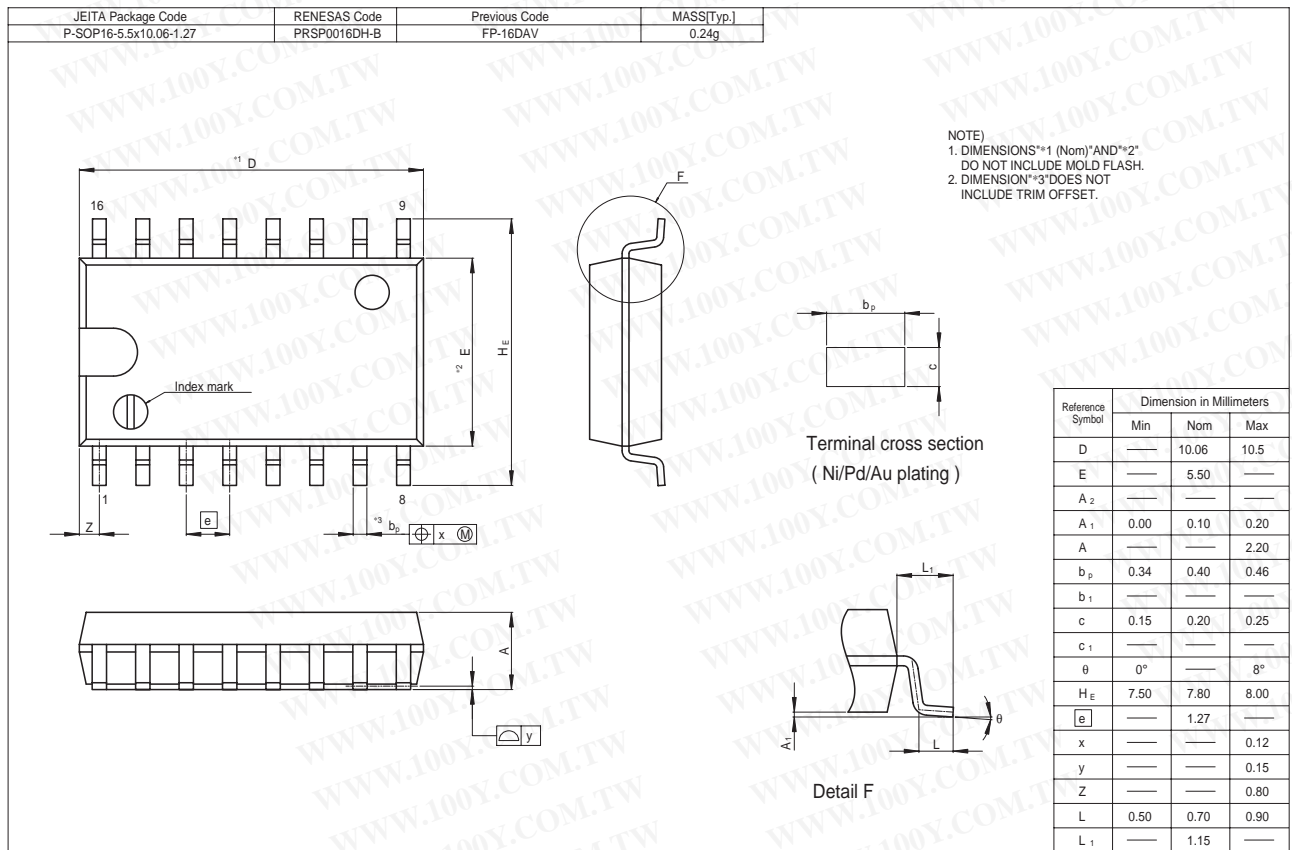
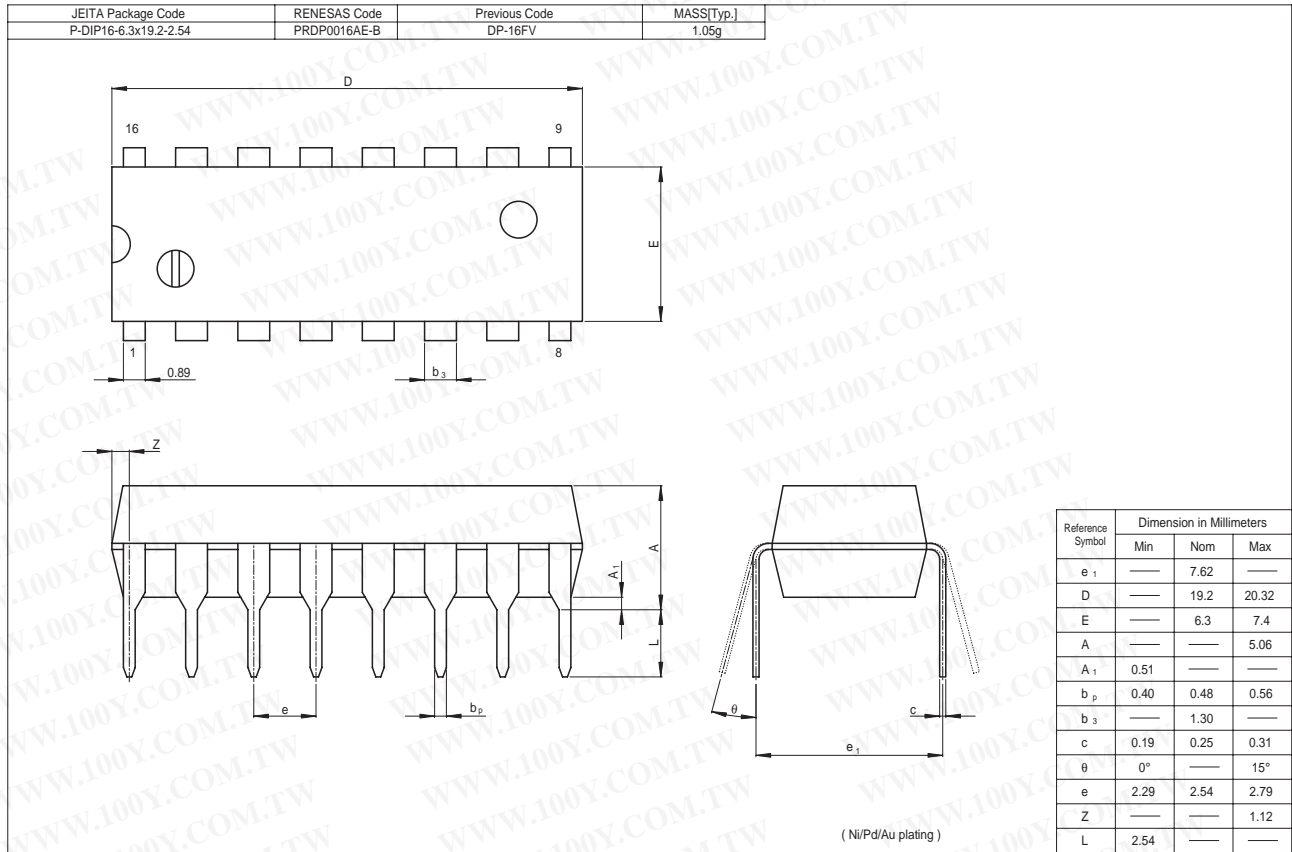
 $(V_{CC} = 5\text{ V}, T_a = 25^\circ\text{C})$

Item	Symbol	min.	typ.	max.	Unit	Condition
Propagation delay time	t_{PLH}	—	10	16	ns	$C_L = 45\text{ pF}, R_L = 667\ \Omega$
	t_{PHL}	—	9	22		
Output enable time	t_{ZH}	—	19	35	ns	
	t_{ZL}	—	24	40		
Output disable time	t_{HZ}	—	—	30	ns	$C_L = 5\text{ pF}, R_L = 667\ \Omega$
	t_{LZ}	—	—	35		

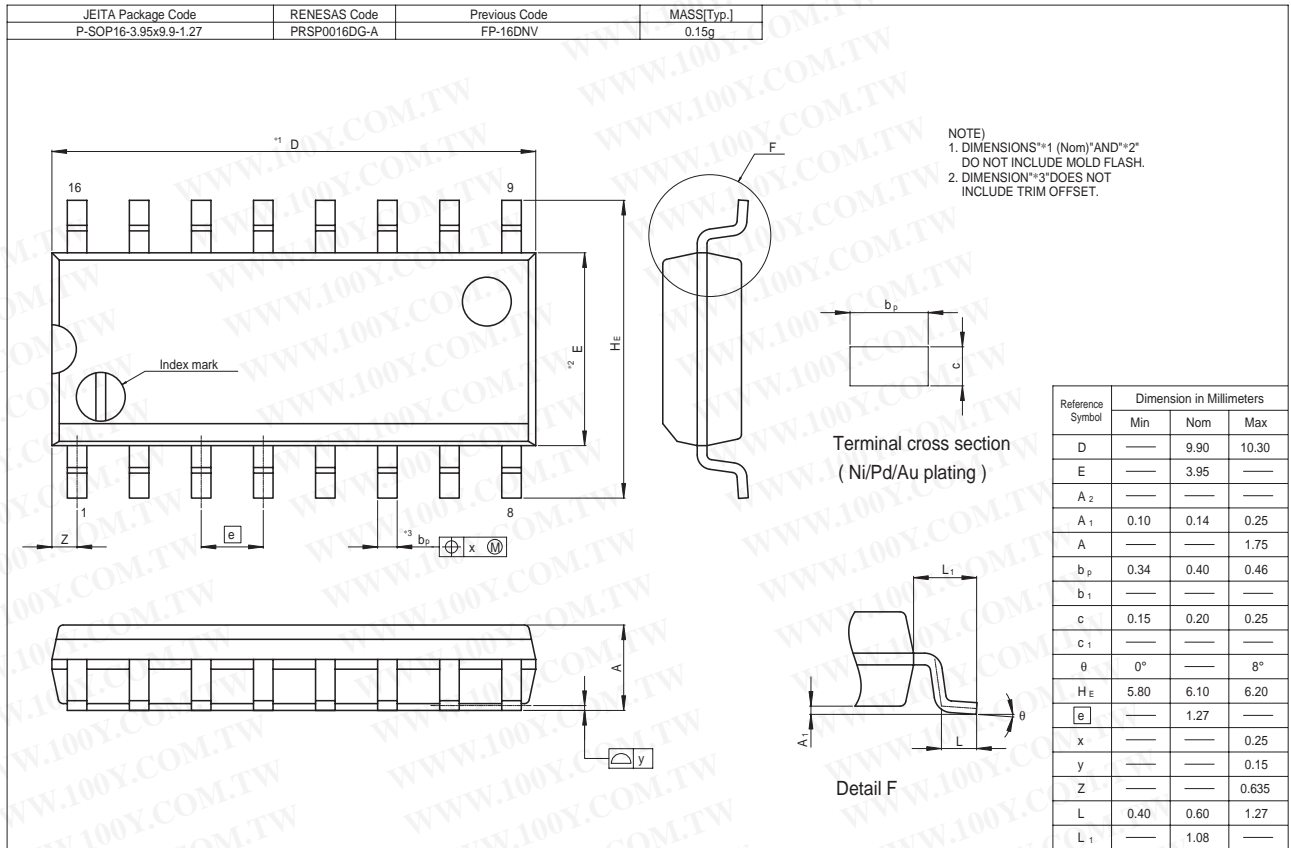
Note: Refer to Test Circuit and Waveform of the Common Item "TTL Common Matter (Document No.: REJ27D0005-0100)".

勝特力材料 886-3-5753170
 勝特力电子(上海) 86-21-34970699
 勝特力电子(深圳) 86-755-83298787
[Http://www.100y.com.tw](http://www.100y.com.tw)

Package Dimensions



HD74LS367A



勝特力材料 886-3-5753170
 勝特力电子(上海) 86-21-34970699
 勝特力电子(深圳) 86-755-83298787
[Http://www.100y.com.tw](http://www.100y.com.tw)