

DUAL RS-232 TRANSMITTER/RECEIVER AND POWER SUPPLY

FEATURES

- Meets All RS-232 Specifications
- Operates From Single 5V Power Supply
- 2 Drivers and 2 Receivers
- On-Board Voltage Quadrupler
- Input Levels $\pm 30V$
- Output Swing With +5V Supply $\pm 9V$
- Low Supply Current 5 mA
- Does not require external $\pm 12V$ supplies

APPLICATIONS

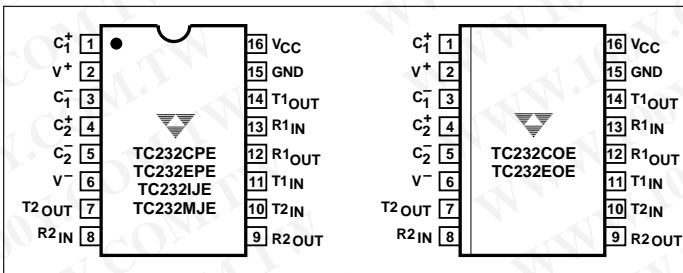
- RS-232C Communication Links
- Modems, peripherals, computers
- Battery-powered systems

GENERAL DESCRIPTION

The TC232 is a dual RS-232 transmitter/receiver that complies with EIA/TIA RS-232E guidelines and is ideal for all RS-232 communication links. This device operates from a 5V power supply and contains two charge pump voltage converters that produce $\pm 10V$ power supplies.

The TC232 has four level translators. Two are RS-232 transmitters that convert TTL/CMOS input levels to 9V RS-232 outputs. The other two translators are RS-232 receivers that convert RS-232 inputs to 5V TTL/CMOS output levels. The receivers have a nominal threshold of 1.3V, a typical hysteresis of 0.5V, and can operate with inputs up to $\pm 30V$.

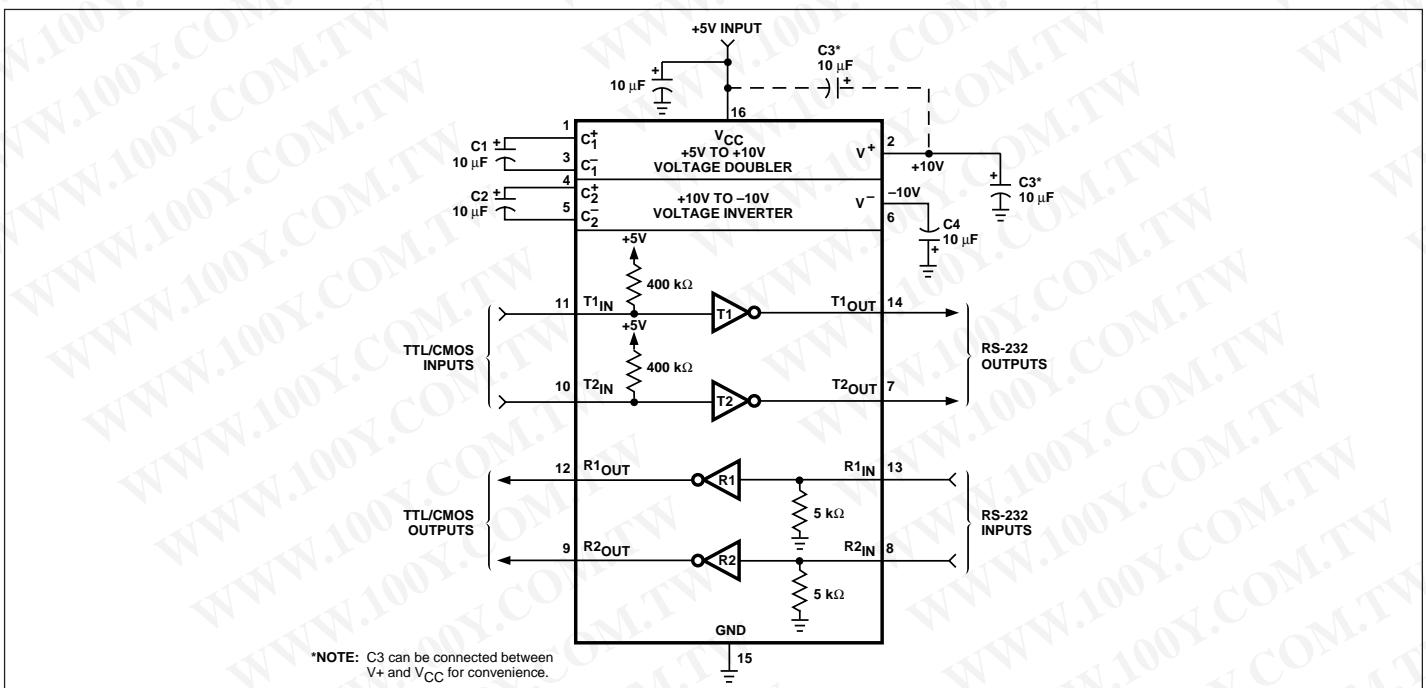
PIN CONFIGURATIONS (DIP AND SOIC)



ORDERING INFORMATION

Part No.	Package	Temp. Range
TC232COE	16-Pin SOIC (Wide)	0°C to +70°C
TC232CPE	16-Pin Plastic DIP	0°C to +70°C
TC232EOE	16-Pin SOIC (Wide)	-40°C to +85°C
TC232EPE	16-Pin Plastic DIP	-40°C to +85°C
TC232IJE	16-Pin CerDIP	-25°C to +85°C
TC232MJE	16-Pin CerDIP	-55°C to +125°C

TYPICAL APPLICATION



勝特力材料 886-3-5753170
 勝特力电子(上海) 86-21-34970699
 勝特力电子(深圳) 86-755-83298787
 Http://www.100y.com.tw

DUAL RS-232 TRANSMITTER/ RECEIVER AND POWER SUPPLY

TC232

ABSOLUTE MAXIMUM RATINGS*

V _{CC}	+6V
V ⁺	+12V
V ⁻	+12V
Input Voltages	
T1 _{IN} , T2 _{IN}	-0.3 to (V _{CC} +0.3V)
R1 _{IN} , R2 _{IN}	±30V
Output Voltages	
T1 _{OUT} , T2 _{OUT}	(V ⁺ +0.3V) to (V ⁻ -0.3V)
R1 _{OUT} , R2 _{OUT}	-0.3 to (V _{CC} +0.3V)
Short Circuit Duration	
V ⁺	30sec
V ⁻	30sec
T1 _{OUT} , T2 _{OUT}	Continuous
Storage Temperature Range	-65°C to +150°C

Package Power Dissipation (T _A ≤ 70°C)	
CerDIP	890mW
Derate 9.5 mW/°C Above +70°C	
Plastic DIP	840mW
Derate 7 mW/°C Above +70°C	
Small Outline (SOIC)	760mW
Derate 7 mW/°C Above +70°C	

*Static-sensitive device. Unused devices must be stored in conductive material. Protect devices from static discharge and static fields. Stresses above those listed under "Absolute Maximum Ratings" may cause permanent damage to the device. These are stress ratings only and functional operation of the device at these or any other conditions above those indicated in the operation sections of the specifications is not implied. Exposure to absolute maximum rating conditions for extended periods may affect device reliability.

ELECTRICAL CHARACTERISTICS: V_{CC} = 5V ±10%, T_A = operating temperature range, test circuit unless otherwise noted.

Parameter	Test Conditions	Min	Typ	Max	Unit
Output Voltage Swing	T1 _{OUT} , T2 _{OUT} Loaded With 3 kΩ to Ground	±5	±9	±10	V
Power Supply Current		—	5	10	mA
Input Logic Threshold Low	T1 _{IN} , T2 _{IN}	—	—	0.8	V
Input Logic Threshold High	T1 _{IN} , T2 _{IN}	2	—	—	V
Logic Pull-Up Current	T1 _{IN} , T2 _{IN} = 0V	—	15	200	μA
RS-232 Input Voltage Operating Range		-30	—	+30	V
RS-232 Input Threshold Low	V _{CC} = 5V	0.8	1.2	—	V
RS-232 Input Threshold High	V _{CC} = 5V	—	1.7	2.4	V
RS-232 Input Hysteresis		0.2	0.5	1	V
RS-232 Input Resistance	T _A = +25°C, V _{CC} = 5V	3	5	7	kΩ
TTL/CMOS Output Voltage Low	I _{OUT} = 3.2 mA	—	—	0.4	V
TTL/CMOS Output Voltage High	I _{OUT} = -1 mA	3.5	—	—	V
Propagation Delay	RS-232 to TTL or TTL to RS-232	—	0.5	—	μsec
Instantaneous Slew Rate	C _L = 10 pF, R _L = 3 kΩ to 7 kΩ, T _A = +25°C (Note 1)	—	—	30	V/μsec
Transition Region Slew Rate	R _L = 3 kΩ, C _L = 2500 pF Measured From +3V to -3V or -3V to +3V	—	3	—	V/μsec
Output Resistance	V _{CC} = V ⁺ = V ⁻ = 0V, V _{OUT} = ±2V	300	—	—	Ω
RS-232 Output Short-Circuit Current		—	±10	—	mA

NOTE 1. Sample tested.

DUAL RS-232 TRANSMITTER/ RECEIVER AND POWER SUPPLY

勝特力材料 886-3-5753170
 勝特力电子(上海) 86-21-34970699
 勝特力电子(深圳) 86-755-83298787
 Http://www.100y.com.tw

TC232

DETAILED DESCRIPTION

The TC232 contains a +5V to $\pm 10V$ dual charge pump voltage converter, a dual transmitter and a dual receiver.

+5V to $\pm 10V$ Dual Charge Pump Voltage Converter

The TC232 power supply consists of two charge pumps. One uses external capacitor C1 to double the +5V input to +10V, with output impedance of about 200 Ω . The other uses C2 to invert +10V to -10V, with overall output impedance of 450 Ω (including effects of +5V to +10V doubler impedance).

The clock in the doubler circuit will start at $\approx 4.2V$ in the typical part, but external loads may make this point rise to as high as 4.5V with a load of 2 k Ω on each of the two output voltages.

Because of this, use of the doubler and inverter to run additional external circuits should be limited. The maximum current should be no more than 2.5 mA from the +10V and -10V, in order to guarantee start-up of the doubler clock.

The test circuit employs 22 μF capacitors for C1 to C4, but the value is not critical. These capacitors usually are low-cost aluminum or tantalum electrolytic capacitors.

Increasing C1 and C2 to 47 μF lowers the output impedance of the +10V doubler and the -10V inverter by the change in the ESR of the capacitors.

Increasing C3 and C4 lowers ripple on the $\pm 10V$ outputs and 16 kHz ripple on the RS-232 outputs. Where size is critical, the value of C1 to C4 can be lowered to 1 μF . The use of a low ESR capacitor will help lower the output ripple and keep the output impedance of the $\pm 10V$ as low as possible.

Dual Transmitter

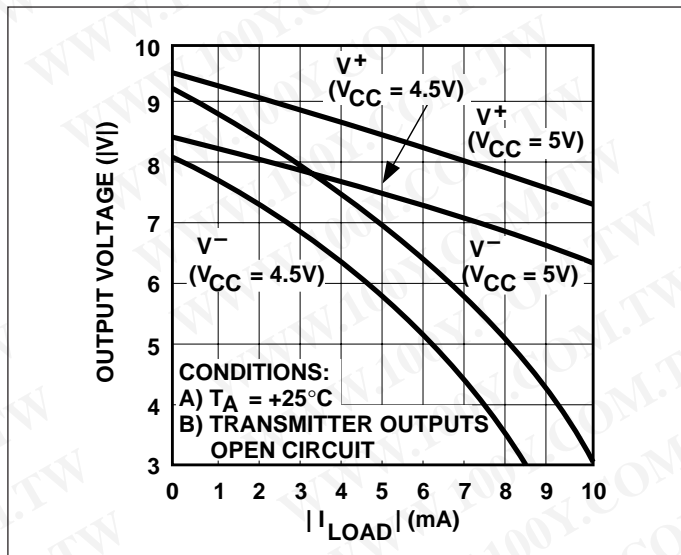
TC232 transmitters are CMOS inverters driven by $\pm 10V$ internally-generated voltages. The input is TTL/CMOS compatible, with a logic threshold of about 26% of V_{CC} (1.3V for 5V V_{CC}). The input of an unused transmitter can be left unconnected, since an internal 400 k Ω pull-up resistor connected between the transmitter input and V_{CC} pulls the input HIGH and forces the unused transmitter output to the LOW state.

With V_{CC} at 5V, the outputs will go from $(V^+ - 0.6V)$ to V^- with no load and will swing $\pm 9V$ when loaded with 3 k Ω . The minimum output voltage swing, with V_{CC} at 4.5V and at maximum ambient temperature, is $\pm 5V$. This conforms to RS-232 specifications for "worst-case" conditions.

EIA/TIA RS-232E specs limit the slew rate at output to less than 30V/ μs .

The powered-down output impedance ($V_{CC} = 0V$) is a minimum of 300 Ω with $\pm 2V$ applied to outputs.

V^+ , V^- Output Voltages vs Load Current



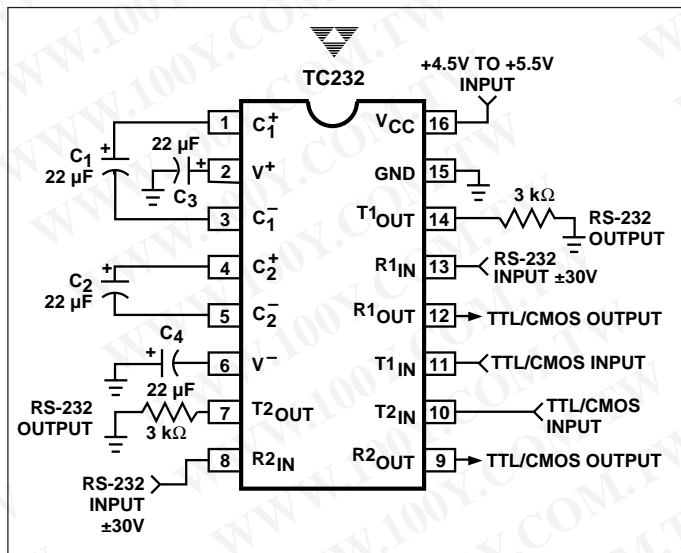
The outputs are protected and can be short-circuited to ground indefinitely.

Dual Receiver

TC232 receivers meet RS-232 input specifications. Input impedance is between 3 k Ω and 7 k Ω . Switching thresholds are within the $\pm 3V$ limits, and the receivers withstand up to $\pm 30V$ inputs. RS-232 and TTL/CMOS input compatible, the receivers have 0.8V V_{IL} and 2.4V V_{IH} with 0.5V hysteresis to reject noise.

The TTL/CMOS compatible receiver output is LOW when an RS-232 input is greater than 2.4V. It is HIGH when an input is floating or between +0.8V and -30V.

TEST CIRCUIT



6