

FEATURES

- 1.6 GHz differential clock input**
- 3 programmable dividers**
 - Divide-by in range from 1 to 32
 - Phase select for coarse delay adjust
- 2 independent 1.6 GHz LVPECL clock outputs**
 - Additive broadband output jitter 225 fs rms
- 1 independent 800 MHz/250 MHz LVDS/CMOS clock output**
 - Additive broadband output jitter 300 fs rms/290 fs rms
 - Time delays up to 10 ns
- Device configured with 4-level logic pins
- Space-saving, 32-lead LFCSP

APPLICATIONS

- Low jitter, low phase noise clock distribution
- Clocking high speed ADCs, DACs, DDSs, DDCs, DUCs, MxFEs
- High performance wireless transceivers
- High performance instrumentation
- Broadband infrastructure
- ATE

GENERAL DESCRIPTION

The AD9514 features a multi-output clock distribution IC in a design that emphasizes low jitter and phase noise to maximize data converter performance. Other applications with demanding phase noise and jitter requirements also benefit from this part.

There are three independent clock outputs. Two of the outputs are LVPECL, and the third output can be set to either LVDS or CMOS levels. The LVPECL outputs operate to 1.6 GHz, and the third output operates to 800 MHz in LVDS mode and to 250 MHz in CMOS mode.

Each output has a programmable divider that can be set to divide by a selected set of integers ranging from 1 to 32. The phase of one clock output relative to another clock output can be set by means of a divider phase select function that serves as a coarse timing adjustment.

FUNCTIONAL BLOCK DIAGRAM

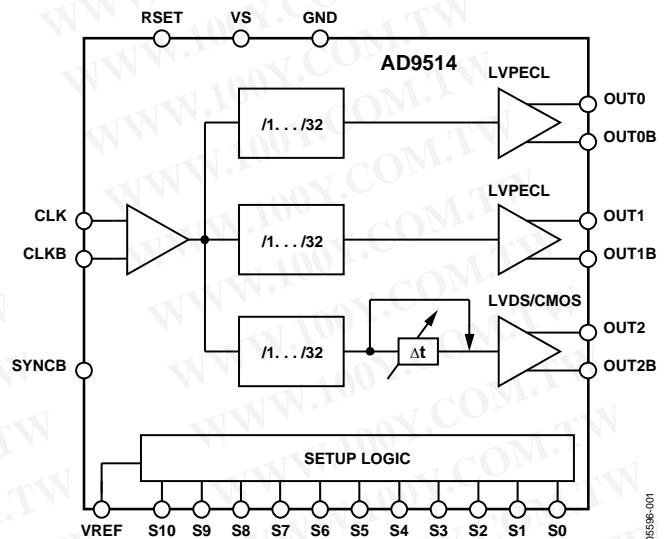


Figure 1.

The LVDS/CMOS output features a delay element with three selectable full-scale delay values (1.5 ns, 5 ns, and 10 ns), each with 16 steps of fine adjustment.

The AD9514 does not require an external controller for operation or setup. The device is programmed by means of 11 pins (S0 to S10) using 4-level logic. The programming pins are internally biased to $\frac{1}{2} V_s$. The VREF pin provides a level of $\frac{2}{3} V_s$. V_s (3.3 V) and GND (0 V) provide the other two logic levels.

The AD9514 is ideally suited for data converter clocking applications where maximum converter performance is achieved by encode signals with subpicosecond jitter.

The AD9514 is available in a 32-lead LFCSP and operates from a single 3.3 V supply. The temperature range is -40°C to $+85^{\circ}\text{C}$.

勝特力材料 886-3-5753170
 勝特力电子(上海) 86-21-34970699
 勝特力电子(深圳) 86-755-83298787
[Http://www.100y.com.tw](http://www.100y.com.tw)

Rev. 0

Information furnished by Analog Devices is believed to be accurate and reliable. However, no responsibility is assumed by Analog Devices for its use, nor for any infringements of patents or other rights of third parties that may result from its use. Specifications subject to change without notice. No license is granted by implication or otherwise under any patent or patent rights of Analog Devices. Trademarks and registered trademarks are the property of their respective owners.

TABLE OF CONTENTS

| | | | |
|--|----|---|----|
| Features | 1 | Power-On SYNC | 18 |
| Applications..... | 1 | SYNCB..... | 18 |
| Functional Block Diagram | 1 | R _{SET} Resistor | 19 |
| General Description | 1 | VREF..... | 19 |
| Revision History | 2 | Setup Configuration..... | 19 |
| Specifications..... | 3 | Divider Phase Offset..... | 22 |
| Clock Input..... | 3 | Delay Block | 22 |
| Clock Outputs..... | 3 | Outputs | 23 |
| Timing Characteristics | 4 | Power Supply..... | 23 |
| Clock Output Phase Noise | 5 | Exposed Metal Paddle | 24 |
| Clock Output Additive Time Jitter..... | 8 | Power Management | 24 |
| SYNCB, VREF, and Setup Pins..... | 10 | Applications..... | 25 |
| Power..... | 10 | Using the AD9514 Outputs for ADC Clock Applications.... | 25 |
| Timing Diagrams..... | 11 | LVPECL Clock Distribution..... | 25 |
| Absolute Maximum Ratings..... | 12 | LVDS Clock Distribution..... | 26 |
| Thermal Characteristics | 12 | CMOS Clock Distribution | 26 |
| ESD Caution..... | 12 | Setup Pins (S0 to S10)..... | 26 |
| Pin Configuration and Function Descriptions..... | 13 | Power and Grounding Considerations and Power Supply Rejection..... | 26 |
| Terminology | 14 | Phase Noise and Jitter Measurement Setups..... | 27 |
| Typical Performance Characteristics | 15 | Outline Dimensions..... | 28 |
| Functional Description | 18 | Ordering Guide | 28 |
| Overall..... | 18 | | |
| CLK, CLKB—Differential Clock Input | 18 | | |
| Synchronization | 18 | | |

REVISION HISTORY

7/05—Revision 0: Initial Version

SPECIFICATIONS

Typical (typ) is given for $V_S = 3.3 \text{ V} \pm 5\%$, $T_A = 25^\circ\text{C}$, $R_{SET} = 4.12 \text{ k}\Omega$, LVPECL $V_{OD} = 790 \text{ mV}$, unless otherwise noted. Minimum (min) and maximum (max) values are given over full V_S and T_A (-40°C to $+85^\circ\text{C}$) variation.

CLOCK INPUT

Table 1.

| Parameter | Min | Typ | Max | Unit | Test Conditions/Comments |
|-------------------------------------|-----|-----|-----|------------|---|
| CLOCK INPUT (CLK) | | | | | |
| Input Frequency ¹ | 0 | | 1.6 | GHz | |
| Input Sensitivity ¹ | | 150 | | mV p-p | |
| Input Common-Mode Voltage, V_{CM} | 1.5 | 1.6 | 1.7 | V | Self-biased; enables ac coupling |
| Input Common-Mode Range, V_{CMR} | 1.3 | | 1.8 | V | With 200 mV p-p signal applied; dc-coupled |
| Input Sensitivity, Single-Ended | | 150 | | mV p-p | CLK ac-coupled; CLKB ac-bypassed to RF ground |
| Input Resistance | 4.0 | 4.8 | 5.6 | k Ω | Self-biased |
| Input Capacitance | | 2 | | pF | |

¹ A slew rate of 1 V/ns is required to meet jitter, phase noise, and propagation delay specifications.

CLOCK OUTPUTS

Table 2.

| Parameter | Min | Typ | Max | Unit | Test Conditions/Comments |
|---|--------------|--------------|--------------|------|--|
| LVPECL CLOCK OUTPUTS (OUT0, OUT1) Differential | | | | | |
| Output Frequency | 0 | | 1.6 | GHz | Termination = 50 Ω to $V_S - 2 \text{ V}$ |
| Output High Voltage (V_{OH}) | $V_S - 1.1$ | $V_S - 0.96$ | $V_S - 0.82$ | V | |
| Output Low Voltage (V_{OL}) | $V_S - 1.90$ | $V_S - 1.76$ | $V_S - 1.52$ | V | |
| Output Differential Voltage (V_{OD}) | 640 | 790 | 960 | mV | |
| LVDS CLOCK OUTPUT (OUT2) Differential | | | | | |
| Output Frequency | 0 | | 800 | MHz | Termination = 100 Ω differential |
| Differential Output Voltage (V_{OD}) | 250 | 350 | 450 | mV | |
| Delta V_{OD} | | | 30 | mV | |
| Output Offset Voltage (V_{OS}) | 1.125 | 1.23 | 1.375 | V | |
| Delta V_{OS} | | | 25 | mV | |
| Short-Circuit Current (I_{SA} , I_{SB}) | | 14 | 24 | mA | Output shorted to GND |
| CMOS CLOCK OUTPUT (OUT2) Single-Ended | | | | | |
| Output Frequency | 0 | | 250 | MHz | Single-ended measurements; termination open Complementary output on (OUT2B) |
| Output Voltage High (V_{OH}) | $V_S - 0.1$ | | | V | With 5 pF load @ 1 mA load |
| Output Voltage Low (V_{OL}) | | | 0.1 | V | @ 1 mA load |

AD9514

TIMING CHARACTERISTICS

CLK input slew rate = 1 V/ns or greater.

Table 3.

| Parameter | Min | Typ | Max | Unit | Test Conditions/Comments |
|--|------|-------|------|-------|--|
| LVPECL | | | | | Termination = 50 Ω to $V_S - 2V$ |
| Output Rise Time, t_{RP} | | 60 | 100 | ps | 20% to 80%, measured differentially |
| Output Fall Time, t_{FP} | | 60 | 100 | ps | 80% to 20%, measured differentially |
| PROPAGATION DELAY, t_{PECL} , CLK-TO-LVPECL OUT | | | | | |
| Divide = 1 | 355 | 480 | 635 | ps | |
| Divide = 2 – 32 | 395 | 530 | 710 | ps | |
| Variation with Temperature | | 0.5 | | ps/°C | |
| OUTPUT SKEW, LVPECL | | | | | |
| OUT0 to OUT1 on Same Part, t_{SKP}^1 | -50 | 0 | +55 | ps | |
| Both LVPECL Outputs Across Multiple Parts, $t_{SKP_AB}^2$ | | | 125 | ps | |
| Same LVPECL Output Across Multiple Parts, $t_{SKP_AB}^2$ | | | 125 | ps | |
| LVDS | | | | | Termination = 100 Ω differential, 3.5 mA |
| Output Rise Time, t_{RL} | | 200 | 350 | ps | 20% to 80%, measured differentially |
| Output Fall Time, t_{FL} | | 210 | 350 | ps | 80% to 20%, measured differentially |
| PROPAGATION DELAY, t_{LVDS} , CLK-TO-LVDS OUT | | | | | Optional delay off |
| Divide = 1 | 1.00 | 1.25 | 1.55 | ns | |
| Divide = 2 – 32 | 1.05 | 1.30 | 1.60 | ns | |
| Variation with Temperature | | 0.9 | | ps/°C | |
| OUTPUT SKEW, LVDS | | | | | Optional delay off |
| LVDS Output Across Multiple Parts, $t_{SKV_AB}^2$ | | | 230 | ps | |
| CMOS | | | | | B outputs are inverted; termination = open |
| Output Rise Time, t_{RC} | | 650 | 865 | ps | 20% to 80%; $C_{LOAD} = 3$ pF single-ended |
| Output Fall Time, t_{FC} | | 650 | 990 | ps | 80% to 20%; $C_{LOAD} = 3$ pF single-ended |
| PROPAGATION DELAY, t_{CMOS} , CLK-TO-CMOS OUT | | | | | Optional delay off |
| Divide = 1 | 1.10 | 1.45 | 1.75 | ns | |
| Divide = 2 – 32 | 1.15 | 1.50 | 1.80 | ns | |
| Variation with Temperature | | 1 | | ps/°C | |
| OUTPUT SKEW, CMOS | | | | | Optional delay off |
| CMOS Output Across Multiple Parts, $t_{SKC_AB}^2$ | | | 300 | ps | |
| LVPECL-TO-LVDS OUT | | | | | |
| Output Delay, t_{SKV_C} | 560 | 790 | 950 | ps | |
| LVPECL-TO-CMOS OUT | | | | | |
| Output Delay, t_{SKV_C} | 700 | 970 | 1150 | ps | |
| DELAY ADJUST (OUT2; LVDS and CMOS) | | | | | |
| S0 = 1/3 | | | | | |
| Zero Scale Delay Time ³ | | 0.34 | | ns | |
| Zero Scale Variation with Temperature | | 0.20 | | ps/°C | |
| Full Scale Time Delay ³ | | 1.7 | | ns | |
| Full Scale Variation with Temperature | | -0.38 | | ps/°C | |
| S0 = 2/3 | | | | | |
| Zero Scale Delay Time ³ | | 0.45 | | ns | |
| Zero Scale Variation with Temperature | | 0.31 | | ps/°C | |
| Full Scale Time Delay ³ | | 5.9 | | ns | |
| Full Scale Variation with Temperature | | -1.3 | | ps/°C | |

| Parameter | Min | Typ | Max | Unit | Test Conditions/Comments |
|---------------------------------------|-----|------|-----|-------|--------------------------|
| S0 = 1 | | | | | |
| Zero Scale Delay Time ³ | | 0.56 | | ns | |
| Zero Scale Variation with Temperature | | 0.47 | | ps/°C | |
| Full Scale Time Delay ³ | | 11.4 | | ns | |
| Full Scale Variation with Temperature | | -5 | | ps/°C | |
| Linearity, DNL | | 0.2 | | LSB | |
| Linearity, INL | | 0.2 | | LSB | |

¹ This is the difference between any two similar delay paths within a single device operating at the same voltage and temperature.

² This is the difference between any two similar delay paths across multiple devices operating at the same voltage and temperature.

³ Incremental delay; does not include propagation delay.

CLOCK OUTPUT PHASE NOISE

CLK input slew rate = 1 V/ns or greater.

Table 4.

| Parameter | Min | Typ | Max | Unit | Test Conditions/Comments |
|------------------------------------|-----|------|-----|--------|--------------------------|
| CLK-TO-LVPECL ADDITIVE PHASE NOISE | | | | | |
| CLK = 622.08 MHz, OUT = 622.08 MHz | | | | | |
| Divide = 1 | | | | | |
| @ 10 Hz Offset | | -125 | | dBc/Hz | |
| @ 100 Hz Offset | | -132 | | dBc/Hz | |
| @ 1 kHz Offset | | -140 | | dBc/Hz | |
| @ 10 kHz Offset | | -148 | | dBc/Hz | |
| @ 100 kHz Offset | | -153 | | dBc/Hz | |
| >1 MHz Offset | | -154 | | dBc/Hz | |
| CLK = 622.08 MHz, OUT = 155.52 MHz | | | | | |
| Divide = 4 | | | | | |
| @ 10 Hz Offset | | -128 | | dBc/Hz | |
| @ 100 Hz Offset | | -140 | | dBc/Hz | |
| @ 1 kHz Offset | | -148 | | dBc/Hz | |
| @ 10 kHz Offset | | -155 | | dBc/Hz | |
| @ 100 kHz Offset | | -161 | | dBc/Hz | |
| >1 MHz Offset | | -161 | | dBc/Hz | |
| CLK = 622.08 MHz, OUT = 38.88 MHz | | | | | |
| Divide = 16 | | | | | |
| @ 10 Hz Offset | | -135 | | dBc/Hz | |
| @ 100 Hz Offset | | -145 | | dBc/Hz | |
| @ 1 kHz Offset | | -158 | | dBc/Hz | |
| @ 10 kHz Offset | | -165 | | dBc/Hz | |
| @ 100 kHz Offset | | -165 | | dBc/Hz | |
| >1 MHz Offset | | -166 | | dBc/Hz | |
| CLK = 491.52 MHz, OUT = 61.44 MHz | | | | | |
| Divide = 8 | | | | | |
| @ 10 Hz Offset | | -131 | | dBc/Hz | |
| @ 100 Hz Offset | | -142 | | dBc/Hz | |
| @ 1 kHz Offset | | -153 | | dBc/Hz | |
| @ 10 kHz Offset | | -160 | | dBc/Hz | |
| @ 100 kHz Offset | | -165 | | dBc/Hz | |
| >1 MHz Offset | | -165 | | dBc/Hz | |

AD9514

| Parameter | Min | Typ | Max | Unit | Test Conditions/Comments |
|--|-----|------|-----|--------|--------------------------|
| CLK = 491.52 MHz, OUT = 245.76 MHz Divide = 2 @ 10 Hz Offset @ 100 Hz Offset @ 1 kHz Offset @ 10 kHz Offset @ 100 kHz Offset >1 MHz Offset CLK = 245.76 MHz, OUT = 61.44 MHz Divide = 4 @ 10 Hz Offset @ 100 Hz Offset @ 1 kHz Offset @ 10 kHz Offset @ 100 kHz Offset >1 MHz Offset | | | | | |
| | | -125 | | dBc/Hz | |
| | | -132 | | dBc/Hz | |
| | | -140 | | dBc/Hz | |
| | | -151 | | dBc/Hz | |
| | | -157 | | dBc/Hz | |
| | | -158 | | dBc/Hz | |
| | | -138 | | dBc/Hz | |
| | | -144 | | dBc/Hz | |
| | | -154 | | dBc/Hz | |
| | | -163 | | dBc/Hz | |
| | | -164 | | dBc/Hz | |
| | | -165 | | dBc/Hz | |
| CLK-TO-LVDS ADDITIVE PHASE NOISE CLK = 622.08 MHz, OUT = 622.08 MHz Divide = 1 @ 10 Hz Offset @ 100 Hz Offset @ 1 kHz Offset @ 10 kHz Offset @ 100 kHz Offset @ 1 MHz Offset >10 MHz Offset CLK = 622.08 MHz, OUT = 155.52 MHz Divide = 4 @ 10 Hz Offset @ 100 Hz Offset @ 1 kHz Offset @ 10 kHz Offset @ 100 kHz Offset @ 1 MHz Offset >10 MHz Offset CLK = 491.52 MHz, OUT = 245.76 MHz Divide = 2 @ 10 Hz Offset @ 100 Hz Offset @ 1 kHz Offset @ 10 kHz Offset @ 100 kHz Offset @ 1 MHz Offset >10 MHz Offset | | | | | |
| | | -100 | | dBc/Hz | |
| | | -110 | | dBc/Hz | |
| | | -118 | | dBc/Hz | |
| | | -129 | | dBc/Hz | |
| | | -135 | | dBc/Hz | |
| | | -140 | | dBc/Hz | |
| | | -148 | | dBc/Hz | |
| | | -112 | | dBc/Hz | |
| | | -122 | | dBc/Hz | |
| | | -132 | | dBc/Hz | |
| | | -142 | | dBc/Hz | |
| | | -148 | | dBc/Hz | |
| | | -152 | | dBc/Hz | |
| | | -155 | | dBc/Hz | |
| | | -108 | | dBc/Hz | |
| | | -118 | | dBc/Hz | |
| | | -128 | | dBc/Hz | |
| | | -138 | | dBc/Hz | |
| | | -145 | | dBc/Hz | |
| | | -148 | | dBc/Hz | |
| | | -154 | | dBc/Hz | |

| Parameter | Min | Typ | Max | Unit | Test Conditions/Comments |
|--|-----|------|-----|--------|--------------------------|
| CLK = 491.52 MHz, OUT = 122.88 MHz Divide = 4 | | | | | |
| @ 10 Hz Offset | | -118 | | dBc/Hz | |
| @ 100 Hz Offset | | -129 | | dBc/Hz | |
| @ 1 kHz Offset | | -136 | | dBc/Hz | |
| @ 10 kHz Offset | | -147 | | dBc/Hz | |
| @ 100 kHz Offset | | -153 | | dBc/Hz | |
| @ 1 MHz Offset | | -156 | | dBc/Hz | |
| >10 MHz Offset | | -158 | | dBc/Hz | |
| CLK = 245.76 MHz, OUT = 245.76 MHz Divide = 1 | | | | | |
| @ 10 Hz Offset | | -108 | | dBc/Hz | |
| @ 100 Hz Offset | | -118 | | dBc/Hz | |
| @ 1 kHz Offset | | -128 | | dBc/Hz | |
| @ 10 kHz Offset | | -138 | | dBc/Hz | |
| @ 100 kHz Offset | | -145 | | dBc/Hz | |
| @ 1 MHz Offset | | -148 | | dBc/Hz | |
| >10 MHz Offset | | -155 | | dBc/Hz | |
| CLK = 245.76 MHz, OUT = 122.88 MHz Divide = 2 | | | | | |
| @ 10 Hz Offset | | -118 | | dBc/Hz | |
| @ 100 Hz Offset | | -127 | | dBc/Hz | |
| @ 1 kHz Offset | | -137 | | dBc/Hz | |
| @ 10 kHz Offset | | -147 | | dBc/Hz | |
| @ 100 kHz Offset | | -154 | | dBc/Hz | |
| @ 1 MHz Offset | | -156 | | dBc/Hz | |
| >10 MHz Offset | | -158 | | dBc/Hz | |
| CLK-TO-CMOS ADDITIVE PHASE NOISE | | | | | |
| CLK = 245.76 MHz, OUT = 245.76 MHz Divide = 1 | | | | | |
| @ 10 Hz Offset | | -110 | | dBc/Hz | |
| @ 100 Hz Offset | | -121 | | dBc/Hz | |
| @ 1 kHz Offset | | -130 | | dBc/Hz | |
| @ 10 kHz Offset | | -140 | | dBc/Hz | |
| @ 100 kHz Offset | | -145 | | dBc/Hz | |
| @ 1 MHz Offset | | -149 | | dBc/Hz | |
| >10 MHz Offset | | -156 | | dBc/Hz | |
| CLK = 245.76 MHz, OUT = 61.44 MHz Divide = 4 | | | | | |
| @ 10 Hz Offset | | -125 | | dBc/Hz | |
| @ 100 Hz Offset | | -132 | | dBc/Hz | |
| @ 1 kHz Offset | | -143 | | dBc/Hz | |
| @ 10 kHz Offset | | -152 | | dBc/Hz | |
| @ 100 kHz Offset | | -158 | | dBc/Hz | |
| @ 1 MHz Offset | | -160 | | dBc/Hz | |
| >10 MHz Offset | | -162 | | dBc/Hz | |

AD9514

| Parameter | Min | Typ | Max | Unit | Test Conditions/Comments |
|--------------------------------------|-----|------|-----|--------|--------------------------|
| CLK = 78.6432 MHz, OUT = 78.6432 MHz | | | | | |
| Divide = 1 | | | | | |
| @ 10 Hz Offset | | -122 | | dBc/Hz | |
| @ 100 Hz Offset | | -132 | | dBc/Hz | |
| @ 1 kHz Offset | | -140 | | dBc/Hz | |
| @ 10 kHz Offset | | -150 | | dBc/Hz | |
| @ 100 kHz Offset | | -155 | | dBc/Hz | |
| @ 1 MHz Offset | | -158 | | dBc/Hz | |
| >10 MHz Offset | | -160 | | dBc/Hz | |
| CLK = 78.6432 MHz, OUT = 39.3216 MHz | | | | | |
| Divide = 2 | | | | | |
| @ 10 Hz Offset | | -128 | | dBc/Hz | |
| @ 100 Hz Offset | | -136 | | dBc/Hz | |
| @ 1 kHz Offset | | -146 | | dBc/Hz | |
| @ 10 kHz Offset | | -155 | | dBc/Hz | |
| @ 100 kHz Offset | | -161 | | dBc/Hz | |
| >1 MHz Offset | | -162 | | dBc/Hz | |

CLOCK OUTPUT ADDITIVE TIME JITTER

Table 5.

| Parameter | Min | Typ | Max | Unit | Test Conditions/Comments |
|---|-----|-----|-----|--------|--|
| LVPECL OUTPUT ADDITIVE TIME JITTER | | | | | |
| CLK = 622.08 MHz LVPECL (OUT0 and OUT1) = 622.08 MHz Divide = 1 | | 40 | | fs rms | BW = 12 kHz – 20 MHz OUT2 off |
| CLK = 622.08 MHz LVPECL (OUT0 and OUT1) = 155.52 MHz Divide = 4 | | 55 | | fs rms | BW = 12 kHz – 20 MHz OUT2 off |
| CLK = 400 MHz LVPECL (OUT0 and OUT1) = 100 MHz Divide = 4 | | 215 | | fs rms | Calculated from SNR of ADC method; OUT2 off |
| CLK = 400 MHz LVPECL (OUT0, OUT1) = 100 MHz Divide = 4 | | 215 | | fs rms | Calculated from SNR of ADC method; Other LVPECL and OUT2 LVDS at same frequency |
| CLK = 400 MHz LVPECL (OUT0 or OUT1) = 100 MHz Divide = 4 Other LVPECL = 50 MHz LVDS (OUT2) = 50 MHz | | 225 | | fs rms | Calculated from SNR of ADC method; Interferer Interferer |
| CLK = 400 MHz LVPECL (OUT0 or OUT1) = 100 MHz Divide = 4 Other LVPECL = 50 MHz CMOS (OUT2) = 50 MHz | | 230 | | fs rms | Calculated from SNR of ADC method; Interferer Interferer |
| LVDS OUTPUT ADDITIVE TIME JITTER | | | | | Delay off |
| CLK = 400 MHz LVDS (OUT2) = 100 MHz Divide = 4 | | 300 | | fs rms | Calculated from SNR of ADC method; OUT0 at same frequency; OUT1 off |

| Parameter | Min | Typ | Max | Unit | Test Conditions/Comments |
|---|-----|---|-----|--|---|
| CLK = 400 MHz LVDS (OUT2) = 100 MHz Divide = 4 Both LVPECL = 50 MHz | | 350 | | fs rms | Calculated from SNR of ADC method Interferer(s) |
| CMOS OUTPUT ADDITIVE TIME JITTER | | | | | Delay off |
| CLK = 400 MHz CMOS (OUT2) = 100 MHz Divide = 4 | | 290 | | fs rms | Calculated from SNR of ADC method OUT0 at same frequency; OUT1 off |
| CLK = 400 MHz CMOS (OUT2) = 100 MHz Divide = 4 Both LVPECL = 50 MHz | | 315 | | fs rms | Calculated from SNR of ADC method Interferer(s) |
| DELAY BLOCK ADDITIVE TIME JITTER ¹ Delay FS = 1.5 ns Fine Adj. 00000 Delay FS = 1.5 ns Fine Adj. 11111 Delay FS = 5 ns Fine Adj. 00000 Delay FS = 5 ns Fine Adj. 11111 Delay FS = 10 ns Fine Adj. 00000 Delay FS = 10 ns Fine Adj. 11111 | | 0.71 1.2 1.3 2.7 2.0 2.8 | | ps rms ps rms ps rms ps rms ps rms ps rms | 100 MHz output; incremental additive jitter |

¹ This value is incremental. That is, it is in addition to the jitter of the LVDS or CMOS output without the delay. To estimate the total jitter, the LVDS or CMOS output jitter should be added to this value using the root sum of the squares (RSS) method.

AD9514

SYNCB, VREF, AND SETUP PINS

Table 6.

| Parameter | Min | Typ | Max | Unit | Test Conditions/Comments |
|----------------|---------------------|-----|---------------------|------|--|
| SYNCB | | | | | |
| Logic High | 2.7 | | | V | |
| Logic Low | | | 0.40 | V | |
| Capacitance | | 2 | | pF | |
| VREF | | | | | |
| Output Voltage | 0.62 V _s | | 0.76 V _s | V | Minimum – maximum from 0 mA to 1 mA load |
| S0 TO S10 | | | | | |
| Levels | | | | | |
| 0 | | | 0.1 V _s | V | |
| 1/3 | 0.2 V _s | | 0.45 V _s | V | |
| 2/3 | 0.55 V _s | | 0.8 V _s | V | |
| 1 | 0.9 V _s | | | V | |

POWER

Table 7.

| Parameter | Min | Typ | Max | Unit | Test Conditions/Comments |
|---|-----|-----|-----|------|--|
| POWER-ON SYNCHRONIZATION ¹ | | | 35 | ms | See Figure 24. |
| V _s Transit Time from 2.2 V to 3.1 V | | | | | |
| POWER DISSIPATION | 295 | 405 | 550 | mW | All outputs on. 2 LVPECL (divide = 2), 1 LVDS (divide = 2). No clock. Does not include power dissipated in external resistors. |
| | 380 | 490 | 635 | mW | All outputs on. 2 LVPECL (divide = 2), 1 CMOS (divide = 2); at 62.5 MHz out (5 pF load). |
| | 410 | 525 | 680 | mW | All outputs on. 2 LVPECL, 1 CMOS (divide = 2); At 125 MHz out (5 pF load). |
| POWER DELTA | | | | | |
| Divider (Divide = 2 to Divide = 1) | 15 | 30 | 45 | mW | For each divider. No clock. |
| LVPECL Output | 65 | 90 | 125 | mW | For each output. No clock. |
| LVDS Output | 20 | 50 | 85 | mW | No clock. |
| CMOS Output (Static) | 30 | 40 | 50 | mW | No clock. |
| CMOS Output (@ 62.5 MHz) | 80 | 110 | 140 | mW | Single-ended. At 62.5 MHz out with 5 pF load. |
| CMOS Output (@ 125 MHz) | 110 | 150 | 190 | mW | Single-ended. At 125 MHz out with 5 pF load. |
| Delay Block | 30 | 45 | 65 | mW | Off to 1.5 ns fs, delay word = 60; output clocking at 62.5 MHz. |

¹ This is the rise time of the V_s supply that is required to ensure that a synchronization of the outputs occurs on power-up. The critical factor is the time it takes the V_s to transition the range from 2.2 V to 3.1 V. If the rise time is too slow, the outputs will not be synchronized.

TIMING DIAGRAMS

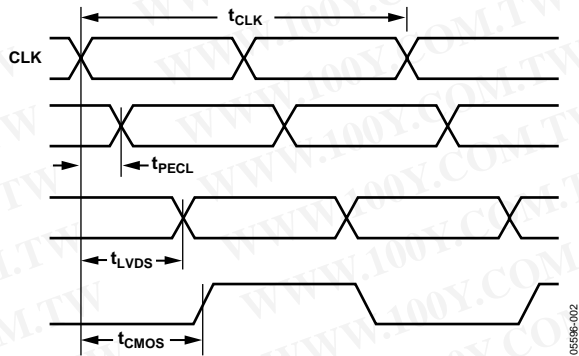


Figure 2. CLK/CLKB to Clock Output Timing, Divide = 1 Mode

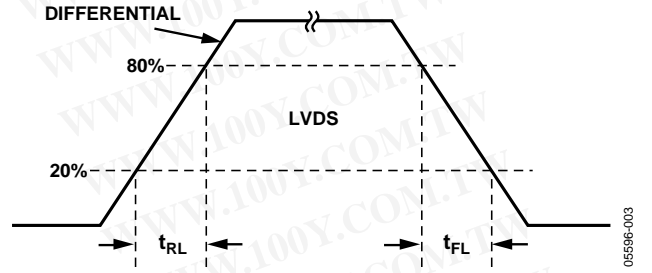


Figure 4. LVDS Timing, Differential

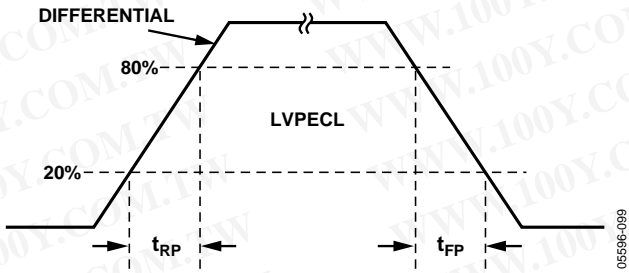


Figure 3. LVPECL Timing, Differential

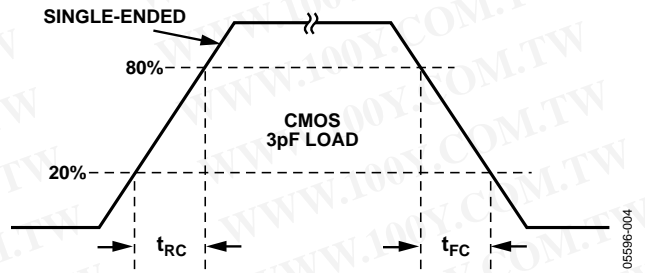


Figure 5. CMOS Timing, Single-Ended, 3 pF Load

ABSOLUTE MAXIMUM RATINGS

Table 8.

| Parameter or Pin | With Respect to | Min | Max | Unit |
|-----------------------------------|-----------------|------|----------------------|------|
| VS | GND | -0.3 | +3.6 | V |
| RSET | GND | -0.3 | V _S + 0.3 | V |
| CLK | GND | -0.3 | V _S + 0.3 | V |
| CLK | CLKB | -1.2 | +1.2 | V |
| OUT0, OUT1, OUT2 | GND | -0.3 | V _S + 0.3 | V |
| FUNCTION | GND | -0.3 | V _S + 0.3 | V |
| STATUS | GND | -0.3 | V _S + 0.3 | V |
| Junction Temperature ¹ | | | 150 | °C |
| Storage Temperature | | -65 | +150 | °C |
| Lead Temperature (10 sec) | | | 300 | °C |

Stresses above those listed under Absolute Maximum Ratings may cause permanent damage to the device. This is a stress rating only; functional operation of the device at these or any other conditions above those indicated in the operational section of this specification is not implied. Exposure to absolute maximum ratings for extended periods may affect device reliability.

THERMAL CHARACTERISTICS²

Thermal Resistance

32-Lead LFCSP³
 $\theta_{JA} = 36.6^{\circ}\text{C/W}$

¹ See Thermal Characteristics for θ_{JA} .

² Thermal impedance measurements were taken on a 4-layer board in still air in accordance with EIA/JESD51-7.

³ The external pad of this package must be soldered to adequate copper land on board.

ESD CAUTION

ESD (electrostatic discharge) sensitive device. Electrostatic charges as high as 4000 V readily accumulate on the human body and test equipment and can discharge without detection. Although this product features proprietary ESD protection circuitry, permanent damage may occur on devices subjected to high energy electrostatic discharges. Therefore, proper ESD precautions are recommended to avoid performance degradation or loss of functionality.



PIN CONFIGURATION AND FUNCTION DESCRIPTIONS

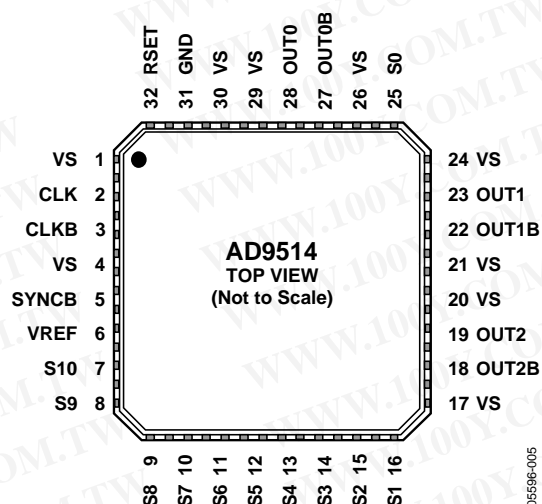


Figure 6. 32-Lead LFCSP Pin Configuration

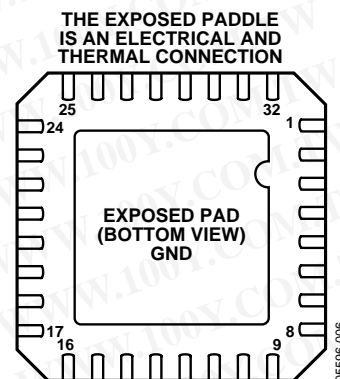


Figure 7. Exposed Paddle

Note that the exposed paddle on this package is an electrical connection as well as a thermal enhancement. For the device to function properly, the paddle *must* be soldered to a PCB land that functions as both a heat dissipation path as well as an electrical ground (analog).

Table 9. Pin Function Descriptions

| Pin No. | Mnemonic | Description |
|----------------------------------|-----------|--|
| 1, 4, 17, 20, 21, 24, 26, 29, 30 | VS | Power Supply (3.3 V). |
| 2 | CLK | Clock Input. |
| 3 | CLKB | Complementary Clock Input. |
| 5 | SYNCB | Used to Synchronize Outputs; Do Not Let Float. |
| 6 | VREF | Provides $2/3 V_s$ for Use as One of the Four Logic Levels on S0 to S10. |
| 7 to 16, 25 | S10 to S0 | Setup Select Pins. These are 4-state logic. The logic levels are V_s , GND, $1/3 V_s$, and $2/3 V_s$. The VREF pin provides $2/3 V_s$. Each pin is internally biased to $1/3 V_s$ so that a pin requiring that logic level should be left no connection (NC). |
| 18 | OUT2B | Complementary LVDS/Inverted CMOS Output. |
| 19 | OUT2 | LVDS/CMOS Output. |
| 22 | OUT1B | Complementary LVPECL Output. |
| 23 | OUT1 | LVPECL Output. |
| 27 | OUT0B | Complementary LVPECL Output. |
| 28 | OUT0 | LVPECL Output. |
| 31, Exposed Paddle | GND | Ground. The exposed paddle on the back of the chip is also GND. |
| 32 | RSET | Current Sets Resistor to Ground. Nominal value = 4.12 k Ω . |

TERMINOLOGY

Phase Jitter and Phase Noise

An ideal sine wave can be thought of as having a continuous and even progression of phase with time from 0 to 360 degrees for each cycle. Actual signals, however, display a certain amount of variation from ideal phase progression over time. This phenomenon is called phase jitter. Although there are many causes that can contribute to phase jitter, one major component is due to random noise that is characterized statistically as being Gaussian (normal) in distribution.

This phase jitter leads to a spreading out of the energy of the sine wave in the frequency domain, producing a continuous power spectrum. This power spectrum is usually reported as a series of values whose units are dBc/Hz at a given offset in frequency from the sine wave (carrier). The value is a ratio (expressed in dB) of the power contained within a 1 Hz bandwidth with respect to the power at the carrier frequency. For each measurement, the offset from the carrier frequency is also given.

It is also meaningful to integrate the total power contained within some interval of offset frequencies (for example, 10 kHz to 10 MHz). This is called the integrated phase noise over that frequency offset interval and can be readily related to the time jitter due to the phase noise within that offset frequency interval.

Phase noise has a detrimental effect on the performance of ADCs, DACs, and RF mixers. It lowers the achievable dynamic range of the converters and mixers, although they are affected in somewhat different ways.

Time Jitter

Phase noise is a frequency domain phenomenon. In the time domain, the same effect is exhibited as time jitter. When observing a sine wave, the time of successive zero crossings is seen to vary. For a square wave, the time jitter is seen as a displacement of the edges from their ideal (regular) times of occurrence. In both cases, the variations in timing from the ideal are the time jitter. Since these variations are random in nature, the time jitter is specified in units of seconds root mean square (rms) or 1 sigma of the Gaussian distribution.

Time jitter that occurs on a sampling clock for a DAC or an ADC decreases the SNR and dynamic range of the converter. A sampling clock with the lowest possible jitter provides the highest performance from a given converter.

Additive Phase Noise

It is the amount of phase noise that is attributable to the device or subsystem being measured. The phase noise of any external oscillators or clock sources has been subtracted. This makes it possible to predict the degree to which the device affects the total system phase noise when used in conjunction with the various oscillators and clock sources, each of which contribute their own phase noise to the total. In many cases, the phase noise of one element dominates the system phase noise.

Additive Time Jitter

It is the amount of time jitter that is attributable to the device or subsystem being measured. The time jitter of any external oscillators or clock sources has been subtracted. This makes it possible to predict the degree to which the device will affect the total system time jitter when used in conjunction with the various oscillators and clock sources, each of which contribute their own time jitter to the total. In many cases, the time jitter of the external oscillators and clock sources dominates the system time jitter.

TYPICAL PERFORMANCE CHARACTERISTICS

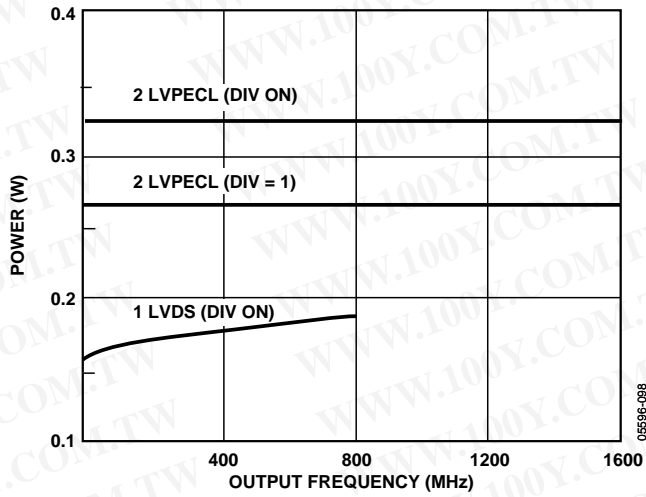


Figure 8. Power vs. Frequency—LVPECL, LVDS

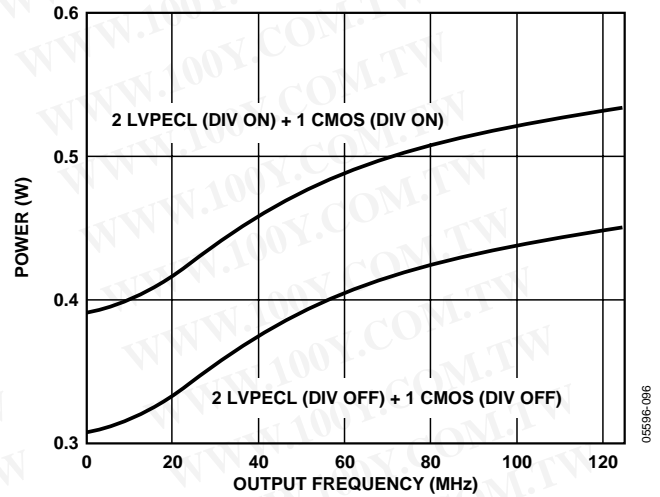
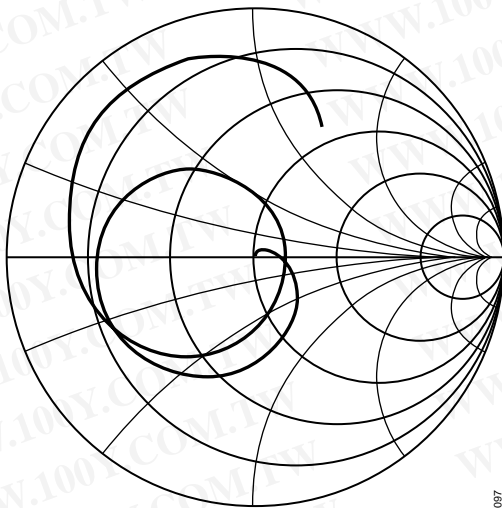


Figure 10. Power vs. Frequency—LVPECL, CMOS



START 300kHz STOP 5GHz
Figure 9. CLK Smith Chart (Evaluation Board)

AD9514

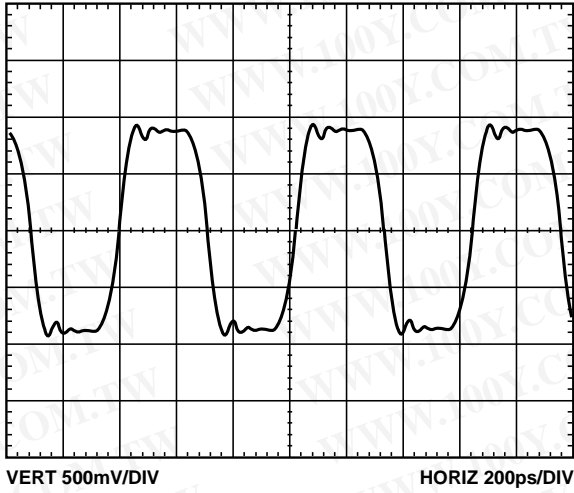


Figure 11. LVPECL Differential Output @ 1600 MHz

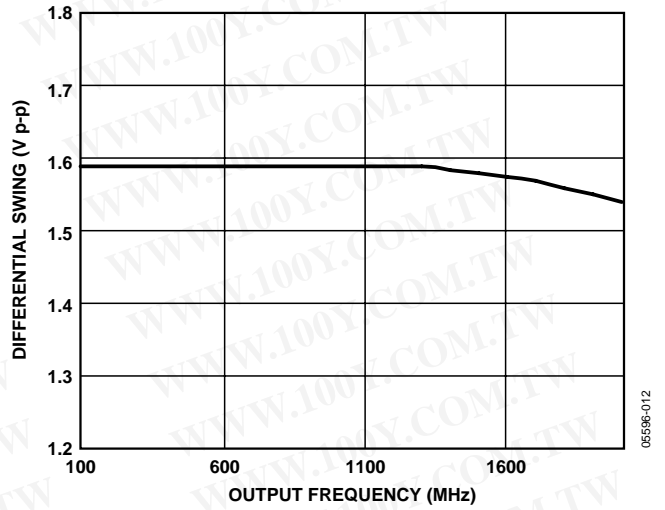


Figure 14. LVPECL Differential Peak-to-Peak Output Swing vs. Frequency

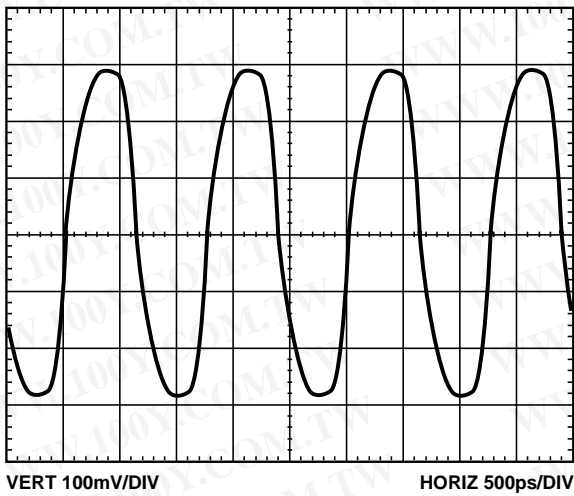


Figure 12. LVDS Differential Output @ 800 MHz

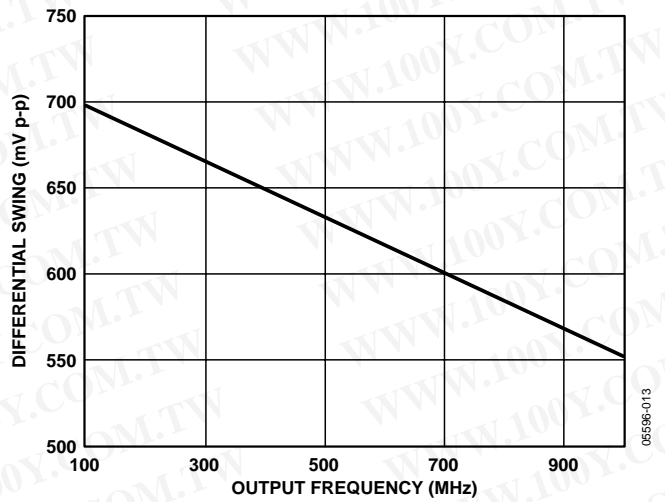


Figure 15. LVDS Differential Peak-to-Peak Output Swing vs. Frequency

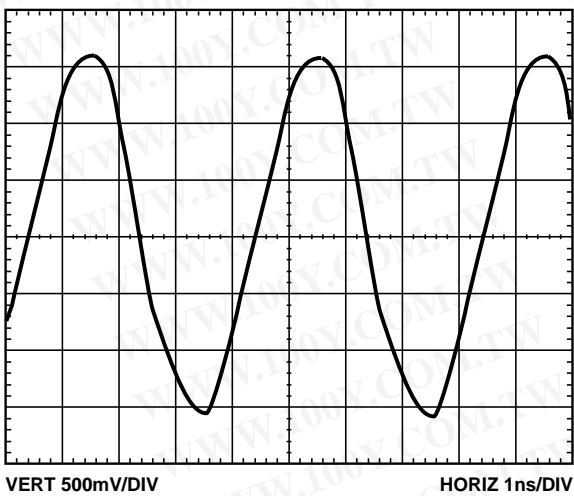


Figure 13. CMOS Single-Ended Output @ 250 MHz with 10 pF Load

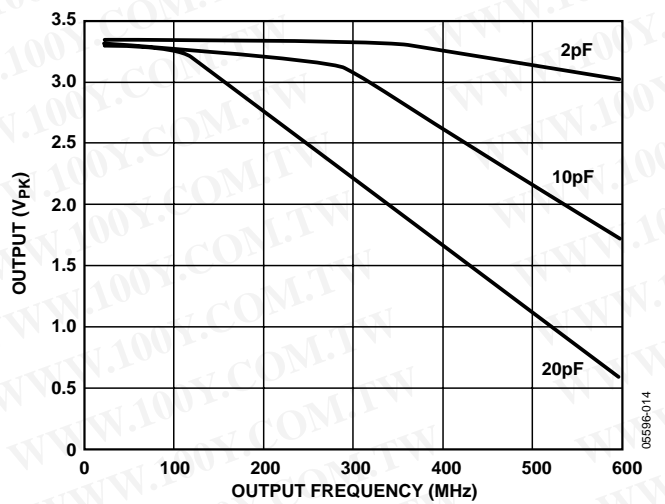


Figure 16. CMOS Single-Ended Output Swing vs. Frequency and Load

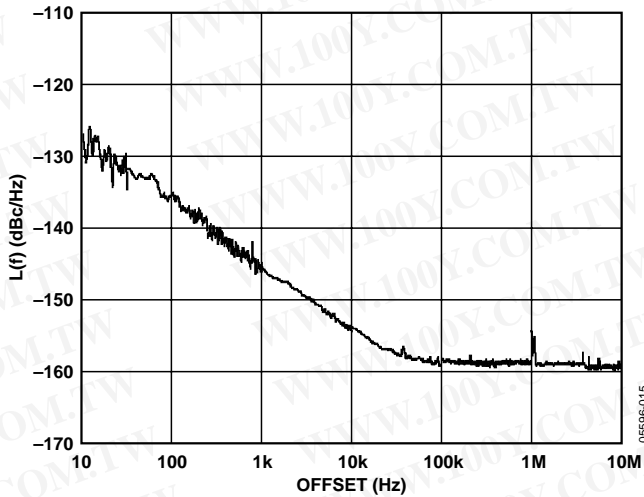


Figure 17. Additive Phase Noise—LVPECL Divide = 1, 245.76 MHz

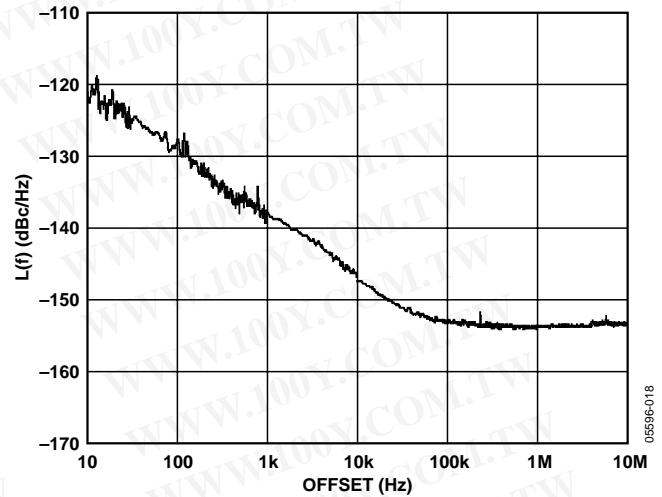


Figure 20. Additive Phase Noise—LVPECL Divide = 1, 622.08 MHz

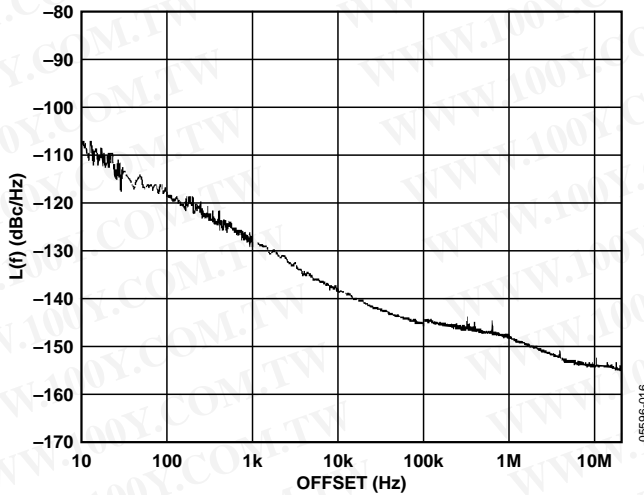


Figure 18. Additive Phase Noise—LVDS Divide = 1, 245.76 MHz

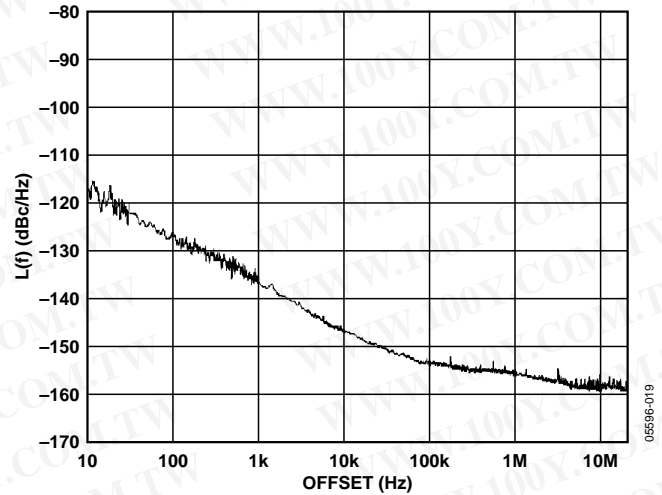


Figure 21. Additive Phase Noise—LVDS Divide = 2, 122.88 MHz

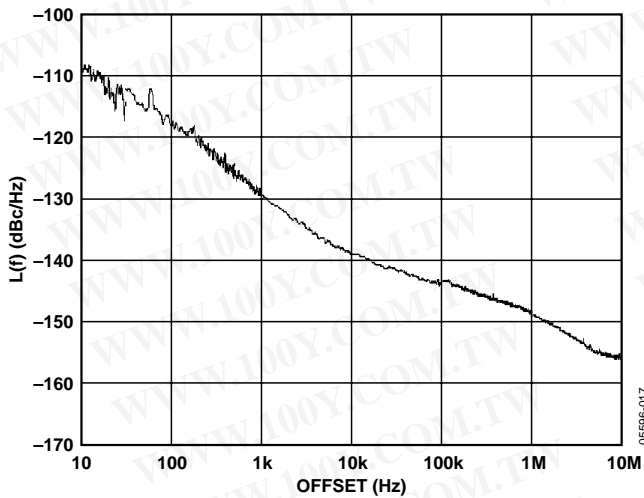


Figure 19. Additive Phase Noise—CMOS Divide = 1, 245.76 MHz

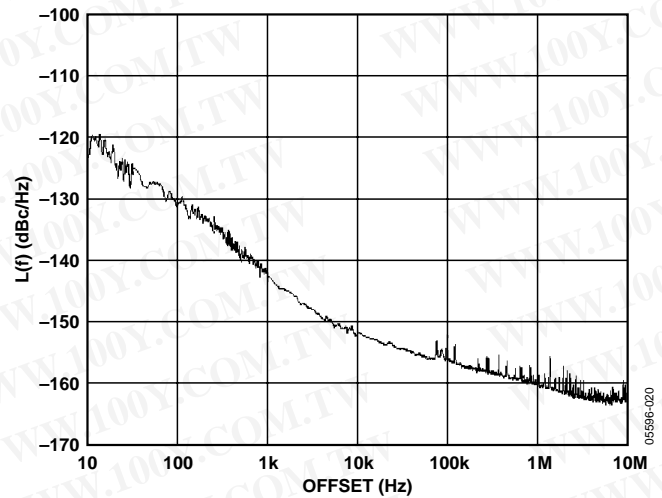


Figure 22. Additive Phase Noise—CMOS Divide = 4, 61.44 MHz

FUNCTIONAL DESCRIPTION

OVERALL

The AD9514 provides for the distribution of its input clock on up to three outputs simultaneously. OUT0 and OUT1 are LVPECL levels. OUT2 can be set to either LVDS or CMOS levels. Each output has its own divider that can be set for a divide ratio selected from a list of integer values from 1 (bypassed) to 32.

OUT2 includes an analog delay block that can be set to add an additional delay of 1.5 ns, 5 ns, or 10 ns full scale, each with 16 levels of fine adjustment.

CLK, CLKB—DIFFERENTIAL CLOCK INPUT

The CLK and CLKB pins are differential clock input pins. This input works up to 1600 MHz. The jitter performance is degraded by a slew rate below 1 V/ns. The input level should be between approximately 150 mV p-p to no more than 2 V p-p. Anything greater can result in turning on the protection diodes on the input pins.

See Figure 23 for the CLK equivalent input circuit. This input is fully differential and self-biased. The signal should be ac-coupled using capacitors. If a single-ended input must be used, this can be accommodated by ac coupling to one side of the differential input only. The other side of the input should be bypassed to a quiet ac ground by a capacitor.

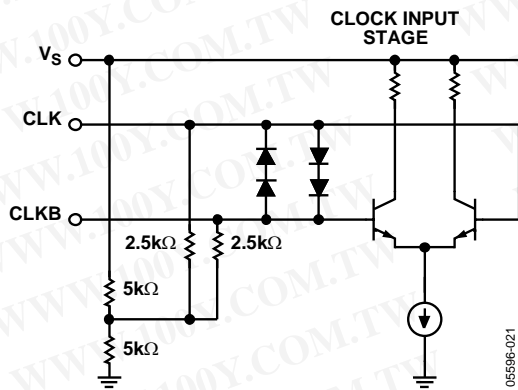


Figure 23 Clock Input Equivalent Circuit

SYNCHRONIZATION

Power-On SYNC

A power-on sync (POS) is issued when the V_S power supply is turned on to ensure that the outputs start in synchronization. The power-on sync works only if the V_S power supply transitions the region from 2.2 V to 3.1 V within 35 ms. The POS can occur up to 65 ms after V_S crosses 2.2 V. Only outputs which are not divide = 1 are synchronized.

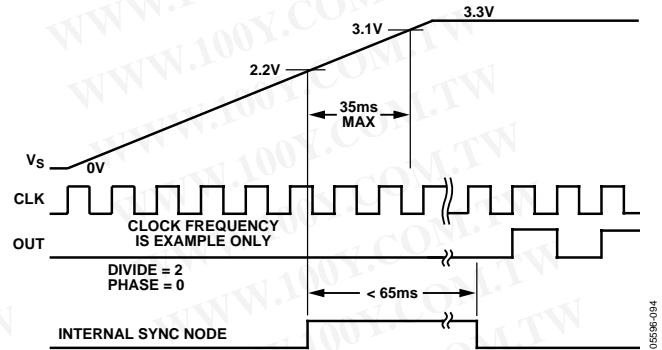


Figure 24. Power-On Sync Timing

SYNCB

If the setup configuration of the AD9514 is changed during operation, the outputs can become unsynchronized. The outputs can be re-synchronized to each other at any time. Synchronization occurs when the SYNCB pin is pulled low and released. The clock outputs (except where divide = 1) are forced into a fixed state (determined by the divide and phase settings) and held there in a static condition until the SYNCB pin is returned to high. Upon release of the SYNCB pin, after four cycles of the clock signal at CLK, all outputs continue clocking in synchronicity (except where divide = 1).

When divide = 1 for an output, that output is not affected by SYNCB.

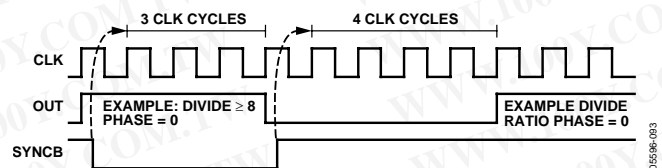


Figure 25. SYNCB Timing with Clock Present

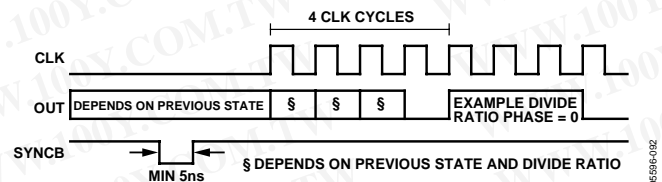


Figure 26. SYNCB Timing with No Clock Present

The outputs of the AD9514 can be synchronized by using the SYNCB pin. Synchronization aligns the phases of the clock outputs, respecting any phase offset that has been set on a particular output's divider.

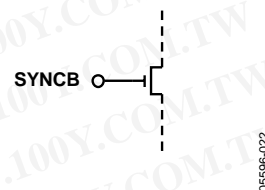


Figure 27. SYNCB Equivalent Input Circuit

Synchronization is initiated by pulling the SYNCB pin low for a minimum of 5 ns. The input clock does not have to be present at the time the command is issued. The synchronization occurs after four input clock cycles.

The synchronization applies to clock outputs:

- that are not turned OFF
- where the divider is not divide = 1 (divider bypassed)

An output with its divider set to divide = 1 (divider bypassed) is always synchronized with the input clock, with a propagation delay.

The SYNCB pin must be pulled up for normal operation. Do not let the SYNCB pin float.

R_{SET} RESISTOR

The internal bias currents of the AD9514 are set by the R_{SET} resistor. This resistor should be as close as possible to the value given as a condition in the Specifications section (R_{SET} = 4.12 kΩ). This is a standard 1% resistor value and should be readily obtainable. The bias currents set by this resistor determine the logic levels and operating conditions of the internal blocks of the AD9514. The performance figures given in the Specifications section assume that this resistor value is used for R_{SET}.

VREF

The VREF pin provides a voltage level of $\frac{2}{3} V_S$. This voltage is one of the four logic levels used by the setup pins (S0 to S10). These pins set the operation of the AD9514. The VREF pin provides sufficient drive capability to drive as many of the setup pins as necessary, up to all on a single part. The VREF pin should be used for no other purpose.

SETUP CONFIGURATION

The specific operation of the AD9514 is set by the logic levels applied to the setup pins (S0 to S10). These pins use four-state logic. The logic levels used are V_S and GND, plus $\frac{1}{3} V_S$ and $\frac{2}{3} V_S$. The $\frac{1}{3} V_S$ level is provided by the internal self-biasing on each of the setup pins (S0 to S10). This is the level seen by a setup pin that is left not connected (NC). The $\frac{2}{3} V_S$ level is provided by the VREF pin. All setup pins requiring the $\frac{2}{3} V_S$ level must be tied to the VREF pin.

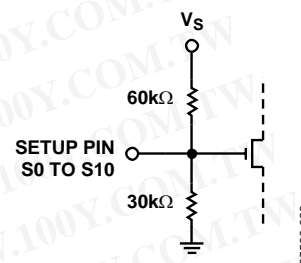


Figure 28. Setup Pin (S0 to S10) Equivalent Circuit

The AD9514 operation is determined by the combination of logic levels present at the setup pins. The setup configurations for the AD9514 are shown in Table 10 to Table 15. The four logic levels are referred to as 0, $\frac{1}{3}$, $\frac{2}{3}$, and 1. These numbers represent the fraction of the V_S voltage that defines the logic levels. See the setup pins thresholds in Table 6.

The meaning of some of the setup pins depends on the logic level set on other pins. For example, the effect of the S3 to S4 pair of pins depends on whether S0 = 0. If S0 = 0, the delay block for OUT2 is off, and the logic levels on S3 to S4 set the phase word of the OUT2 divider. However, if S0 ≠ 0, then the full-scale delay for OUT2 is set by the logic level on S0, and S3 to S4 sets the delay block fine adjust (fraction of full scale).

S1 and S2 together determine the logic level of each output or whether a channel is off. An output that is set to OFF is powered down, including the divider.

OUT0 and OUT1 are LVPECL. The LVPECL output differential voltage (V_{OD}) can have three possible levels: 410 mV, 790 mV, and 960 mV (limited to the available combinations, see Table 11). OUT2 can be set to either LVDS or CMOS levels.

S5 and S6 effect depends on S2. If S2 = 0 (OUT2 is off), S5 and S6 set the OUT1 phase word. If S2 ≠ 0, S5 and S6 set the OUT2 divide ratio. If S2 = $\frac{2}{3}$, then the value in S9 and S10 overrides the divide ratio for OUT2.

S7 and S8 depend on S2 and S0. If S2 ≠ 1, these pins set the OUT1 divide ratio. However, if S2 = 1 (OUT1 is off) and S0 ≠ 0, S7 and S8 set the phase word for OUT2.

S9 and S10 depend on S2. If S2 ≠ $\frac{2}{3}$, these pins set the OUT0 divide ratio. If S2 = $\frac{2}{3}$, they set the OUT2 divide ratio, overriding S5 and S6.

AD9514

Table 10. S0—OUT2 Delay

| S0 | Delay Full Scale |
|-----|------------------|
| 0 | Off (Bypassed) |
| 1/3 | 1.5 ns |
| 2/3 | 5 ns |
| 1 | 10 ns |

Table 11. S1, S2—Output Select

| S1 | S2 | OUT0 LVPECL | OUT1 LVPECL | OUT2 LVDS/CMOS |
|-----|-----|----------------|----------------|-------------------|
| 0 | 0 | OFF | 410 mV | OFF |
| 1/3 | 0 | 790 mV | 790 mV | OFF |
| 2/3 | 0 | 410 mV | 410 mV | OFF |
| 1 | 0 | 960 mV | 960 mV | OFF |
| 0 | 1/3 | 790 mV | 790 mV | CMOS |
| 1/3 | 1/3 | 410 mV | 410 mV | LVDS |
| 2/3 | 1/3 | 410 mV | 410 mV | CMOS |
| 1 | 1/3 | 790 mV | 790 mV | LVDS |
| 0 | 2/3 | OFF | OFF | OFF |
| 1/3 | 2/3 | OFF | OFF | LVDS |
| 2/3 | 2/3 | OFF | OFF | CMOS |
| 1 | 2/3 | OFF | 790 mV | OFF |
| 0 | 1 | 410 mV | OFF | CMOS |
| 1/3 | 1 | 790 mV | OFF | LVDS |
| 2/3 | 1 | 410 mV | OFF | LVDS |
| 1 | 1 | 790 mV | OFF | CMOS |

Table 12. S3, S4—OUT2 Delay Fine Adjust or Phase

| S3 | S4 | S0 ≠ 0 | S0 = 0 |
|-----|-----|--|------------|
| | | OUT2 Delay Fine Adjust (Fraction of FS) | OUT2 Phase |
| 0 | 0 | 0 | 0 |
| 1/3 | 0 | 1/16 | 1 |
| 2/3 | 0 | 1/8 | 2 |
| 1 | 0 | 3/16 | 3 |
| 0 | 1/3 | 1/4 | 4 |
| 1/3 | 1/3 | 5/16 | 5 |
| 2/3 | 1/3 | 3/8 | 6 |
| 1 | 1/3 | 7/16 | 7 |
| 0 | 2/3 | 1/2 | 8 |
| 1/3 | 2/3 | 9/16 | 9 |
| 2/3 | 2/3 | 5/8 | 10 |
| 1 | 2/3 | 11/16 | 11 |
| 0 | 1 | 3/4 | 12 |
| 1/3 | 1 | 13/16 | 13 |
| 2/3 | 1 | 7/8 | 14 |
| 1 | 1 | 15/16 | 15 |

Table 13. S5, S6—OUT2 Divide or OUT1 Phase

| S5 | S6 | S2 ≠ 0 | S2 = 0 |
|-----|-----|--|------------|
| | | OUT2 Divide (Duty Cycle ¹) | OUT1 Phase |
| 0 | 0 | 1 | 0 |
| 1/3 | 0 | 2 (50%) | 1 |
| 2/3 | 0 | 3 (33%) | 2 |
| 1 | 0 | 4 (50%) | 3 |
| 0 | 1/3 | 5 (40%) | 4 |
| 1/3 | 1/3 | 6 (50%) | 5 |
| 2/3 | 1/3 | 8 (50%) | 6 |
| 1 | 1/3 | 9 (44%) | 7 |
| 0 | 2/3 | 10 (50%) | 8 |
| 1/3 | 2/3 | 12 (50%) | 9 |
| 2/3 | 2/3 | 15 (47%) | 10 |
| 1 | 2/3 | 16 (50%) | 11 |
| 0 | 1 | 18 (50%) | 12 |
| 1/3 | 1 | 24 (50%) | 13 |
| 2/3 | 1 | 30 (50%) | 14 |
| 1 | 1 | 32 (50%) | 15 |

¹ Duty cycle is the clock signal high time divided by the total period.

Table 15. S9, S10—OUT0 Divide or OUT2 Divide

| S9 | S10 | S2 ≠ 2/3 | S2 = 2/3 |
|-----|-----|--|--|
| | | OUT0 Divide (Duty Cycle ¹) | OUT2 Divide (Duty Cycle ¹) |
| 0 | 0 | 1 | 7 (43%) |
| 1/3 | 0 | 2 (50%) | 11 (45%) |
| 2/3 | 0 | 3 (33%) | 13 (46%) |
| 1 | 0 | 4 (50%) | 14 (50%) |
| 0 | 1/3 | 5 (40%) | 17 (47%) |
| 1/3 | 1/3 | 6 (50%) | 19 (47%) |
| 2/3 | 1/3 | 8 (50%) | 20 (50%) |
| 1 | 1/3 | 9 (44%) | 21 (48%) |
| 0 | 2/3 | 10 (50%) | 22 (50%) |
| 1/3 | 2/3 | 12 (50%) | 23 (48%) |
| 2/3 | 2/3 | 15 (47%) | 25 (48%) |
| 1 | 2/3 | 16 (50%) | 26 (50%) |
| 0 | 1 | 18 (50%) | 27 (48%) |
| 1/3 | 1 | 24 (50%) | 28 (50%) |
| 2/3 | 1 | 30 (50%) | 29 (48%) |
| 1 | 1 | 32 (50%) | 31 (48%) |

¹ Duty cycle is the clock signal high time divided by the total period.

Table 14. S7, S8—OUT1 Divide or OUT2 Phase

| S7 | S8 | S2 ≠ 1 | S2 = 1 and S0 ≠ 0 |
|-----|-----|--|-------------------|
| | | OUT1 Divide (Duty Cycle ¹) | OUT2 Phase |
| 0 | 0 | 1 | 0 |
| 1/3 | 0 | 2 (50%) | 1 |
| 2/3 | 0 | 3 (33%) | 2 |
| 1 | 0 | 4 (50%) | 3 |
| 0 | 1/3 | 5 (40%) | 4 |
| 1/3 | 1/3 | 6 (50%) | 5 |
| 2/3 | 1/3 | 8 (50%) | 6 |
| 1 | 1/3 | 9 (44%) | 7 |
| 0 | 2/3 | 10 (50%) | 8 |
| 1/3 | 2/3 | 12 (50%) | 9 |
| 2/3 | 2/3 | 15 (47%) | 10 |
| 1 | 2/3 | 16 (50%) | 11 |
| 0 | 1 | 18 (50%) | 12 |
| 1/3 | 1 | 24 (50%) | 13 |
| 2/3 | 1 | 30 (50%) | 14 |
| 1 | 1 | 32 (50%) | 15 |

¹ Duty cycle is the clock signal high time divided by the total period.

DIVIDER PHASE OFFSET

The phase of OUT1 or OUT2 can be selected, depending on the divide ratio and output configuration chosen. This allows, for example, the relative phase of OUT0 and OUT1 to be set.

After a SYNC operation (see the Synchronization section), the phase offset word of each divider determines the number of input clock (CLK) cycles to wait before initiating a clock output edge. By giving each divider a different phase offset, output-to-output delays can be set in increments of the fast clock period, t_{CLK} .

Figure 29 shows four cases, each with the divider set to divide = 4. By incrementing the phase offset from 0 to 3, the output is offset from the initial edge by a multiple of t_{CLK} .

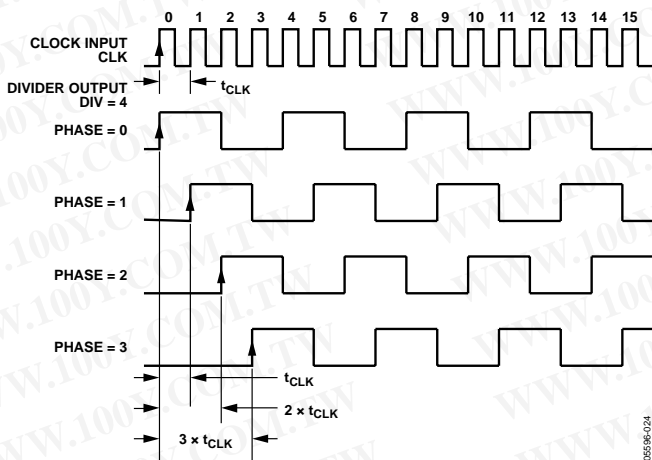


Figure 29. Phase Offset—Divider Set for Divide = 4, Phase Set from 0 to 2

For example:

$$CLK = 491.52 \text{ MHz}$$

$$t_{CLK} = 1/491.52 = 2.0345 \text{ ns}$$

For Divide = 4:

$$\text{Phase Offset } 0 = 0 \text{ ns}$$

$$\text{Phase Offset } 1 = 2.0345 \text{ ns}$$

$$\text{Phase Offset } 2 = 4.069 \text{ ns}$$

$$\text{Phase Offset } 3 = 6.104 \text{ ns}$$

The outputs can also be described as:

$$\text{Phase Offset } 0 = 0^\circ$$

$$\text{Phase Offset } 1 = 90^\circ$$

$$\text{Phase Offset } 2 = 180^\circ$$

$$\text{Phase Offset } 3 = 270^\circ$$

Setting the phase offset to Phase = 4 results in the same relative phase as Phase = 0° or 360°.

The resolution of the phase offset is set by the fast clock period (t_{CLK}) at CLK. The maximum unique phase offset is less than the divide ratio, up to a phase offset of 15.

Phase offsets can be related to degrees by calculating the phase step for a particular divide ratio:

$$\text{Phase Step} = 360^\circ / \text{Divide Ratio}$$

Using some of the same examples:

$$\text{Divide} = 4$$

$$\text{Phase Step} = 360^\circ / 4 = 90^\circ$$

$$\text{Unique Phase Offsets in Degrees Are Phase} = 0^\circ, 90^\circ, 180^\circ, 270^\circ$$

$$\text{Divide} = 9$$

$$\text{Phase Step} = 360^\circ / 9 = 40^\circ$$

$$\text{Unique Phase Offsets in Degrees Are Phase} = 0^\circ, 40^\circ, 80^\circ, 120^\circ, 160^\circ, 200^\circ, 240^\circ, 280^\circ, 320^\circ$$

DELAY BLOCK

OUT2 includes an analog delay element that gives variable time delays (ΔT) in the clock signal passing through that output.

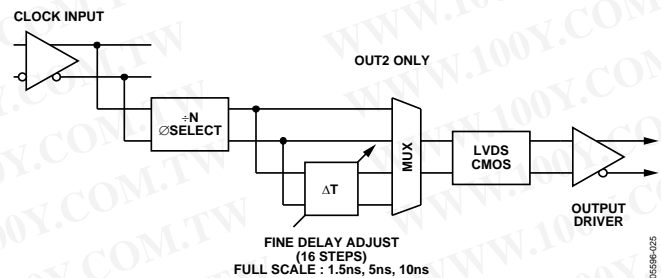


Figure 30. Analog Delay Block

The amount of delay that can be used is determined by the output frequency. The amount of delay is limited to less than one-half cycle of the clock period. For example, for a 10 MHz clock, the delay can extend to the full 10 ns maximum. However, for a 100 MHz clock, the maximum delay is less than 5 ns (or half of the period).

The AD9514 allows for the selection of three full-scale delays, 1.5 ns, 5 ns, and 10 ns, set by delay full scale (see Table 10). Each of these full-scale delays can be scaled by 16 fine adjustment values, which are set by the delay word (see Table 12).

The delay block adds some jitter to the output. This means that the delay function should be used primarily for clocking digital chips, such as FPGA, ASIC, DUC, and DDC, rather than for supplying a sample clock for data converters. The jitter is higher for longer full scales because the delay block uses a ramp and trip points to create the variable delay. A longer ramp means more noise has a chance of being introduced.

AD9514

Exposed Metal Paddle

The exposed metal paddle on the AD9514 package is an electrical connection, as well as a thermal enhancement. For the device to function properly, the paddle must be properly attached to ground (GND).

The exposed paddle of the AD9514 package must be soldered down. The AD9514 must dissipate heat through its exposed paddle. The PCB acts as a heat sink for the AD9514. The PCB attachment must provide a good thermal path to a larger heat dissipation area, such as a ground plane on the PCB. This requires a grid of vias from the top layer down to the ground plane (see Figure 34). The AD9514 evaluation board (AD9514/PCB) provides a good example of how the part should be attached to the PCB.

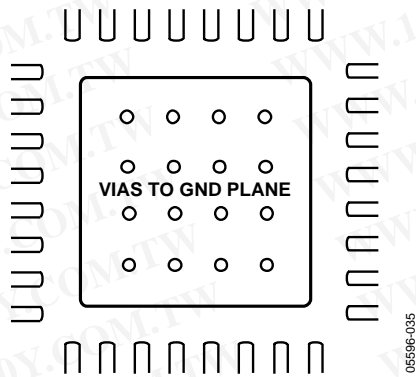


Figure 34. PCB Land for Attaching Exposed Paddle

POWER MANAGEMENT

In some cases the AD9514 can be configured to use less power by turning off functions that are not being used.

The power-saving options include the following:

- Any divider is powered down when set to divide = 1 (bypassed).
- Adjustable delay block on OUT2 is powered down when in off mode (S0 = 0).
- In some cases, an unneeded output can be powered down (see Table 11). This also powers down the divider for that output.

APPLICATIONS

USING THE AD9514 OUTPUTS FOR ADC CLOCK APPLICATIONS

Any high speed, analog-to-digital converter (ADC) is extremely sensitive to the quality of the sampling clock provided by the user. An ADC can be thought of as a sampling mixer, and any noise, distortion, or timing jitter on the clock is combined with the desired signal at the A/D output. Clock integrity requirements scale with the analog input frequency and resolution, with higher analog input frequency applications at ≥ 14 -bit resolution being the most stringent. The theoretical SNR of an ADC is limited by the ADC resolution and the jitter on the sampling clock. Considering an ideal ADC of infinite resolution where the step size and quantization error can be ignored, the available SNR can be expressed approximately by

$$SNR = 20 \times \log \left[\frac{1}{2\pi f_A T_J} \right]$$

where f_A is the highest analog frequency being digitized.

T_J is the rms jitter on the sampling clock.

Figure 35 shows the required sampling clock jitter as a function of the analog frequency and effective number of bits (ENOB).

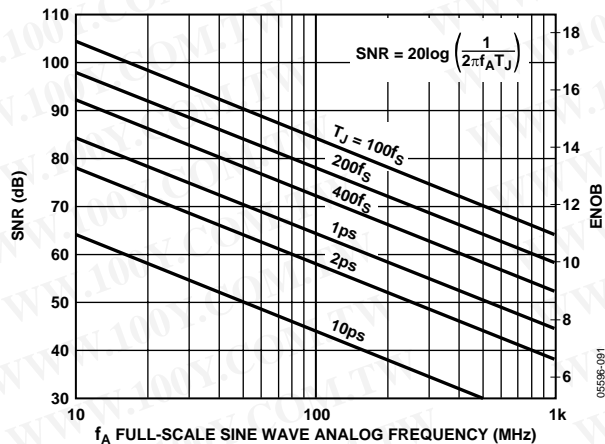


Figure 35. ENOB and SNR vs. Analog Input Frequency

See Application Notes AN-756 and AN-501 at www.analog.com.

Many high performance ADCs feature differential clock inputs to simplify the task of providing the required low jitter clock on a noisy PCB. (Distributing a single-ended clock on a noisy PCB can result in coupled noise on the sample clock. Differential distribution has inherent common-mode rejection that can provide superior clock performance in a noisy environment.) The AD9514 features both LVPECL and LVDS outputs that provide differential clock outputs, which enable clock solutions that maximize converter SNR performance. The input requirements of the ADC (differential or single-ended, logic level, termination) should be considered when selecting the best clocking/converter solution.

LVPECL CLOCK DISTRIBUTION

The low voltage, positive emitter-coupled, logic (LVPECL) outputs of the AD9514 provide the lowest jitter clock signals available from the AD9514. The LVPECL outputs (because they are open emitter) require a dc termination to bias the output transistors. The simplified equivalent circuit in Figure 31 shows the LVPECL output stage.

In most applications, a standard LVPECL far-end termination is recommended, as shown in Figure 36. The resistor network is designed to match the transmission line impedance (50Ω) and the switching threshold ($V_S - 1.3 V$).

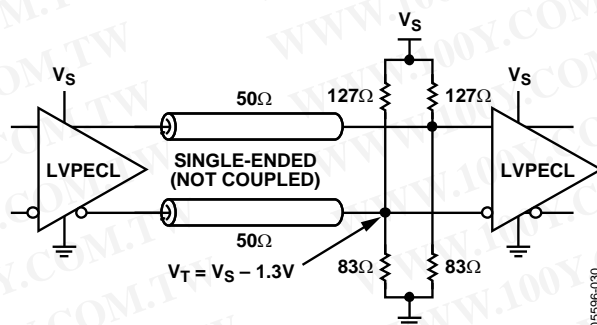


Figure 36. LVPECL Far-End Termination

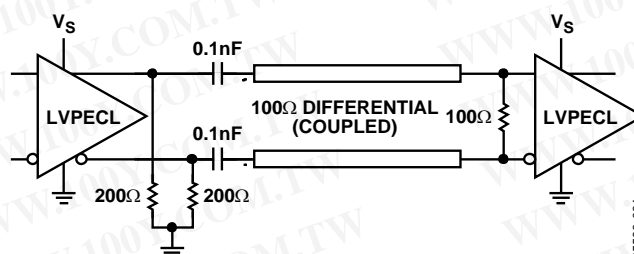


Figure 37. LVPECL with Parallel Transmission Line

LVDS CLOCK DISTRIBUTION

The AD9514 provides one clock output (OUT2) that is selectable as either CMOS or LVDS levels. Low voltage differential signaling (LVDS) is a differential output option for OUT2. LVDS uses a current mode output stage. The current is 3.5 mA, which yields 350 mV output swing across a 100 Ω resistor. The LVDS output meets or exceeds all ANSI/TIA/EIA-644 specifications.

A recommended termination circuit for the LVDS outputs is shown in Figure 38.

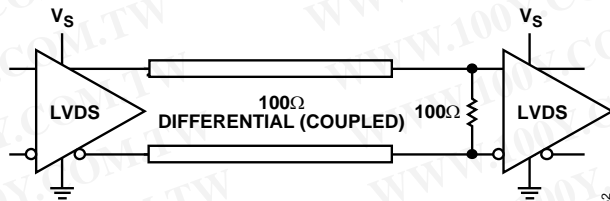


Figure 38. LVDS Output Termination

See Application Note AN-586 at www.analog.com for more information on LVDS.

CMOS CLOCK DISTRIBUTION

The AD9514 provides one output (OUT2) that is selectable as either CMOS or LVDS levels. When selected as CMOS, this output provides for driving devices requiring CMOS level logic at their clock inputs.

Whenever single-ended CMOS clocking is used, some of the following general guidelines should be used.

Point-to-point nets should be designed such that a driver has only one receiver on the net, if possible. This allows for simple termination schemes and minimizes ringing due to possible mismatched impedances on the net. Series termination at the source is generally required to provide transmission line matching and/or to reduce current transients at the driver. The value of the resistor is dependent on the board design and timing requirements (typically 10 Ω to 100 Ω is used). CMOS outputs are also limited in terms of the capacitive load or trace length that they can drive. Typically, trace lengths less than 3 inches are recommended to preserve signal rise/fall times and preserve signal integrity.

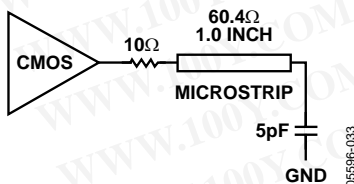


Figure 39. Series Termination of CMOS Output

Termination at the far end of the PCB trace is a second option. The CMOS outputs of the AD9514 do not supply enough current to provide a full voltage swing with a low impedance resistive, far-end termination, as shown in Figure 40. The far-end termination network should match the PCB trace impedance and provide the desired switching point. The reduced signal swing may still meet receiver input requirements in some applications. This can be useful when driving long trace lengths on less critical nets.

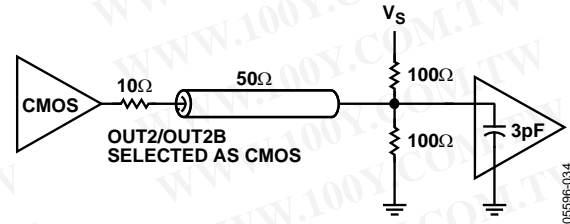


Figure 40. CMOS Output with Far-End Termination

Because of the limitations of single-ended CMOS clocking, consider using differential outputs when driving high speed signals over long traces. The AD9514 offers both LVPECL and LVDS outputs that are better suited for driving long traces where the inherent noise immunity of differential signaling provides superior performance for clocking converters.

SETUP PINS (S0 TO S10)

The setup pins that require a logic level of $\frac{1}{2} V_s$ (internal self-bias) should be tied together and bypassed to ground via a capacitor.

The setup pins that require a logic level of $\frac{2}{3} V_s$ should be tied together, along with the VREF pin, and bypassed to ground via a capacitor.

POWER AND GROUNDING CONSIDERATIONS AND POWER SUPPLY REJECTION

Many applications seek high speed and performance under less than ideal operating conditions. In these application circuits, the implementation and construction of the PCB is as important as the circuit design. Proper RF techniques must be used for device selection, placement, and routing, as well as power supply bypassing and grounding to ensure optimum performance.

PHASE NOISE AND JITTER MEASUREMENT SETUPS

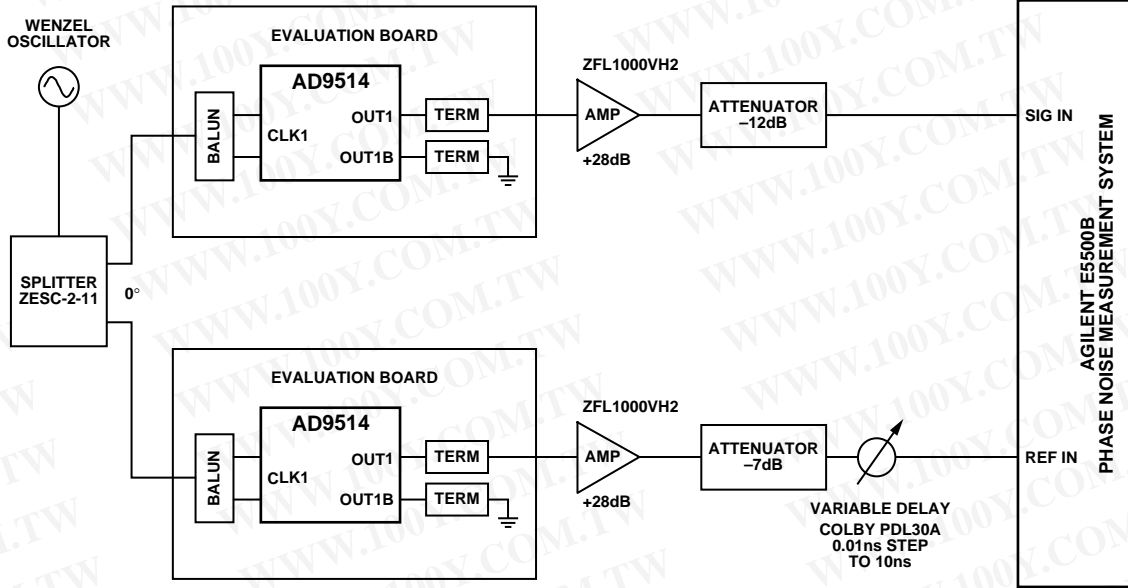


Figure 41. Additive Phase Noise Measurement Configuration

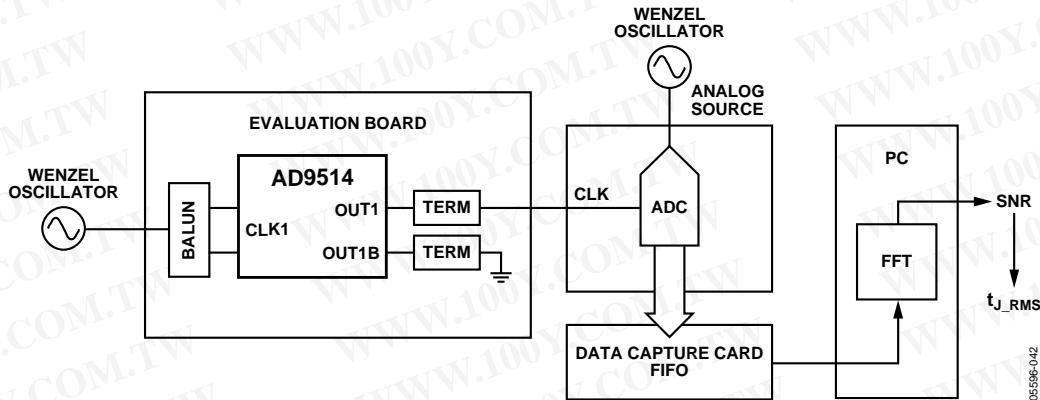


Figure 42. Jitter Determination by Measuring SNR of ADC

$$t_{J_RMS} = \sqrt{\frac{\left[\frac{V_{A_RMS}}{SNR} \right]^2 - \left(SND \times \sqrt{BW} \right)^2 - \left(\theta_{QUANTIZATION}^2 + \theta_{THERMAL}^2 + \theta_{DNL}^2 \right)}{\left[2\pi \times f_A \times V_{A_PK} \right]^2}}$$

where:

t_{J_RMS} is the rms time jitter.

SNR is the signal-to-noise ratio.

SND is the source noise density in nV/√Hz.

BW is the SND filter bandwidth.

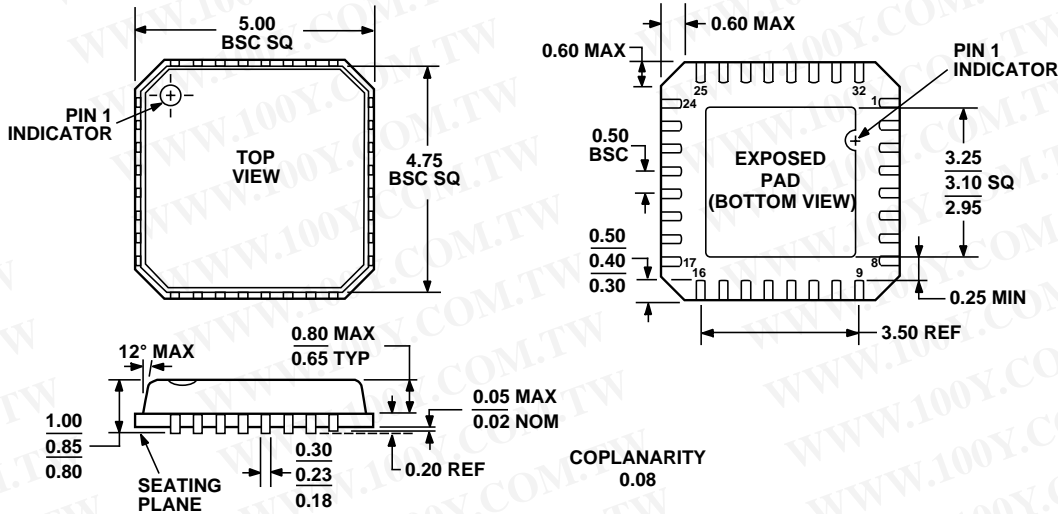
V_A is the analog source voltage.

f_A is the analog frequency.

The θ terms are the quantization, thermal, and DNL errors.

AD9514

OUTLINE DIMENSIONS



COMPLIANT TO JEDEC STANDARDS MO-220-VHHD-2
 Figure 43. 32-Lead Lead Frame Chip Scale Package [LFCSP_VQ]
 5 mm × 5 mm Body, Very Thin Quad (CP-32-2)
 Dimensions shown in millimeters

ORDERING GUIDE

| Model | Temperature Range | Package Description | Package Option |
|-------------------------------|-------------------|--|----------------|
| AD9514BCPZ ¹ | -40°C to +85°C | 32-Lead Lead Frame Chip Scale Package (LFCSP_VQ) | CP-32-2 |
| AD9514BCPZ-REEL7 ¹ | -40°C to +85°C | 32-Lead Lead Frame Chip Scale Package (LFCSP_VQ) | CP-32-2 |
| AD9514/PCB | | Evaluation Board | |

¹ Z = Pb-free part.

勝特力材料 886-3-5753170
 勝特力电子(上海) 86-21-34970699
 勝特力电子(深圳) 86-755-83298787
[Http://www.100y.com.tw](http://www.100y.com.tw)