

UTC M3366

LINEAR INTEGRATED CIRCUIT

3-INPUT VIDEO SWITCH WITH 75Ω DRIVER

DESCRIPTION

The UTC M3366 is a three input integrated video switch selects one video or audio signal from three input signals.

It contains driver circuit for 75 Ω load and is able to connect to TV monitor.

Its operating supply voltage range is 5 to 12V and bandwidth is 10MHz. Crosstalk is 70dB (at 4.43MHz).

The UTC M3366 contains clamp function and it can be operated while setting DC level fixed in position of the video signal.

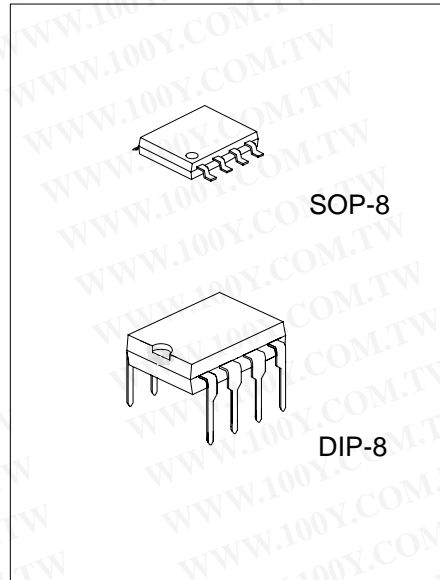
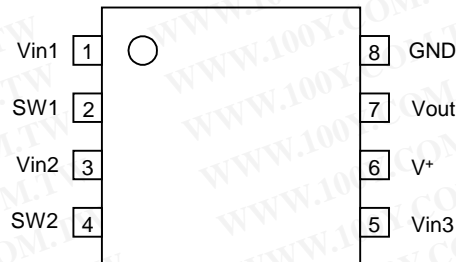
FEATURES

- *Operating Voltage 4.75 to 13V
- *3 Input- 1 Output
- *Internal Driver Circuit for 75 Ω Impedance
- *Muting Function available
- *Internal Clamp Function
- *Low power Dissipation 16.5mA
- *Cross-talk 70dB (at 4.43MHz)
- *Wide Frequency Range 10MHz (2Vp-p Input)

APPLICATION

*VCR, Video Camera, AV ,TV, Video Disc Player

PIN CONFIGURATION



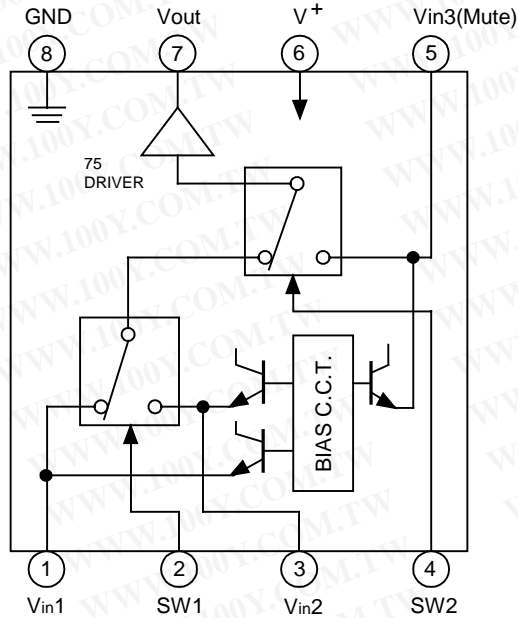
*Pb-free plating product number: M3366L

勝特力材料 886-3-5753170
勝特力电子(上海) 86-21-54151736
勝特力电子(深圳) 86-755-83298787
[Http://www.100y.com.tw](http://www.100y.com.tw)

UTC M3366

LINEAR INTEGRATED CIRCUIT

BLOCK DIAGRAM



INPUT CONTROL SIGNAL-OUTPUT SIGNAL

SW1	SW2	OUTPUT SIGNAL
L	L	Vin 1
H	L	Vin 2
L/H	H	Vin 3

Note: Input clamp voltage is about 2/5 of supply voltage

ABSOLUTE MAXIMUM RATINGS (Ta=25 °C)

PARAMETER	SYMBOL	RATINGS	UNIT
Supply Voltage	V+	15	V
Power Dissipation	Pd	500	mW
		300	
Operating Temperature Range	Topr	-20 ~ +75	°C
Storage Temperature Range	Tstg	-40 ~ +125	°C

UTC

UNISONIC TECHNOLOGIES CO., LTD.

2

QW-R124-002,A

勝特力材料 886-3-5753170
 勝特力电子(上海) 86-21-54151736
 勝特力电子(深圳) 86-755-83298787
[Http://www.100y.com.tw](http://www.100y.com.tw)

UTC M3366 LINEAR INTEGRATED CIRCUIT

ELECTRICAL CHARACTERISTICS ($V^+=5V, T_a=25^\circ C$)

PARAMETER	SYMBOL	TEST CONDITION	MIN	TYP	MAX	UNIT
Recommended Supply Voltage	V^+		4.75		13.0	V
Operating Current	I_{CC}	S1=S2=S3=S4=S5=2	11.5	16.5	22.0	mA
Voltage Gain	G_v	$V_{in}=2.0V_{p-p}$, 100kHz, V_o/V_i , $R_L=150$	-0.8	-0.3	+0.2	dB
Frequency Characteristic	G_f	$V_{in}=2.0V_{p-p}$, $V_o(10MHz)/V_o(100kHz)$, $R_L=150$	-1.0		+1.0	dB
Differential Gain	DG	$V_{in}=2.0V_{p-p}$, staircase, $R_L=150$		0.3		%
Differential Phase	DP	$V_{in}=2.0V_{p-p}$, staircase, $R_L=150$		0.3		deg.
Output Offset Voltage	V_{off}	S1=S2=S3=2, S5=1 2 V_o :voltage change		0	± 30	mV
Crosstalk	CT	$V_{in}=2.0V_{p-p}$, 4.43MHz, V_o/V_i		-70		dB
Switch Change Voltage	V_{CH}	All inside SW: ON	2.4			V
	V_{CL}	All inside SW: OFF			0.8	

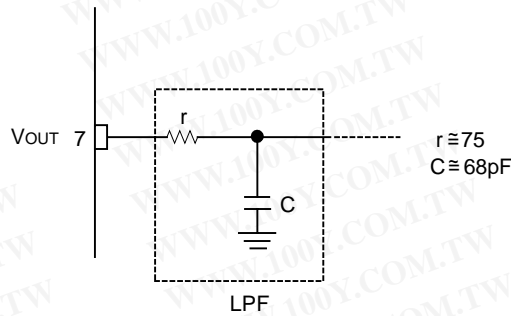
Note: Unless specified, tested with three mode below.

(a) S1=1, S2=S3=S4=S5=2 (b) S2=S4=1, S1=S3=S5=2 (c) S1=S2=2, S3=S5=1, S4=1 or 2

APPLICATION

Oscillation Prevention on light loading conditions Recommended under circuit

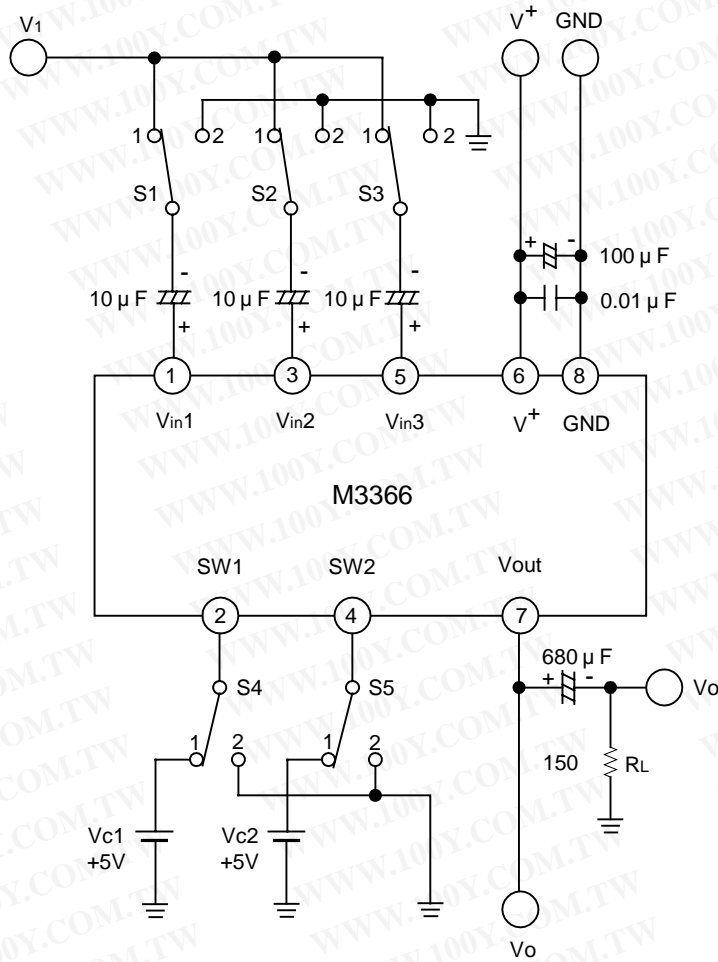
This IC requires 1M Ω resistance between INPUT and GND pin for clamp type input since the minute current causes an unstable pin voltage.



勝特力材料 886-3-5753170
 勝特力电子(上海) 86-21-54151736
 勝特力电子(深圳) 86-755-83298787
[Http://www.100y.com.tw](http://www.100y.com.tw)

UTC M3366 LINEAR INTEGRATED CIRCUIT

TEST CIRCUIT



DC Voltage Each Terminal (Typ.on Test Circuit Ta=25)

Terminal Name	VIN1	SW1	VIN2	SW2	VIN3	V ⁺	VOUT	GND
DC Voltage	$\frac{2}{5}V^+$	—	$\frac{2}{5}V^+$	—	$\frac{2}{5}V^+$	—	$\frac{2}{5}V^+-0.7$	—

UTC M3366

LINEAR INTEGRATED CIRCUIT

EQUIVALENT CIRCUIT

PIN NO.	FUNCTION	INSIDE EQUIVALENT CIRCUIT	PIN NO.	FUNCTION	INSIDE EQUIVALENT CIRCUIT
1	V _{IN1}		5	V _{IN3} (Mute)	
2	SW1		6	V ⁺	_____
3	V _{IN2}		7	V _{OUT}	
4	SW2		8	GND	_____

UTC

UNISONIC TECHNOLOGIES CO., LTD.

5

QW-R124-002,A

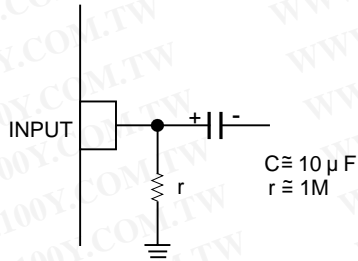
勝特力材料 886-3-5753170
 勝特力电子(上海) 86-21-54151736
 勝特力电子(深圳) 86-755-83298787
[Http://www.100y.com.tw](http://www.100y.com.tw)

UTC M3366

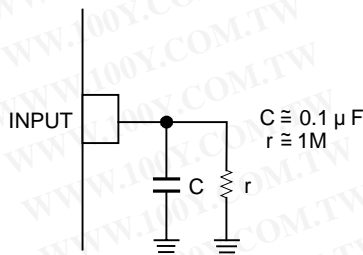
LINEAR INTEGRATED CIRCUIT

APPLICATION

This IC requires 1M resistance between INPUT and GND pin for clamp type input since the minute current causes an unstable pin voltage.



This IC requires 0.1 μ F capacitor between INPUT and GND ,1M resistance between INPUT and GND for clamp type input at mute mode.



勝特力材料 886-3-5753170
勝特力电子(上海) 86-21-54151736
勝特力电子(深圳) 86-755-83298787
[Http://www.100y.com.tw](http://www.100y.com.tw)

UTC assumes no responsibility for equipment failures that result from using products at values that exceed, even momentarily, rated values (such as maximum ratings, operating condition ranges, or other parameters) listed in products specifications of any and all UTC products described or contained herein. UTC products are not designed for use in life support appliances, devices or systems where malfunction of these products can be reasonably expected to result in personal injury. Reproduction in whole or in part is prohibited without the prior written consent of the copyright owner. The information presented in this document does not form part of any quotation or contract, is believed to be accurate and reliable and may be changed without notice.