



Micro Commercial Components

Micro Commercial Components
 20736 Marilla Street Chatsworth
 CA 91311
 Phone: (818) 701-4933
 Fax: (818) 701-4939

BC856A THRU BC858C

PNP Small Signal Transistor 310mW

Features

- Case Material: Molded Plastic. UL Flammability Classification Rating 94V-0 and MSL Rating 1
- Ideally Suited for Automatic Insertion
- 150°C Junction Temperature
- For Switching and AF Amplifier Applications

Mechanical Data

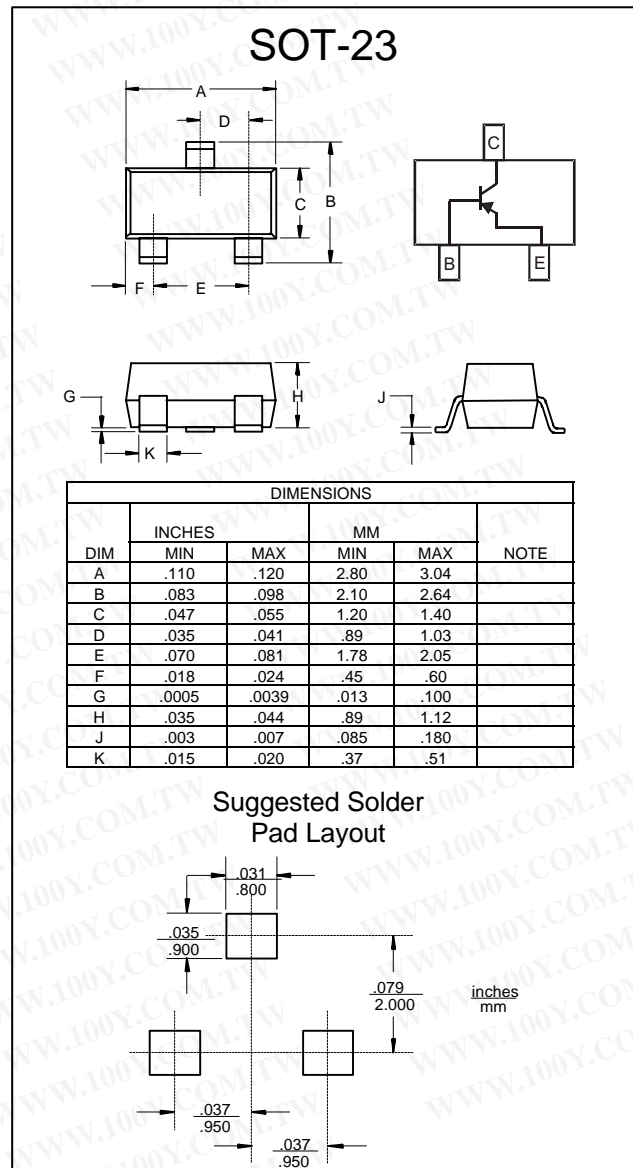
- Case: SOT-23, Molded Plastic
- Terminals: Solderable per MIL-STD-202, Method 208
- Polarity: See Diagram
- Weight: 0.008 grams (approx.)

Marking Code (Note 2)			
Type	Marking	Type	Marking
BC856A	3A	BC857C	3G
BC856B	3B	BC858A	3J
BC857A	3E	BC858B	3K
BC857B	3F	BC858C	3L

Maximum Ratings @ 25°C Unless Otherwise Specified

Characteristic	Symbol	Value	Unit
Collector-Base Voltage	BC856	-80	V
	BC857	-50	
	BC858	-30	
Collector-Emitter Voltage	BC856	-65	V
	BC857	-45	
	BC858	-30	
Emitter-Base Voltage	V_{EBO}	-5.0	V
Collector Current	I_C	-100	mA
Peak Collector Current	I_{CM}	-200	mA
Peak Emitter Current	I_{EM}	-200	mA
Power Dissipation @ $T_s=50^\circ\text{C}$ (Note1)	P_d	310	mW
Operating & Storage Temperature	T_j, T_{STG}	-55~150	°C

- Note:**
1. Package mounted on ceramic substrate 0.7mm X 2.5cm² area.
 2. Current gain subgroup " C " is not available for BC856



BC856A thru BC858C

Electrical Characteristics @ T_A = 25°C unless otherwise specified

Characteristic	Symbol	Min	Typ	Max	Unit	Test Condition
Collector-Base Breakdown Voltage (Note 3)	BC856 BC857 BC858 V _{(BR)CBO}	-80 -50 -30	— — —	— — —	V	I _C = 10μA, I _B = 0
Collector-Emitter Breakdown Voltage (Note 3)	BC856 BC857 BC858 V _{(BR)CEO}	-65 -45 -30	— — —	— — —	V	I _C = 10mA, I _B = 0
Emitter-Base Breakdown Voltage (Note 3)	V _{(BR)EBO}	-5	—	—	V	I _E = 1μA, I _C = 0
H-Parameters						
Small Signal Current Gain	Current Gain Group A B C	h _{fe} h _{fe} h _{fe}	— — —	200 330 600	— — —	
Input Impedance	Current Gain Group A B C	h _{ie} h _{ie} h _{ie}	— — —	2.7 4.5 8.7	kΩ kΩ kΩ	V _{CE} = -5.0V, I _C = -2.0mA, f = 1.0kHz
Output Admittance	Current Gain Group A B C	h _{oe} h _{oe} h _{oe}	— — —	18 30 60	μS μS μS	
Reverse Voltage Transfer Ratio	Current Gain Group A B C	h _{re} h _{re} h _{re}	— — —	1.5x10 ⁻⁴ 2x10 ⁻⁴ 3x10 ⁻⁴	— — —	
DC Current Gain (Note 3)	Current Gain Group A B C	h _{FE}	125 220 420	180 290 520	250 475 800	V _{CE} = -5.0V, I _C = -2.0mA
Thermal Resistance, Junction to Substrate Backside	R _{θJSB}	—	—	320	°C/W	Note 1
Thermal Resistance, Junction to Ambient	R _{θJA}	—	—	400	°C/W	Note 1
Collector-Emitter Saturation Voltage (Note 3)	V _{CE(SAT)}	—	-75 -250	-300 -650	mV	I _C = -10mA, I _B = -0.5mA I _C = -100mA, I _B = -5.0mA
Base-Emitter Saturation Voltage (Note 3)	V _{BE(SAT)}	—	-700 -850	—	mV	I _C = -10mA, I _B = -0.5mA I _C = -100mA, I _B = -5.0mA
Base-Emitter Voltage (Note 3)	V _{BE(ON)}	-600 —	-650 —	-750 -820	mV	V _{CE} = -5.0V, I _C = -2.0mA V _{CE} = -5.0V, I _C = -10mA
Collector-Cutoff Current (Note 3)	BC856 BC857 BC858 I _{CES} I _{CES} I _{CES} I _{CBO} I _{CBO}	— — — — —	— — — — —	-15 -15 -15 -15 -4.0	nA nA nA nA μA	V _{CE} = -80V V _{CE} = -50V V _{CE} = -30V V _{CB} = -30V V _{CB} = -30V, T _A = 150°C
Gain Bandwidth Product	f _T	100	200	—	MHz	V _{CE} = -5.0V, I _C = -10mA, f = 100MHz
Collector-Base Capacitance	C _{CB0}	—	3	—	pF	V _{CB} = -10V, f = 1.0MHz
Noise Figure	NF	—	2	10	dB	V _{CE} = -5.0V, I _C = 200μA, R _S = 2kΩ, f = 1kHz, Δf = 200Hz

- Notes:
1. Package mounted on ceramic substrate 0.7mm x 2.5cm² area.
 2. Current gain subgroup "C" is not available for BC856.
 3. Short duration pulse test to minimize self-heating effect.

勝特力材料 886-3-5753170
 勝特力电子(上海) 86-21-54151736
 勝特力电子(深圳) 86-755-83298787
[Http://www.100y.com.tw](http://www.100y.com.tw)



Micro Commercial Components

Ordering Information

Device	Packing
(Part Number)-TP	Tape&Reel;3Kpcs/Reel

IMPORTANT NOTICE

Micro Commercial Components Corp. reserves the right to make changes without further notice to any product herein to make corrections, modifications, enhancements, improvements, or other changes. *Micro Commercial Components Corp.* does not assume any liability arising out of the application or use of any product described herein; neither does it convey any license under its patent rights, nor the rights of others. The user of products in such applications shall assume all risks of such use and will agree to hold *Micro Commercial Components Corp.* and all the companies whose products are represented on our website, harmless against all damages.

APPLICATIONS DISCLAIMER

Products offer by *Micro Commercial Components Corp.* are not intended for use in Medical, Aerospace or Military Applications.

勝特力材料 886-3-5753170
勝特力电子(上海) 86-21-54151736
勝特力电子(深圳) 86-755-83298787
[Http://www.100y.com.tw](http://www.100y.com.tw)

www.mccsemi.com