

2SC945-Y 2SC945-GR

Features

- Capable of 0.4Watts of Power Dissipation.
- Collector-current 0.15A
- Collector-base Voltage 60V
- Operating and storage junction temperature range: -55°C to +150°C
- Case Material: Molded Plastic. UL Flammability Classification Rating 94V-0 and MSL rating 1
- Lead Free Finish/Rohs Compliant ("P" Suffix designates Compliant. See ordering information)

NPN Silicon Plastic-Encapsulate Transistor

Electrical Characteristics @ 25°C Unless Otherwise Specified

Symbol	Parameter	Min	Max	Units
--------	-----------	-----	-----	-------

OFF CHARACTERISTICS

$V_{(BR)CEO}$	Collector-Emmitter Breakdown Voltage ($I_C=0.1mA$, $I_B=0$)	50		Vdc
$V_{(BR)CBO}$	Collector-Base Breakdown Voltage ($I_C=1000\mu A$, $I_E=0$)	60		Vdc
$V_{(BR)EBO}$	Emitter-Base Breakdown Voltage ($I_E=100\mu A$, $I_C=0$)	5.0		Vdc
I_{CBO}	Collector Cutoff Current ($V_{CB}=60Vdc$, $I_E=0A$)		0.1	μA
I_{CER}	Collector Cutoff Current ($V_{CE}=55Vdc$, $R=10M\Omega$)		0.1	μA
I_{EBO}	Emitter Cutoff Current ($V_{EB}=5.0Vdc$, $I_C=0A$)		0.1	μA

ON CHARACTERISTICS

$h_{FE(1)}$	DC Current Gain ($I_C=1.0mA$, $V_{CE}=6.0Vdc$)	120	400	
$h_{FE(2)}$	DC Current Gain ($I_C=0.1mA$, $V_{CE}=6.0Vdc$)	40		
$V_{CE(sat)}$	Collector-Emmitter Saturation Voltage ($I_C=100mA$, $I_B=10mA$)		0.3	Vdc
$V_{BE(sat)}$	Base-Emmitter Saturation Voltage ($I_C=100mA$, $I_B=10mA$)		1.0	Vdc
V_{BE}	Base-Emmitter Voltage ($I_E=310mA$)		1.4	Vdc

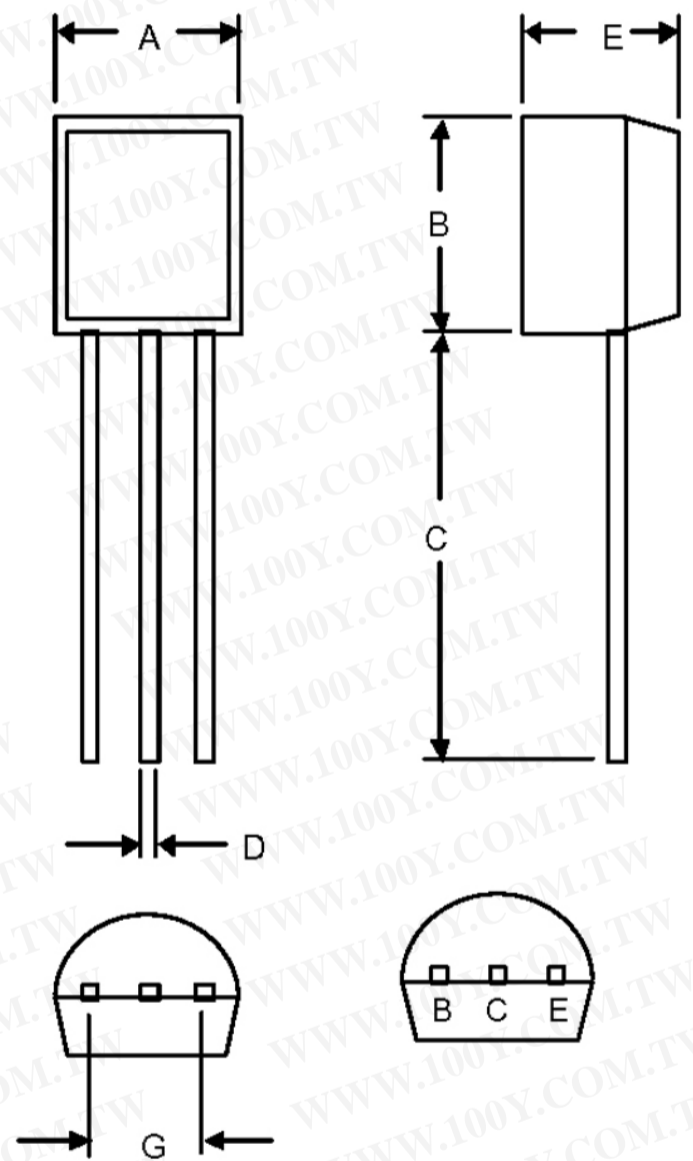
SMALL-SIGNAL CHARACTERISTICS

f_T	Transistor Frequency ($I_C=10mA$, $V_{CE}=6.0Vdc$, $f=30MHz$)	150		MHz
-------	--	-----	--	-----

CLASSIFICATION OF $h_{FE(1)}$

Rank	Y	GR
Range	120-240	200-400

TO-92



DIMENSIONS

DIM	INCHES		MM		NOTE
	MIN	MAX	MIN	MAX	
A	.170	.190	4.33	4.83	
B	.170	.190	4.30	4.83	
C	.550	.590	13.97	14.97	
D	.010	.020	0.36	0.56	
E	.130	.160	3.30	3.96	
G	.010	.104	2.44	2.64	



Micro Commercial Components

勝特力材料 886-3-5753170
勝特力电子(上海) 86-21-34970699
勝特力电子(深圳) 86-755-83298787
[Http://www.100y.com.tw](http://www.100y.com.tw)

Ordering Information

Device	Packing
(Part Number)-AP	Ammo Packing 2Kpcs/AmmoBox
(Part Number)-BP	Bulk; 1Kpcs/Bag

IMPORTANT NOTICE

Micro Commercial Components Corp. reserves the right to make changes without further notice to any product herein to make corrections, modifications, enhancements, improvements, or other changes. *Micro Commercial Components Corp.* does not assume any liability arising out of the application or use of any product described herein; neither does it convey any license under its patent rights, nor the rights of others. The user of products in such applications shall assume all risks of such use and will agree to hold *Micro Commercial Components Corp.* and all the companies whose products are represented on our website, harmless against all damages.

APPLICATIONS DISCLAIMER

Products offer by *Micro Commercial Components Corp.* are not intended for use in Medical, Aerospace or Military Applications.