

| | |
|--|--|
| SURFACE MOUNT SCHOTTKY BARRIER RECTIFIERS | REVERSE VOLTAGE - 20 to 100 Volts FORWARD CURRENT - 2.0 Amperes |
|--|--|

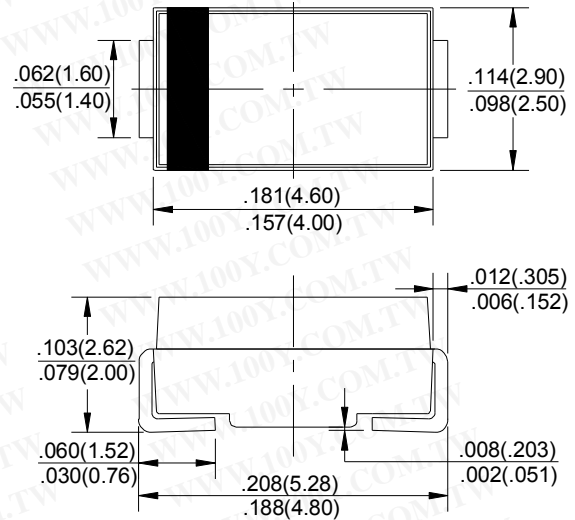
FEATURES

- For surface mounted applications
- Metal-Semiconductor junction with guarding
- Epitaxial construction
- Very low forward voltage drop
- High current capability
- Plastic material has UL flammability classification 94V-0
- For use in low voltage, high frequency inverters, free wheeling, and polarity protection applications.

MECHANICAL DATA

- Case: Molded Plastic
- Polarity: Indicated by cathode band
- Weight: 0.002 ounces, 0.064 grams

SMA



Dimensions in inches and (millimeters)

MAXIMUM RATINGS AND ELECTRICAL CHARACTERISTICS

Rating at 25°C ambient temperature unless otherwise specified.

Single phase, half wave, 60Hz, resistive or inductive load.

For capacitive load, derate current by 20%

勝特力材料 886-3-5753170
胜特力电子(上海) 86-21-54151736
胜特力电子(深圳) 86-755-83298787
[Http://www.100y.com.tw](http://www.100y.com.tw)

| CHARACTERISTICS | SYMBOL | SS22A | SS23A | SS24A | SS25A | SS26A | SS28A | SS210A | UNIT | |
|---|--------|--------------|-------|-------|-------|-------|-------|--------|------|----|
| Maximum Recurrent Peak Reverse Voltage | VRRM | 20 | 30 | 40 | 50 | 60 | 80 | 100 | V | |
| Maximum RMS Voltage | VRMS | 14 | 21 | 28 | 35 | 42 | 56 | 70 | V | |
| Maximum DC Blocking Voltage | VDC | 20 | 30 | 40 | 50 | 60 | 80 | 100 | V | |
| Maximum Average Forward Rectified Current @TL=100 °C | I(AV) | 2.0 | | | | | | | A | |
| Peak Forward Surge Current 8.3ms Single Half Sine-Wave Super Imposed On Rated Load (JEDEC Method) | IFSM | 60 | | | | | | | A | |
| Maximum Forward Voltage at 2.0A DC | VF | 0.55 | | 0.7 | | 0.85 | | | V | |
| Maximum DC Reverse Current at Rated DC Blocking Voltage @TJ=25°C @TJ=100°C | IR | 1.0 | | | | | | | 20 | mA |
| Typical Junction Capacitance (Note1) | CJ | 200 | | | | | | | pF | |
| Typical Thermal Resistance (Note2) | RθJL | 15 | | | | | | | °C/W | |
| Operating Temperature Range | TJ | -55 to + 125 | | | | | | | °C | |
| Storage Temperature Range | TSTG | -55 to + 150 | | | | | | | °C | |

NOTES: 1. Measured at 1.0 MHz and applied reverse voltage of 4.0V DC.

2. Thermal resistance junction to lead.

RATING AND CHARACTERISTIC CURVES
SS22A thru SS210A



FIG. 1 - FORWARD CURRENT DERATING CURVE

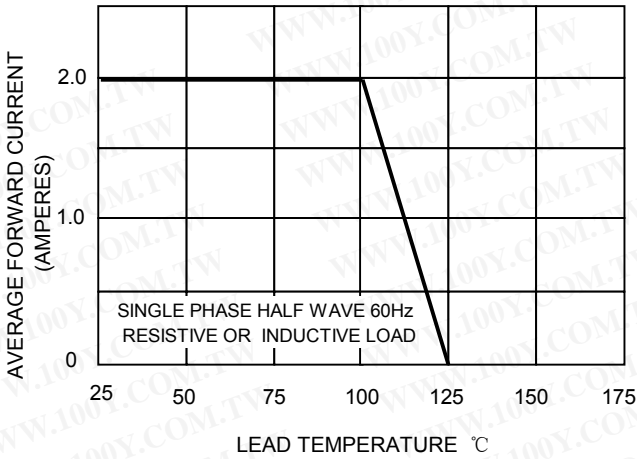


FIG.2 - MAXIMUM NON-REPETITIVE SURGE CURRENT

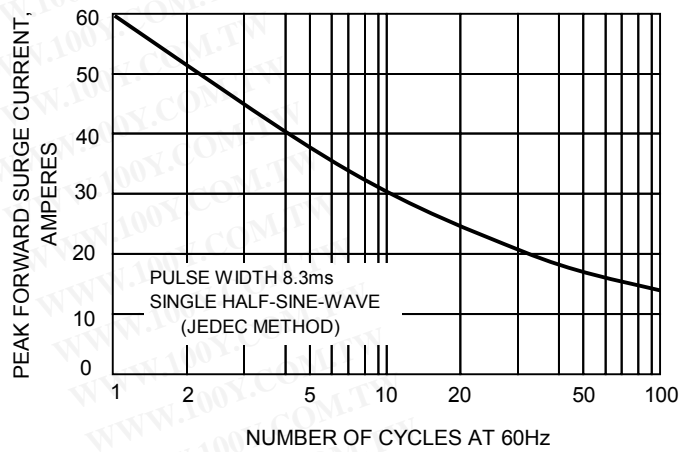


FIG.3-TYPICAL FORWARD CHARACTERISTICS

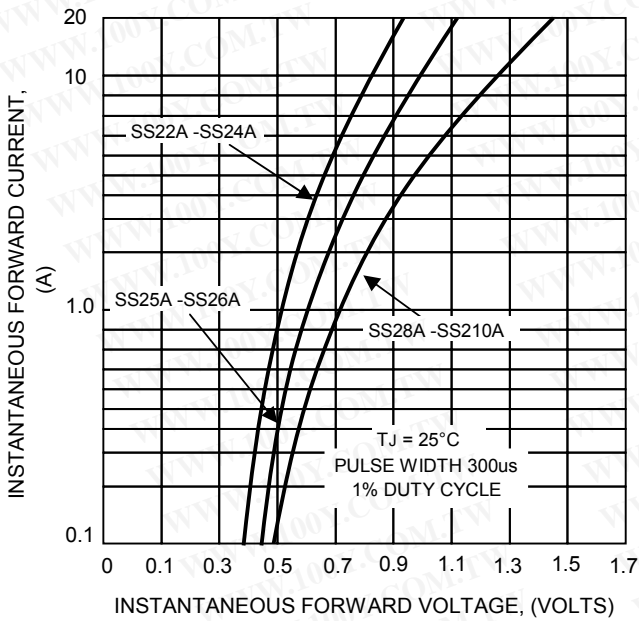


FIG.4-TYPICAL JUNCTION CAPACITANCE

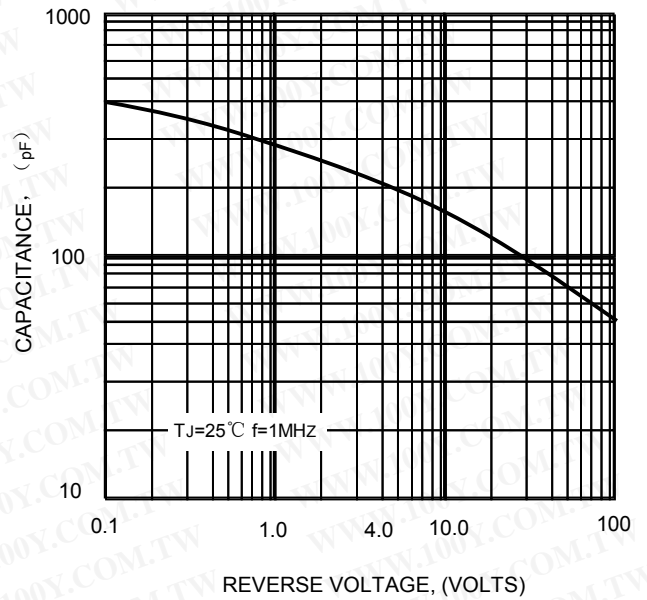


FIG.5-TYPICAL REVERSE CHARACTERISTICS

