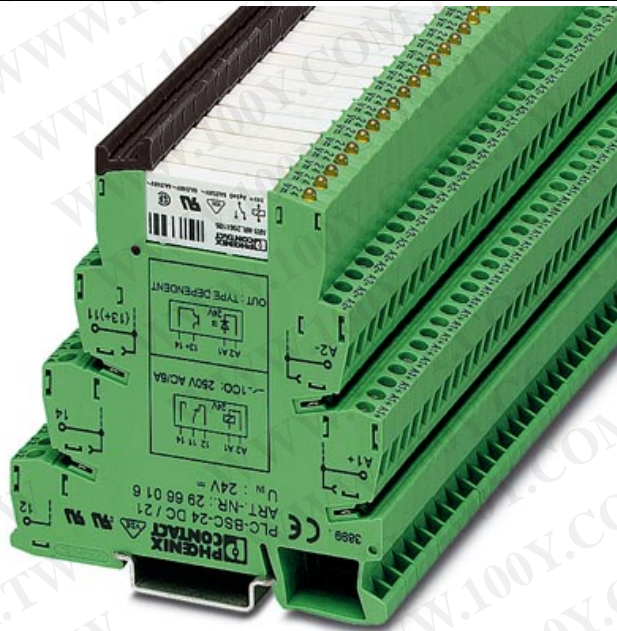


PLC-RSC- 24DC/21AU



▶ Extract from the online catalog



PLC relay, consisting of base terminal block PLC-BSC.../21 with screw connection and pluggable miniature relay with multi-layer contact, for assembly on mounting rail NS 35/7.5, 1 PDT, input voltage 24 V DC

The illustration shows the version PLC-RSC-24DC/21

Order No.	2966265
Ord designation	PLC-RSC- 24DC/21AU
EAN	4017918131036
Pack	10 Pcs.
Customs tariff	85364190
Catalog page information	Page 59 (IF-2005)

▶ Technical data

Coil side

Nominal input voltage U_N	24 V DC
Nominal input current at U_N	9 mA
Typical response time	5 ms
Typical release time	8 ms
Operating voltage display	Yes
Protective circuit/component	Damping diode, polarity protection diode



Contact side

Contact type	Single contact, 1 PDT
Contact material	Ag alloy, hard gold-plated
Maximum switching voltage	30 V AC
Maximum switching voltage	36 V DC
Maximum switching voltage	250 V AC/DC (when the gold layer is destroyed)
Minimum switching voltage	100 mV
Minimum switching voltage	12 V AC/DC (when the gold layer is destroyed)
Maximum inrush current	50 mA
Min. switching current	1 mA
Min. switching current	10 mA (when the gold layer is destroyed)
Limiting continuous current	50 mA
Limiting continuous current	6 A (when the gold layer is destroyed)
Power rating (ohmic load) max.	1 W (for 24 V DC)
Power rating (ohmic load) max. destroyed gold layer	140 W (at 24 V DC - Value applies when the gold layer is destroyed)
Power rating (ohmic load) max. destroyed gold layer	20 W (at 48 V DC - Value applies when the gold layer is destroyed)
Power rating (ohmic load) max. destroyed gold layer	18 W (at 60 V DC - Value applies when the gold layer is destroyed)
Power rating (ohmic load) max. destroyed gold layer	23 W (at 110 V DC - Value applies when the gold layer is destroyed)
Power rating (ohmic load) max. destroyed gold layer	40 W (at 220 V DC - Value applies when the gold layer is destroyed)
Power rating (ohmic load) max. destroyed gold layer	1500 VA (at 250 V AC - Value applies when the gold layer is destroyed)
Switching capacity min.	100 μ W

General data

Length	80 mm
Height	94 mm
Width	6.2 mm
Test voltage relay winding/relay contact	4 kV AC (50 Hz, 1 min)
Ambient temperature (operation)	-20 °C ... 60 °C
Operating mode	100% operating factor
Service life mechanical	2 x 10 ⁷ cycles
Standards/regulations	IEC 60664
Standards/regulations	IEC 60664 A
Standards/regulations	DIN VDE 0110
Standards/regulations	DIN EN 50178/DIN VDE 0160 (in relevant parts)
Standards/regulations	DIN EN 50178/VDE 0160
Standards/regulations	IEC 60255/DIN VDE 0435 (in relevant parts)
Contamination class	3
Surge voltage category	III

勝特力材料 886-3-5753170
 勝特力电子(上海) 86-21-34970699
 勝特力电子(深圳) 86-755-83298787
[Http://www.100y.com.tw](http://www.100y.com.tw)

PLC-RSC- 24DC/21AU



Connection data

Type of connection	Screw connection
Conductor cross section, rigid min.	0.14 mm ²
Conductor cross section, rigid max.	2.5 mm ²
Conductor cross section flexible min.	0.14 mm ²
Conductor cross section, flexible max.	2.5 mm ²
Conductor cross section AWG/kcmil min.	26
Conductor cross section AWG/kcmil max	14
Stripping length	8 mm
Screw thread	M 3

勝特力材料 886-3-5753170
勝特力电子(上海) 86-21-34970699
勝特力电子(深圳) 86-755-83298787
[Http://www.100y.com.tw](http://www.100y.com.tw)



► Certificates

Certificate logos



CUL

Comments	Input
Nominal voltage U_N	24 V
AWG/kcmil	30-12
Comments	Output
Nominal voltage U_N	30 V
Nominal current I_N	0.05 A
AWG/kcmil	30-12

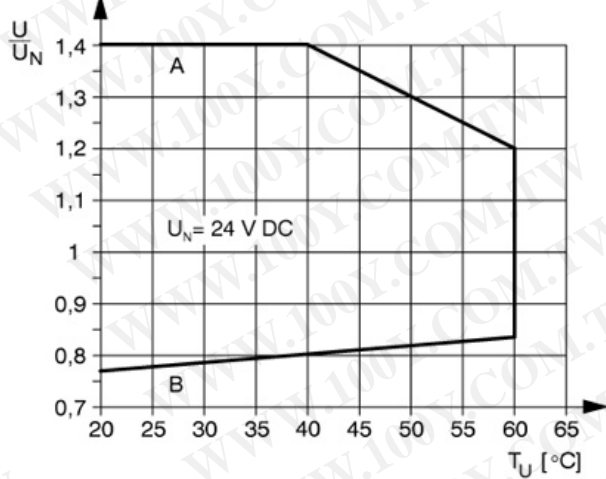
UL

Comments	Input
Nominal voltage U_N	24 V
AWG/kcmil	30-12
Comments	Output
Nominal voltage U_N	30 V
Nominal current I_N	0.05 A
AWG/kcmil	30-12

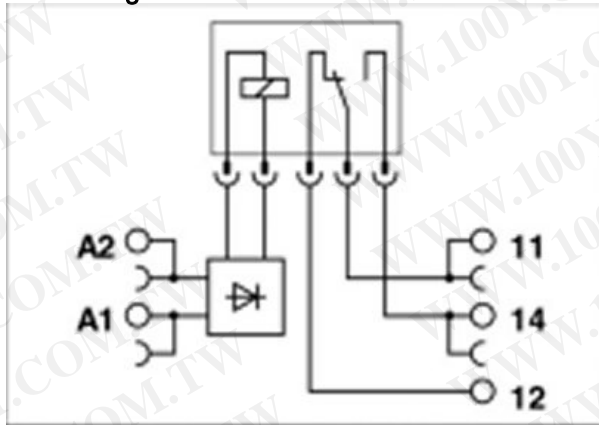
勝特力材料 886-3-5753170
 勝特力电子(上海) 86-21-34970699
 勝特力电子(深圳) 86-755-83298787
[Http://www.100y.com.tw](http://www.100y.com.tw)

► Drawings

Diagram



Circuit diagram



勝特力材料 886-3-5753170
勝特力电子(上海) 86-21-34970699
勝特力电子(深圳) 86-755-83298787
[Http://www.100y.com.tw](http://www.100y.com.tw)



► Accessories

Item	Designation	Description
Assembly		
0801762	NS 35/ 7,5 CU UNPERF 2000MM	DIN rail, material: Copper, unperforated, height 7.5 mm, width 35 mm, length: 2 m
0801733	NS 35/ 7,5 PERF 2000MM	DIN rail, material: Steel, perforated, height 7.5 mm, width 35 mm, length: 2 m
0801681	NS 35/ 7,5 UNPERF 2000MM	DIN rail, material: Steel, unperforated, height 7.5 mm, width 35 mm, length: 2 m
0801377	NS 35/ 7,5 V2A UNPERF 2000MM	DIN rail, material: High-grade steel V2A, unperforated, height 5.5 mm, width 15 mm, length: 2 m
1201756	NS 35/15 AL UNPERF 2000MM	DIN rail, deep-drawn, high profile, unperforated, 1.5 mm thick, material: Aluminum, height 15 mm, width 35 mm, length 2 m
1201895	NS 35/15 CU UNPERF 2000MM	DIN rail, material: Copper, unperforated, 1.5 mm thick, height 15 mm, width 35 mm, length: 2 m
1201730	NS 35/15 PERF 2000MM	DIN rail, material: Steel, perforated, height 15 mm, width 35 mm, length: 2 m
1201714	NS 35/15 UNPERF 2000MM	DIN rail, material: Steel, unperforated, height 15 mm, width 35 mm, length: 2 m
1201798	NS 35/15-2,3 UNPERF 2000MM	DIN rail, material: Steel, unperforated, 2.3 mm thick, height 15 mm, width 35 mm, length: 2 m
2966841	PLC-ATP BK	Separating plate, 2 mm thick, required at the start and end of a PLC terminal strip. Furthermore, it is used for: -visual separation of groups, -safe isolation of different voltages of neighboring PLC relays in acc. with DIN VDE 0106-101, -isolation
Bridges		
2966812	FBST 6-PLC BU	Plug-in bridge, 2-pos., 6 mm long, insulated, for potential distribution with PLC, color of the insulation material: Blue
2966825	FBST 6-PLC GY	Plug-in bridge, 2-pos., 6 mm long, insulated, for potential distribution with PLC, color of the insulation material: Gray
2966236	FBST 6-PLC RD	Plug-in bridge, 2-pos., 6 mm long, insulated, for potential distribution with PLC, color of the insulation material: Red
2967688	FBST 8-PLC GY	Plug-in bridge, 2-pos., 8 mm long, insulated, for potential distribution with PLC, with separating plate, color of the insulation material: Gray
2967691	FBST 14-PLC BK	Plug-in bridge, 2-pos., 14 mm long, insulated, to increase efficiency with PLC...IC and PLC..HC, color of the insulation material: Black
2966692	FBST 500-PLC BU	Continuous plug-in bridge, 500 mm long, insulated, can be cut to length, for potential distribution with PLC..., color of the insulating material: Blue
2966838	FBST 500-PLC GY	Continuous plug-in bridge, 500 mm long, insulated, can be cut to length, for potential distribution with PLC..., color of the insulating material: Gray
2966786	FBST 500-PLC RD	Continuous plug-in bridge, 500 mm long, insulated, can be cut to length, for potential distribution with PLC..., color of the insulating material: Red



Marking

1051016	ZB 6,LGS:FORTL.ZAHLEN	Zack strip, 10-section, printed horizontally: with the numbers, 1-10, 11-20 etc. up to 991-1000, color: white
5060935	ZB 6/WH-100:UNBEDRUCKT	Zack strip, unprinted: For individual labeling with M-PEN, ZB-T or CMS system, large batch, sufficient for labeling 1000 terminal blocks, for a terminal width of 6.2 mm, color: White
1051003	ZB 6:UNBEDRUCKT	Zack strip, unprinted, strips with 10 labels for individual labeling with M-PEN or CMS system, for terminal block width: 6.2 mm, color: white

勝特力材料 886-3-5753170
 勝特力电子(上海) 86-21-34970699
 勝特力电子(深圳) 86-755-83298787
[Http://www.100y.com.tw](http://www.100y.com.tw)