

TRC

MAIN FEATURES

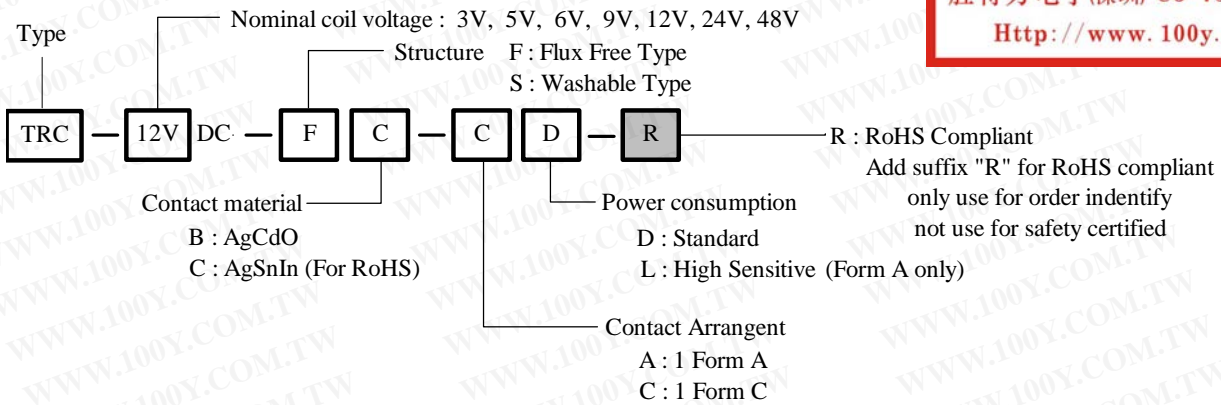
- Smallest size (10.2 × 18.2 × 15.0 mm) at 10A switching capacity relay for high density P.C. board mounting technique.
- 1A and 1C contact form available.
- Surge resistiveness of 5000V on series relays.
- Selection of plastic insulation material for high temperature and better chemical solution performance.
- UL、CSA and TUV recognized.



APPLICATIONS

- Domestic appliance, office machine, audio equipment, automobile, etc.

ORDERING INFORMATION

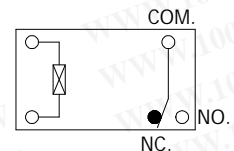
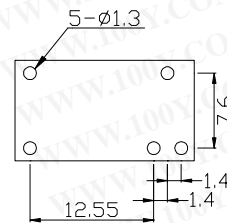
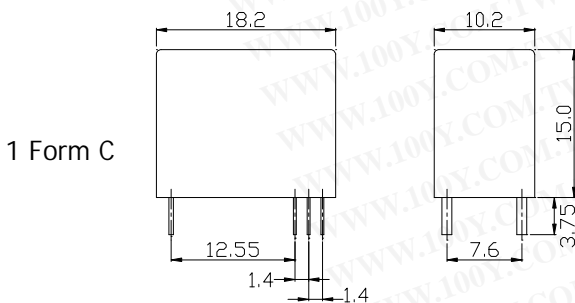
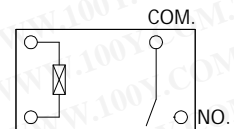
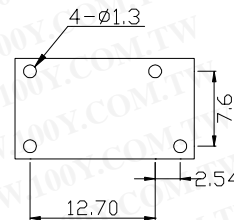
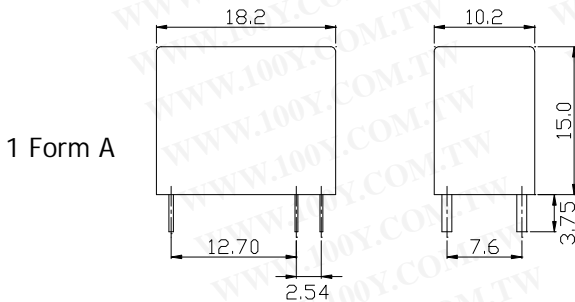


勝特力材料 886-3-5753170
 勝特力电子(上海) 86-21-54151736
 勝特力电子(深圳) 86-755-83298787
[Http://www.100y.com.tw](http://www.100y.com.tw)

DIMENSION (unit:mm)

DRILLING (unit:mm)

WIRING DIAGRAM



COIL DATA CHART (AT20°C)

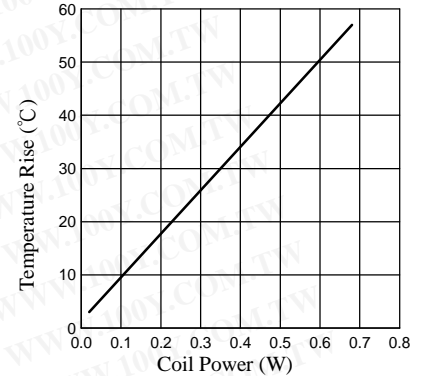
Coil Sensitivity	Nominal Coil Voltage (VDC)	Nominal Current (mA)	Coil Resistance (Ω) $\pm 10\%$	Power Consumption (W)	Pull-In Voltage (VDC)	Drop-Out Voltage (VDC)	Max-Allowable Voltage (VDC)
TRC-L (High Sensitivity)	3	67	45	abt. 0.2W	75% Max.	5% Min.	130% Max.
	5	40	125				
	6	33.3	180				
	9	22.5	400				
	12	16.7	720				
TRC-D (Standard)	24	8.16	2800	abt. 0.45W	75% Max.	5% Min.	120% Max.
	3	150	20				
	5	91	55				
	6	75	80				
	9	50	180				
	12	37.5	320				
24	18.8	1280					
48	9.4	5100					

CONTACT RATING

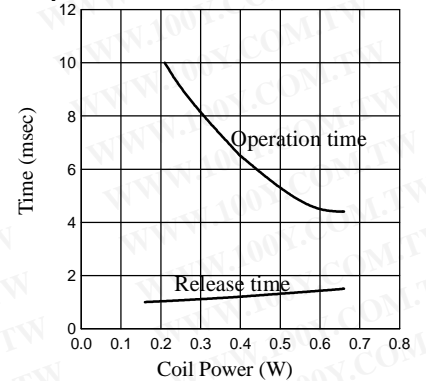
Item	Type	TRC
Contact Capacity		
Resistive Load (cos Φ =1)		10A 120VAC/ 28VDC (UL), 5A 240VAC/ 28VDC (TUV)
Rated Carrying Current		10A
Max. Allowable Voltage		265VAC / 30VDC
Max. Allowable Current		10A
Max. Allowable Power Force		1200VA / 280W
Referenced Min. Applicable Load		5VDC / 10mA
Contact Material		Ag Alloy

REFERENCE DATA

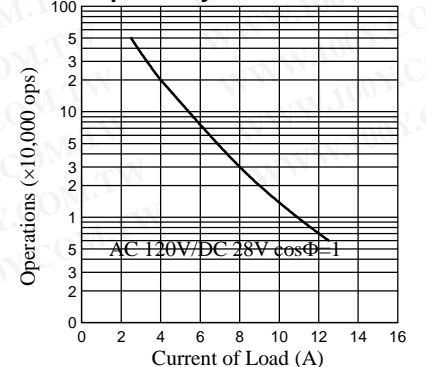
Coil Temperature Rise



Operation Time



Life Expectancy



PERFORMANCE (at initial value)

Item	Type	TRC	
		1 Form C	1 Form A
Contact Resistance		100m Ω Max.	
Operation Time		10msec Max.	
Release Time		4msec Max.	
Dielectric Strength		2800VAC 1 min 750VAC 1 min	
Surge Resistiveness		5000V	
Insulation Resistance		100 M Ω Min. (500VDC)	
Max. ON/OFF Switching		300 operation/min Mechanically 30 operation/min Electrically	
Operating Ambient Temperature		-30°C to +60°C	
Operating Humidity		45 to 85% RH	
Coil Temperature Rise		40 deg. Max. (at rated coil voltage)	
Vibration		10 to 55HZ Double Amplitude 1.5mm Endurance Error Operation	
Shock		100G Min. Endurance 10G Min. Error Operation	
Life Expectancy		10 \times 10 ⁶ ops. Min. (no load) Mechanically 10 \times 10 ⁴ ops. Min. (at rated coil voltage) Electrically	
Weight		abt. 6grs.	
UL		E156521	
CSA		LR102317	
TUV		R50062360	

This datasheet for reference and subject to change without notice. Please double check final specification with Tai-Shing.