

AC SOLID STATE RELAY

K3P20R25DA K3P20R75DA
K3P20R40DA K3P20R90DA
K3P20R50DA K3P20R100DA

(INDUCTIVE LOAD ONLY)
 3PHASE SERIES



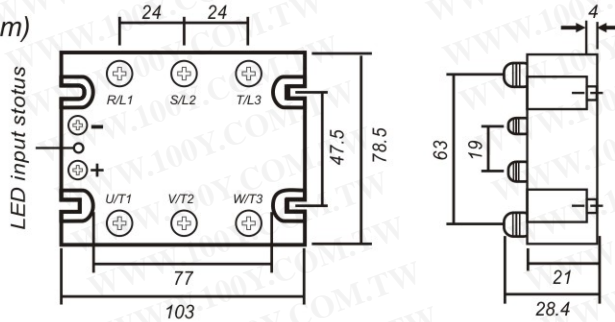
SPECIFICATIONS

MODEL NO.	CONTROL VOLTAGE RANGE	MUST TURN OFF VOLTAGE	INPUT IMPEDANCE	MAX LOAD CURRENT	LOAD VOLTAGE RANGE	MIN BLOCKING VOLTAGE	MAX OFF-STATE LEAKAGE	FREQUENCY RANGE	MAX 1-CYCLE PEAK SURGE
K3P20R25DA	6 TO 32VDC	MAX9.5VDC	1.5Kohm	25A	24~280VAC	600VAC	LESS 10 mA	47~63HZ	315A
K3P20R40DA	6 TO 32VDC	MAX9.5VDC	1.5Kohm	40A	24~280VAC	600VAC	LESS 10 mA	47~63HZ	450A
K3P20R50DA	6 TO 32VDC	MAX9.5VDC	1.5Kohm	50A	24~280VAC	600VAC	LESS 10 mA	47~63HZ	560A
K3P20R75DA	6 TO 32VDC	MAX9.5VDC	1.5Kohm	75A	24~280VAC	600VAC	LESS 10 mA	47~63HZ	700A
K3P20R90DA	6 TO 32VDC	MAX9.5VDC	1.5Kohm	90A	24~280VAC	600VAC	LESS 10 mA	47~63HZ	900A
K3P20R100DA	6 TO 32VDC	MAX9.5VDC	1.5Kohm	100A	24~280VAC	600VAC	LESS 10 mA	47~63HZ	1030A

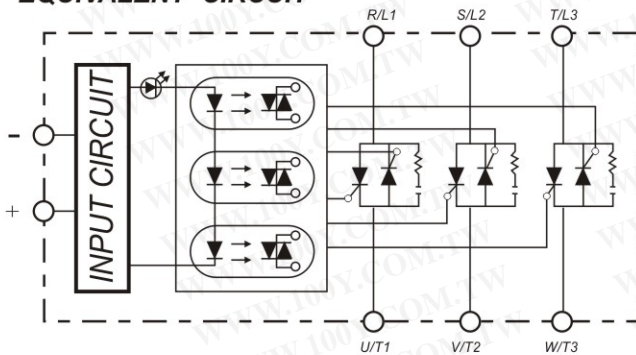
MODEL NO.	MAX OFF STATE dv/dt	MAX ON-STATE VOLTAGE DROP	ISOLATE IMPEDENCE	DIELECTRIC STRENGTH INPUT-OUTPUT	DIELECTRIC STRENGTH INPUT-OUTPUT-CASE	TURN ON TIME	TURN OFF TIME	CAPACITANCE IN-OUT	WEIGHT (g)
K3P20R25DA	250 V/ μ SEC	1.6Vrms	10^9 ohm	2500Vrms	2500Vrms	LESS1/2ACcycle	LESS1/2ACcycle	LESS473pf	600 g
K3P20R40DA	250 V/ μ SEC	1.6Vrms	10^9 ohm	2500Vrms	2500Vrms	LESS1/2ACcycle	LESS1/2ACcycle	LESS473pf	600 g
K3P20R50DA	250 V/ μ SEC	1.6Vrms	10^9 ohm	2500Vrms	2500Vrms	LESS1/2ACcycle	LESS1/2ACcycle	LESS473pf	600 g
K3P20R75DA	250 V/ μ SEC	1.6Vrms	10^9 ohm	2500Vrms	2500Vrms	LESS1/2ACcycle	LESS1/2ACcycle	LESS473pf	600 g
K3P20R90DA	250 V/ μ SEC	1.6Vrms	10^9 ohm	2500Vrms	2500Vrms	LESS1/2ACcycle	LESS1/2ACcycle	LESS473pf	600 g
K3P20R100DA	250 V/ μ SEC	1.6Vrms	10^9 ohm	2500Vrms	2500Vrms	LESS1/2ACcycle	LESS1/2ACcycle	LESS473pf	600 g

OUTLINE DIMENSIONS (unit:mm)

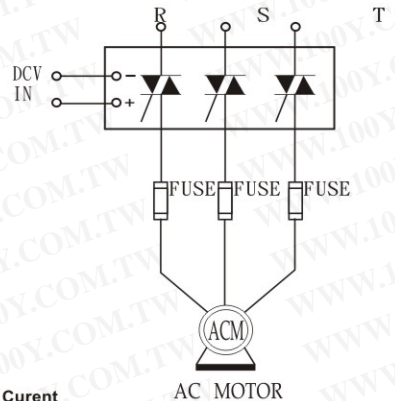
勝特力材料 886-3-5753170
 勝特力电子(上海) 86-21-34970699
 勝特力电子(深圳) 86-755-83298787
[Http://www.100y.com.tw](http://www.100y.com.tw)



EQUIVALENT CIRCUIT



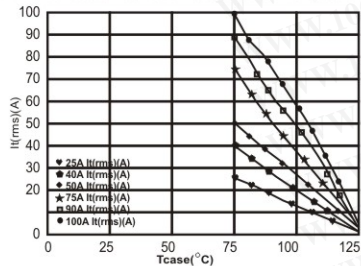
Example of 3 ϕ SSR Application



CHARACTERISTIC CURVES

Characteristics curve

RMS On-state Current Versus Case Temperature



Non Repetitive Surge On-state Current Versus Number Of Cycles

