

三相马达正逆转固态继电器 3 PHASE SOLID STATE REVERSING RELAY

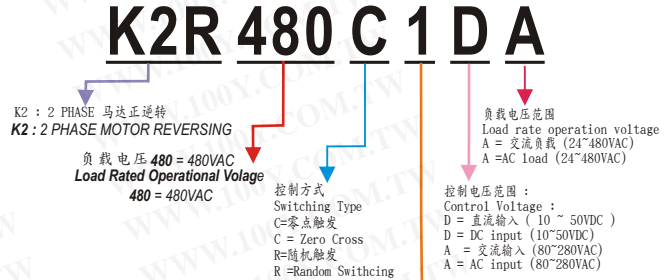
K2R480C1DA K2R480R1DA
K2R480C2DA K2R480R2DA
K2R480C3DA K2R480R3DA
K2R480C4DA K2R480R4DA
K2R480C5DA K2R480R5DA
K2R480C7DA K2R480R7DA

K2R480XXDA SERIES



型号索引说明 Model No. Descriptions:

- ❖ 此为三相马达正逆转所设计
Motor reversing for 3-phase induction motors.
- ❖ 负载输出电压可达480VAC
Rated operational voltage : Up to 480VACrms.
- ❖ 内建连结功能。
Built-in interlock function.
- ❖ 直流控制/交流控制
DC control voltage / AC control voltage
- ❖ 内建冲击电压保护
Built-in voltage transient protection.
- ❖ 输入-输出绝缘电压可达4000VACrms。
Insulation: Optocoupler (input-output) 4000VACrms.



马达额定功率 **Motor Power Rating :**
 1=1HP (0.75kW), 2=2HP (1.5kW), 3=3HP (2.2kW)
 4=4HP (3.0kW), 5=5HP (4.0kW), 7=7.5HP (5.5kW)

产品摘录 PRODUCT SELECTON

输出规格 OUTPUT SPECIFICATIONS

品名	Description	K2R480C1DA	K2R480C2DA	K2R480C3DA	K2R480C4DA	K2R480C5DA	K2R480C7DA
马达额定功率	Motor rating	1HP/0.75kW	2HP/1.5kW	3HP/2.2kW	4HP/3.0kW	5HP/4.0kW	7.5HP/5.5kW
负载电压范围	Operating Voltage [VAC]	24-480	24-480	24-480	24-480	24-480	24-480
破坏电压	Maximum Transient Overvoltage [Vpk]	1200	1200	1200	1200	1200	1200
泄露电流	Maximum Off-State Leakage Current @Rated Voltage [mA]	Less 1m Ams	Less 1m Ams	Less 1m Ams	Less 1m Ams	Less 1m Ams	Less 1m Ams
最大瞬间承受电流	Maximum Surge Current [Adc] (10ms)	10A	20A	30A	40A	50A	75A
动作压降	Maximum On-State Voltage Drop @ Rated Current [Vdc]	1.6	1.6	1.6	1.6	1.6	1.6
端子阻抗	Thermal Resistance Junction to Case [Rjc] [°C/W]	0.8	0.8	0.8	0.8	0.8	0.8

输入规格 INPUT SPECIFICATIONS

品名	Description	K2R480C1DA	K2R480C2DA	K2R480C3DA	K2R480C4DA	K2R480C5DA	K2R480C7DA
控制电压范围	Control Voltage Range	10-50V DC	10-50V DC	10-50V DC	10-50V DC	10-50V DC	10-50V DC
最小导通电压	Minimum Turn-on Voltage	10	10	10	10	10	10
最小关断电压	Minimum Turn-off Voltage	2.0	2.0	2.0	2.0	2.0	2.0
关断泄漏电流	Typical Input Current at Nominal Voltage	15mA	15mA	15mA	15mA	15mA	15mA
输入阻抗	Nominal Input Impedance	1.5 Kohm	1.5 Kohm	1.5 Kohm	1.5 Kohm	1.5 Kohm	1.5 Kohm
最大动作时间	Maximum Turn-on Time [msec]	Less 2m Sec	Less 2m Sec	Less 2m Sec	Less 2m Sec	Less 2m Sec	Less 2m Sec
最大关断时间	Maximum Turn-off Time [msec]	Less 1/2A C cycle	Less 1/2A C cycle	Less 1/2A C cycle	Less 1/2A C cycle	Less 1/2A C cycle	Less 1/2A C cycle

一般规格 GENERAL SPECIFICATIONS

品名	Description	K2R480C1DA	K2R480C2DA	K2R480C3DA	K2R480C4DA	K2R480C5DA	K2R480C7DA
输入/输出至外壳绝缘电压	Dielectric Strength , Input-Output Base (50/60Hz)	2500	2500	2500	2500	2500	2500
绝缘电阻	Minimum Insulation Resistance	10 ⁹ ohm	10 ⁹ ohm	10 ⁹ ohm	10 ⁹ ohm	10 ⁹ ohm	10 ⁹ ohm
输入-输出容抗	Maximum Capacitance , Input-Output	Less 15pf	Less 15pf	Less 15pf	Less 15pf	Less 15pf	Less 15pf
工作温度范围	Ambient Operating Temperature Range	-20°C ~+80°C	-20°C ~+80°C	-20°C ~+80°C	-20°C ~+80°C	-20°C ~+80°C	-20°C ~+80°C
储存温度范围	Ambient Storage Temperature Range	-40°C ~+100°C	-40°C ~+100°C	-40°C ~+100°C	-40°C ~+100°C	-40°C ~+100°C	-40°C ~+100°C
触发方式	Switching Type	Zero Cross	Zero Cross	Zero Cross	Zero Cross	Zero Cross	Zero Cross
重量	Weight (g)	60g	60g	60g	60g	60g	60g

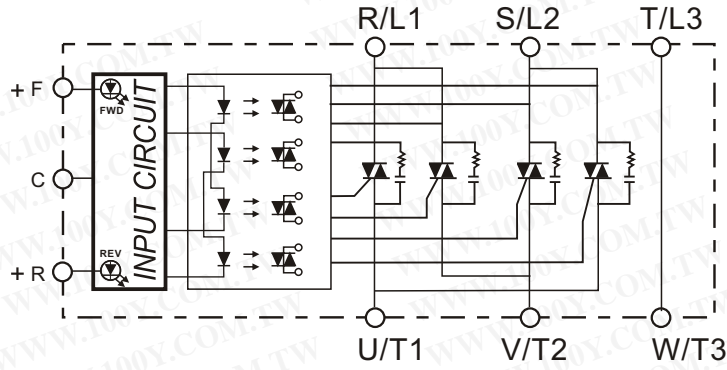
GENERAL NOTES

- (1) All parameters at 25°C unless otherwise specified
- (2) Dielectric strength and insulation resistance are measured between input and output
- (3) Heat sinking require ,for derating curves see next page.

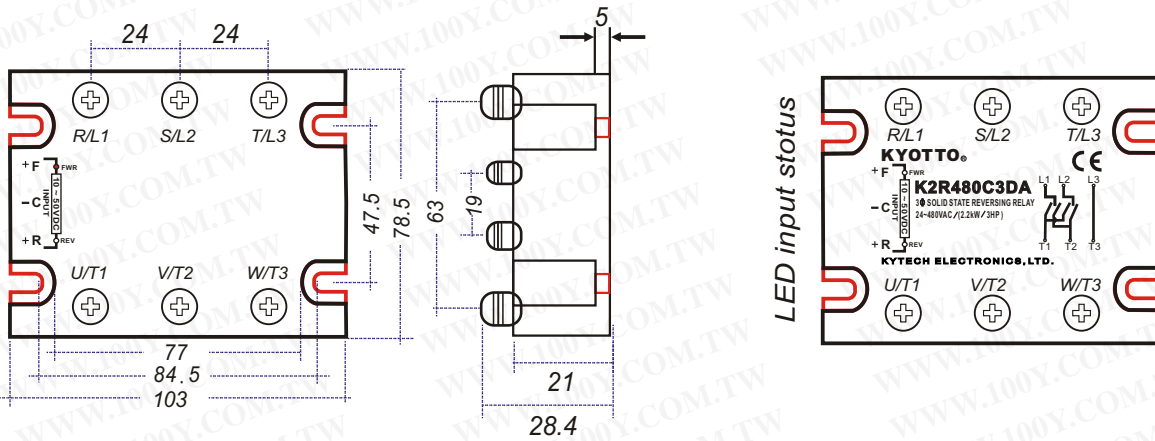
勝特力材料 886-3-5753170
勝特力电子(上海) 86-21-34970699
勝特力电子(深圳) 86-755-83298787
[Http://www.100y.com.tw](http://www.100y.com.tw)

等效电路图 EQUIVALENT CIRCUIT

❖ DC INPUT

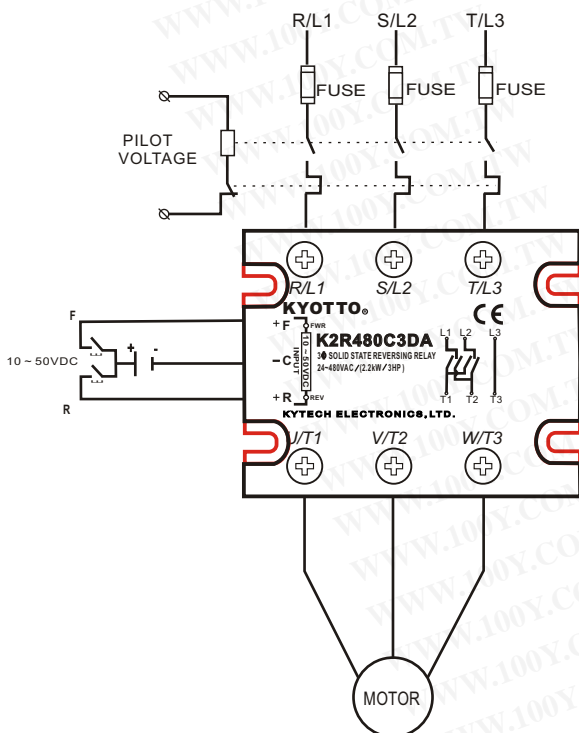


外观尺寸图 MECHANICAL DIMENSIONS (Unit:mm)

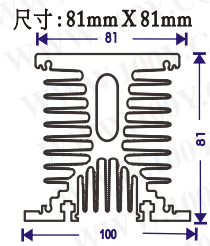
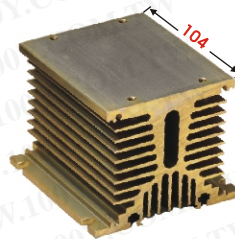


应用范例 EXAMPLE APPLICATION

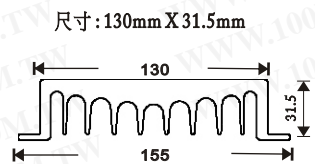
散热片 HEAT SINK



❖ KH104-104



❖ KH197



勝特力材料 886-3-5753170
 勝特力电子(上海) 86-21-34970699
 勝特力电子(深圳) 86-755-83298787
[Http://www.100y.com.tw](http://www.100y.com.tw)