

固態繼電器 SOLID STATE RELAY

KD30C25AX

KD30 (DC-AC) SERIES



勝特力材料 886-3-5753170
 勝特力电子(上海) 86-21-34970699
 勝特力电子(深圳) 86-755-83298787
[Http://www.100y.com.tw](http://www.100y.com.tw)

型號索引說明 Model No. Descriptions:

KD 30 C 25 AX

These two letters indicate SSR's series:
 KA.KB.KD.KO.KS.KT : DC to AC TYPE

This letters indicate:
 "A" = AC output,

負載電壓
 THE OUTPUT VOLTAGE:
 30 = 380VAC

C = Zero Cross
 R = Random Type.

負載電流
 THE OUTPUT CURRENT :
 10=10A, 15=15A, 25=25A
 40=40A, 50=50A, 75=75A
 90=90A, 100 = 100A
 125=125A

產品摘錄 PRODUCT SELECTON

輸出規格 OUTPUT SPECIFICATIONS

品名	Description	KD30C25AX
負載電壓範圍	Operating Voltage [VAC]	24-380VAC
最大負載電流	Maximum Load Current [Adc]	25A
破壞電壓	Maximum Transient Overvoltage [Vpk]	800
洩漏電流	Maximum Off-State Leakage Current @Rated Voltage [mA]	Less 3mA
最大瞬間承受電流	Maximum Surge Current [Adc] (10ms)	250A
動作壓降	Maximum On-State Voltage Drop @ Rated Current [VACrms]	1.5
瞬間電壓變化率	Maximum Off-State dV/dt [V/uSEC]	500

輸入規格 INPUT SPECIFICATIONS

品名	Description	KD30C25AX
控制電壓範圍	Control Voltage Range	4-32VDC
最小導通電壓	Minimum Turn-on Voltage	3.0
最大關斷電壓	Maximum Turn-off Voltage	1.0
輸入電流	Typical Input Current	15mA
最大動作時間	Maximum Turn-on Time [mSec]	8.3m Sec
最大關斷時間	Maximum Turn-off Time [mSec]	Less 1/2AC cycle

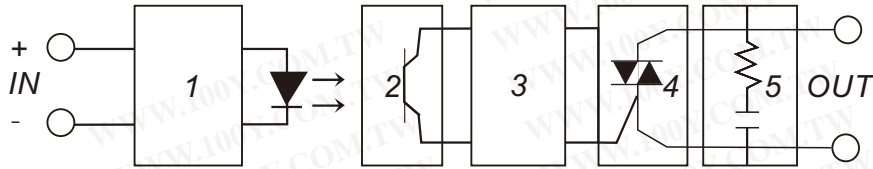
一般規格 GENERAL SPECIFICATIONS

品名	Description	KD30C25AX
輸入/輸出至外殼絕緣電壓	Dielectric Strength , Input-Output Base (50/60Hz)	2500
輸入/輸出絕緣電壓	Dielectric Strength , Input-Output (50/60Hz)	2500
絕緣電阻	Minimum Insulation Resistance	10 ⁹ ohm
輸入-輸出容抗	Maximum Capacitance , Input-Output	Less 15pf
工作溫度範圍	Ambient Operating Temperature Range	-20°C~+80°C
儲存溫度範圍	Ambient Storage Temperature Range	-40°C~+100°C
觸發方式	Switching Type	Zero Cross
重量	Weight (g)	100g

GENERAL NOTES

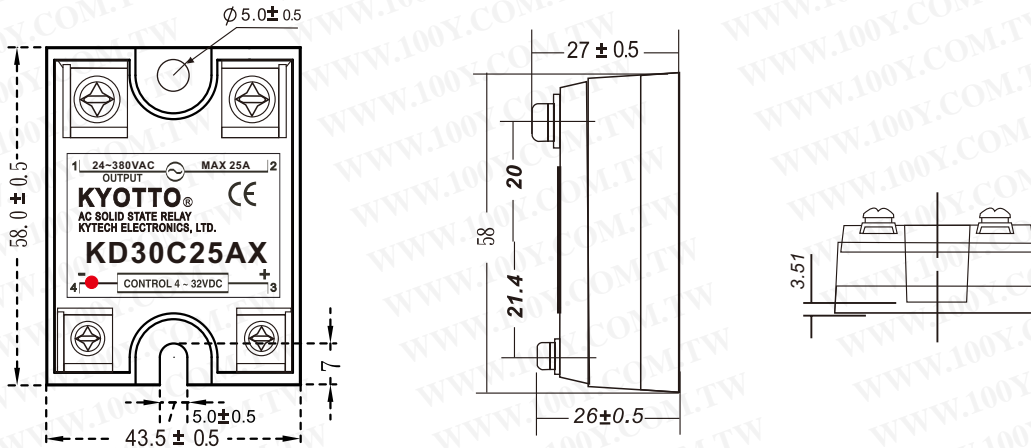
- (1) All parameters at 25°C unless otherwise specified
- (2) Dielectric strength and insulation resistance are measured between input and output
- (3) Heat sinking require ,for derating curves see next page.

等效電路圖 EQUIVALENT CIRCUIT

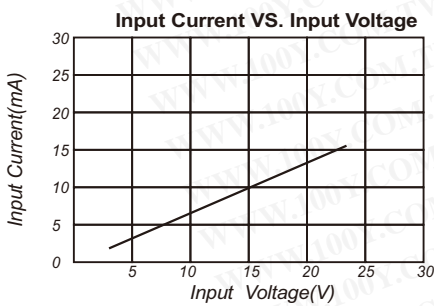


- 1.INPUT CIRCUIT
- 2.PHOTO DETECTOR
- 3.ZERO-CROSS CIRCUIT
- 4.OUTPUT CIRCUIT
- 5.PROTECTED CIRCUIT

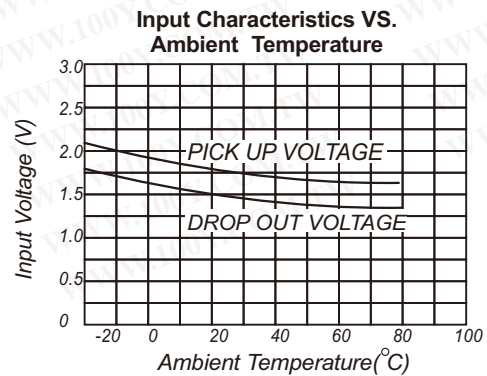
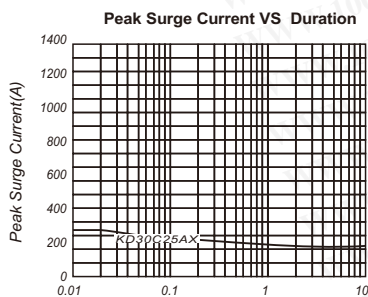
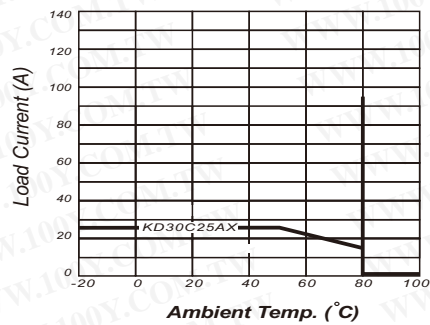
外觀尺寸圖 MECHANICAL DIMENSIONS (Unit:mm)



特性曲線圖 CHARACTERISTIC CURVES



Load Current VS. Ambient Temp.



勝特力材料 886-3-5753170
 勝特力电子(上海) 86-21-34970699
 勝特力电子(深圳) 86-755-83298787
[Http://www.100y.com.tw](http://www.100y.com.tw)