

Switch Mode Power Supply

S8JC-Z / S8JC-ZS

S8JC-ZS, newly released Power Supply with CE marking, additional models for economical Power Supply, S8JC-Z series.

S8JC-Z/S8JC-ZS is our best standard power supply for

- material cost reduction
- export machines, required safety standard
- time saving for installation by DIN-rail mounting

勝特力材料 886-3-5753170
 勝特力电子(上海) 86-21-34970699
 勝特力电子(深圳) 86-755-83298787
[Http://www.100y.com.tw](http://www.100y.com.tw)



Model Number Structure

Model Number Legend

Note: Not all combinations are possible. Refer to *List of Models in Ordering Information* on page 2.

S8JC-Z□□□□□□□□-□□□□
 1 2 3 4 5 6

1. Conformed standards

None: no standard
 S: CE (EN50178)

2. Power Ratings

015: 15 W
 035: 35 W
 050: 50 W
 100: 100 W
 150: 150 W
 350: 350 W

3. Output Voltage

05: 5 V
 12: 12 V
 24: 24 V
 48: 48 V

4. Configuration

C: Covered

5. Configuration/mounting

None: Bottom-mounting
 D: DIN Rail-mounting

6. Input Voltage

None/AC2: 200 to 240 VAC

Line-up & Feature

S8JC-Z series (15/35/50/100/150/350-W models)

Voltage	Power ratings					
	15 W	35 W	50 W	100 W	150 W	350 W
5 V	●	●	●	●	●	New
12 V	●	●	●	●	●	New
24 V	●	●	●	●	●	●
48 V	●	●	●	●	●	—

For More application !

- More Output Voltage Specifications from 5 V to 48 V
- Various power rating range from 15 W to 350 W

S8JC-ZS series (15/35/50/100/150-W models)

Voltage	Power ratings					
	15 W	35 W	50 W	100 W	150 W	350 W
5 V	●	●	●	●	●	New
12 V	●	●	●	●	●	New
24 V	●	●	●	●	●	New

For More reliability !

- Conformed to CE marking
- Expanded operating temperature: -20°C to +70°C
- Improved Dielectric strength

S8JC-Z

Ordering Information

List of Models in S8JC-Z Series

Note: For details on normal stock models, contact your nearest OMRON representative.

Conformed standard	Configuration		Input voltage	Power ratings	Output voltage	Output current	Model
None	Covered Power Supplies	Bottom-mounting	200 to 240 VAC	15 W	5 VDC	3.0 A	S8JC-Z01505C
					12 VDC	1.3 A	S8JC-Z01512C
					24 VDC	0.7 A	S8JC-Z01524C
					48 VDC	0.35 A	S8JC-Z01548C
				35 W	5 VDC	7.0 A	S8JC-Z03505C
					12 VDC	3.0 A	S8JC-Z03512C
					24 VDC	1.5 A	S8JC-Z03524C
					48 VDC	0.75 A	S8JC-Z03548C
				50 W	5 VDC	10.0 A	S8JC-Z05005C
					12 VDC	4.2 A	S8JC-Z05012C
					24 VDC	2.1 A	S8JC-Z05024C
					48 VDC	1.1 A	S8JC-Z05048C
				100 W	5 VDC	20.0 A	S8JC-Z10005C
					12 VDC	8.5 A	S8JC-Z10012C
					24 VDC	4.5 A	S8JC-Z10024C
					48 VDC	2.3 A	S8JC-Z10048C
				150 W	5 VDC	30.0 A	S8JC-Z15005C
					12 VDC	12.5 A	S8JC-Z15012C
					24 VDC	6.5 A	S8JC-Z15024C
					48 VDC	3.3 A	S8JC-Z15048C
				350 W	5 VDC	50.0 A	S8JC-Z35005C
					12 VDC	29.0 A	S8JC-Z35012C
					24 VDC	14.6 A	S8JC-Z35024C
					DIN Rail-mounting	15 W	5 VDC
	12 VDC	1.3 A		S8JC-Z01512CD			
	24 VDC	0.7 A		S8JC-Z01524CD			
	48 VDC	0.35 A		S8JC-Z01548CD			
	35 W	5 VDC		7.0 A		S8JC-Z03505CD	
		12 VDC		3.0 A		S8JC-Z03512CD	
		24 VDC		1.5 A		S8JC-Z03524CD	
		48 VDC		0.75 A		S8JC-Z03548CD	
	50 W	5 VDC		10.0 A		S8JC-Z05005CD	
		12 VDC		4.2 A		S8JC-Z05012CD	
		24 VDC		2.1 A		S8JC-Z05024CD	
		48 VDC		1.1 A		S8JC-Z05048CD	
	100 W	5 VDC		20.0 A	S8JC-Z10005CD		
		12 VDC		8.5 A	S8JC-Z10012CD		
		24 VDC		4.5 A	S8JC-Z10024CD		
		48 VDC		2.3 A	S8JC-Z10048CD		
	150 W	5 VDC		30.0 A	S8JC-Z15005CD		
		12 VDC		12.5 A	S8JC-Z15012CD		
		24 VDC		6.5 A	S8JC-Z15024CD		
		48 VDC		3.3 A	S8JC-Z15048CD		
	350 W	5 VDC		50.0 A	S8JC-Z35005CD		
		12 VDC		29.0 A	S8JC-Z35012CD		
		24 VDC		14.6 A	S8JC-Z35024CD		

List of Models in S8JC-ZS Series

Note: For details on normal stock models, contact your nearest OMRON representative.

Comformed standard	Configuration		Input voltage	Power ratings	Output voltage	Output current	Models	
CE (EN50178)	Covered Power Supplies	Bottom-mounting	200 to 240 VAC	15 W	5 VDC	3.0 A	S8JC-ZS01505C-AC2	
					12 VDC	1.3 A	S8JC-ZS01512C-AC2	
					24 VDC	0.7 A	S8JC-ZS01524C-AC2	
				35 W	5 VDC	7.0 A	S8JC-ZS03505C-AC2	
					12 VDC	3.0 A	S8JC-ZS03512C-AC2	
					24 VDC	1.5 A	S8JC-ZS03524C-AC2	
				50 W	5 VDC	10.0 A	S8JC-ZS05005C-AC2	
					12 VDC	4.2 A	S8JC-ZS05012C-AC2	
					24 VDC	2.1 A	S8JC-ZS05024C-AC2	
				100 W	5 VDC	20.0 A	S8JC-ZS10005C-AC2	
					12 VDC	8.5 A	S8JC-ZS10012C-AC2	
					24 VDC	4.5 A	S8JC-ZS10024C-AC2	
				150 W	5 VDC	30.0 A	S8JC-ZS15005C-AC2	
					12 VDC	12.5 A	S8JC-ZS15012C-AC2	
					24 VDC	6.5 A	S8JC-ZS15024C-AC2	
				350 W	5 VDC	60.0 A	S8JC-ZS35005C-AC2	
					12 VDC	29.0 A	S8JC-ZS35012C-AC2	
					24 VDC	14.6 A	S8JC-ZS35024C-AC2	
	DIN Rail-mounting			200 to 240 VAC	15 W	5 VDC	3.0 A	S8JC-ZS01505CD-AC2
						12 VDC	1.3 A	S8JC-ZS01512CD-AC2
						24 VDC	0.7 A	S8JC-ZS01524CD-AC2
					35 W	5 VDC	7.0 A	S8JC-ZS03505CD-AC2
						12 VDC	3.0 A	S8JC-ZS03512CD-AC2
						24 VDC	1.5 A	S8JC-ZS03524CD-AC2
					50 W	5 VDC	10.0 A	S8JC-ZS05005CD-AC2
						12 VDC	4.2 A	S8JC-ZS05012CD-AC2
						24 VDC	2.1 A	S8JC-ZS05024CD-AC2
					100 W	5 VDC	20.0 A	S8JC-ZS10005CD-AC2
						12 VDC	8.5 A	S8JC-ZS10012CD-AC2
						24 VDC	4.5 A	S8JC-ZS10024CD-AC2
					150 W	5 VDC	30.0 A	S8JC-ZS15005CD-AC2
						12 VDC	12.5 A	S8JC-ZS15012CD-AC2
						24 VDC	6.5 A	S8JC-ZS15024CD-AC2
					350 W	5 VDC	60.0 A	S8JC-ZS35005CD-AC2
						12 VDC	29.0 A	S8JC-ZS35012CD-AC2
						24 VDC	14.6 A	S8JC-ZS35024CD-AC2

S8JC-Z

Ratings, Characteristics, and Functions

15-/35-W Models

Power ratings		15 W							35 W							
		S8JC-Z				S8JC-ZS			S8JC-Z				S8JC-ZS			
Item	Series name	---							CE (EN50178)							
Certification		---							CE (EN50178)							
Output	Output voltage (VDC)	5 V	12 V	24 V	48 V	5 V	12 V	24 V	5 V	12 V	24 V	48 V	5 V	12 V	24 V	
	Output current	3.0 A	1.3 A	0.7 A	0.35 A	3.0 A	1.3 A	0.7 A	7.0 A	3.0 A	1.5 A	0.75 A	7.0 A	3.0 A	1.5 A	
	Voltage adjustment range (typical)	-10% to 10%							-10% to 10%							
	Ripple (typical)	100 mV			200 mV	70 mV	60 mV	50 mV	100 mV		150 mV	200 mV	40 mV	100 mV	100 mV	
	Startup time (typical)	300 ms				260 ms	270 ms	300 ms	300 ms				240 ms	260 ms	300 ms	
Hold time (typical)	50 ms				50 ms	65 ms	50 ms	30 ms				30 ms	35 ms	40 ms		
Efficiency (typical)		74%	80%	86%	76%	80%	75%	82%	84%	88%	76%	83%	84%			
Input	Voltage	200 to 240 VAC (185 to 264 VAC)							200 to 240 VAC (185 to 264 VAC)							
	Frequency 50/60 Hz (47 to 63 Hz)	50/60 Hz (47 to 64 Hz)							50/60 Hz (47 to 64 Hz)							
	Current (typical)	0.22 A							0.5 A							
	Leakage current	1 mA max.							1 mA max.							
	Inrush current (for a cold start at 25°C) (typical)	40 A							40 A							
Additional functions	Overload protection	105% of rated load current, voltage drop, intermittent, automatic reset							105% of rated load current, voltage drop, intermittent, automatic reset							
	Overvoltage protection	Yes							Yes							
	Parallel operation	No							No							
	Series operation	No							No							
Other	Ambient operating temperature *Refer to the derating curve in Engineering Data		*-10°C to 60°C				*-20°C to 70°C			*-10°C to 60°C				*-20°C to 70°C		
	Dielectric strength (detection current: 20 mA)	Between all inputs and outputs	1.5 kVAC for 1 min.				3 kVAC for 1 min.			1.5 kVAC for 1 min.				3 kVAC for 1 min.		
		Between all inputs and PE terminals	1.5 kVAC for 1 min.				2 kVAC for 1 min.			1.5 kVAC for 1 min.				2 kVAC for 1 min.		
		Between all outputs and PE terminals	0.5 kVAC for 1 min.				1 kVAC for 1 min.			0.5 kVAC for 1 min.				1 kVAC for 1 min.		
	Vibration resistance		10 to 55 Hz, 0.26-mm single amplitude for 2 h each in X, Y, and Z directions							10 to 55 Hz, 0.26-mm single amplitude for 2 h each in X, Y, and Z directions						
	MTBF		135,000 hrs							135,000 hrs						
	Warranty		1 year				2 years			1 year				2 years		
	Output indicator		Yes (Color: Green)							Yes (Color: Green)						
	Dimensions (W×H×D)	Bottom-mounting model	36×97×80 mm							38×98×129 mm						
		DIN Rail-mounting model (See note 3.)	46×97×105 mm							46×98×154 mm						
Weight (typical)	Bottom-mounting model	190 g				200 g			280 g							
	DIN Rail-mounting model	360 g				370 g			450 g							

- Note:**
1. Unless otherwise specified, all parameters are measured with a 230-VAC input, at the rated load, and at an ambient temperature of 25°C.
 2. Ripple and noise are measured at a bandwidth of 20 MHz.
 3. Refer to the dimensional diagrams for details on DIN Rail-mounting Models (excluding terminal blocks and DIN Rail products).

50-/100-W Models

Power ratings		50 W							100 W								
Item	Series name	S8JC-Z				S8JC-ZS			S8JC-Z				S8JC-ZS				
Certification		---				CE (EN50178)			---				CE (EN50178)				
Output	Output voltage (VDC)	5 V	12 V	24 V	48 V	5 V	12 V	24 V	5 V	12 V	24 V	48 V	5 V	12 V	24 V		
	Output current	10.0 A	4.2 A	2.1 A	1.1 A	10 A	4.2 A	2.1 A	20 A	8.5 A	4.5 A	2.3 A	20 A	8.5 A	4.5 A		
	Voltage adjustment range (typical)	-10% to 10%							-10% to 10%								
	Ripple (typical)	150 mV		100 mV	200 mV	80 mV	60 mV	50 mV	130 mV	120 mV	100 mV	200 mV	160 mV	140 mV	150 mV		
	Startup time (typical)	300 ms				240 ms	260 ms	300 ms	300 ms		700 ms	600 ms	250 ms	270 ms	300 ms		
	Hold time (typical)	50 ms				35 ms	40 ms	30 ms	50 ms				50 ms	55 ms	50 ms		
Efficiency (typical)		76%	83%	84%	86%	75%	83%		78%	85%	86%	87%	77%	81%	87%		
Input	Voltage	200 to 240 VAC (185 to 264 VAC)							200 to 240 VAC (185 to 264 VAC)								
	Frequency 50/60 Hz (47 to 63 Hz)	50/60 Hz (47 to 64 Hz)							50/60 Hz (47 to 64 Hz)								
	Current (typical)	0.65 A							1.4 A								
	Leakage current	1 mA max.							1 mA max.								
	Inrush current (for a cold start at 25°C) (typical)	40 A							40 A								
Additional functions	Overload protection	105% of rated load current, voltage drop, intermittent, automatic reset							105% of rated load current, voltage drop, intermittent, automatic reset								
	Overvoltage protection	Yes							Yes								
	Parallel operation	No							No								
	Series operation	No							No								
Other	Ambient operating temperature *Refer to the derating curve in Engineering Data	*-10°C to 60°C				*-20°C to 70°C			*-10°C to 60°C				*-20°C to 70°C				
	Dielectric strength (detection current: 20 mA)	Between all inputs and outputs	1.5 kVAC for 1 min.				3 kVAC for 1 min.			1.5 kVAC for 1 min.				3 kVAC for 1 min.			
		Between all inputs and PE terminals	1.5 kVAC for 1 min.				2 kVAC for 1 min.			1.5 kVAC for 1 min.				2 kVAC for 1 min.			
		Between all outputs and PE terminals	0.5 kVAC for 1 min.				1 kVAC for 1 min.			0.5 kVAC for 1 min.				1 kVAC for 1 min.			
	Vibration resistance	10 to 55 Hz, 0.26-mm single amplitude for 2h each in X, Y, and Z directions							10 to 55 Hz, 0.26-mm single amplitude for 2h each in X, Y, and Z directions								
	MTBF	135,000 hrs							135,000 hrs								
	Warranty	1 year				2 years			1 year				2 years				
	Output indicator	Yes (Color: Green)							Yes (Color: Green)								
	Dimensions (W×H×D)	Bottom-mounting model	38×98×129 mm							50×98×159 mm	38×98×159 mm			50×98×159 mm	38×98×159 mm		
		DIN Rail-mounting model (See note 3.)	46×98×154 mm							52×98×185 mm	46×98×185 mm			52×98×186 mm	46×98×186 mm		
Weight (typical)	Bottom-mounting model	280 g							430 g	370 g	350 g	370 g	440 g	380 g	370 g		
	DIN Rail-mounting model	450 g							600 g	540 g	520 g	540 g	620 g	550 g	540 g		

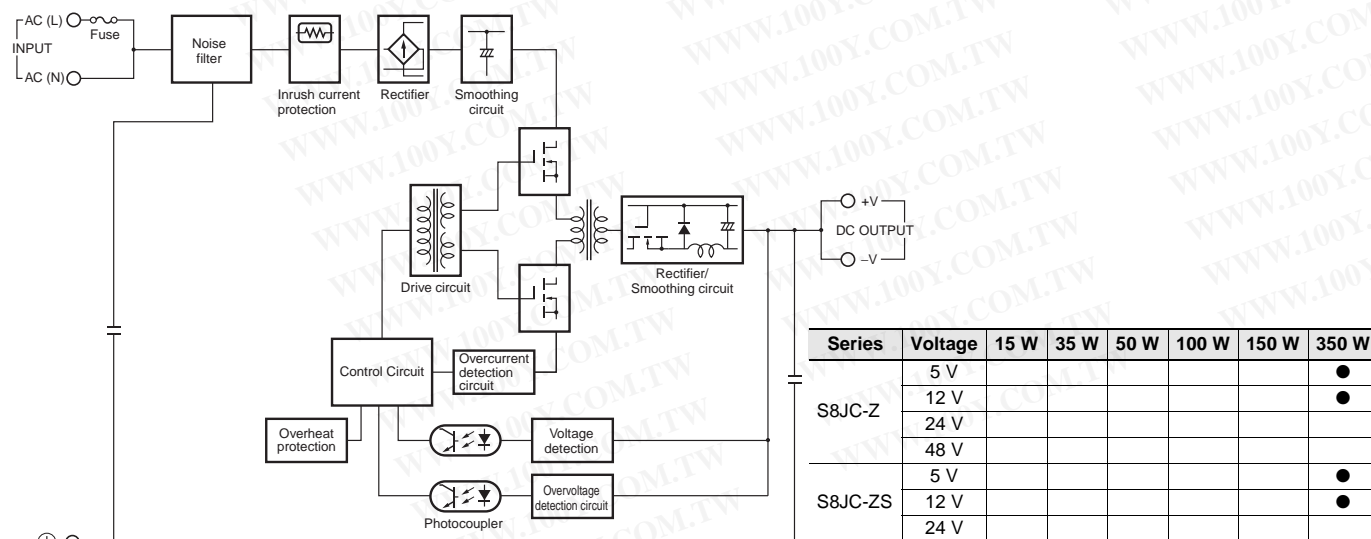
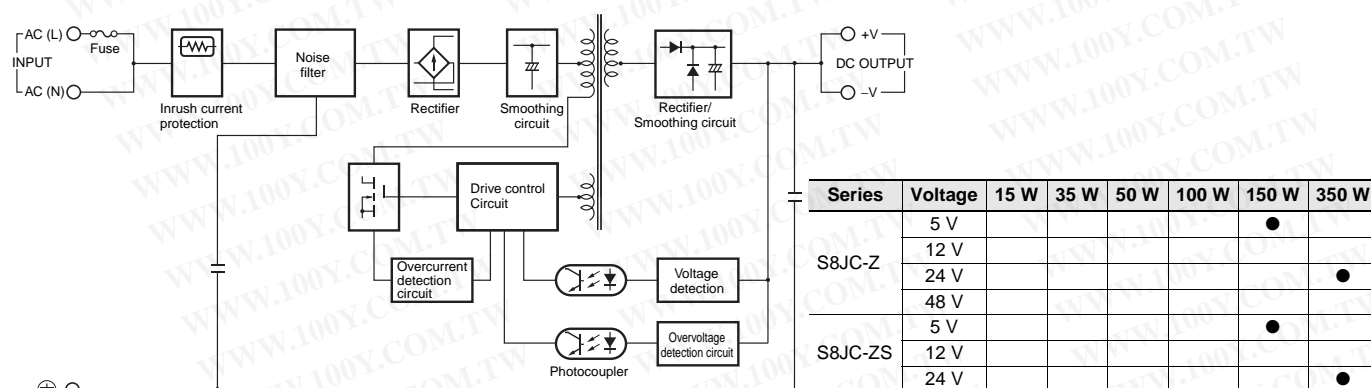
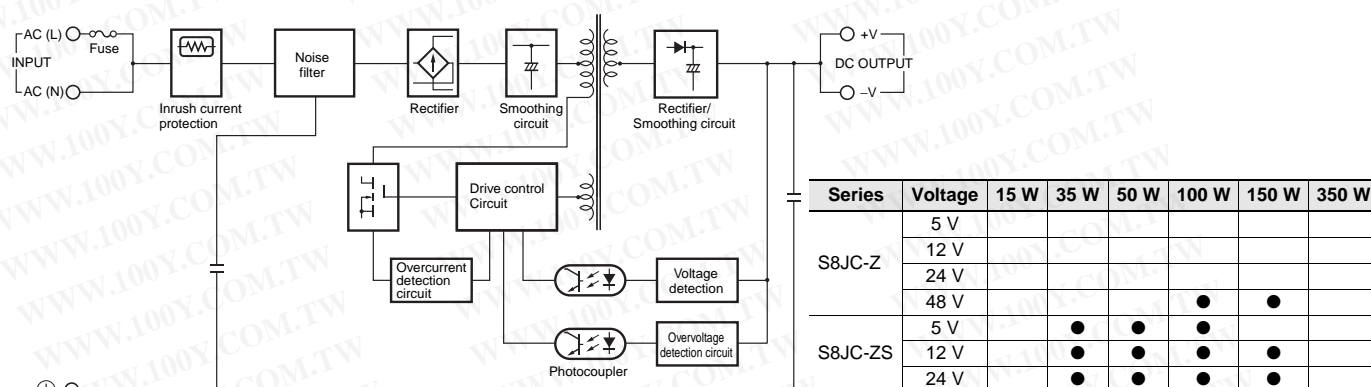
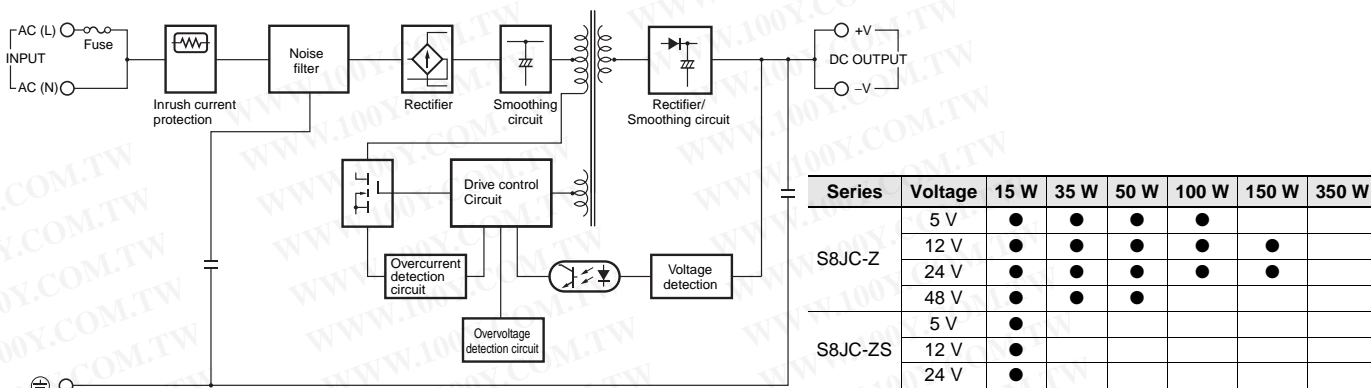
- Note:**
- Unless otherwise specified, all parameters are measured with a 230-VAC input, at the rated load, and at an ambient temperature of 25°C.
 - Ripple and noise are measured at a bandwidth of 20 MHz.
 - Refer to the dimensional diagrams for details on DIN Rail-mounting Models (excluding terminal blocks and DIN Rail products).

150-/350-W Models

Item		Power ratings		150 W						350 W						
		Series name		S8JC-Z			S8JC-ZS			S8JC-Z			S8JC-ZS			
Certification		---			CE (EN50178)						---			CE (EN50178)		
Output	Output voltage (VDC)	5 V	12 V	24 V	48 V	5 V	12 V	24 V	5 V	12 V	24 V	5 V	12 V	24 V		
	Output current	30 A	12.5 A	6.5 A	3.3 A	30 A	12.5 A	4.5 A	50 A	29 A	14.6 A	60 A	29 A	14.6 A		
	Voltage adjustment range (typical)	-10% to 10%						-10% to 10%								
	Ripple (typical)	140 mV	180 mV	150 mV	300 mV	210 mV	210 mV	200 mV	300 mV	240 mV	200 mV	300 mV	240 mV	200 mV		
	Startup time (typical)	300 ms			750 ms	250 ms	750 ms	300 ms	700 ms	700 ms	300 ms	700 ms	700 ms	300 ms		
	Hold time (typical)	50 ms				50 ms	70 ms	60 ms	25 ms							
Efficiency (typical)		79%	85%	88%	86%	79%	85%	87%	77%	78%	84%	75%	78%	84%		
Input	Voltage	200 to 240 VAC (185 to 264 VAC)						200 to 240 VAC (185 to 264 VAC)								
	Frequency 50/60 Hz (47 to 63 Hz)	50/60 Hz (47 to 64 Hz)						40/60 Hz (47 to 64 Hz)								
	Current (typical)	2.0 A						4.2 A								
	Leakage current	1 mA max.						1 mA max.								
	Inrush current (for a cold start at 25°C) (typical)	40 A						40 A								
Additional functions	Overload protection	105% of rated load current, voltage drop, intermittent, automatic reset						105% of rated load current, voltage drop, intermittent, automatic reset								
	Overvoltage protection	Yes						Yes								
	Parallel operation	No						No								
	Series operation	No						No								
Other	Ambient operating temperature *Refer to the derating curve in Engineering Data		*-10°C to 60°C			*-20°C to 70°C			*-10°C to 60°C			*-20°C to 70°C				
	Dielectric strength (detection current: 20 mA)	Between all inputs and outputs	1.5 kVAC for 1 min.			3 kVAC for 1 min.			1.5 kVAC for 1 min.			3 kVAC for 1 min.				
		Between all inputs and PE terminals	1.5 kVAC for 1 min.			2 kVAC for 1 min.			1.5 kVAC for 1 min.			2 kVAC for 1 min.				
		Between all outputs and PE terminals	0.5 kVAC for 1 min.			1 kVAC for 1 min.			0.5 kVAC for 1 min.			1 kVAC for 1 min.				
	Vibration resistance		10 to 55 Hz, 0.26-mm single amplitude for 2h each in X, Y, and Z directions						10 to 55 Hz, 0.26-mm single amplitude for 2h each in X, Y, and Z directions							
	MTBF		135,000 hrs						135,000 hrs							
	Warranty		1 year			2 years			1 year			2 year				
	Output indicator		Yes (Color: Green)						Yes (Color: Green)							
	Dimensions (W×H×D)	Bottom-mounting model	43×98×199 mm	50×98×159 mm			43×98×199 mm	50×98×159 mm			50×115×195 mm					
		DIN Rail-mounting model (See note 3.)	46×98×225 mm	52×98×185 mm			46×98×226 mm	52×98×186 mm			52×115×221 mm					
Weight (typical)	Bottom-mounting model	580 g	530 g	450 g	560 g	530 g	450 g	753 g	766 g	750 g	788 g	800 g	774 g			
	DIN Rail-mounting model	750 g	700 g	620 g	750 g	700 g	620 g	911 g	924 g	920 g	946 g	958 g	932 g			

- Note:**
- Unless otherwise specified, all parameters are measured with a 230-VAC input, at the rated load, and at an ambient temperature of 25°C.
 - Ripple and noise are measured at a bandwidth of 20 MHz.
 - Refer to the dimensional diagrams for details on DIN Rail-mounting Models (excluding terminal blocks and DIN Rail products).

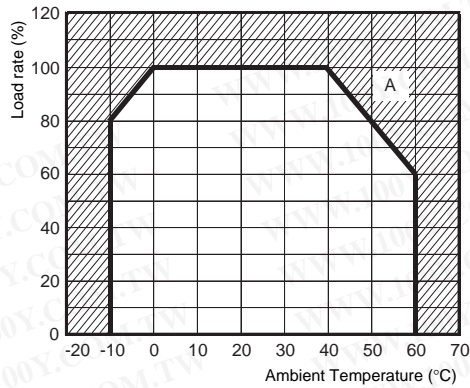
Block Diagrams



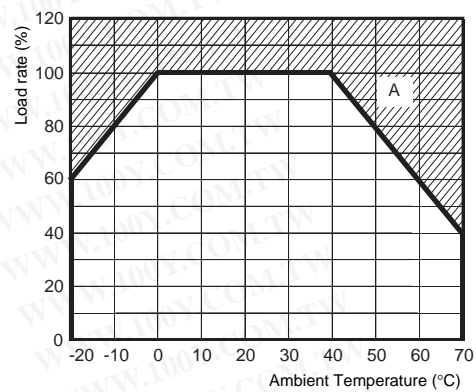
S8JC-Z

Engineering Data

Derating Curves for S8JC-Z



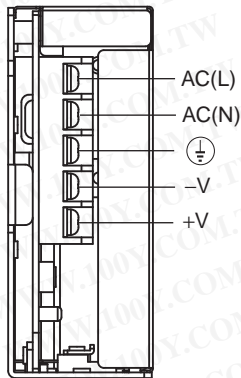
Derating Curves for S8JC-ZS



- Note:**
- Internal parts may occasionally deteriorate or be damaged. Do not use the Power Supply in areas outside the derating curve (i.e., the area shown by shading "A" in the above graph).
 - If there is a derating problem, use forced air-cooling.

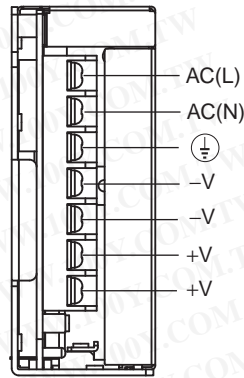
Terminal Arrangement

15-/35-/50-W Models



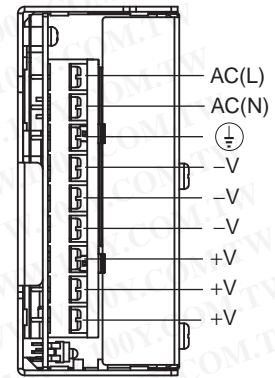
Note: The S8JC-Z05024C is shown above.

100-/150-/350(24 V)-W Models



- Note:**
- The S8JC-Z10024C is shown above.
 - The rated current for output terminals is 25 A per terminal. Be sure to use multiple terminals simultaneously for current that exceeds the terminal rating. When applying a current of 25 A or more, use at least two terminals each for the positive and negative wires.

350(5 V, 12 V)-W Models

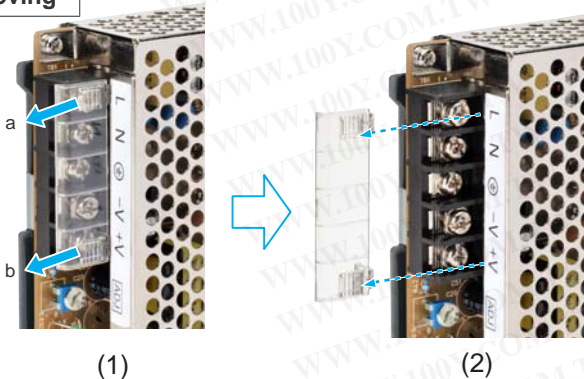


Note: The S8JC-Z35005C is shown above.

Terminal Cover Fitting

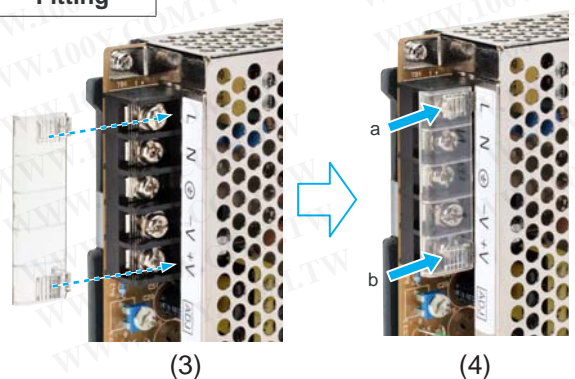
S8JC-ZS□□□□C Models

Removing



S8JC-ZS□□□□C Models

Fitting



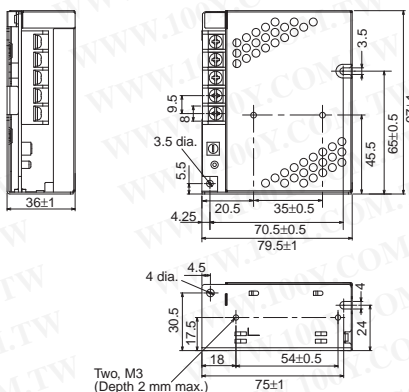
- In (1) case, please push scratched parts (a, b) on the cover following the arrow "←"
 In (2) case, please remove the cover following the arrow "←·····"
 In (3) case, please remove the cover following the arrow "·····→"
 In (4) case, please push scratched parts (a, b) on the cover following the arrow "→"

Dimensions

Bottom-mounting Models

S8JC-Z015□□C (15 W)

S8JC-ZS015□□C-AC2 (15 W)



Panel mounting holes dimensions

	Surface screw mounting
Side Mounting	
Bottom Mounting	

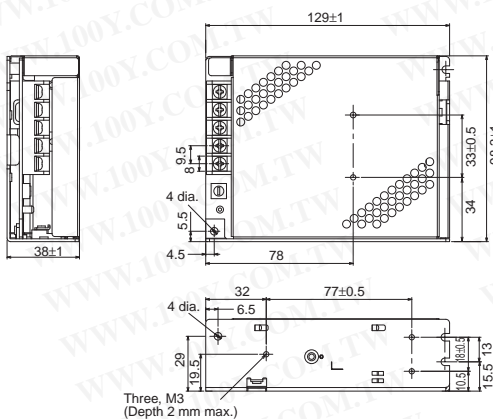
Note: The screws must not protrude more than 2 mm inside the Power Supply when screw holes provided on the chassis are used. If the dimensions are not correct, the Power Supply may be damaged.

S8JC-Z035□□C (35 W)

S8JC-ZS035□□C-AC2 (35 W)

S8JC-Z050□□C (50 W)

S8JC-ZS050□□C-AC2 (50 W)



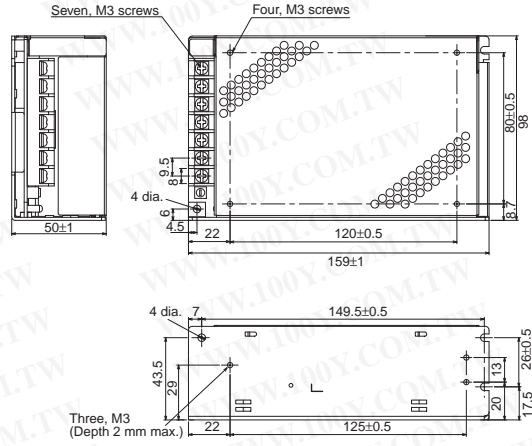
Panel mounting holes dimensions

	Surface screw mounting
Side Mounting	
Bottom Mounting	

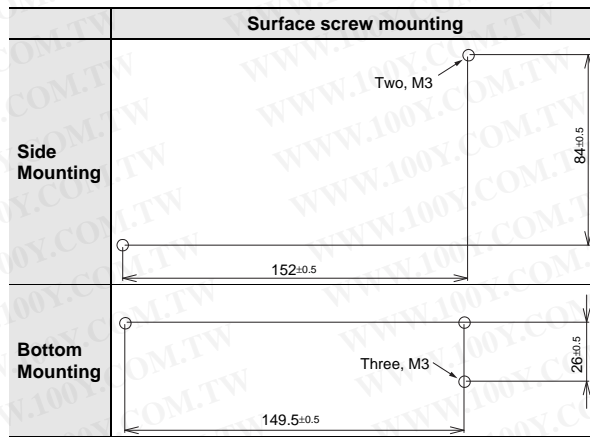
S8JC-Z

S8JC-Z10005C (100 W)

S8JC-ZS10005C-AC2 (100 W)



Panel mounting holes dimensions



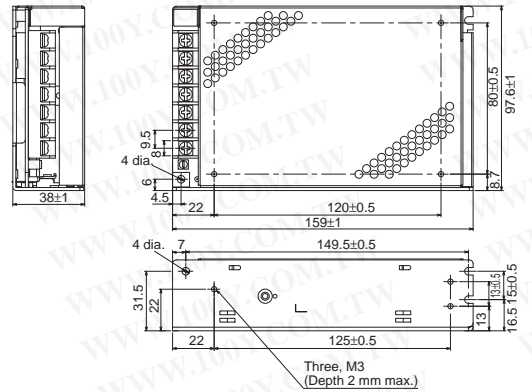
S8JC-Z10012C (100 W)

S8JC-ZS10012C-AC2 (100 W)

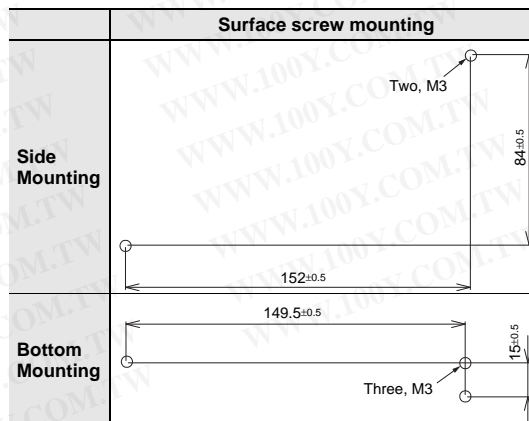
S8JC-Z10024C (100 W)

S8JC-ZS10024C-AC2 (100 W)

S8JC-Z10048C (100 W)



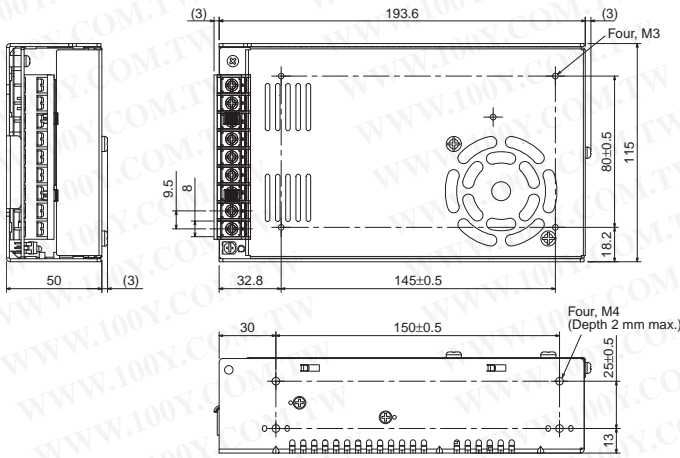
Panel mounting holes dimensions



S8JC-Z

S8JC-Z35005C (350 W)
S8JC-Z35012C (350 W)

S8JC-ZS35005C-AC2 (350 W)
S8JC-ZS35012C-AC2 (350 W)

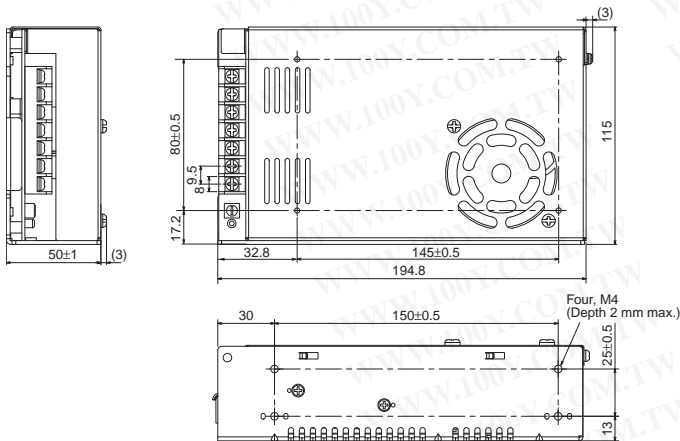


Panel mounting holes dimensions

	Surface screw mounting
Side Mounting	<p>145±0.5 80±0.5 Four, M3</p>
Bottom Mounting	<p>150±0.5 25±0.5 Four, M4</p>

S8JC-Z35024C (350 W)

S8JC-ZS35024C-AC2 (350 W)

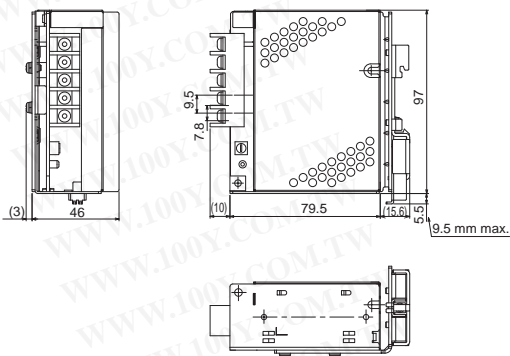


Panel mounting holes dimensions

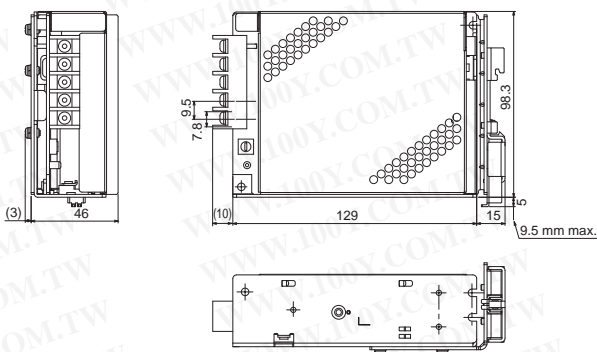
	Surface screw mounting
Side Mounting	<p>145±0.5 80±0.5 Four, M3</p>
Bottom Mounting	<p>150±0.5 25±0.5 Four, M4</p>

DIN Rail-mounting Models

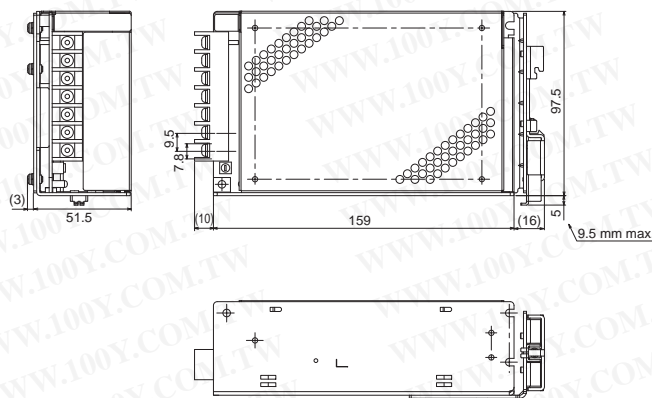
S8JC-Z015□□CD (15 W) S8JC-ZS01524CD-AC2 (15 W)



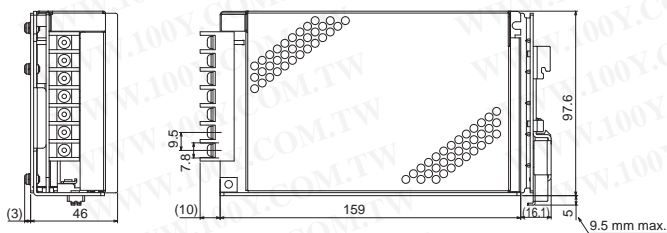
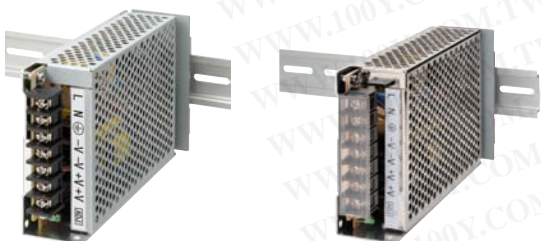
S8JC-Z035□□CD (35 W) S8JC-ZS035□□CD-AC2 (35 W)
 S8JC-Z050□□CD (50 W) S8JC-ZS050□□CD-AC2 (50 W)



S8JC-Z10005CD (100 W) S8JC-ZS10005CD-AC2 (100 W)

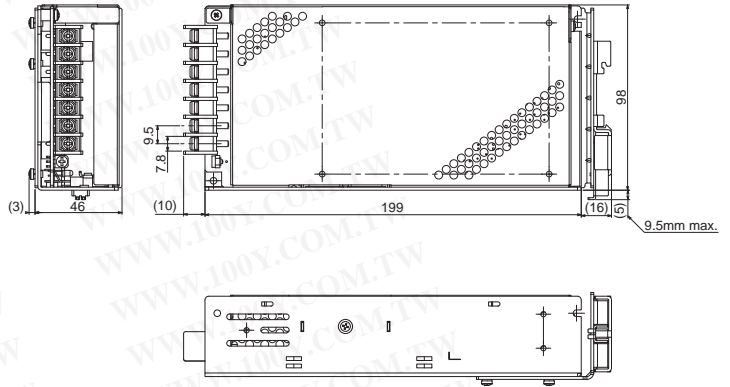


S8JC-Z10012CD (100 W) S8JC-ZS10012CD-AC2 (100 W)
 S8JC-Z10024CD (100 W) S8JC-ZS10024CD-AC2 (100 W)
 S8JC-Z10048CD (100 W)

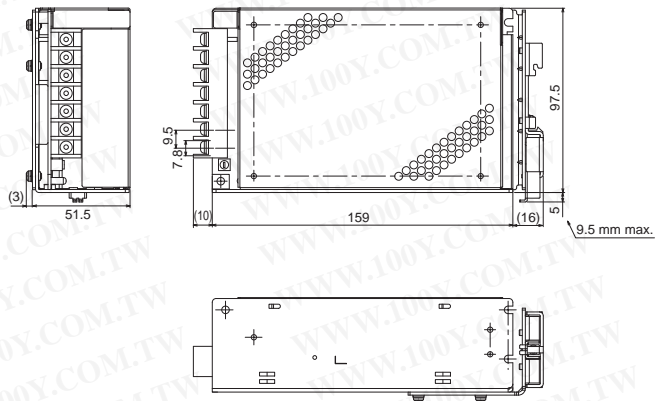


S8JC-Z

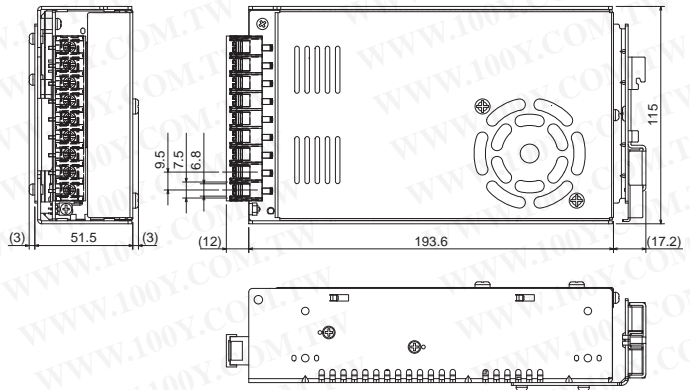
S8JC-Z15005CD (150 W) S8JC-ZS15005CD-AC2 (150W)



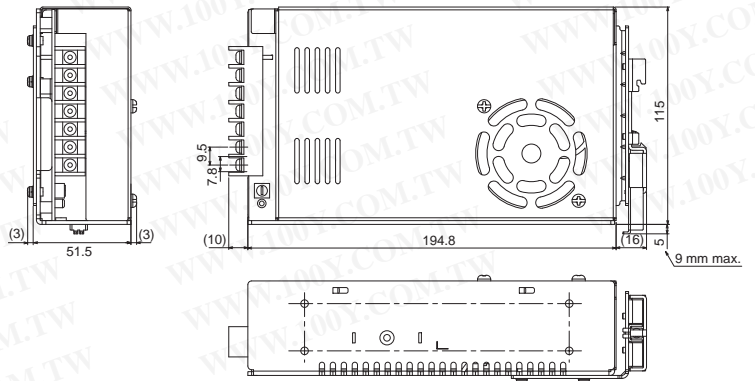
S8JC-Z15012CD (150 W) S8JC-ZS15012CD-AC2 (150 W)
S8JC-Z15024CD (150 W) S8JC-ZS15024CD-AC2 (150 W)
S8JC-Z15048CD (150 W)



S8JC-Z35005CD (350 W) S8JC-ZS35005CD-AC2 (350 W)
S8JC-Z35012CD (350 W) S8JC-ZS35012CD-AC2 (350 W)



S8JC-Z35024CD (350 W) S8JC-ZS35024CD-AC2 (350 W)



Safety Precautions

Refer to *Safety Precautions for All Power Supplies.*

Precautions for Safe Use

- Minor burns may occasionally occur. Do not touch the Product while power is being supplied or immediately after power is turned OFF.
- Minor injury due to electric shock may occasionally occur. Do not touch the terminals while power is being supplied.
- Take adequate measures to ensure proper heat dissipation to increase the long-term reliability of the Product.
- Connect the ground completely. Electric shock or malfunction may occur if the ground is not connected completely.
- The service life of the fan is approximately 35,000 hours (at 25°C). The service life varies, however, depending on the ambient temperature or other surrounding environmental conditions such as dust. As a guide, replace the product within two years if it is used at an ambient temperature of 40°C. (For 350-W Models only.)
- The screws must not protrude more than 2 mm inside the Power Supply when screw holes provided on the chassis are used.
- Avoid places where the product is subjected to penetration of liquid, foreign substance, or corrosive gas (in particular, sulfide gas or ammonia gas).
- The rated current for output terminals is 25 A per terminal. Be sure to use multiple terminals simultaneously for current that exceeds the terminal rating. When applying a current of 25 A or more, use at least two terminals each for the positive and negative wires.

勝特力材料 886-3-5753170

勝特力电子(上海) 86-21-34970699

勝特力电子(深圳) 86-755-83298787

[Http://www.100y.com.tw](http://www.100y.com.tw)