



- Features :
  - 2:1 wide input range
  - 1500VDC I/O isolation
  - Built-in remote ON/OFF control
  - Built-in EMI filter
  - Protections: Short circuit / Overload
  - Cooling by free air convection
  - Five-sided shield metal case
  - 100% full load burn-in test
  - Low cost / High reliability
  - 2 years warranty

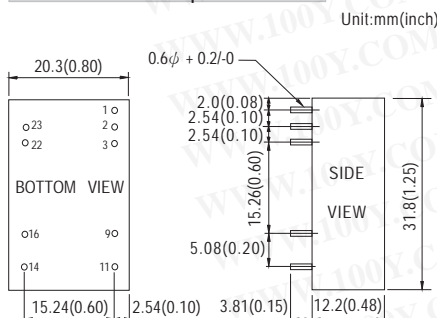
勝特力材料 886-3-5753170  
 勝特力电子(上海) 86-21-34970699  
 勝特力电子(深圳) 86-755-83298787  
[Http://www.100y.com.tw](http://www.100y.com.tw)



## SPECIFICATION

ORDER NO.	DCW12A-05	DCW12B-05	DCW12C-05	DCW12A-12	DCW12B-12	DCW12C-12	DCW12A-15	DCW12B-15	DCW12C-15	
OUTPUT	DC VOLTAGE	±5V			±12V			±15V		
	CURRENT RANGE	±240 ~ ±1200mA			±100~ ±500mA			±80 ~ ±400mA		
	RATED POWER	12W								
	RIPPLE & NOISE (max.) Note.2	50mVp-p			60mVp-p			60mVp-p		
	LINE REGULATION Note.3	±0.5%								
	LOAD REGULATION Note.4	±0.5%								
	VOLTAGE ACCURACY	±2.0%								
	SWITCHING FREQUENCY	400KHz min.								
INPUT	EXTERNAL CAPACITANCE LOAD (max.)	670uF			100uF			47uF		
	VOLTAGE RANGE	A: 9 ~ 18VDC B: 18 ~ 36VDC C: 36 ~ 72VDC								
	EFFICIENCY (Typ.)	80%	80%	81%	84%	84%	84%	83%	84%	83%
	DC CURRENT	Full load	A: 1245mA	B: 625mA	C: 320mA					
	No load	A: 70mA	B: 35mA	C: 25mA						
PROTECTION	Pi network									
PROTECTION Note.5	OVERLOAD	110 ~ 180% rated output load Protection type : Hiccup mode, recovers automatically after fault condition is removed								
	SHORT CIRCUIT	All output equipped with over current protection Protection type : Hiccup mode, recovers automatically after fault condition is removed								
ENVIRONMENT	WORKING TEMP.	-40 ~ +71°C (Refer to "Derating Curve")								
	WORKING HUMIDITY	20% ~ 90% RH non-condensing								
	STORAGE TEMP., HUMIDITY	-40 ~ +105°C, 10 ~ 95% RH								
	TEMP. COEFFICIENT	±0.05% / °C (0 ~ 50°C)								
SAFETY & EMC	VIBRATION	10 ~ 500Hz, 2G 10min./1cycle, period for 60min. each along X, Y, Z axes								
	WITHSTAND VOLTAGE	I/P-O/P: 1.5KVDC								
	ISOLATION RESISTANCE	I/P-O/P: 100M Ohms / 500VDC / 25°C / 70% RH								
	ISOLATION CAPACITANCE	2200pF max.								
	EMC EMISSION	Compliance to EN55022 Class A, FCC part 15 Class A								
OTHERS	EMC IMMUNITY	Compliance to EN61000-4-2,3,4,5,6,8, light industry level, criteria A								
	REMOTE CONTROL	Power ON: R.C. --Vin > 4VDC or open ; Power OFF: R.C. --Vin < 1VDC or short								
	MTBF	600Khrs min. MIL-HDBK-217F (25°C)								
	DIMENSION	31.8*20.3*12.2mm (L*W*H) or 1.25**0.80**0.48" inch (L*W*H)								
PACKING	18.5g									

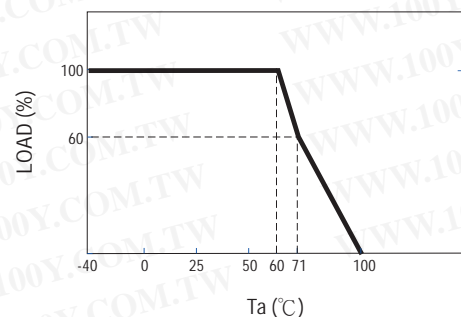
### Mechanical Specification



### Pin Configuration

Pin No.	Output
1	R.C.
2 & 3	-Vin
9	COM
11	-Vout
14	+Vout
16	COM
22 & 23	+Vin

### Derating Curve



### NOTE

- All parameters are specified at normal input, rated load, 25°C 70% RH ambient.
- Ripple & noise are measured at 20MHz by using a 12" twisted pair terminated with a 0.1uF & 47uF capacitor.
- Line regulation is measured from low line to high line at rated load.
- Load regulation is measured from 20% to 100% rated load.
- Please prevent the converter from operating in overload or short circuit condition for more than 30 seconds.