

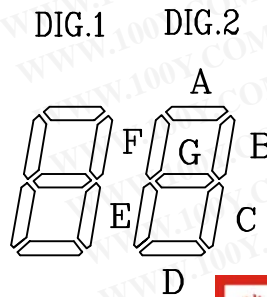
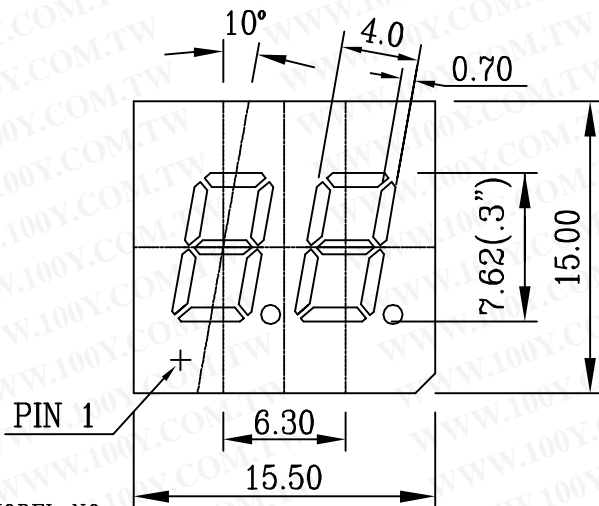


TAIWAN OASIS LED DATA SHEET

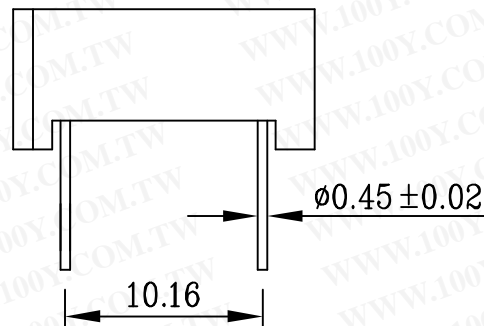
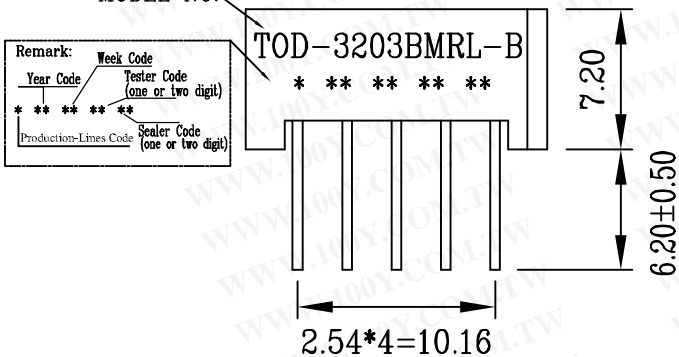
PART NO. : TOD-3203BMRL-B

APPEARANCE			TECHNOLOGIE	AlGaInP/GaAs
FACE	SEGMENT	PIN	SOURCE COLOR	Ultra-red
Black	white	∅0.45x10.28	DRIVER MODE	Com. Anode
			PACKING	TUBE(0053)

PACKAGE DIMENSIONS

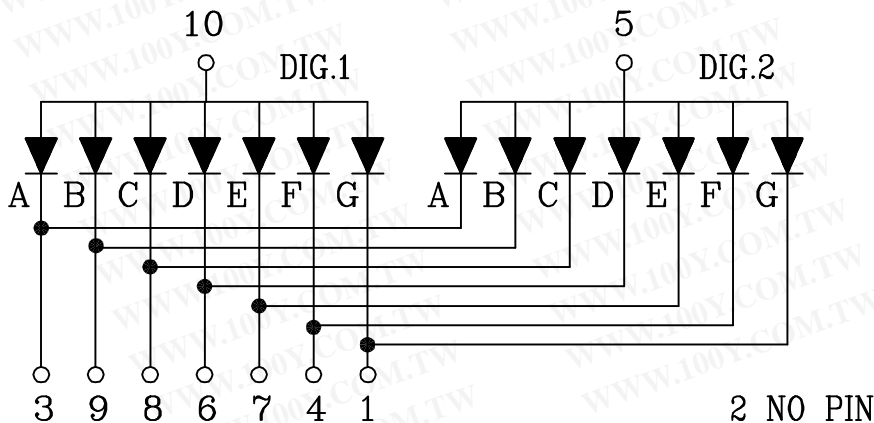


勝特力材料 886-3-5753170
 勝特力电子(上海) 86-21-54151736
 勝特力电子(深圳) 86-755-83298787
[Http://www.100y.com.tw](http://www.100y.com.tw)



NORMAL TOLERANCE:±0.25 ANGLE:±1°

INTERNAL CIRCUIT DIAGRAM



DATE	12/23/08'	SCALE	2:1	DRAWING NO.	S-3203BMRL-B-A	DRAWN	T.Y.Z	CHECKED	
UNIT	M/M	SHEET NO.	1/2			CUSTOMER	YT002	APPROVED	



TAIWAN OASIS LED DATA SHEET

勝特力材料 886-3-5753170
 勝特力电子(上海) 86-21-54151736
 勝特力电子(深圳) 86-755-83298787
[Http://www.100y.com.tw](http://www.100y.com.tw)

PART NO. : TOD-3203BMRL-B

ABSOLUTE MAXIMUM RATINGS AT TA=25°C

PARAMETER	VALUE	UNITS
Power Dissipation Per Segment	60	mW
Peak Forward Current Per Segment (1/10 Duty Cycle, 0.1ms Pulse Width)	80	mA
Continuous Forward Current Per Segment	20	mA
Recommend Operating Current	12	mA
Reverse Voltage Per Segment	5	V
Operating Temperature Range	-25 to +85	°C
Storage Temperature Range	-30 to +85	°C
Junction Temperature	>85	°C
Lead-Free Solder Temperature(1/16 Inch Below Seating Plane)	260°C for 3 sec.	

ELECTRICAL/OPTICAL CHARACTERISTICS AT TA=25°C

PARAMETER	SYMBOL	MIN.	TYP.	MAX.	UNITS	TEST CONDITION
Luminous Intensity Per Segment	I _v		15524		μcd	I _F =10mA
Dominant Emission Wavelength	λ _d		640		nm	I _F =20mA
Spectral Line Half-Width	Δλ		15		nm	I _F =20mA
Forward Voltage Per Segment	V _F	1.8	2.0	2.3	V	I _F =20mA
Reverse Current Per Segment	I _R			100	μA	V _R =5V
Luminous Intensity Matching Rate	I _{v-m}			2.0:1		I _F =20mA

Notes: Above specification may be changed without notice.

DATE	12/23/08'	SCALE	———	DRAWING NO.	S-3203BMRL-B-A	DRAWN	T.Y.Z	CHECKED	
UNIT	———	SHEET NO.	2/2			CUSTOMER	YT002	APPROVED	