

Proximity / Reflex Sensors  
Photoelectric proximity switch, Background  
suppression, Product group W4-3

WTB4S-3N1361

勝特力材料 886-3-5753170  
勝特力电子(上海) 86-21-34970699  
勝特力电子(深圳) 86-755-83298787  
[Http://www.100y.com.tw](http://www.100y.com.tw)



**Model Name** > [WTB4S-3N1361](#)  
**Part No.** > [1042046](#)

- Highly accurate adjustment of the scanning distance with 5-turn potentiometer
- Outstandingly visible and tightly defined light spot
- M3 metal threaded bushes provide added mechanical strength to the mounting holes



#### Product features

Sensing range min ... max:	10 mm ... 180 mm, 4 mm ... 180 mm
Adjustment:	Potentiometer, 5 revolutions
Light source:	PinPoint LED
Type of light:	Red light
Wave length:	650 nm
Light spot diameter:	6.5 mm at 70 mm distance

勝特力材料 886-3-5753170  
勝特力电子(上海) 86-21-34970699  
勝特力电子(深圳) 86-755-83298787  
[Http://www.100y.com.tw](http://www.100y.com.tw)

#### Technical data

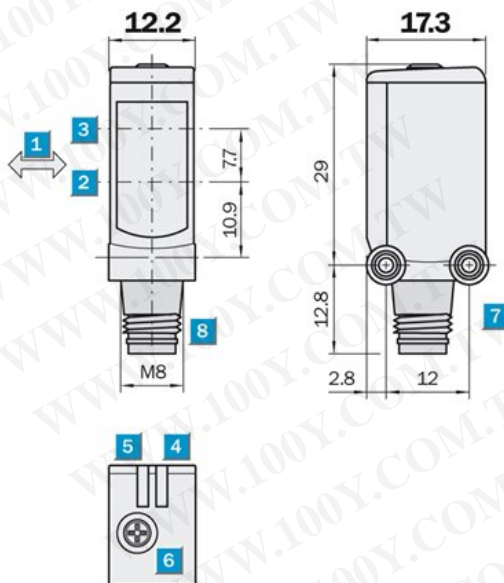
Design:	cuboid
Dimensions (W x H x D):	12.2 mm x 41.8 mm x 17.3 mm
Supply voltage min ... max:	DC 10 ... 30 V
Ripple:	< 5 Vpp
Current consumption:	≤ 30 mA
Switching output voltage:	NPN, Q
Switching output:	Light switching
Output current max.:	≤ 100 mA
Response time:	< 0.5 ms
Switching frequency:	1,000 Hz
Connection type:	cable, 2 m
Cable material:	PVC
Number of cores:	3
Conductor cross section:	0.14 mm <sup>2</sup>
Circuit protection:	V connections reverse-polarity protected/Output Q and Q not short-circuit protected/Interference suppression
Enclosure rating:	IP 66, IP 67
Ambient operation temperature, min ... max:	-40 °C ... +60 °C
Ambient storage temperature, min ... max:	-40 °C ... +75 °C
Weight:	ca. 20 g

Housing material:

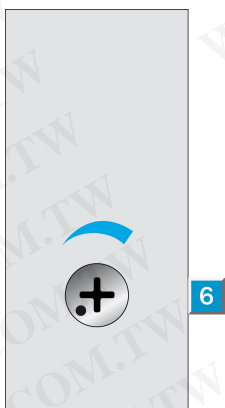
Bayblend

勝特力材料 886-3-5753170  
勝特力电子(上海) 86-21-34970699  
勝特力电子(深圳) 86-755-83298787  
[Http://www.100y.com.tw](http://www.100y.com.tw)

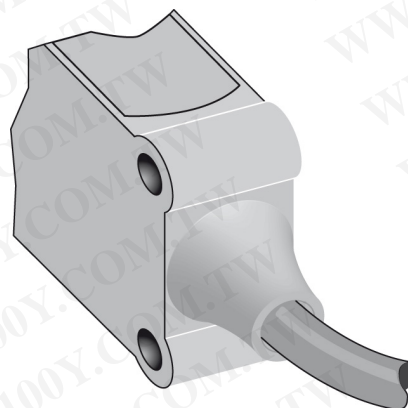
### Dimensional drawing



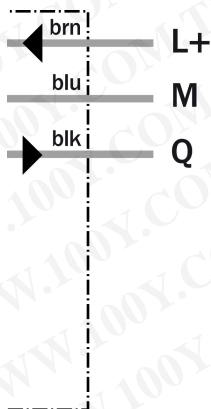
### Adjustment possible



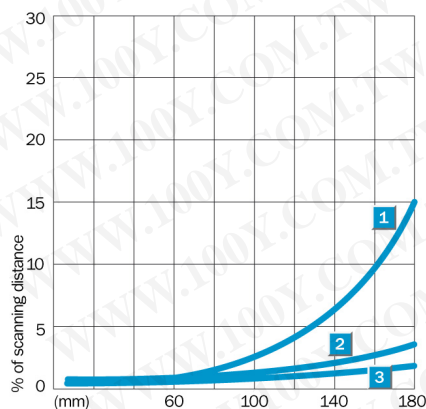
### Connection type



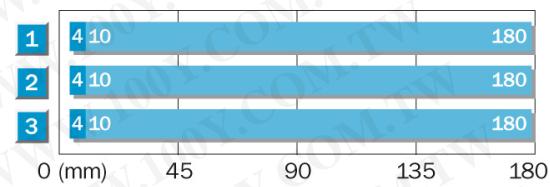
### Connection diagram



### % of scanning distance



## Sensing range diagram



■ Operating distance ■ Scanning distance typ. max.

勝特力材料 886-3-5753170  
勝特力电子(上海) 86-21-34970699  
勝特力电子(深圳) 86-755-83298787  
[Http://www.100y.com.tw](http://www.100y.com.tw)

1	Scanning distance on black, 6 % remission
2	Scanning distance on grey, 18 % remission
3	Scanning distance on white, 90 % remission

**Australia**

Phone +61 3 9497 4100  
1800 33 48 02 – tollfree  
E-Mail sales@sick.com.au

**Belgium/Luxembourg**

Phone +32 (0)2 466 55 66  
E-Mail info@sick.be

**Brasil**

Phone +55 11 3215-4900  
E-Mail sac@sick.com.br

**Ceská Republika**

Phone +420 2 57 91 18 50  
E-Mail sick@sick.cz

**China**

Phone +852-2763 6966  
E-Mail ghk@sick.com.hk

**Danmark**

Phone +45 45 82 64 00  
E-Mail sick@sick.dk

**Deutschland**

Phone +49 211 5301-301  
E-Mail kundenservice@sick.de

**España**

Phone +34 93 480 31 00  
E-Mail info@sick.es

**France**

Phone +33 1 64 62 35 00  
E-Mail info@sick.fr

**Great Britain**

Phone +44 (0)1727 831121  
E-Mail info@sick.co.uk

**India**

Phone +91-22-4033 8333  
E-Mail info@sick-india.com

**Israel**

Phone +972-4-999-0590  
E-Mail info@sick-sensors.com

**Italia**

Phone +39 02 27 43 41  
E-Mail info@sick.it

**Japan**

Phone +81 (0)3 3358 1341  
E-Mail support@sick.jp

**Nederlands**

Phone +31 (0)30 229 25 44  
E-Mail info@sick.nl

**Norge**

Phone +47 67 81 50 00  
E-Mail austefjord@sick.no

**Österreich**

Phone +43 (0)22 36 62 28 8-0  
E-Mail office@sick.at

**Polska**

Phone +48 22 837 40 50  
E-Mail info@sick.pl

**Republic of Korea**

Phone +82-2 786 6321/4  
E-Mail info@sickkorea.net

**Republika Slovenija**

Phone +386 (0)1-47 69 990  
E-Mail office@sick.si

**România**

Phone +40 356 171 120  
E-Mail office@sick.ro

**Russia**

Phone +7 495 775 05 34  
E-Mail info@sick-automation.ru

**Schweiz**

Phone +41 41 619 29 39  
E-Mail contact@sick.ch

**Singapore**

Phone +65 6744 3732  
E-Mail admin@sicksgp.com.sg

**Suomi**

Phone +358-9-25 15 800  
E-Mail sick@sick.fi

**Sverige**

Phone +46 10 110 10 00  
E-Mail info@sick.se

**Taiwan**

Phone +886 2 2375-6288  
E-Mail sales@sick.com.tw

**Türkiye**

Phone +90 216 587 74 00  
E-Mail info@sick.com.tr

**United Arab Emirates**

Phone +971 4 8865 878  
E-Mail info@sick.ae

**USA/Canada/México**

Phone +1(952) 941-6780  
1 800-325-7425 – tollfree  
E-Mail info@sickusa.com

More representatives and agencies  
in all major industrial nations at  
[www.sick.com](http://www.sick.com)