

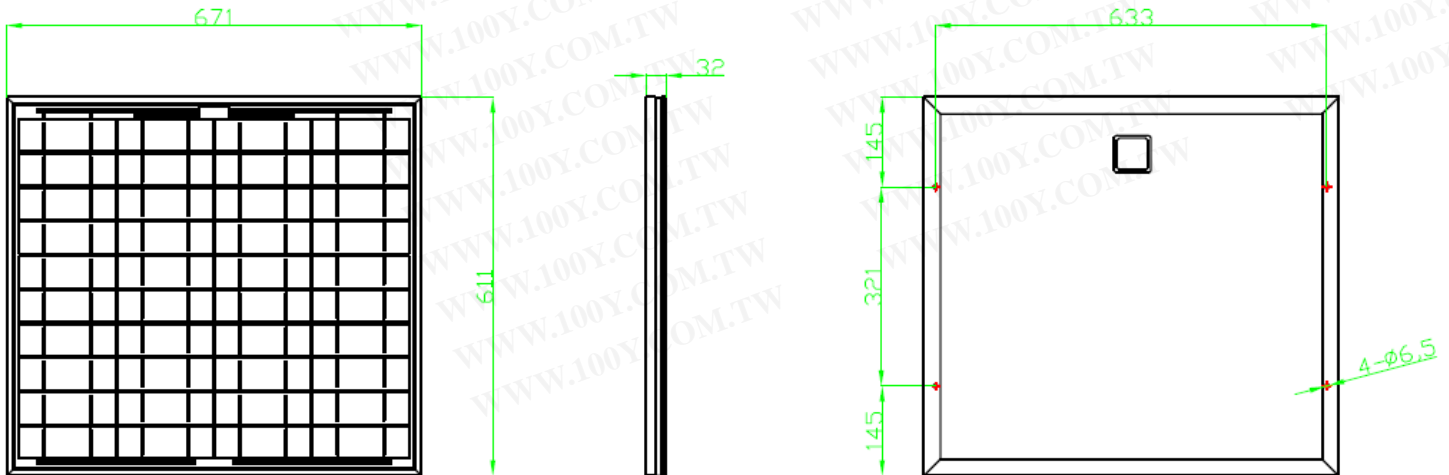
Solar Module: MyECO PM50 Series
(PM45/PM50/PM55, 6" Polycrystalline Solar Cell, 1/3-sized, 4x10pcs)

Front View

勝特力材料 886-3-5753170
勝特力电子(上海) 86-21-34970699
勝特力电子(深圳) 86-755-83298787
[Http://www.100y.com.tw](http://www.100y.com.tw)



Technical Drawing



For the sake of our planet earth, please think again before you print.

Ver.2-1 02/2010  myeco
Green RITEK

Electrical Characteristics: Performance at STC*1

Model Type	PM45	PM50	PM55	
Nominal Peak Power, Pmax	45W ± 5%	50W ± 5%	55W ± 5%	
Peak Power Voltage, Vpm	18.65 V	18.69 V	19.52 V	
Peak Power Current, Ipm	2.48 A	2.54 A	2.69 A	
Open Circuit Voltage, Voc	24.02 V	24.06 V	24.86 V	
Short Circuit Current, Isc	2.67 A	2.73 A	2.87 A	
Module Efficiency	10.98%	12.20%	13.42%	

*STC: Standard Test Condition, 1000W/m², AM 1.5, 25°C

Thermal Characteristics

NOCT (Nominal Operating Cell Temperature)	44.2°C
Temperature Coefficient TK Pmax (Peak Power)	-0.52%/°C
Temperature Coefficient TK Voc (Open Circuit Voltage)	-0.37%/°C
Temperature Coefficient TK Isc (Short Circuit Current)	+0.07%/°C

Physical Specifications

Dimension [L x W x H]	611 x 671 x 32 mm
Weight (Kg)	6 Kg

Current-Voltage Characteristics (I-V Curve) at various irradiance levels

(Data in preparation)



勝特力材料 886-3-5753170
 勝特力电子(上海) 86-21-34970699
 勝特力电子(深圳) 86-755-83298787
[Http://www.100y.com.tw](http://www.100y.com.tw)

Component materials

Cell Qty per Module	1/3-sized 40pcs
Cell Type	Polycrystalline Silicon
Cell Dimensions	156 x 52mm
Laminate Construction	Front: Tempered Glass Encapsulation: Solar Cells Embedded in EVA (Ethylene-Vinyl-Acetate) Rear: Tedlar
Glass	Low-Iron Tempered Glass, 3.2mm (>3.2mm, ex. 4mm or above, custom-made possible)
Junction Box	IP65 Junction Box (TUV Certified)
Frame	Anodized Aluminum Frame. Color: Silver

Certification

ISO 9001:2000 Quality Management	Certified
IEC 61215:2005	TUV certified
EN 61730-1 & EN 61730-2:2007	TUV certified

Quality Assurance

1. Electrical Insulation Test	2. Outdoor Exposure Test
3. Hot-Spot Endurance Test	4. UV-exposure
5. Thermal Cycling Test	6. Humidity Freeze Test
7. Damp Heat Test	8. Robustness of Terminations Test
9. Wet Leakage Current Test	10. Mechanical Load Test
11. Hail Impact Test	12. Bypass Diode Thermal Test



Packing Specifications

Modules Per Carton	2pcs/carton
--------------------	-------------

Performance Warranty

90% Output	10Years
------------	---------

勝特力材料 886-3-5753170
勝特力电子(上海) 86-21-34970699
勝特力电子(深圳) 86-755-83298787
[Http://www.100y.com.tw](http://www.100y.com.tw)