

PEW / PES

Signal Light



LED



85dB at 1m
(PEW-B only)

Electronic Sound 1
(PEW-B only)

∅82

IP55*

**NPN
Open collector**

*PES: IP55 with rubber gasket SZ-210 (IP23 without SZ-210)

*PEW: IP54 (IP23 : Using the side wire exit)



Optional
Rubber Gasket
SZ-210

Dome shape LED Signal Light featuring enhanced visibility and maintenance-free operation.

- Newly Developed Triple-reflection System: For enhanced visibility and low power consumption.
- Flashing Cycles: 3 patterns —60/120/180 fpm, selectable by a switch.
- PEW-B type: Built-in audible alarm with adjustable volume up to 85dB at 1m.
- Maintenance-free: LED's power consumption is approx. half of incandescent bulb type (100V/200V AC).
- Installation: Indoors—upright, inverted, sideways; Outdoors—upright only.
- Dome: Superior weather resistant and light translucent acrylic resin.
- PEW: IP54 (IP23 : Using the side wire exit); PES: IP55 (with optional rubber gasket SZ-210, IP23 without SZ-210).
- CE Compliance: 24V AC/DC type ONLY.
- Available Colors: Red, Amber, Green, Blue.

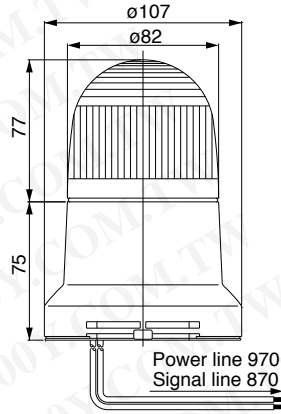
Available by Special Order

- Silver Color Body.
- IP65: PEW type only.
- UL type (E215660).

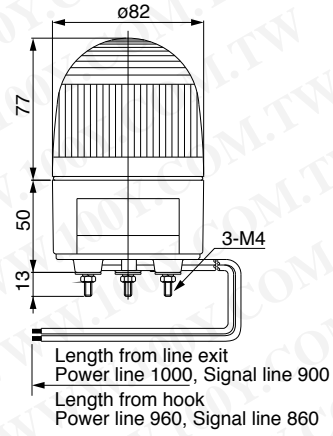


Dimensions (PEW, PES)

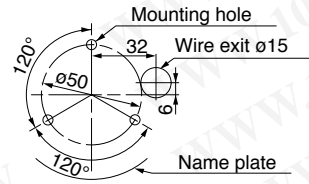
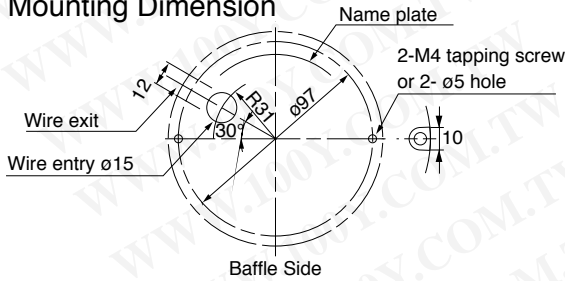
PEW



PES



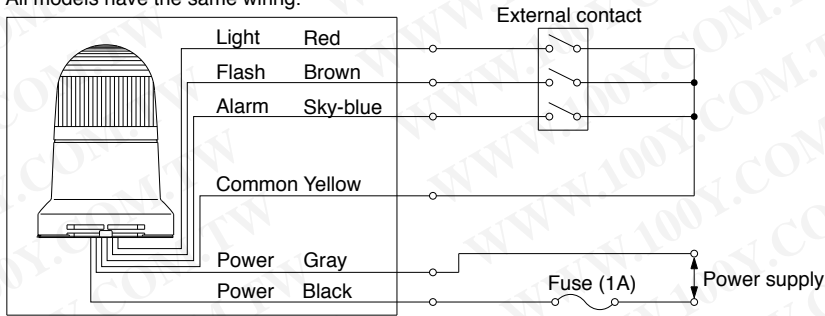
Mounting Dimension



(Unit: mm)

Wiring Diagram

All models have the same wiring.



* Skyblue line exists on buzzer type only.

Transistor Operation Example

Transistor	NPN	Voltage proof	$V_c \geq 35V$
Current capacity	$I_c \geq 100mA$	Current leak	$I_L \leq 1mA$

PEW/PES Type

Model	Rated Voltage	Power Consumption	Flash Frequency	Mass	
PEW-24 R/Y G/B	24V AC/DC	2.5W	Approx. 180 times/minute	0.32kg	
PES-24 R/Y G/B		1.5W		0.24kg	
PEW-24B R/Y G/B		2.5W		0.34kg	
PEW-100 R/Y G/B	100V AC	5.8W		Approx. 120 times/minute	0.52kg
PES-100 R/Y G/B		4.7W			0.43kg
PEW-100B R/Y G/B		5.8W			0.54kg
PEW-120 R/Y G/B	120V AC	4.9W	Approx. 60 times/minute		0.52kg
PES-120 R/Y G/B		4.7W			0.43kg
PEW-120B R/Y G/B		4.9W			0.54kg
PEW-200 R/Y G/B	200V AC	5.6W		Approx. 60 times/minute	0.52kg
PES-200 R/Y G/B		4.7W			0.43kg
PEW-200B R/Y G/B		5.6W			0.54kg
PEW-230 R/Y G/B	230V AC	5.3W	Approx. 60 times/minute		0.52kg
PES-230 R/Y G/B		4.7W			0.43kg
PEW-230B R/Y G/B		5.3W			0.54kg

How to Order

