

# 承認書

## Samples approval sheet

元件名稱 (Production name) : 1W 暖白光

型號 (Model) : **LS-1W/GH-UWWC**

編號 (Part number) :

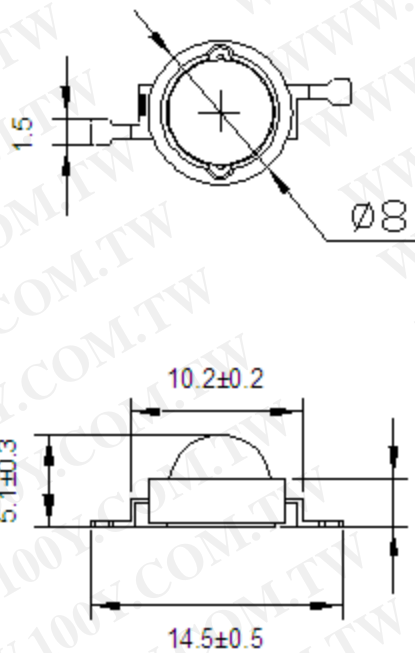
日期 (Date) :

型號 Model :

LS-1W/GH-UWWC

頁碼 Page : 1

一、外形圖 Outline dimensions :



單位 Unit	公差 Tolerance	晶片材料 Die material	膠體顏色 Lens color	發光顏色 Emission color
mm	±0.2mm	InGaN	透明	暖白色

型號 Model :

LS-1W/GH-UWVC

頁碼 Page : 2

## 二、光電參數 Photoelectricity Parameter

(環境溫度 Ambient temperature : 25°C 濕度 humidity : RH60%)

項目 Item	符號 Symbol	測試條件 Test condition	最小值 Min	典型值 Type	最大值 Max	單位 Unit
正向電壓 Forward voltage	VF	IF=350mA	3.2	—	3.8	V
反向電流 Reverse current	IR	VR=5V	—	—	10	μA
發光強度 Luminous intensity	IV	IF=350mA	100	—	110	LM
Correlated Color Temperature	λd	IF=350mA	3000	—	3500	K
光譜半寬度 Spectrum line half width	Δλ	IF=350mA	—	60	—	nm
視角 Viewing Angle	2θ 1/2	IF=350mA	—	140	—	deg

備註：亮度測試公差±10%、波長測試公差±3nm、正向電壓測試公差±0.2V

The tolerance of intensity:±10%, The tolerance of wave length:±3nm, The tolerance of forwards voltage: ±0.2V.  
 reference for above data when testing.

Remark :  
 Only

## 三、極限參數 Absolute Maximum Rating

(環境溫度 Ambient temperature : 25°C 濕度 humidity : RH60%)

項目 Item	符號 Symbol	數值 Value	單位 Unit	備註 Remark
正向電流 Forward Current	IF	350	mA	---
正向峰值電流 Peck forward current	IFM	1000	mA	F=1KHZ, 占空比(duty cycle) 1/10
反向耐壓 Reverse Voltage	VR	5	V	---
耗散功率 Power Dissipation	Pm	---	mW	---
工作環境溫度 Operation temperature	Tamb	-25 至 +85	°C	---
貯藏溫度 Storage temperature	Tstg	-40 至 +60	°C	---
焊接溫度 Soldering temperature	Tsol	280	°C	焊接, ≤3S Soldering, ≤3S

#### 四、防靜電措施 ESD countermeasure

靜電及高壓會對 LED 造成損壞，特別是晶片材質為綠色和藍色的產品對靜電防護要求更加嚴格，要求在使用和檢驗產品時戴防靜電手腕帶或防靜電手套，焊接工具及設備外殼需可靠接地，焊接條件遵循此份規格書中的條件。

Static electricity and high volt can damage led , The production whose Die material is Green and blue must strictly required to prevent ESD , Must put on static glove and static fillet , Soldering tool and the cover of device must connect the ground , soldering condition follows the related stating of production specification manual .

#### 五、過電流保護 Protecting countermeasure when over current

為避免由於電壓的變化引起大電流衝擊而造成產品損壞，需要加入保護電阻。

Need add the protecting resistor in circuit in order to avoid damaging led due to big current and voltage fluctuation .

#### 六、LED 安裝方法 LED installation method

1) 注意各類器件外線的排列以防極性裝錯，器件不可與發熱元件靠得太近，工作條件不要超過其規定的極限。  
Pay attention to the led polarity and avoid installation wrong . Led can't be close to euthermic component , work condition should tally with it's specification .

2) 在焊接溫度回到正常以前，必須避免使 LED 受到任何的震動或外力。

Must avoid any strike and force on led before the soldering temperature return to room temperature .

#### 七、存儲時間 Storage time

1) 在溫度 5°C ~ 35°C，濕度 RH60% 條件下，產品可保存一年。超過保存期的產品需重新檢測後方能使用。

Led can be stored for a year under the condition: the temperature of 5°C ~ 35°C and humidity of RH60% , These production must be re-inspected and tested before use if their storage time exceed a year .

2) 如果打開的產品在 5°C ~ 35°C，RH60% 的空氣條件下放置超過一周，則需要將產品在 65°C ± 5°C 的環境中放置 24 小時以上，並儘量在十五天內使用。

If led is exposed in air for a week under the condition: the temperature of 5°C ~ 35°C , humidity of RH60% , must place the led in the ambience of 65°C ± 5°C for 24 hours and use it in 15 days for best .

#### 八、清洗 Cleaning

當用化學用品清洗膠體時必須特別小心，因為有些化學品對膠體表面有損傷並引起褪色如三氯乙烯、丙酮等。

可用乙醇擦拭、浸漬，時間在常溫下不超過 3 分鐘。

Be careful of some chemical results in the led colloid fades and damage when using chemical clean the led , such as chloroethylene, acetone etc . can use ethanol to wash or soak led but the time don't exceed 3 minutes.