

承 認 書

Samples approval sheet

元件名稱 (Production name) : 1W 翠綠色

型 號 (Model) : **LS-1W/GH-UPGC**

編 號 (Part number) :

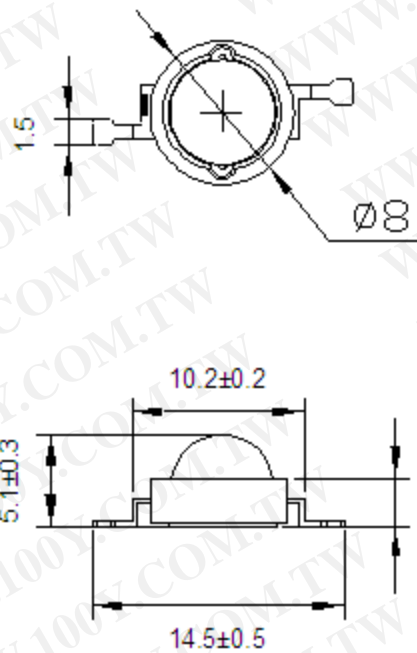
日 期 (Date) :

型 號 Model :

LS-1W/GH-UPGC

頁 碼 Page : 1

一、外形圖 Outline dimensions :



| 單位 Unit | 公差 Tolerance | 晶片材料 Die material | 膠體顏色 Lens color | 發光顏色 Emission color |
|------------|-----------------|----------------------|--------------------|------------------------|
| mm | ±0.2mm | InGaN | 透明 | 翠綠色 |

型號 Model :

LS-1W/GH-UPGC

頁碼 Page : 2

二、光電參數 Photoelectricity Parameter

(環境溫度 Ambient temperature : 25°C 濕度 humidity : RH60%)

| 項目 Item | 符號 Symbol | 測試條件 Test condition | 最小值 Min | 典型值 Type | 最大值 Max | 單位 Unit |
|-----------------------------------|--------------|------------------------|------------|-------------|------------|------------|
| 正向電壓 Forward voltage | VF | IF=350mA | 3.2 | — | 3.4 | V |
| 反向電流 Reverse current | IR | VR=5V | — | — | 10 | μA |
| 發光強度 Luminous intensity | IV | IF=350mA | 150 | — | 160 | LM |
| CorrelatedColorTemperature | λ d | IF=350mA | 517 | — | 520 | nm |
| 光譜半寬度 Spectrum line half width | Δ λ | IF=350mA | — | 60 | — | nm |
| 視角 Viewing Angle | 2θ 1/2 | IF=350mA | — | 140 | — | deg |

備註：亮度測試公差±10%、波長測試公差±3nm、正向電壓測試公差±0.2V

The tolerance of intensity:±10%, The tolerance of wave length:±3nm, The tolerance of forwards voltage: ±0.2V.
 reference for above data when testing.

Remark :
 Only

三、極限參數 Absolute Maximum Rating

(環境溫度 Ambient temperature : 25°C 濕度 humidity : RH60%)

| 項目 Item | 符號 Symbol | 數值 Value | 單位 Unit | 備註 Remark |
|---------------------------------|--------------|-------------|------------|------------------------------|
| 正向電流 Forward Current | IF | 350 | mA | --- |
| 正向峰值電流 Peck forward current | IFM | 1000 | mA | F=1KHZ, 占空比(duty cycle) 1/10 |
| 反向耐壓 Reverse Voltage | VR | 5 | V | --- |
| 耗散功率 Power Dissipation | Pm | --- | mW | --- |
| 工作環境溫度 Operation temperature | Tamb | -25 至+85 | °C | --- |
| 貯藏溫度 Storage temperature | Tstg | -40 至+60 | °C | --- |
| 焊接溫度 Soldering temperature | Tsol | 280 | °C | 焊接, ≤3S Soldering, ≤3S |

四、防靜電措施 ESD countermeasure

靜電及高壓會對 LED 造成損壞，特別是晶片材質為綠色和藍色的產品對靜電防護要求更加嚴格，要求在使用和檢驗產品時戴防靜電手腕帶或防靜電手套，焊接工具及設備外殼需可靠接地，焊接條件遵循此份規格書中的條件。

Static electricity and high volt can damage led , The production whose Die material is Green and blue must strictly required to prevent ESD , Must put on static glove and static fillet , Soldering tool and the cover of device must connect the ground , soldering condition follows the related stating of production specification manual .

五、過電流保護 Protecting countermeasure when over current

為避免由於電壓的變化引起大電流衝擊而造成產品損壞，需要加入保護電阻。

Need add the protecting resistor in circuit in order to avoid damaging led due to big current and voltage fluctuation .

六、LED 安裝方法 LED installation method

1) 注意各類器件外線的排列以防極性裝錯，器件不可與發熱元件靠得太近，工作條件不要超過其規定的極限。
Pay attention to the led polarity and avoid installation wrong . Led can't be close to euthermic component , work condition should tally with it's specification .

2) 在焊接溫度回到正常以前，必須避免使 LED 受到任何的震動或外力。

Must avoid any strike and force on led before the soldering temperature return to room temperature .

七、存儲時間 Storage time

1) 在溫度 5°C ~ 35°C，濕度 RH60%條件下，產品可保存一年。超過保存期的產品需重新檢測後方能使用。

Led can be stored for a year under the condition: the temperature of 5°C ~ 35°C and humidity of RH60% , These production must be re-inspected and tested before use if their storage time exceed a year .

2) 如果打開的產品在 5°C ~ 35°C，RH60%的空氣條件下放置超過一周，則需要將產品在 65°C±5°C的環境中放置 24 小時以上，並儘量在十五天內使用。

If led is exposed in air for a week under the condition: the temperature of 5°C ~ 35°C , humidity of RH60% , must place the led in the ambience of 65°C±5°C for 24 hours and use it in 15 days for best .

八、清洗 Cleaning

當用化學用品清洗膠體時必須特別小心，因為有些化學品對膠體表面有損傷並引起褪色如三氯乙烯、丙酮等。

可用乙醇擦拭、浸漬，時間在常溫下不超過 3 分鐘。

Be careful of some chemical results in the led colloid fades and damage when using chemical clean the led , such as chloroethylene, acetone etc . can use ethanol to wash or soak led but the time don't exceed 3 minutes.