

JOINSCAN LEDs

A5628SF	0.56 INCH DUAL DIGIT STANDARD BLUE COMMON ANODE		
SURFACE COLOR	BLACK SURFACE WHITE SEGMENT		GRAY SURFACE WHITE SEGMENT
MODEL NO.	A5628SF - BW		A5628SF - GW
EMITTING COLOR	BLUE		勝特力材料 886-3-5753170 勝特力电子(上海) 86-21-34970699 勝特力电子(深圳) 86-755-83298787 Http://www.100y.com.tw
DICE	Sic		

ABSOLUTE MAXIMUM RATINGS (最大極限值)

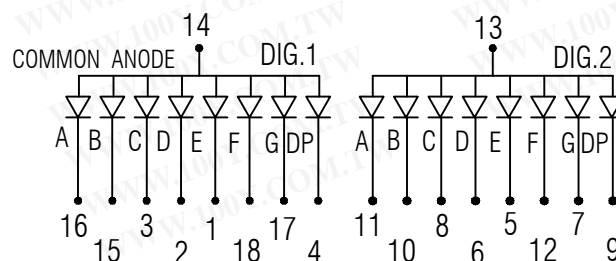
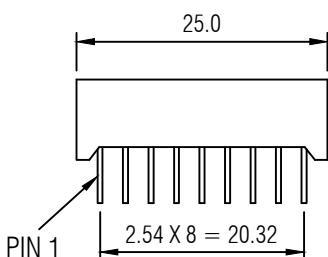
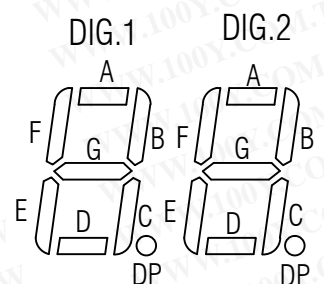
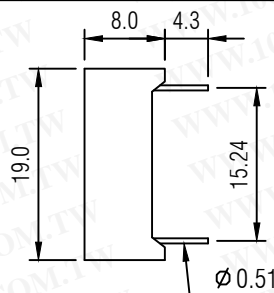
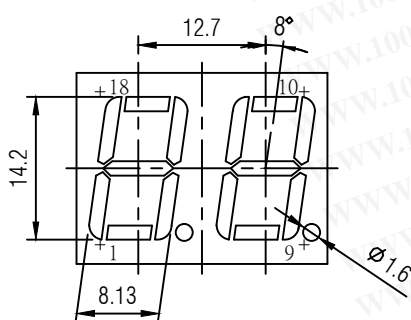
TA = 25°C

PARAMETER	SYMBOL	RATING	UNIT
POWER DISSIPATION	P AD	120	mW
DERATING LINEAR FROM 25°C		0.4	m/°C
CONTINUOUS FORWARD CURRENT	I AF	30.0	mA
PEAK FORWARD CURRENT (DUTY CYCLE 1/10, 10KHZ)	I PF	100.0	mA
REVERSE VOLTAGE	V R	5.0	V
OPERATING TEMPERATURE	T OPR	-25°C TO + 85°C	
STORAGE TEMPERATURE	T STG	-25°C TO + 85°C	
SOLDER TEMPERATURE 1/16 INCH BELOW SEATING PLANE FOR 5 SECONDS AT 250°C			

ELECTRO - OPTICAL CHARACTERISTICS (電性)

TA = 25°C

PARAMETER	SYMBOL	CONDITION	MIN	TYP	MAX	UNIT
FORWARD VOLTAGE	V F	I F = 20mA	—	3.6	—	V
LUMINOUS INTENSITY	I V	I F = 20mA	—	30.0	—	mcd
PEAK EMISSION WAVELENGTH	λP	I F = 20mA	—	465±5	—	nm
REVERSE CURRENT	I P	I F = 5mA	—	—	100	μA



UNIT : mm
 TOLERANCE : ± 0.2mm
 Amended Date :
 2003 / NOV / 06 / 15 : 51